

US00D978945S

(12) **United States Design Patent**  
**Jin et al.**

(10) **Patent No.:** **US D978,945 S**

(45) **Date of Patent:** **\*\* Feb. 21, 2023**

(54) **DELIVERY ROBOT**

(56) **References Cited**

(71) Applicant: **Ninebot (Beijing) Tech Co., Ltd.**,  
Beijing (CN)

(72) Inventors: **Zheng Jin**, Beijing (CN); **Lei Liu**,  
Beijing (CN); **Yixue Xu**, Beijing (CN);  
**Chenxi Song**, Beijing (CN); **Yang Li**,  
Beijing (CN)

U.S. PATENT DOCUMENTS

|              |    |   |         |       |       |                        |
|--------------|----|---|---------|-------|-------|------------------------|
| D908,151     | S  | * | 1/2021  | Song  | ..... | D15/199                |
| D918,281     | S  | * | 5/2021  | Kong  | ..... | D15/199                |
| D919,687     | S  | * | 5/2021  | Song  | ..... | D15/199                |
| D934,934     | S  | * | 11/2021 | Park  | ..... | D15/199                |
| D961,646     | S  | * | 8/2022  | Kong  | ..... | D15/199                |
| 2015/0073589 | A1 | * | 3/2015  | Khodl | ..... | B65G 1/1375<br>700/218 |
| 2019/0352092 | A1 | * | 11/2019 | Zheng | ..... | B25J 9/1697            |

(\*\*) Term: **15 Years**

\* cited by examiner

(21) Appl. No.: **35/514,264**

*Primary Examiner* — Patricia A Palasik

(22) Filed: **Apr. 18, 2022**

(80) **Hague Agreement Data**

Int. Filing Date: **Apr. 18, 2022**  
Int. Reg. No.: **DM/220479**  
Int. Reg. Date: **Apr. 18, 2022**  
Int. Reg. Pub. Date: **May 13, 2022**

(57) **CLAIM**

The ornamental design for a delivery robot, as shown and described.

(30) **Foreign Application Priority Data**

Oct. 28, 2021 (CN) ..... 202130708315.2

(51) **LOC (14) Cl.** ..... **15-99**

(52) **U.S. Cl.**  
USPC ..... **15/199**

(58) **Field of Classification Search**  
USPC ..... D12/1; D15/199; D21/578-583, 621,  
D21/622; D32/21; D34/34  
CPC ..... B25J 5/007; B60B 19/006; B62D 57/024;  
H01F 7/0221; Y10S 901/01

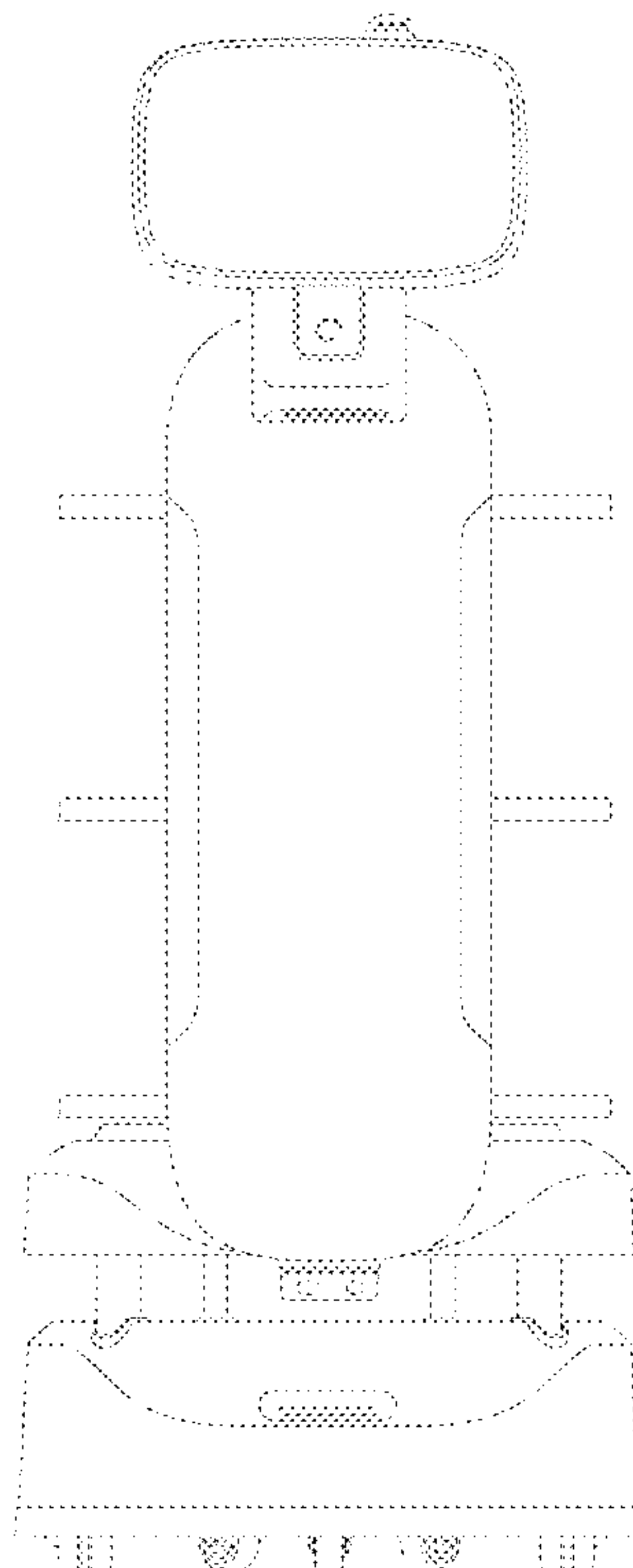
See application file for complete search history.

**DESCRIPTION**

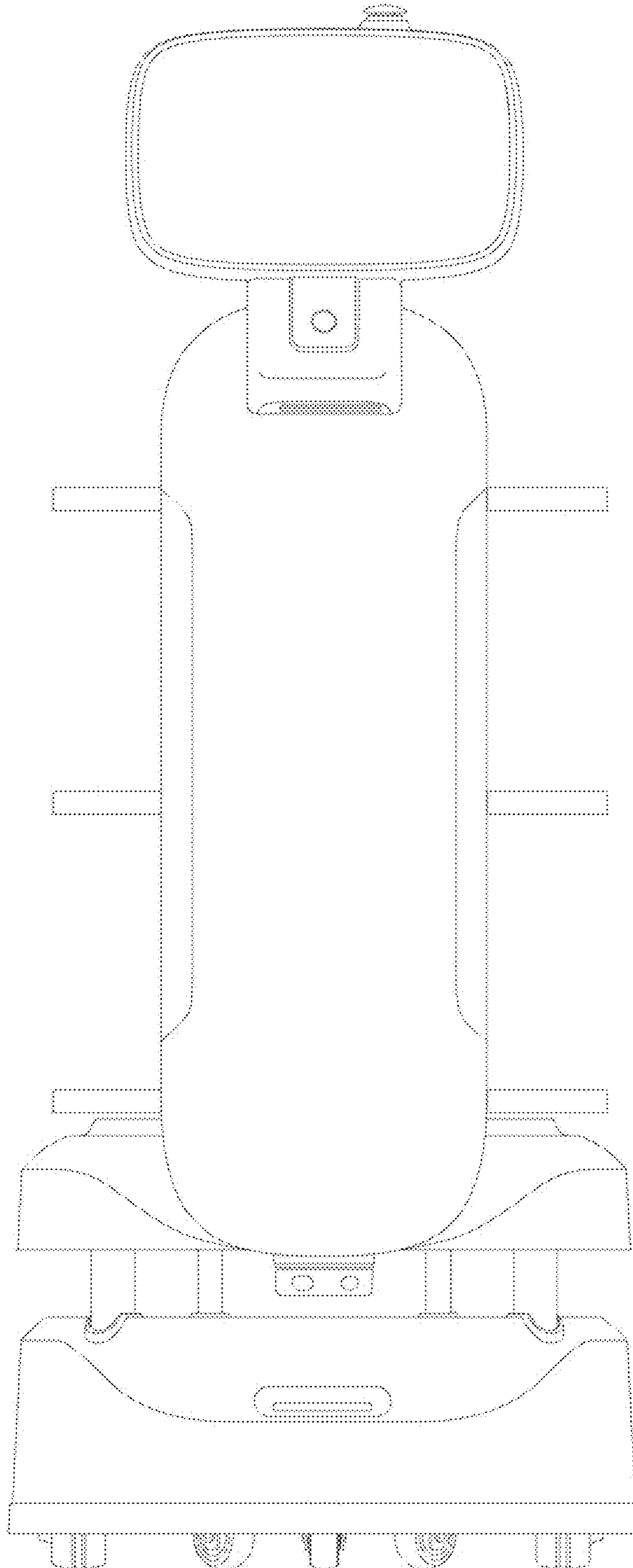
- 2. Delivery robot
- 2.1: Front
- 2.2: Back
- 2.3: Left
- 2.4: Right
- 2.5: Top
- 2.6: First Perspective View
- 2.7: Second Perspective View

The product is used for man-machine interaction, delivery, etc.; The bottom view of design 2 is omitted since it is difficult to see or cannot be seen during use.

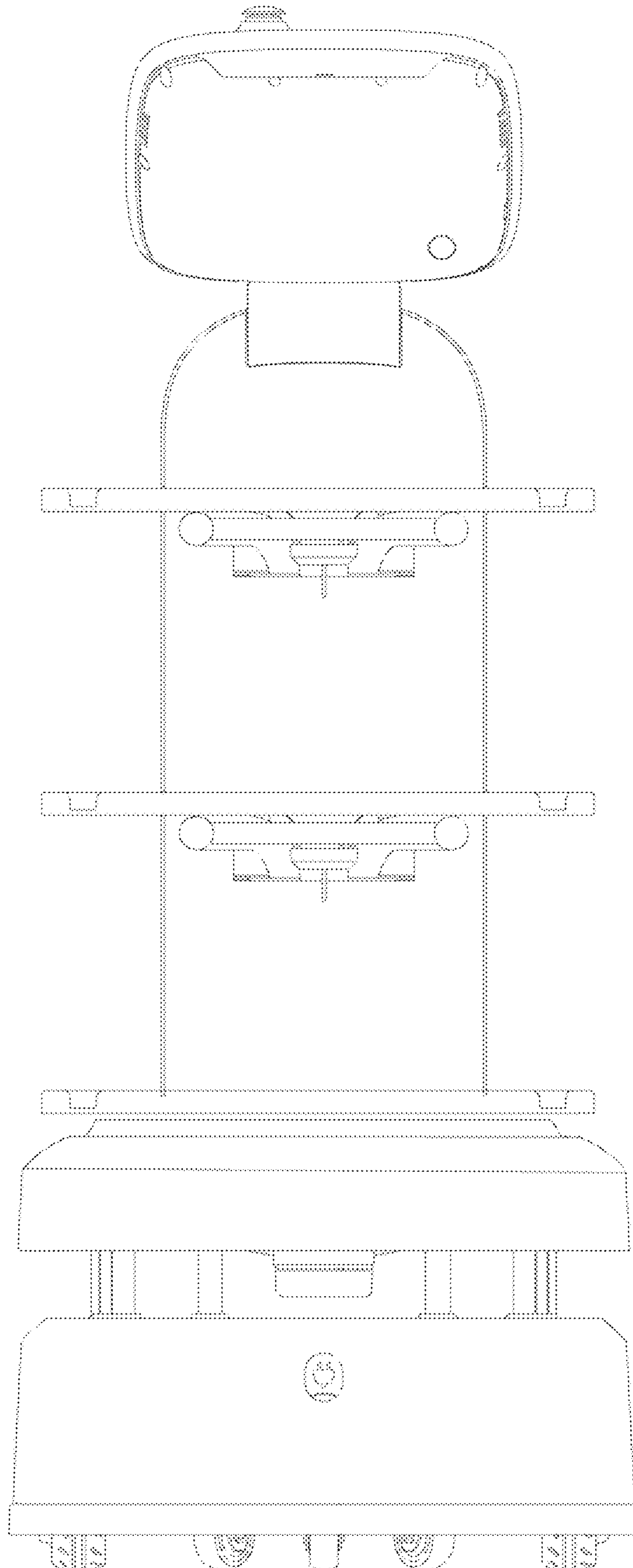
**1 Claim, 7 Drawing Sheets**



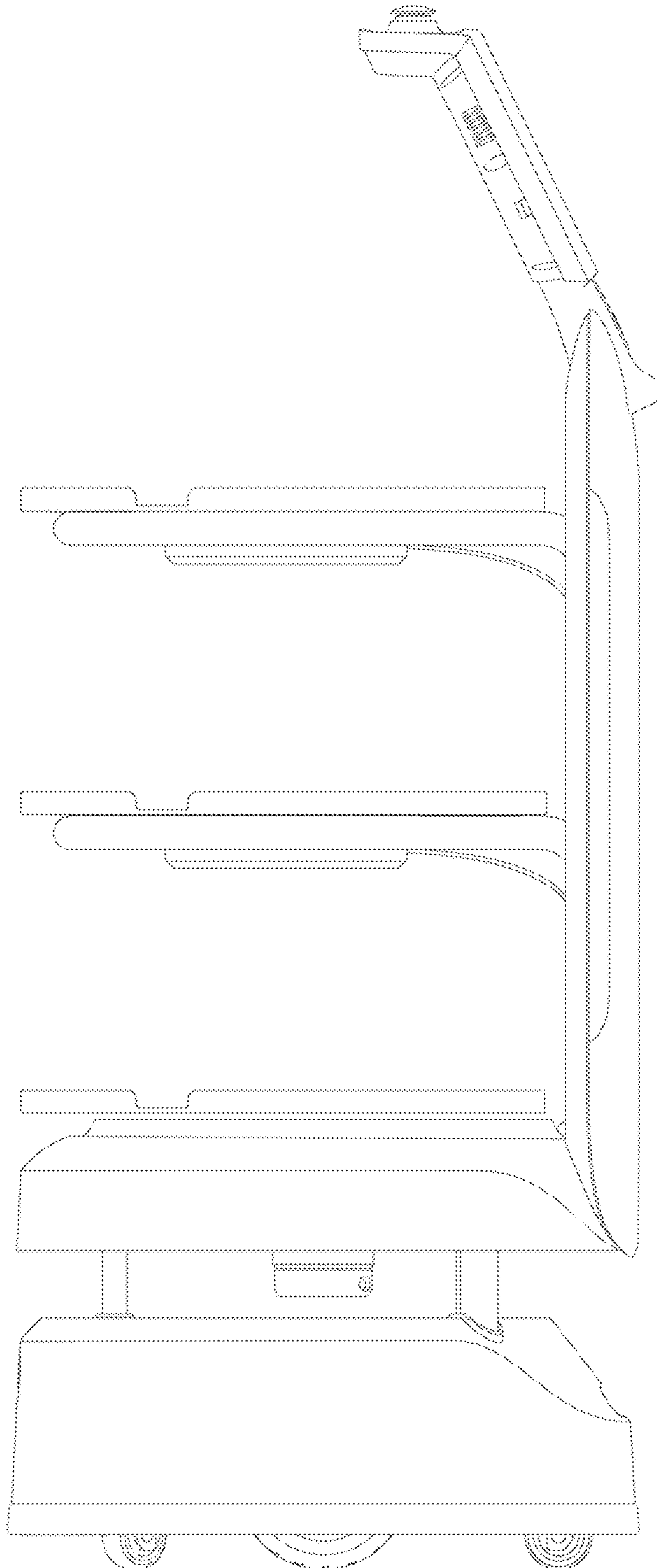
2.1



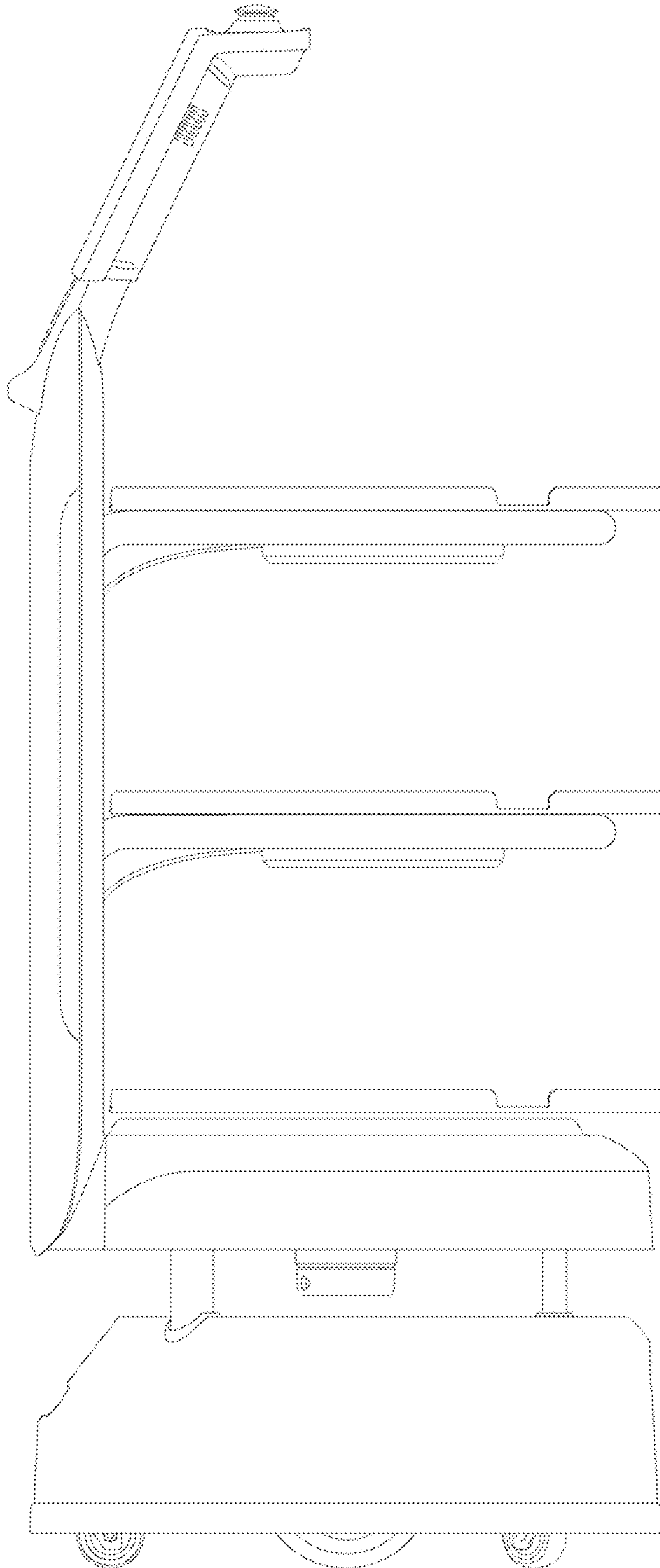
2.2



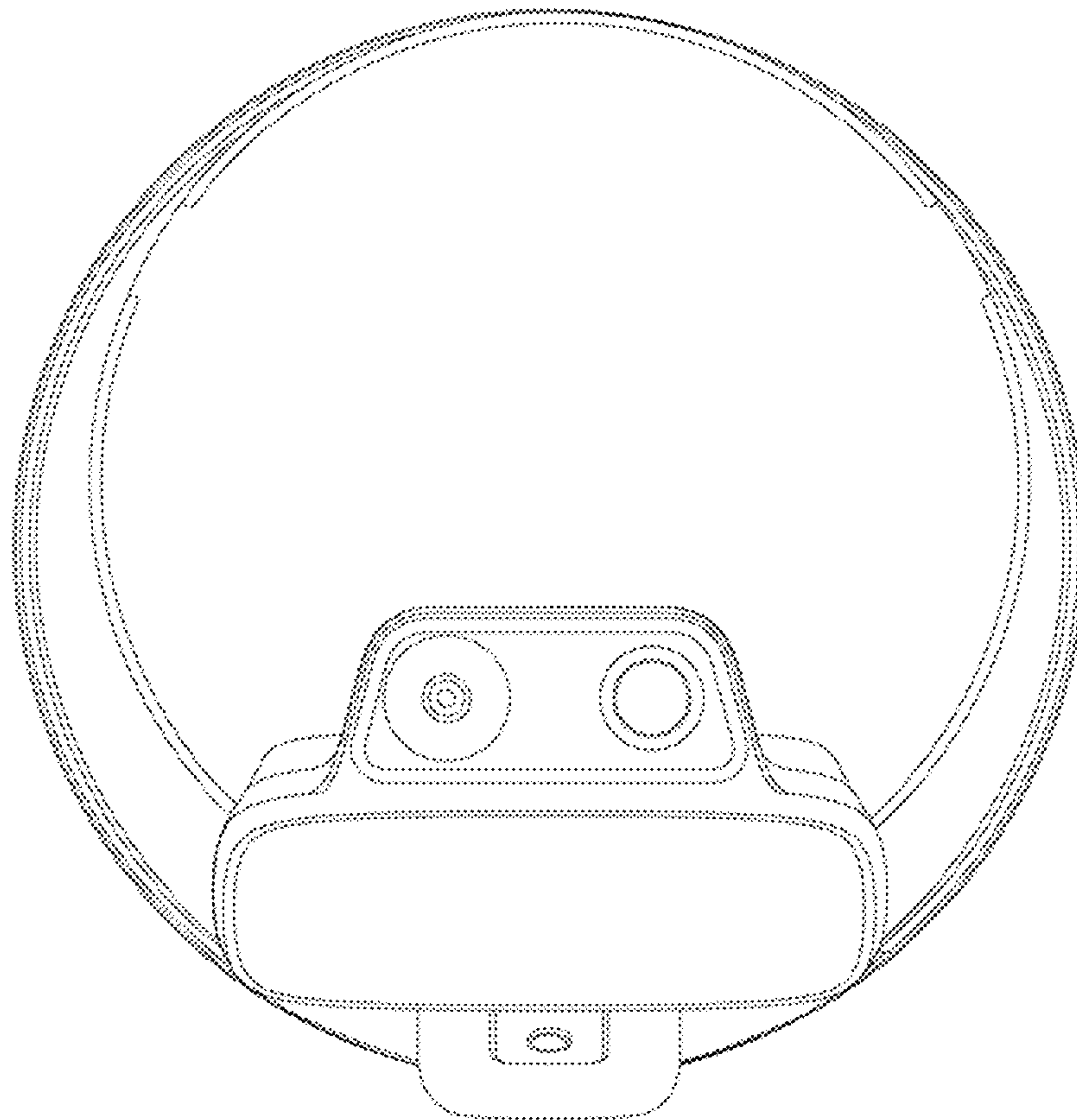
2.3



2.4

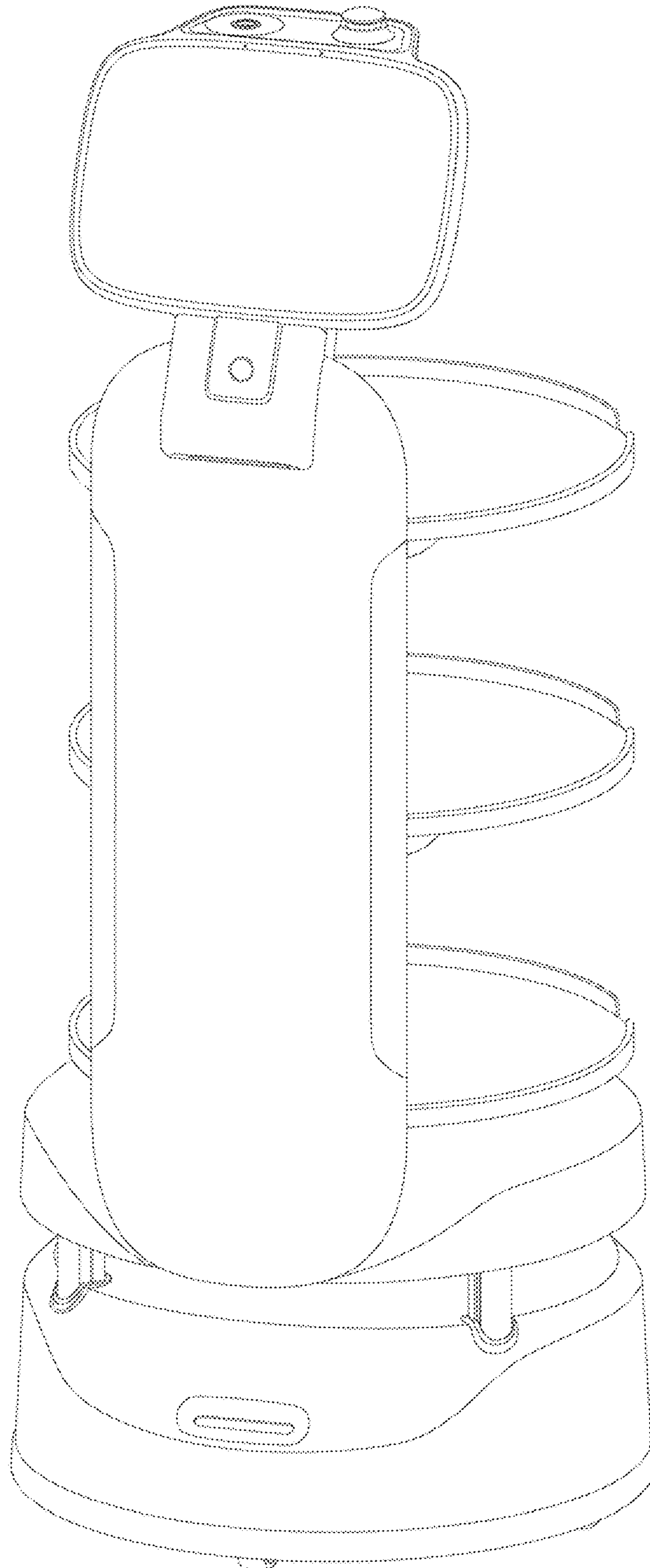


2.5





2.6



2.7

