

US00D978944S

(12) **United States Design Patent**
Chou

(10) **Patent No.:** **US D978,944 S**
(45) **Date of Patent:** **** Feb. 21, 2023**

- (54) **ROBOT**
- (71) Applicant: **FAROBOT INC.**, New Taipei (TW)
- (72) Inventor: **Sheng-Hao Chou**, New Taipei (TW)
- (73) Assignee: **FAROBOT INC.**, New Taipei (TW)
- (**) Term: **15 Years**
- (21) Appl. No.: **29/808,200**
- (22) Filed: **Sep. 17, 2021**
- (51) **LOC (14) Cl.** **15-99**
- (52) **U.S. Cl.**
USPC **D15/199**
- (58) **Field of Classification Search**
USPC D12/1; D15/199; D32/21; D34/12, 24,
D34/28, 34
CPC B25J 5/00; B25J 5/007; B60L 2200/44;
B66F 9/063; G05B 19/41895; G05D
1/027; G05D 1/0011; G05D 1/0231;
G05D 1/0242; G05D 2201/0216; Y10S
901/00; Y10S 901/01; Y10S 901/07;
Y10S 901/08
See application file for complete search history.

(56) **References Cited**

U.S. PATENT DOCUMENTS

D810,799 S *	2/2018	Sokuza	D15/199
D863,387 S *	10/2019	Wang	D15/199
D864,270 S *	10/2019	Hu	D15/199
D865,021 S *	10/2019	Hu	D15/199
D871,475 S *	12/2019	Kolb	D15/199
D871,477 S *	12/2019	Kolb	D15/199
D871,478 S *	12/2019	Wang	D15/199
D873,173 S *	1/2020	Brucker	D12/1
D873,174 S *	1/2020	Sokuza	D12/1
D879,852 S *	3/2020	Chen	D15/199
D880,550 S *	4/2020	Sokuza	D15/199

D886,173 S *	6/2020	Sokuza	D15/199
D886,174 S *	6/2020	Blomgren	D15/199
D887,468 S *	6/2020	Hirvesaar	D15/199
D896,858 S *	9/2020	Kapuria	D15/199
D898,790 S *	10/2020	Sokuza	D15/199
D899,475 S *	10/2020	Xiao	D15/199
D902,272 S *	11/2020	Cascajar	D15/199
D902,277 S *	11/2020	Sakaguchi	D15/199
D906,390 S *	12/2020	Kapuria	D15/199
D907,084 S *	1/2021	Kapuria	D15/199
D907,677 S *	1/2021	Mork	D15/199
D907,678 S *	1/2021	Cai	D15/199
D911,406 S *	2/2021	Srivastava	D15/199
D914,075 S *	3/2021	Sokuza	D15/199
D919,685 S *	5/2021	Fan	D15/199
D924,955 S *	7/2021	Hoshino	D15/199
D929,478 S *	8/2021	Mork	D15/199
D950,616 S *	5/2022	Kapuria	D15/199
2009/0035181 A1 *	2/2009	Chung	G01N 35/04 422/68.1

(Continued)

Primary Examiner — Patricia A Palasik
(74) *Attorney, Agent, or Firm* — ScienBiziP, P.C.

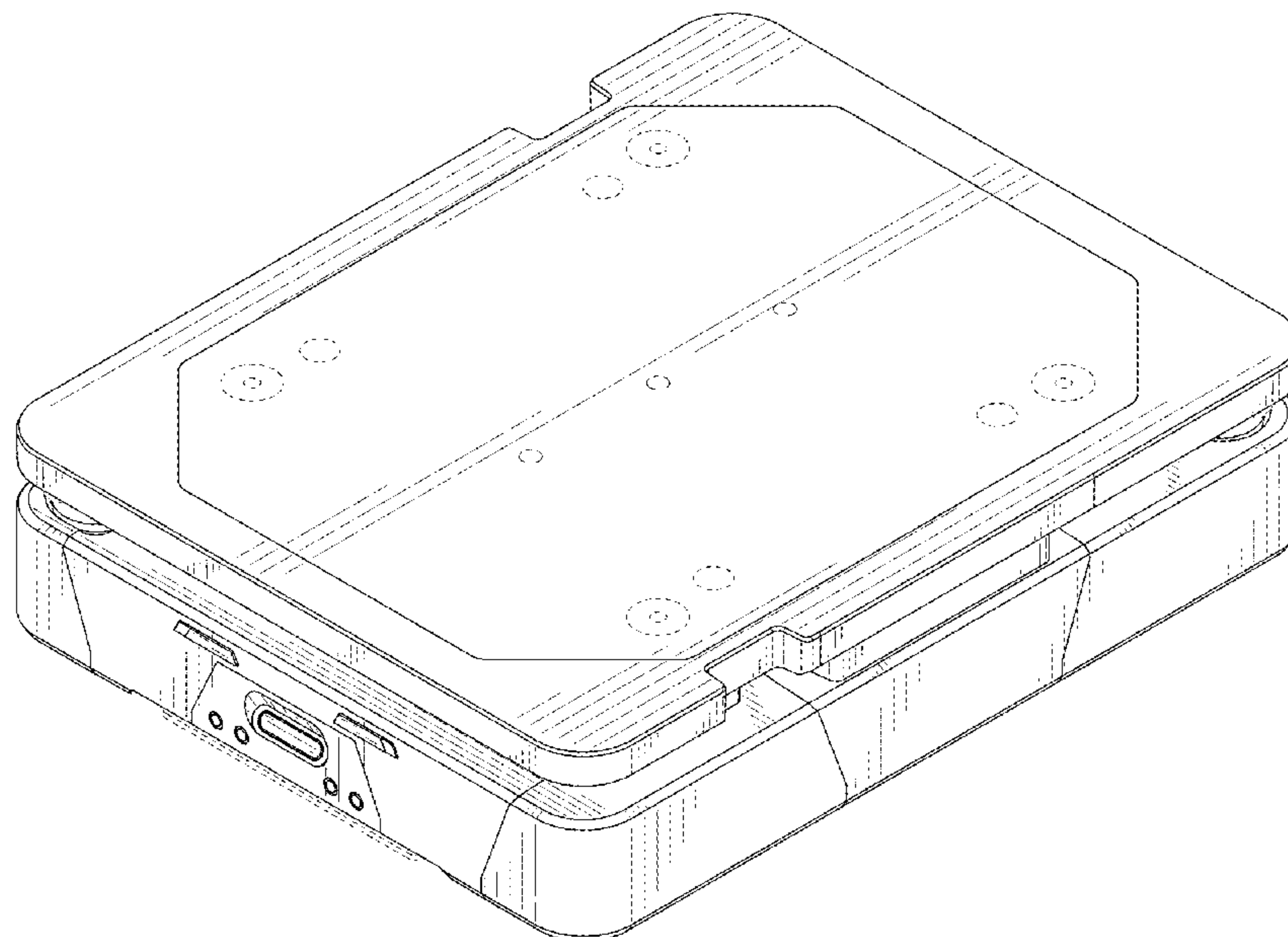
(57) **CLAIM**

The ornamental design for a robot, as shown and described.

DESCRIPTION

FIG. 1 is a front perspective view of a robot showing my design.
 FIG. 2 is a rear perspective view of the robot in FIG. 1.
 FIG. 3 is a front elevation view of the robot in FIG. 1.
 FIG. 4 is a rear elevation view of the robot in FIG. 1.
 FIG. 5 is a left side elevation view of the robot in FIG. 1.
 FIG. 6 is a right side elevation view of the robot in FIG. 1.
 FIG. 7 is a top plan view of the robot in FIG. 1; and,
 FIG. 8 is a bottom plan view of the robot in FIG. 1.
 The broken lines in the drawings are employed to show unclaimed portions of the robot, and form no part of the claimed design.

1 Claim, 8 Drawing Sheets



(56)

References Cited

U.S. PATENT DOCUMENTS

2013/0340529 A1* 12/2013 Lama G01N 29/226
901/1
2021/0178576 A1* 6/2021 Murphy B25J 19/023

* cited by examiner

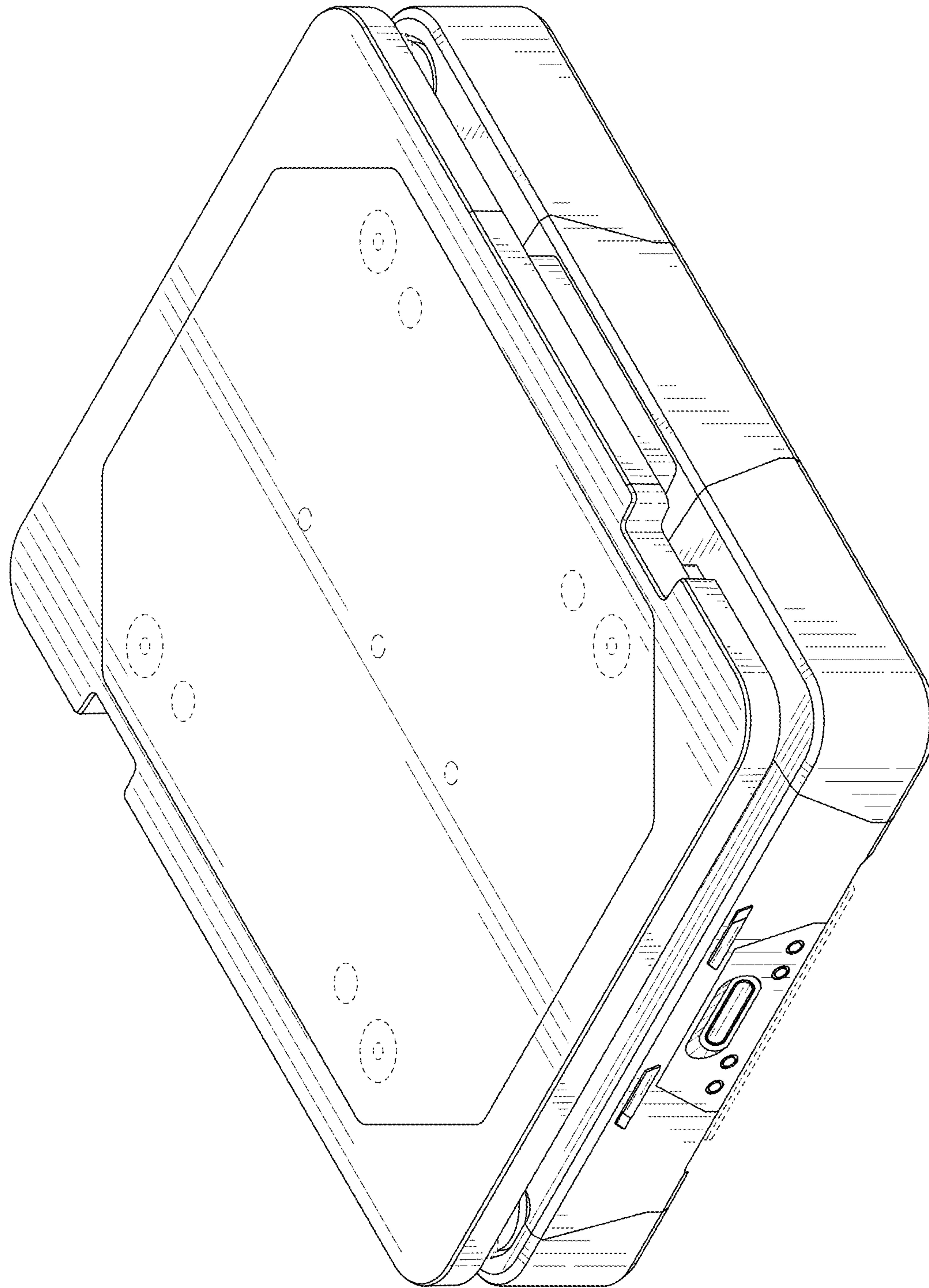


FIG. 1

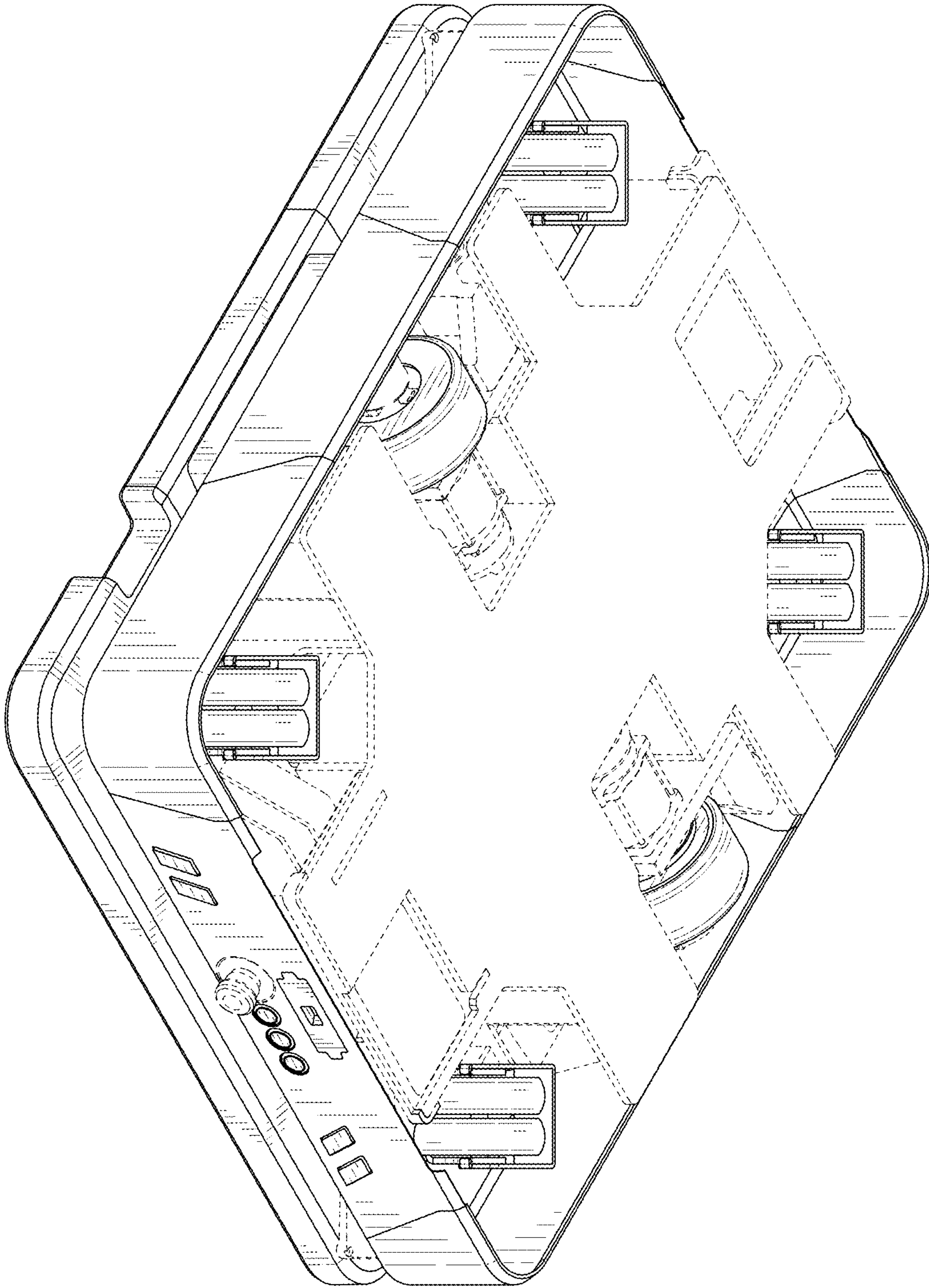


FIG. 2

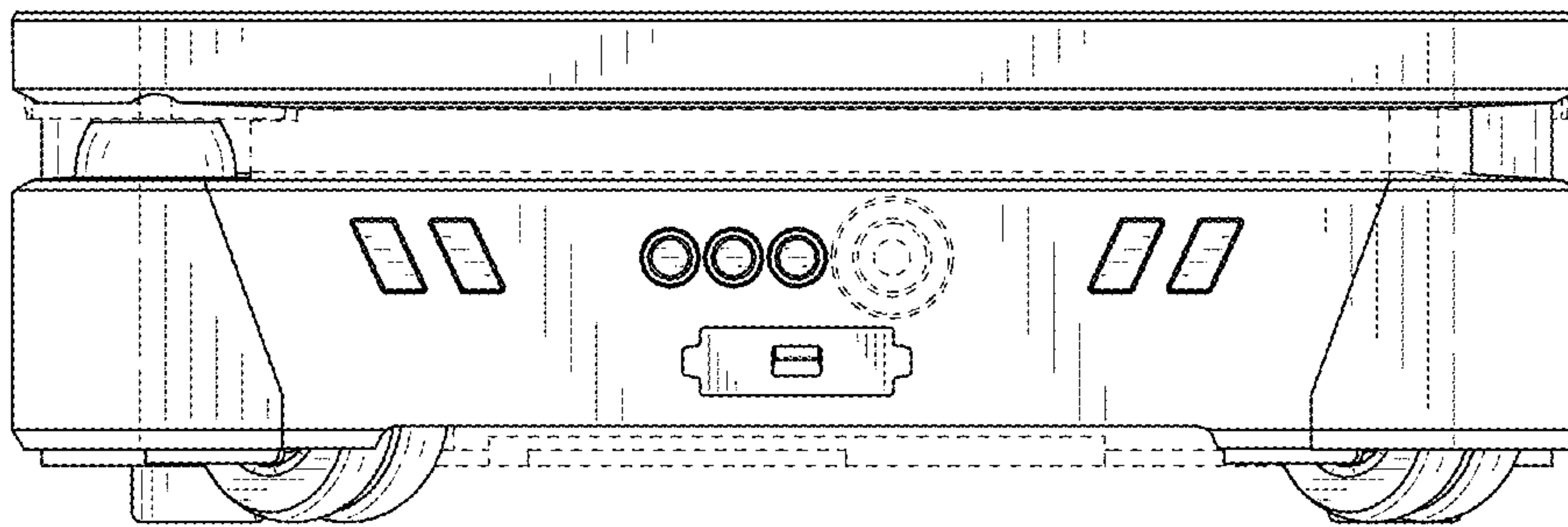


FIG. 3

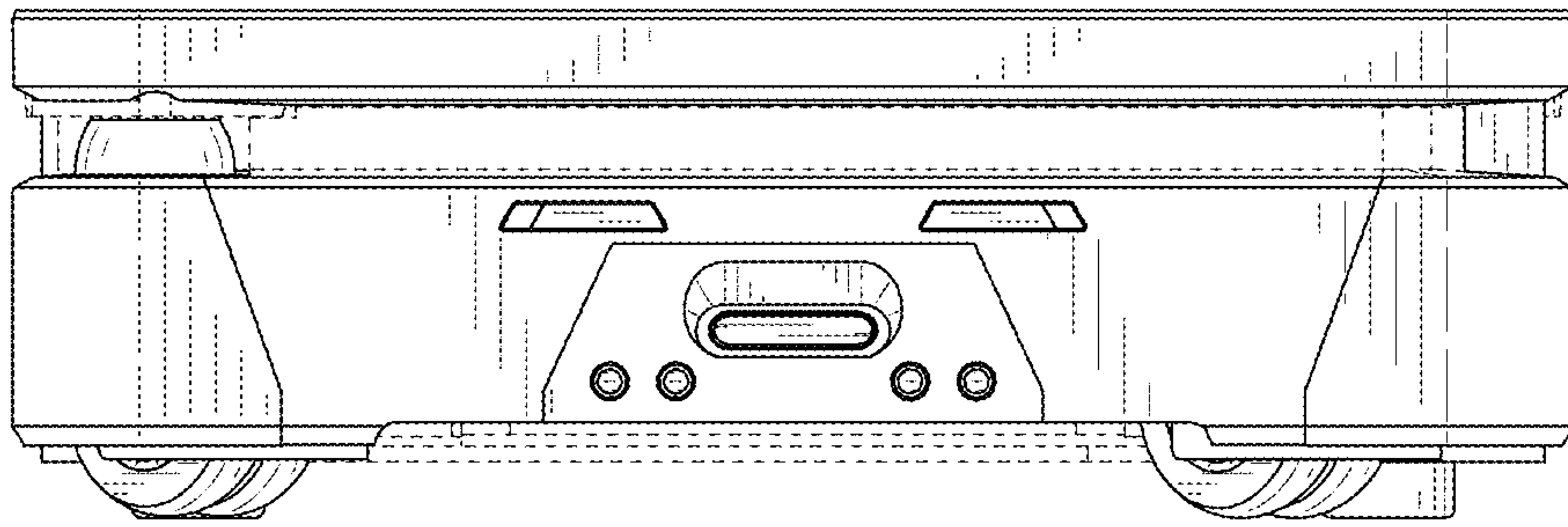


FIG. 4

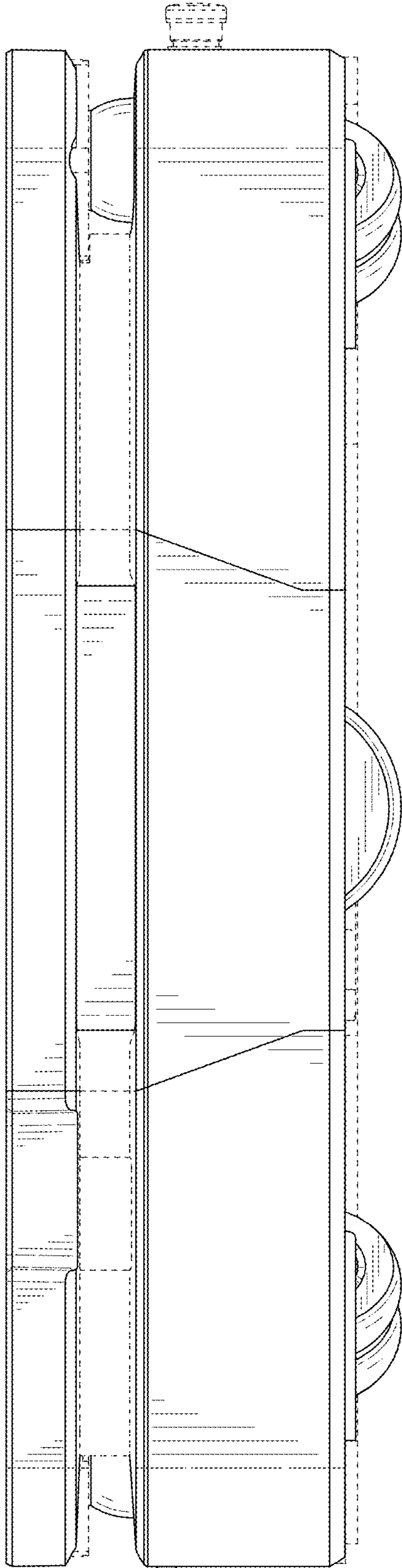


FIG. 5

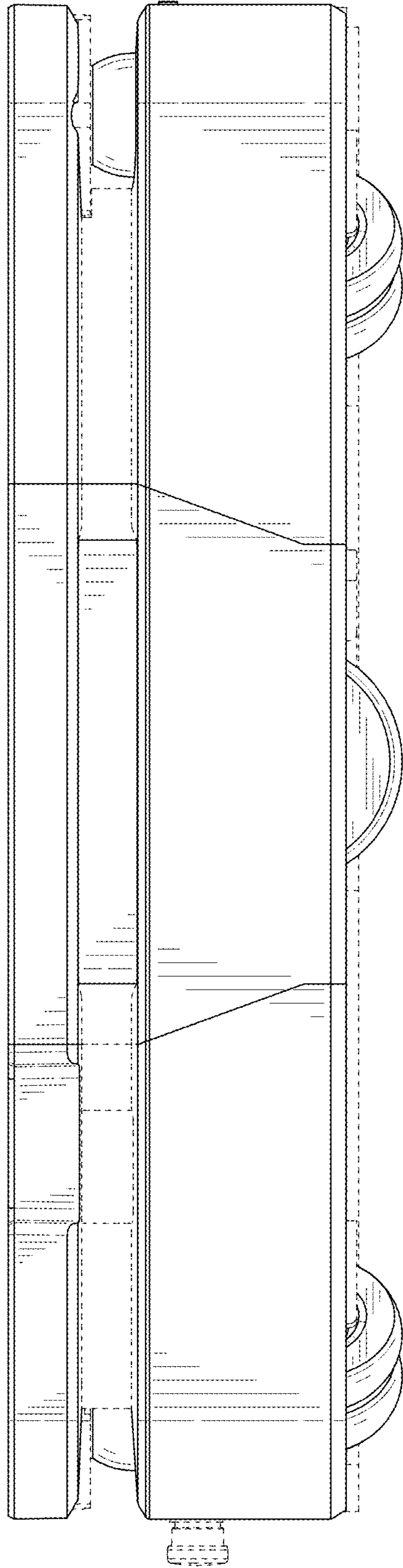


FIG. 6

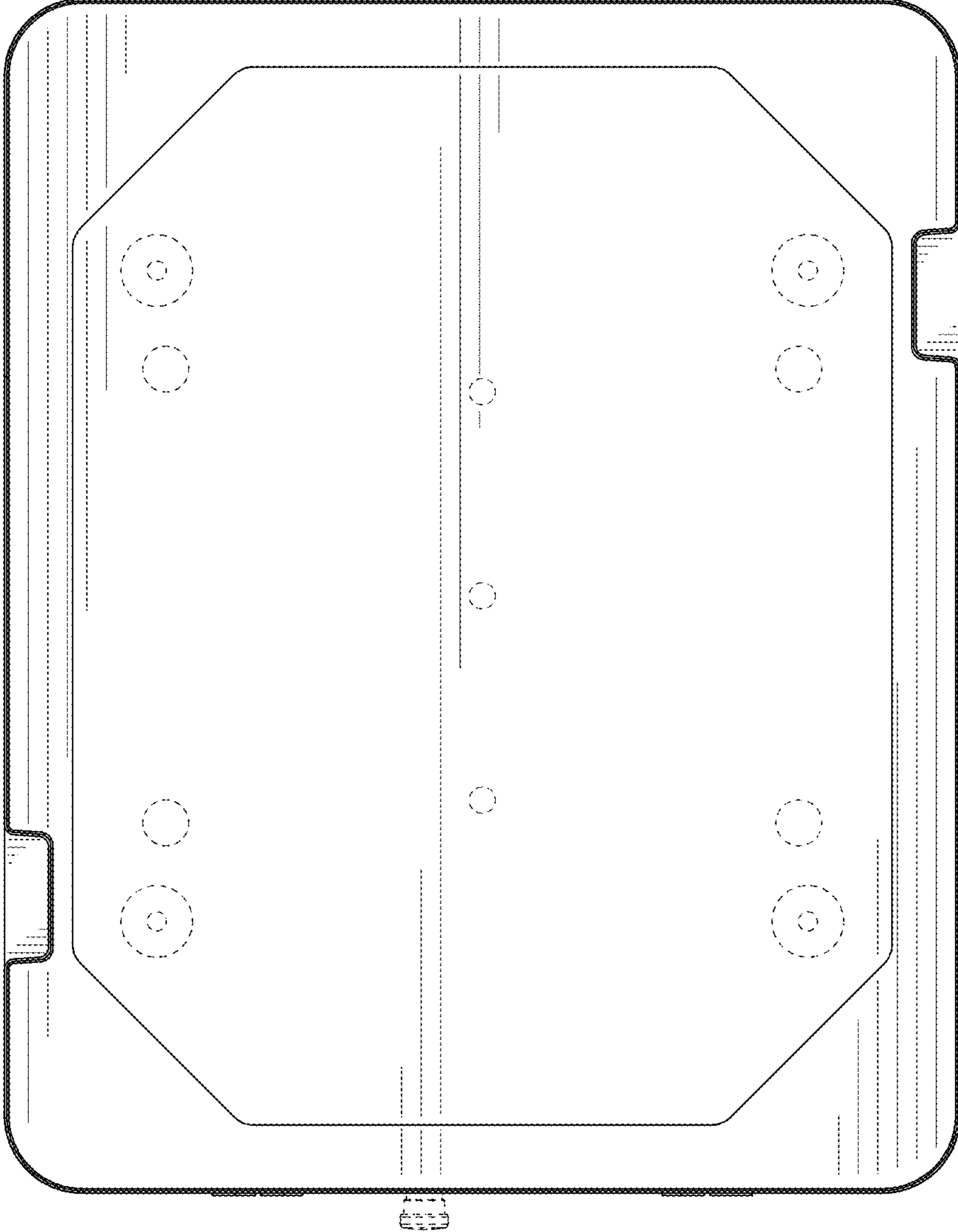


FIG. 7

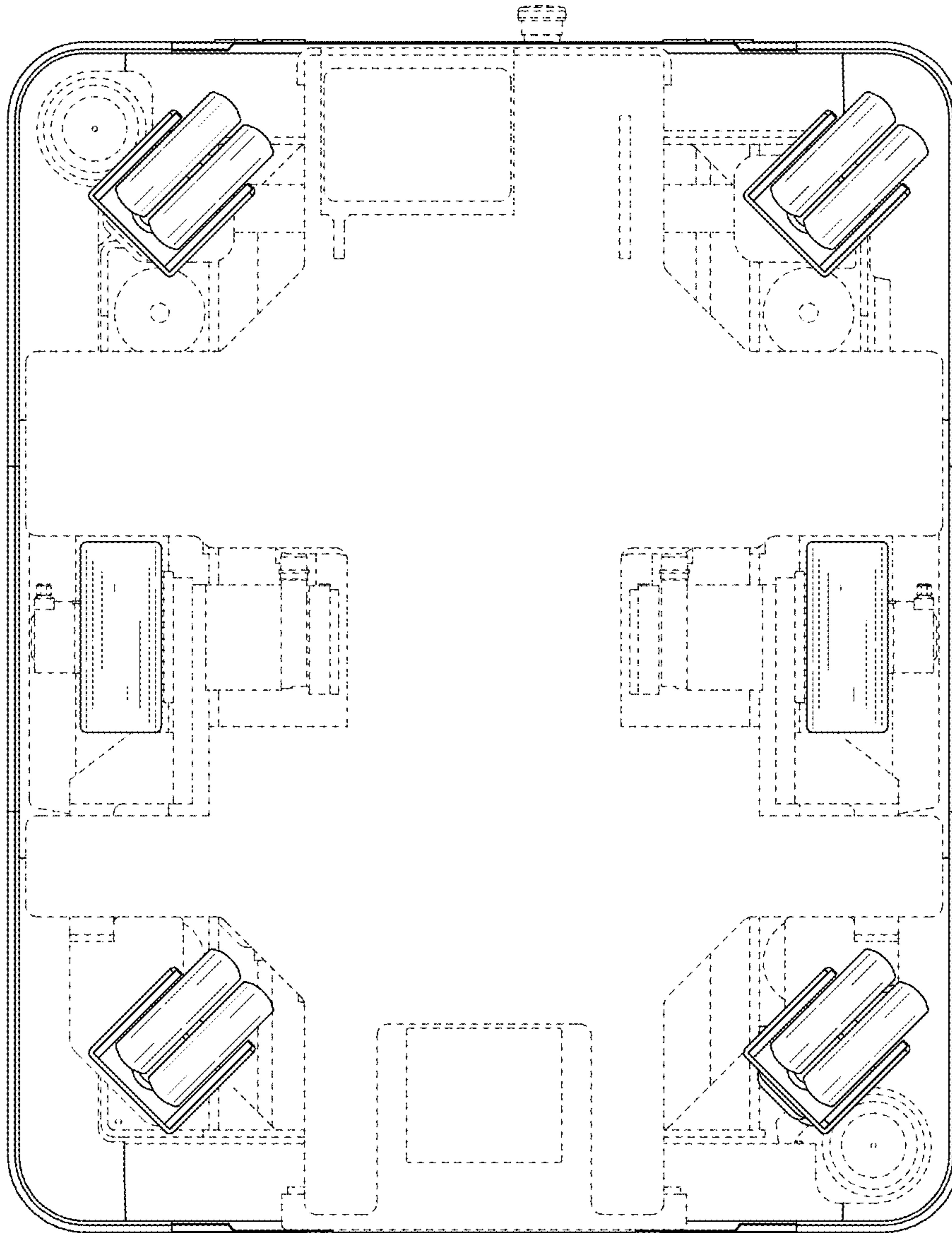


FIG. 8