



US00D978943S

(12) **United States Design Patent** (10) **Patent No.:** **US D978,943 S**  
**Chou** (45) **Date of Patent:** **\*\* Feb. 21, 2023**

- (54) **ROBOT**
- (71) Applicant: **FAROBOT INC.**, New Taipei (TW)
- (72) Inventor: **Sheng-Hao Chou**, New Taipei (TW)
- (73) Assignee: **FAROBOT INC.**, New Taipei (TW)
- (\*\*) Term: **15 Years**
- (21) Appl. No.: **29/807,325**
- (22) Filed: **Sep. 10, 2021**
- (51) **LOC (14) Cl.** ..... **15-99**
- (52) **U.S. Cl.**  
USPC ..... **D15/199**
- (58) **Field of Classification Search**  
USPC ..... D12/1; D15/199; D32/21; D34/12, 24,  
D34/28, 34  
CPC ..... B25J 5/00; B25J 5/007; B60L 2200/44;  
B66F 9/063; G05B 19/41895; G05D  
1/027; G05D 1/0011; G05D 1/0231;  
G05D 1/0242; G05D 2201/0216; Y10S  
901/00; Y10S 901/01; Y10S 901/07;  
Y10S 901/08  
See application file for complete search history.

(56) **References Cited**

**U.S. PATENT DOCUMENTS**

D810,799 S	*	2/2018	Sokuza	.....	D15/199
D863,387 S	*	10/2019	Wang	.....	D15/199
D864,270 S	*	10/2019	Hu	.....	D15/199
D865,021 S	*	10/2019	Hu	.....	D15/199
D871,475 S	*	12/2019	Kolb	.....	D15/199
D871,477 S	*	12/2019	Kolb	.....	D15/199
D871,478 S	*	12/2019	Wang	.....	D15/199
D873,173 S	*	1/2020	Brucker	.....	D12/1
D873,174 S	*	1/2020	Sokuza	.....	D12/1
D879,852 S	*	3/2020	Chen	.....	D15/199
D880,550 S	*	4/2020	Sokuza	.....	D15/199
D886,173 S	*	6/2020	Sokuza	.....	D15/199

D886,174 S	*	6/2020	Blomgren	.....	D15/199
D887,468 S	*	6/2020	Hirvesaar	.....	D15/199
D896,858 S	*	9/2020	Kapuria	.....	D15/199
D898,790 S	*	10/2020	Sokuza	.....	D15/199
D899,475 S	*	10/2020	Xiao	.....	D15/199
D902,272 S	*	11/2020	Cascajar Ordóñez	.....	D15/199
D902,277 S	*	11/2020	Sakaguchi	.....	D15/199
D906,390 S	*	12/2020	Kapuria	.....	D15/199
D907,084 S	*	1/2021	Kapuria	.....	D15/199
D907,677 S	*	1/2021	Mork	.....	D15/199
D907,678 S	*	1/2021	Cai	.....	D15/199
D911,406 S	*	2/2021	Srivastava	.....	D15/199
D914,075 S	*	3/2021	Sokuza	.....	D15/199
D919,685 S	*	5/2021	Fan	.....	D15/199
D924,955 S	*	7/2021	Hoshino	.....	D15/199
D929,478 S	*	8/2021	Mork	.....	D15/199
D950,616 S	*	5/2022	Kapuria	.....	D15/199

(Continued)

*Primary Examiner* — Patricia A Palasik

(74) *Attorney, Agent, or Firm* — ScienBiziP, P.C.

(57) **CLAIM**

The ornamental design for a robot, as shown and described.

**DESCRIPTION**

FIG. 1 is a front perspective view of a robot showing my design.

FIG. 2 is a rear perspective view of the robot in FIG. 1.

FIG. 3 is a front elevation view of the robot in FIG. 1.

FIG. 4 is a rear elevation view of the robot in FIG. 1.

FIG. 5 is a left side elevation view of the robot in FIG. 1.

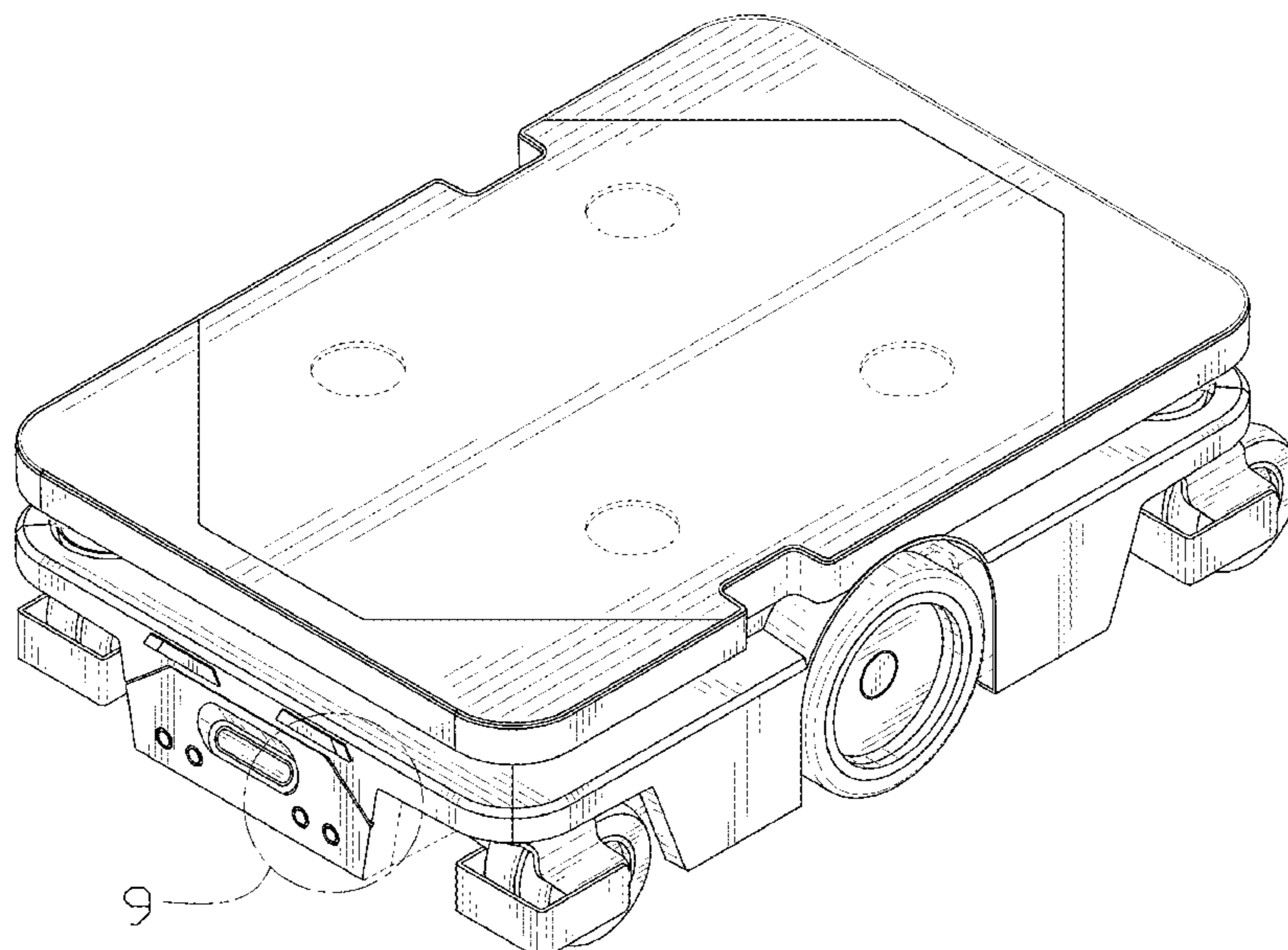
FIG. 6 is a right side elevation view of the robot in FIG. 1.

FIG. 7 is a top plan view of the robot in FIG. 1.

FIG. 8 is a bottom plan view of the robot in FIG. 1; and, FIG. 9 is an enlarged view of a portion of the robot labeled 9 in FIG. 1.

The broken lines in the drawings are employed to show unclaimed portions of the robot, and form no part of the claimed design.

**1 Claim, 9 Drawing Sheets**



(56)

**References Cited**

U.S. PATENT DOCUMENTS

2009/0035181 A1\* 2/2009 Chung ..... G01N 35/04  
422/68.1  
2013/0340529 A1\* 12/2013 Lama ..... G01N 29/226  
901/1  
2021/0178576 A1\* 6/2021 Murphy ..... B25J 19/023

\* cited by examiner

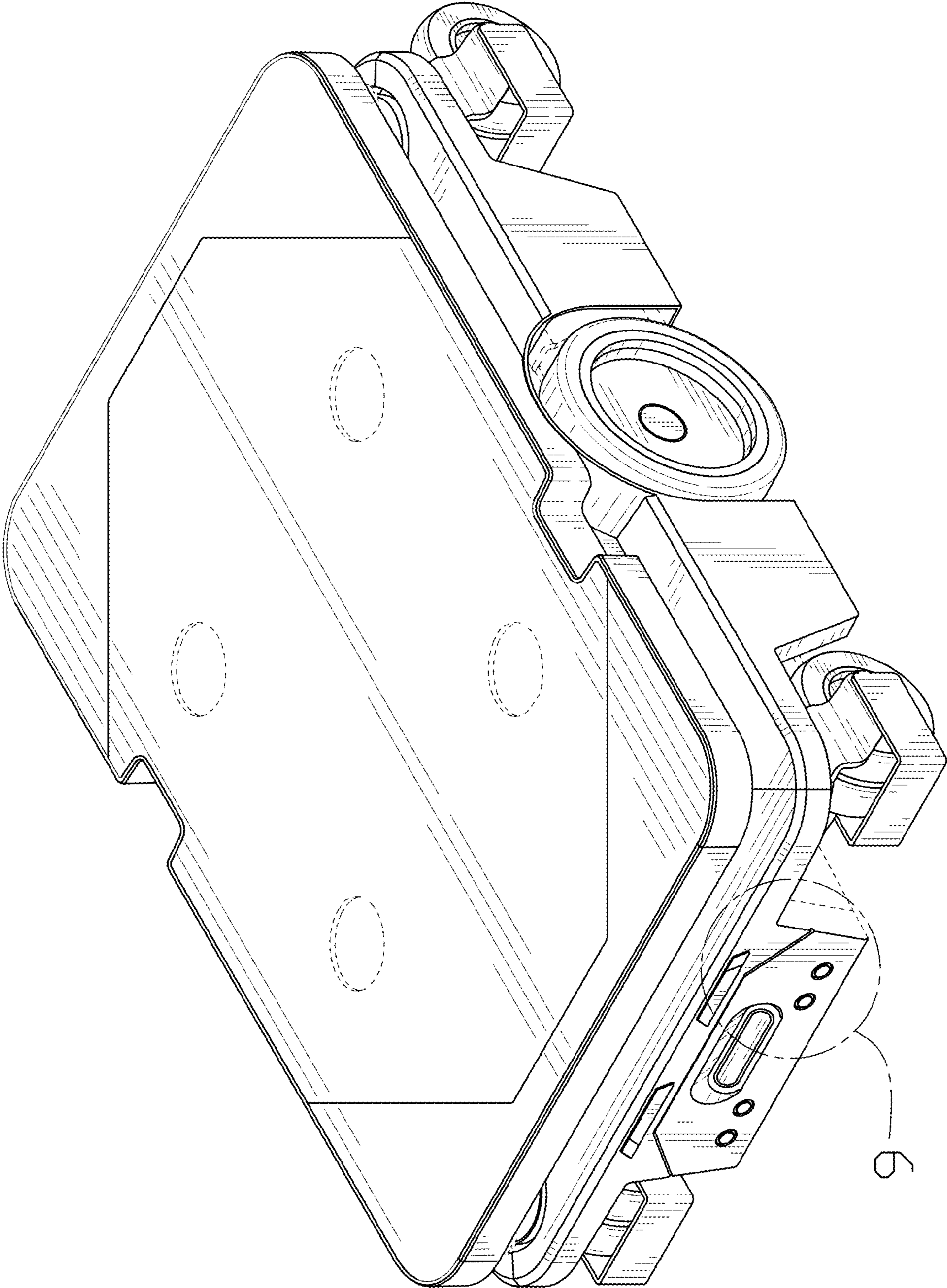


FIG. 1

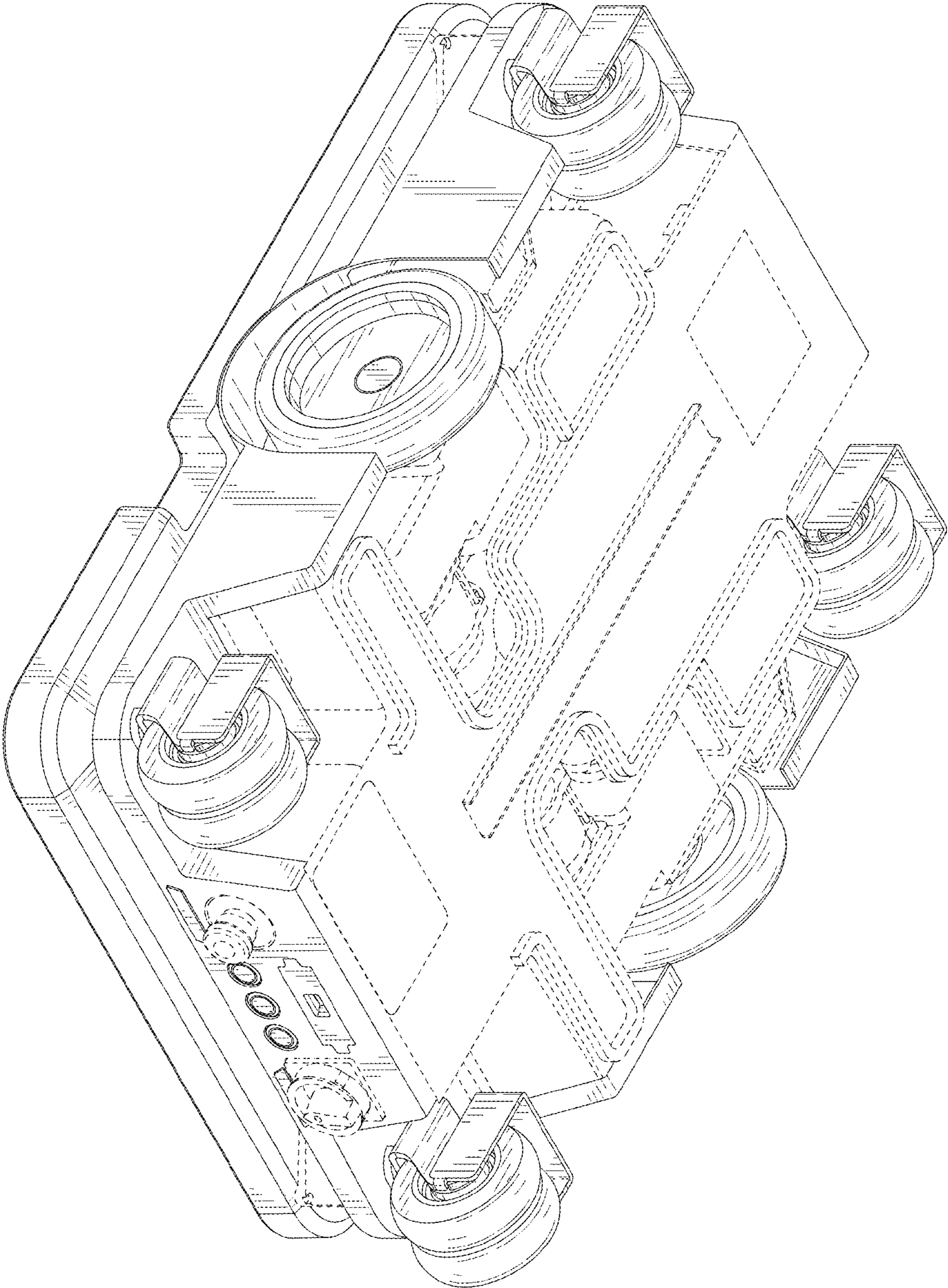


FIG. 2

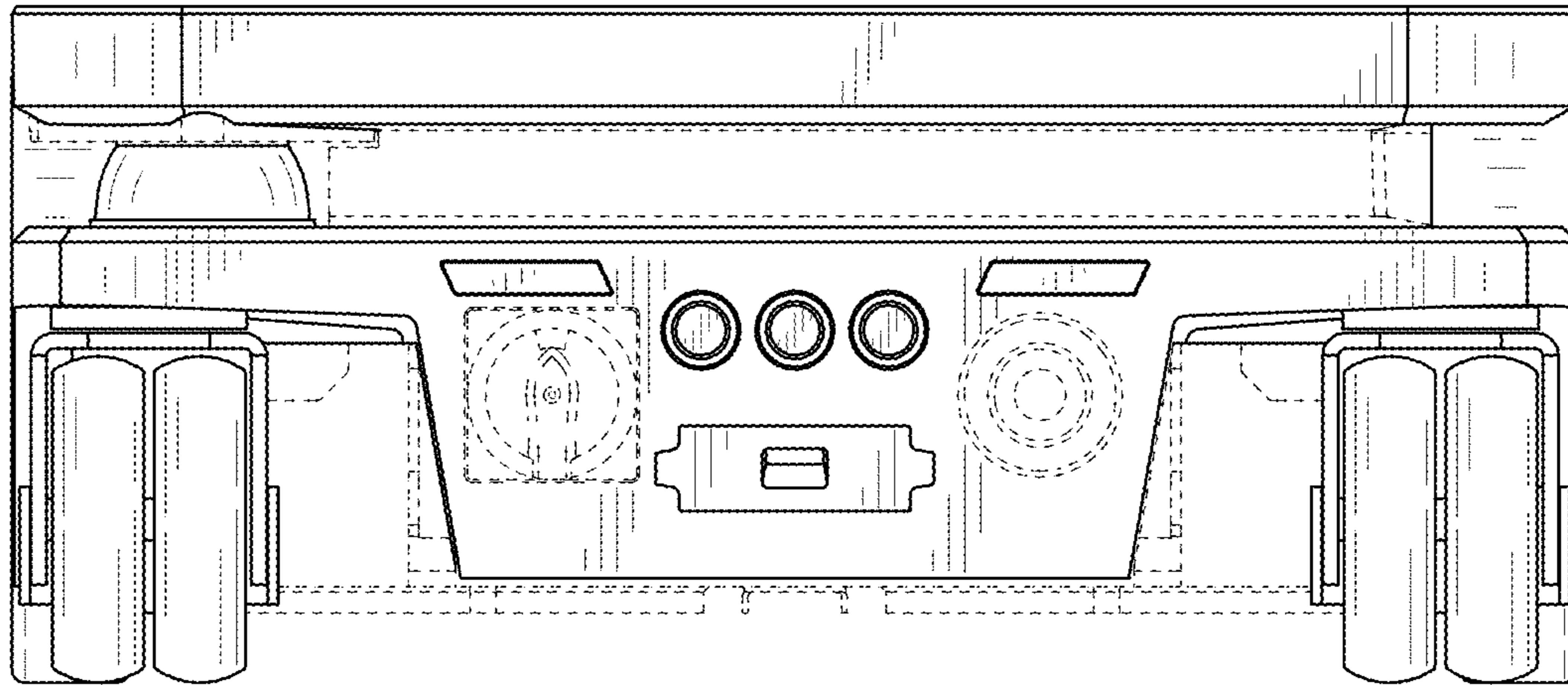


FIG. 3

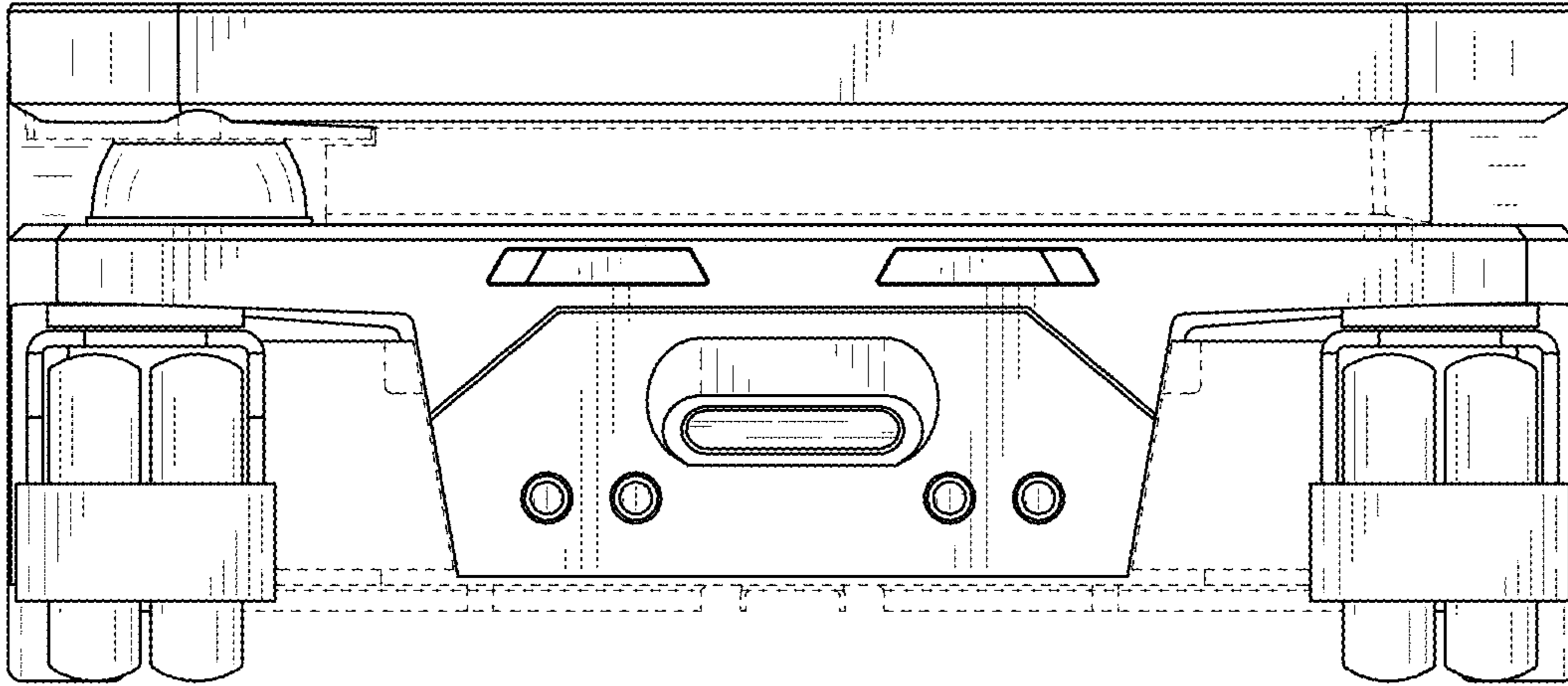


FIG. 4

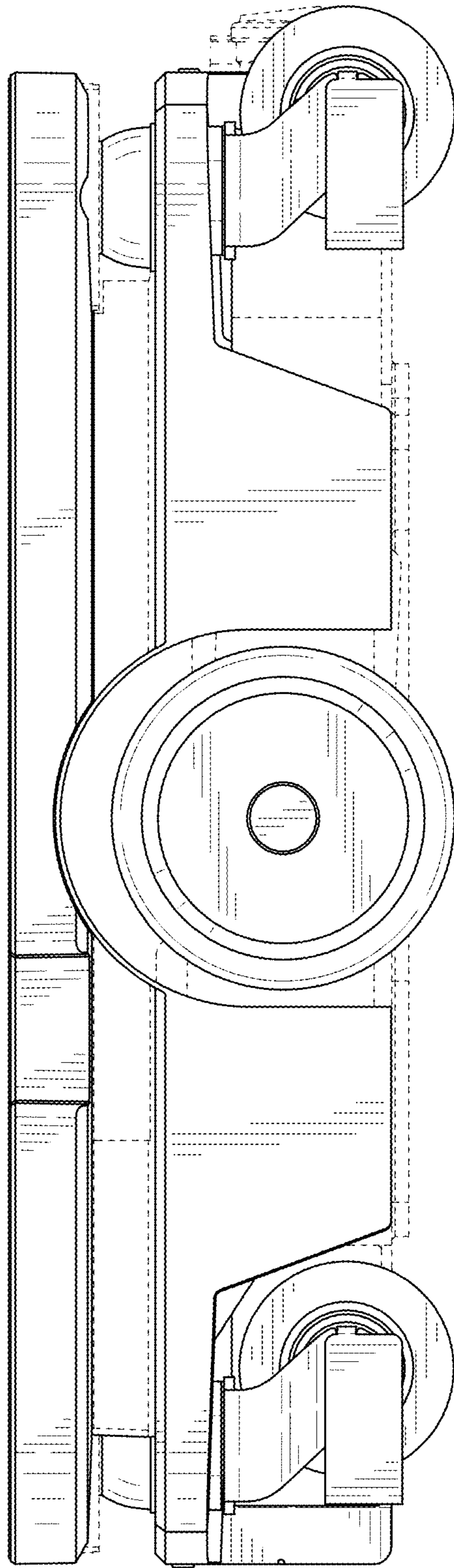


FIG. 5

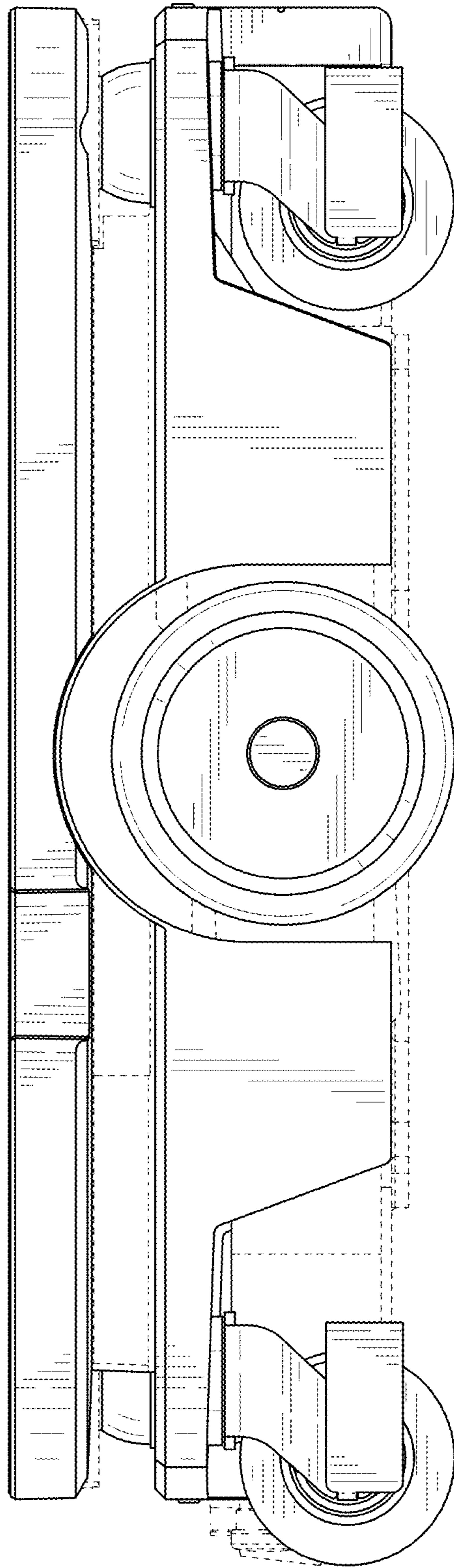


FIG. 6



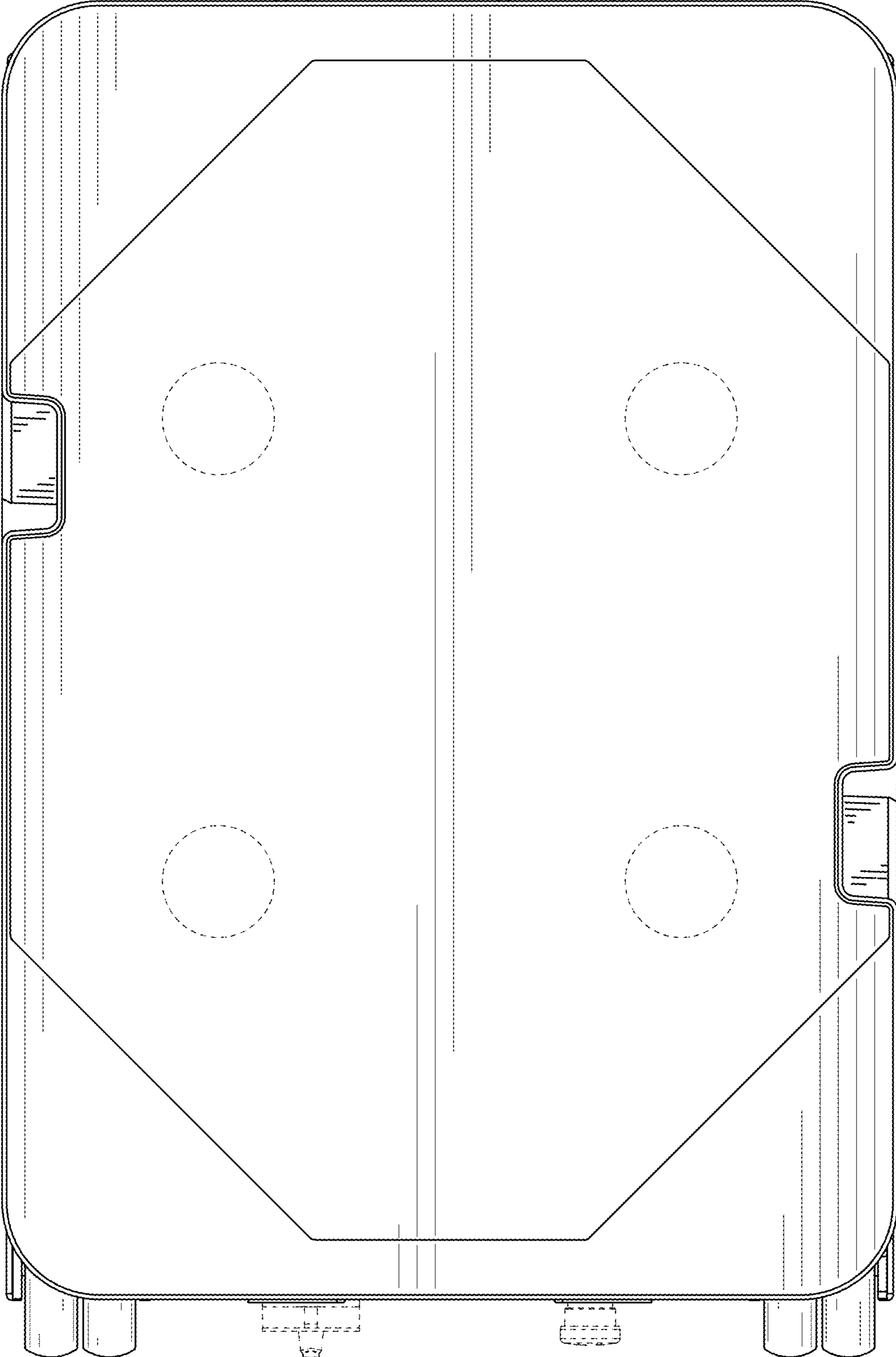


FIG. 7

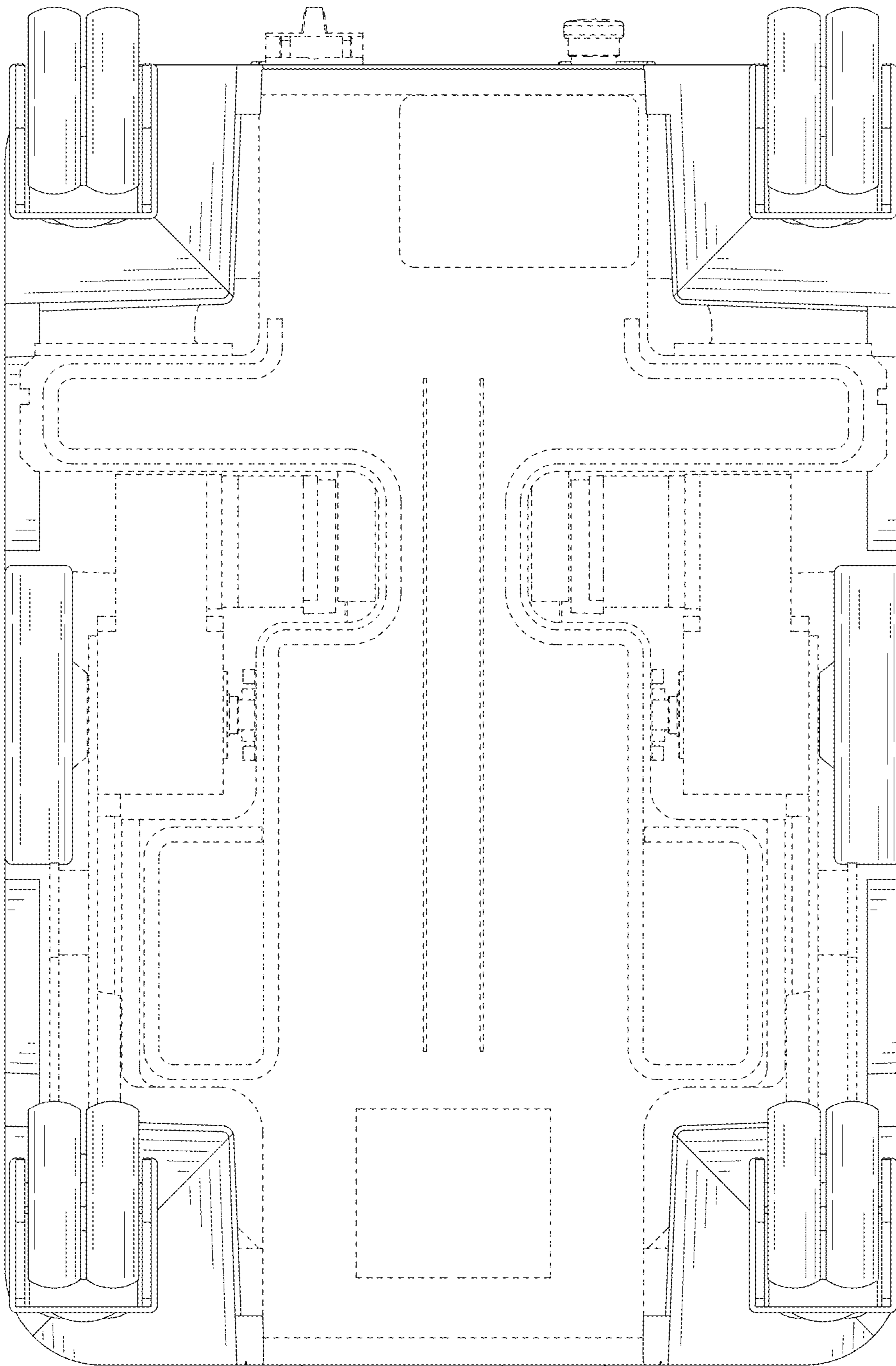


FIG. 8

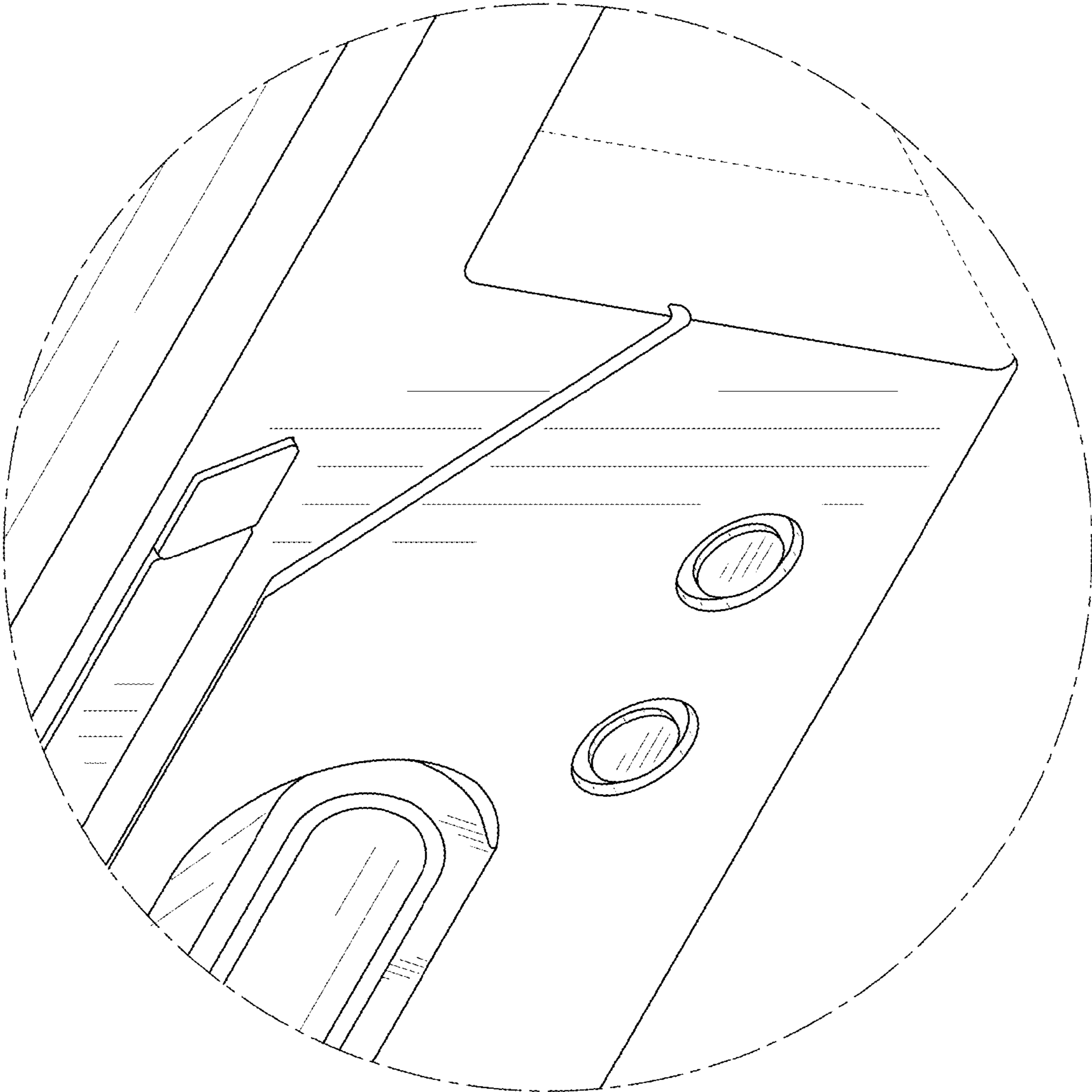


FIG. 9