



US00D978942S

(12) **United States Design Patent**  
**Fuchs et al.**

(10) **Patent No.:** **US D978,942 S**  
(45) **Date of Patent:** **\*\* Feb. 21, 2023**

- (54) **INTELLIGENT SERVICE ROBOT**
- (71) Applicant: **Robotise AG**, Munich (DE)
- (72) Inventors: **Johannes Fuchs**, Munich (DE); **Oliver Stahl**, Munich (DE)
- (73) Assignee: **ROBOTISE AG**, Munich (DE)
- (\*\*) Term: **15 Years**
- (21) Appl. No.: **29/758,319**
- (22) Filed: **Nov. 13, 2020**

- D920,411 S \* 5/2021 Zheng ..... D15/199
- D921,080 S \* 6/2021 Chen ..... D15/199
- D921,081 S \* 6/2021 LaPlante ..... D15/199
- D922,465 S \* 6/2021 Lee ..... B25J 11/00  
D15/199

(Continued)

*Primary Examiner* — Michael C Stout  
*Assistant Examiner* — Fritzgerald L Butac

(74) *Attorney, Agent, or Firm* — Birch, Stewart, Kolasch & Birch, LLP

(57) **CLAIM**

The ornamental design for an intelligent service robot, as shown and described.

**DESCRIPTION**

- (30) **Foreign Application Priority Data**  
May 14, 2020 (WO) ..... WIPO94894
- (51) **LOC (14) Cl.** ..... **15-99**
- (52) **U.S. Cl.**  
USPC ..... **D15/199**
- (58) **Field of Classification Search**  
USPC ..... D15/199; D21/369, 578–583, 622;  
D24/137–140, 146, 150, 232  
CPC ..... A63H 11/00; B25J 9/0003; Y10S 901/01  
See application file for complete search history.

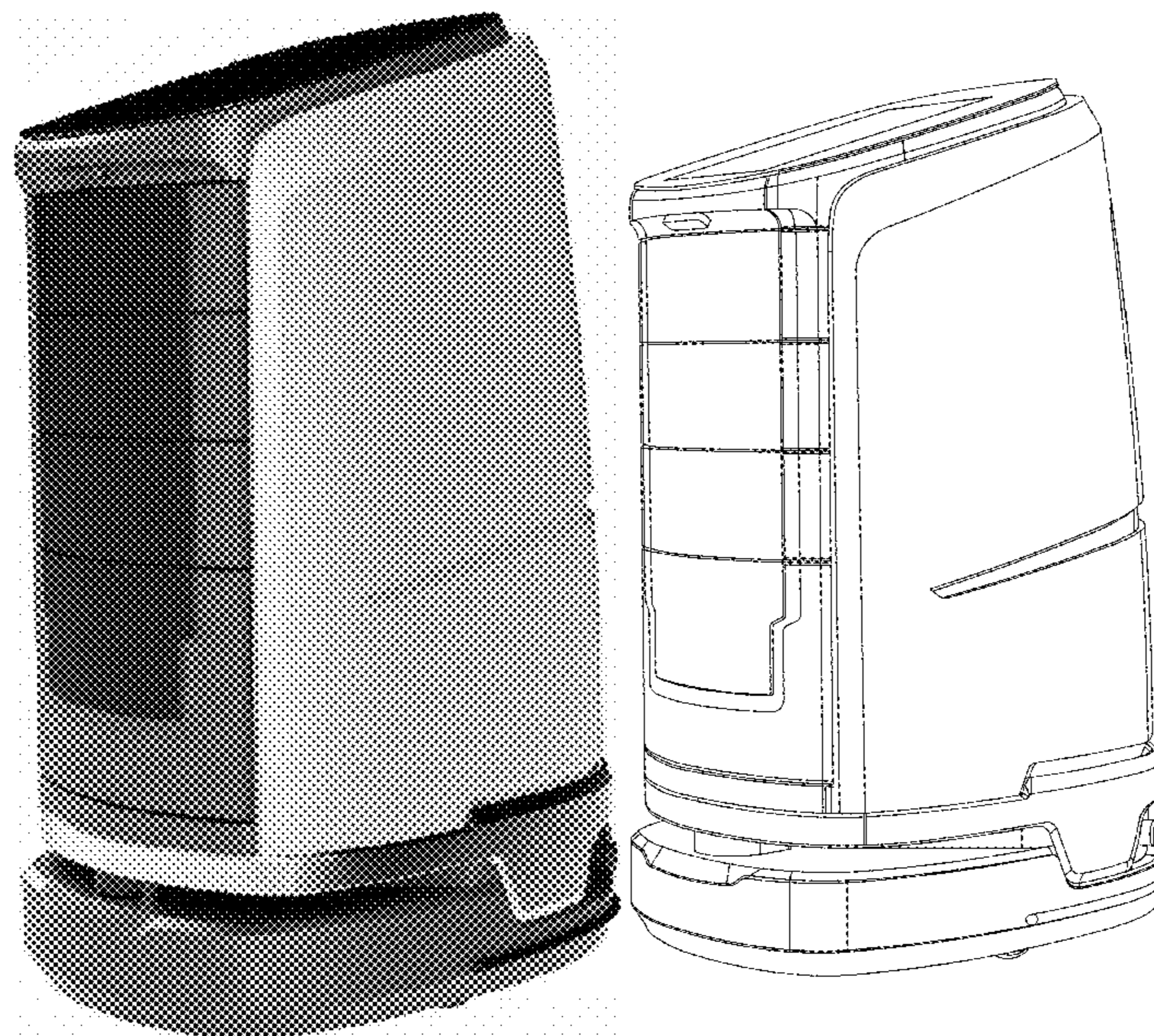
FIG. 1 is a rear view of a first embodiment of an intelligent service robot showing a first embodiment of our new design; FIG. 2 is a front view thereof; FIG. 3 is a left side view thereof; FIG. 4 is a right side view thereof; FIG. 5 is a top view thereof; FIG. 6 is a bottom view thereof; FIG. 7 is a perspective view thereof; FIG. 8 is a rear view of a second embodiment of an intelligent service robot showing a second embodiment of our new design; FIG. 9 is a front view thereof; FIG. 10 is a left side view thereof; FIG. 11 is a right side view thereof; FIG. 12 is a top view thereof; FIG. 13 is a bottom view thereof; and, FIG. 14 is a perspective view thereof. The broken lines in FIG. 13 show portions of an intelligent service robot which form no part of the claimed design. The light grey areas in FIG. 6 show portions of an intelligent service robot which form no part of the claimed design.

(56) **References Cited**

**U.S. PATENT DOCUMENTS**

- D842,353 S \* 3/2019 Lee ..... D15/199
- D851,148 S \* 6/2019 Wang ..... D15/199
- D864,271 S \* 10/2019 Lai ..... D15/199
- D865,829 S \* 11/2019 Sakai ..... D15/199
- D871,474 S \* 12/2019 Kolb ..... D15/199
- D881,249 S \* 4/2020 Kim ..... D15/199
- D884,043 S \* 5/2020 Song ..... D15/199
- D891,496 S \* 7/2020 Okawa ..... D15/199
- D897,385 S \* 9/2020 Zhang ..... D15/199
- D913,349 S \* 3/2021 Yao ..... D15/199
- D919,687 S \* 5/2021 Song ..... D15/199

**1 Claim, 12 Drawing Sheets**



(56)

**References Cited**

U.S. PATENT DOCUMENTS

D923,681 S *	6/2021	Lee .....	G05D 1/024 D15/199
D930,728 S *	9/2021	Yao .....	D15/199
D931,921 S *	9/2021	Haddadin .....	D15/199
D934,933 S *	11/2021	Cho .....	D15/199
D937,787 S *	12/2021	Wappler .....	D13/184
D937,920 S *	12/2021	Gidwell .....	D15/199
D939,602 S *	12/2021	Wang .....	B25J 11/00 D15/199
D940,883 S *	1/2022	Fox .....	D24/186

\* cited by examiner

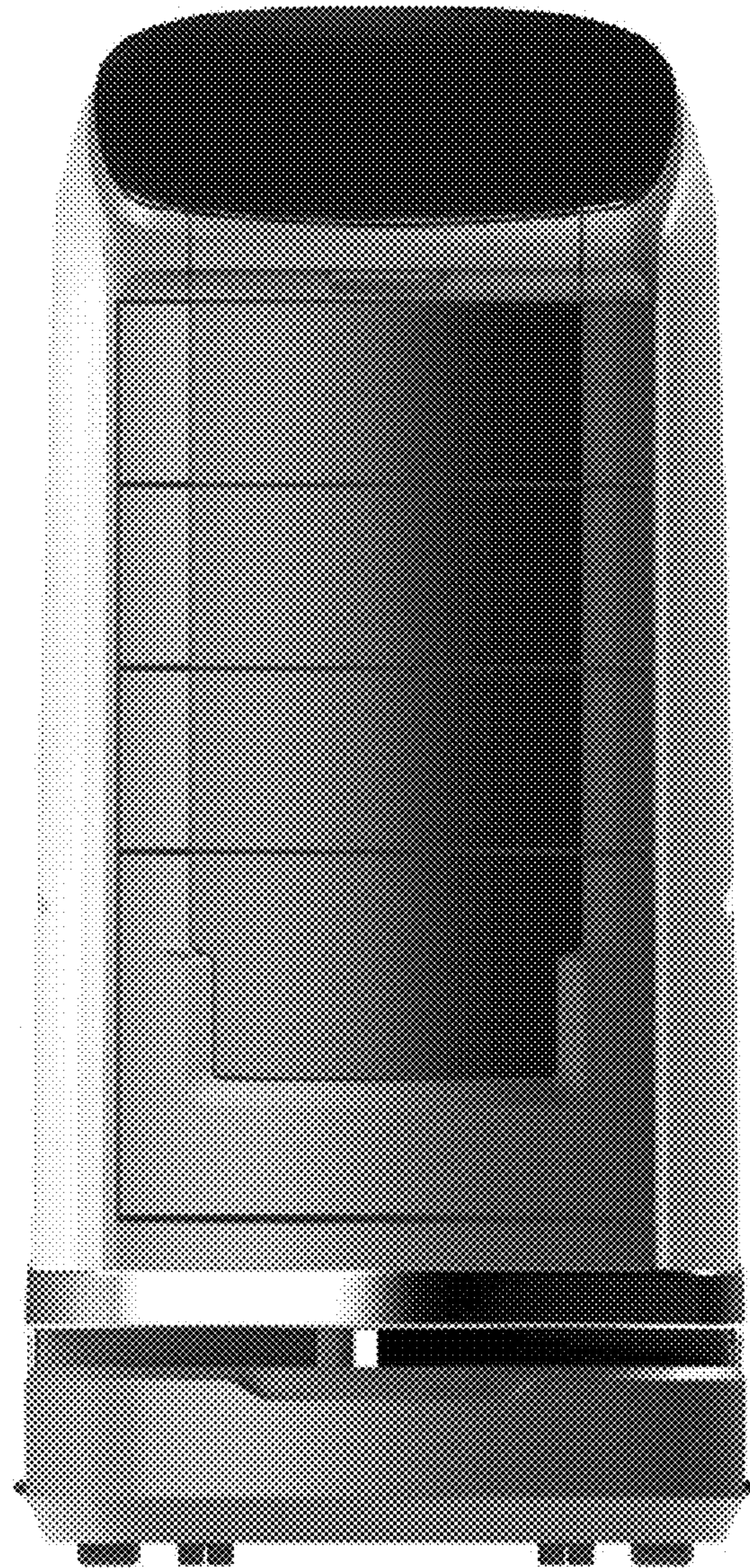


FIG.1

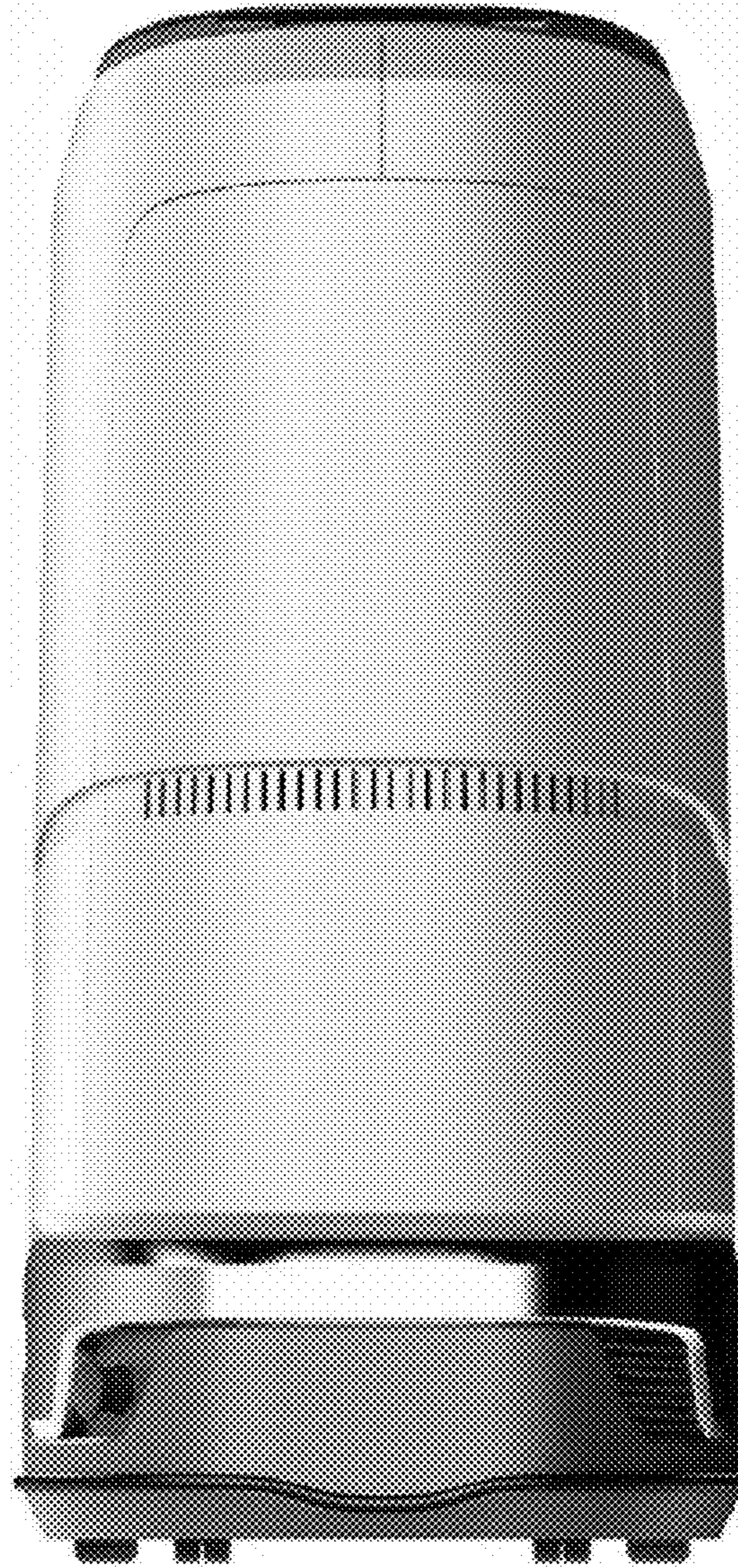


FIG.2

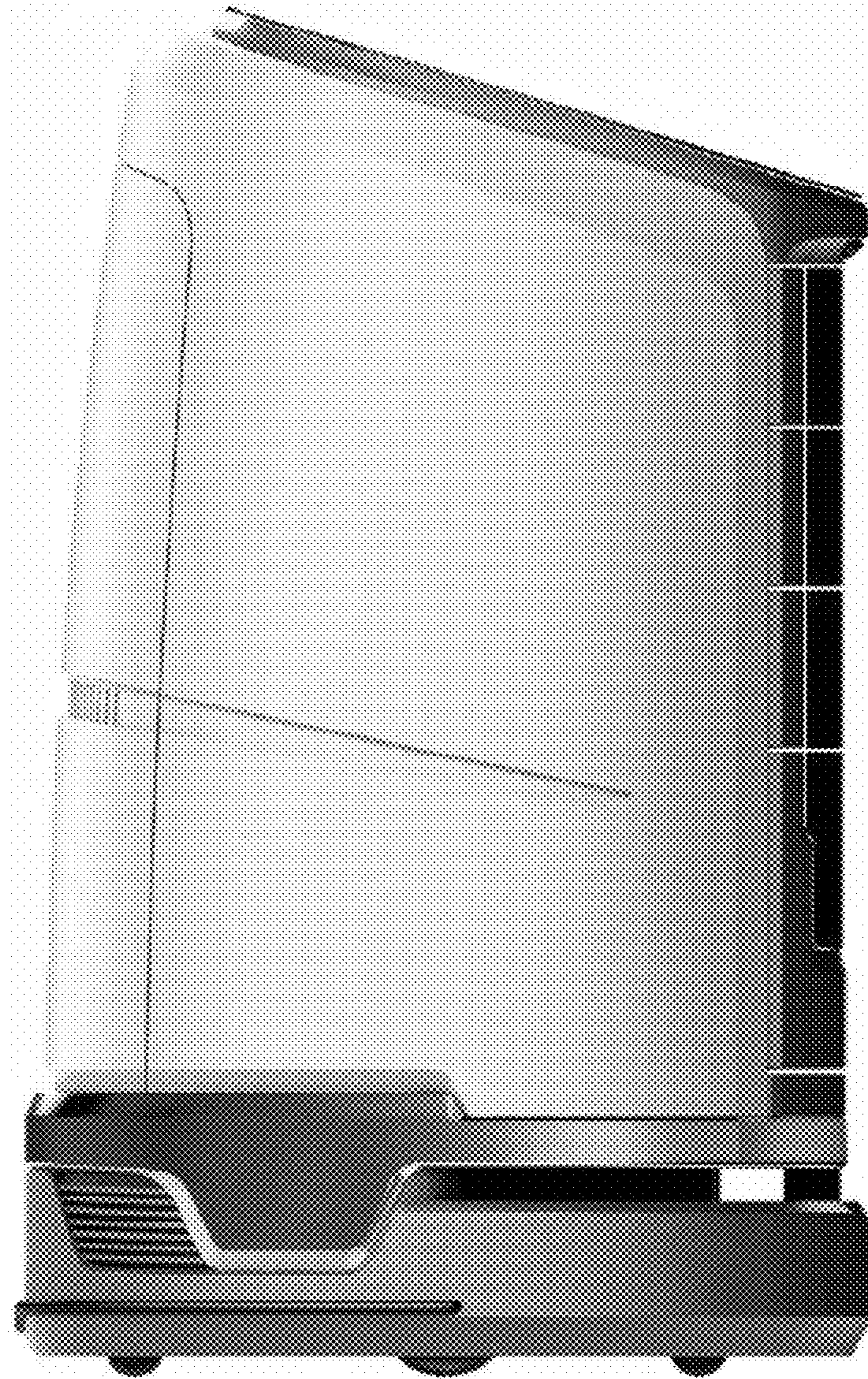


FIG.3

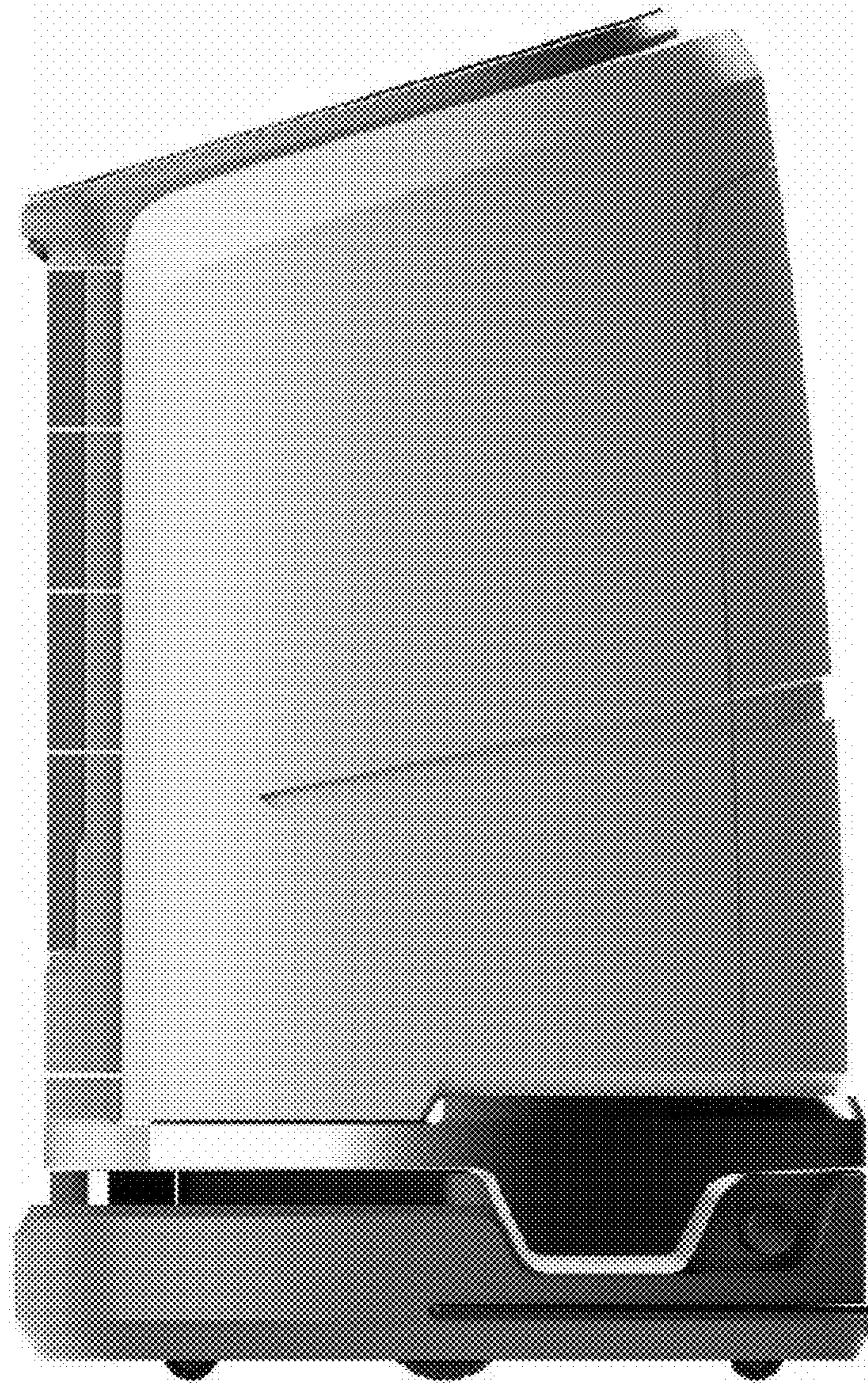


FIG.4

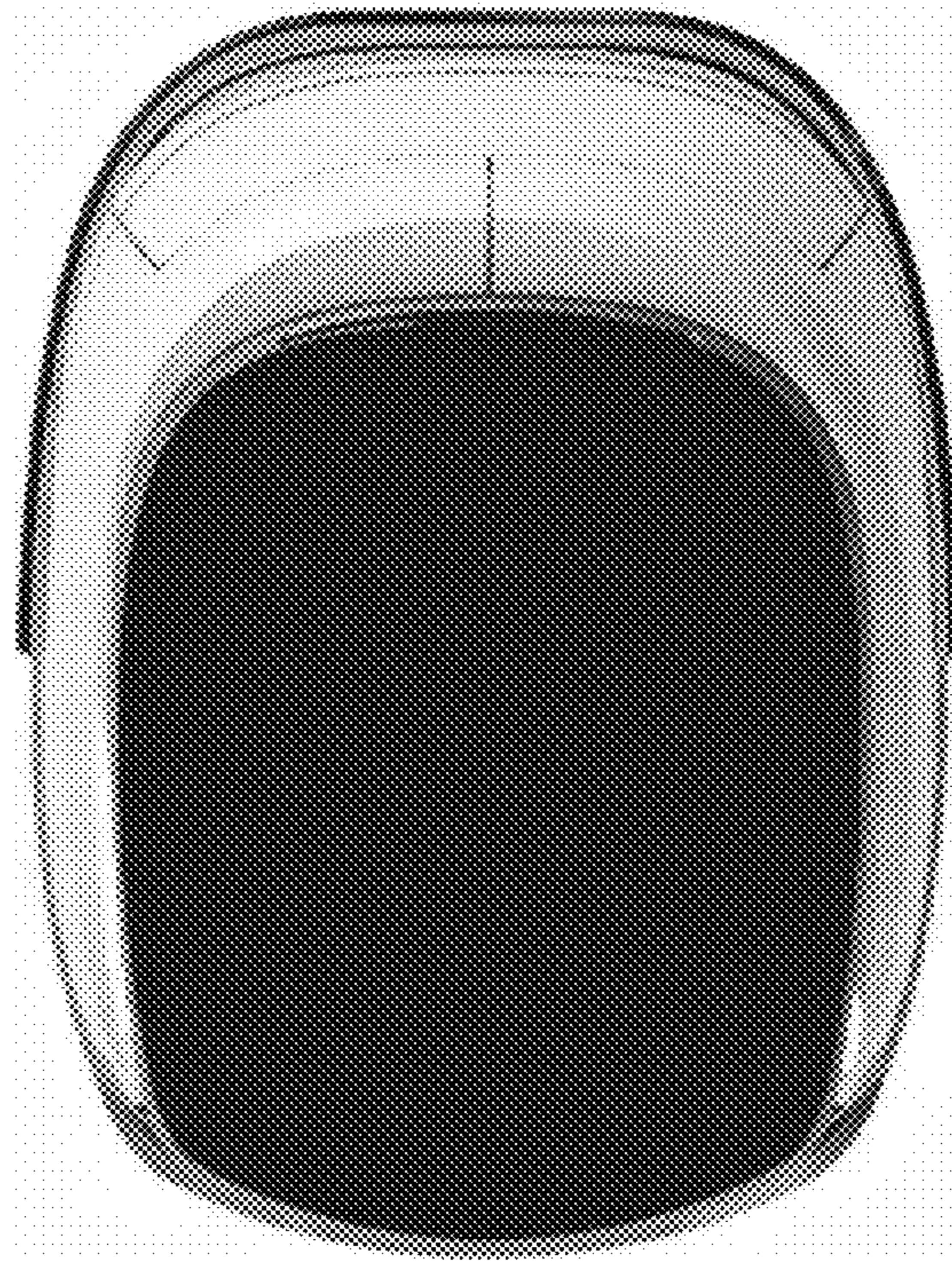


FIG. 5

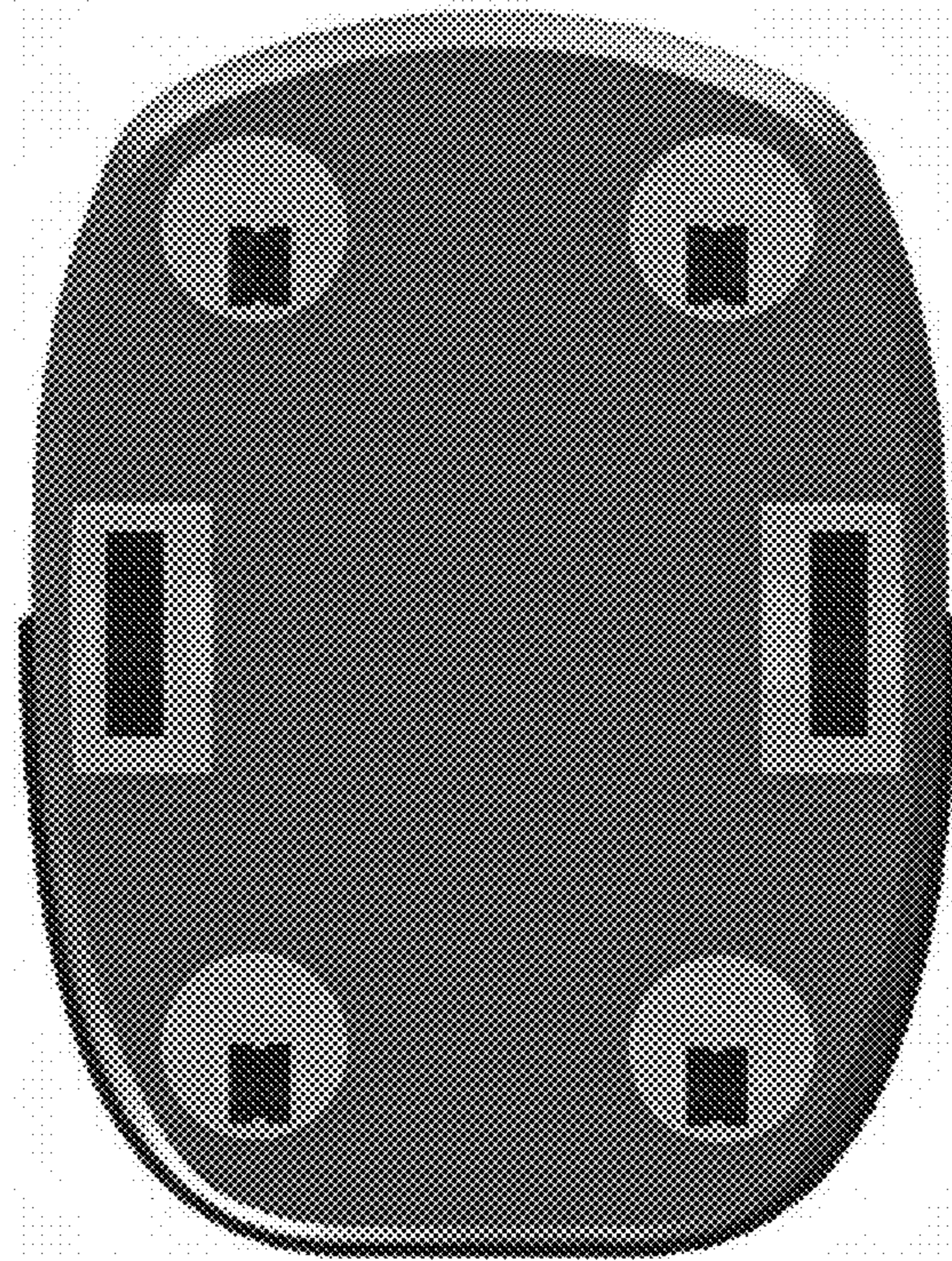


FIG. 6



FIG.7



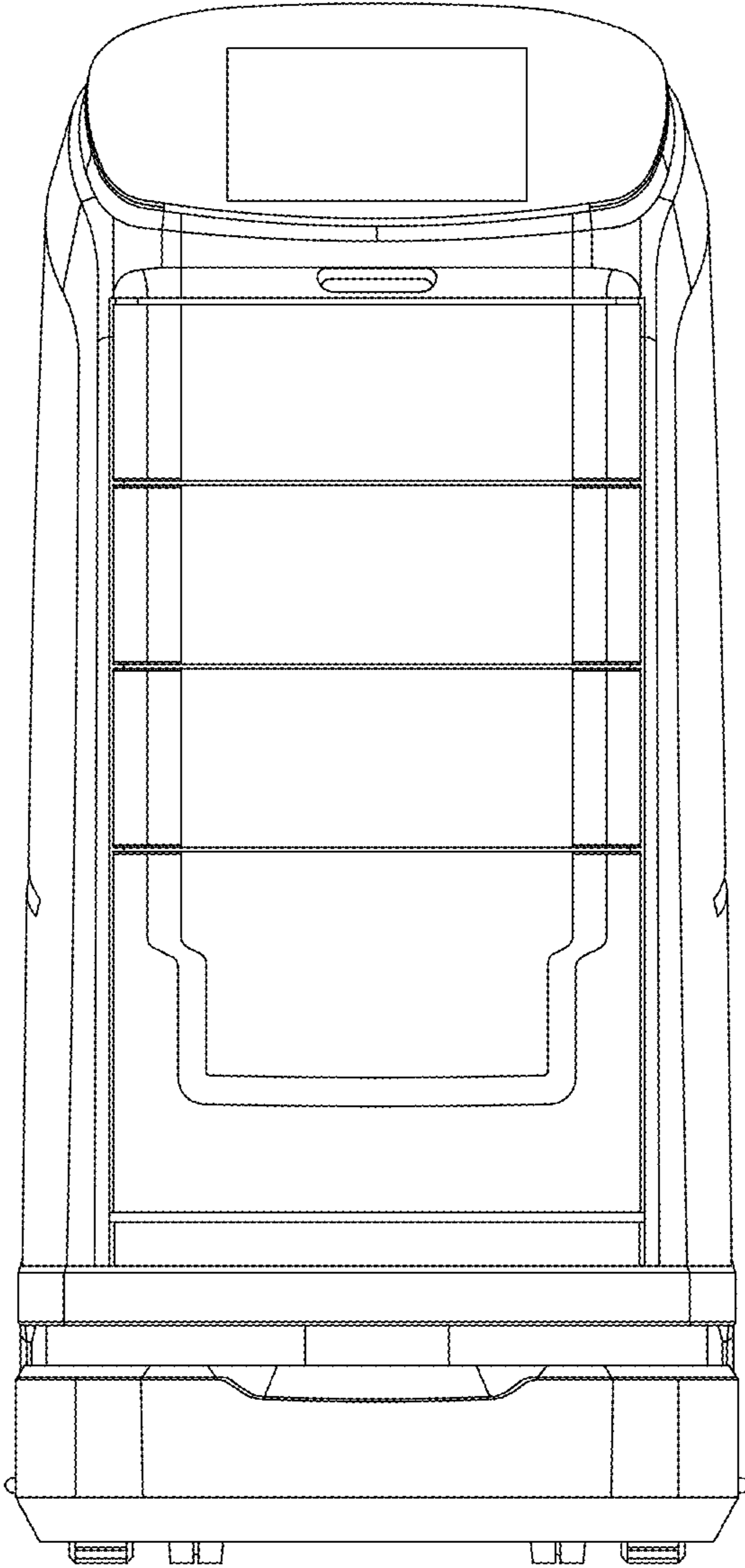


FIG.8

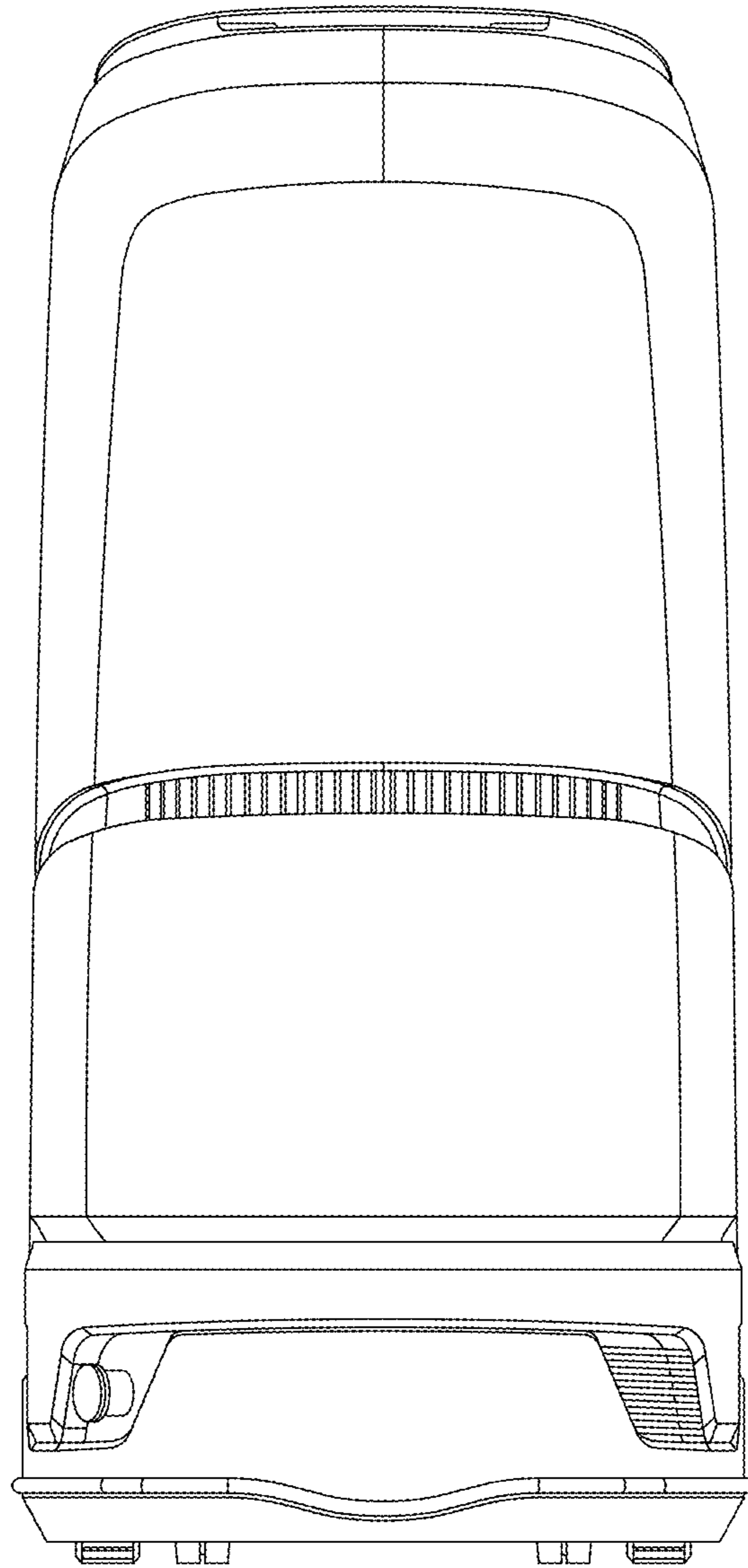


FIG.9

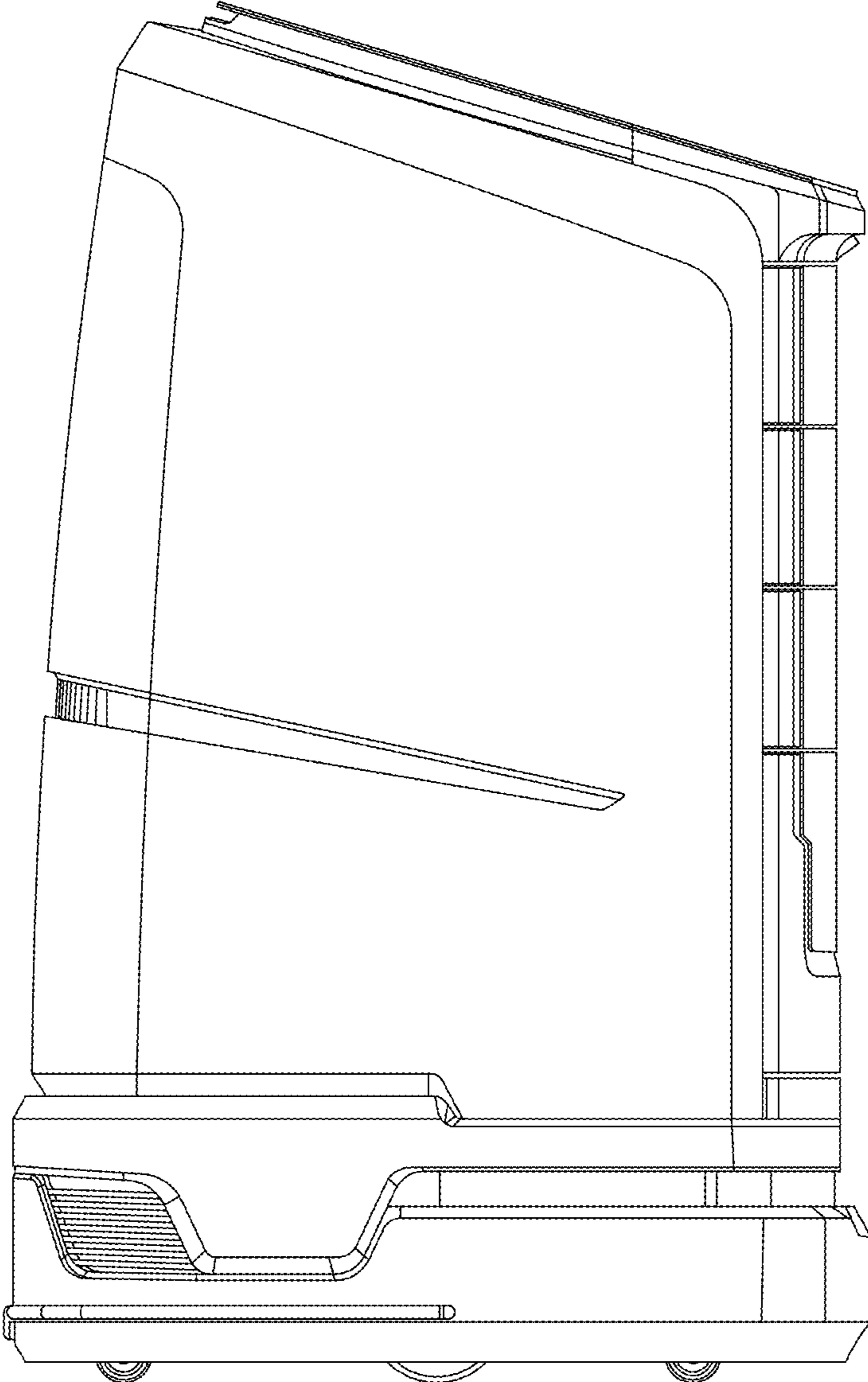


FIG.10

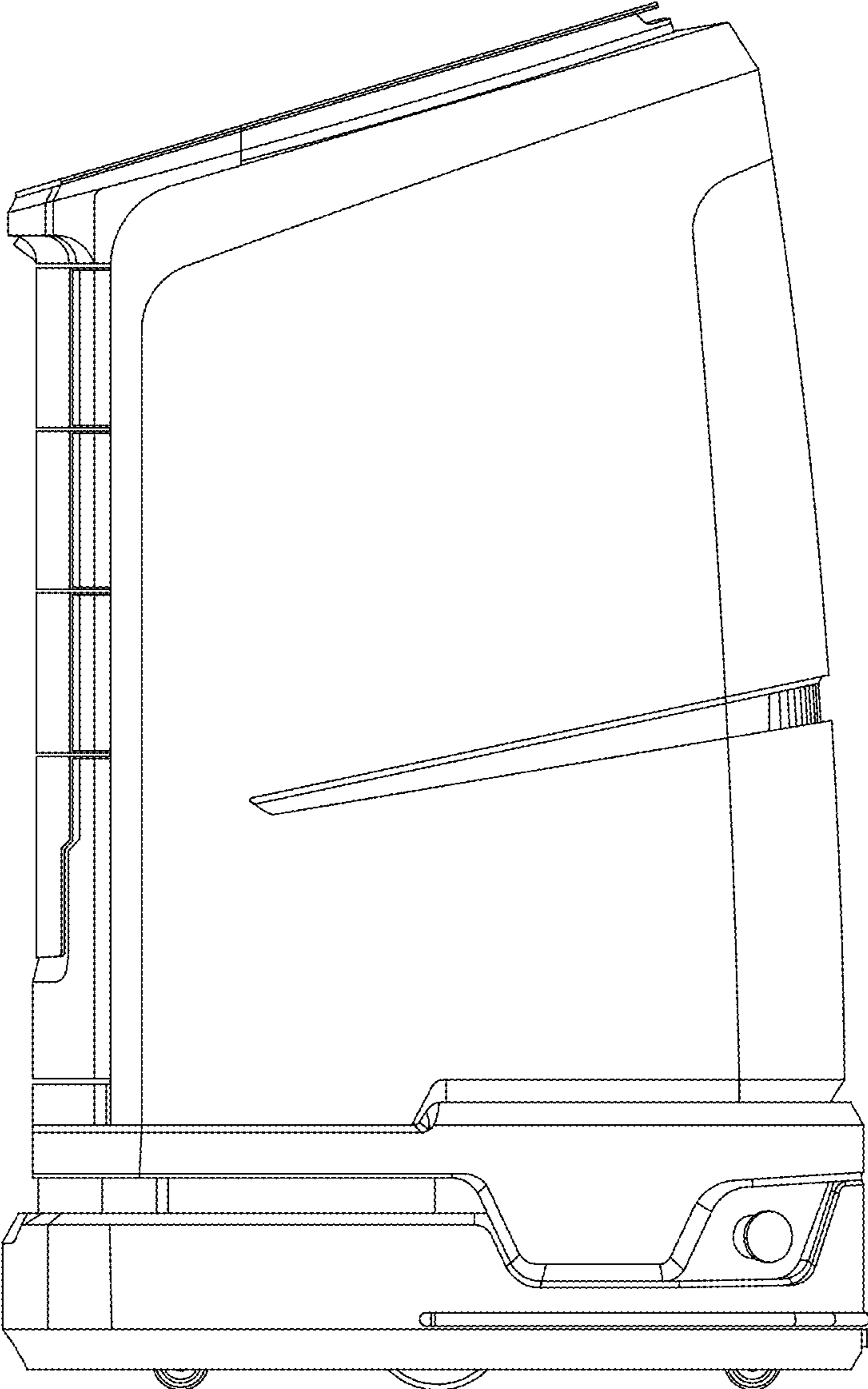


FIG.11

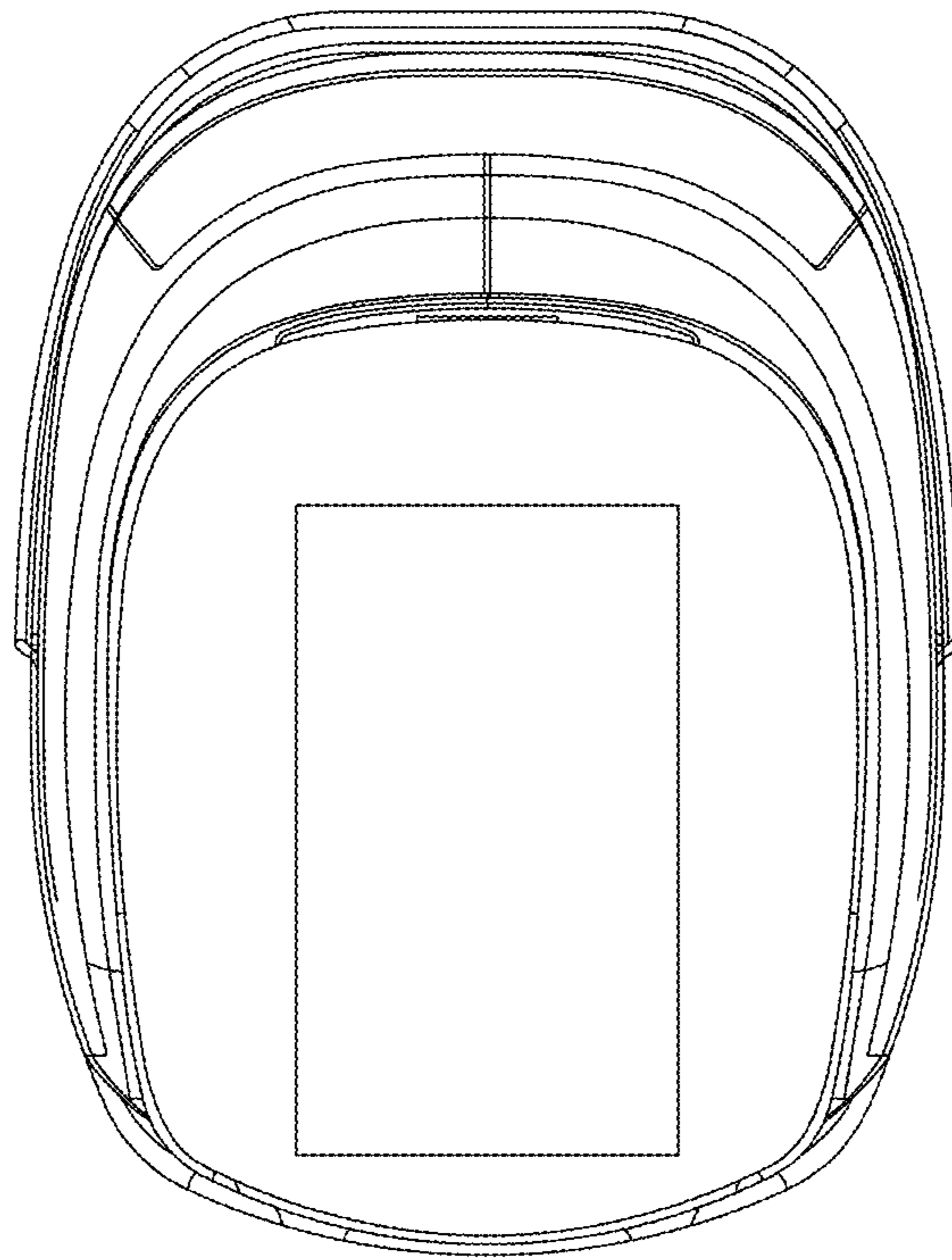


FIG.12

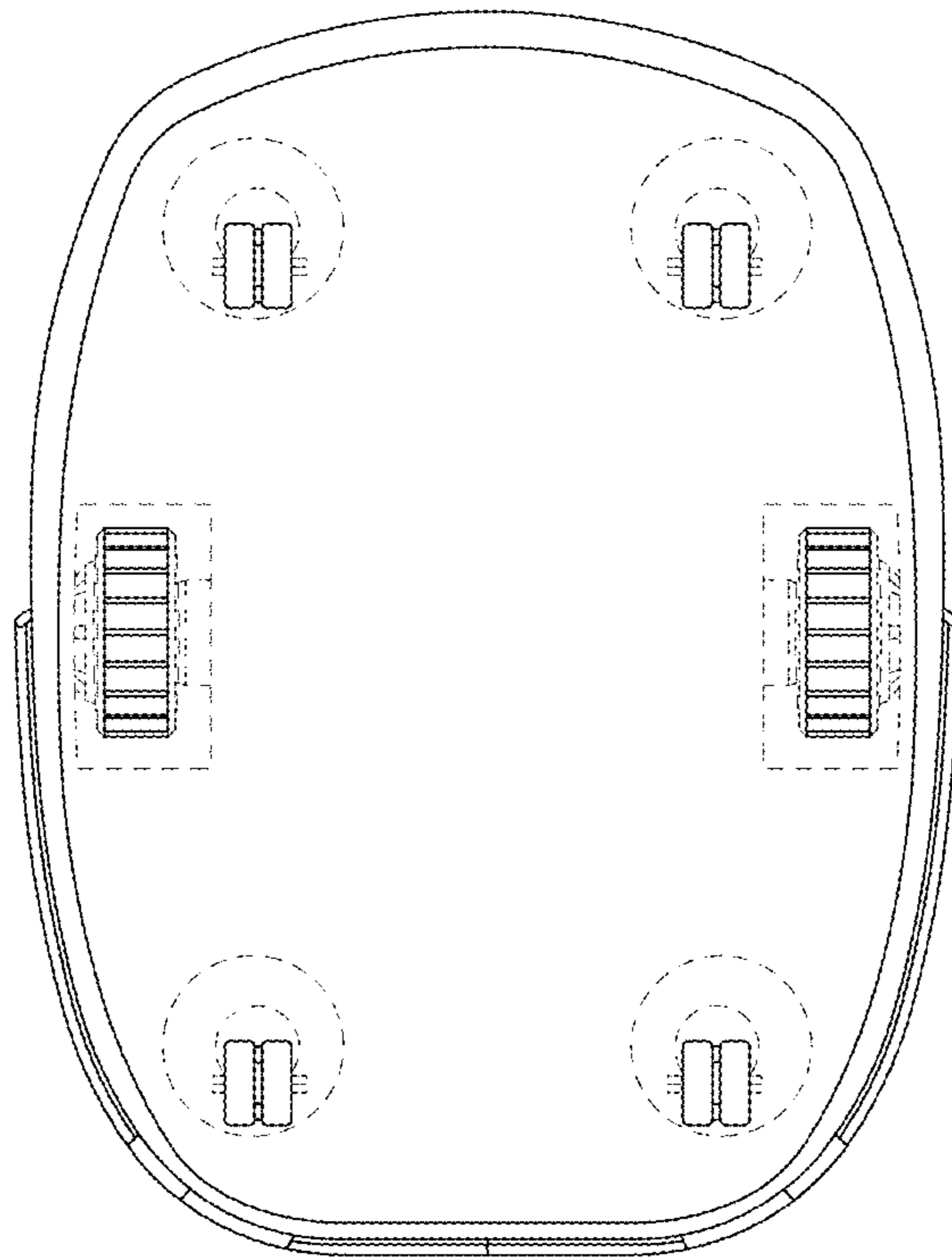


FIG.13

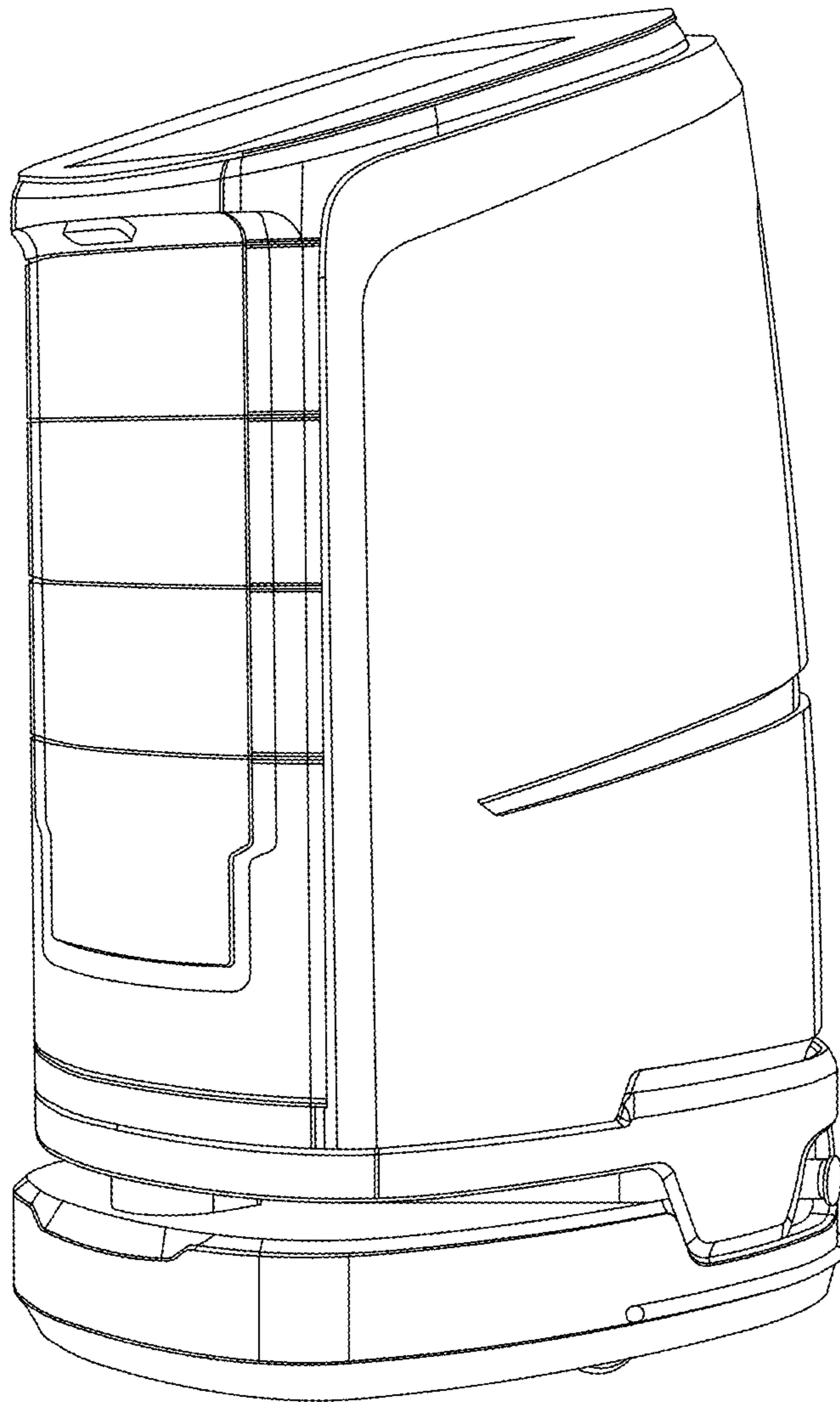


FIG.14