



US00D978934S

(12) **United States Design Patent**
Mihaich

(10) **Patent No.:** **US D978,934 S**

(45) **Date of Patent:** **** Feb. 21, 2023**

- (54) **FLOOR EDGER SANDING DISC**
- (71) Applicants: **SAINT-GOBAIN ABRASIVES, INC.**,
Worcester, MA (US); **SAINT-GOBAIN**
ABRASIFS, Conflans-Sainte-Honorine
(FR)
- (72) Inventor: **Greg Mihaich**, Ballston Lake, NY (US)
- (73) Assignees: **SAINT-GOBAIN ABRASIVES, INC.**,
Worcester, MA (US); **SAINT-GOBAIN**
ABRASIFS, Conflans-Sainte-Honorine
(FR)

(**) Term: **15 Years**

(21) Appl. No.: **29/739,407**

(22) Filed: **Jun. 25, 2020**

(51) **LOC (14) Cl.** **15-09**

(52) **U.S. Cl.**
USPC **D15/126**

(58) **Field of Classification Search**
USPC D8/14, 16, 19, 20, 70, 98; D15/124, 126,
D15/138, 139
CPC B24B 7/186; B24B 23/02
See application file for complete search history.

(56) **References Cited**

U.S. PATENT DOCUMENTS

- 3,796,124 A * 3/1974 Crosa F16B 21/20
411/521
- 4,730,952 A * 3/1988 Wiley B24B 45/006
30/388
- 4,775,273 A * 10/1988 Bauer F16B 2/205
403/377
- 5,048,366 A * 9/1991 Spanio F16H 53/02
74/567
- 5,163,797 A * 11/1992 Patti B60B 7/00
411/372.6
- D342,883 S * 1/1994 Brandenburg, Jr. D8/70

- D382,452 S * 8/1997 Murkowski D15/139
- 6,312,325 B1 11/2001 Van Osenbruggen
- D508,060 S * 8/2005 Olsen D15/126
- D528,407 S * 9/2006 Schwab D8/399
- D555,681 S * 11/2007 Popov D15/126
- D609,552 S * 2/2010 Anderson D8/349
- D651,062 S * 12/2011 Wackwitz D8/70
- D677,546 S * 3/2013 Zhou D8/70
- 8,529,319 B2 9/2013 Gaspich et al.
- D690,961 S * 10/2013 Chou D6/580
- D692,747 S * 11/2013 Schwab D8/399

(Continued)

FOREIGN PATENT DOCUMENTS

- EP 1679152 A1 * 7/2006 B24D 7/14
- EP 1679157 A1 * 7/2006 B24B 7/186

OTHER PUBLICATIONS

<https://www.amazon.com/Bosch-GS736-Arbor-Abrasive-Sanding/dp/B001DGYME0> Retrieved Oct. 21, 2020, 5 pages.

(Continued)

Primary Examiner — Patricia A Palasik
(74) *Attorney, Agent, or Firm* — Abel Schillinger, LLP;
Joseph P. Sullivan

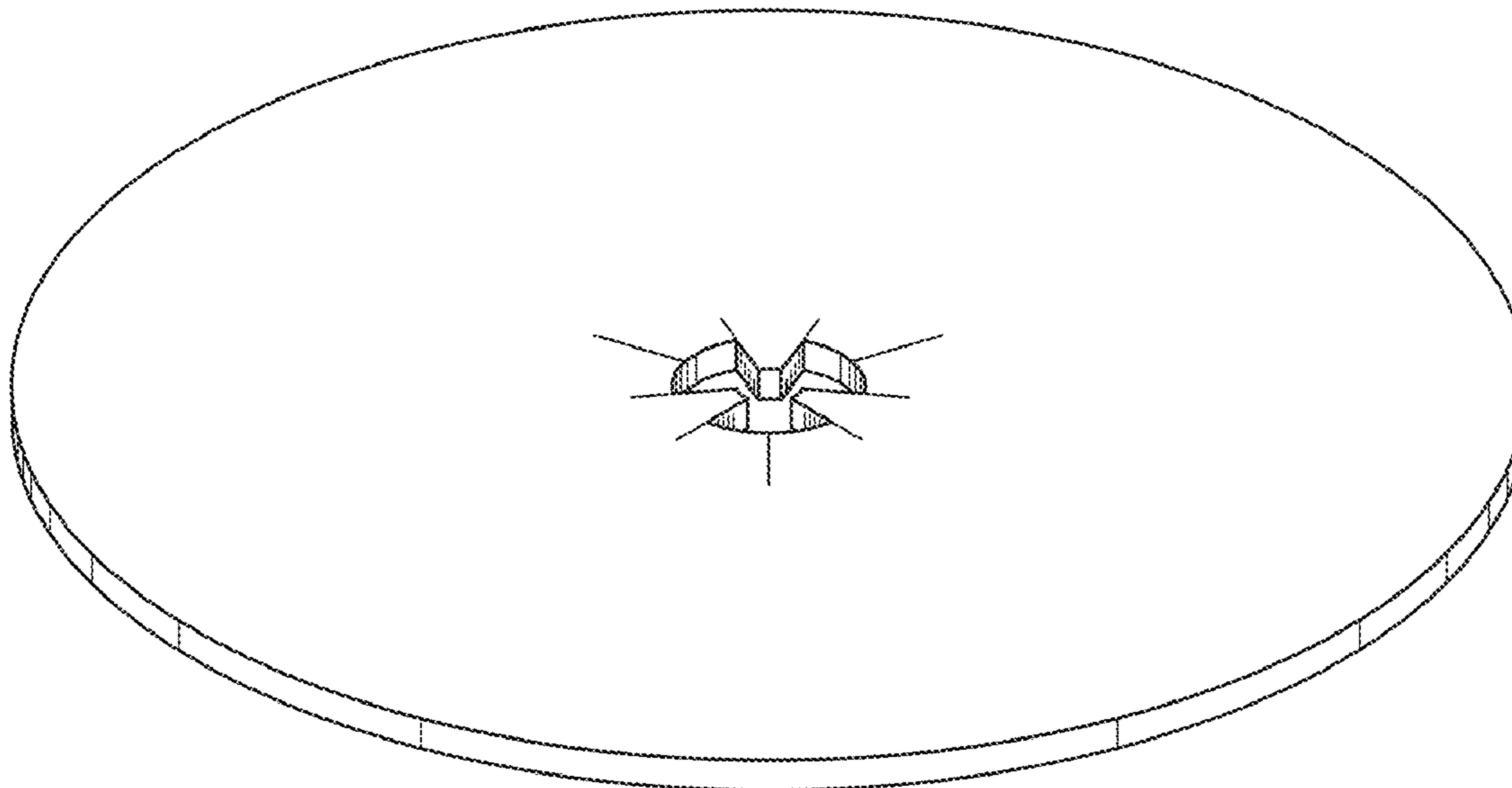
(57) **CLAIM**

The ornamental design for a floor edger sanding disc, as shown and described.

DESCRIPTION

FIG. 1 is a perspective view of a floor edger sanding disc according to the present design.
FIG. 2 is a top view of the floor edger sanding disc.
FIG. 3 is a back view of the floor edger sanding disc; and,
FIG. 4 is a side view of the floor edger sanding disc.
The broken lines in the figures depict portions of the floor edger sanding disc that form no part of the claimed design.

1 Claim, 3 Drawing Sheets



(56)

References Cited

U.S. PATENT DOCUMENTS

D697,774 S * 1/2014 Bozic D8/70
D697,778 S * 1/2014 Bozic D8/70
D741,925 S * 10/2015 Flegel D15/139
D744,800 S * 12/2015 Cooksey D8/70
D839,699 S * 2/2019 Luescher D8/20
10,424,854 B2 * 9/2019 Muller H01R 13/40
2005/0085174 A1 4/2005 Yanase

OTHER PUBLICATIONS

<https://www.amazon.co.uk/Virginia-Abrasives-007-16220-Sanding-Diameter/dp/B001CEE4NM> Retrieved Oct. 21, 2020, 3 pages.

* cited by examiner

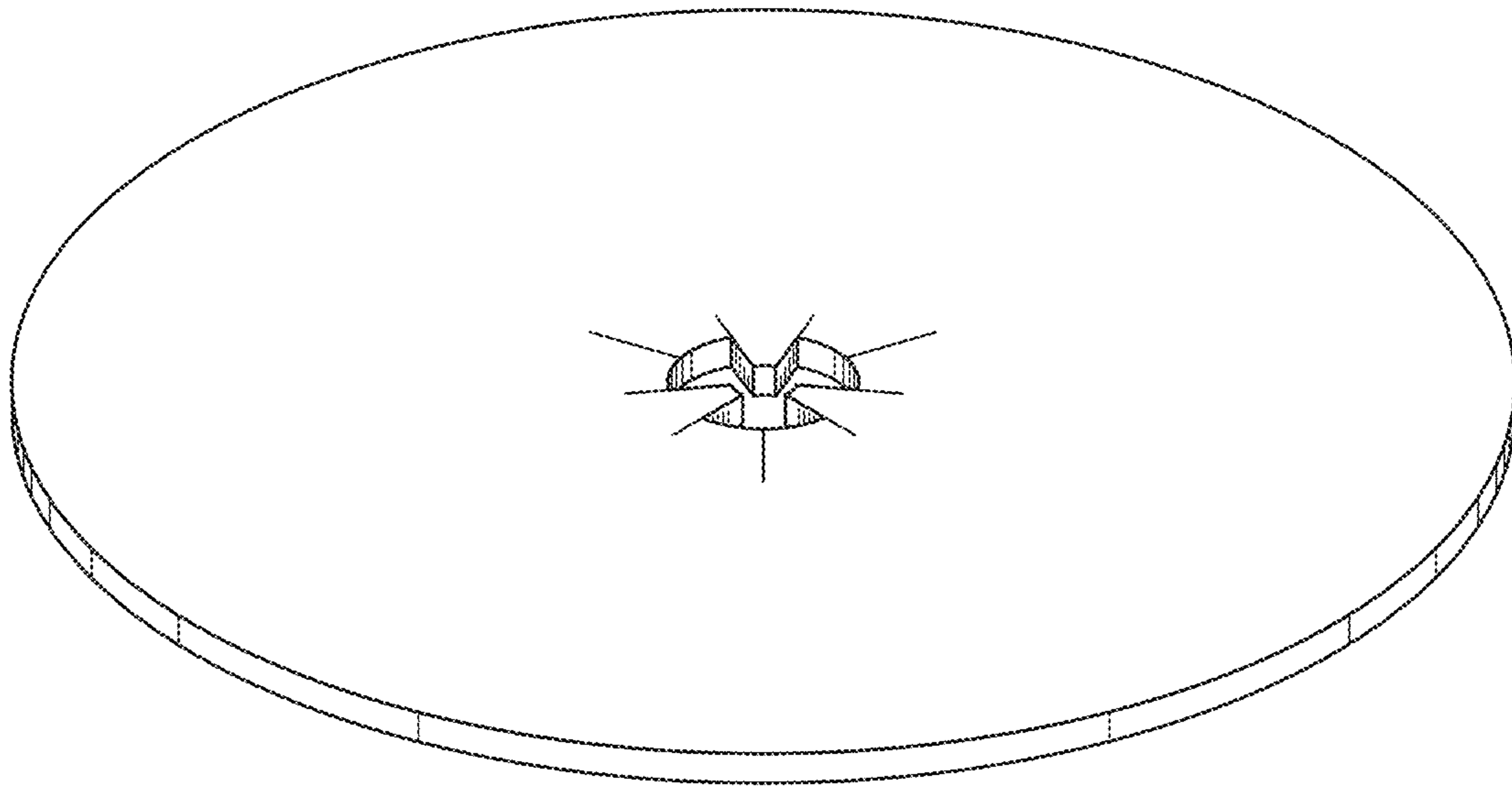


FIG. 1

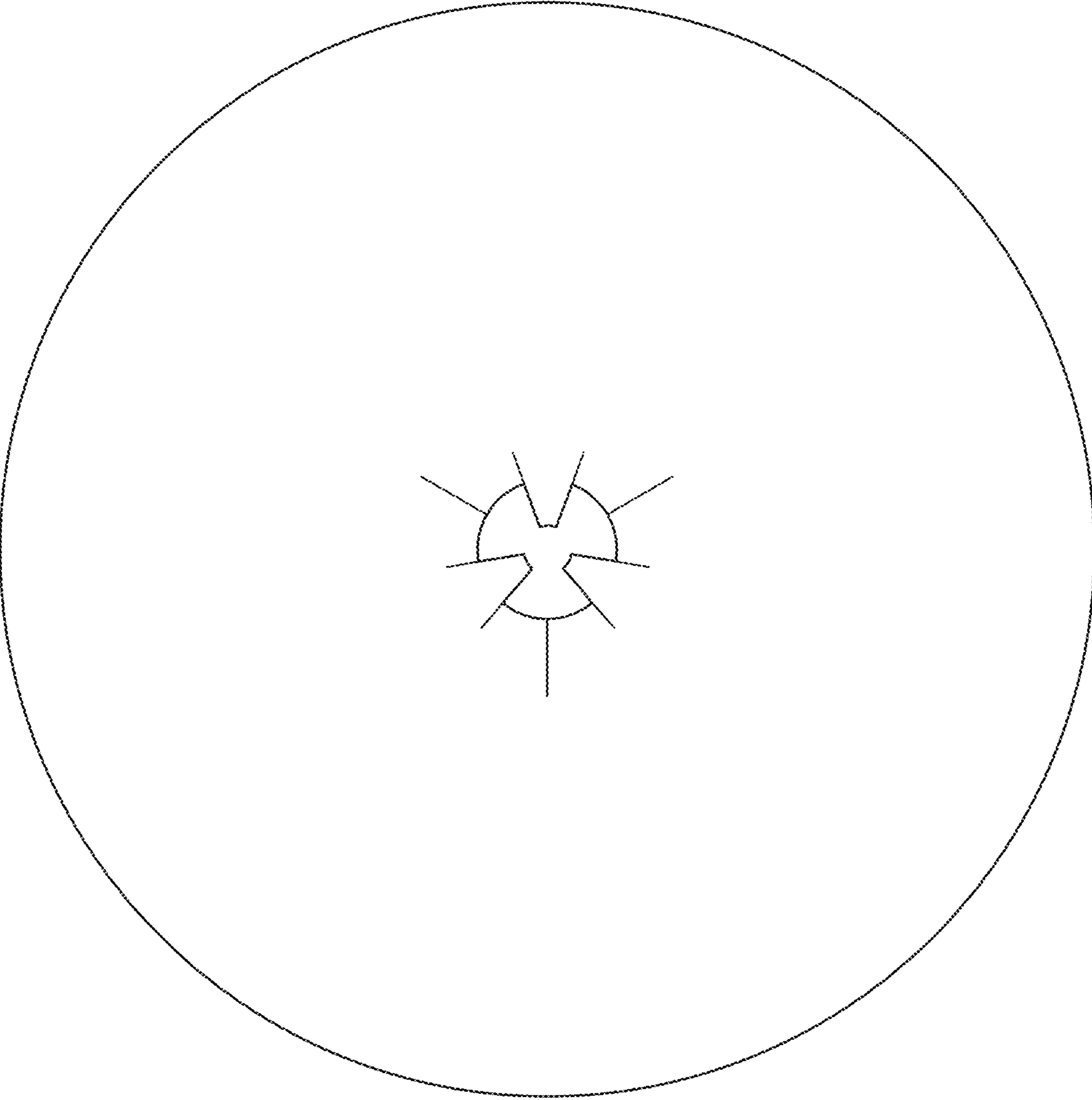


FIG. 2

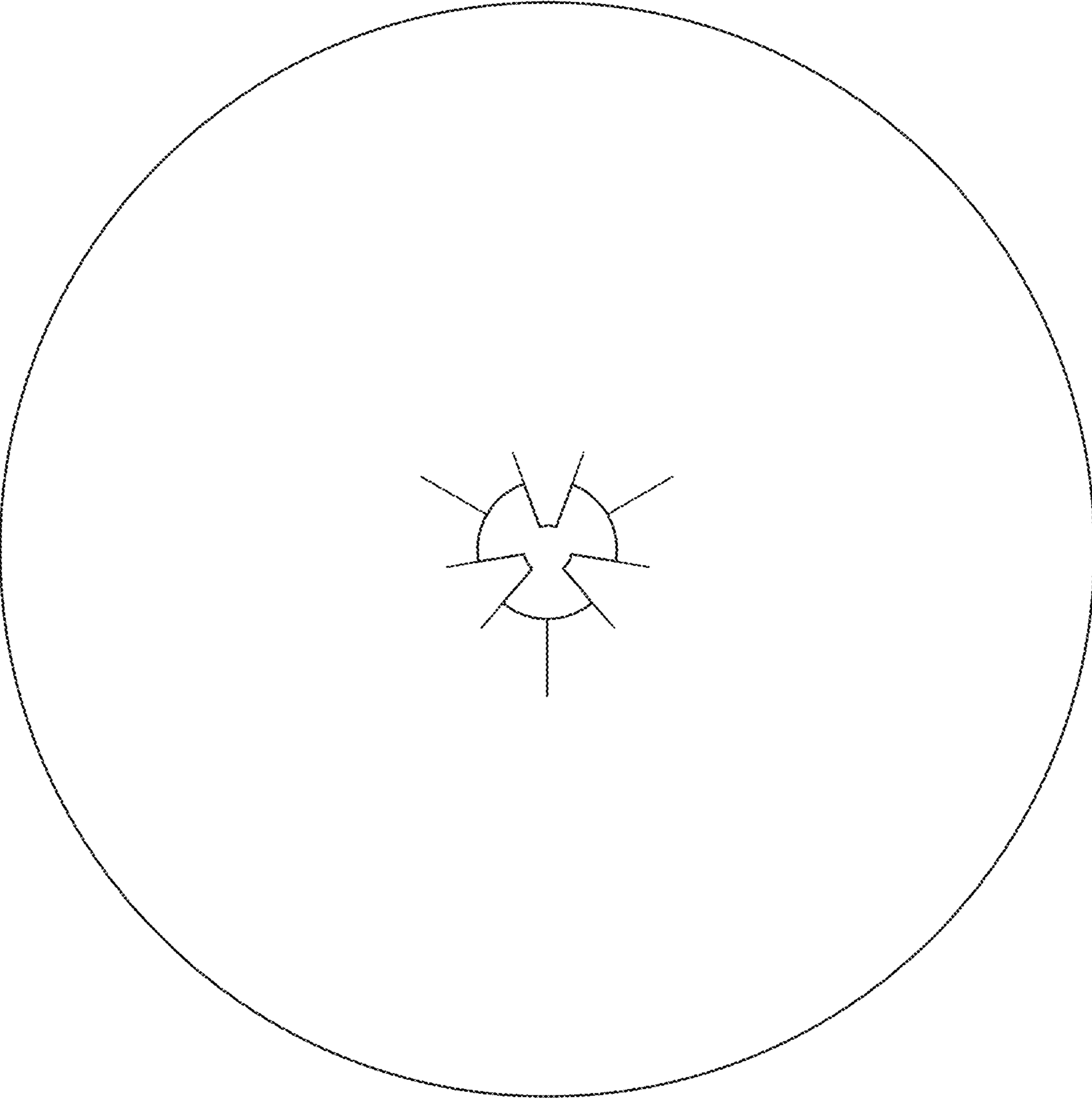


FIG. 3

UNITED STATES PATENT AND TRADEMARK OFFICE
CERTIFICATE OF CORRECTION

PATENT NO. : D978,934 S
APPLICATION NO. : 29/739407
DATED : February 21, 2023
INVENTOR(S) : Mihaich

Page 1 of 3

It is certified that error appears in the above-identified patent and that said Letters Patent is hereby corrected as shown below:

On the Title Page

Delete the Title Page and insert the attached Title Page showing the corrected number of Drawing Sheets.

In the Drawings

Following FIG. 3, please insert FIG. 4 as shown on the attached Drawing Sheet.

Signed and Sealed this
Eighteenth Day of February, 2025



Coke Morgan Stewart
Acting Director of the United States Patent and Trademark Office

(12) **United States Design Patent** (10) Patent No.: **US D978,934 S**
 Mihaich (45) Date of Patent: **** Feb. 21, 2023**

(54) **FLOOR EDGER SANDING DISC**
 (71) Applicants: **SAINT-GOBAIN ABRASIVES, INC.**,
 Worcester, MA (US); **SAINT-GOBAIN**
ABRASIFS, Conflans-Sainte-Honorine
 (FR)
 (72) Inventor: **Greg Mihaich**, Ballston Lake, NY (US)
 (73) Assignees: **SAINT-GOBAIN ABRASIVES, INC.**,
 Worcester, MA (US); **SAINT-GOBAIN**
ABRASIFS, Conflans-Sainte-Honorine
 (FR)

D382,452 S * 8/1997 Murkowski D15/139
 6,312,325 B1 11/2001 Van Osenbruggen
 D508,060 S * 8/2005 Olsen D15/126
 D528,407 S * 9/2006 Schwab D8/399
 D555,681 S * 11/2007 Popov D15/126
 D609,552 S * 2/2010 Anderson D8/349
 D651,062 S * 12/2011 Wackwitz D8/70
 D677,546 S * 3/2013 Zhou D8/70
 8,529,319 B2 9/2013 Gaspich et al.
 D690,961 S * 10/2013 Chou D6/580
 D692,747 S * 11/2013 Schwab D8/399

(Continued)

FOREIGN PATENT DOCUMENTS

EP 1679152 A1 * 7/2006 B24D 7/14
 EP 1679157 A1 * 7/2006 B24B 7/186

OTHER PUBLICATIONS

<https://www.amazon.com/Bosch-GS736-Arbor-Abrasive-Sanding/dp/B001DGYME0> Retrieved Oct. 21, 2020, 5 pages.

(Continued)

Primary Examiner — Patricia A Palasik
 (74) Attorney, Agent, or Firm — Abel Schillinger, LLP;
 Joseph P. Sullivan

(**) Term: **15 Years**
 (21) Appl. No.: **29/739,407**
 (22) Filed: **Jun. 25, 2020**
 (51) LOC (14) CL **15-09**
 (52) U.S. CL
 USPC **D15/126**
 (58) Field of Classification Search
 USPC D8/14, 16, 19, 20, 70, 98; D15/124, 126,
 D15/138, 139
 CPC B24B 7/186; B24B 23/02
 See application file for complete search history.

(57) **CLAIM**

The ornamental design for a floor edger sanding disc, as shown and described.

DESCRIPTION

FIG. 1 is a perspective view of a floor edger sanding disc according to the present design.
 FIG. 2 is a top view of the floor edger sanding disc.
 FIG. 3 is a back view of the floor edger sanding disc; and,
 FIG. 4 is a side view of the floor edger sanding disc.
 The broken lines in the figures depict portions of the floor edger sanding disc that form no part of the claimed design.

1 Claim, 4 Drawing Sheets

(56) **References Cited**
 U.S. PATENT DOCUMENTS
 3,796,124 A * 3/1974 Crosa F16B 21/20
 411/521
 4,730,952 A * 3/1988 Wiley B24B 45/006
 30/388
 4,775,273 A * 10/1988 Bauer F16B 2/205
 403/377
 5,048,366 A * 9/1991 Spanio F16H 53/02
 74/567
 5,163,797 A * 11/1992 Patti B60B 7/00
 411/372.6
 D342,883 S * 1/1994 Brandenburg, Jr. D8/70

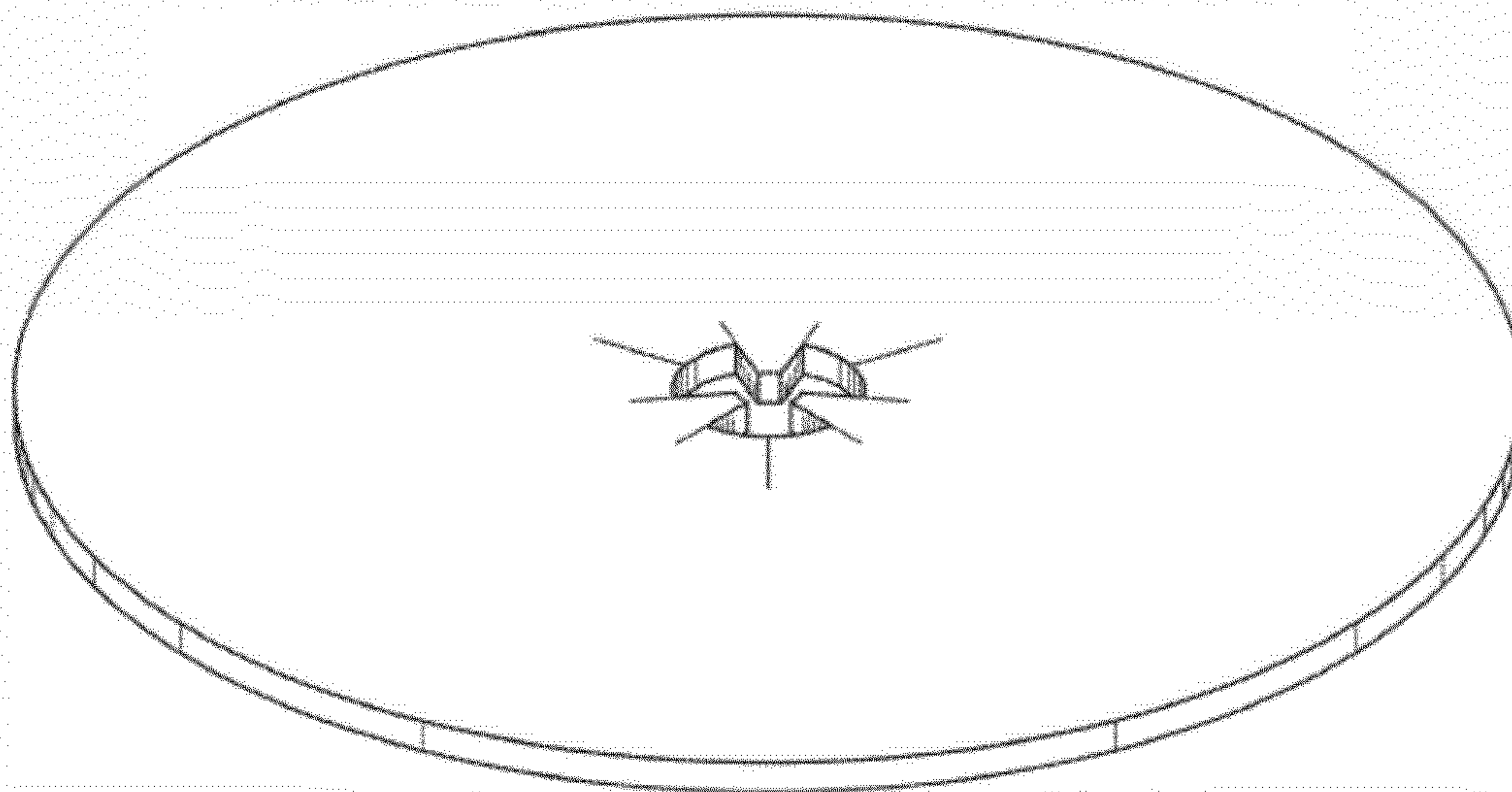




FIG. 4