



US00D978933S

(12) **United States Design Patent**
Naulapää et al.

(10) **Patent No.:** **US D978,933 S**

(45) **Date of Patent:** **** Feb. 21, 2023**

(54) **COATING MACHINE**

(71) Applicant: **Beneq Oy**, Espoo (FI)

(72) Inventors: **Heikki Naulapää**, Helsinki (FI); **Hulda Aminoff**, Espoo (FI)

(73) Assignee: **Beneq Oy**, Espoo (FI)

(**) Term: **15 Years**

(21) Appl. No.: **29/846,575**

(22) Filed: **Jul. 18, 2022**

Related U.S. Application Data

(62) Division of application No. 29/721,033, filed on Jan. 17, 2020.

(30) **Foreign Application Priority Data**

Jul. 18, 2019 (EM) 006632881

(51) **LOC (14) Cl.** **15-09**

(52) **U.S. Cl.**
USPC **D15/122**

(58) **Field of Classification Search**
USPC D15/122-126, 147, 199; D9/436;
D7/376

CPC .. B01F 3/18; B01F 3/20; B01F 3/2078; B01F
9/06; B01F 15/065; B01F 2009/0092
See application file for complete search history.

(56) **References Cited**

U.S. PATENT DOCUMENTS

D173,831 S 1/1955 Blazek et al.
D567,264 S 4/2008 Muller et al.

D622,296 S 8/2010 Ueberschlag
D674,420 S 1/2013 Ueberschlag et al.
D757,136 S 5/2016 Yu
D837,844 S * 1/2019 Simpson D15/138
D843,423 S * 3/2019 Maringer D15/122
D847,223 S * 4/2019 Bartolo D15/122
D858,591 S * 9/2019 Koch D15/135
D893,563 S * 8/2020 Crisp D15/122
D893,566 S * 8/2020 Chen D15/122
D915,480 S * 4/2021 Fiala D15/144
D940,763 S 1/2022 Zhao
D941,370 S 1/2022 Schmitt

* cited by examiner

Primary Examiner — Michael C Stout

Assistant Examiner — Fritzgerald L Butac

(74) *Attorney, Agent, or Firm* — Banner & Witcoff, Ltd.

(57) **CLAIM**

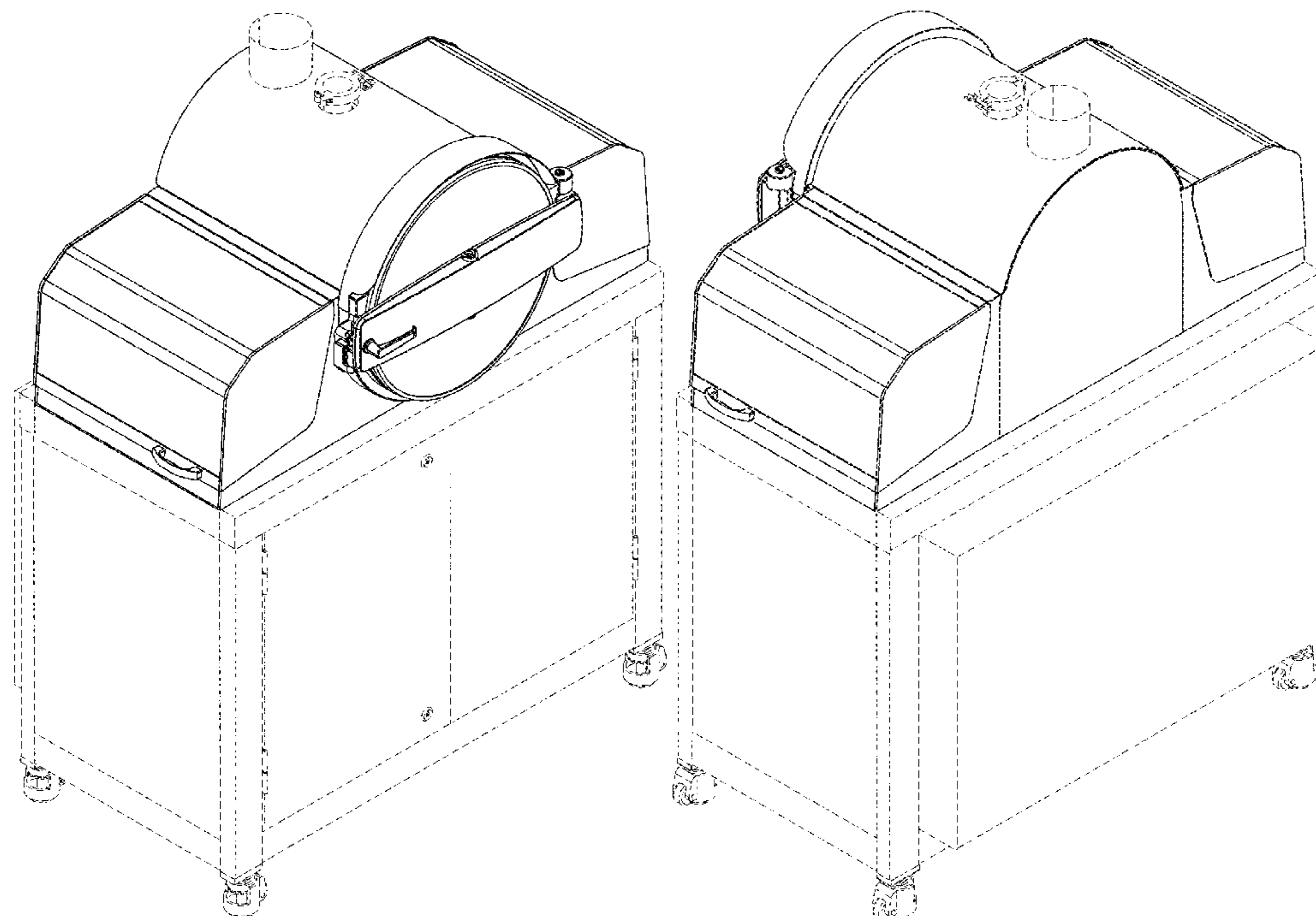
The ornamental design for a coating machine, as shown and described.

DESCRIPTION

FIG. 1 is a perspective front view of a coating machine showing our new design;
FIG. 2 is an alternative perspective front view thereof;
FIG. 3 is a front view thereof;
FIG. 4 is a rear view thereof;
FIG. 5 is a top plan view thereof;
FIG. 6 is a perspective rear view thereof; and,
FIG. 7 is a perspective front view with a chamber door in an open in-use position thereof.

The broken lines shown in the figures illustrate environmental structure and form no part of the claimed design.

1 Claim, 7 Drawing Sheets



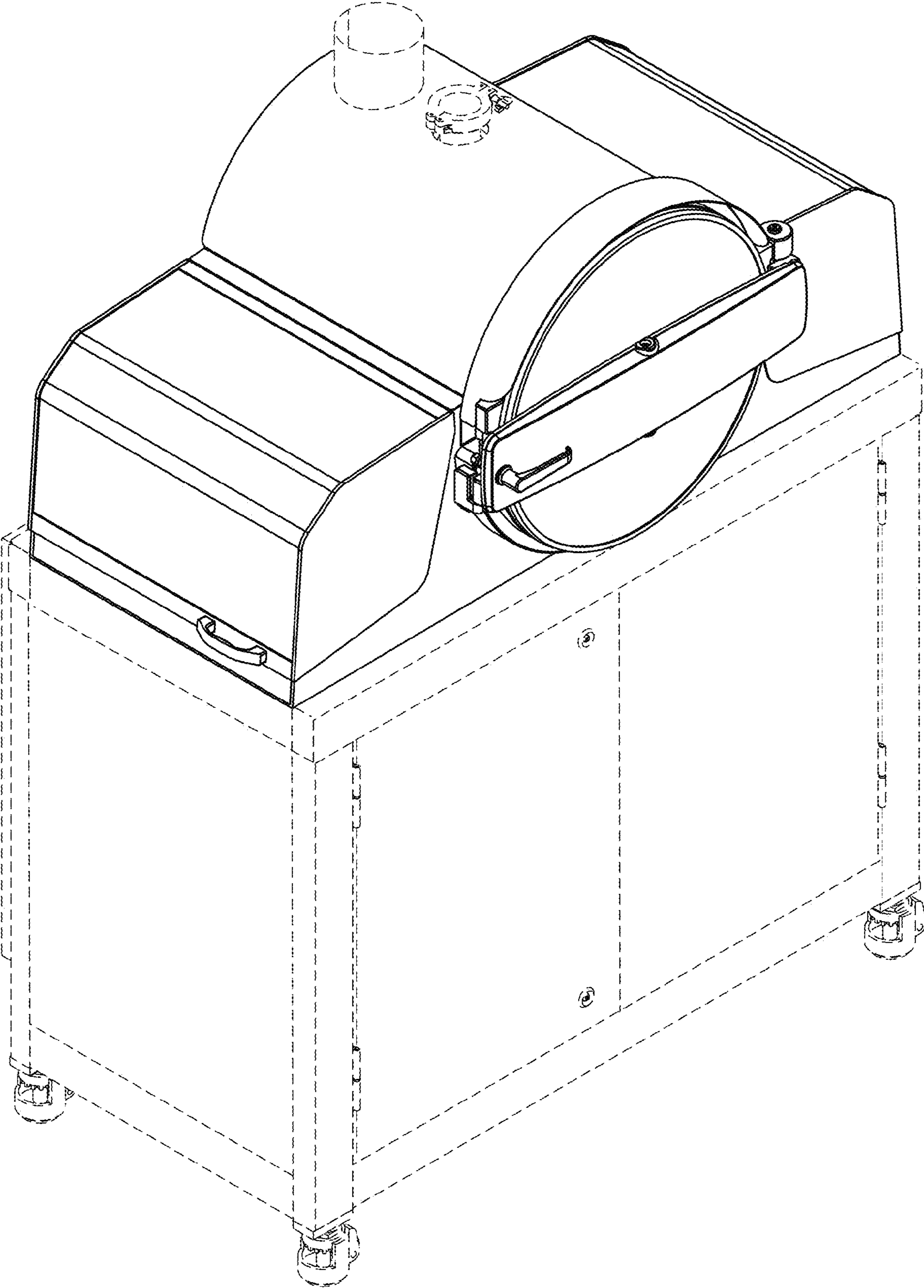


FIG. 1

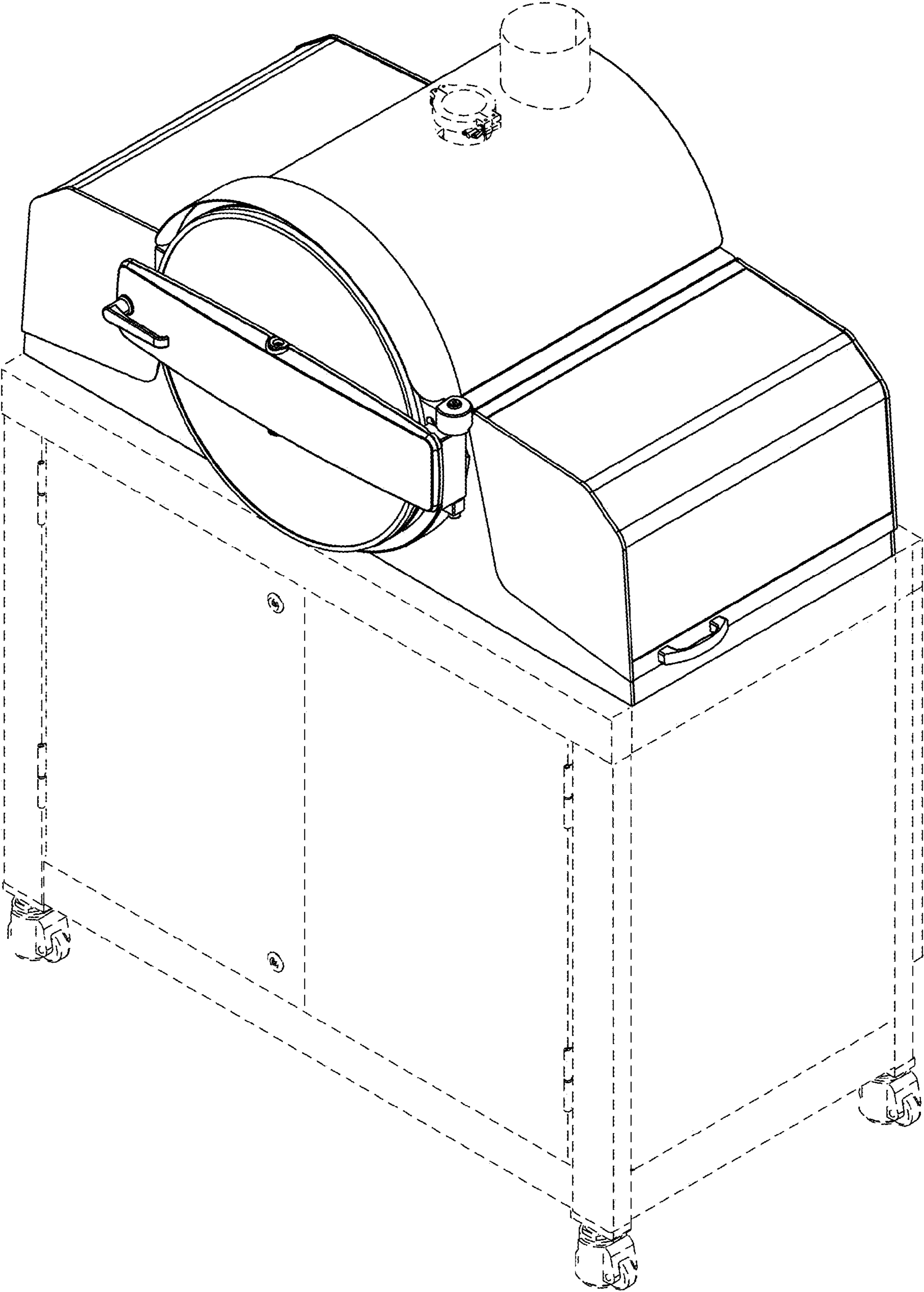


FIG. 2

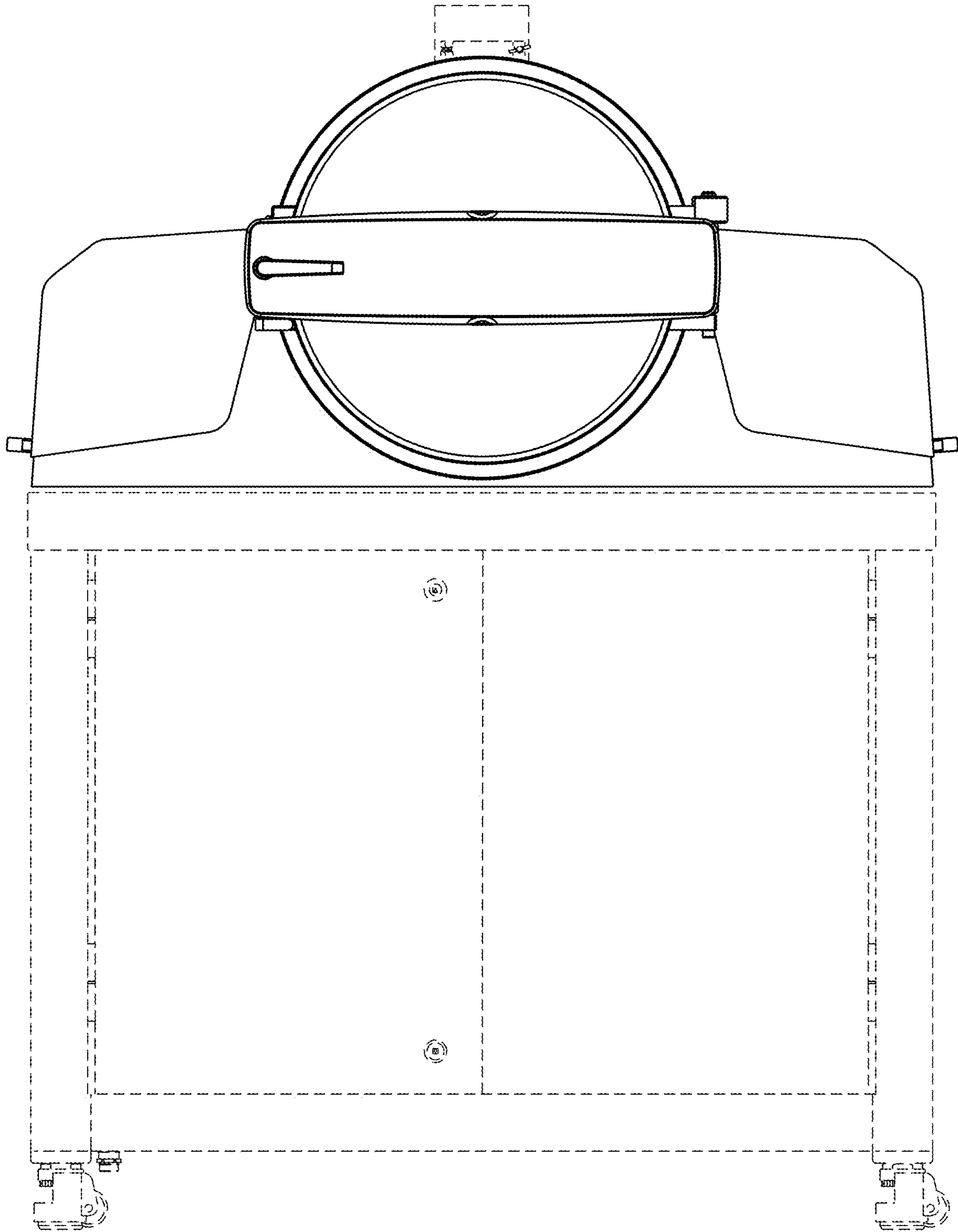


FIG. 3

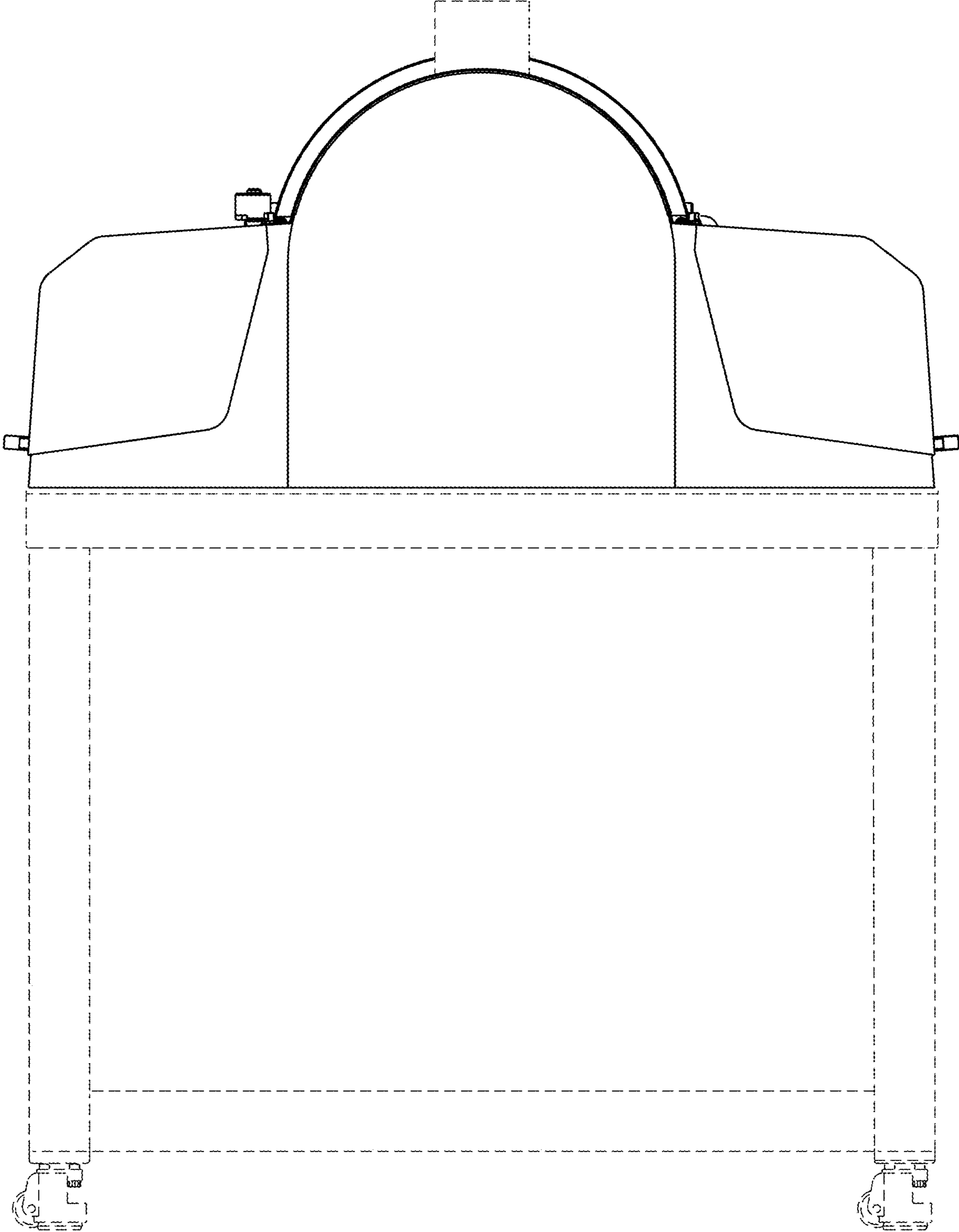


FIG. 4

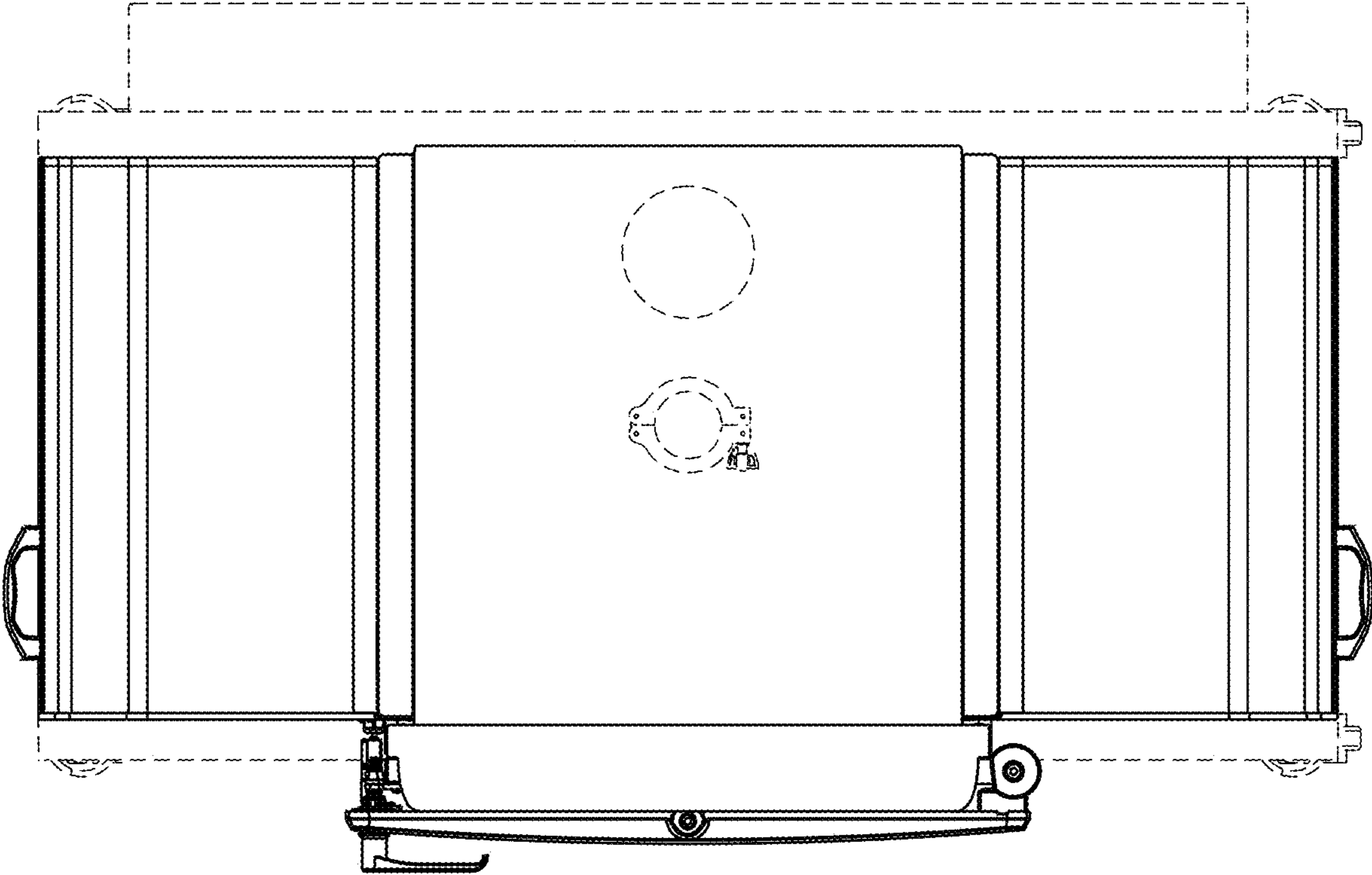


FIG. 5

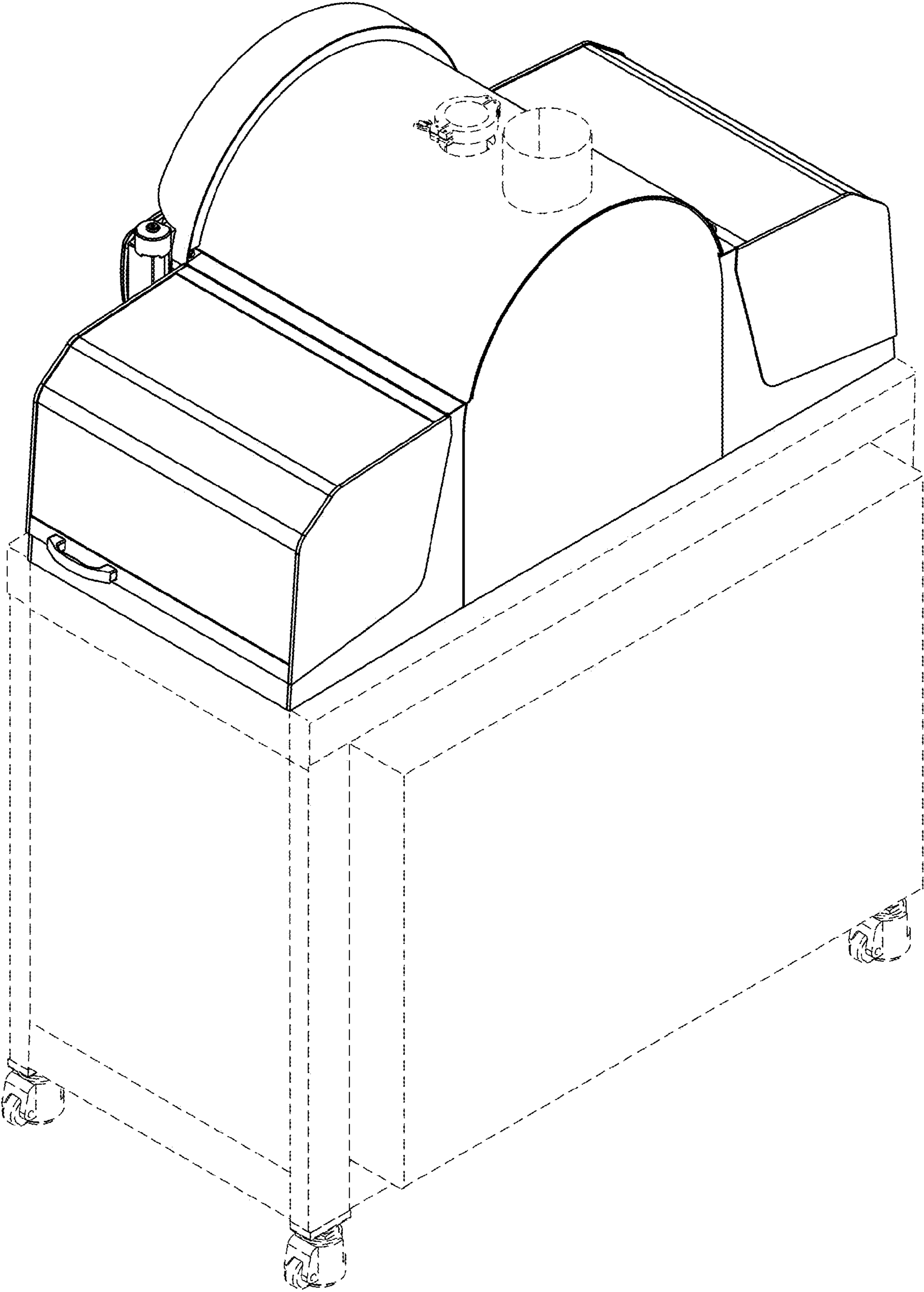


FIG. 6

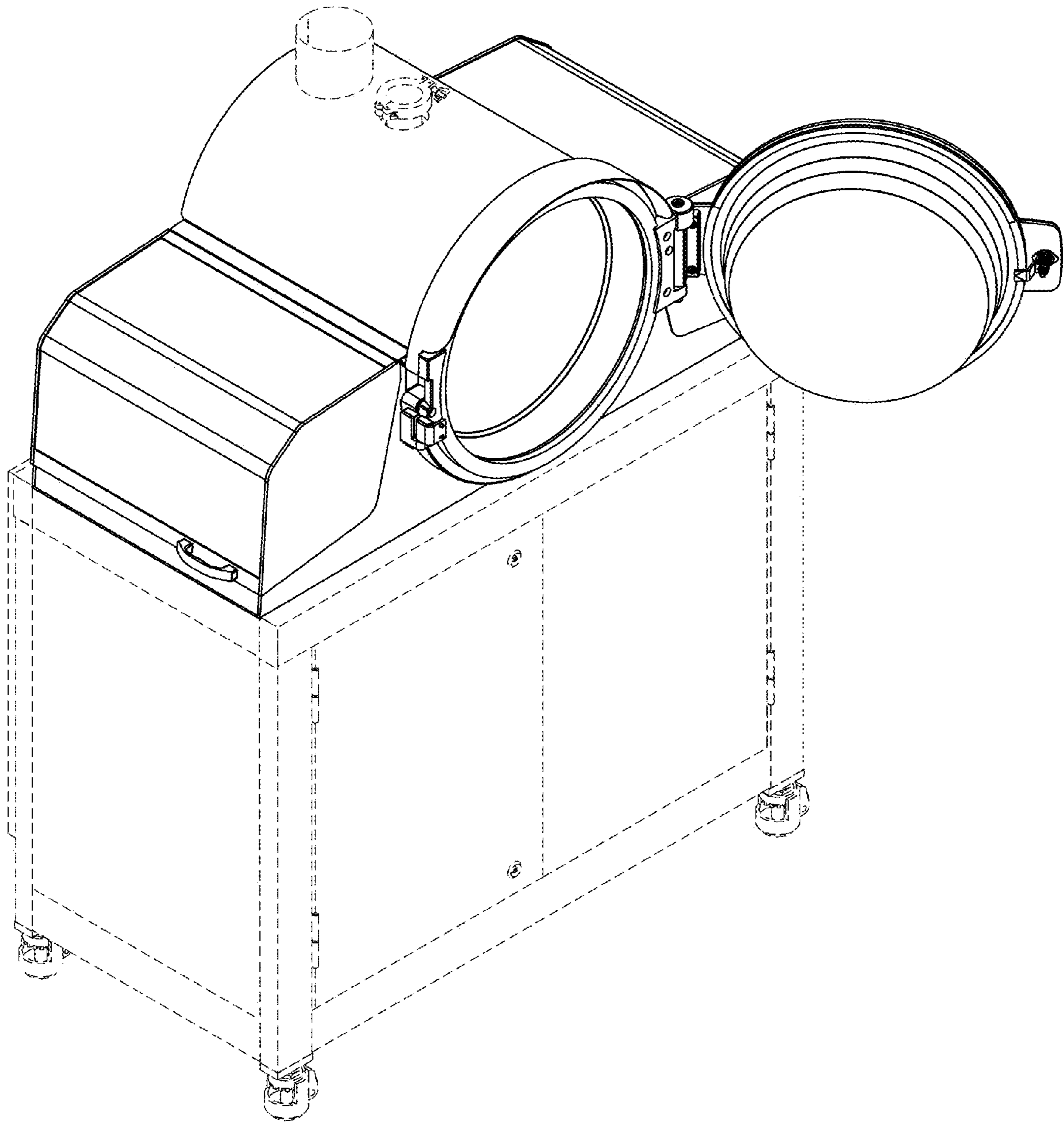


FIG. 7