



US00D978932S

(12) **United States Design Patent**  
**Naulapää et al.**

(10) **Patent No.:** **US D978,932 S**  
(45) **Date of Patent:** **\*\* Feb. 21, 2023**

(54) **COATING MACHINE**

(71) Applicant: **Beneq Oy**, Espoo (FI)

(72) Inventors: **Heikki Naulapää**, Helsinki (FI); **Hulda Aminoff**, Espoo (FI)

(73) Assignee: **Beneq Oy**, Espoo (FI)

(\*\*) Term: **15 Years**

(21) Appl. No.: **29/846,561**

(22) Filed: **Jul. 18, 2022**

**Related U.S. Application Data**

(62) Division of application No. 29/721,033, filed on Jan. 17, 2020.

(30) **Foreign Application Priority Data**

Jul. 18, 2019 (EM) ..... 006632881

(51) **LOC (14) Cl.** ..... **15-09**

(52) **U.S. Cl.**  
USPC ..... **D15/122**

(58) **Field of Classification Search**  
USPC ..... D15/122-126, 147, 199; D9/436;  
D7/376

CPC .. B01F 3/18; B01F 3/20; B01F 3/2078; B01F  
9/06; B01F 15/065; B01F 2009/0092

See application file for complete search history.

(56) **References Cited**

U.S. PATENT DOCUMENTS

D173,831 S	1/1955	Blazek et al.	
D567,264 S	4/2008	Muller et al.	
D622,296 S	8/2010	Ueberschlag	
D674,420 S	1/2013	Ueberschlag et al.	
D757,136 S	5/2016	Yu	
D837,844 S *	1/2019	Simpson .....	D15/138
D843,423 S *	3/2019	Maringer .....	D15/122
D847,223 S *	4/2019	Bartolo .....	D15/122
D858,591 S *	9/2019	Koch .....	D15/135
D893,563 S *	8/2020	Crisp .....	D15/122
D893,566 S *	8/2020	Chen .....	D15/122
D915,480 S *	4/2021	Fiala .....	D15/144
D940,763 S	1/2022	Zhao	
D941,370 S	1/2022	Schmitt	

\* cited by examiner

*Primary Examiner* — Michael C Stout

*Assistant Examiner* — Fitzgerald L Butac

(74) *Attorney, Agent, or Firm* — Banner & Witcoff, Ltd.

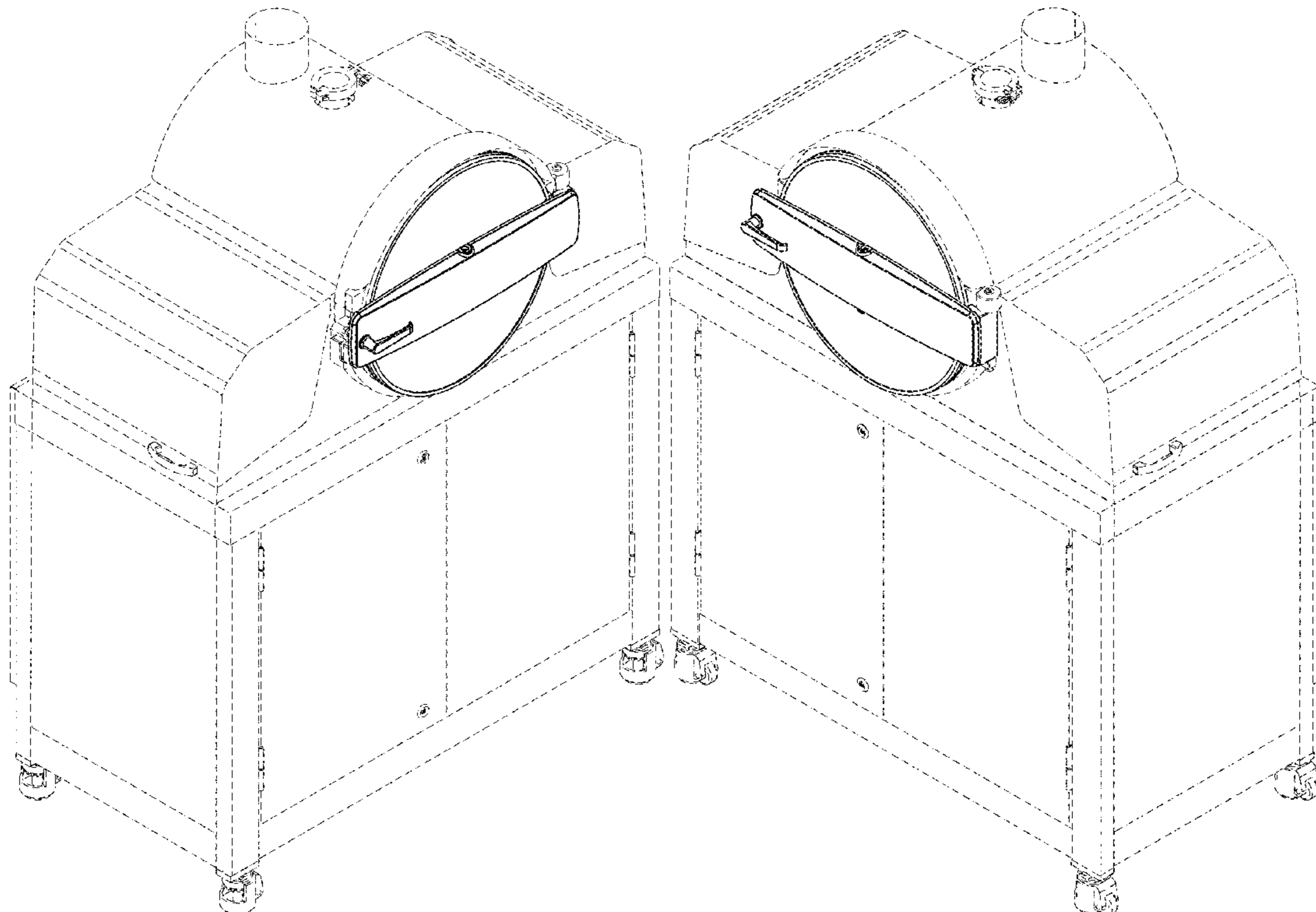
(57) **CLAIM**

The ornamental design for a coating machine, as shown and described.

**DESCRIPTION**

FIG. 1 is a front view of a coating machine showing our new design;  
FIG. 2 is a perspective front view thereof; and,  
FIG. 3 is an alternative perspective front view thereof.  
The broken lines shown in the figures illustrate environmental structure and form no part of the claimed design.

**1 Claim, 3 Drawing Sheets**



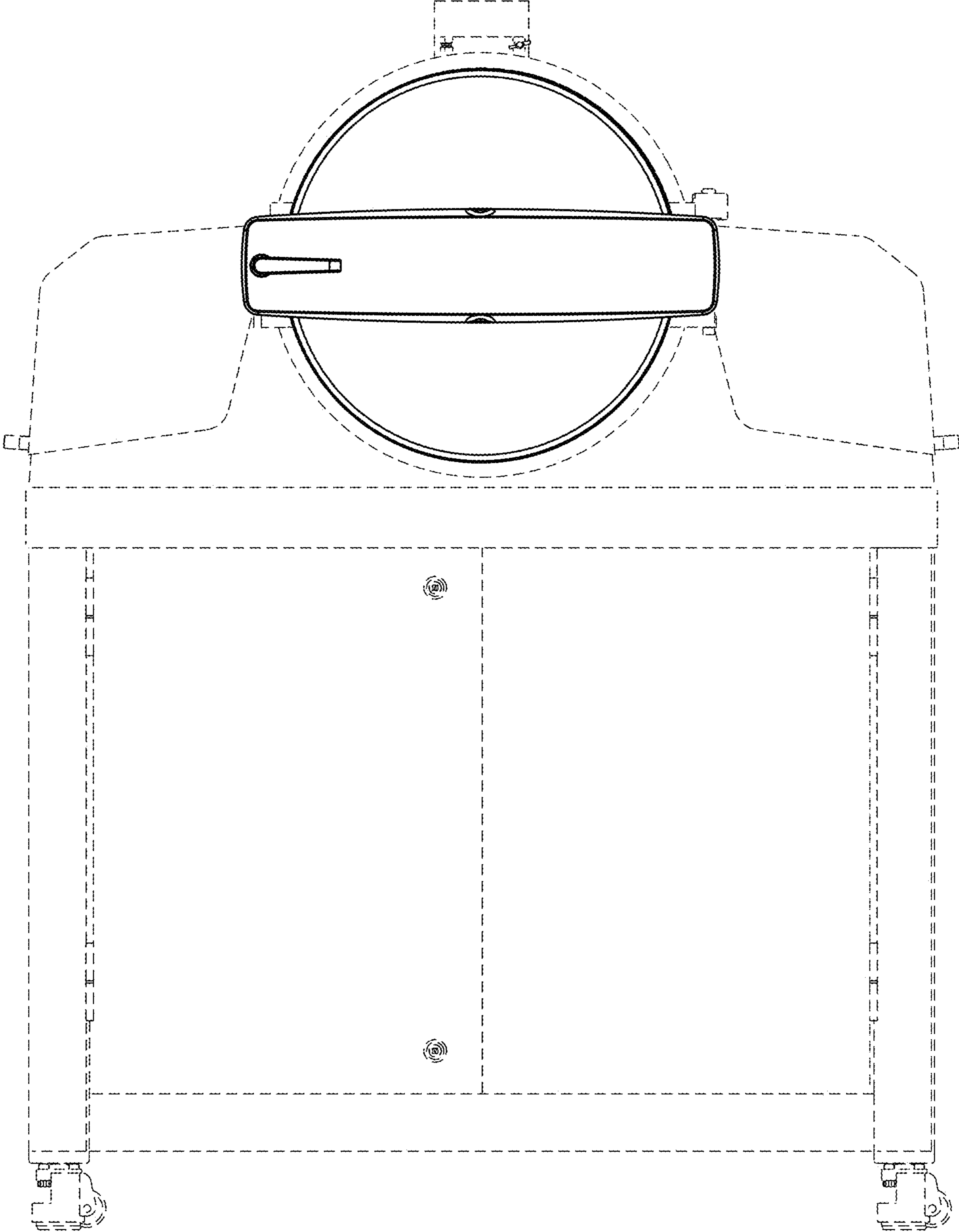


FIG. 1

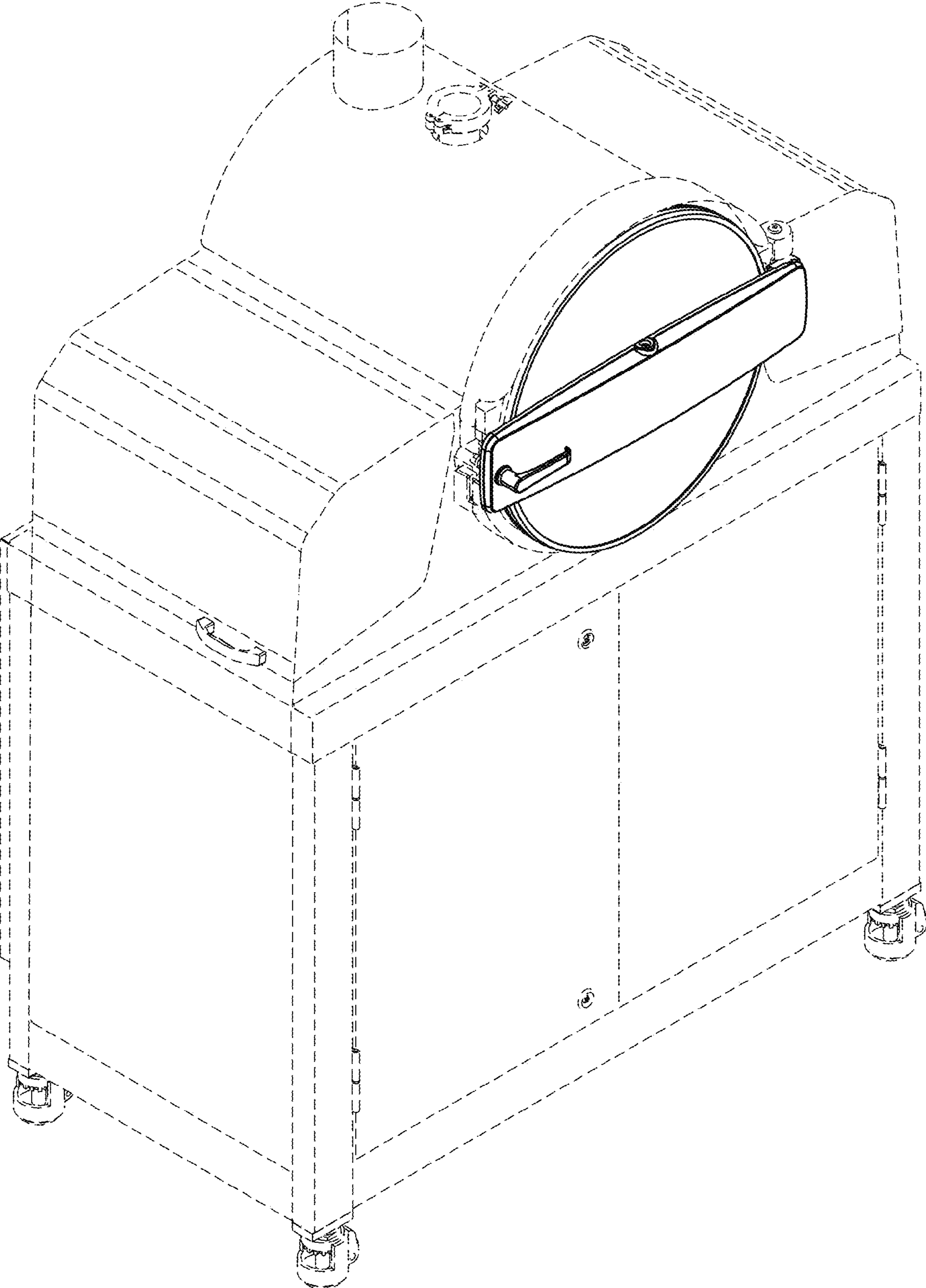


FIG. 2

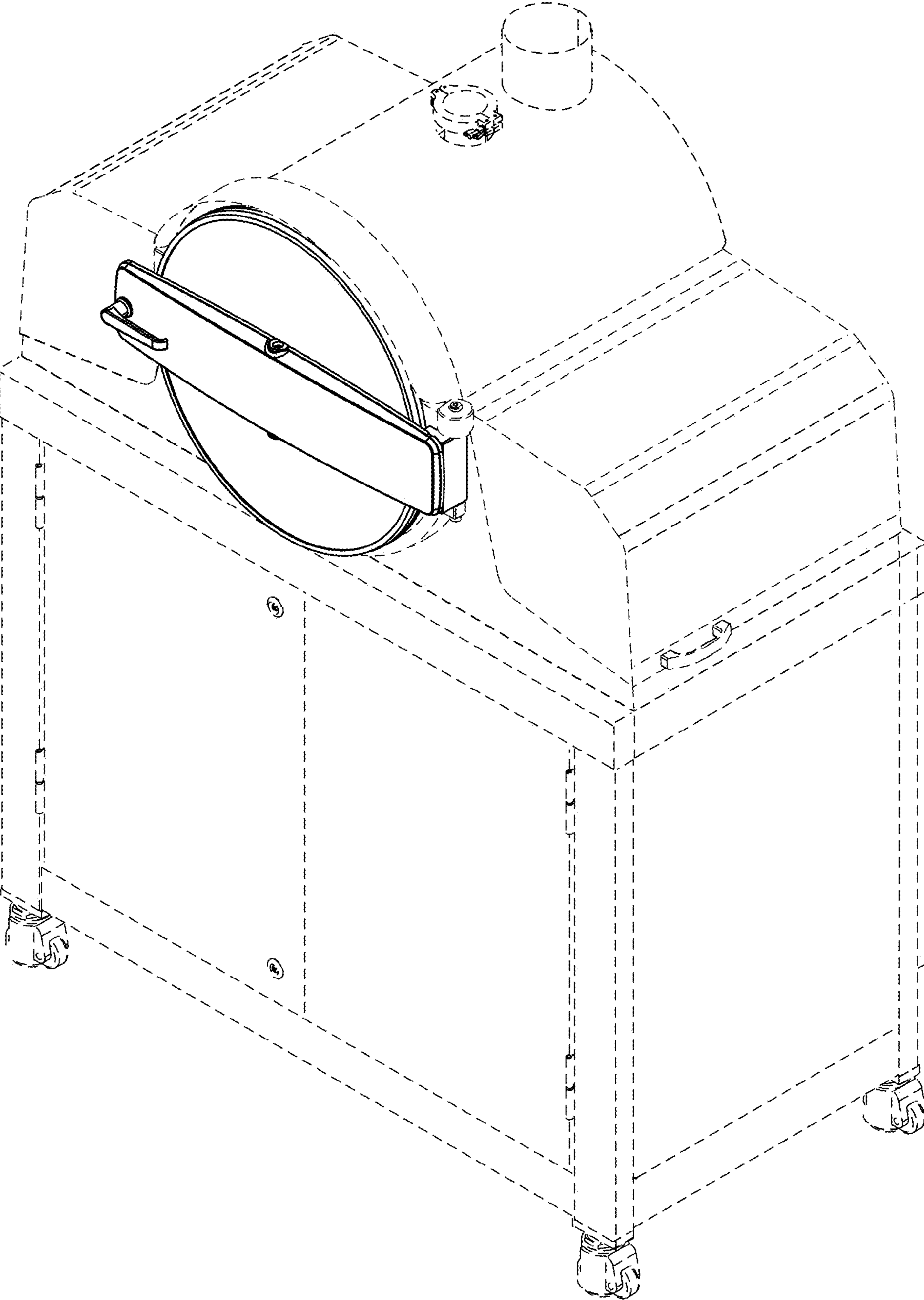


FIG. 3