



US00D978931S

(12) **United States Design Patent** (10) **Patent No.:** **US D978,931 S**
Reches et al. (45) **Date of Patent:** **** Feb. 21, 2023**

(54) **POWDER SIFTER**

(71) Applicant: **Formlabs, Inc.**, Somerville, MA (US)

(72) Inventors: **Yoav Reches**, Cambridge, MA (US);
John E. Ouchterlony, Cambridge, MA (US); **Brian Chan**, Cambridge, MA (US); **Kat Ely**, Somerville, MA (US); **Adam Lebovitz**, Cambridge, MA (US)

(73) Assignee: **Formlabs, Inc.**, Somerville, MA (US)

(**) Term: **15 Years**

(21) Appl. No.: **29/824,278**

(22) Filed: **Jan. 24, 2022**

Related U.S. Application Data

(62) Division of application No. 29/739,152, filed on Jun. 23, 2020, now Pat. No. Des. 941,892.

(51) **LOC (14) Cl.** **15-09**

(52) **U.S. Cl.**
USPC **D15/122**; D15/199

(58) **Field of Classification Search**
USPC D15/20, 21, 83, 122–125, 135, 141,
D15/141.1, 145, 147, 199; D34/1.1;
D7/339, 374, 386, 667, 668; D25/33;
D99/99
CPC ... B24C 9/00; B01F 5/06; B08B 15/02; B07B
1/22; B05C 15/00
See application file for complete search history.

(56) **References Cited**

U.S. PATENT DOCUMENTS

- 2,163,766 A * 6/1939 Spencer B01F 5/06
209/244
- 2,369,396 A * 2/1945 Higginbotham A61G 11/00
600/22
- 2,721,779 A * 10/1955 Fulkerson B25H 3/02
312/351.8

- D250,196 S * 11/1978 Caccioli D15/124
 - 4,300,318 A * 11/1981 Brown B24C 3/02
451/38
 - D273,195 S * 3/1984 Ferdinand D15/141
 - 4,603,925 A * 8/1986 Cuevas-Cumming
A47B 21/00
312/196
 - D286,643 S * 11/1986 Carney D15/123
- (Continued)

OTHER PUBLICATIONS

Formlabs, Fuse Sift “All-In-One Powder Recovery for the Fuse 1”, (site visited May 6, 2021), Formlabs.com, URL:<https://formlabs.com/post-processing/fuse-sift/> (Year: 2021).*

(Continued)

Primary Examiner — Calvin E Vansant

Assistant Examiner — Mark T. Philipps

(74) *Attorney, Agent, or Firm* — Wolf, Greenfield & Sacks, P.C.

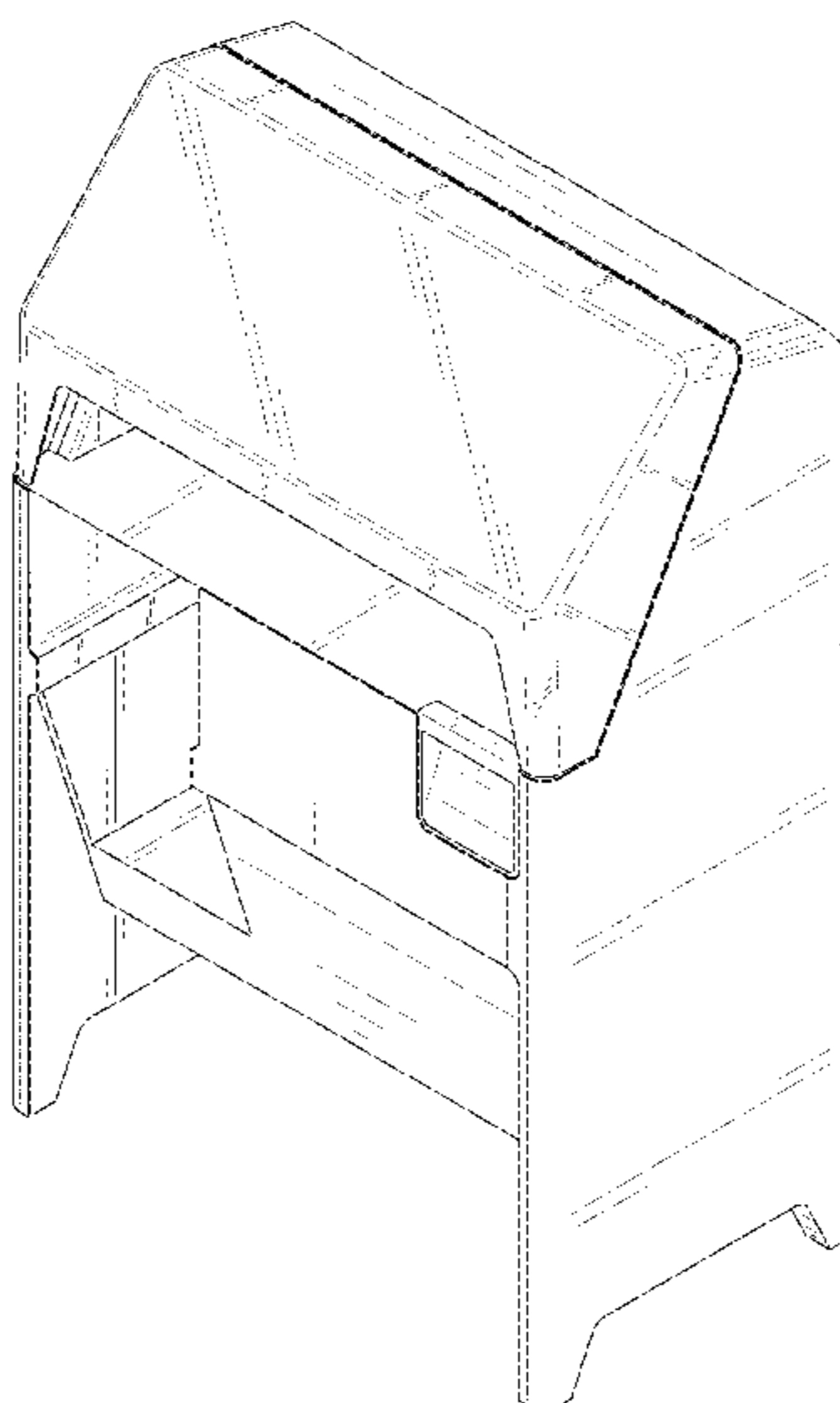
(57) **CLAIM**

The ornamental design for a powder sifter, as shown and described.

DESCRIPTION

FIG. 1 is a top, front, right side perspective view of a powder sifter according to our new design;
FIG. 2 is a top, front, left side perspective view thereof;
FIG. 3 is a front elevation view thereof;
FIG. 4 is a rear elevation view thereof;
FIG. 5 is a left side elevation view thereof;
FIG. 6 is a right side elevation view thereof;
FIG. 7 is a top plan view thereof; and,
FIG. 8 is a bottom plan view thereof.
Any dash-dash broken lines illustrate portions of the powder sifter that form no part of the claimed design.
The diagonal shading represents a transparent or translucent appearance.

1 Claim, 8 Drawing Sheets



US D978,931 S

Page 2

(56)

References Cited

U.S. PATENT DOCUMENTS

- | | | | | |
|-------------------|---------|----------------|-------|----------------------------|
| D303,439 S * | 9/1989 | Savio | | D99/28 |
| 5,143,102 A * | 9/1992 | Blaul | | B08B 3/006
134/113 |
| D415,923 S * | 11/1999 | Hermansson | | D7/323 |
| 6,878,046 B2 * | 4/2005 | Publ | | B24C 9/00
451/36 |
| D627,592 S * | 11/2010 | Wen | | D7/339 |
| D844,377 S * | 4/2019 | Kacalek | | D7/395 |
| D882,651 S * | 4/2020 | Moser | | D15/135 |
| D907,077 S * | 1/2021 | Gjovik | | D15/122 |
| D934,313 S * | 10/2021 | Reches | | D15/122 |
| D941,891 S * | 1/2022 | Di Vita | | D15/122 |
| D941,892 S * | 1/2022 | Reches | | D15/199 |
| 2002/0168924 A1 * | 11/2002 | Visaisouk | | B24C 9/00
451/39 |
| 2007/0034613 A1 * | 2/2007 | Lundberg | | B23K 26/0876
219/121.68 |
| 2008/0185365 A1 * | 8/2008 | Yang | | B23K 26/361
219/121.6 |
| 2008/0278041 A1 * | 11/2008 | Lloyd | | F24F 3/163
312/209 |
| 2008/0315738 A1 * | 12/2008 | Tan | | B24C 9/00
312/258 |
| 2016/0001420 A1 * | 1/2016 | Robinson | | B24C 9/00
451/38 |
| 2016/0023491 A1 * | 1/2016 | Vellutato, Jr. | | B65H 31/00
312/50 |
| 2017/0276395 A1 * | 9/2017 | Nyhof | | F24F 13/20 |
| 2018/0164147 A1 * | 6/2018 | Liebsch | | B01L 1/04 |
| 2019/0134669 A1 * | 5/2019 | Mack | | B07B 1/22 |
| 2020/0254689 A1 * | 8/2020 | Gjovik | | B33Y 10/00 |

OTHER PUBLICATIONS

Sinterit, Powder Sieve, (site visited May 7, 2021), Sinterit.com, URL:<<https://www.sinterit.com/powder-sieve/>> (Year: 2021).*

* cited by examiner

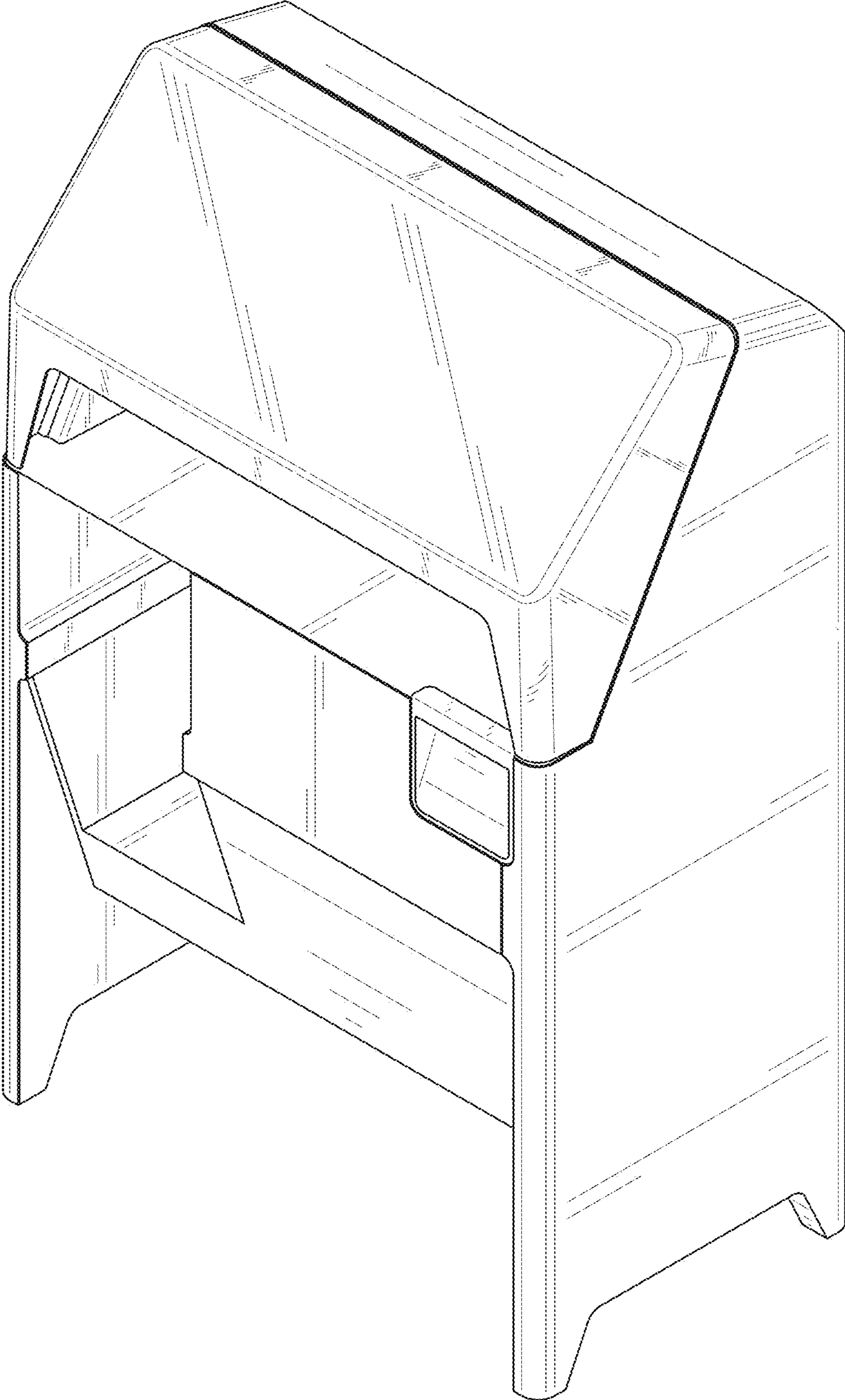


FIG. 1

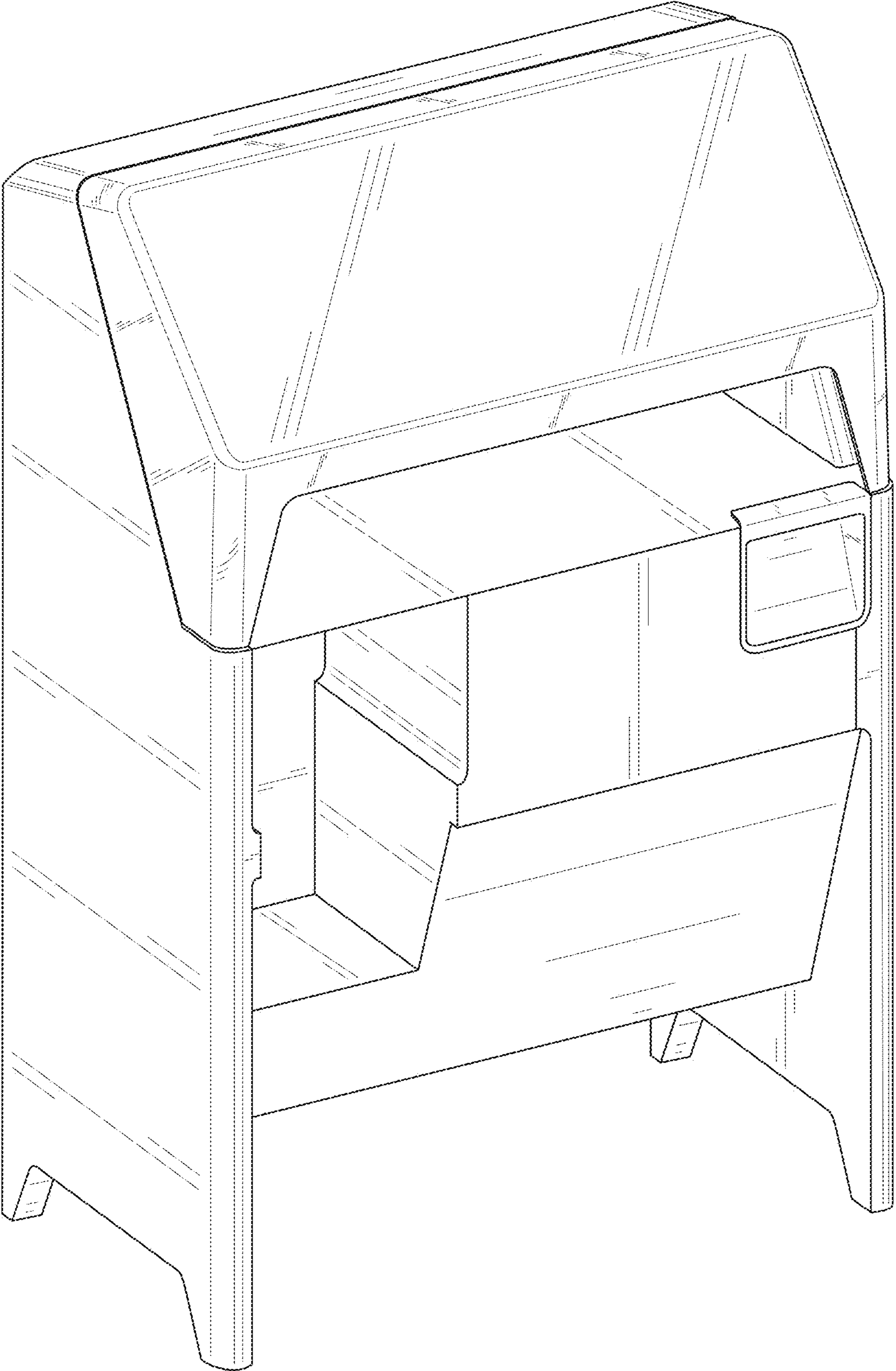


FIG. 2

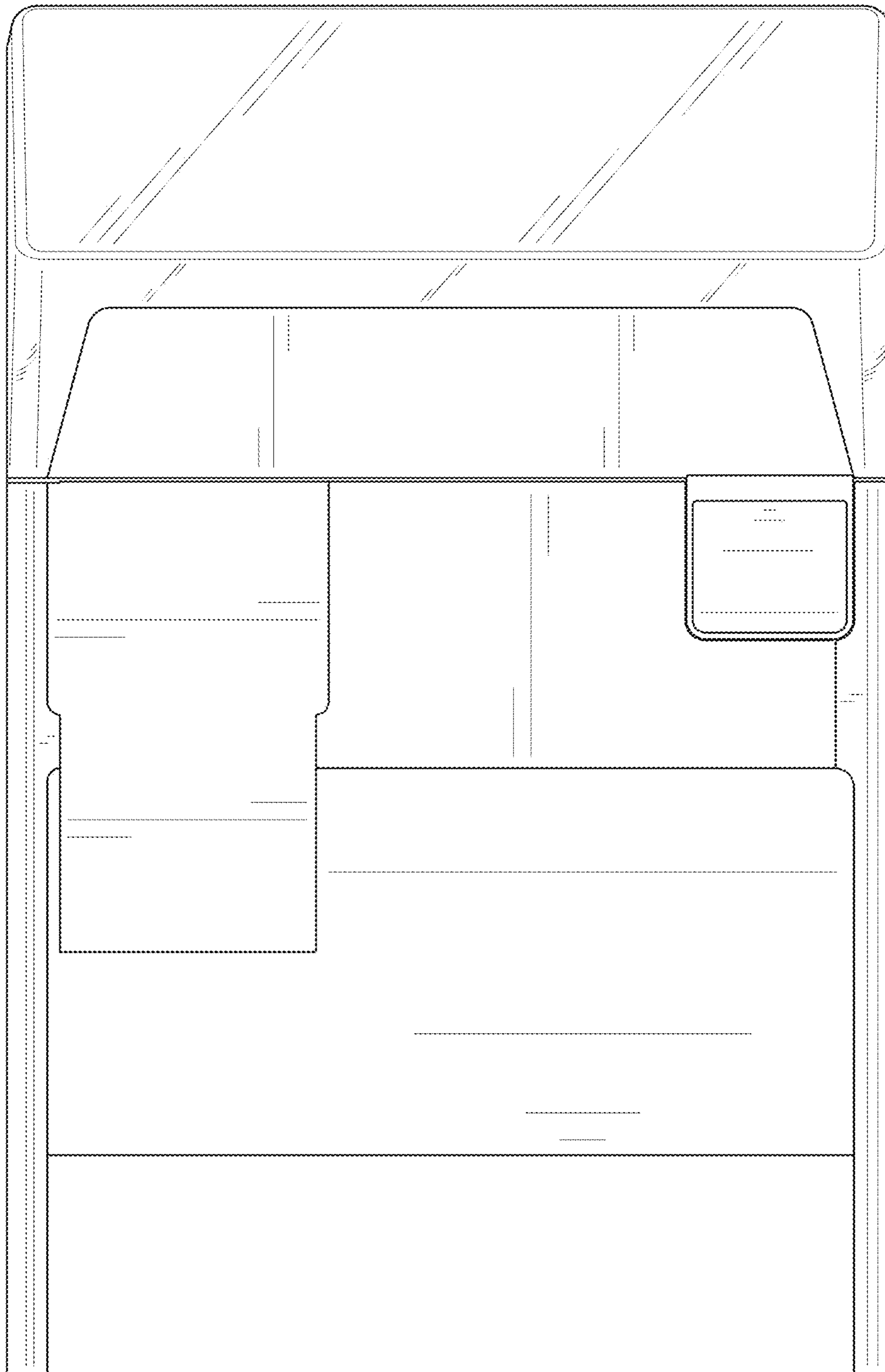


FIG. 3

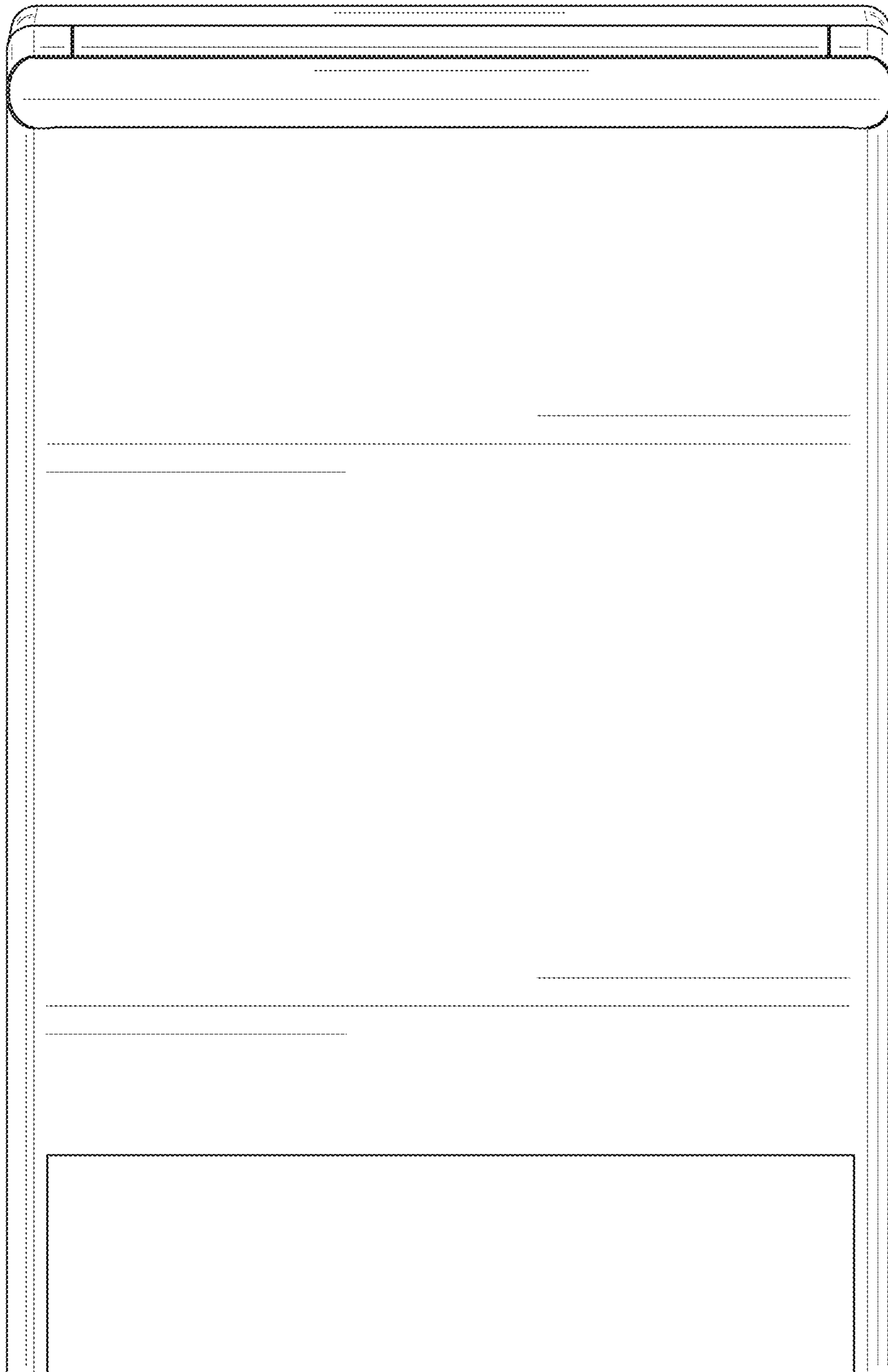


FIG. 4

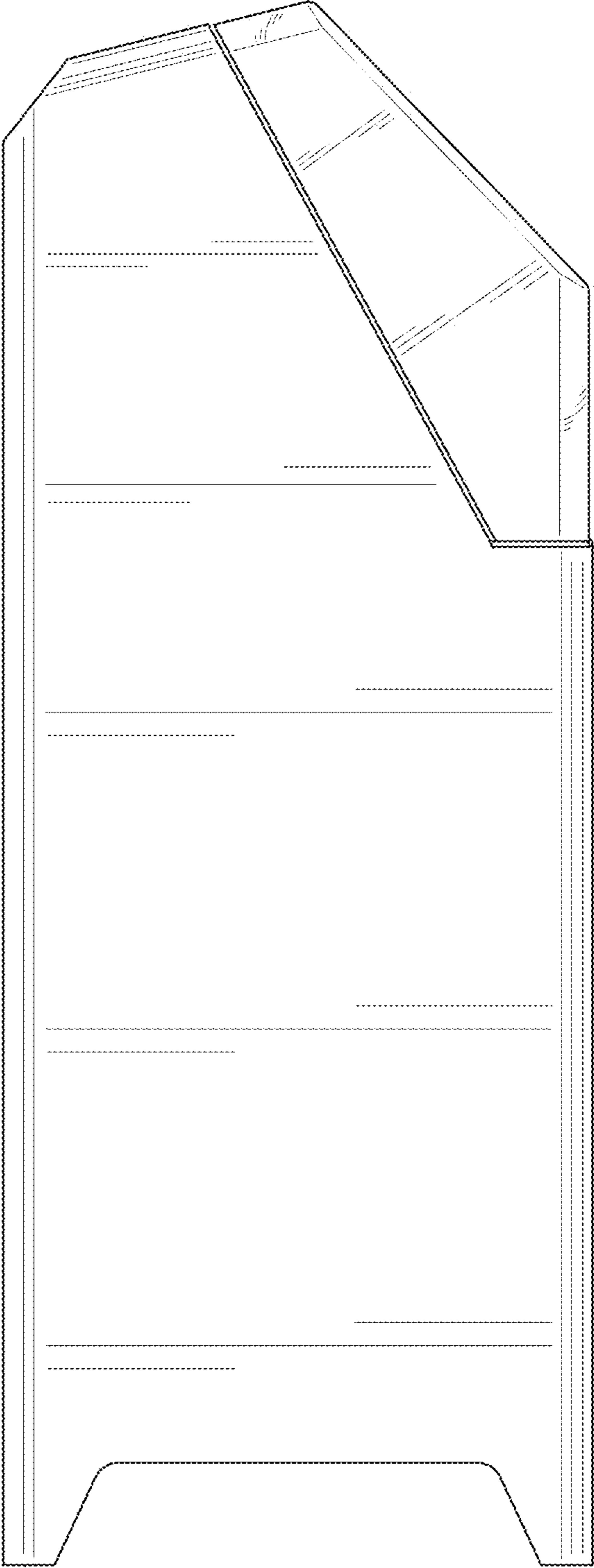


FIG. 5

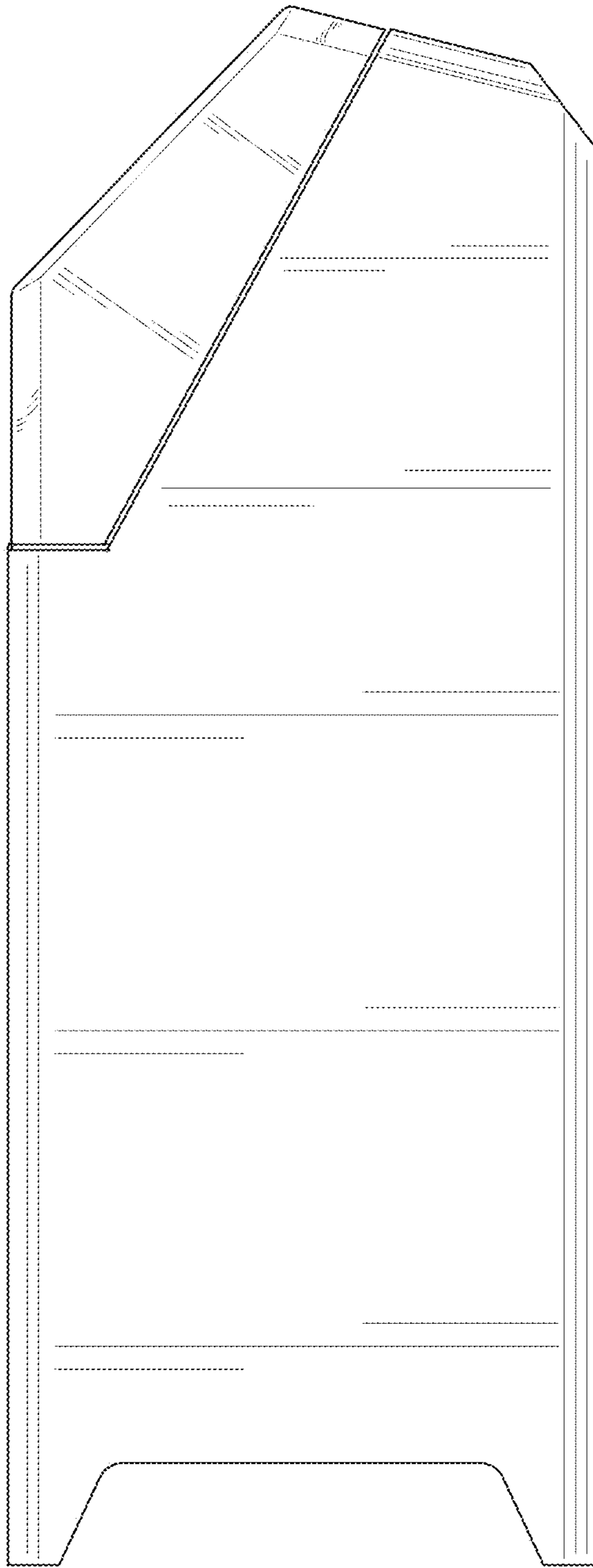


FIG. 6

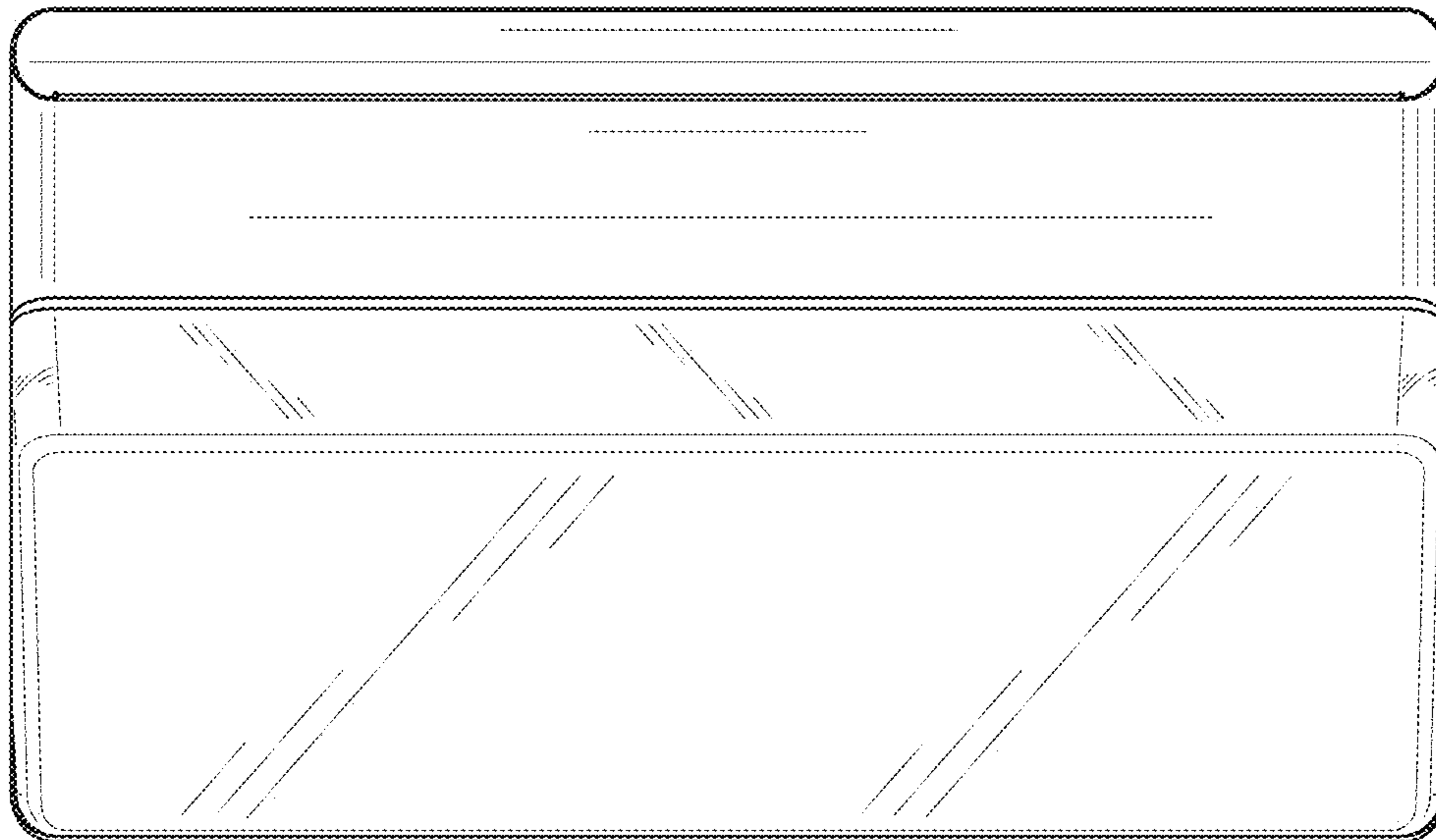


FIG. 7

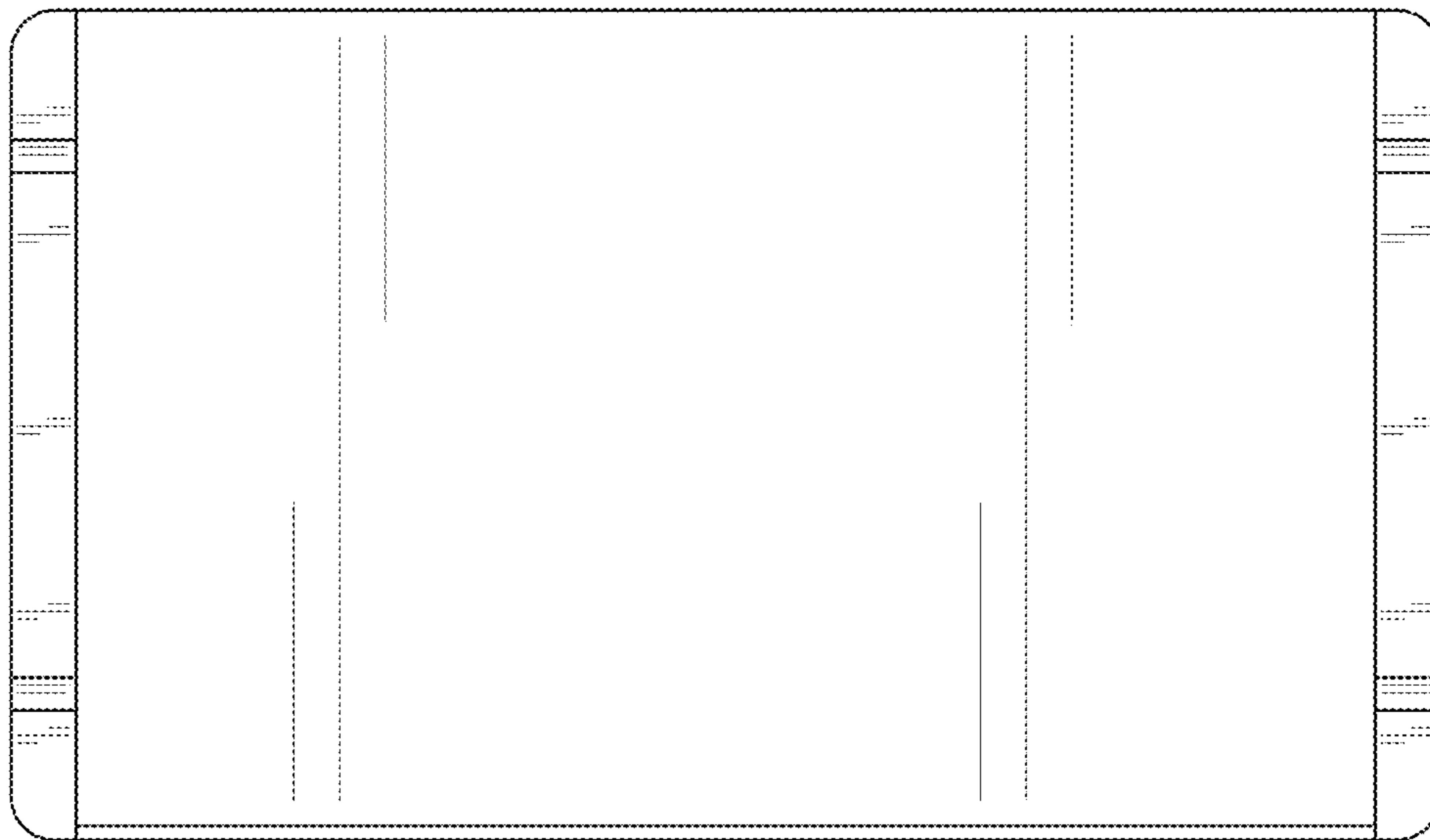


FIG. 8