



US00D978930S

(12) **United States Design Patent**  
**Liu et al.**

(10) **Patent No.:** **US D978,930 S**  
(45) **Date of Patent:** **\*\* Feb. 21, 2023**

(54) **3D PRINTER**

(71) Applicant: **Shenzhen Creality 3D Technology Co., Ltd.**, Guangdong (CN)

(72) Inventors: **Huilin Liu**, Guangdong (CN); **Chun Chen**, Guangdong (CN); **Jingke Tang**, Guangdong (CN); **Danjun Ao**, Guangdong (CN)

(73) Assignee: **Shenzhen Creality 3D Technology Co., Ltd.**, Shenzhen (CN)

(\*\*) Term: **15 Years**

(21) Appl. No.: **29/753,191**

(22) Filed: **Sep. 30, 2020**

(30) **Foreign Application Priority Data**

Apr. 1, 2020 (CN) ..... 202030121181.X

(51) **LOC (14) Cl.** ..... **15-09**

(52) **U.S. Cl.**  
USPC ..... **D15/122**

(58) **Field of Classification Search**  
USPC ..... D15/122, 135, 141; D18/50  
CPC ..... B29C 64/00; B29C 64/20; B29C 64/25;  
B29C 64/40; B29C 64/106; B29C 64/118;  
B29C 64/209; B32B 18/00; B33Y 10/00;  
B33Y 30/00; B33Y 70/00; B33Y 80/00;  
B29L 2031/767

See application file for complete search history.

(56) **References Cited**

**U.S. PATENT DOCUMENTS**

D861,749 S \* 10/2019 Besim ..... D15/122  
D899,471 S \* 10/2020 Liu ..... D15/122

(Continued)

**OTHER PUBLICATIONS**

Creality CR-6 SE, available in Amazon.com, date first available Sep. 3, 2020[online], [site visited Sep. 14, 2022], Available from the

internet URL: [https://www.amazon.com/Creality-CR-6-Leveling-Free-Five-Minute-Touchscreen/dp/B08FMRRW38/ref=sr\\_1\\_4?crid=JZ4J4ZKDIX51&keywords=3d+p%E2%80%A6%201/10](https://www.amazon.com/Creality-CR-6-Leveling-Free-Five-Minute-Touchscreen/dp/B08FMRRW38/ref=sr_1_4?crid=JZ4J4ZKDIX51&keywords=3d+p%E2%80%A6%201/10) (Year: 2020).\*

(Continued)

*Primary Examiner* — Calvin E Vansant  
*Assistant Examiner* — Eidiol Ghigliotty Torres

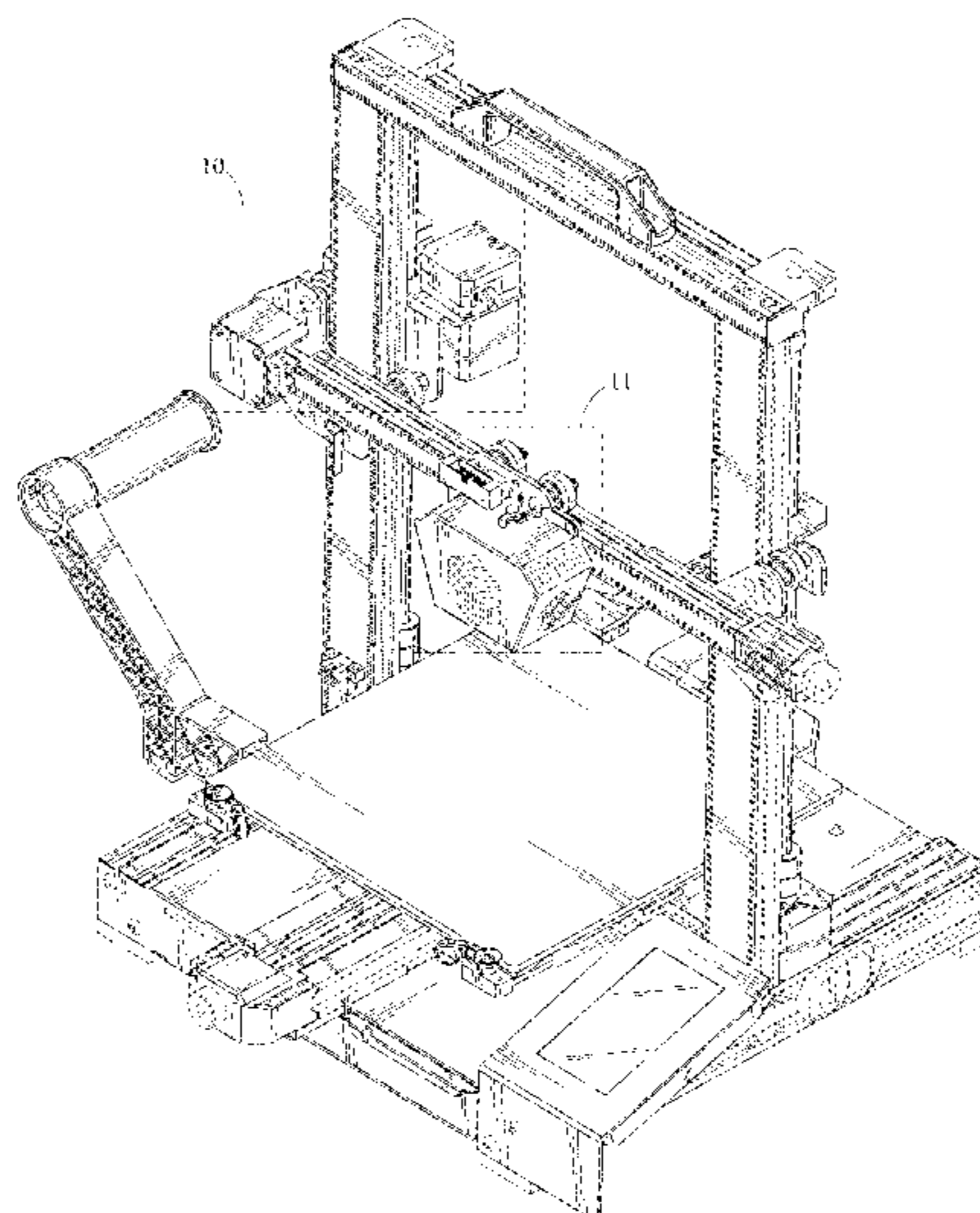
(57) **CLAIM**

The ornamental design for a 3D printer, as shown and described.

**DESCRIPTION**

FIG. 1 is a top, front and right side perspective view of a 3D printer showing our new design; FIG. 2 is a bottom, rear and left side perspective view thereof; FIG. 3 is a top, rear and left side perspective view thereof; FIG. 4 is a front elevational view thereof; FIG. 5 is a rear elevational view thereof; FIG. 6 is a left side view thereof; FIG. 7 is a right side view thereof; FIG. 8 is a top plan view thereof; FIG. 9 is a bottom plan view thereof; FIG. 10 is an enlarged view of portion 10 in FIG. 1; FIG. 11 is an enlarged view of portion 11 in FIG. 1; FIG. 12 is an enlarged view of portion 12 in FIG. 2; FIG. 13 is an enlarged view of portion 13 in FIG. 2; FIG. 14 is an enlarged view of portion 14 in FIG. 3; and, FIG. 15 is an enlarged view of portion 15 in FIG. 3. In the drawings, the dashed broken lines depict portions of the 3D printer that form no part of the claim. The dot-dash broken lines represent the boundaries of the enlarged portions shown in FIGS. 10 through 15 and form no part of the claim. The oblique shade lines in the drawings represent reflective surfaces.

**1 Claim, 15 Drawing Sheets**



(56)

**References Cited**

U.S. PATENT DOCUMENTS

D925,634 S \* 7/2021 Liu ..... D15/199  
D933,723 S \* 10/2021 Chen ..... D15/122  
D958,236 S \* 7/2022 Wu ..... D18/50  
2019/0022933 A1\* 1/2019 Ho ..... B29C 64/232  
2019/0061265 A1\* 2/2019 Ho ..... B33Y 50/02  
2021/0206074 A1\* 7/2021 Lee ..... B29C 64/25

OTHER PUBLICATIONS

CR-6 SE Leveling-Free 3D Printer, available in Amazon.com, date first available Apr. 29, 2021 [online], [site visited Sep. 14, 2022], Available from the internet URL:[https://www.amazon.com/Creality-Leveling-Free-Meanwell-Motherboard-235x235x250mm/dp/B08GLH4WFG/ref=sr\\_1\\_3?crid=JZ4J4ZKDIX5l&keyw%E2%80%A6](https://www.amazon.com/Creality-Leveling-Free-Meanwell-Motherboard-235x235x250mm/dp/B08GLH4WFG/ref=sr_1_3?crid=JZ4J4ZKDIX5l&keyw%E2%80%A6) (Year: 2021).\*

Ender-3 V2 3D Printer, available in store.creality.com, announced Year 2022 [online], [site visited Sep. 14, 2022], Internet URL:[https://store.creality.com/products/ender-3-v2-3d-printer?utm\\_source=googleshopping&gclid=EAIaIQobChMlrLr06pmS-glVp2xvBB3bTAooEAQYASA%E2%80%A6%201/19](https://store.creality.com/products/ender-3-v2-3d-printer?utm_source=googleshopping&gclid=EAIaIQobChMlrLr06pmS-glVp2xvBB3bTAooEAQYASA%E2%80%A6%201/19) (Year: 2022).\*

\* cited by examiner

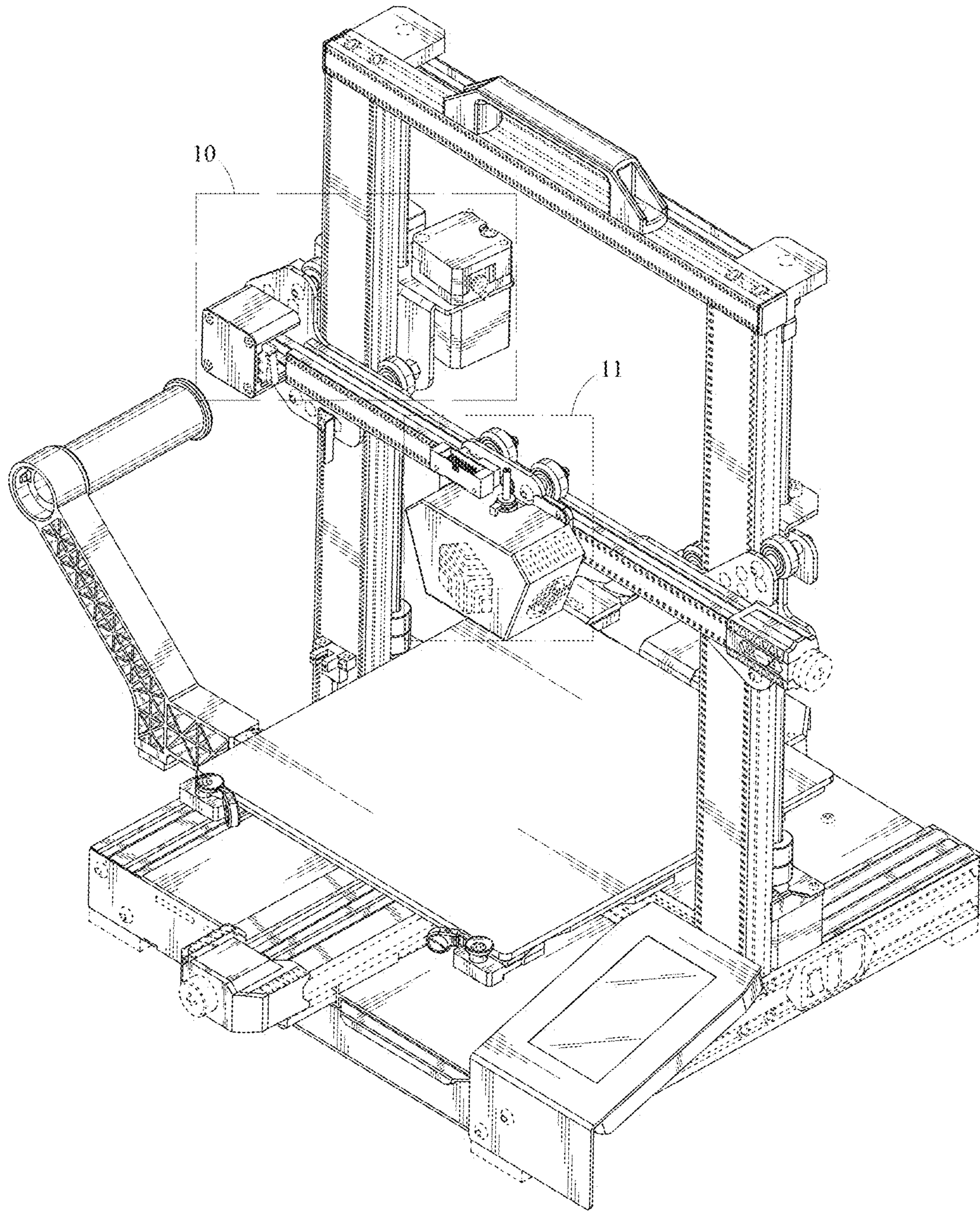


Fig. 1

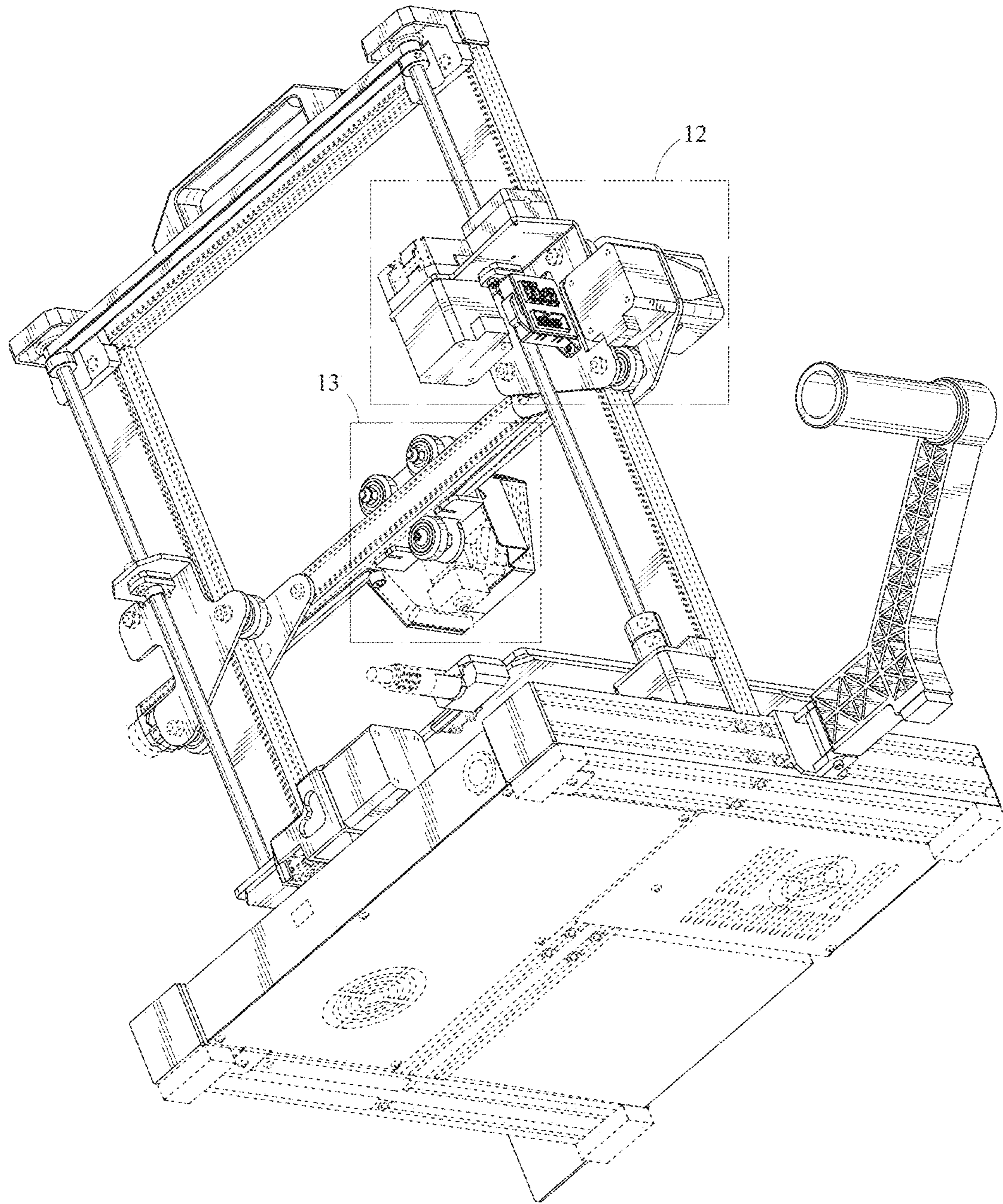


Fig. 2

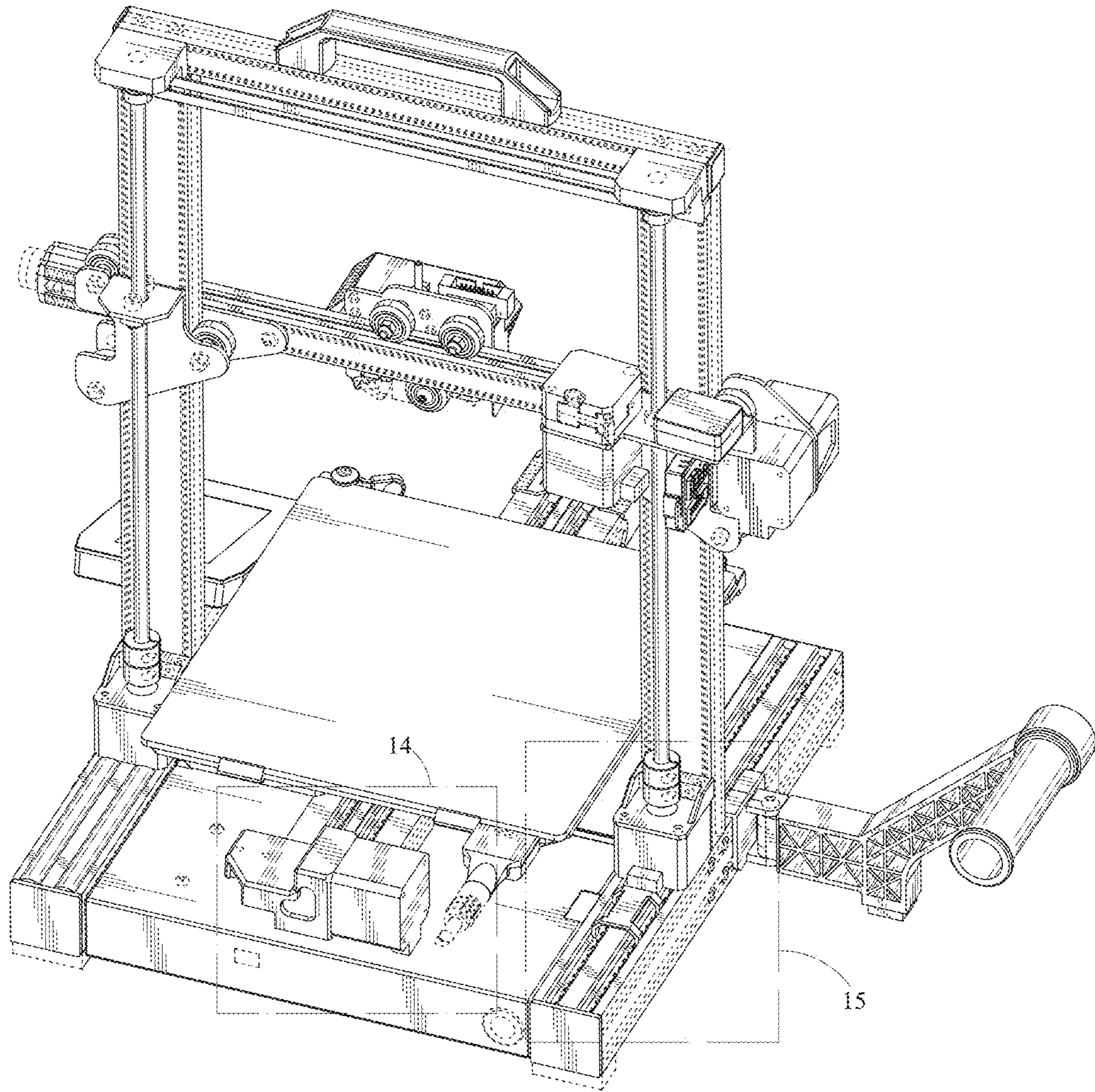


Fig. 3

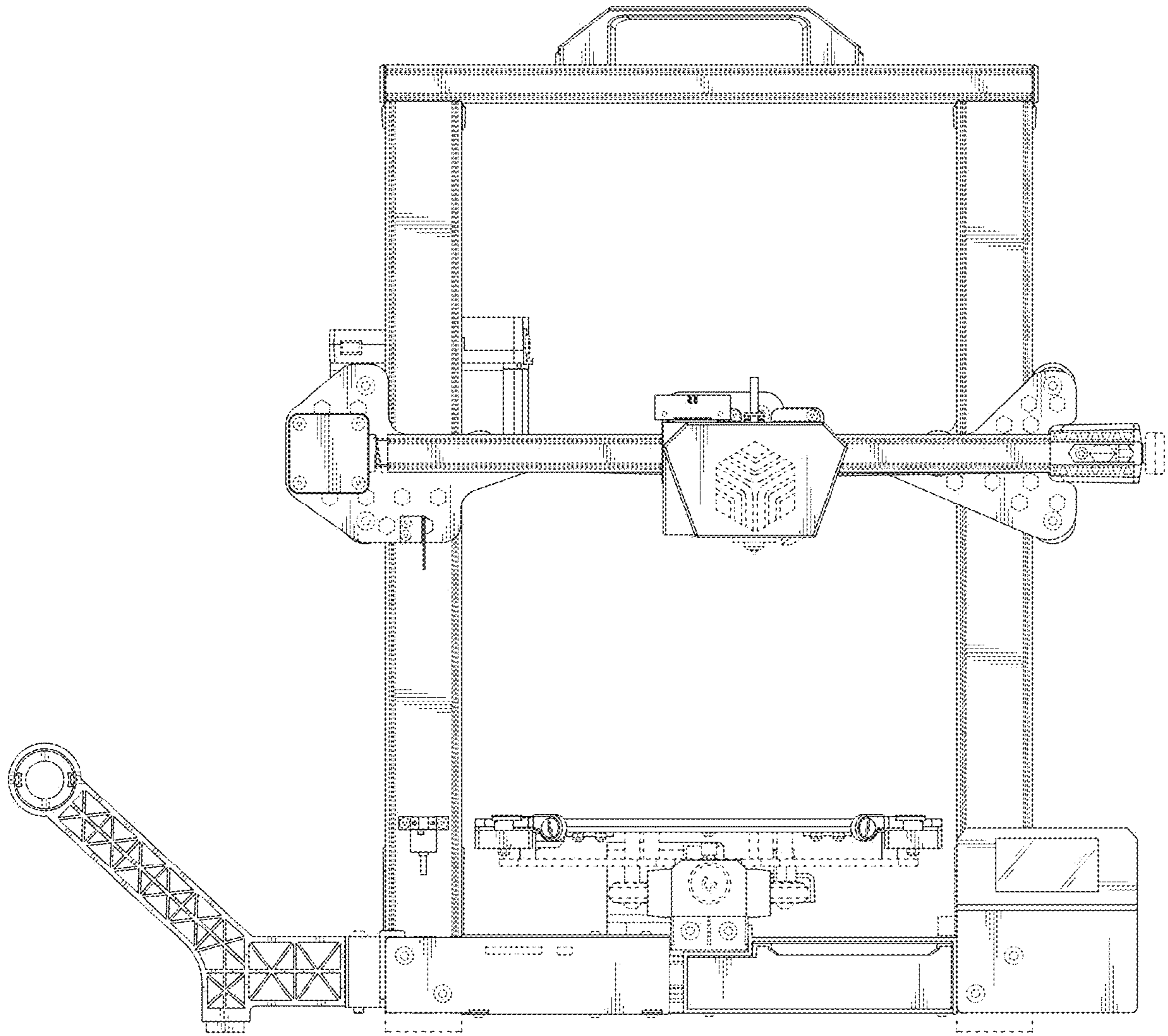


Fig. 4

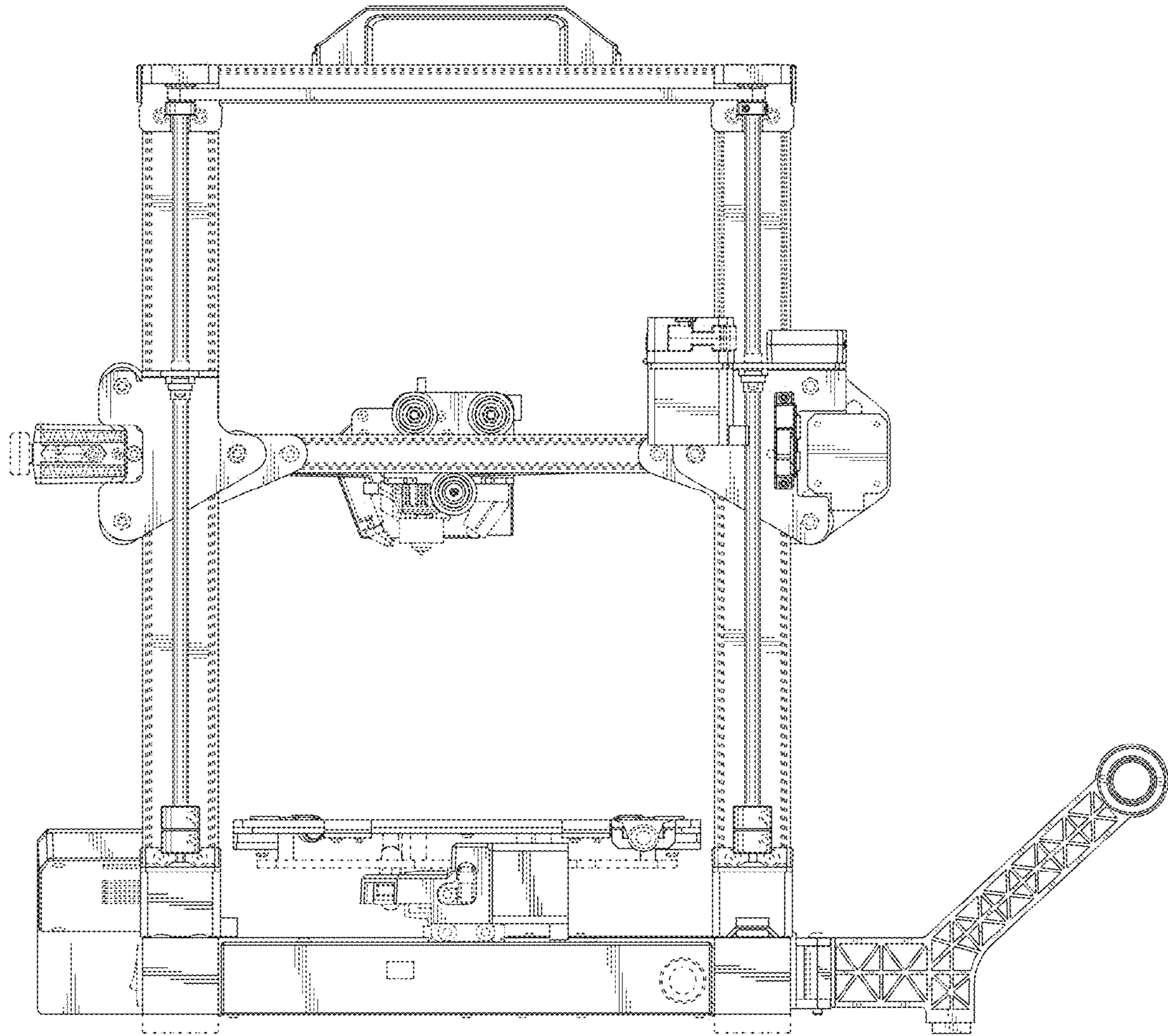


Fig. 5

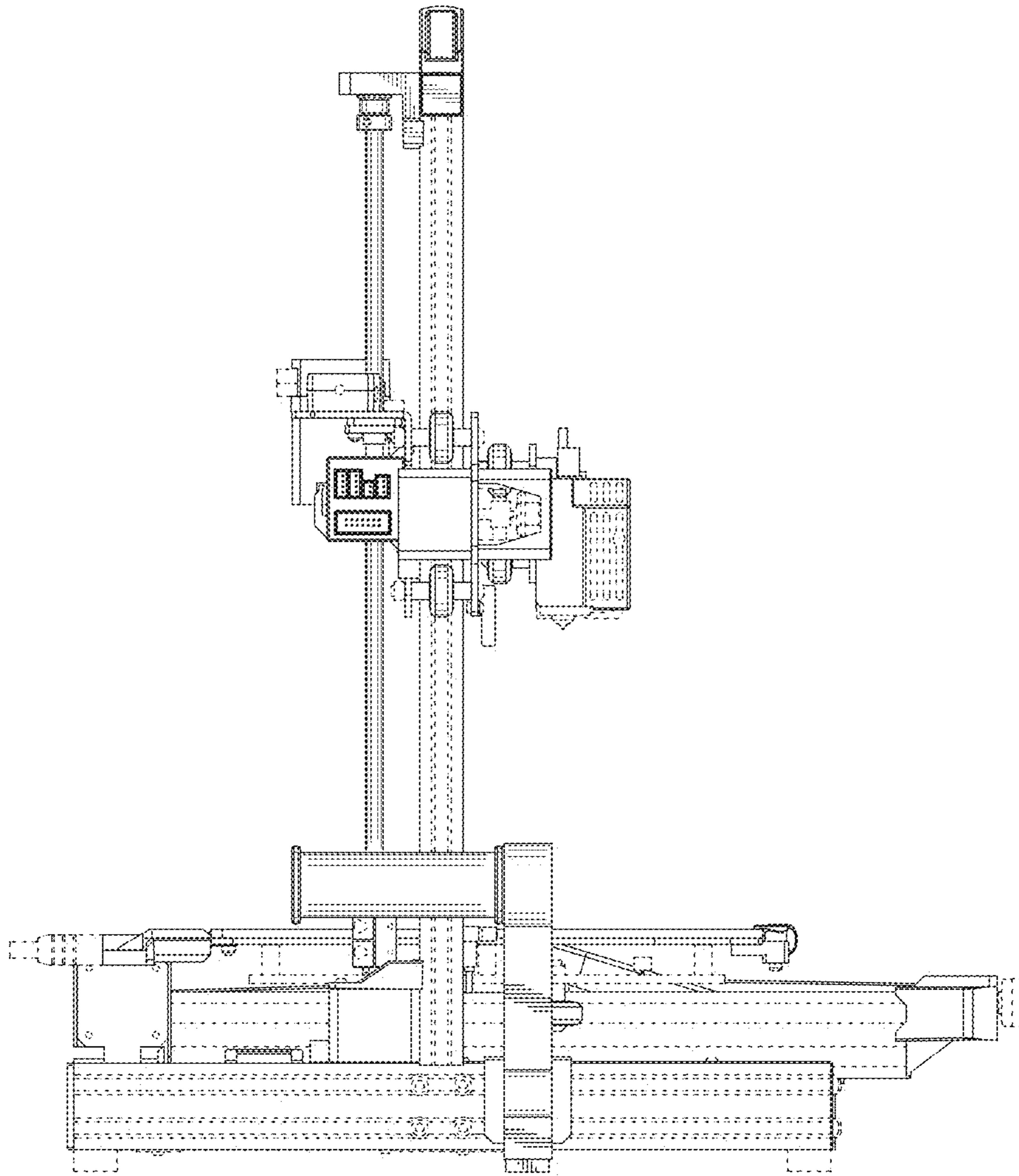


Fig. 6



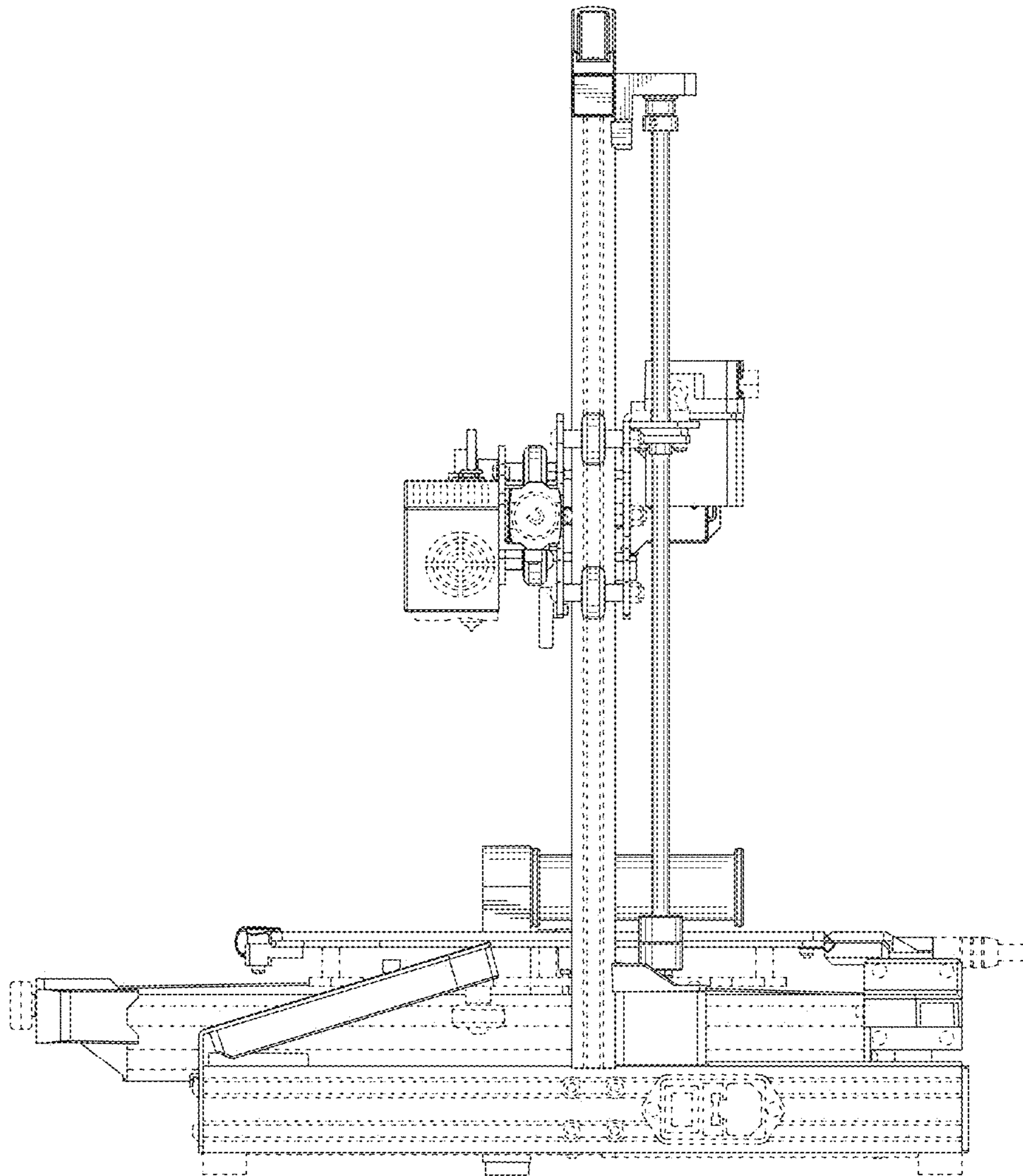


Fig. 7

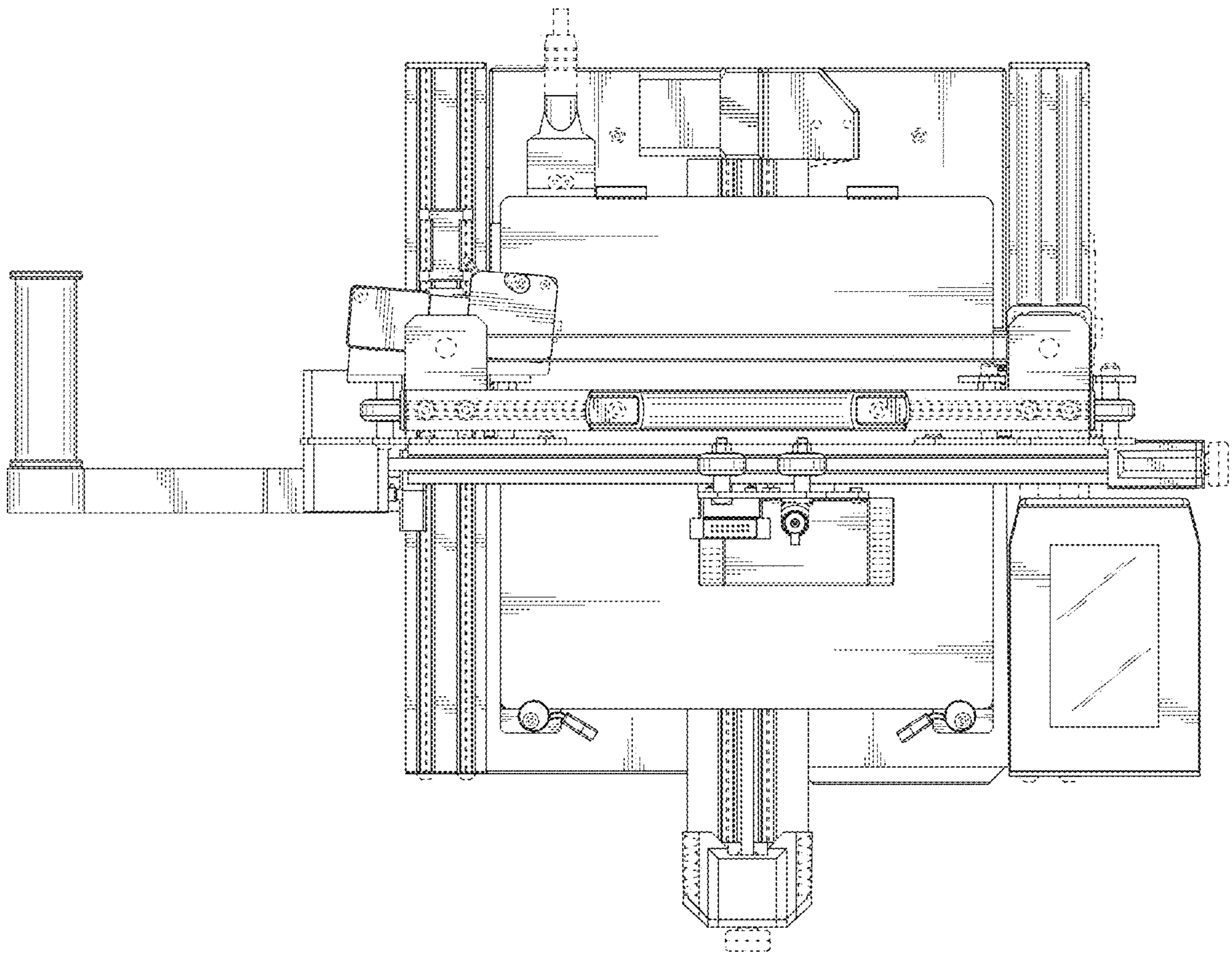


Fig. 8

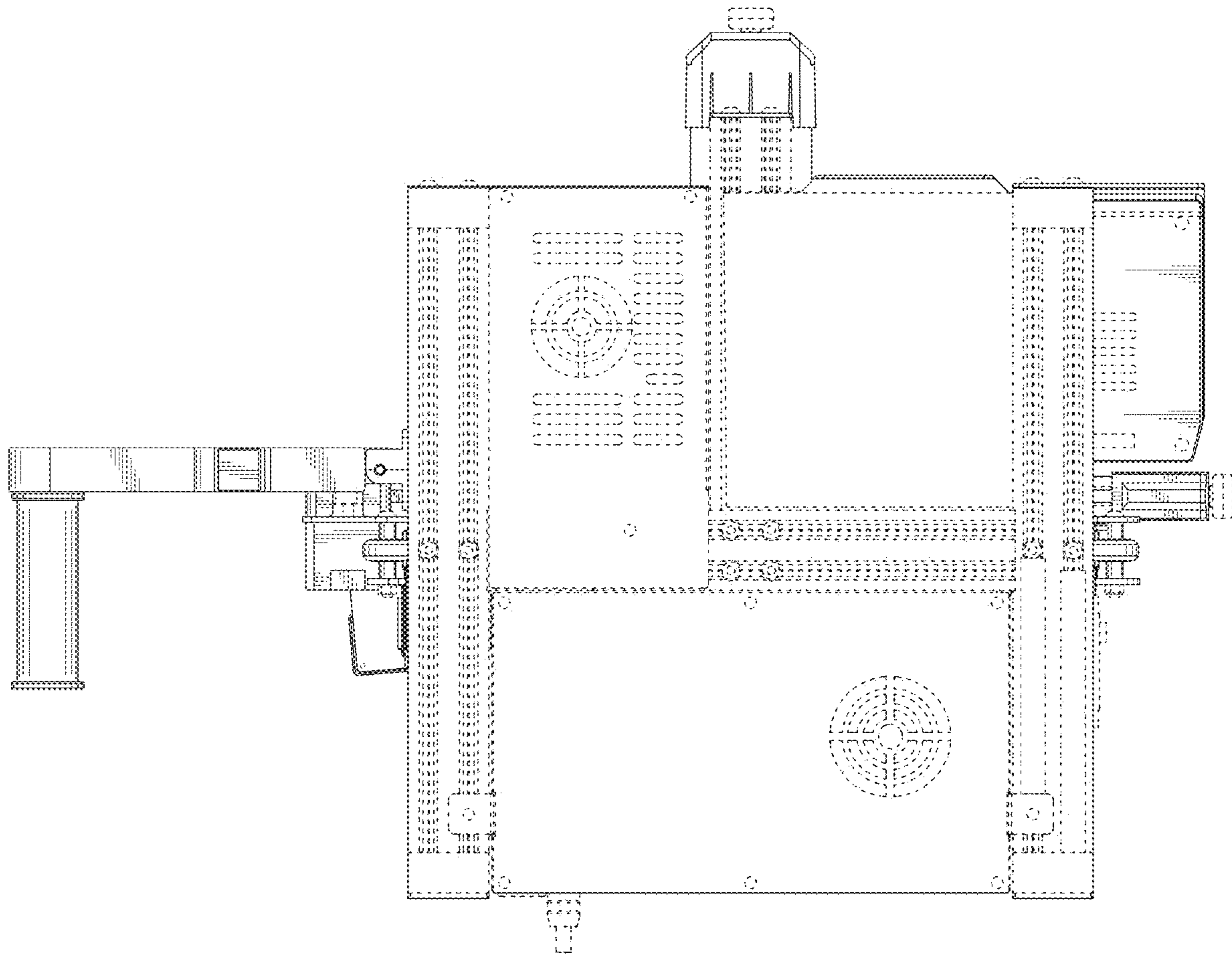


Fig. 9

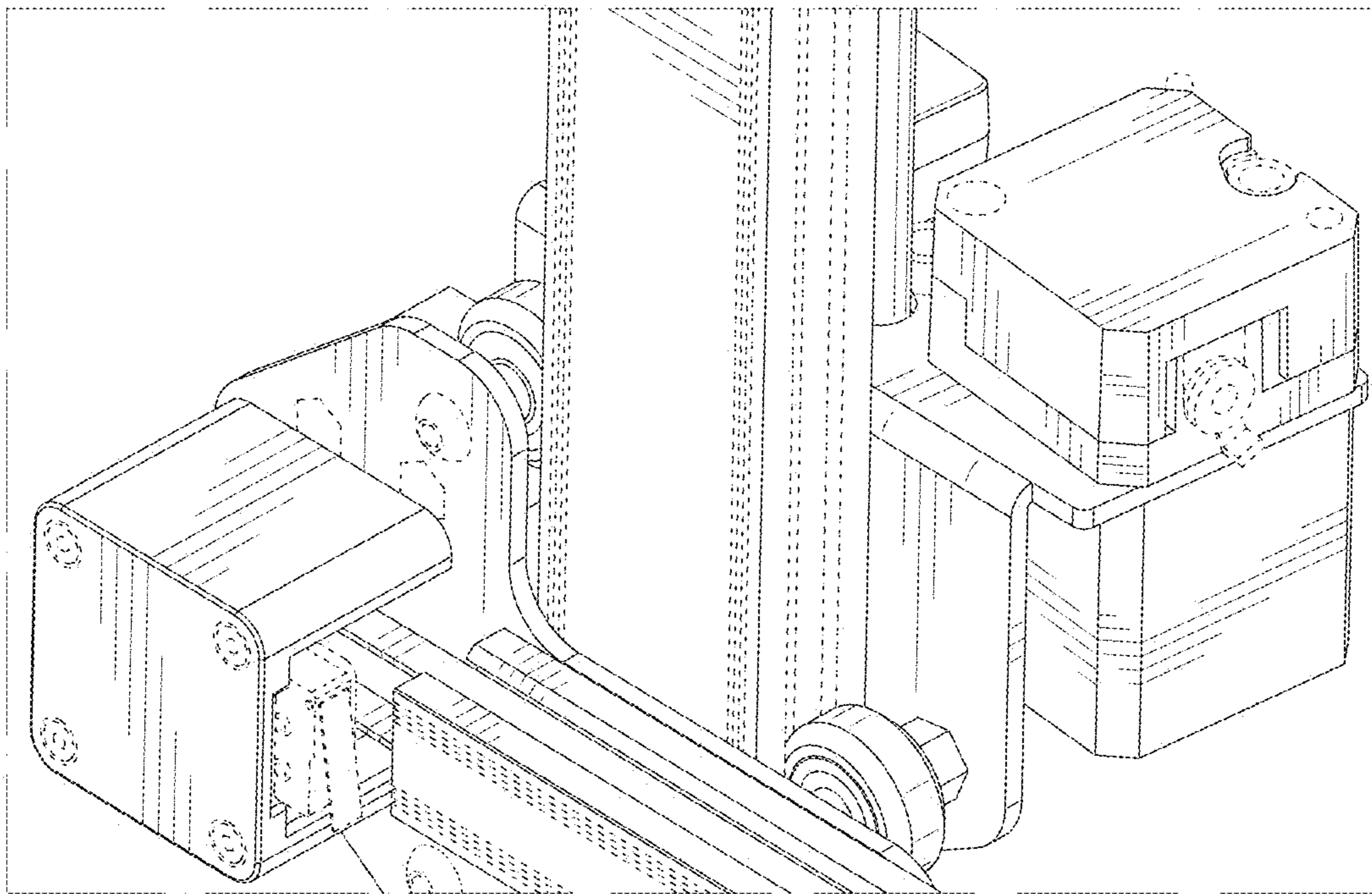


Fig. 10

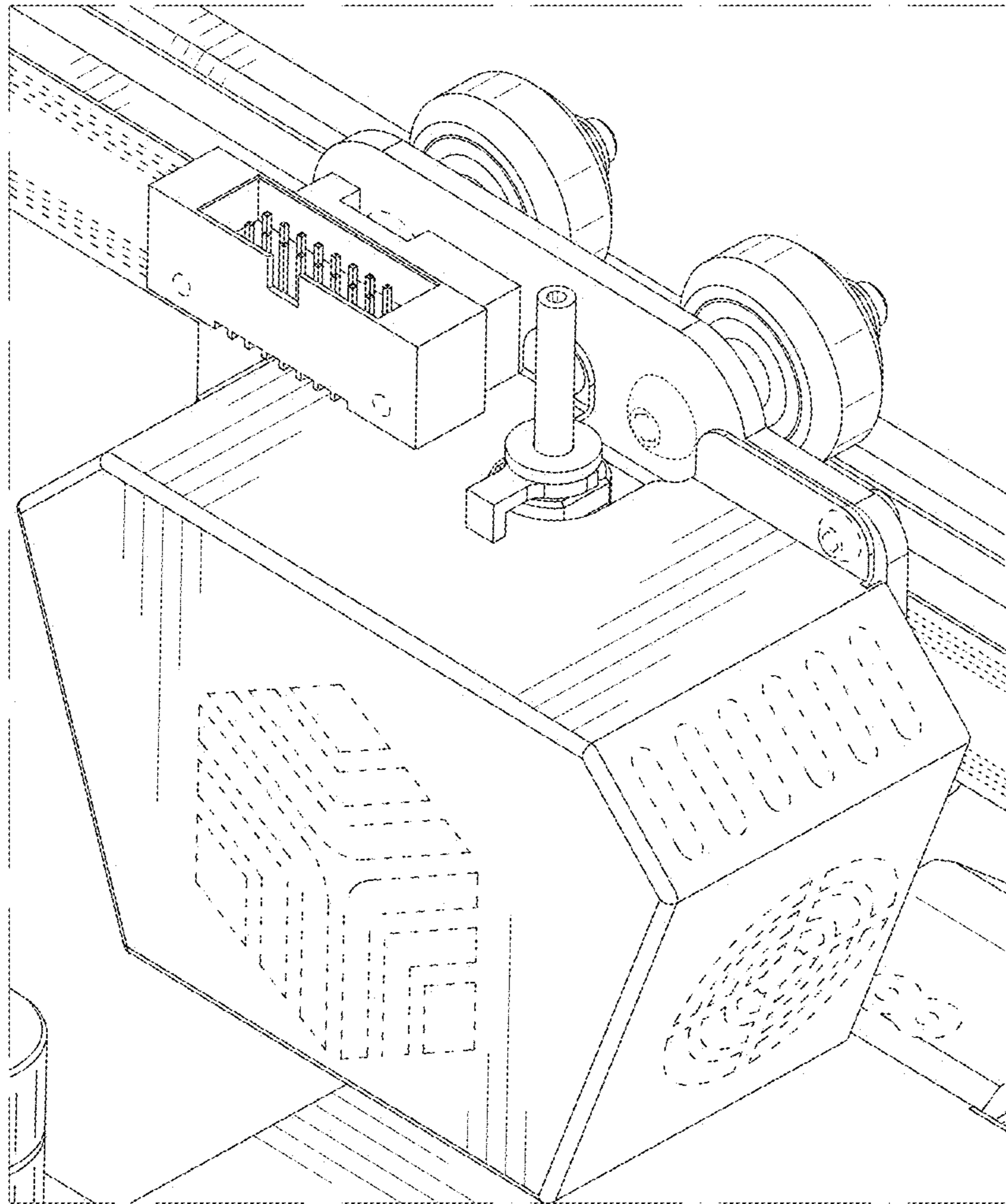


Fig. 11

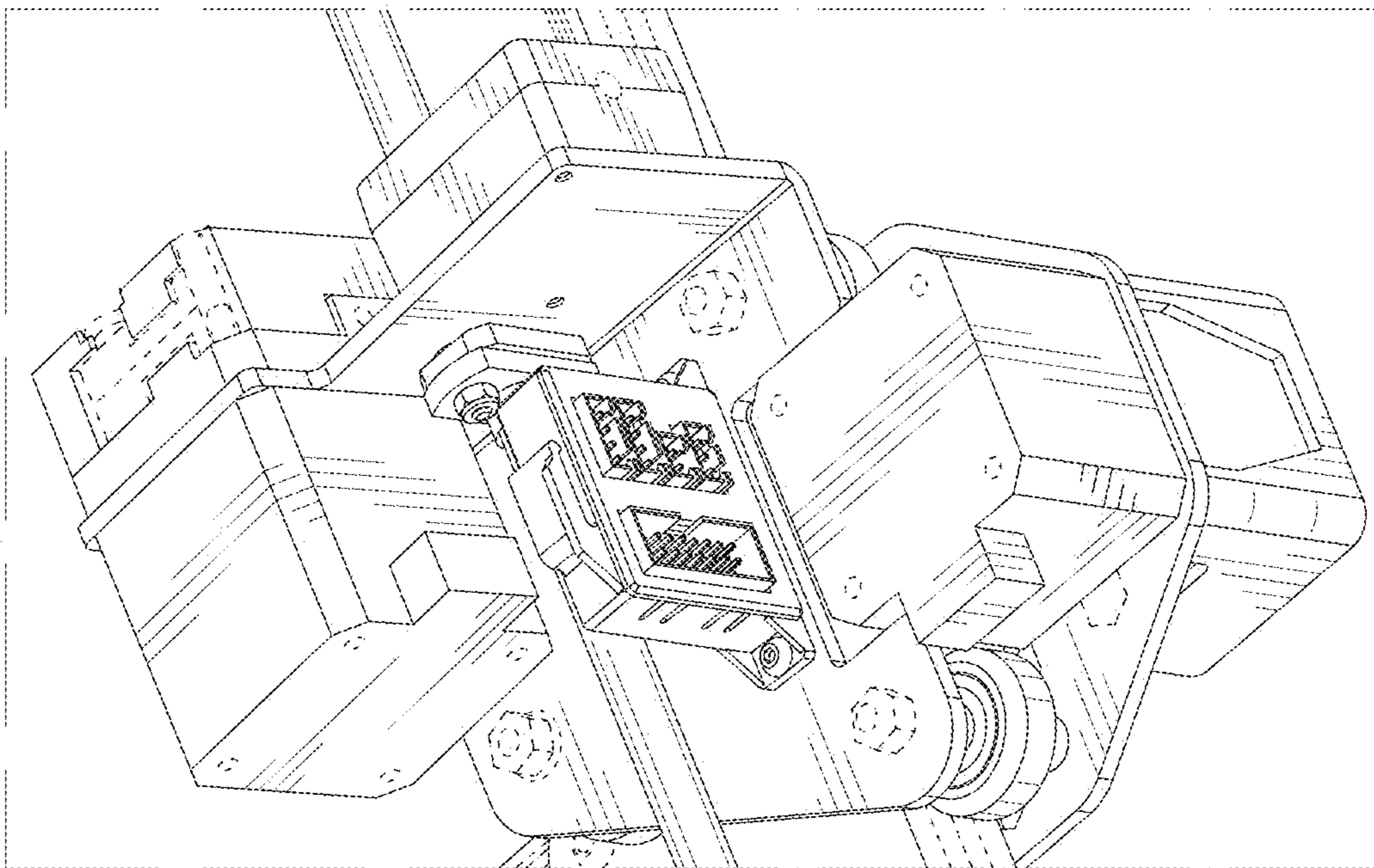


Fig. 12

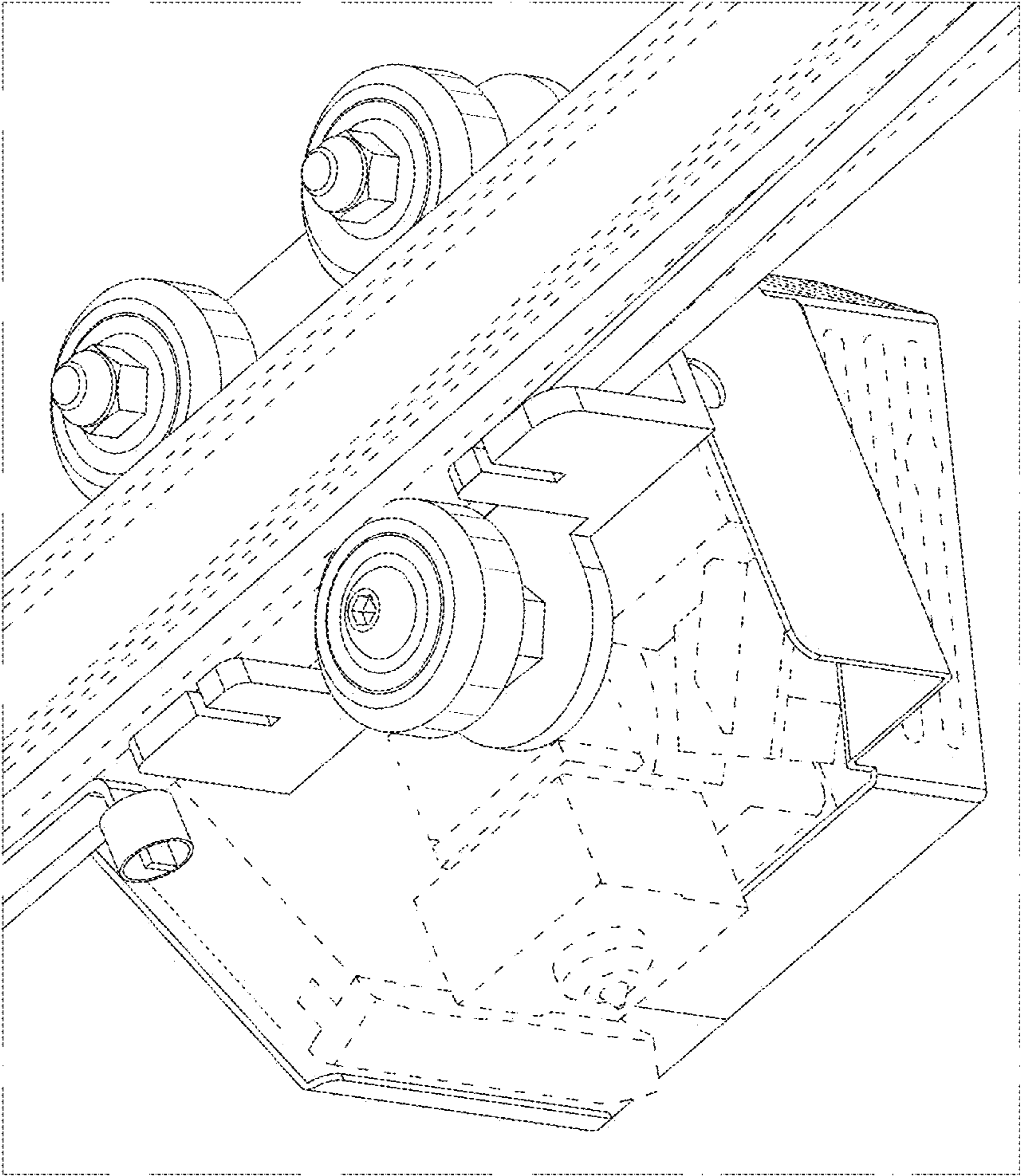


Fig. 13

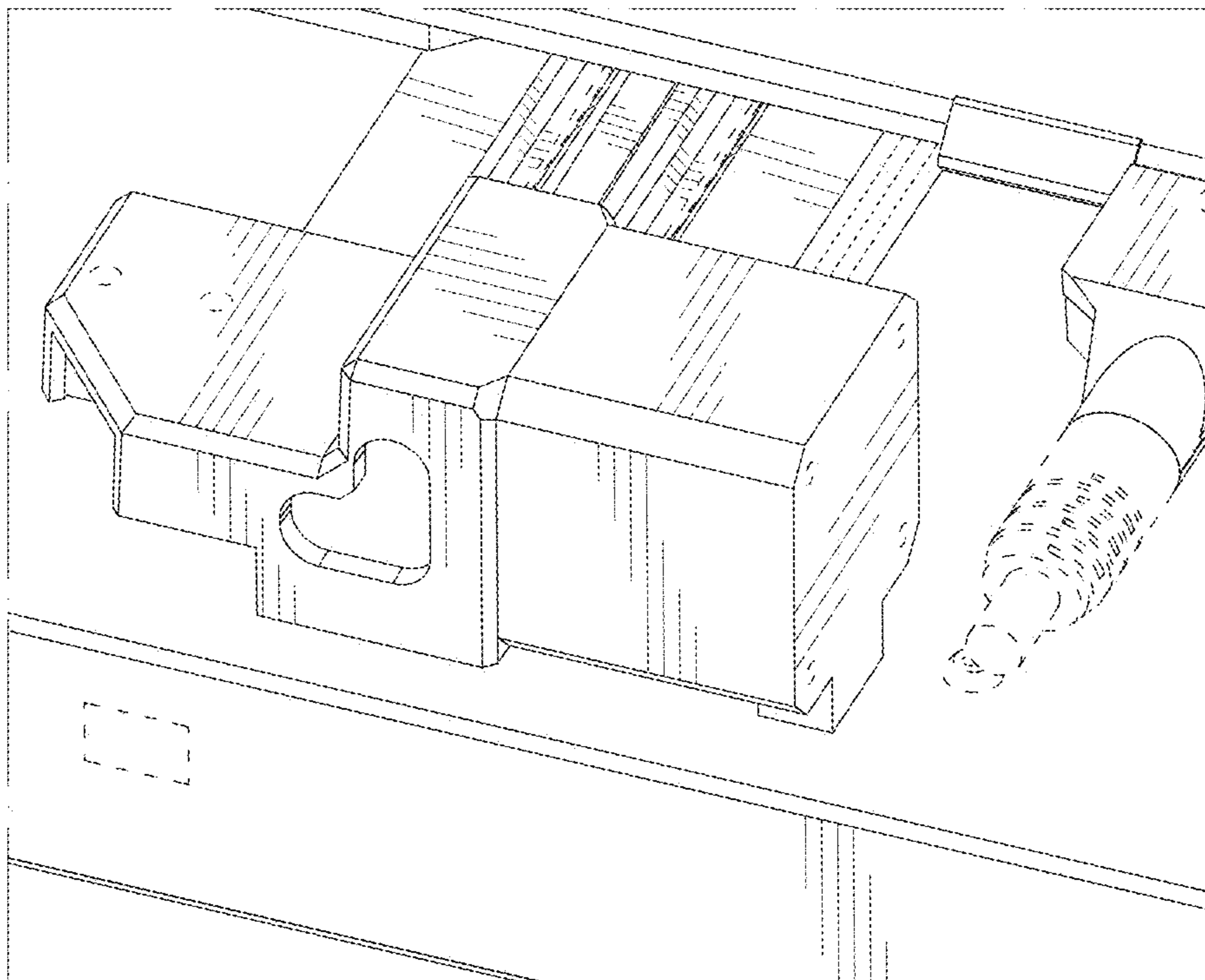


Fig. 14



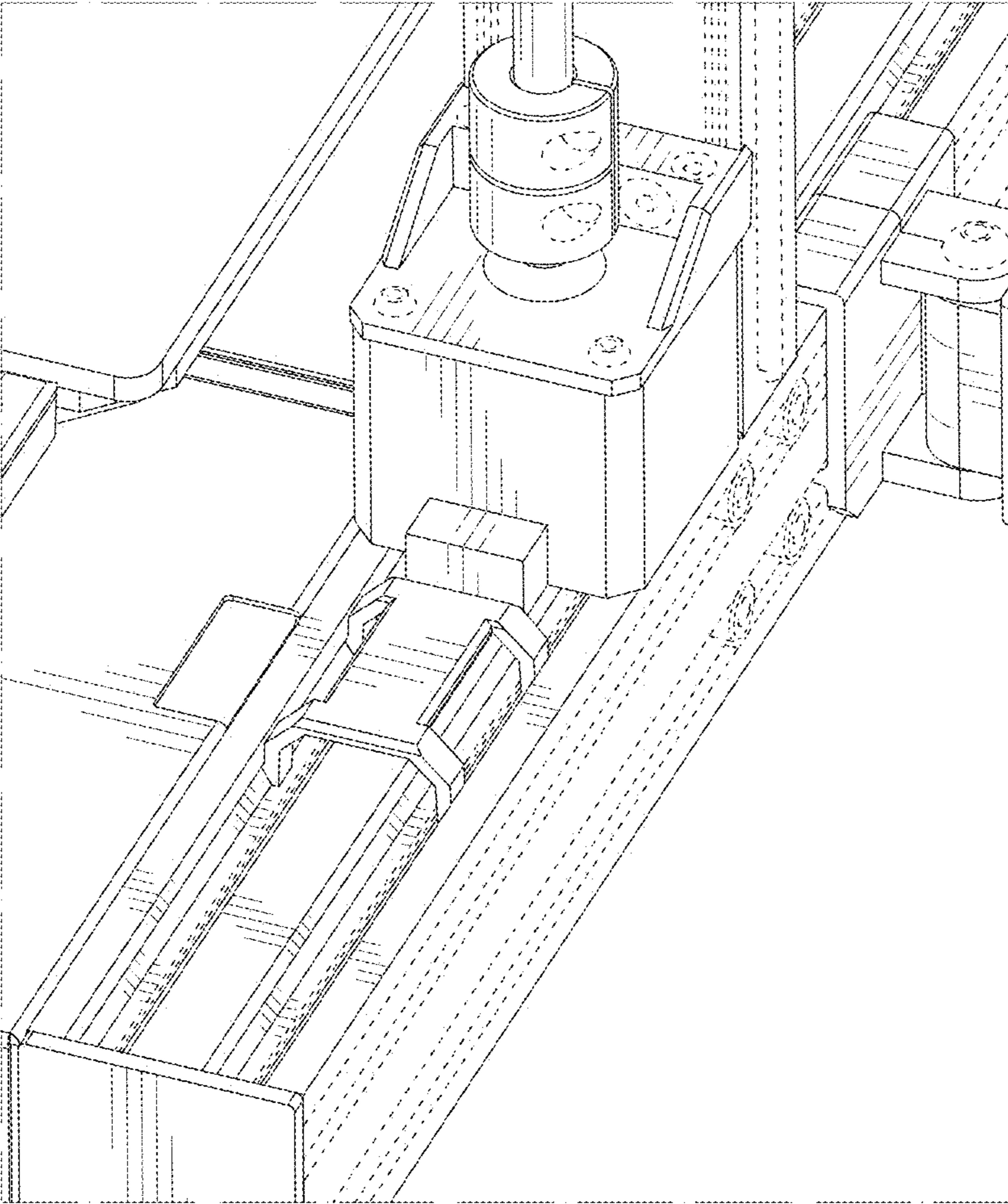


Fig. 15