



US00D978928S

(12) **United States Design Patent**
Park et al.

(10) **Patent No.:** **US D978,928 S**
(45) **Date of Patent:** **** Feb. 21, 2023**

(54) **DISPENSER FOR REFRIGERATOR**

FOREIGN PATENT DOCUMENTS

(71) Applicant: **LG ELECTRONICS INC.**, Seoul
(KR)

KR 30-2017-0039831 * 2/2018

(72) Inventors: **Kyungsoo Park**, Seoul (KR);
Kyukwan Choi, Seoul (KR)

OTHER PUBLICATIONS

(73) Assignee: **LG ELECTRONICS INC.**, Seoul
(KR)

30-inch Integrated Column Refrigerator, available on www.mrsgs.com, available Jun. 13, 2018 [online], [site visited Jun. 1, 2022], Retrieved from: <https://www.mrsgs.com/products/Signature-Kitchen-Suite/sks/skscr3001p.html> (Year: 2018).*

(Continued)

(**) Term: **15 Years**

Primary Examiner — Calvin E Vansant

(21) Appl. No.: **29/726,825**

Assistant Examiner — Eidiol Ghigliotty Torres

(22) Filed: **Mar. 5, 2020**

(74) *Attorney, Agent, or Firm* — Birch, Stewart, Kolasch & Birch, LLP

(30) **Foreign Application Priority Data**

(57) **CLAIM**

We claim the ornamental design for a dispenser for refrigerator, as shown and described.

Sep. 24, 2019 (KR) 30-2019-0045755

DESCRIPTION

(51) **LOC (14) Cl.** **15-07**

FIG. 1 is a perspective view of a dispenser for refrigerator showing the new design;

(52) **U.S. Cl.**

FIG. 2 is a front elevation view thereof;

USPC **D15/89**

FIG. 3 is a rear elevation view thereof;

(58) **Field of Classification Search**

USPC 62/389; D15/89, 81, 85, 91

FIG. 4 is a left-side elevation view thereof;

CPC F25D 2331/806; B67D 2210/00036

FIG. 5 is a right-side elevation view thereof;

See application file for complete search history.

FIG. 6 is a top plan view thereof;

(56) **References Cited**

FIG. 7 is a bottom plan view thereof; and,

U.S. PATENT DOCUMENTS

FIG. 8 is a perspective view showing a state of use thereof.

D761,886 S * 7/2016 Seo D15/89

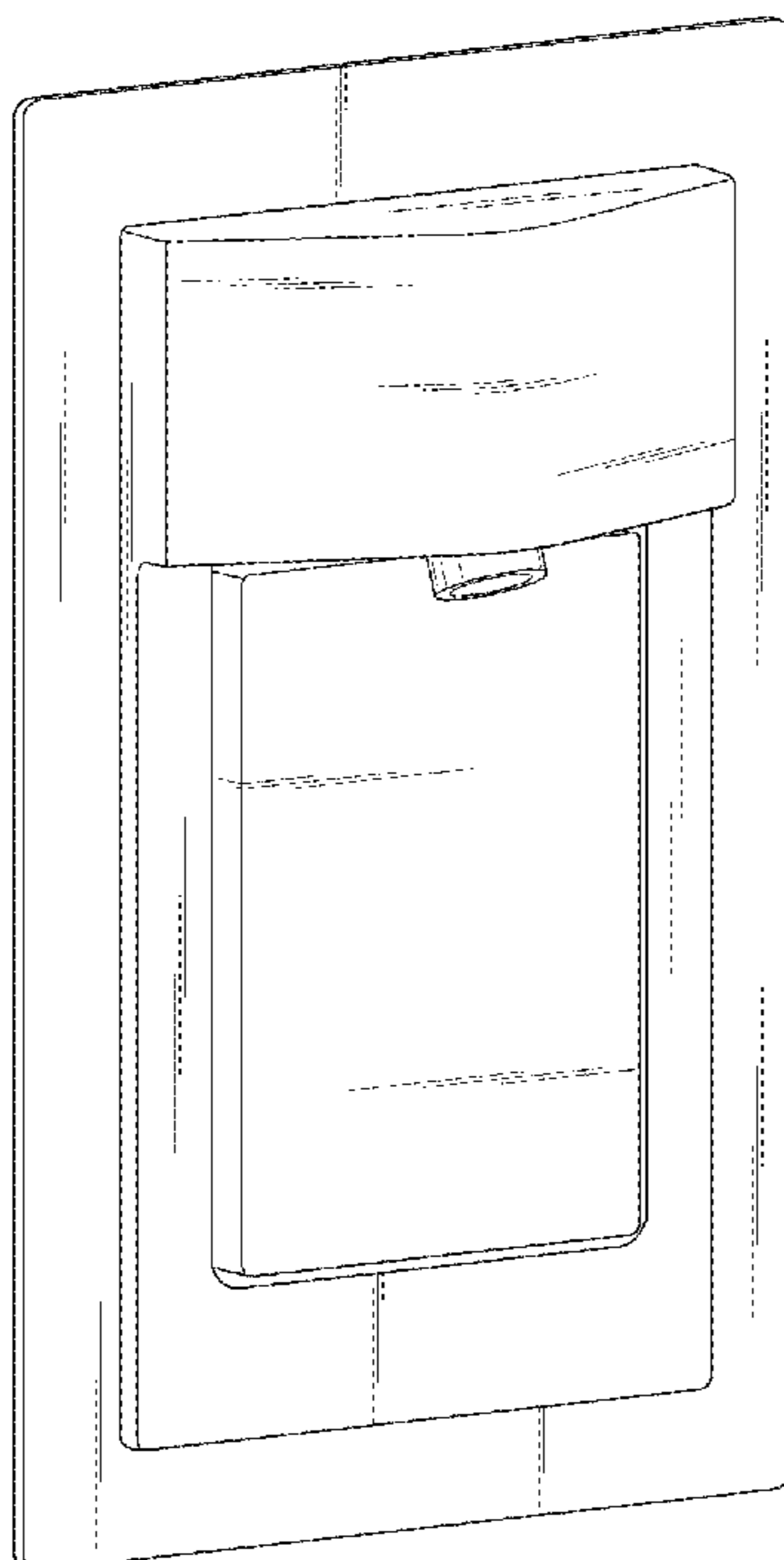
The broken lines in FIG. 2 depict portions of the dispenser for refrigerator that form no part of the claimed design. The broken lines in FIG. 8 illustrate environment and form no part of the claimed design.

D763,329 S * 8/2016 Seo D15/89

D873,871 S * 1/2020 Kim F25D 11/00

D15/89

1 Claim, 8 Drawing Sheets



(56)

References Cited

OTHER PUBLICATIONS

LG Electronics, available on inlinecontent.thdstatic.com, undated product page, [site visited Jun. 1, 2022], Retrieved from: https://inlinecontent.thdstatic.com/29A/LG%20ELECTRONICS%20USA%20INC/LMWS27626S_1000w.jpg (Year: 2022).*

KitchenAid KRFC302ESS 22 Cu. Ft. Stainless Steel 3 Door French Door Refrigerator, available on www.walmart.com, available Jun. 29, 2017, [site visited Jun. 6, 2022], Retrieved from: <https://www.walmart.com/ip/KitchenAid-KRFC302ESS-22-Cu-Ft-Stainless-Steel-3-Door-French-Door-Refrigerator/916833073>. (Year: 2017).*

ABT Electronics. (Jan. 25, 2017). KitchenAid French Door Refrigerator KRFC302ESS Tour [Video]. Available on: <https://www.youtube.com/watch?v=IP7mUxouuQA&t=38s> (Year: 2017).*

* cited by examiner

FIG. 1

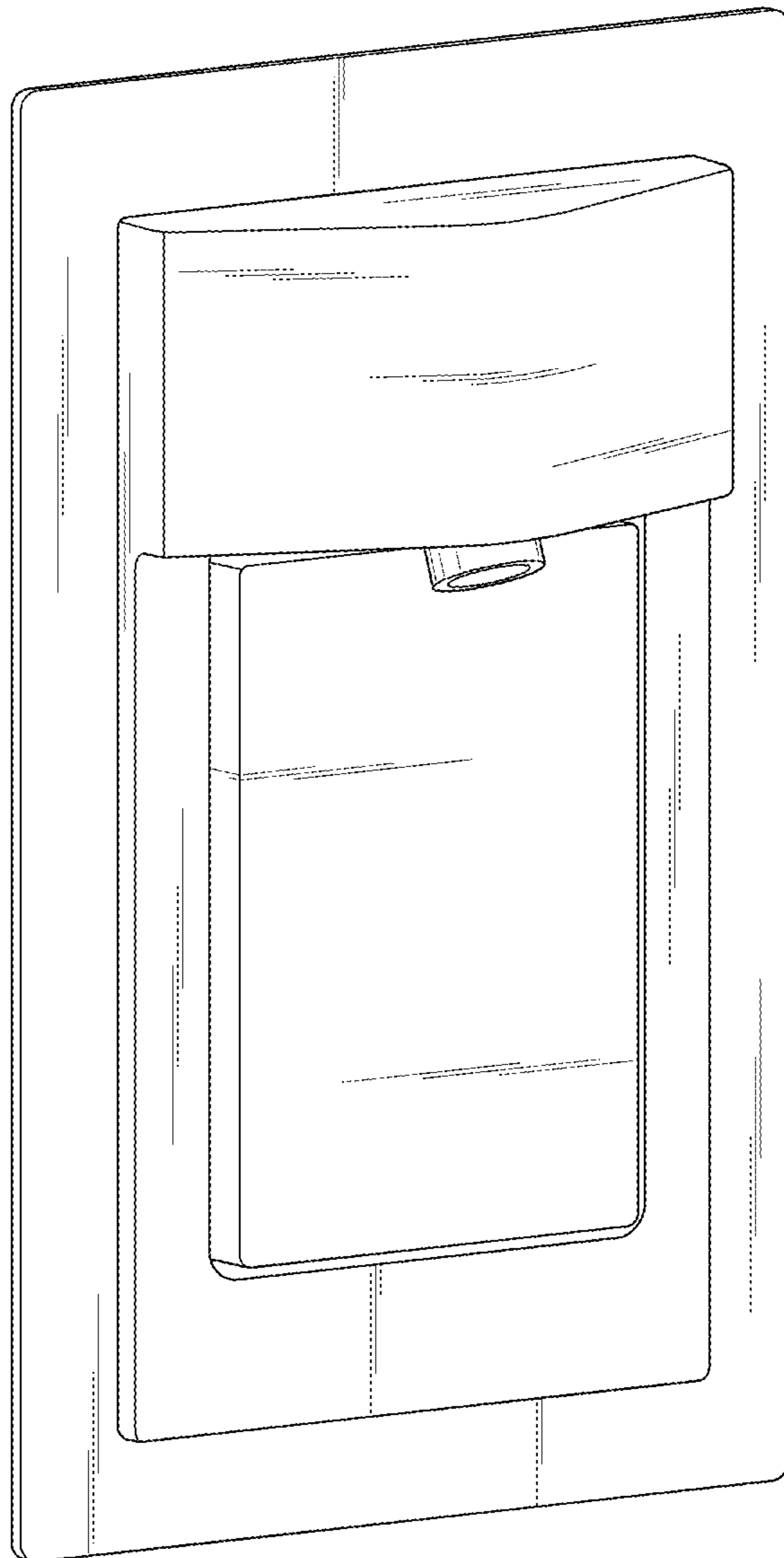


FIG. 2

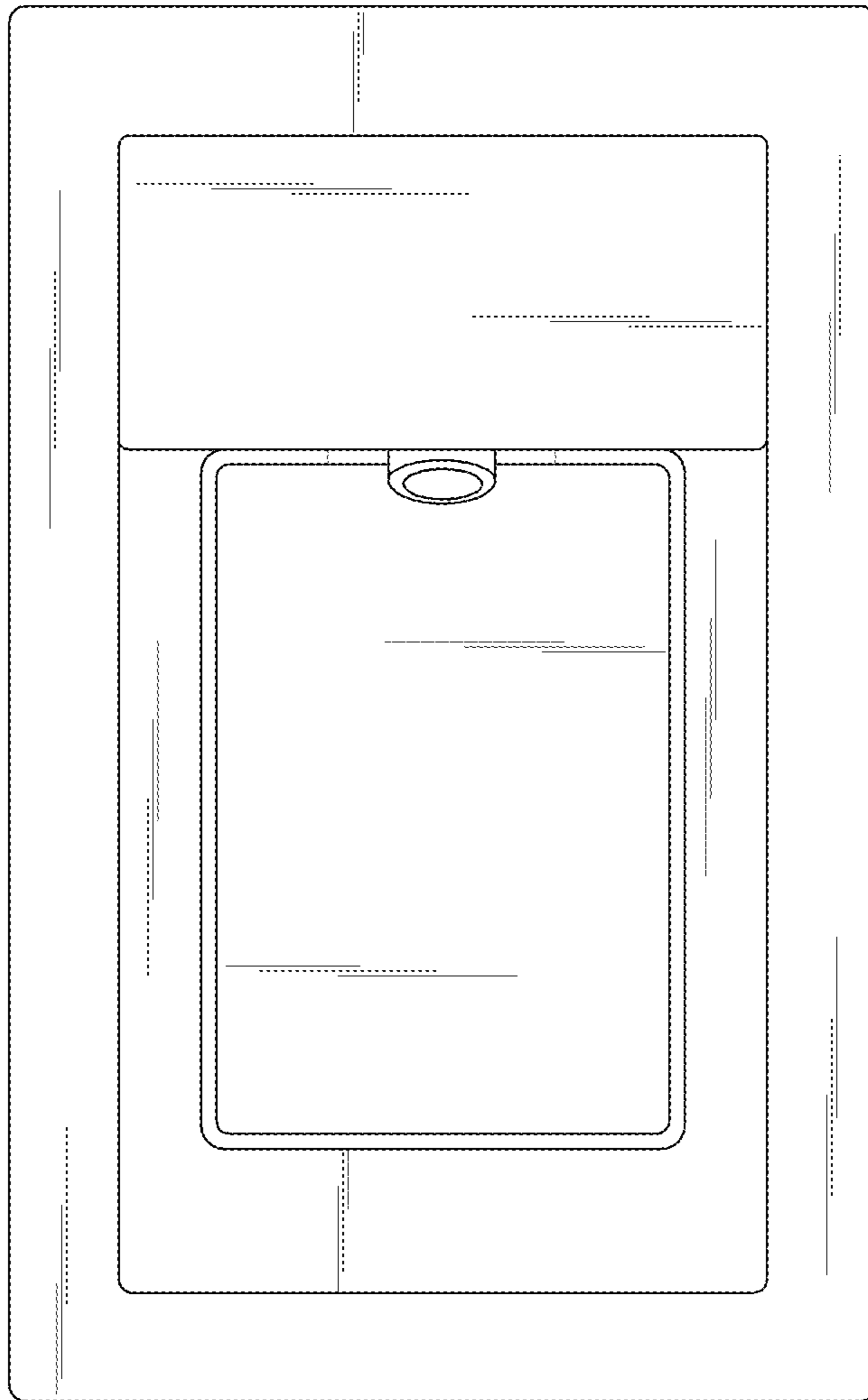


FIG. 3



FIG. 4

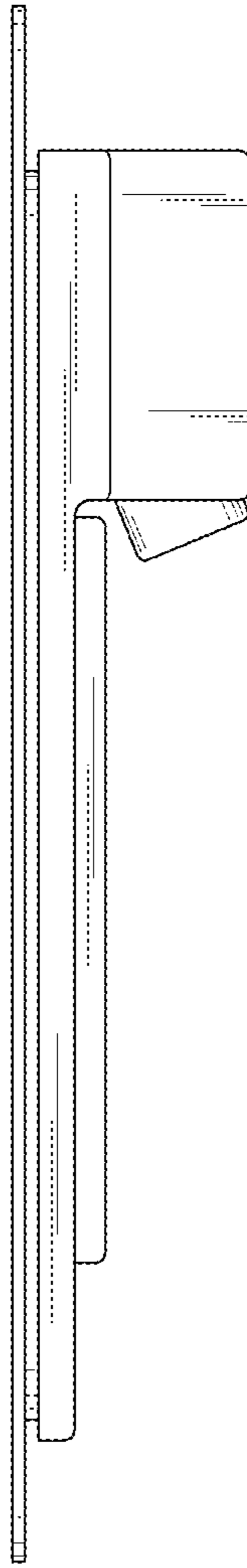


FIG. 5

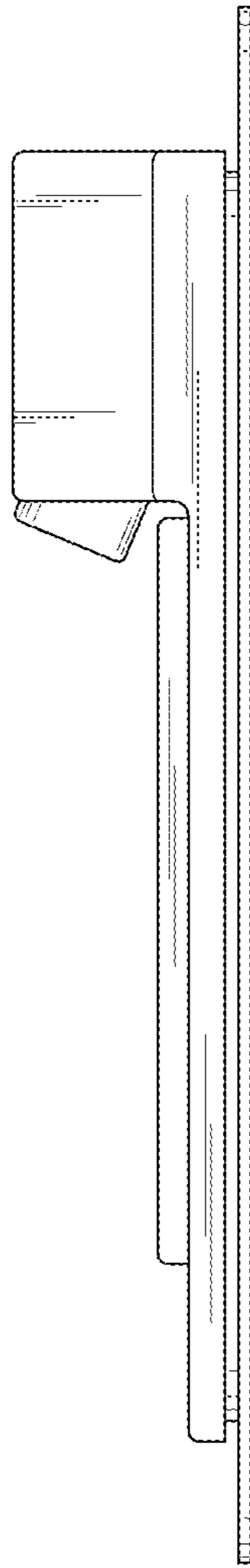


FIG. 6

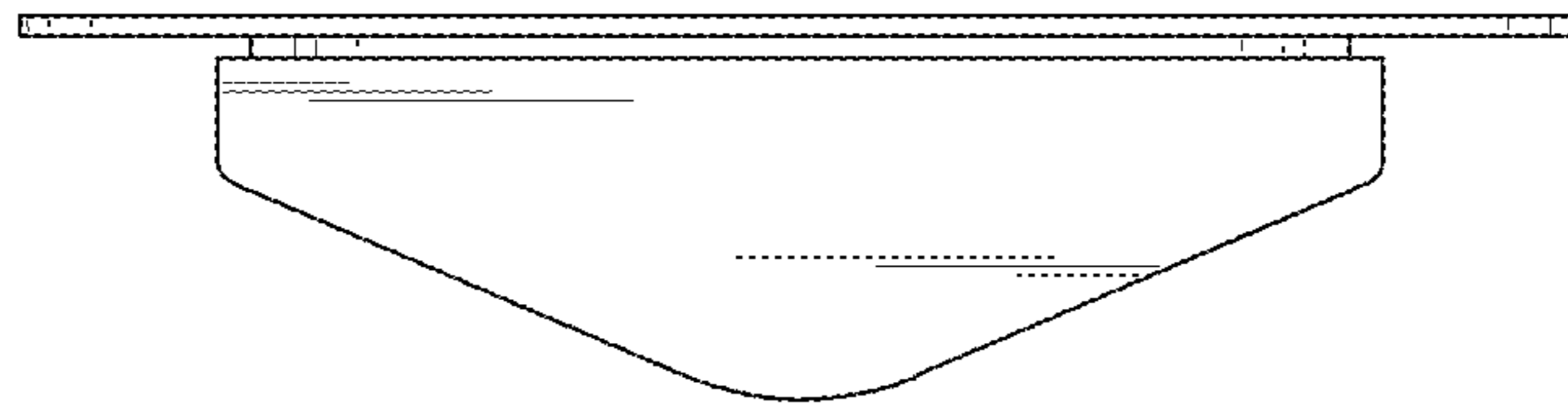


FIG. 7

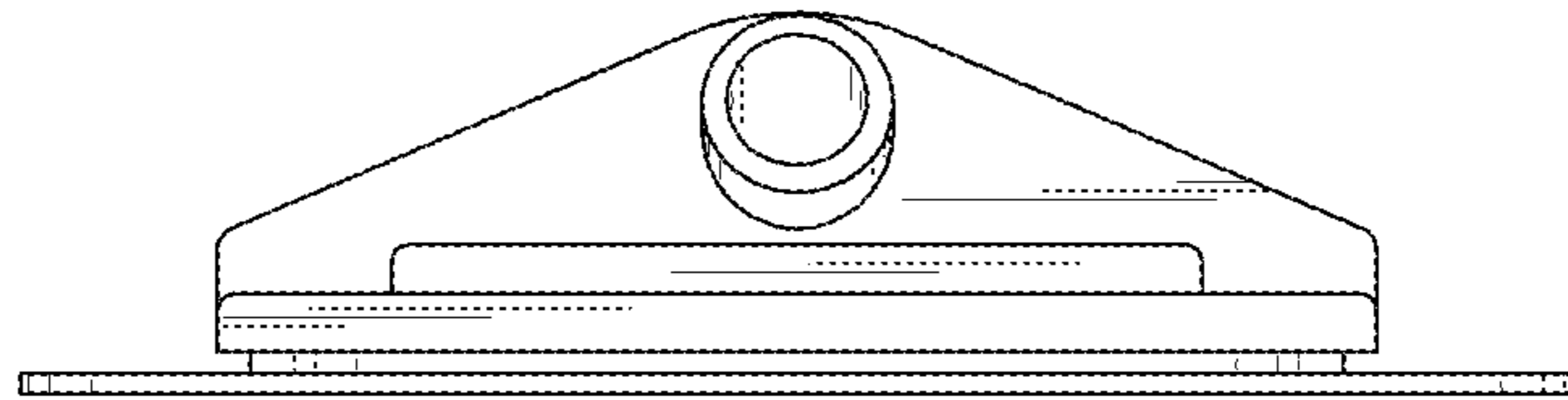


FIG. 8

