



US00D978926S

(12) **United States Design Patent**
Kim

(10) **Patent No.:** **US D978,926 S**

(45) **Date of Patent:** **** Feb. 21, 2023**

(54) **HOOD COVER OF TRACTOR FOR AGRICULTURAL PURPOSES**

(71) Applicant: **DAEDONG CORPORATION**, Daegu (KR)

(72) Inventor: **Soon Yeol Kim**, Gyeongsangnam-do (KR)

(73) Assignee: **DAEDONG CORPORATION**, Daegu (KR)

(**) Term: **15 Years**

(21) Appl. No.: **29/804,742**

(22) Filed: **Aug. 23, 2021**

(30) **Foreign Application Priority Data**

Apr. 20, 2021 (KR) 30-2021-0019135

(51) **LOC (14) Cl.** **15-03**

(52) **U.S. Cl.**
USPC **D15/31**

(58) **Field of Classification Search**
USPC D15/10, 11, 13-17, 28, 22-26, 30, 31;
D12/173
CPC B62D 49/00-085; B62D 25/10; B62D
25/00; B60R 19/52; B60R 21/38
See application file for complete search history.

(56) **References Cited**

U.S. PATENT DOCUMENTS

D299,467 S *	1/1989	Ritt	D15/131
D301,040 S *	5/1989	Gemmani	D15/141
D309,146 S *	7/1990	Nemetz	D15/131
D319,834 S *	9/1991	Rutschle	D15/138
D328,467 S *	8/1992	Maleschew	D15/131
D400,895 S *	11/1998	Schrepfer	D15/131

D401,248 S *	11/1998	Schrepfer	D15/131
D549,247 S *	8/2007	Yorioka	D15/131
D575,329 S *	8/2008	Burch Gonzalez	D18/53
D588,173 S *	3/2009	Arisue	D15/130
D592,686 S *	5/2009	Schmitz	D15/131
D612,873 S *	3/2010	Spinelli	D15/131
D640,297 S *	6/2011	Deville	D15/131
D671,969 S *	12/2012	Yang	D15/122
D680,563 S *	4/2013	Yang	D15/122
D688,839 S *	8/2013	Helm	D32/1
D696,315 S *	12/2013	Schmid	D15/122
D706,320 S *	6/2014	Hynek	D15/131
D711,947 S *	8/2014	Son	D15/199
D717,850 S *	11/2014	Kawai	D15/199
D726,789 S *	4/2015	Schmid	D15/122
D745,070 S *	12/2015	Schindler	D15/122
D753,194 S *	4/2016	Jackson	D15/31
D759,129 S *	6/2016	Kushita	D15/31
D766,341 S *	9/2016	Jacobsthal	D15/31
D775,246 S *	12/2016	Seal	D15/131
D778,963 S *	2/2017	Yang	D15/31
D778,964 S *	2/2017	Yang	D15/31
D781,357 S *	3/2017	Inaba	D15/122

(Continued)

Primary Examiner — Mark A Goodwin

(74) *Attorney, Agent, or Firm* — LRK Patent Law Firm

(57) **CLAIM**

The ornamental design for hood cover of tractor for agricultural purposes, as shown and described.

DESCRIPTION

FIG. 1 is a perspective view of new design for hood cover of tractor for agricultural purposes as shown in the drawings; FIG. 2 is a front elevation view thereof; FIG. 3 is a rear elevation view thereof; FIG. 4 is a left side view thereof; FIG. 5 is a right side view thereof; FIG. 6 is a top plan view thereof; and, FIG. 7 is a bottom plan view thereof.

1 Claim, 7 Drawing Sheets



(56)

References Cited

U.S. PATENT DOCUMENTS

D792,484	S	*	7/2017	Park	D15/31
D799,562	S	*	10/2017	Okuyama	D15/31
D804,539	S	*	12/2017	Okuyama	D15/31
D809,571	S	*	2/2018	Park	D15/31
D837,271	S	*	1/2019	Tinius	D15/131
D837,837	S	*	1/2019	Park	D15/31
D843,421	S	*	3/2019	Gonzales	D15/31
D854,056	S	*	7/2019	Futagami	D15/31
D855,088	S	*	7/2019	Tinius	D15/131
D855,664	S	*	8/2019	Okuyama	D15/31
D861,741	S	*	10/2019	Humphrey	D15/31
D880,537	S	*	4/2020	Roach	D15/31
D886,875	S	*	6/2020	Kuwae	D15/31
D896,853	S	*	9/2020	Park	D15/31
D897,382	S	*	9/2020	Futagami	D15/31
D905,140	S	*	12/2020	Ferraro	D15/131
D909,425	S	*	2/2021	Park	D15/31
D928,205	S	*	8/2021	Nagelin	D15/31
D928,851	S	*	8/2021	Huenink	D15/31
D930,714	S	*	9/2021	Lee	D15/31
D932,522	S	*	10/2021	Kaneko	D15/31
D943,644	S	*	2/2022	Gearhart	D15/31
D961,625	S	*	8/2022	Okuyama	D15/31
D962,998	S	*	9/2022	Pfaffmann	D15/31
D967,872	S	*	10/2022	Venth	D15/31

* cited by examiner

FIG. 1



FIG. 2



FIG. 3

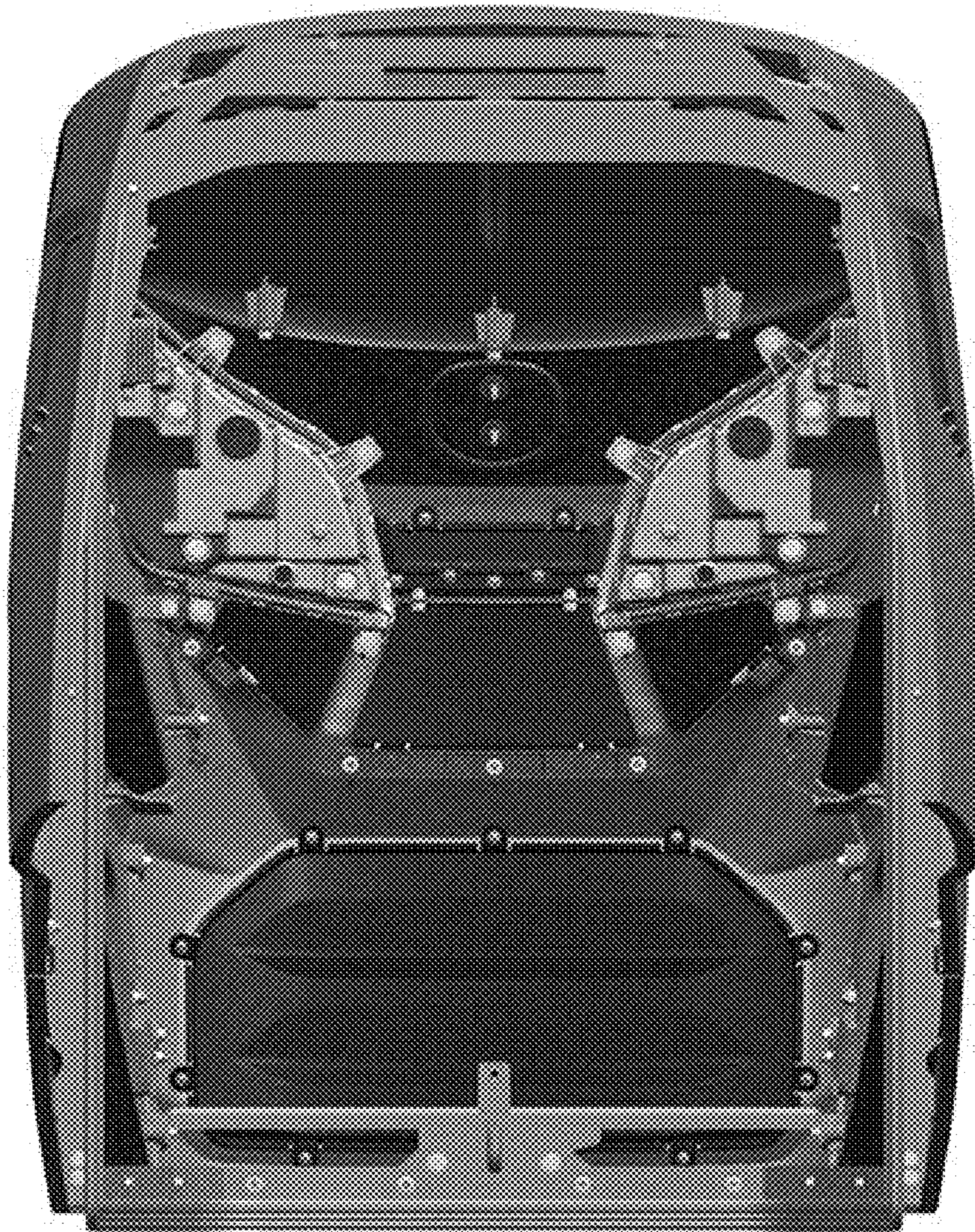


FIG. 4

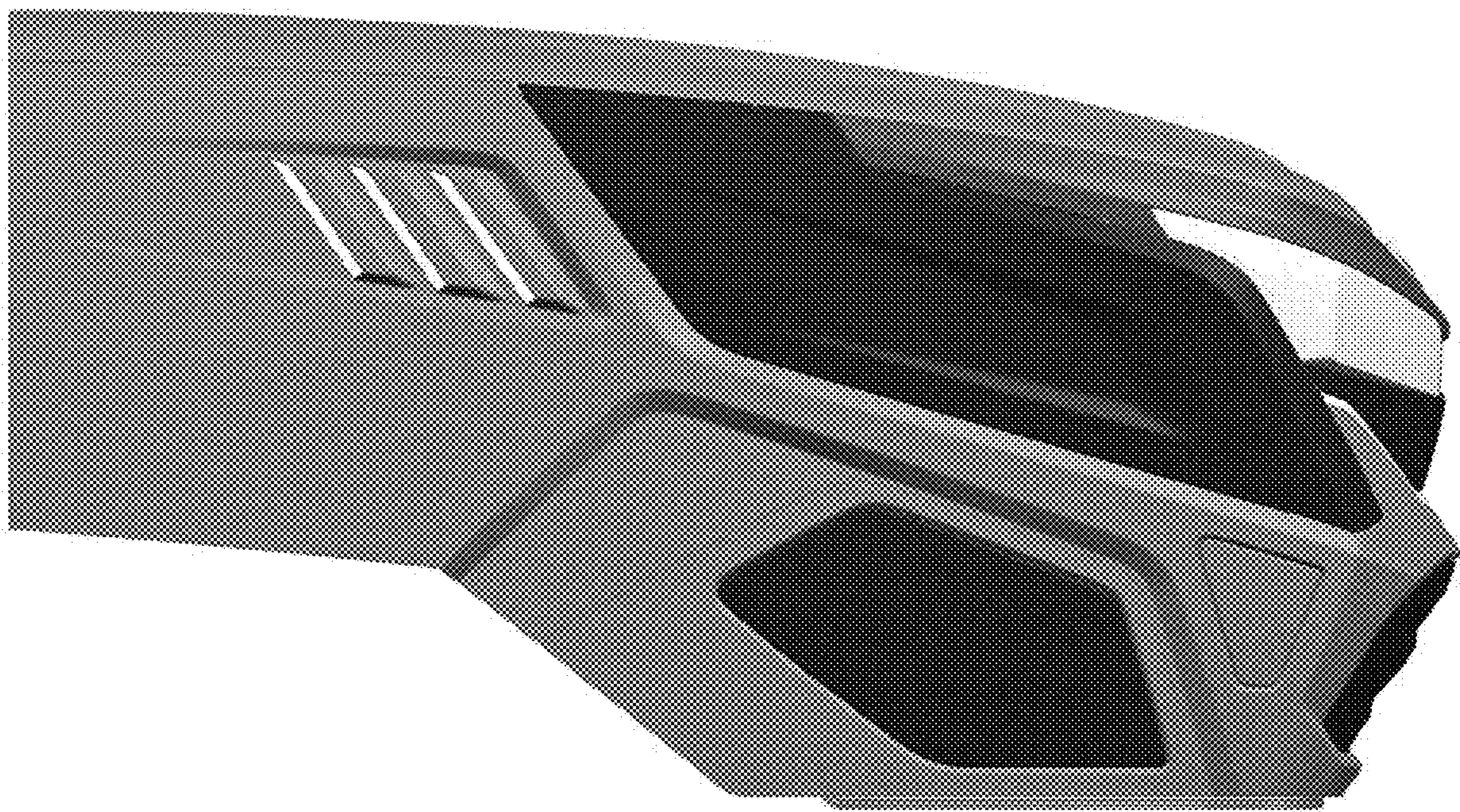


FIG. 5

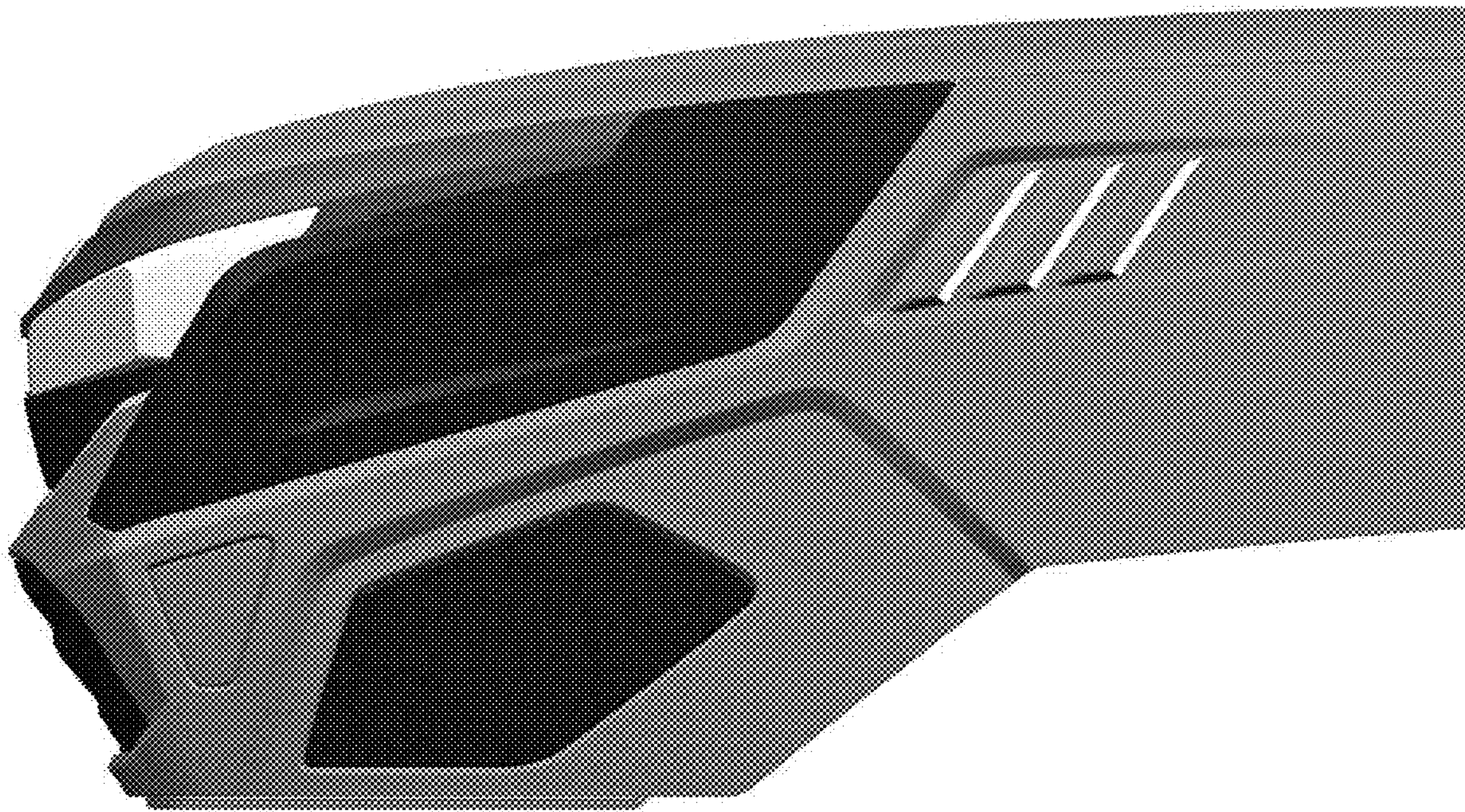


FIG. 6

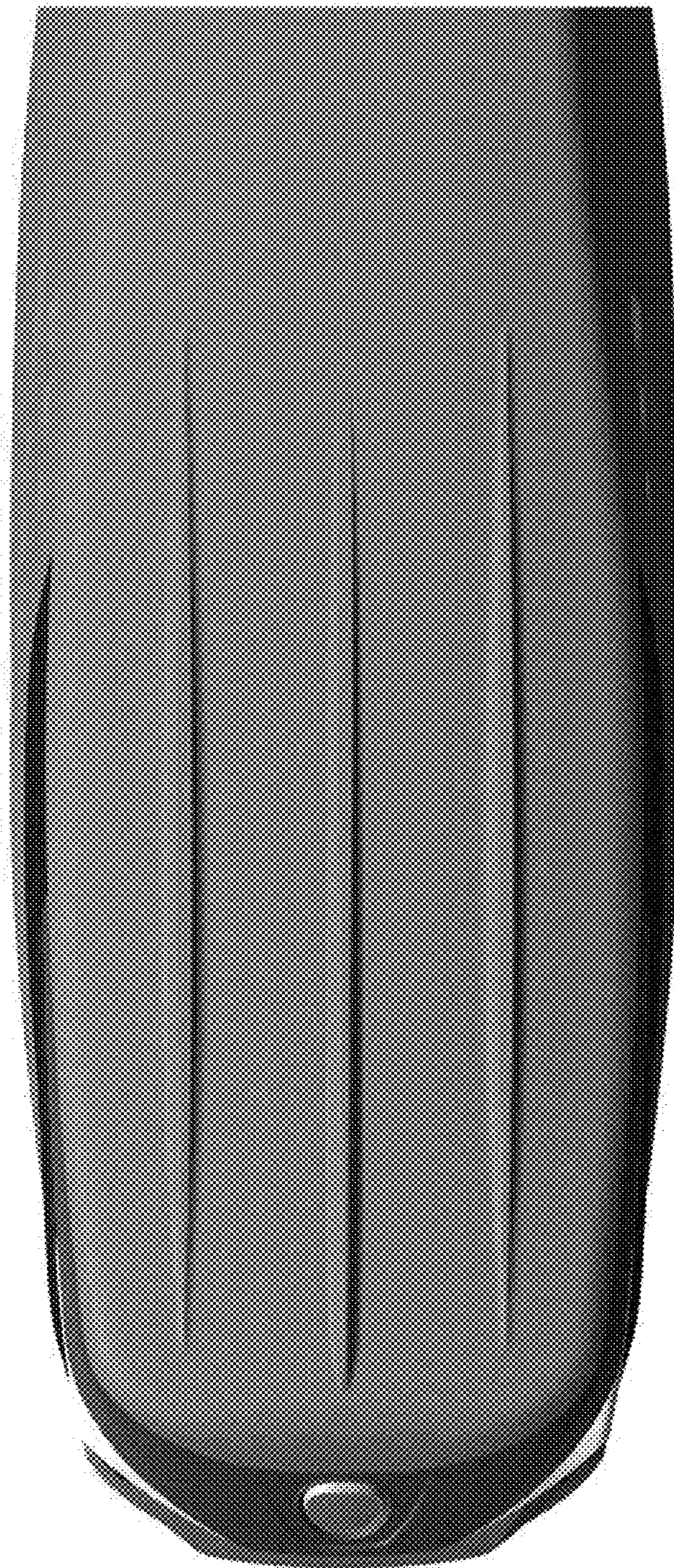


FIG. 7

