



US00D978923S

(12) **United States Design Patent** (10) **Patent No.:** **US D978,923 S**
Bjerke et al. (45) **Date of Patent:** **** Feb. 21, 2023**

(54) **BUCKET SHROUD**

D251,431 S 3/1979 Klett et al.
4,231,173 A 11/1980 Davis
D284,010 S 5/1986 Voyce
4,980,980 A 1/1991 Schadov et al.

(71) Applicant: **Caterpillar Inc.**, Peoria, IL (US)

(72) Inventors: **Nathan R. Bjerke**, Peoria, IL (US);
Michael Tancin, Valentine (AU); **Eric T. Sinn**, Tremont, IL (US)

(Continued)

FOREIGN PATENT DOCUMENTS

(73) Assignee: **Caterpillar Inc.**, Peoria, IL (US)

AU 139678 7/1999
AU 143089 7/2000

(**) Term: **15 Years**

(Continued)

(21) Appl. No.: **29/786,985**

OTHER PUBLICATIONS

(22) Filed: **Jun. 3, 2021**

Protector Shroud <https://parts.cat.com/en/catcorp/edge-protection-shrouds/135-8196> (Year: 2021).

(51) **LOC (14) Cl.** **15-03**

(Continued)

(52) **U.S. Cl.**

USPC **D15/29**; D15/28

(58) **Field of Classification Search**

USPC D15/11, 28, 29; 37/456, 452, 450, 446,
37/454, 449, 453, 455, 903; 403/379.5,
403/DIG. 1; 111/152; 172/724, 730,
172/766, 770, 771, 721, 713, 699, 772

CPC Y10T 29/49826; Y10T 403/589; Y10T
403/7018; Y10T 403/7075; E02F 9/28;
E02F 9/2825; E02F 9/2833; E02F 9/2866;
E02F 9/2858; E02F 9/2808; E02F 9/2841

See application file for complete search history.

Primary Examiner — Mark A Goodwin

(74) *Attorney, Agent, or Firm* — Saidman DesignLaw Group

(57)

CLAIM

The ornamental design for a bucket shroud, as shown and described.

DESCRIPTION

FIG. 1 is a perspective view of a bucket shroud showing our new design;

FIG. 2 is a front view thereof;

FIG. 3 is a rear view thereof;

FIG. 4 is a left side view thereof;

FIG. 5 is a right side view thereof;

FIG. 6 is a top view thereof; and,

FIG. 7 is a bottom view thereof.

The broken lines depict portions of the bucket shroud which form no part of the claimed design.

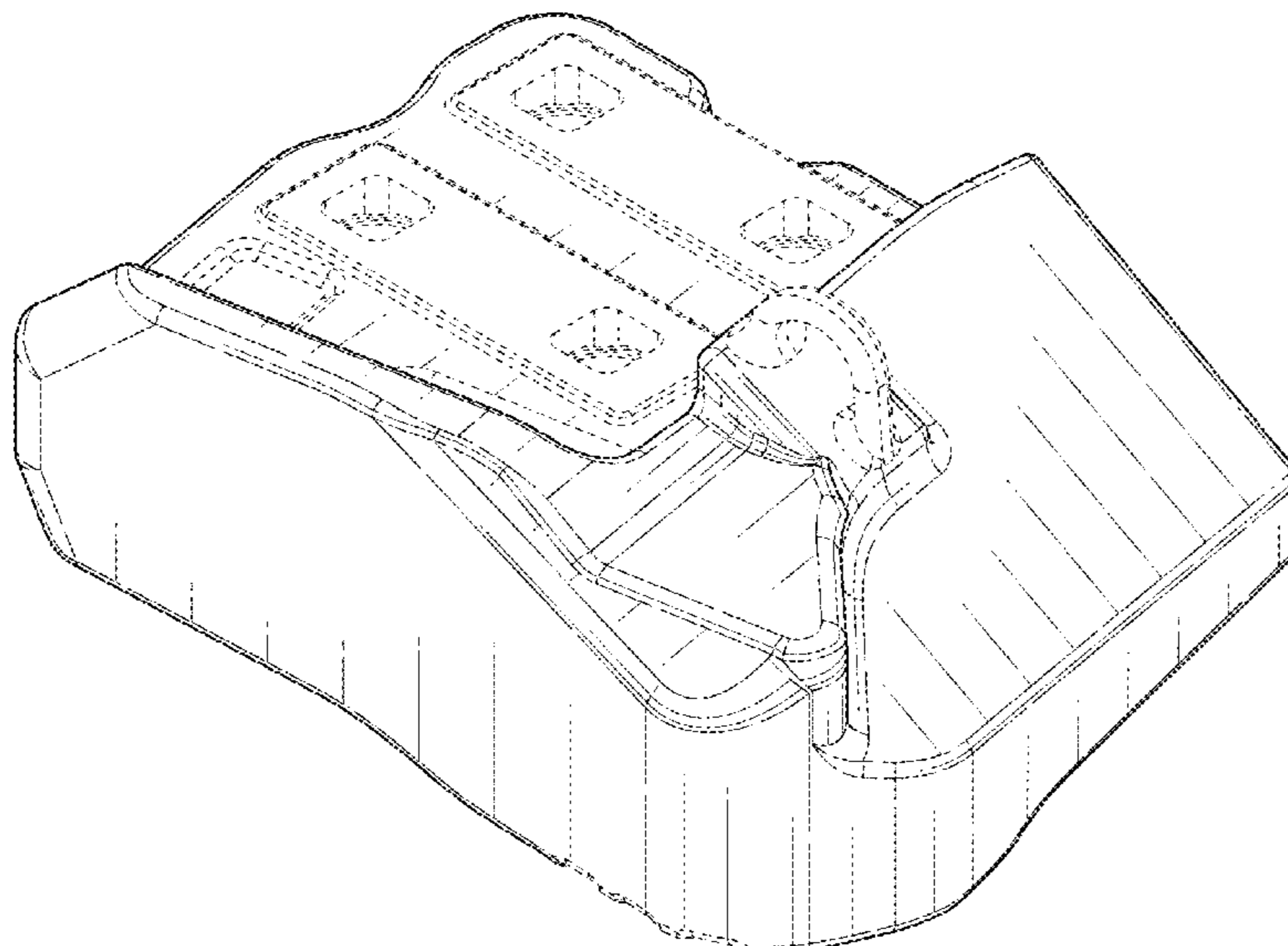
The drawings include surface shading which illustrates contour and not surface ornamentation.

(56) **References Cited**

U.S. PATENT DOCUMENTS

1,959,847 A 5/1934 Van Buskirk
2,256,488 A 9/1941 Murtaugh
3,079,710 A 3/1963 Larsen et al.
3,653,133 A 4/1972 Black et al.
3,664,044 A 5/1972 Hahn
D228,936 S 10/1973 Dahlberg et al.
D241,264 S 8/1976 Dahlberg et al.
D242,274 S 11/1976 Dahlberg et al.
D245,780 S 9/1977 Dahlberg et al.
4,047,312 A 9/1977 Stepe
T973,002 I4 8/1978 Klett

1 Claim, 5 Drawing Sheets



(56)

References Cited

U.S. PATENT DOCUMENTS

5,016,365 A 5/1991 Robinson
 5,088,214 A 2/1992 Jones
 D329,243 S 9/1992 Robinson
 D336,476 S 6/1993 Garman
 D339,593 S 9/1993 Johansson
 D365,109 S 12/1995 Robinson et al.
 D365,577 S 12/1995 Ruvang
 5,515,625 A 5/1996 Keigley
 5,553,409 A 9/1996 Irving
 D378,006 S 2/1997 Clendenning
 D381,484 S 7/1997 Clendenning
 5,709,043 A 1/1998 Jones et al.
 5,765,301 A 6/1998 Clendenning
 D406,153 S 2/1999 Holzer et al.
 D417,877 S 12/1999 Launder et al.
 6,047,487 A 4/2000 Clendenning
 6,230,424 B1 5/2001 Renski et al.
 6,385,871 B1 5/2002 Quartordt
 D458,614 S 6/2002 Esterhuysen et al.
 6,457,268 B1 10/2002 Perry et al.
 6,457,269 B1 10/2002 Esterhuysen et al.
 D478,599 S 8/2003 Zaayman et al.
 6,735,891 B2 5/2004 Pallas Moreno et al.
 6,745,503 B1 6/2004 Pallas Moreno et al.
 6,952,892 B1 10/2005 Bierwith
 6,990,760 B1 1/2006 Zaayman et al.
 6,993,861 B2 2/2006 Carpenter et al.
 D522,536 S 6/2006 Oh
 7,080,470 B2 7/2006 Jones
 D537,846 S 3/2007 Block
 D541,311 S 4/2007 Oh
 7,219,454 B2 5/2007 Maher
 7,266,914 B2 9/2007 Grant
 D554,157 S 10/2007 Renski
 D554,159 S 10/2007 Boggs et al.
 7,275,338 B2 10/2007 LaHood
 D562,356 S 2/2008 Watanabe
 D567,825 S 4/2008 Clendenning et al.
 D567,826 S 4/2008 Clendenning et al.
 D567,827 S 4/2008 Clendenning et al.
 7,367,144 B2 5/2008 Jones et al.
 D576,644 S 9/2008 Clendenning et al.
 7,451,558 B2 11/2008 Jones
 D602,505 S 10/2009 Ruvang
 D623,671 S 9/2010 Bolyard
 7,793,444 B2 9/2010 Jones
 D624,943 S 10/2010 Gibbon
 D631,490 S 1/2011 Drager et al.
 D643,049 S 8/2011 Nickels et al.
 8,024,874 B2 9/2011 McClanahan et al.
 D656,522 S 3/2012 Elliott et al.
 8,347,530 B2 1/2013 Clendenning et al.
 D676,065 S 2/2013 Attwood et al.
 D676,066 S 2/2013 Attwood et al.
 D676,067 S 2/2013 Attwood et al.
 D676,465 S 2/2013 Attwood et al.
 D678,361 S 3/2013 Attwood et al.
 8,572,870 B2 11/2013 Kudo et al.
 D706,307 S 6/2014 Renski et al.
 D706,312 S 6/2014 Renski et al.
 D706,840 S 6/2014 Renski et al.
 D707,264 S 6/2014 Renski et al.
 8,925,220 B2 1/2015 Stangeland et al.
 D727,367 S 4/2015 Renski et al.
 D727,369 S 4/2015 Renski et al.
 D728,635 S 5/2015 Kunz
 D728,636 S 5/2015 Kunz
 D728,637 S 5/2015 Kunz
 D741,375 S 10/2015 Hooijmans
 D741,918 S 10/2015 Hooijmans
 D749,147 S 2/2016 Kunz
 9,260,839 B2 2/2016 Kunz
 D751,610 S 3/2016 Serrurier et al.
 9,315,972 B2 4/2016 Anisy et al.
 9,404,240 B2 8/2016 Kunz

D766,994 S 9/2016 Kunz
 D767,647 S 9/2016 Kunz
 D769,946 S 10/2016 Kunz
 D774,566 S 12/2016 Balan et al.
 D775,241 S 12/2016 Balan et al.
 9,518,379 B2 12/2016 Kunz
 D775,673 S 1/2017 Balan et al.
 D779,566 S 2/2017 Cronk
 9,593,470 B2 3/2017 Dallard et al.
 D788,182 S 5/2017 Serrurier et al.
 9,644,348 B2 5/2017 Balan et al.
 D790,601 S 6/2017 Balan et al.
 D790,603 S 6/2017 Balan et al.
 D790,604 S 6/2017 Balan et al.
 D790,605 S 6/2017 Balan et al.
 D790,606 S 6/2017 Balan et al.
 D797,162 S 9/2017 Kunz
 D797,163 S 9/2017 Kunz
 D801,397 S 10/2017 Balan et al.
 D805,112 S 12/2017 Serrurier et al.
 D805,562 S 12/2017 Serrurier et al.
 D806,139 S 12/2017 Serrurier et al.
 D806,140 S 12/2017 Serrurier et al.
 D806,141 S 12/2017 Serrurier et al.
 D806,142 S 12/2017 Serrurier et al.
 D806,759 S 1/2018 Serrurier et al.
 9,856,629 B1 1/2018 Kunz
 9,970,181 B2 5/2018 Kunz
 D832,309 S 10/2018 Balan et al.
 D832,310 S 10/2018 Balan et al.
 10,208,452 B2 2/2019 Kunz
 D842,345 S 3/2019 Kunz
 D842,346 S 3/2019 Bjerke et al.
 D842,347 S 3/2019 Bjerke et al.
 D857,762 S 8/2019 Kunz
 D858,584 S 9/2019 Balan et al.
 D873,306 S 1/2020 Bjerke et al.
 D882,644 S 4/2020 Bjerke et al.
 D882,645 S 4/2020 Bjerke et al.
 D882,646 S 4/2020 Bjerke et al.
 10,774,499 B2 9/2020 Ollinger, IV et al.
 D901,550 S 11/2020 Bjerke et al.
 D901,551 S 11/2020 Bjerke et al.
 D901,552 S 11/2020 Bjerke et al.
 D928,849 S * 8/2021 Bjerke D15/28
 2003/0024139 A1 2/2003 Jones et al.
 2004/0107608 A1 6/2004 Meyers et al.
 2004/0216335 A1 11/2004 Jones
 2006/0117613 A1 6/2006 Jones et al.
 2007/0204490 A1 9/2007 Jones et al.
 2008/0092413 A1 4/2008 McClanahan et al.
 2009/0282711 A1 11/2009 Naher et al.
 2012/0304508 A1 12/2012 Guimaraes et al.
 2013/0008062 A1 1/2013 Guimaraes et al.
 2013/0185964 A1 7/2013 Anisy et al.
 2013/0318840 A1 12/2013 O'Uinger, IV et al.
 2014/0082976 A1 3/2014 Vicq et al.
 2014/0082977 A1 3/2014 Pilon
 2014/0173949 A1 6/2014 Karlsson et al.
 2015/0211215 A1 7/2015 Dallard et al.
 2015/0247306 A1 9/2015 Kunz
 2016/0356024 A1 12/2016 Gandy et al.
 2017/0073938 A1 3/2017 Bjerke et al.
 2018/0363274 A1 12/2018 Kunz
 2018/0363275 A1 12/2018 Kunz
 2020/0199854 A1 6/2020 Ames et al.

FOREIGN PATENT DOCUMENTS

CL 199502068 10/1996
 CL 199800391 11/1998
 CL 199901193 10/1999
 CL 199900223 11/1999
 CL 199901457 11/1999
 CL 199901583 6/2000
 CL 200501785 7/2005
 CL 200503115 9/2006
 CL 200503116 9/2006
 CL 200602263 5/2007

(56)

References Cited

FOREIGN PATENT DOCUMENTS

CL	200800173	8/2008
CL	200800174	8/2008
CL	200802524	1/2009
CL	200801735	5/2009
CL	200801764	7/2009
CL	201000618	11/2010
CL	201000739	12/2010
CL	201200732	3/2012
CL	201200733	3/2012
CL	201200291	11/2012
CL	201302335	8/2013
CL	201400896	8/2014
CL	201503078	4/2016
CL	201700123	5/2017
CL	201700124	5/2017
CL	201701496	3/2018
CL	201701497	3/2018
CL	201701498	3/2018
CL	201701499	3/2018
CL	201800157	7/2018
CL	201800175	8/2018
CL	201900854	6/2019
CL	201900855	6/2019

CL	201900856	6/2019
CL	201901234	7/2019
EM	006367660-0001	4/2019
EM	006367702-0001	4/2019
EM	006434288-0001	5/2019
WO	2007/016719	2/2007
WO	2017075663	5/2017
WO	2021221803	11/2021

OTHER PUBLICATIONS

CAT Shroud <https://parts.cat.com/en/catcorp/339-0310> (Year: 2021).
 CAT Shroud <https://parts.cat.com/en/catcoro/edge-protection-shrouds/128-5927> (Year: 2021).
 U.S. Appl. No. 62/148,992, filed Apr. 17, 2015. (Unpublished).
 U.S. Appl. No. 62/149,077, filed Apr. 17, 2015. (Unpublished).
 U.S. Appl. No. 62/149,161, filed Apr. 17, 2015. (Unpublished).
 U.S. Appl. No. 62/149,229, filed Apr. 17, 2015. (Unpublished).
 U.S. Appl. No. 29/708,296, filed Oct. 4, 2019. (Unpublished).
 U.S. Appl. No. 29/708,298, filed Oct. 4, 2019. (Unpublished).
 U.S. Appl. No. 29/708,299, filed Oct. 4, 2019. (Unpublished).
 U.S. Appl. No. 17/212,015, filed Mar. 25, 2021. (Unpublished).
 U.S. Appl. No. 17/338,025, filed Jun. 3, 2021. (Unpublished).

* cited by examiner

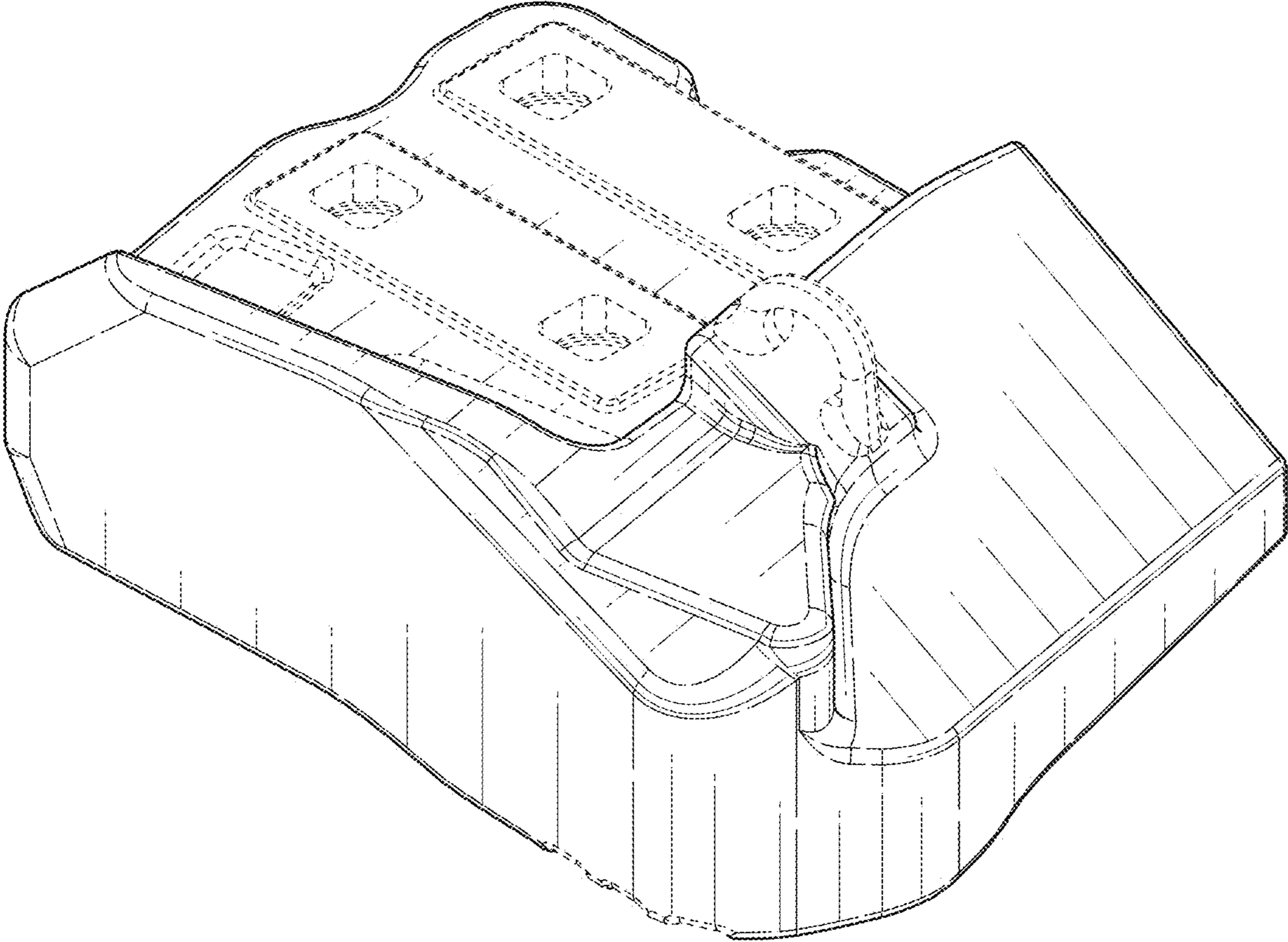


FIG. 1

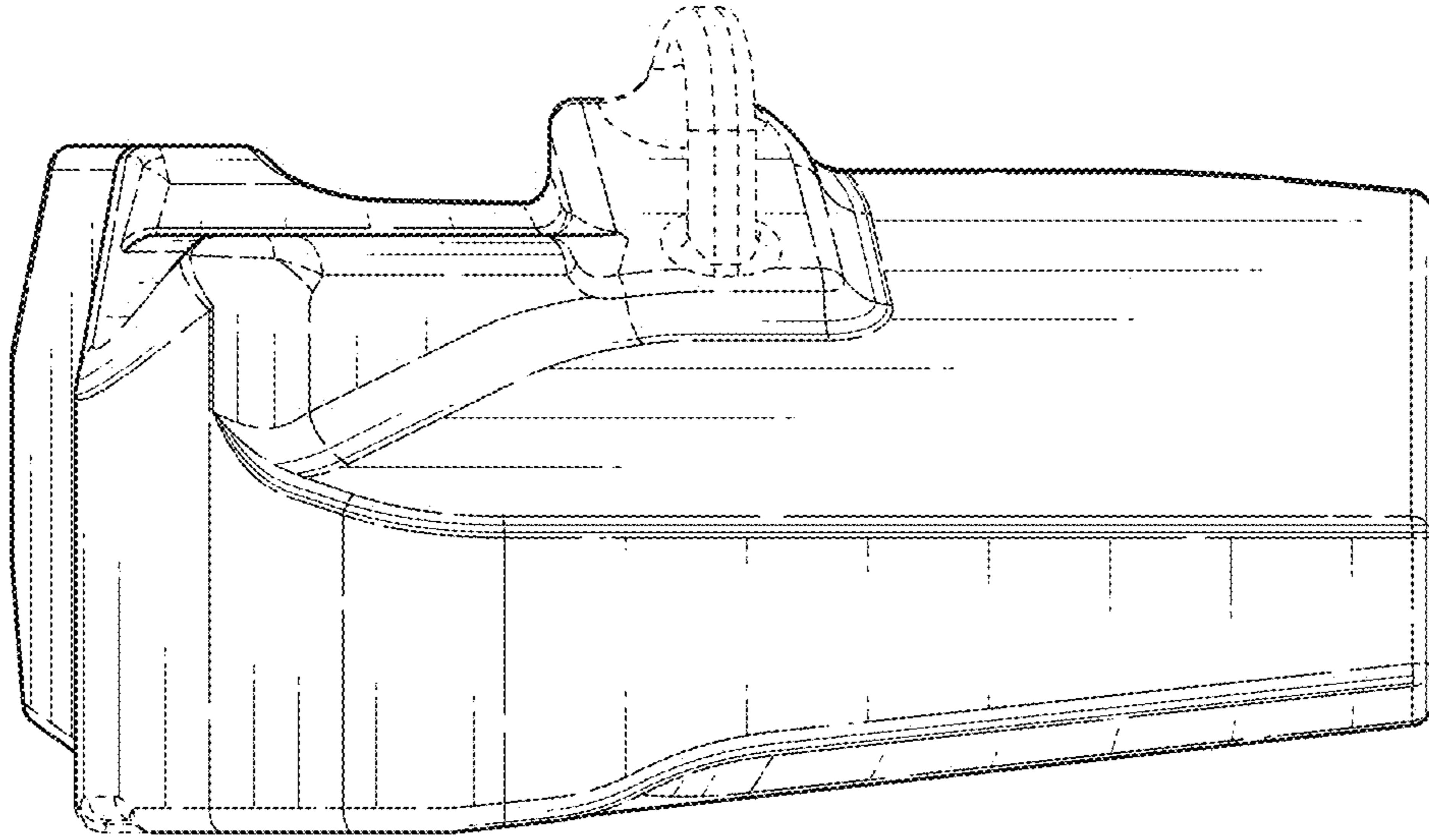


FIG. 2

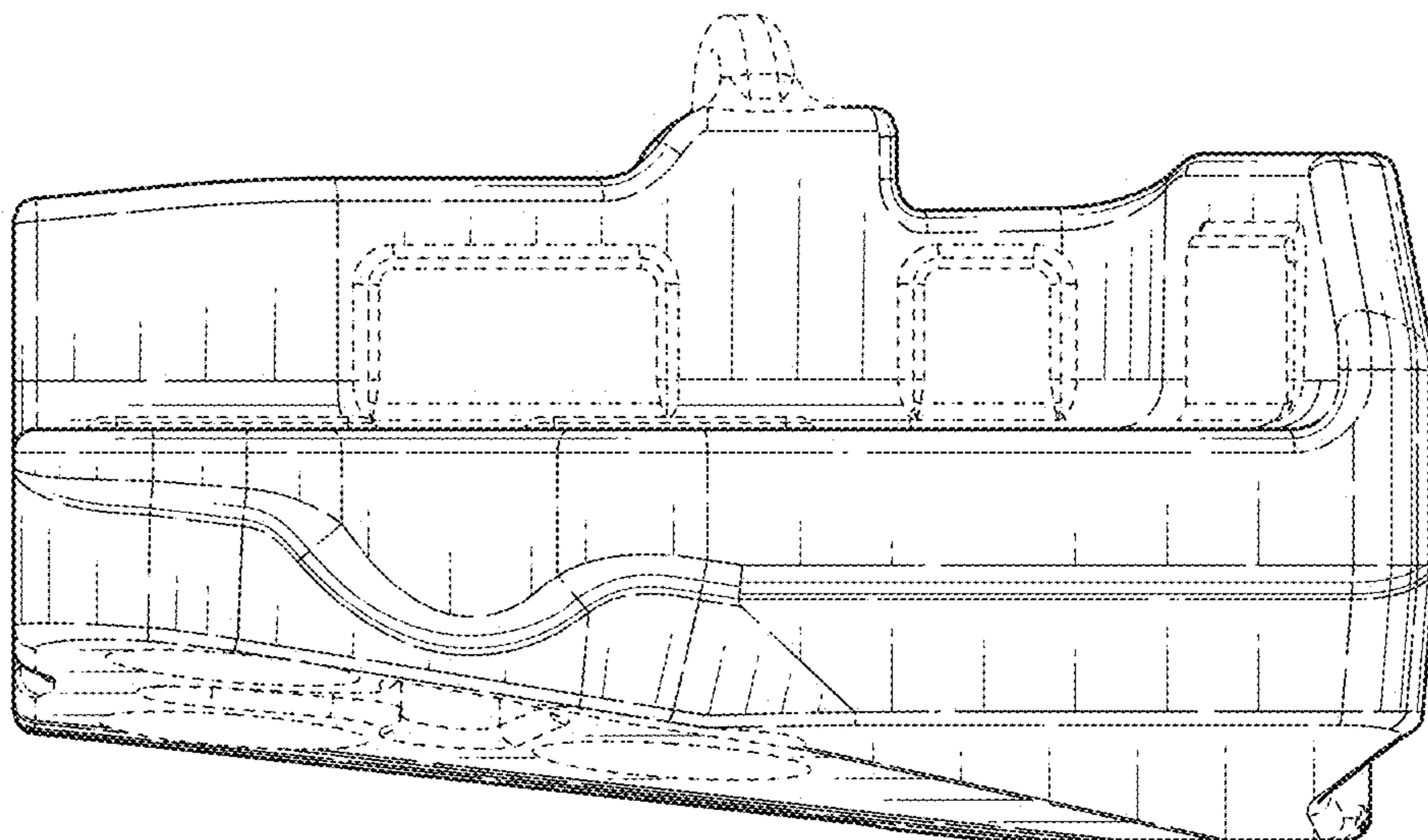


FIG. 3

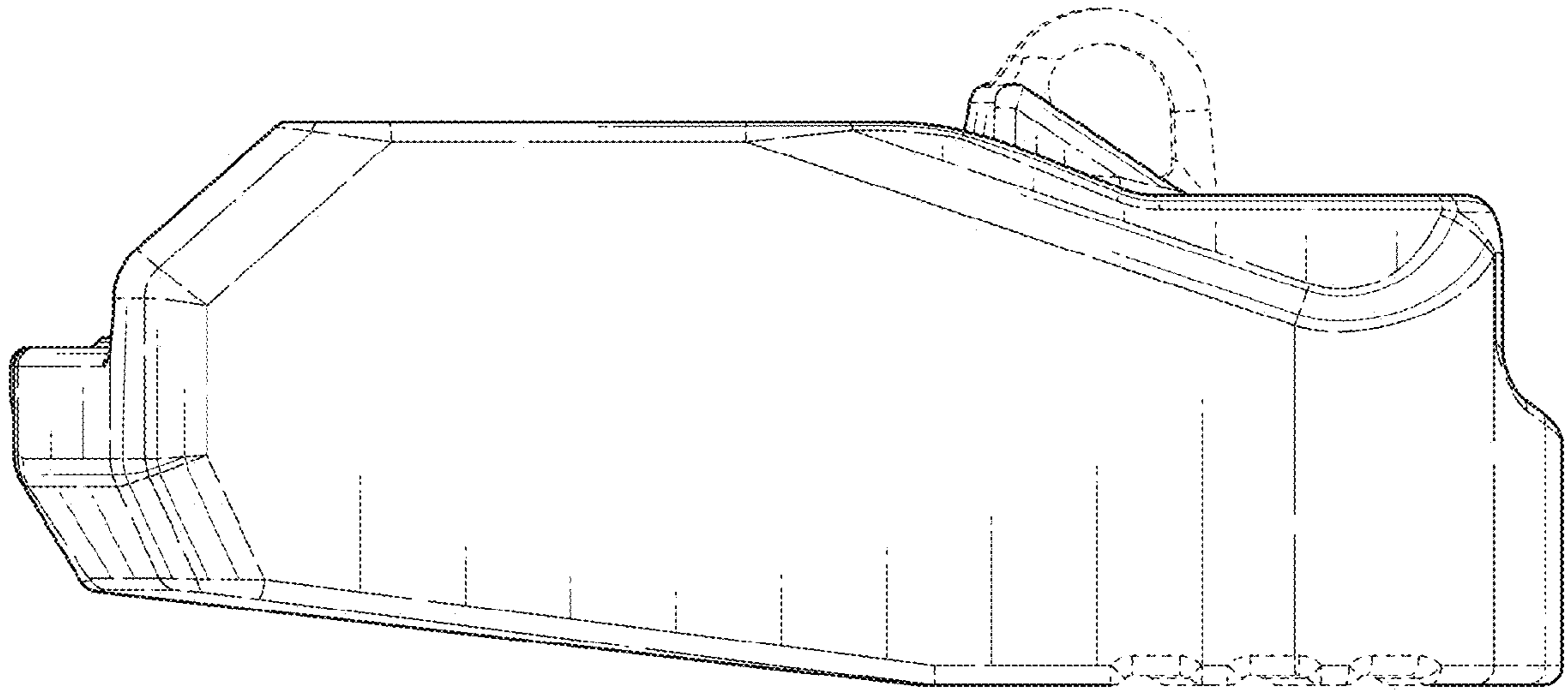


FIG. 4

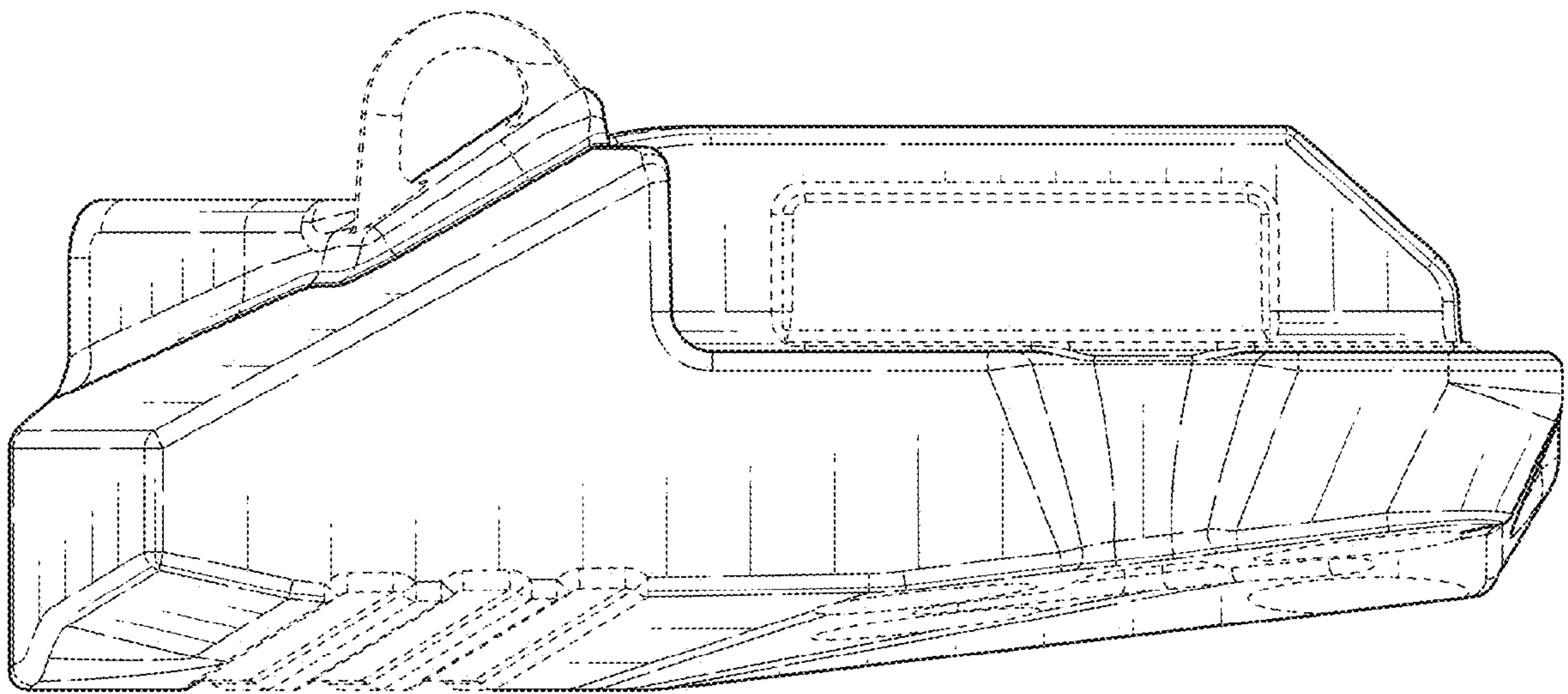


FIG. 5

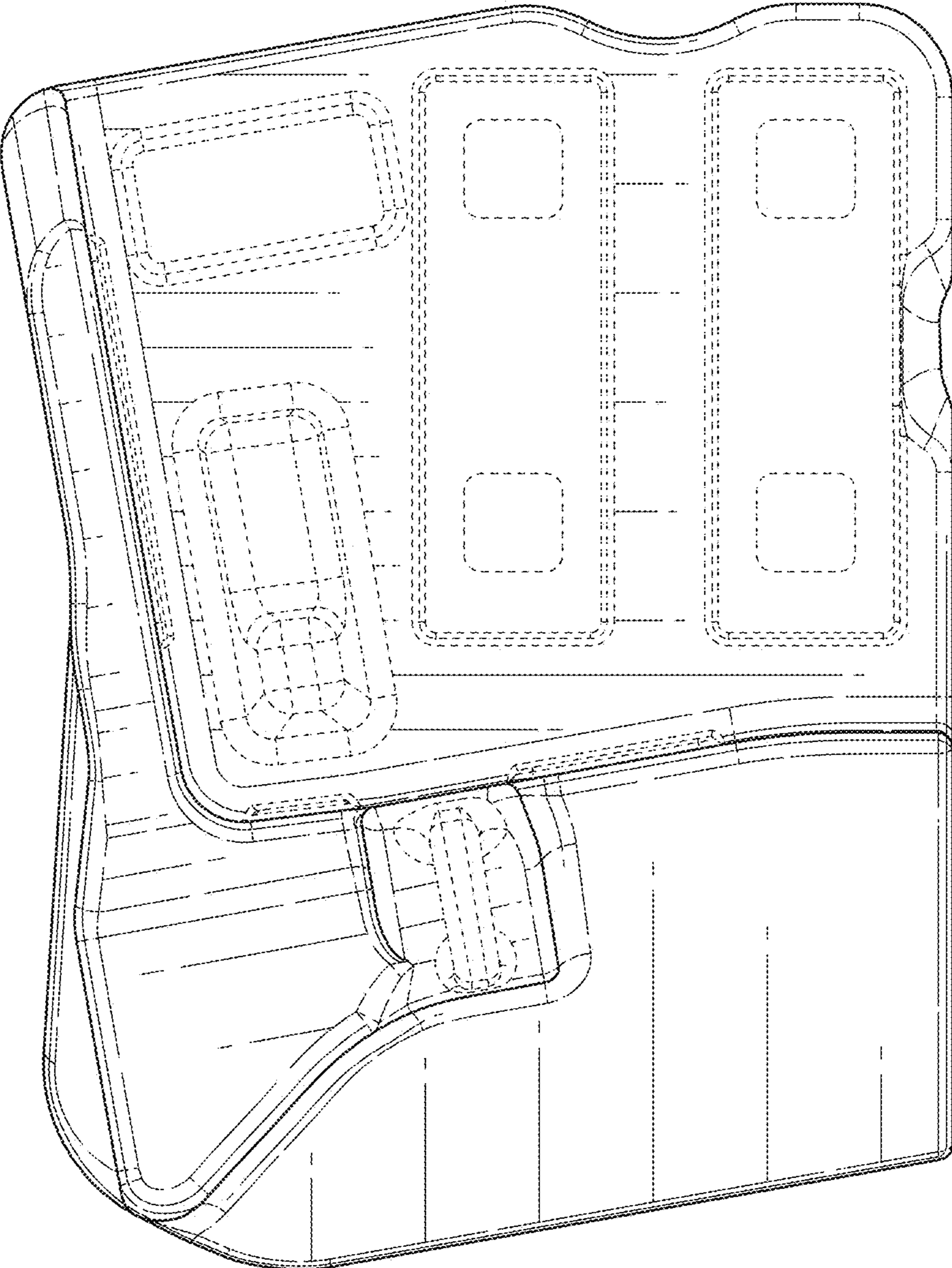


FIG. 6

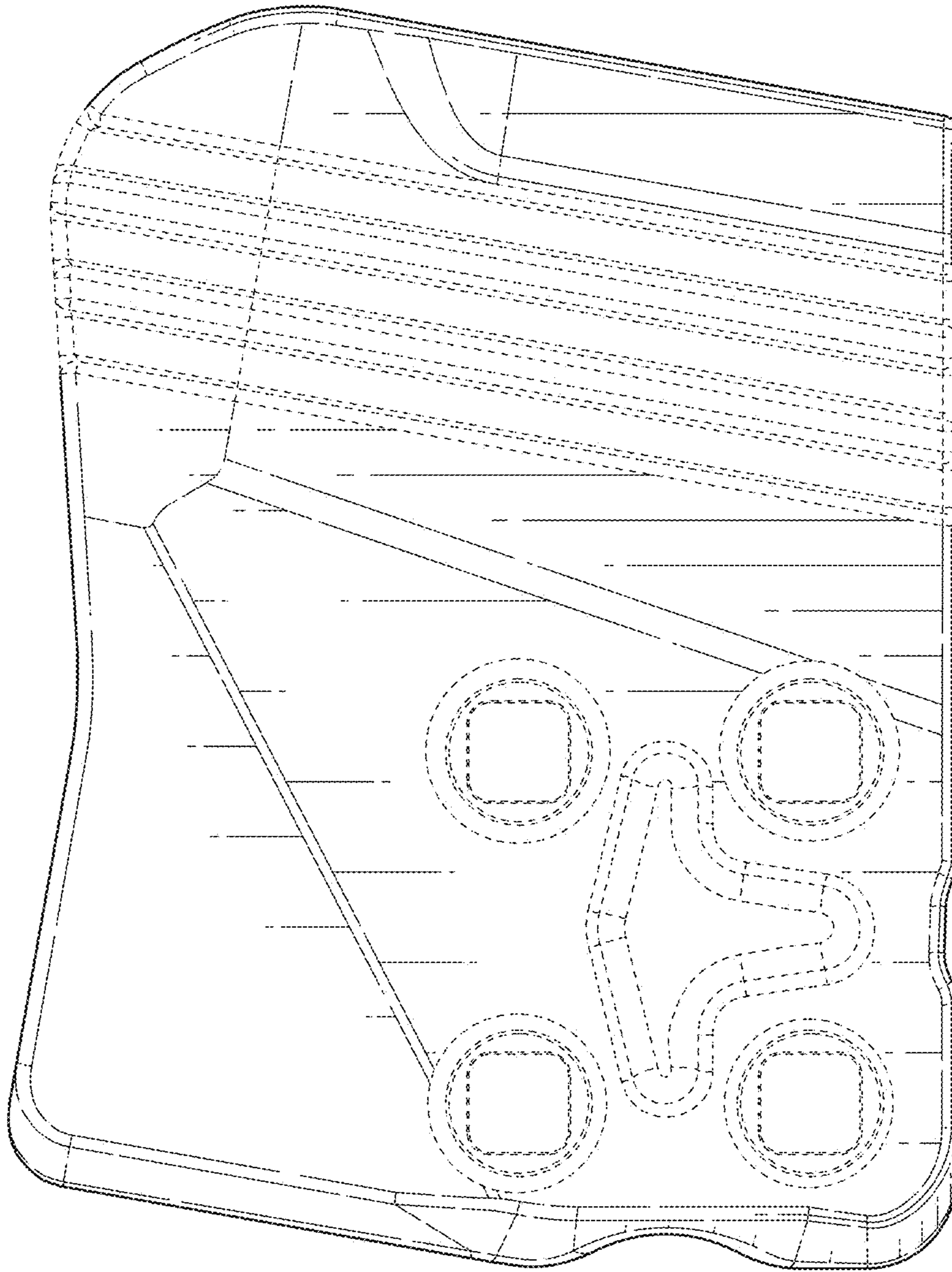


FIG. 7