



US00D978922S

(12) **United States Design Patent** (10) **Patent No.:** **US D978,922 S**  
**Rajopadhye et al.** (45) **Date of Patent:** **\*\* Feb. 21, 2023**

(54) **HARVESTER VEHICLE, TOY AND/OR REPLICAS THEREOF**

A01D 45/021; A01D 67/00; A01D 41/1208; A01D 75/00; A01B 73/00  
 See application file for complete search history.

(71) Applicant: **Deere & Company**, Moline, IL (US)

(56) **References Cited**

(72) Inventors: **Dhananjay Rajopadhye**, Pune (IN);  
**Paul M. Richardel**, Polk City, IA (US);  
**Paul J. McCredie**, Bettendorf, IA (US);  
**Shantanu Acharya**, Pune (IN); **Vivek Vedpathak**, Pune (IN); **Omkar Thurumalla**, Mississauga (CA); **Felix Nagelin**, Malibu, CA (US); **Tobias Adami**, Munich (DE)

U.S. PATENT DOCUMENTS

(73) Assignee: **DEERE & COMPANY**, Moline, IL (US)

2,216,366	A	10/1940	Greene
4,502,270	A	3/1985	Shupert
D283,135	S	3/1986	Funabashi et al.
D288,206	S	2/1987	Moscovitch
D294,223	S	2/1988	Gollon et al.
D297,142	S	8/1988	Funabashi et al.
D304,589	S	11/1989	Lanphere et al.
D311,543	S	10/1990	Hardzinski et al.
D327,276	S	6/1992	Sorensen
D348,678	S	7/1994	Budde
D353,704	S	12/1994	Bhambra
D398,616	S	9/1998	Kwak et al.
D416,266	S	11/1999	Del Torchio
D419,164	S	1/2000	Heiler et al.
D424,580	S	5/2000	Moehle et al.
6,058,637	A	5/2000	Duncan
D430,579	S	9/2000	Westendorf et al.
D443,852	S	6/2001	Huang
D447,153	S	8/2001	Hornung
D447,754	S	9/2001	Smith et al.
D448,037	S	9/2001	Westimayer et al.
D451,106	S	11/2001	Crookes et al.
D451,870	S	12/2001	Hurayt
D458,944	S	6/2002	Crookes et al.
D470,811	S	2/2003	Carroll
D471,142	S	3/2003	Carroll
D471,143	S	3/2003	Carroll
D476,100	S	6/2003	Lin
6,595,550	B1	7/2003	Meazzi
D483,383	S	12/2003	Crookes et al.
D484,080	S	12/2003	Yamamoto et al.
D492,922	S	7/2004	Numata
D495,344	S	8/2004	Farlow et al.
D495,345	S	8/2004	Farlow et al.
D496,314	S	9/2004	Perfetti et al.
D499,680	S	12/2004	Lucas
D512,079	S	11/2005	Farlow et al.
D512,445	S	12/2005	Farlow et al.
D517,121	S	3/2006	Li
D520,527	S	5/2006	Crookes et al.
D521,532	S	5/2006	Higashikawa
D522,425	S	6/2006	Beigel et al.
D528,134	S	9/2006	Vandendriessche et al.
D531,646	S	11/2006	McCarren, Jr. et al.
D531,647	S	11/2006	Stender et al.

(\*\*) Term: **15 Years**

(21) Appl. No.: **29/724,250**

(22) Filed: **Feb. 13, 2020**

**Related U.S. Application Data**

(63) Continuation of application No. 29/712,598, filed on Nov. 8, 2019, now Pat. No. Des. 914,066.

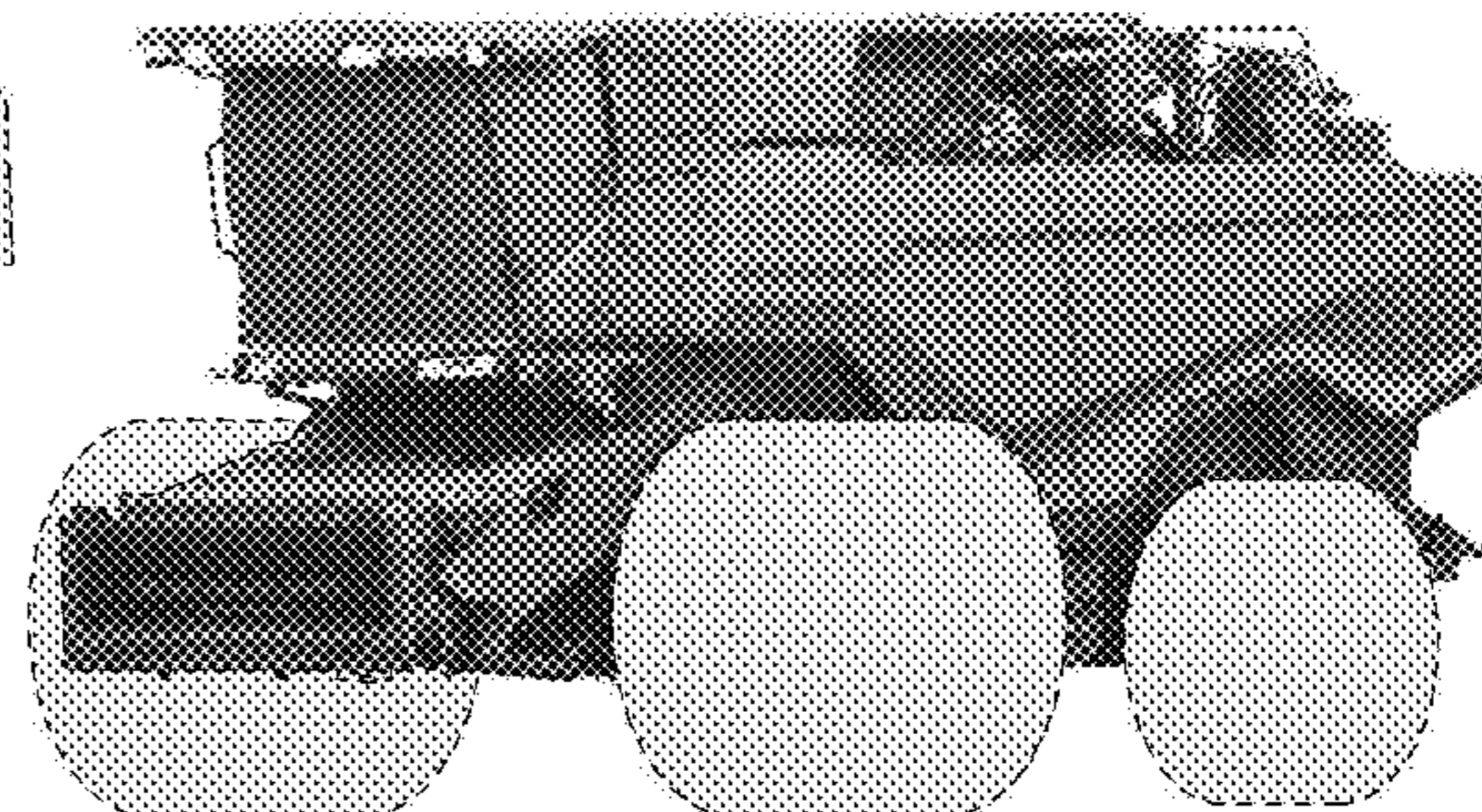
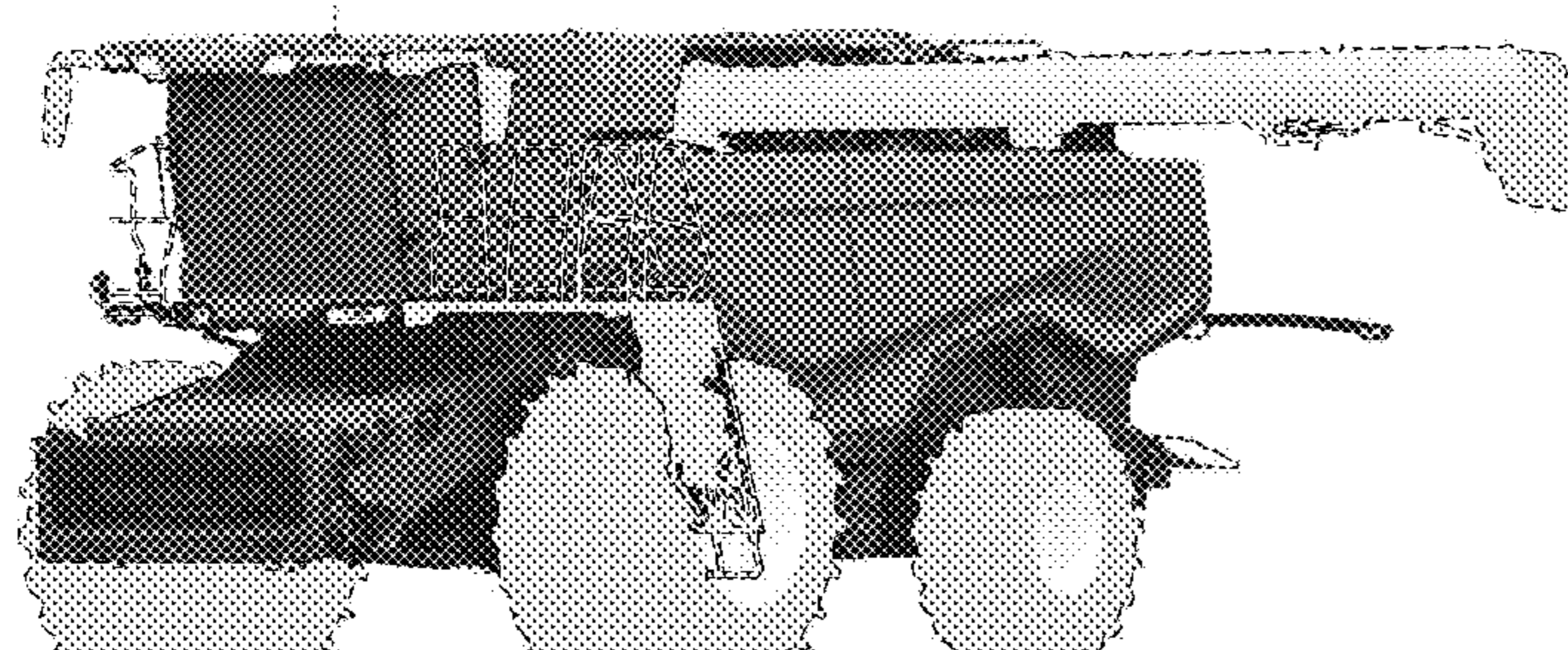
(30) **Foreign Application Priority Data**

May 9, 2019 (EM) ..... 006437083  
 May 9, 2019 (EM) ..... 006437091

(51) **LOC (14) Cl.** ..... **15-04**

(52) **U.S. Cl.**  
 USPC ..... **D15/22**

(58) **Field of Classification Search**  
 USPC ..... D15/10-12, 22-26, 28  
 CPC ..... A01D 41/00; A01D 45/00; A01D 45/02;



# US D978,922 S

D533,569 S	12/2006	Mursch	D655,318 S	3/2012	Hagele et al.
D533,882 S	12/2006	Higashikawa	D659,060 S	5/2012	Inoue et al.
D541,825 S	5/2007	Pettersson	D659,722 S	5/2012	Blind et al.
D541,826 S	5/2007	Brush et al.	D660,753 S	5/2012	Faghihzadeh
D546,254 S	7/2007	Teng	D660,755 S	5/2012	Inoue et al.
D546,255 S	7/2007	Teng	D660,874 S	5/2012	Werner et al.
D553,159 S	10/2007	Higashikawa et al.	D660,879 S	5/2012	Laugurette
D553,161 S	10/2007	Matsumoto	D660,881 S	5/2012	Bohme et al.
D553,268 S	10/2007	Pfeiffer	D661,323 S	6/2012	Krogh et al.
D554,669 S	11/2007	Crookes et al.	D662,524 S	6/2012	Crookes et al.
D556,789 S	12/2007	Kitayama et al.	D663,229 S	7/2012	Waltersdorf
D557,714 S	12/2007	Higashikawa	D663,752 S	7/2012	Hickman et al.
D558,797 S	1/2008	Yamamoto et al.	D663,753 S	7/2012	Hickman et al.
D558,799 S	1/2008	Higashikawa	D665,428 S	8/2012	Hickman et al.
D560,693 S	1/2008	Moen et al.	D665,429 S	8/2012	Hickman et al.
D561,205 S	2/2008	Pettersson	D667,851 S	9/2012	Warr
D565,211 S	3/2008	Haller et al.	D668,693 S	10/2012	Ringer
D567,257 S	4/2008	Wilkins	D668,695 S	10/2012	Ringer
D568,905 S	5/2008	Heusinger et al.	D670,744 S	11/2012	Ewringmann
D570,015 S	5/2008	Hsu	D670,745 S	11/2012	Warr
D570,378 S	6/2008	Heusinger et al.	D671,566 S	11/2012	Fang et al.
D570,382 S	6/2008	Higashikawa	D673,489 S	1/2013	Hanson et al.
D571,378 S	6/2008	Bernard et al.	D674,410 S	1/2013	Blind et al.
D574,022 S	7/2008	Higashikawa	D674,820 S	1/2013	Budde
D579,028 S	10/2008	VanDeVeer et al.	D674,821 S	1/2013	Budde
D581,467 S	11/2008	Winningham et al.	D674,938 S	1/2013	Lai
D581,955 S	12/2008	Matsumoto et al.	D675,233 S	1/2013	Kushita et al.
D591,437 S	4/2009	Saridakis et al.	D676,463 S	2/2013	Ewringmann et al.
D591,777 S	5/2009	Kokitkar et al.	D676,466 S	2/2013	Ewringmann et al.
D593,233 S	5/2009	Bai et al.	D676,786 S	2/2013	Werner et al.
D594,797 S	6/2009	Lee	D682,323 S	5/2013	Ryan et al.
D594,908 S	6/2009	Sauter	D682,324 S	5/2013	Ryan et al.
D595,778 S	7/2009	Sauter	D687,868 S	8/2013	Watson et al.
D595,779 S	7/2009	Sauter	D688,176 S	8/2013	Campbell et al.
D596,205 S	7/2009	Kawashiri et al.	D690,635 S	10/2013	Hovind et al.
D596,671 S	7/2009	Sauter	D697,536 S	1/2014	Nuebel
D597,007 S	7/2009	Ferman	D699,765 S	2/2014	Tentinger et al.
D598,831 S	8/2009	Honsel et al.	D699,766 S	2/2014	Ryan et al.
D600,183 S	9/2009	Habib	D702,608 S	4/2014	Hall et al.
D600,185 S	9/2009	Habib	D702,610 S	4/2014	Hall et al.
D600,376 S	9/2009	Sugiura	D703,699 S	4/2014	Shimomura et al.
D601,730 S	10/2009	Richards et al.	D704,749 S	5/2014	Shimomura et al.
D602,047 S	10/2009	Kushita et al.	D704,750 S	5/2014	Shimomura et al.
D602,507 S	10/2009	Kushita	D706,841 S	6/2014	Shimomura et al.
D602,616 S	10/2009	Okamura et al.	D707,729 S	6/2014	Jackson et al.
D602,991 S	10/2009	Sauter	D707,730 S	6/2014	Jackson et al.
D603,881 S	11/2009	Tamplain, III et al.	D709,419 S	7/2014	Watkins
D605,207 S	12/2009	Menges et al.	D710,264 S	8/2014	Watkins et al.
D605,668 S	12/2009	Matsumoto et al.	D711,302 S	8/2014	van Braeckel
D607,391 S	1/2010	Krauss	D711,930 S	8/2014	Kuwae et al.
D609,750 S	2/2010	Sauter	D713,075 S	9/2014	Lee
D611,963 S	3/2010	Kuwae et al.	D714,838 S	10/2014	Shimomura et al.
D613,220 S	4/2010	Ikeda et al.	D715,332 S	10/2014	Kuwae
D613,224 S	4/2010	Beigel et al.	D716,348 S	10/2014	Ryan et al.
D613,313 S	4/2010	Bhanuprakash	D716,846 S	11/2014	Carter et al.
D614,105 S	4/2010	Elliott et al.	D717,838 S	11/2014	Kuwae et al.
D614,205 S	4/2010	Kuwae et al.	D720,370 S	12/2014	Carter et al.
D620,157 S	7/2010	Frenzel et al.	D720,371 S	12/2014	Furukawa et al.
D620,503 S	7/2010	Krogh et al.	D720,871 S	1/2015	Lim et al.
D620,955 S	8/2010	Krogh et al.	D721,105 S	1/2015	Okuyama et al.
D621,757 S	8/2010	Denet	D721,742 S	1/2015	Lee et al.
D623,104 S	9/2010	Akasawa et al.	D721,994 S	2/2015	Graber et al.
D625,741 S	10/2010	Seidel et al.	D722,187 S	2/2015	Gerardo
D628,599 S	12/2010	Major	D727,371 S	4/2015	Rhayakar et al.
D629,017 S	12/2010	Major	D728,631 S	5/2015	Richard et al.
D629,818 S	12/2010	Rummer et al.	D728,640 S	5/2015	Turner et al.
D631,489 S	1/2011	Booth et al.	D729,281 S	5/2015	Carter et al.
D632,312 S	2/2011	Booth et al.	D729,282 S	5/2015	Sasaki
D632,704 S	2/2011	Seidel et al.	D733,767 S	7/2015	Kushita et al.
D636,000 S	4/2011	Kim et al.	D733,945 S	7/2015	Kennemer et al.
D637,127 S	5/2011	Faghihzadeh	D734,781 S	7/2015	Schnering et al.
D641,027 S	7/2011	Kawashiri et al.	D736,270 S	8/2015	Jackson et al.
D642,597 S	8/2011	Krogh et al.	D740,976 S	10/2015	Ko et al.
D643,444 S	8/2011	Colvin et al.	D743,065 S	11/2015	Weil
D646,305 S	10/2011	Krogh et al.	D745,717 S	12/2015	Wu
D646,333 S	10/2011	Davis	9,228,589 B2 *	1/2016	Hummel ..... A01D 46/12
D649,584 S	11/2011	Kovaliv	D748,677 S	2/2016	Kushita et al.
D650,816 S	12/2011	Koponen et al.	D749,148 S	2/2016	Darekar et al.
D655,317 S	3/2012	Hagele et al.	D749,149 S	2/2016	McAdam et al.

D751,611 S 3/2016 Smith et al.  
D753,194 S 4/2016 Jackson et al.  
D753,195 S 4/2016 Jackson et al.  
D754,210 S 4/2016 Margutti et al.  
D755,256 S 5/2016 Okuyama et al.  
D756,003 S 5/2016 Kong et al.  
D756,421 S 5/2016 Okuyama et al.  
D757,826 S 5/2016 Hartz et al.  
D759,129 S 6/2016 Kushita et al.  
D760,410 S 6/2016 Arroba  
D760,815 S 7/2016 Okuyama et al.  
D763,756 S 8/2016 Enz  
D765,740 S 9/2016 Jackson et al.  
D766,340 S 9/2016 Jackson et al.  
D766,341 S 9/2016 Jacobsthal et al.  
D768,210 S 10/2016 Jacobsthal et al.  
D772,309 S 12/2016 Underhill et al.  
D774,111 S 12/2016 Underhill et al.  
D775,033 S 12/2016 Wang  
D775,244 S 12/2016 Hart et al.  
D777,215 S 1/2017 Moritaka et al.  
D777,219 S 1/2017 Hanke et al.  
D777,220 S 1/2017 Powell  
D777,805 S 1/2017 Steinhardt et al.  
D777,957 S 1/2017 Ha et al.  
D778,963 S 2/2017 Yang et al.  
D780,231 S 2/2017 Saari et al.  
D780,232 S 2/2017 Saari et al.  
D780,233 S 2/2017 Saari et al.  
D780,235 S 2/2017 Kim  
D783,059 S 4/2017 Okuyama et al.  
D783,476 S 4/2017 Huang  
D784,425 S 4/2017 Cooksey et al.  
D784,887 S 4/2017 Woolley  
D785,050 S 4/2017 Okuyama et al.  
D785,051 S 4/2017 Okuyama et al.  
D785,053 S 4/2017 Okuyama et al.  
D785,681 S 5/2017 Okuyama et al.  
D786,945 S 5/2017 Smith et al.  
D787,721 S 5/2017 Lai  
D789,427 S 6/2017 Jackson et al.  
D791,659 S 7/2017 Ito et al.  
D792,300 S 7/2017 Ferman  
D792,483 S 7/2017 Jackson et al.  
D794,521 S 8/2017 Tseng  
D797,332 S 9/2017 Lin  
D799,728 S 10/2017 Whitla et al.  
D800,038 S 10/2017 Ferman  
D802,871 S 11/2017 Knie  
D803,435 S 11/2017 Cotner et al.  
D804,539 S 12/2017 Okuyama et al.  
D808,315 S 1/2018 Danze  
D809,682 S 2/2018 Lin  
D815,001 S 4/2018 Banceu et al.  
D815,577 S 4/2018 Chiang  
D822,241 S 7/2018 Lee et al.  
D824,058 S 7/2018 Hong et al.  
D824,305 S 7/2018 Henry et al.  
D826,994 S \* 8/2018 De Smet ..... D15/26  
D828,245 S 9/2018 Scott  
D837,837 S 1/2019 Park  
D843,421 S 3/2019 Gonzales et al.  
D843,621 S 3/2019 Yang  
D851,794 S 6/2019 Lin  
D854,056 S 7/2019 Futagami et al.  
D863,160 S 10/2019 Gifford et al.  
D865,600 S 11/2019 Goodrich et al.  
D866,824 S 11/2019 Lin  
D867,249 S 11/2019 Chen  
D871,462 S 12/2019 Svitek et al.  
D874,033 S 1/2020 Park Cheng et al.  
D874,524 S 2/2020 Iwata et al.  
D877,209 S 3/2020 Winkel et al.  
D883,535 S 5/2020 He  
D887,041 S 6/2020 Lin  
D888,108 S \* 6/2020 Loggan ..... D15/33  
D890,382 S 7/2020 Wu  
D892,369 S 8/2020 Lin  
D893,066 S 8/2020 Lin

D895,688 S \* 9/2020 Wagner ..... D15/26  
D895,730 S 9/2020 Nagelin et al.  
D897,376 S \* 9/2020 Henry ..... D15/19  
D902,815 S 11/2020 Wheel  
2004/0123504 A1 7/2004 Williams  
2014/0217718 A1 8/2014 ODonnell et al.  
2015/0307033 A1 10/2015 Preisler et al.  
2017/0086374 A1 3/2017 Engel  
2018/0117954 A1 5/2018 Brown  
2019/0364736 A1\* 12/2019 Lauff ..... A01D 43/082  
2022/0095538 A1\* 3/2022 Welle ..... A01D 41/06  
2022/0183230 A1\* 6/2022 Faulring ..... B25J 11/0045  
2022/0304228 A1\* 9/2022 Hunt ..... A01D 41/141

FOREIGN PATENT DOCUMENTS

CN 302092321 S 9/2012  
CN 302220180 S 12/2012  
CN 304913471 S 11/2018  
CN 305100471 S 5/2019  
KR 300611812 S 9/2011  
KR 300789169 S 3/2015

OTHER PUBLICATIONS

Deere & Company, Grain Harvesting Combines and Front End Equipment, Brochure, Oct. 2018.  
Claas of America, Improves Profitability with Increasing Revenue, Google Search, <https://www.serbia.claas.com/news-testimonials/current/claas-news/claas-improves-profitability-with-increasing-revenue-/1904264>, 2019.  
Claas of America, photograph of header, 2017.  
New Holland, Overview—Corn Heads Leading From The Front, Combines & Headers, <https://agriculture.newholland.com/nar/en-us/equipment/products/combines-and-headers/corn-heads>, 2019.  
Macdon Industries Ltd, D65 Draper Header, Draper Headers for Combine, <https://www.macdon.com/en/products/d65-draper-headers-for-combine/>, 2019.  
New Holland, Draper Heads—Overview Combines & Headers New Holland (US) NHAG, <https://agriculture.newholland.com/nar/en-us/equipment/products/combines-and-headers/draper-heads>, 2019.  
Case IH, Draper Heads Combine Harvester, Case IH 3100 Series II Draper Heads, <https://www.caseih.com/northamerica/en-us/products/harvesting/draper-heads>, Copyright 2020.  
Massey Ferguson, 9250 DynaFlex Draper Header, <http://www.masseyferguson.us/products/combine-harvesting/9250-dynaflex-draper-headers.html#0>, Copyright 2020.  
50 HP Blue Sonalika DI 47 Rx Tractor, retrieved from Internet <<https://www.indiamart.com/proddetail/sonalika-di-47-rx-tractor-19114279955.html>> Jun. 26, 2019, 5 pages.  
CASE Farmall A Series Tractors Brochure, 2011, 7 pages.  
CASE Farmall C Tractors Brochure, 2013, 16 pages.  
CASE Farmall U Tractors Brochure 11-13, 2013, 12 pages.  
CASE Maxxum Series Tractors Brochure, 2012, 24 pages.  
CASE Steiger Tractor Brochure, 2014, 32 pages.  
Challenger MT 465 B Tractor Decals, retrieved from Internet <<https://equipment-decals.myshopify.com/products/challenger-mt-465-b-tractor-decals>> Jun. 26, 2019, 5 pages.  
Deutz 5 series brochure, publicly available before May 2015, 24 pages.  
Deutz 308 8514 34-1 Series 7 Agrotan, publicly available before May 2015, 28 pages.  
Deutz-Fahr, Deutz Agroclimber F-V—Tractors Crawlers, retrieved from internet <<http://www.deutz-fahr.com/en-US/products/tractors/722-agroclimber-f-v>> May 19, 2015, 5 pages.  
Deutz Agrofarm-g brochure, publicly available before May 2015, 11 pages.  
Deutz-Fahr, Deutz Agrolux 65-75—Tractors Open field, retrieved from internet <<http://www.deutz-fahr.com/en-US/products/tractors/835-agrolux-65-75>> May 19, 2015, 4 pages.  
Deutz-Fahr, Deutz Agrolux 310-320-410—Tractors Open field, retrieved from internet <<http://www.deutz-fahr.com/en-US/products/tractors/864-agrolux-310-320-410>> May 19, 2015, 4 pages.

AGCO, Fendt 200Vario, publicly available before May 2015, 17 pages.  
 John Deere Pedal Tractor Decals Tractors, retrieved from internet <<http://todayview.co/ideas/>> Jun. 26, 2019, 3 pages.  
 Mahindra JIVO 245, retrieved from internet <<https://tractorsinfo.com/mahindra-jivo-245-di-4wd-mini-tractor-price-list/>> Jun. 26, 2019, 9 pages.  
 Mahindra Tractor JIVO 245 DI, retrieved from internet <<https://www.tractorjunction.com/product/370/mahindra-tractor-ivo-245-di>> Jun. 26, 2019, 5 pages.  
 Solis 75N Traktor Schlepper Kein New Holland, retrieved from internet <<https://www.mascus.com/agriculture/used-tractors/solis-75n-traktor-schlepper-kein-new-h>> Jun. 26, 2019, 3 pages.  
 Tractor Decals, retrieved from internet <<https://www.indiamart.com/proddetail/tractor-decals-10179545988.html>>, Jun. 29, 2019, 4 pages.  
 Mahindra targets 50% share in domestic tractor market with Trakstar brand, retrieved from internet <<https://www.moneycontrol.com/news/technology/auto/mahindra-targets-50-share-in-domestic-tractor-market-with-trakstar-brand-2645381.html>> Jun. 27, 2019, 6 pages.  
 Hagner et al., Operator Station for Work Vehicle, unpublished Design U.S. Appl. No. 29/647,298, filed May 11, 2018, 101 pages.  
 Big 4, available at least as early as May 2015, 1 page.  
 Cub Cadet, available at least as early as May 2015, 1 page.  
 Massey Ferguson, available at least as early as May 2015, 1 page.  
 International Harvester, available at least as early as May 2015, 1 page.  
 Deutz-Fahr (7250 TTV Warrior), available at least as early as May 2015, 4 pages.  
 Deere & Company, Deere 8R-8RT Series, 2015, 6 pages.  
 AGCO, Fendt 900 Series, 2012, 28 pages.  
 CASE Magnum 180-380 Brochure, 2014, 28 pages.  
 AGCO, Fendt 300Vario, available at least as early as May 2015, 23 pages.  
 AGCO, Fendt 500Vario, available at least as early as May 2015, 25 pages.  
 AGCO, Fendt 700 series brochure, 2012, 32 pages.  
 AGCO, Fendt 800 Vario, 2014, 4 pages.  
 AGCO, Fendt X Concept Tractors, retrieved from <<http://www.fendt.com/us/2466.asp>> May 18, 2015, 3 pages.  
 CASE Puma Series Brochure, 2011, 28 pages.  
 Deutz-Fahr 6 Series, available at least as early as May 2015, 32 pages.  
 Deere Flared Fenders, available at least as early as May 2015, 1 page.  
 Deere Reverse Decal, available at least as early as May 2015, 1 page.

Agritechnica 2017—Gold and Silver, <https://www.agritechnica.com/en/innovation-award/gold-and-silver/>, accessed Feb. 5, 2017, 18 pages.

\* cited by examiner

*Primary Examiner* — Richard Kearney  
*Assistant Examiner* — Benjamin M Weeks  
 (74) *Attorney, Agent, or Firm* — Klintworth & Rozenblat IP LLP

(57)

**CLAIM**

The ornamental design for a harvester vehicle, toy and/or replica thereof, as shown and described.

**DESCRIPTION**

FIG. 1 is a perspective view of a harvester vehicle, toy and/or replica thereof according to our new design;  
 FIG. 2 is a first end elevational view thereof;  
 FIG. 3 is a second end elevational view thereof;  
 FIG. 4 is a first side elevational view thereof;  
 FIG. 5 is a second side elevational view thereof;  
 FIG. 6 is a first plan view thereof;  
 FIG. 7 is a perspective view of a harvester vehicle, toy and/or replica thereof according to another embodiment of our new design;  
 FIG. 8 is a first end elevational view thereof;  
 FIG. 9 is a second end elevational view thereof;  
 FIG. 10 is a first side elevational view thereof;  
 FIG. 11 is a second side elevational view thereof; and,  
 FIG. 12 is a first plan view thereof.  
 The above figures are depicted as grayscale images, and color forms no part of the claimed design.  
 The dashed lines in the figures and the relative light areas within the dashed lines show portions of the harvester vehicle, toy and/or replica thereof that form no part of the claimed design.

**1 Claim, 12 Drawing Sheets**

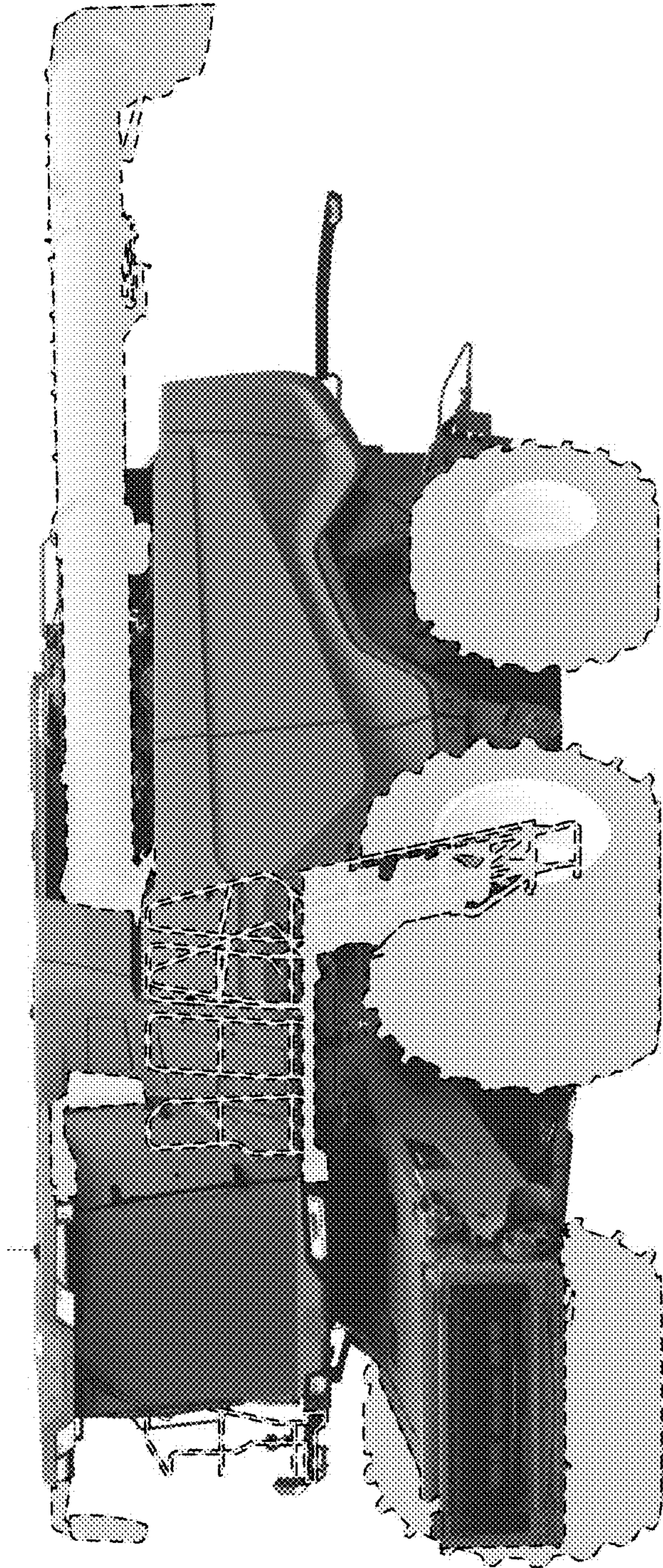


FIG. 1

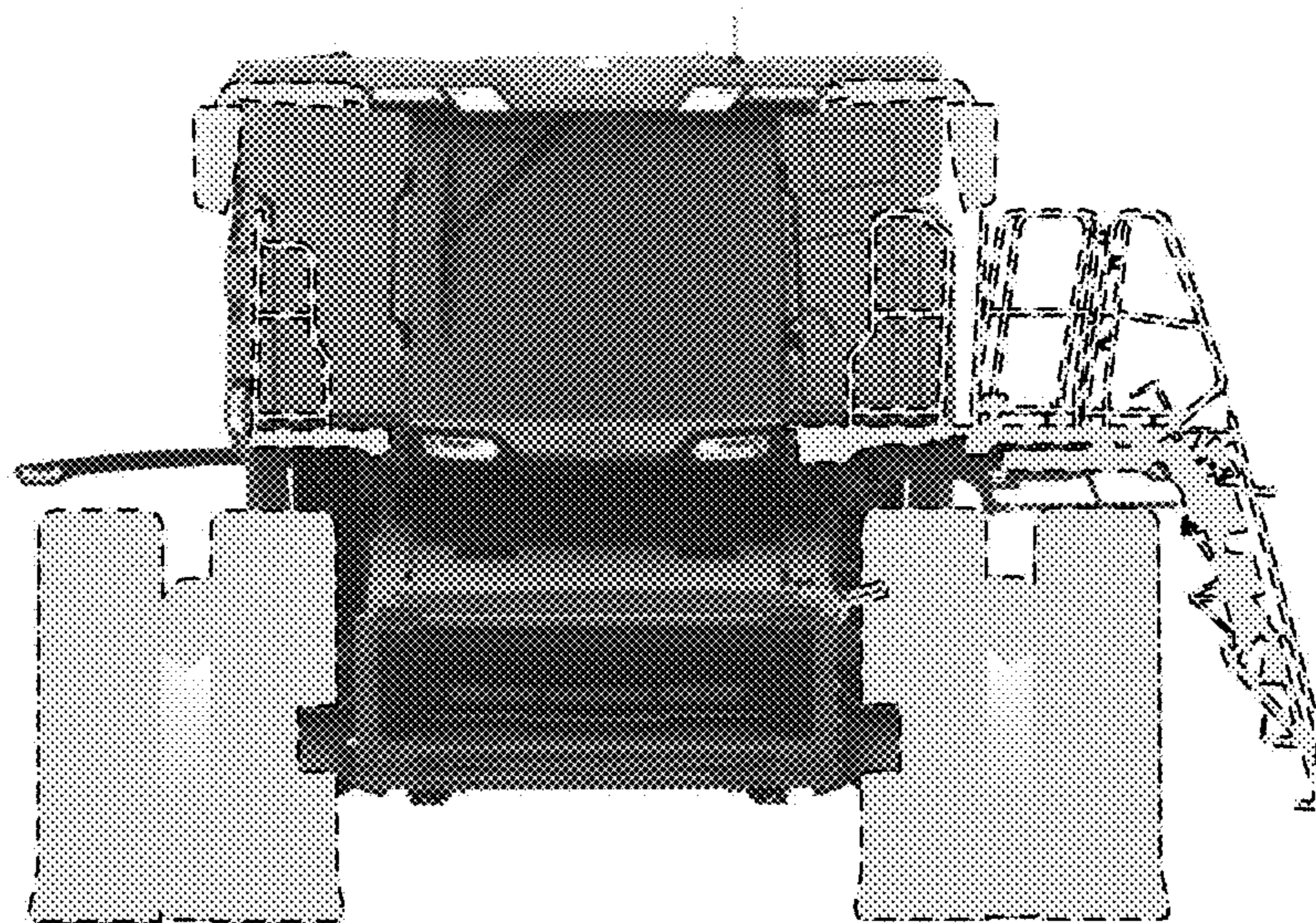


FIG. 2

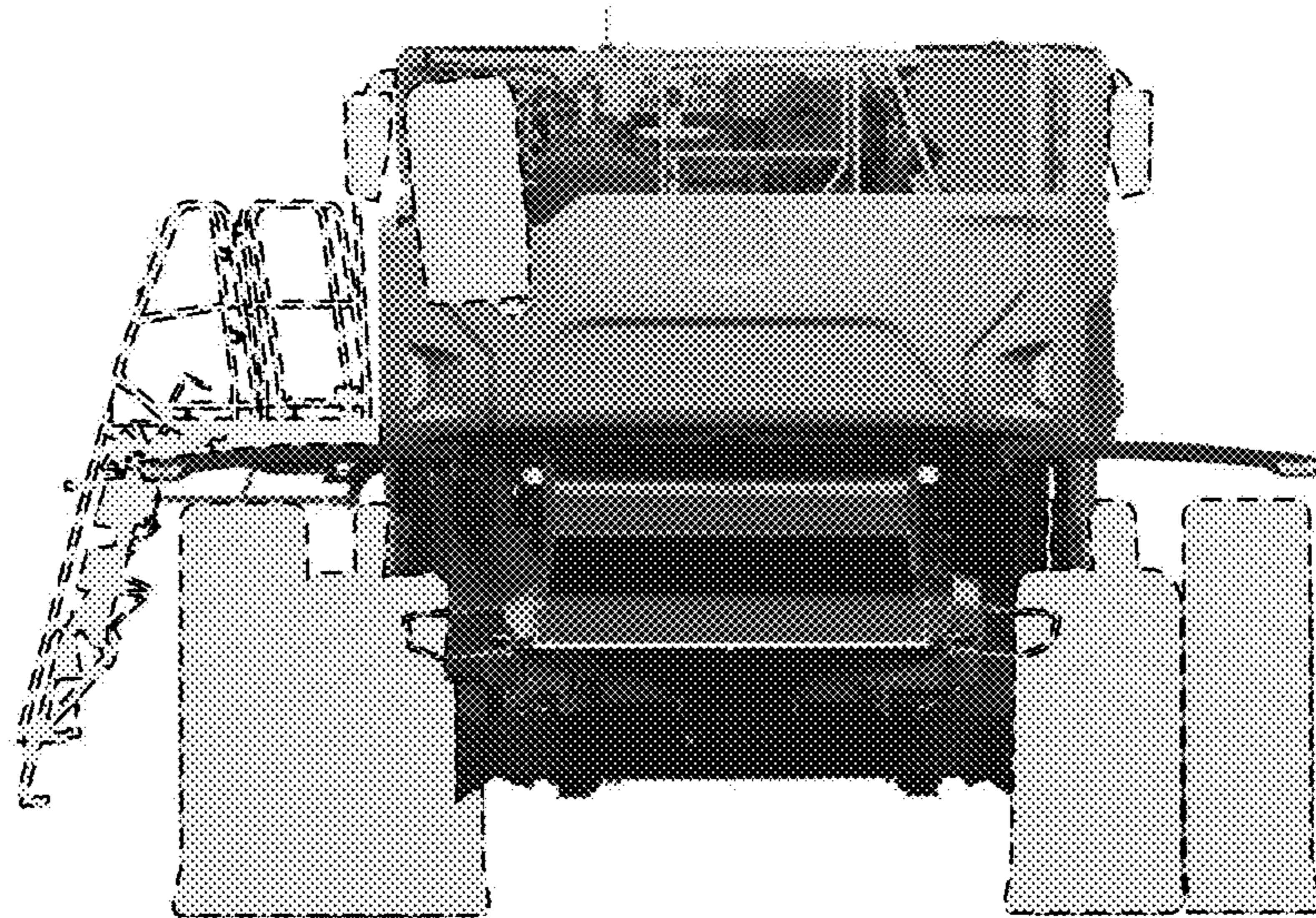


FIG. 3

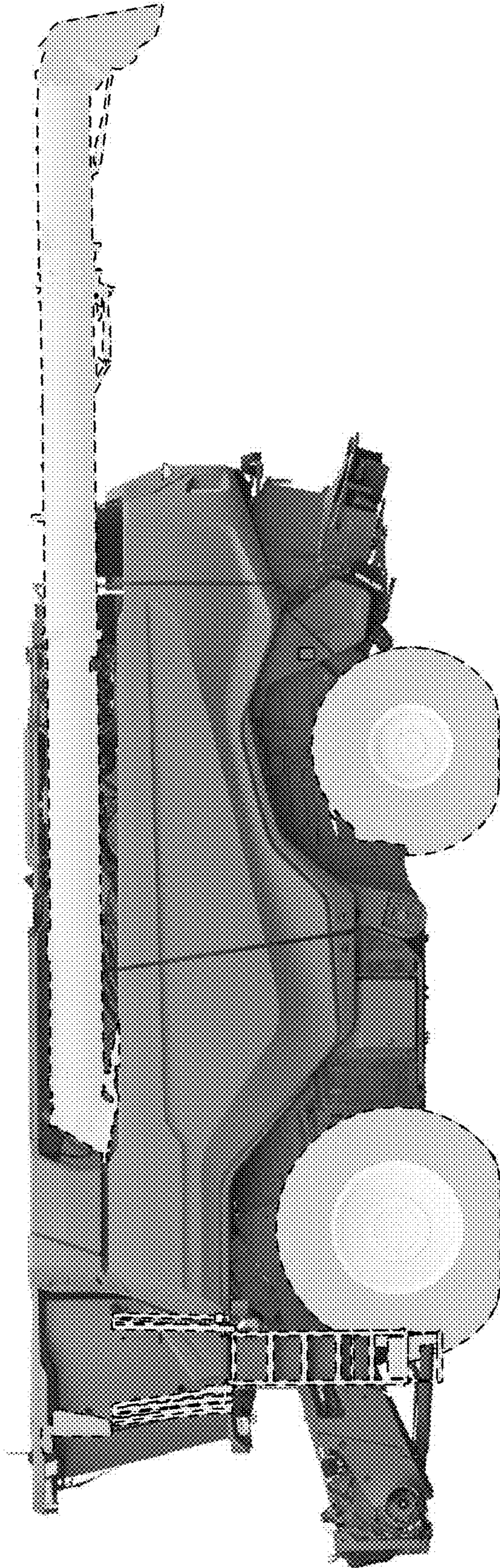


FIG. 4



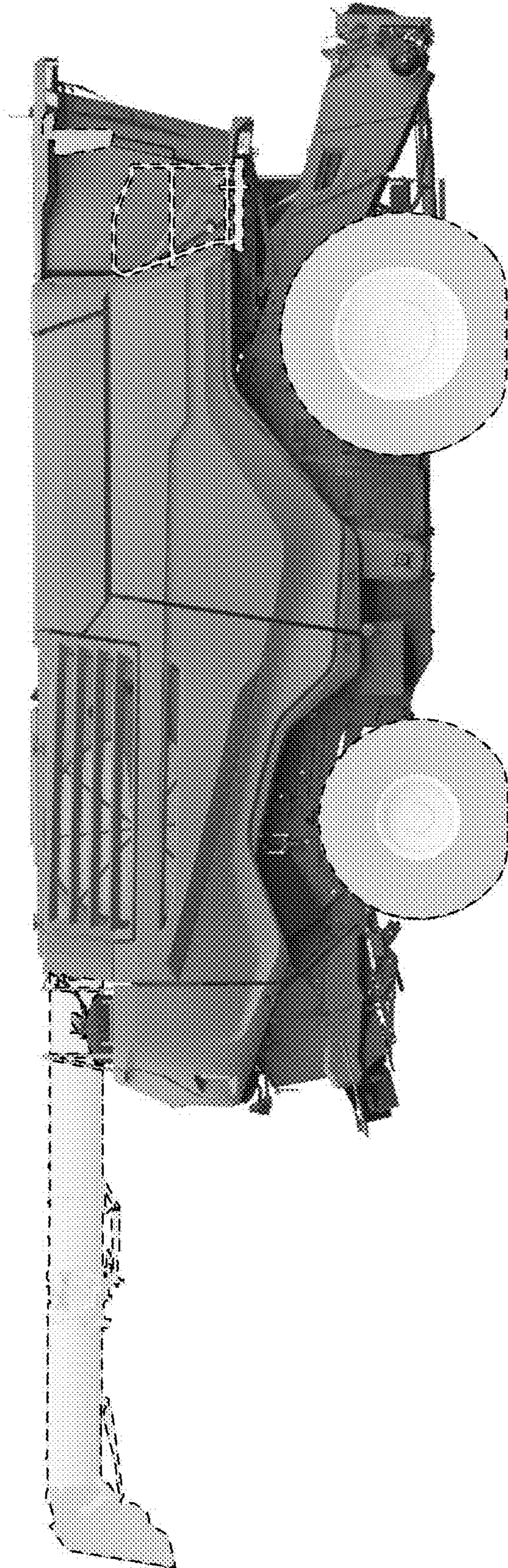


FIG. 5

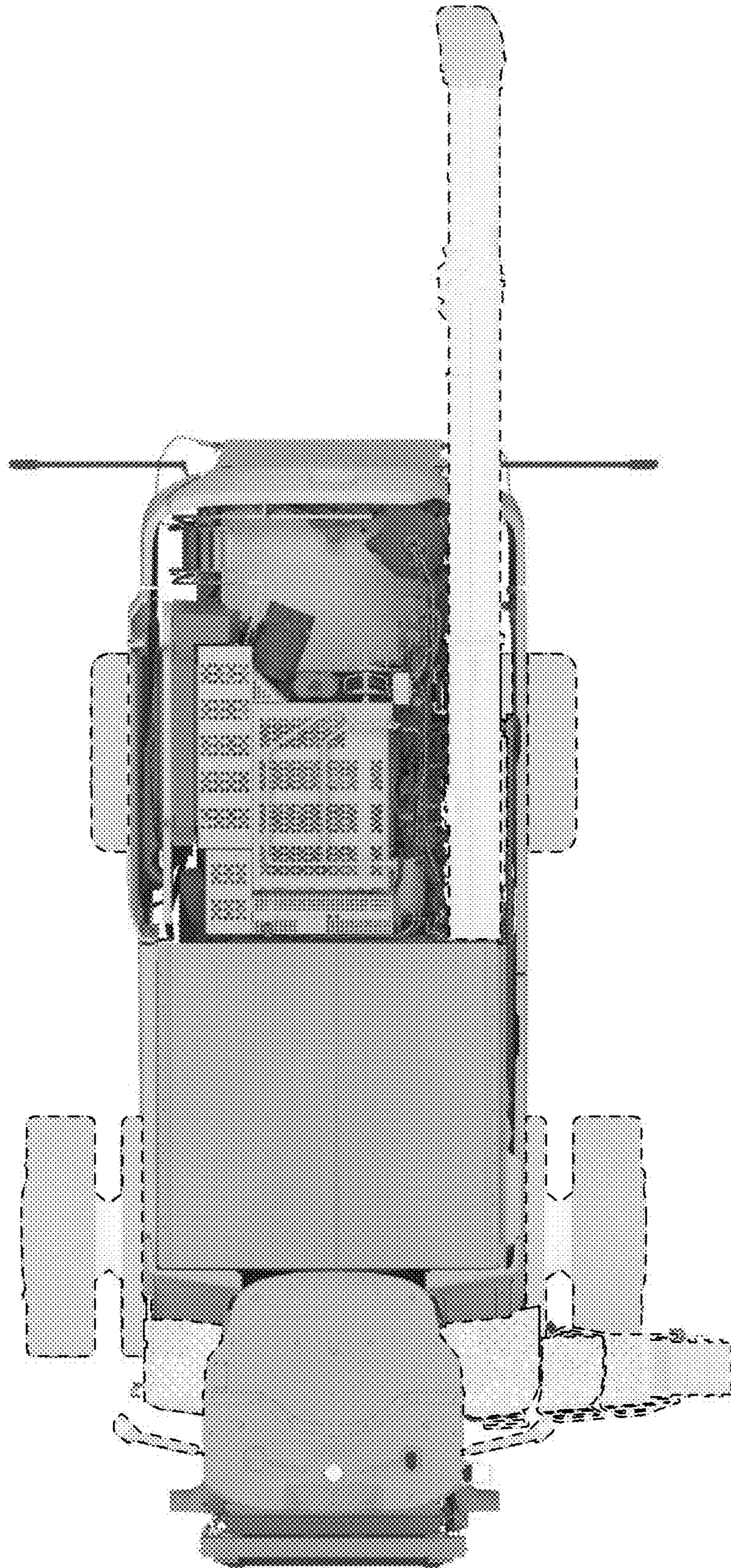


FIG. 6

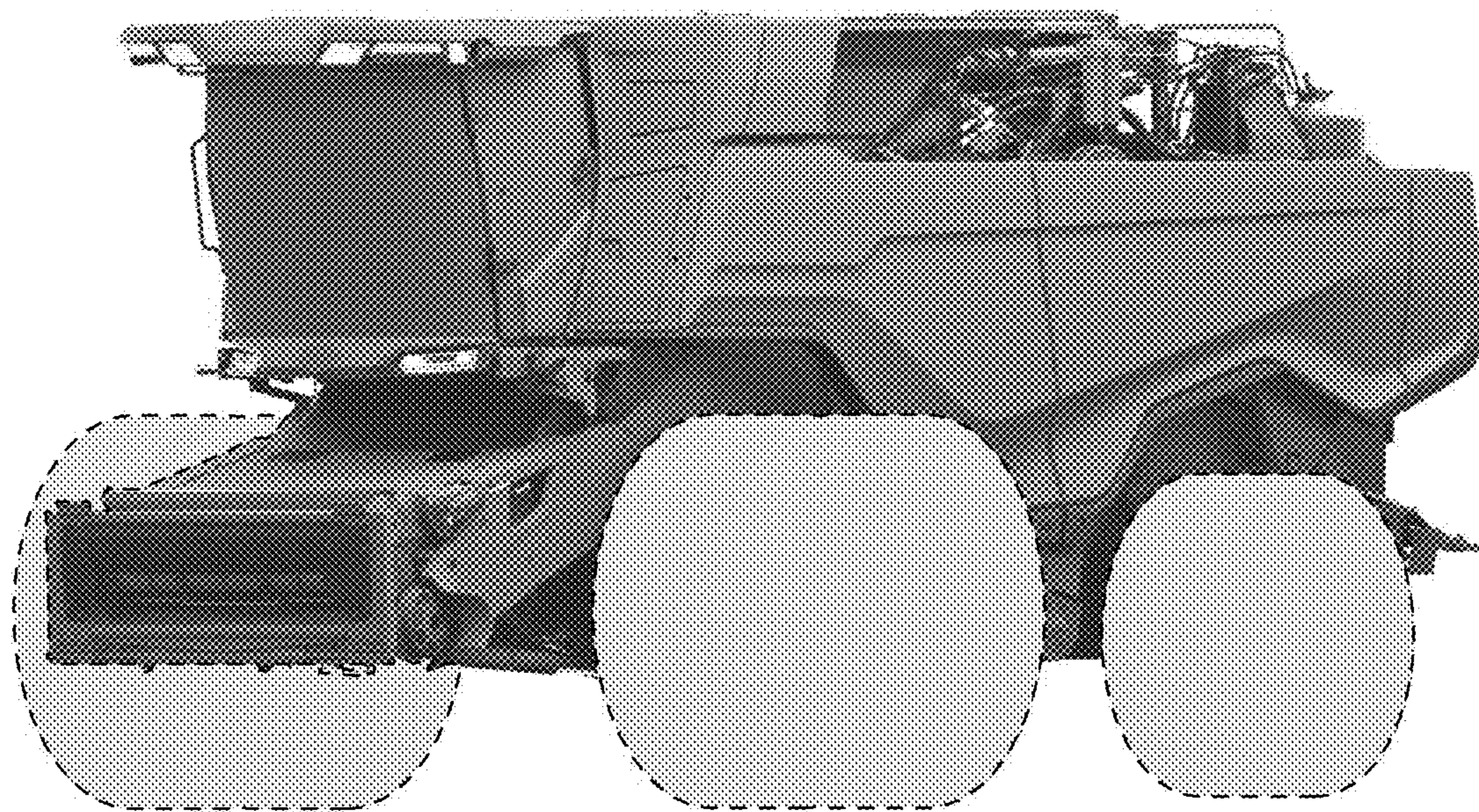


FIG. 7

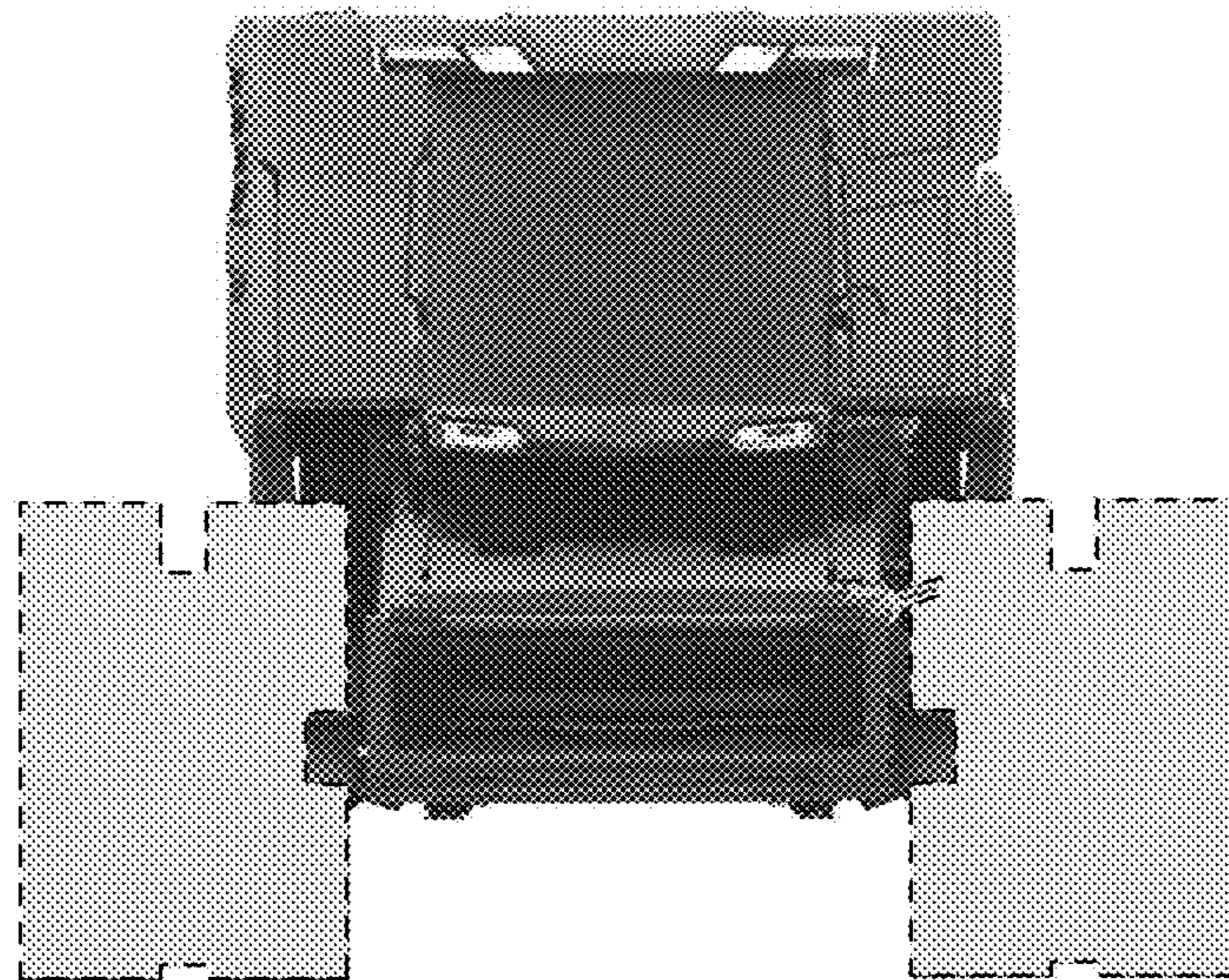


FIG. 8

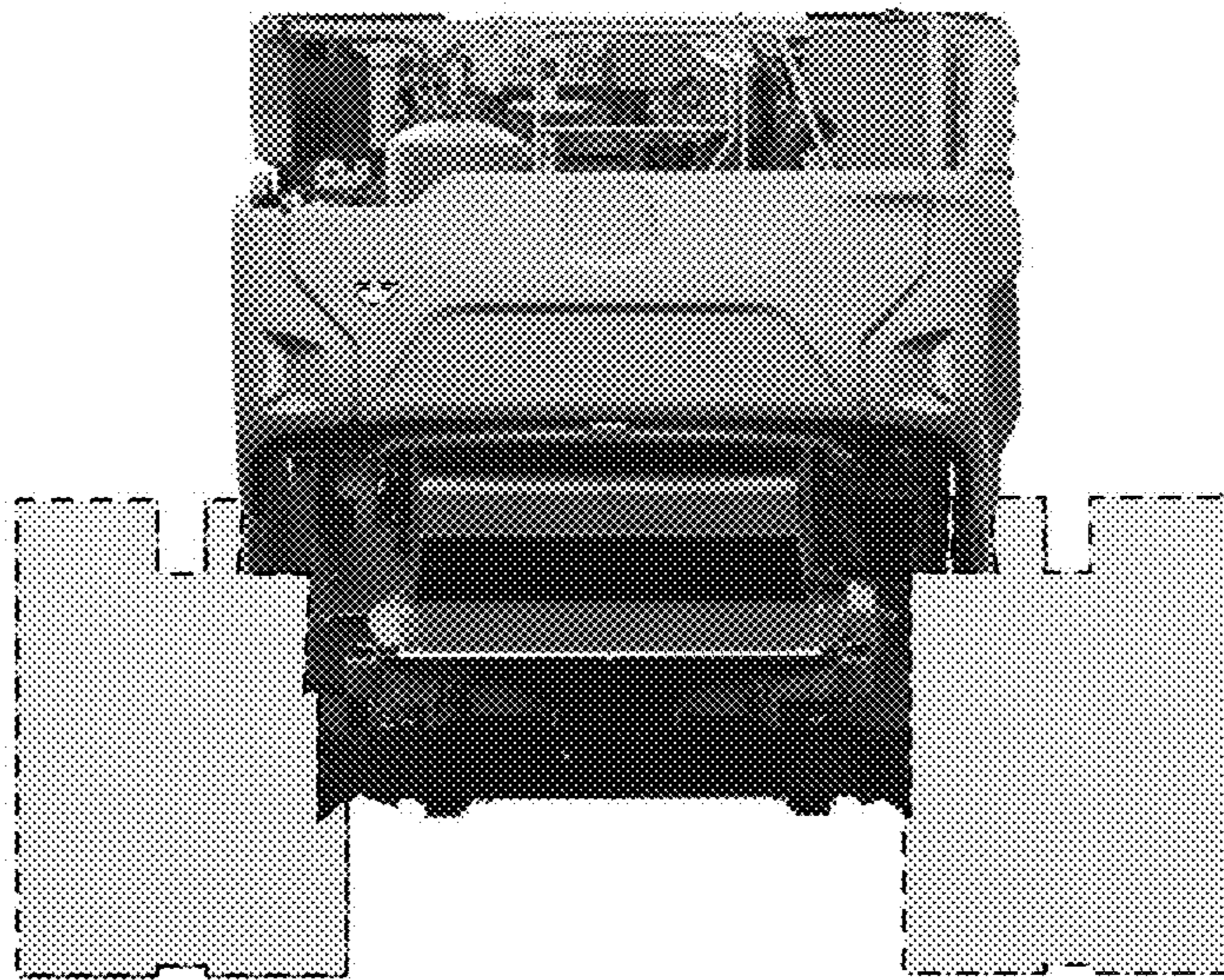


FIG. 9

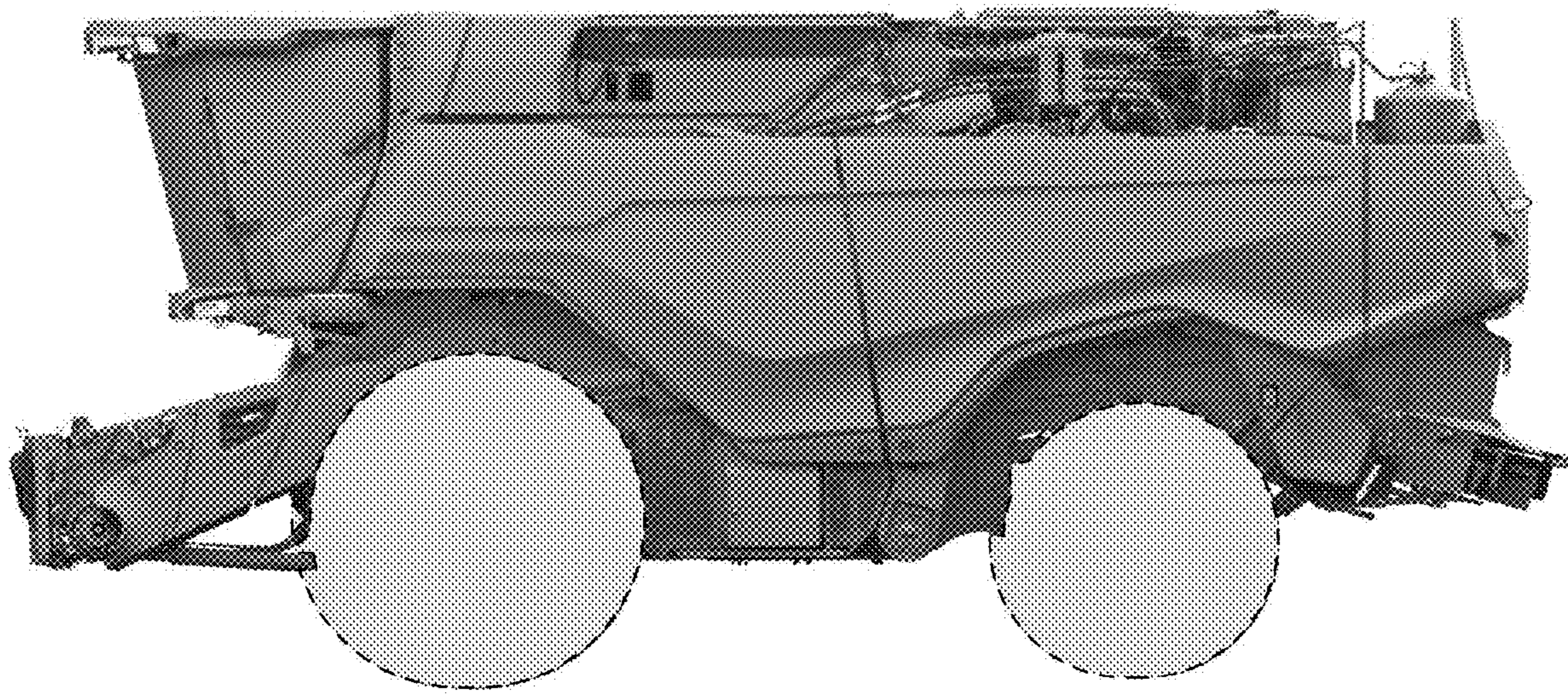


FIG. 10

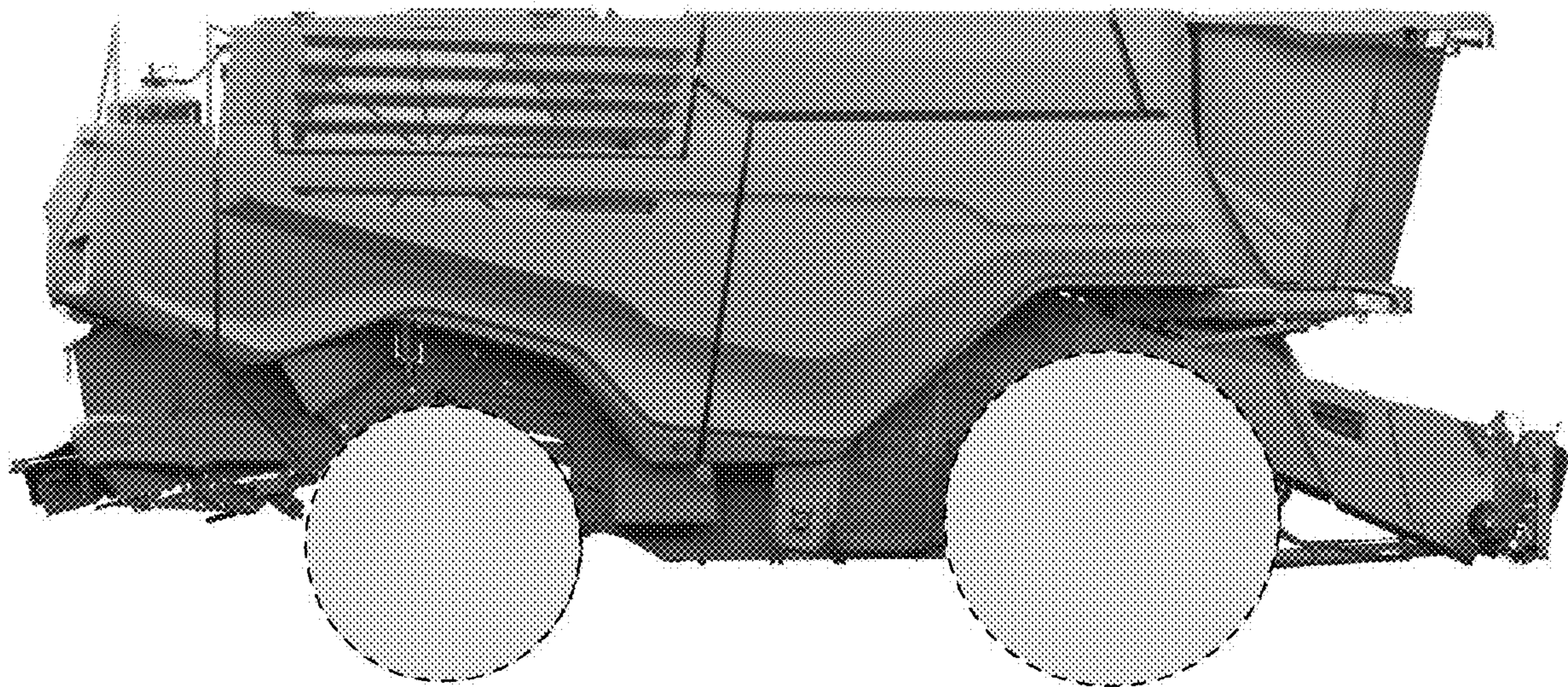


FIG. 11

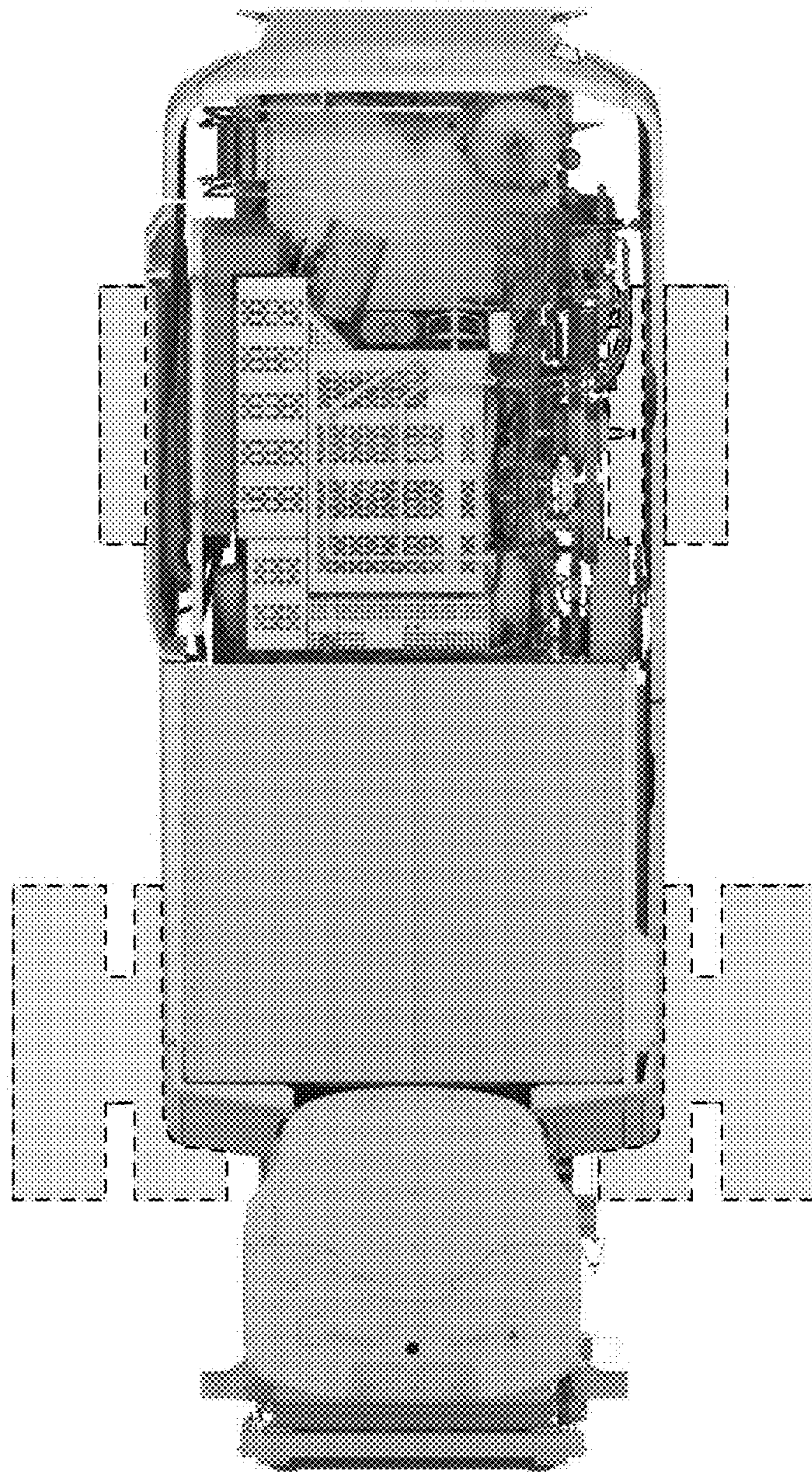


FIG. 12