



US00D978920S

(12) **United States Design Patent**  
**Tompkin et al.**

(10) **Patent No.:** **US D978,920 S**

(45) **Date of Patent:** **\*\* Feb. 21, 2023**

(54) **AIR COMPRESSOR**

(71) Applicant: **MerchSource, LLC**, Irvine, CA (US)

(72) Inventors: **Crispian Tompkin**, Los Angeles, CA (US); **Daniel Levi Ballou**, Long Beach, CA (US)

(73) Assignee: **MerchSource, LLC**, Irvine, CA (US)

(\*\*) Term: **15 Years**

(21) Appl. No.: **29/775,007**

(22) Filed: **Mar. 19, 2021**

(51) **LOC (14) Cl.** ..... **15-02**

(52) **U.S. Cl.**  
USPC ..... **D15/9; D15/7**

(58) **Field of Classification Search**  
USPC ..... D15/7-9, 144.1; D14/139, 154, 155, D14/196, 209.1, 214, 221; D24/108, 110, D24/168, 170, 231, 232  
CPC ..... F04B 53/14; F04B 53/92; F04B 33/00; F04B 33/005; F04B 1/005; F04B 39/102; F04D 13/06; F04D 29/22; F04D 29/046; F04D 29/2266  
See application file for complete search history.

(56) **References Cited**

**U.S. PATENT DOCUMENTS**

D264,962 S *	6/1982	Fellmann	.....	D13/110
D483,326 S *	12/2003	Krieger	.....	D13/107
D506,724 S *	6/2005	Hriscu	.....	D13/107
D511,491 S *	11/2005	Hriscu	.....	D13/107
D530,271 S *	10/2006	Hriscu	.....	D13/107
D538,739 S *	3/2007	Zheng	.....	D13/107
D633,037 S *	2/2011	Tschopp	.....	D13/107
D635,090 S *	3/2011	DuMelle	.....	D13/107
D653,203 S *	1/2012	DuMelle	.....	D13/107
D687,010 S *	7/2013	McManigal	.....	D14/188
D741,795 S *	10/2015	Conrad	.....	D14/188
D754,093 S *	4/2016	Cho	.....	D14/188

D874,398 S *	2/2020	Sun	.....	D13/107
D928,736 S *	8/2021	Weng	.....	D14/214
D932,431 S *	10/2021	Liu	.....	D13/110

**OTHER PUBLICATIONS**

Shaper Image, DC 12V Car Air Compressor With Built-in LED Light, (first available May 5, 2021) Amazon.com, URL:<<https://www.amazon.com/dp/B0947HH5GL>> (Year: 2021).\*

\* cited by examiner

*Primary Examiner* — Calvin E Vansant

*Assistant Examiner* — Mark T. Philipps

(74) *Attorney, Agent, or Firm* — Avyno Law P.C.

(57) **CLAIM**

We claim the ornamental design for an air compressor, as shown and described.

**DESCRIPTION**

FIG. 1 is a top, front perspective view of an air compressor of the present invention.

FIG. 2 is a bottom, rear perspective view of the air compressor of FIG. 1.

FIG. 3 is a left, side perspective view of the air compressor of FIG. 1.

FIG. 4 is a side elevation view of the left side of the air compressor of FIG. 1.

FIG. 5 is a side elevation view of the right side of the air compressor of FIG. 1.

FIG. 6 is a front elevation view of the air compressor of FIG. 1.

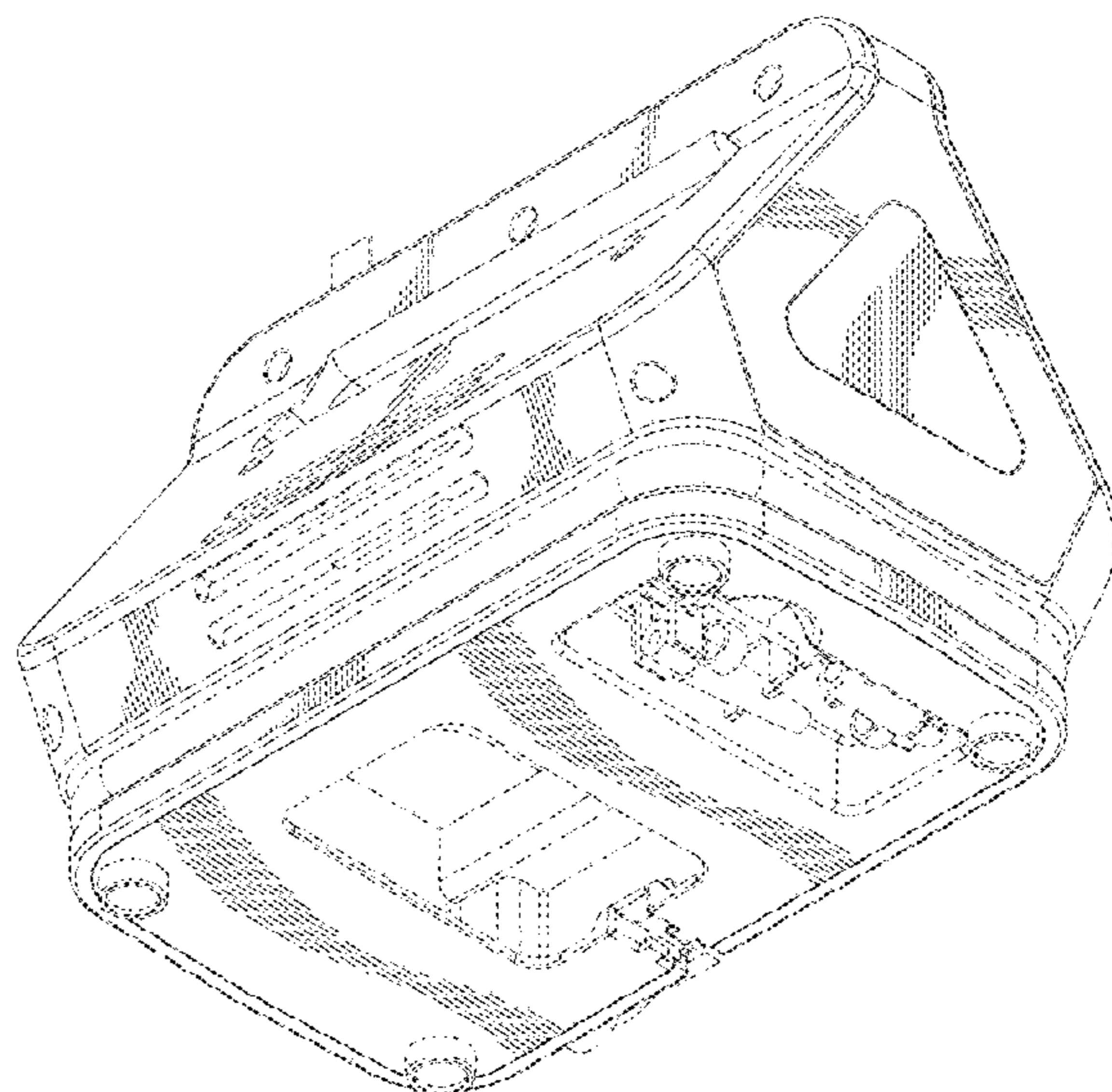
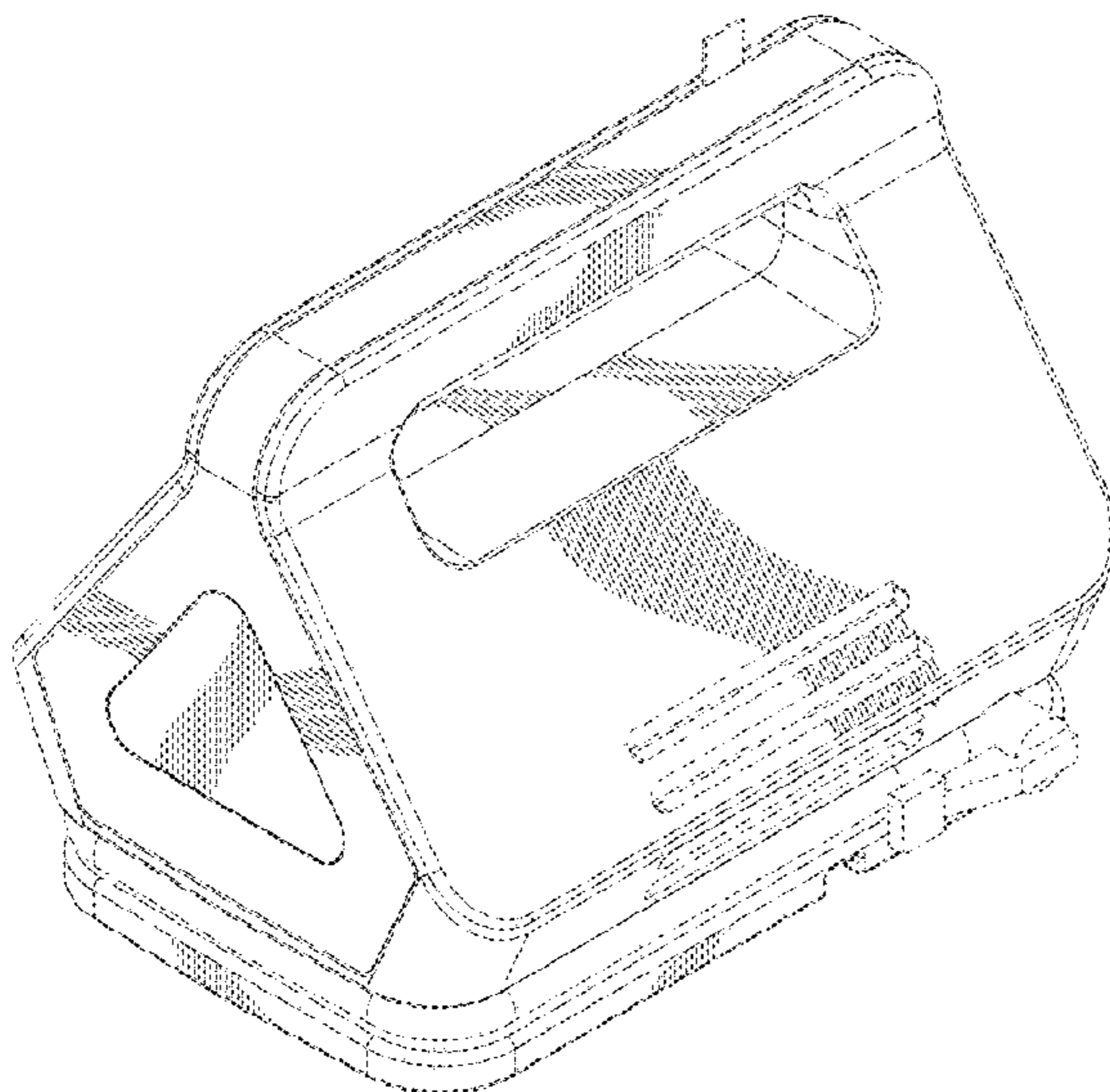
FIG. 7 is a rear elevation view of the air compressor of FIG. 1.

FIG. 8 is a top plan view of the air compressor of FIG. 1; and,

FIG. 9 is a bottom plan view of the air compressor of FIG. 1.

In the drawings, the broken lines depict portions of the air compressor that form no part of the claimed design.

**1 Claim, 8 Drawing Sheets**



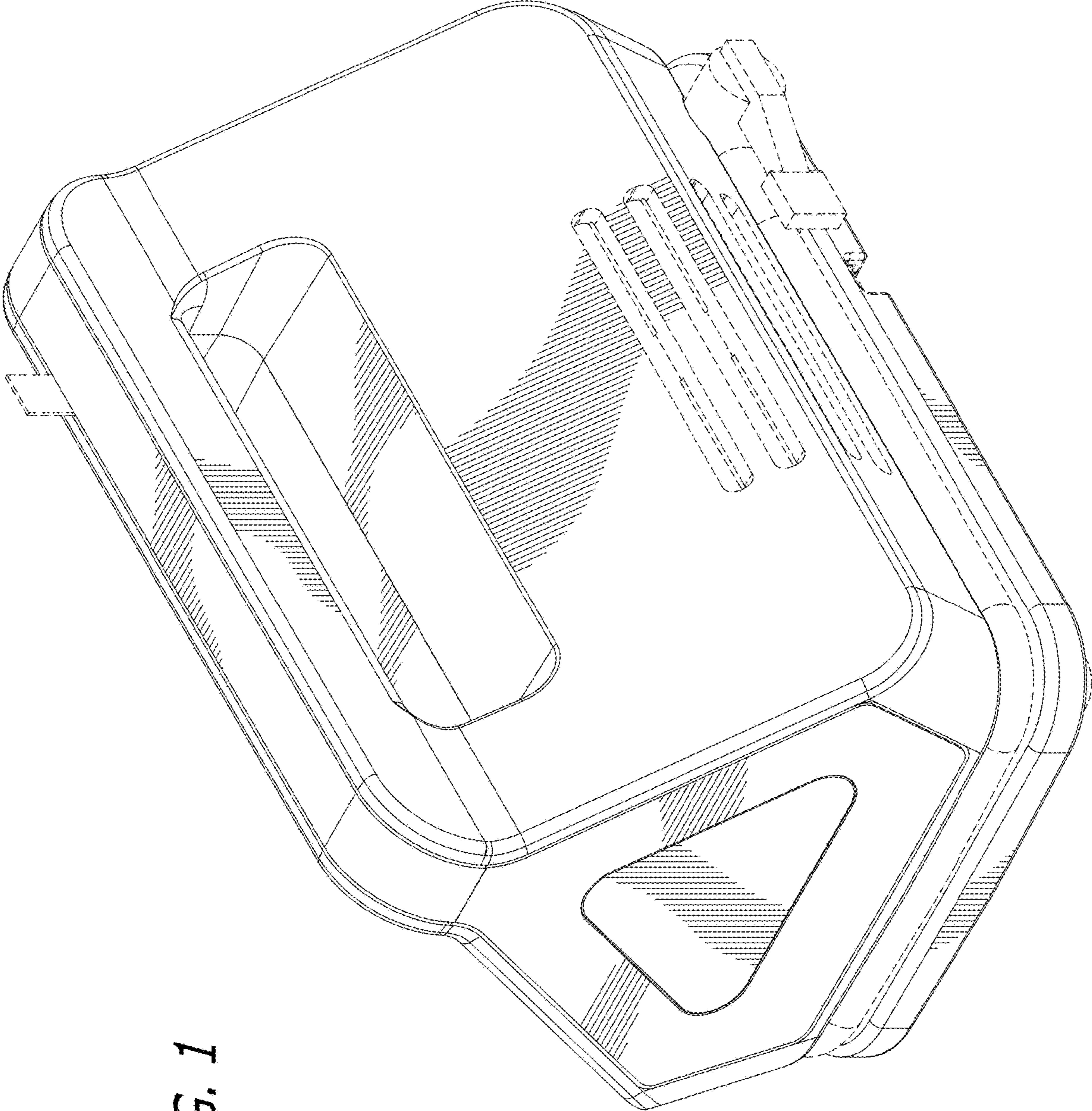


FIG. 1

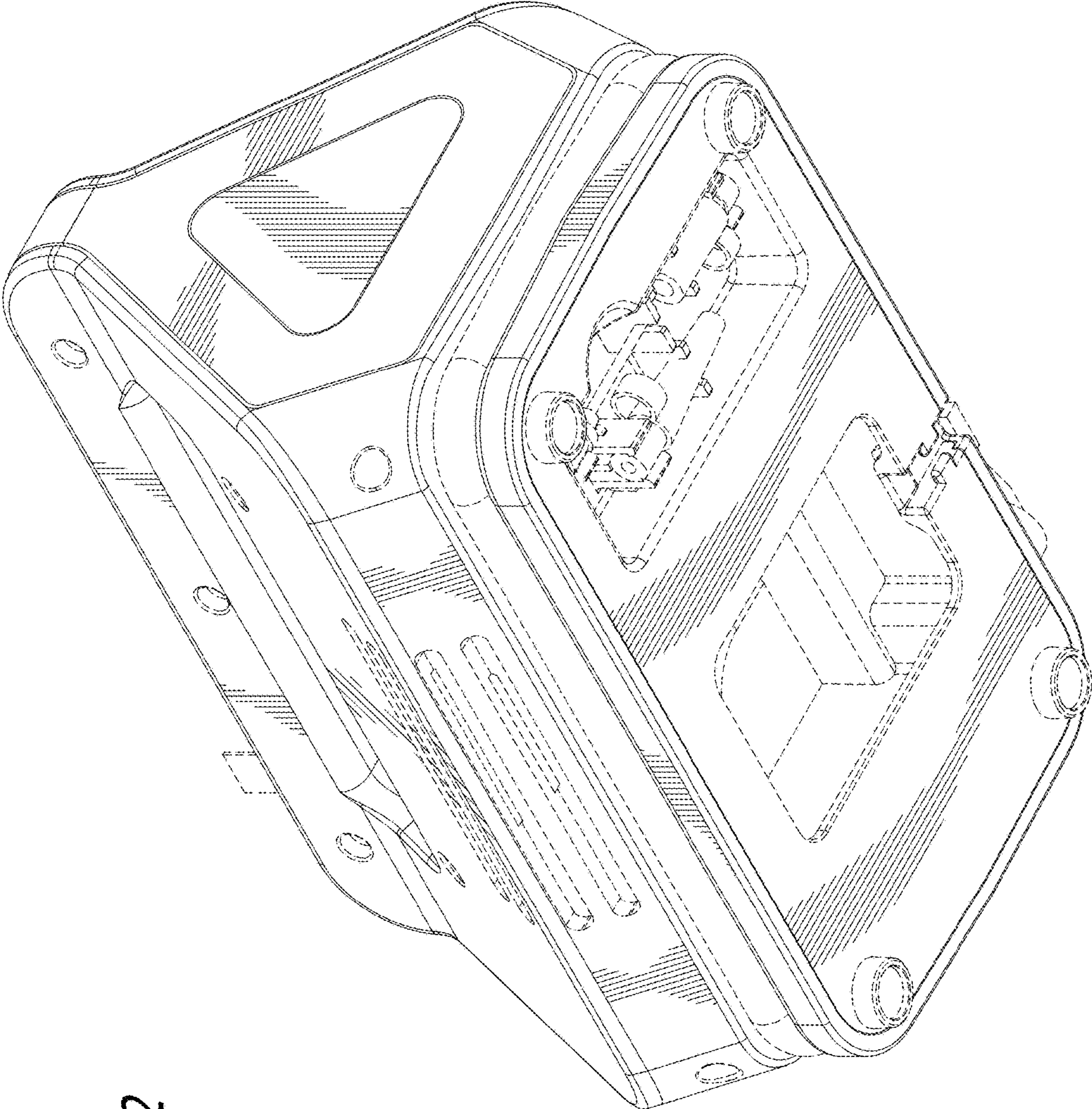


FIG. 2

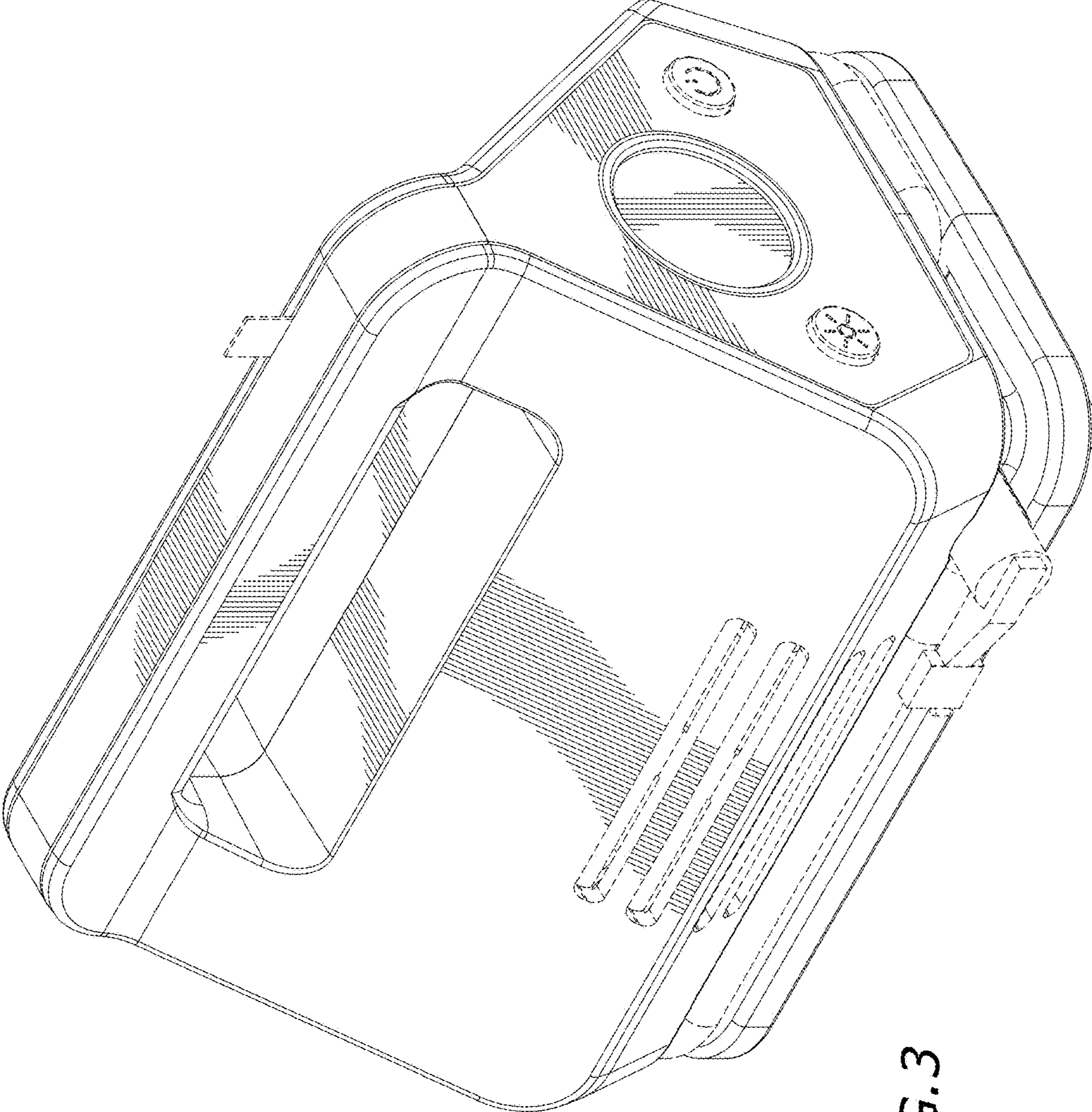


FIG. 3

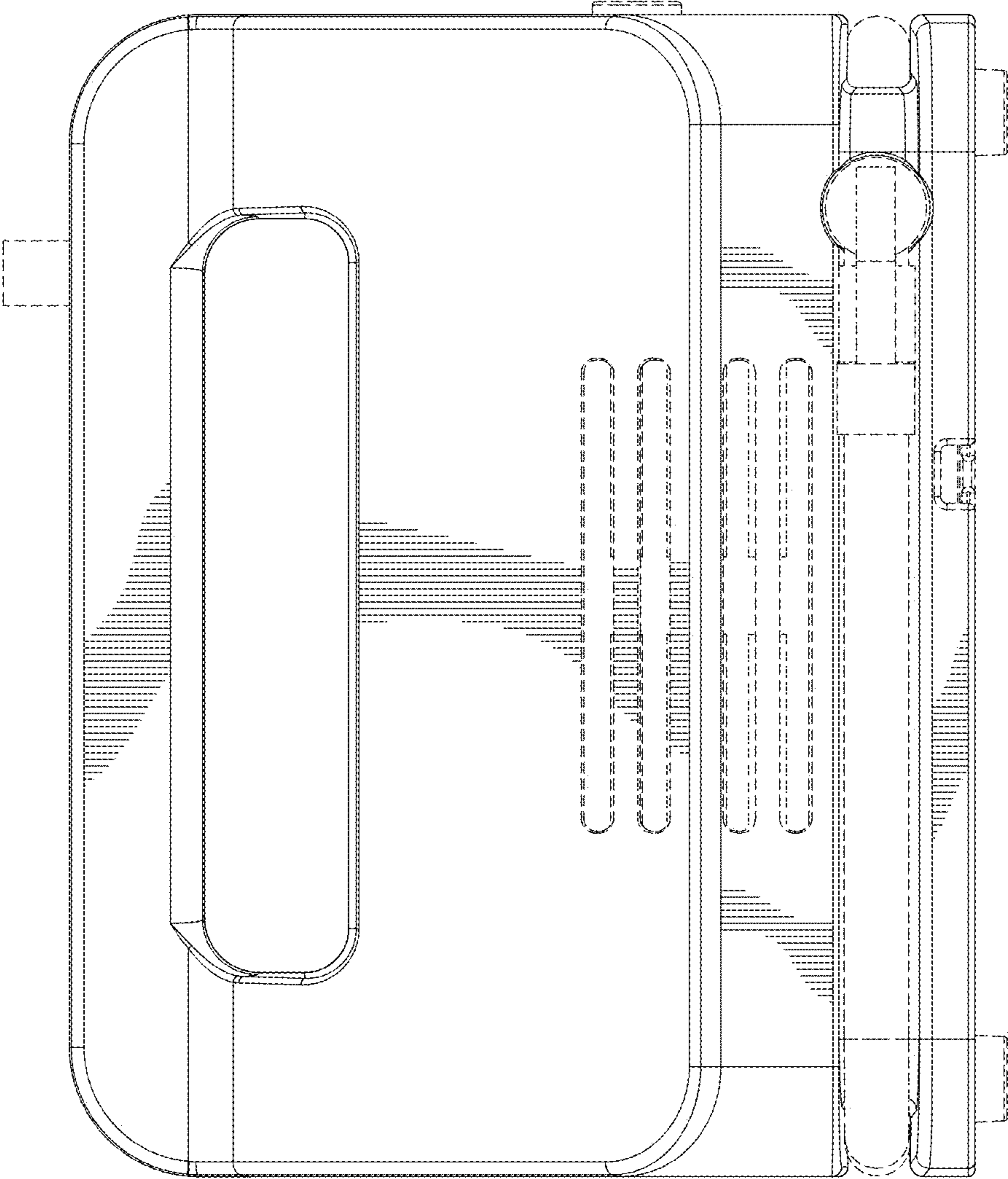


FIG. 4

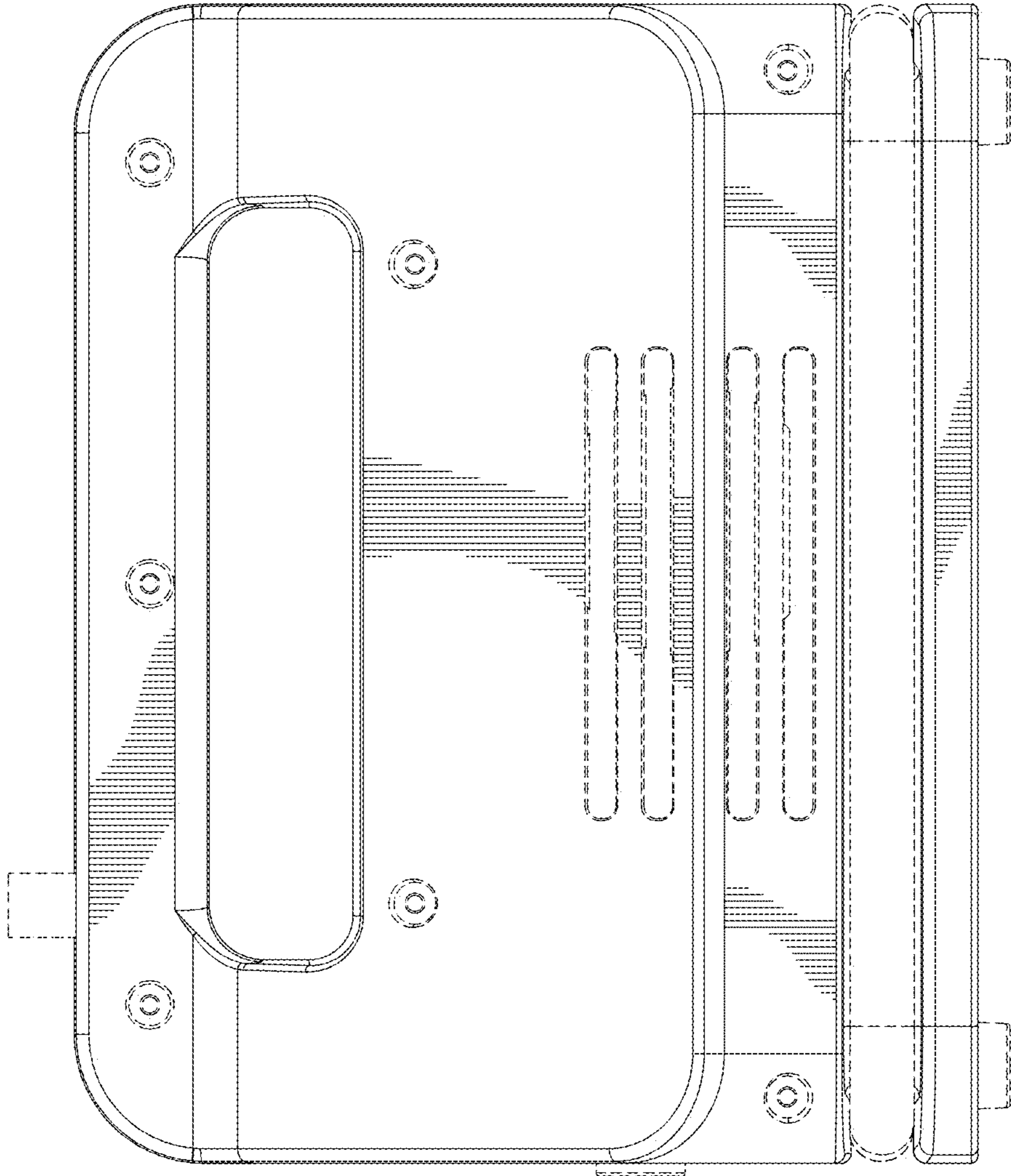
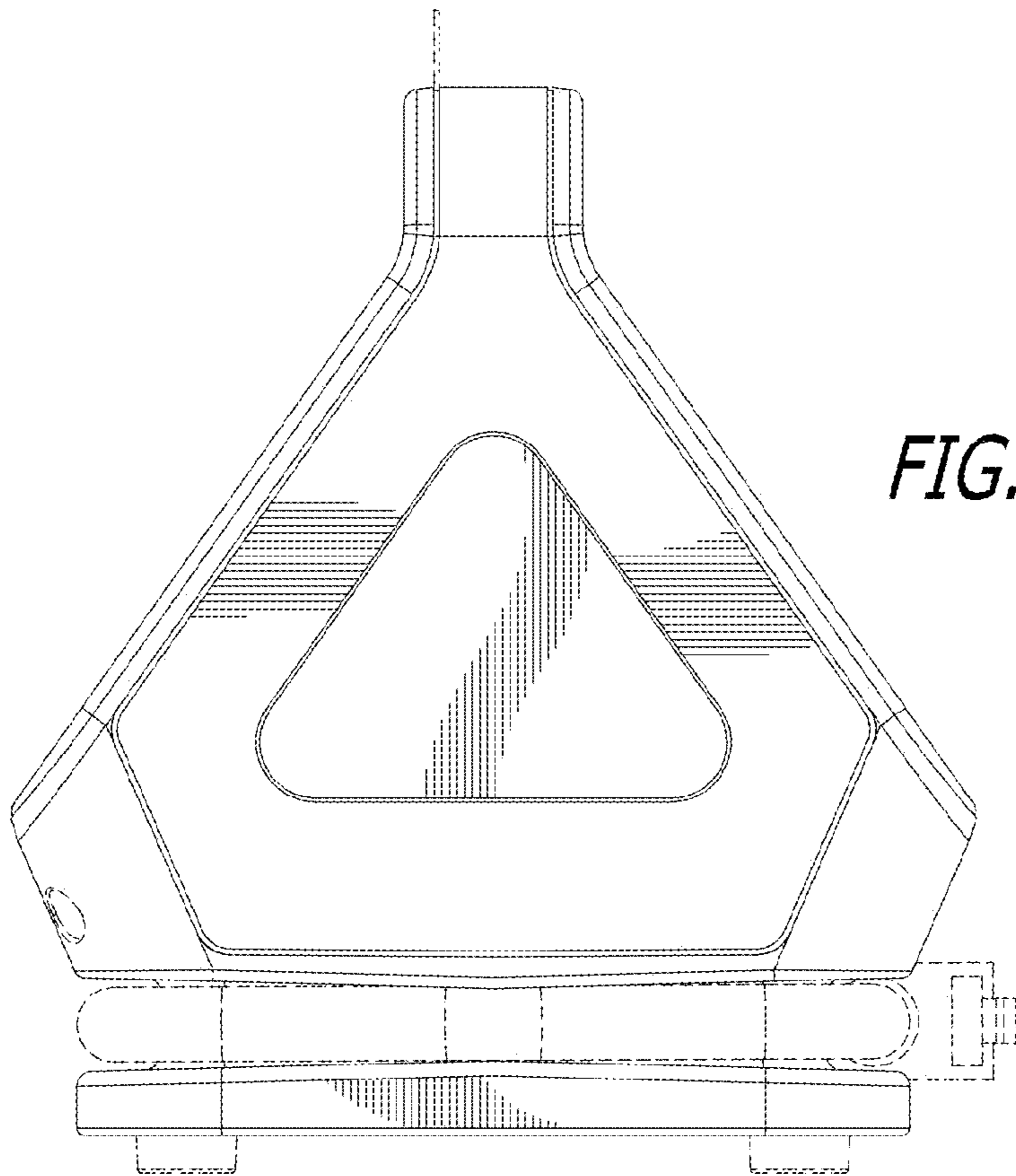
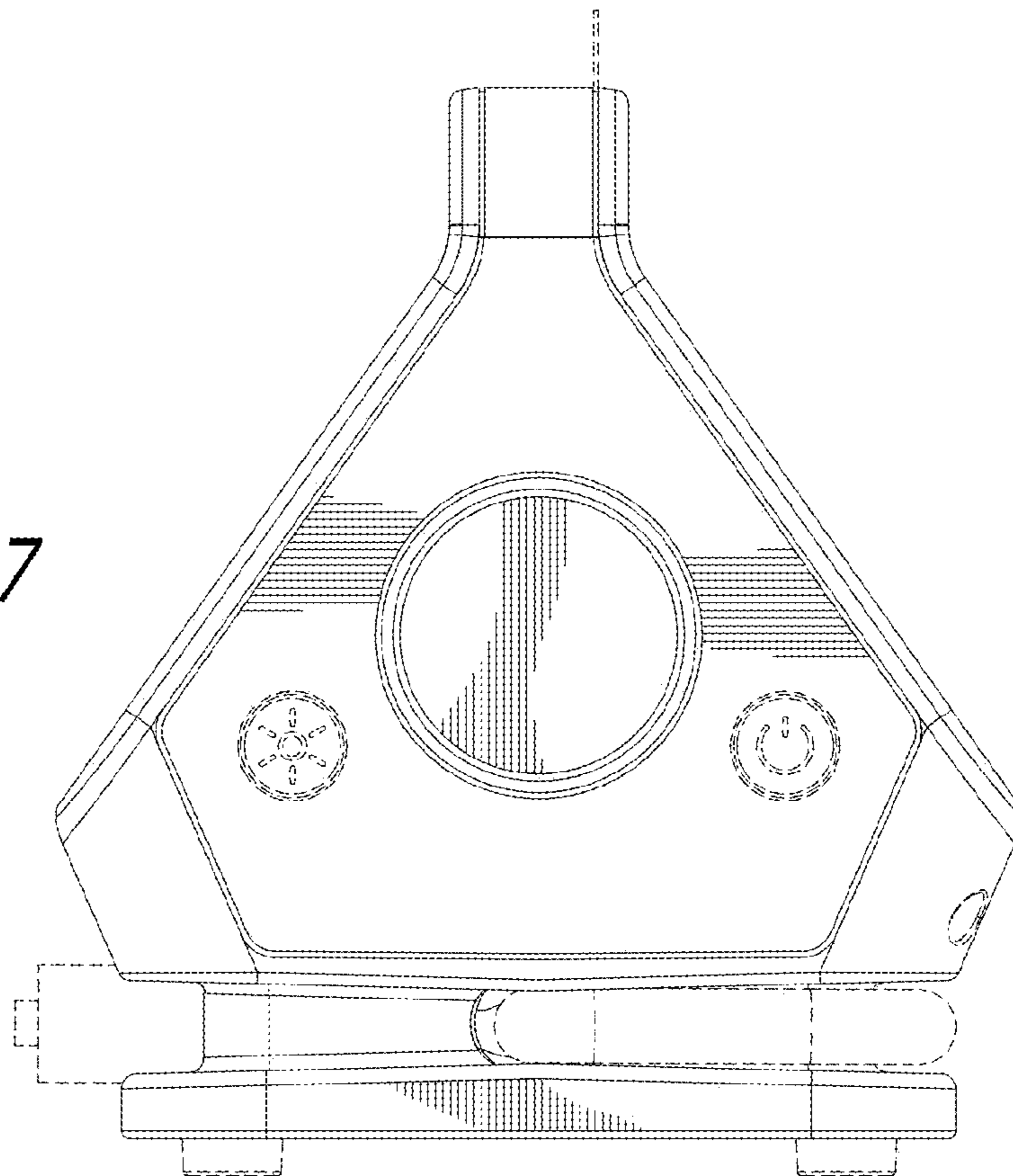


FIG. 5



*FIG. 6*

*FIG. 7*



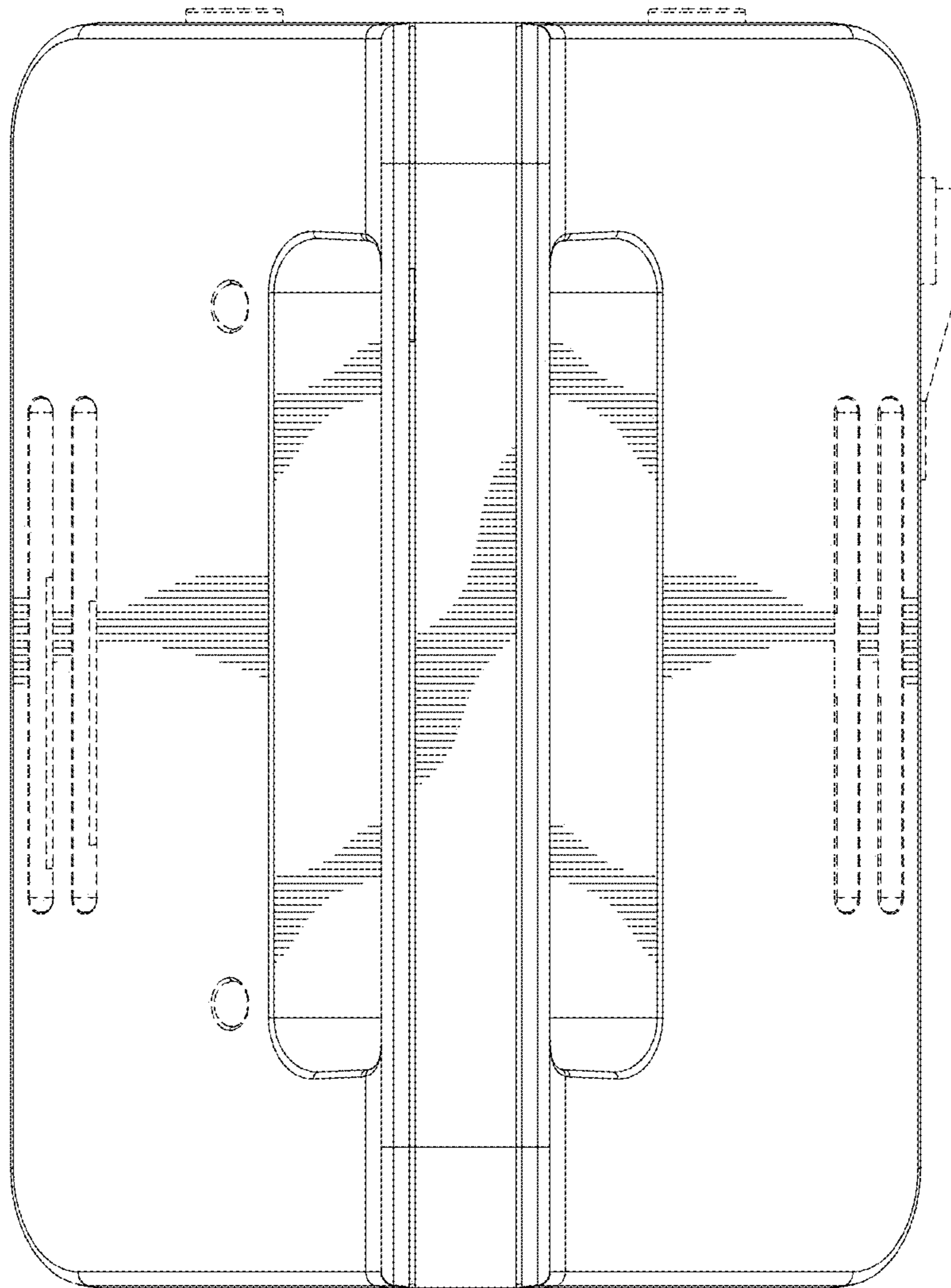


FIG. 8



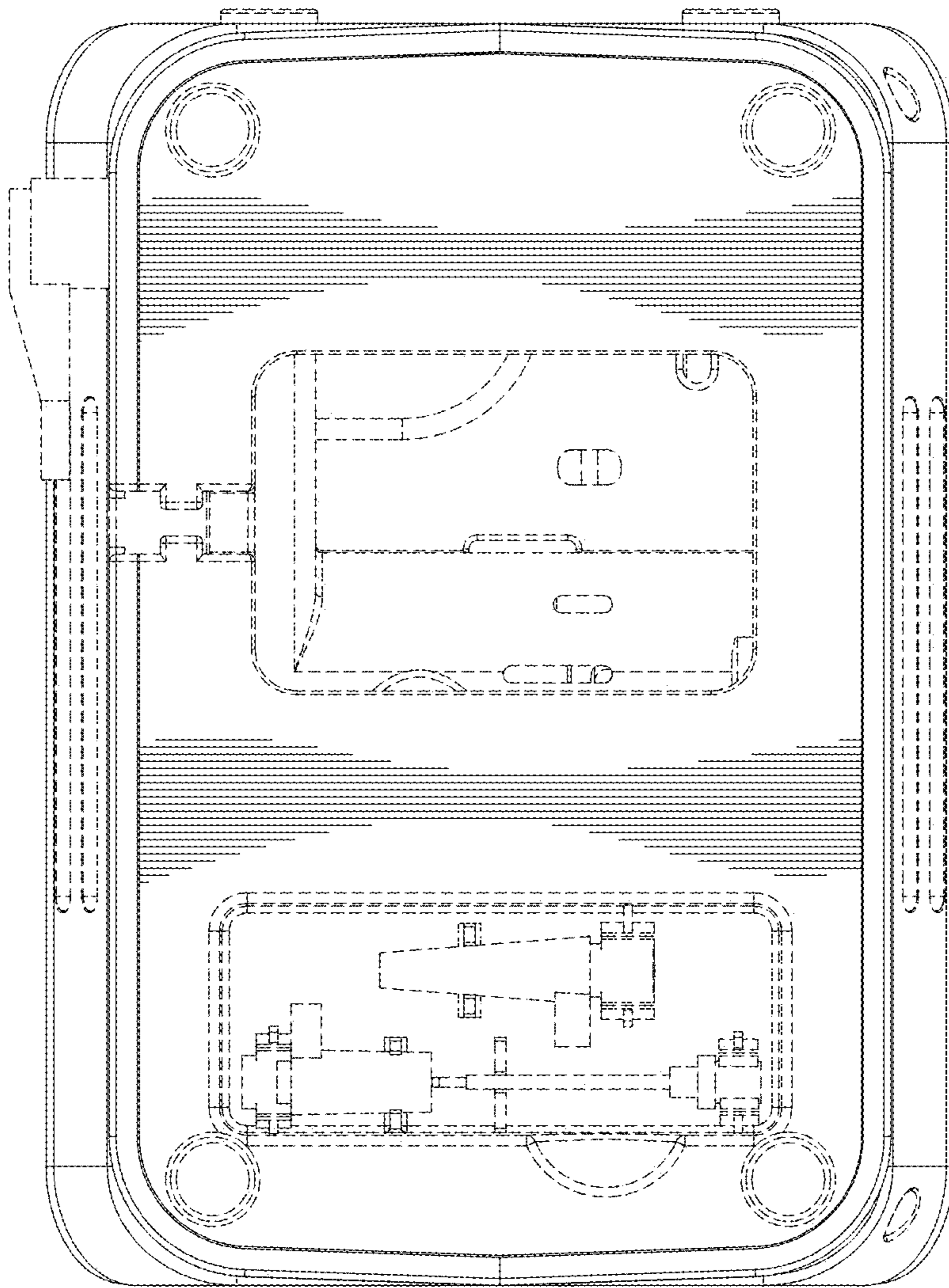


FIG. 9