



US00D978919S

(12) **United States Design Patent**  
**Jeong**

(10) **Patent No.:** **US D978,919 S**

(45) **Date of Patent:** **\*\* Feb. 21, 2023**

(54) **IMPELLER FOR PUMP**

(71) Applicant: **SCD CO., LTD.**, Yongin-si (KR)

(72) Inventor: **Jung Hee Jeong**, Osani-si (KR)

(\*\*) Term: **15 Years**

(21) Appl. No.: **35/514,373**

(22) Filed: **May 11, 2022**

(80) **Hague Agreement Data**

Int. Filing Date: **May 11, 2022**

Int. Reg. No.: **DM/220859**

Int. Reg. Date: **May 11, 2022**

Int. Reg. Pub. Date: **May 27, 2022**

(30) **Foreign Application Priority Data**

Nov. 18, 2021 (KR) ..... 30-2021-0055129

(51) **LOC (14) Cl.** ..... **15-02**

(52) **U.S. Cl.**  
USPC ..... **D15/7**

(58) **Field of Classification Search**

USPC ..... D13/118, 179; D15/7-9, 126, 147;  
D23/338, 379, 411, 413, 414; D7/376,  
D7/377; D24/111

CPC ..... F04D 9/00; F04D 9/02; F04D 7/00; F04D  
7/02; F04D 7/04; F04D 7/06; F04D 5/00;  
F04D 3/00; F04D 3/02; F04D 29/04;  
F04D 29/18; F04D 29/22; F04D 29/24;  
F04D 29/62; F04D 29/66

See application file for complete search history.

(56) **References Cited**

**U.S. PATENT DOCUMENTS**

7,329,085 B2 \* 2/2008 Walker ..... F04D 29/2266  
415/173.1

D583,391 S \* 12/2008 Metcalfe ..... D15/7

D586,826 S \* 2/2009 Cantrill ..... D15/7  
D810,787 S \* 2/2018 Cinotti ..... D15/7  
D828,400 S \* 9/2018 Cinotti ..... D15/7  
D868,117 S \* 11/2019 Mayleben ..... D15/7  
10,473,103 B2 \* 11/2019 Keeran ..... F04D 7/045  
D921,872 S \* 6/2021 Oh ..... D13/179  
D940,760 S \* 1/2022 Arribau ..... D15/7  
2011/0129344 A1 \* 6/2011 Burgess ..... F04D 29/2288  
416/182  
2018/0142696 A1 \* 5/2018 Le Dore ..... F04D 29/2205

\* cited by examiner

*Primary Examiner* — Calvin E Vansant

*Assistant Examiner* — Mark T. Philipps

(57) **CLAIM**

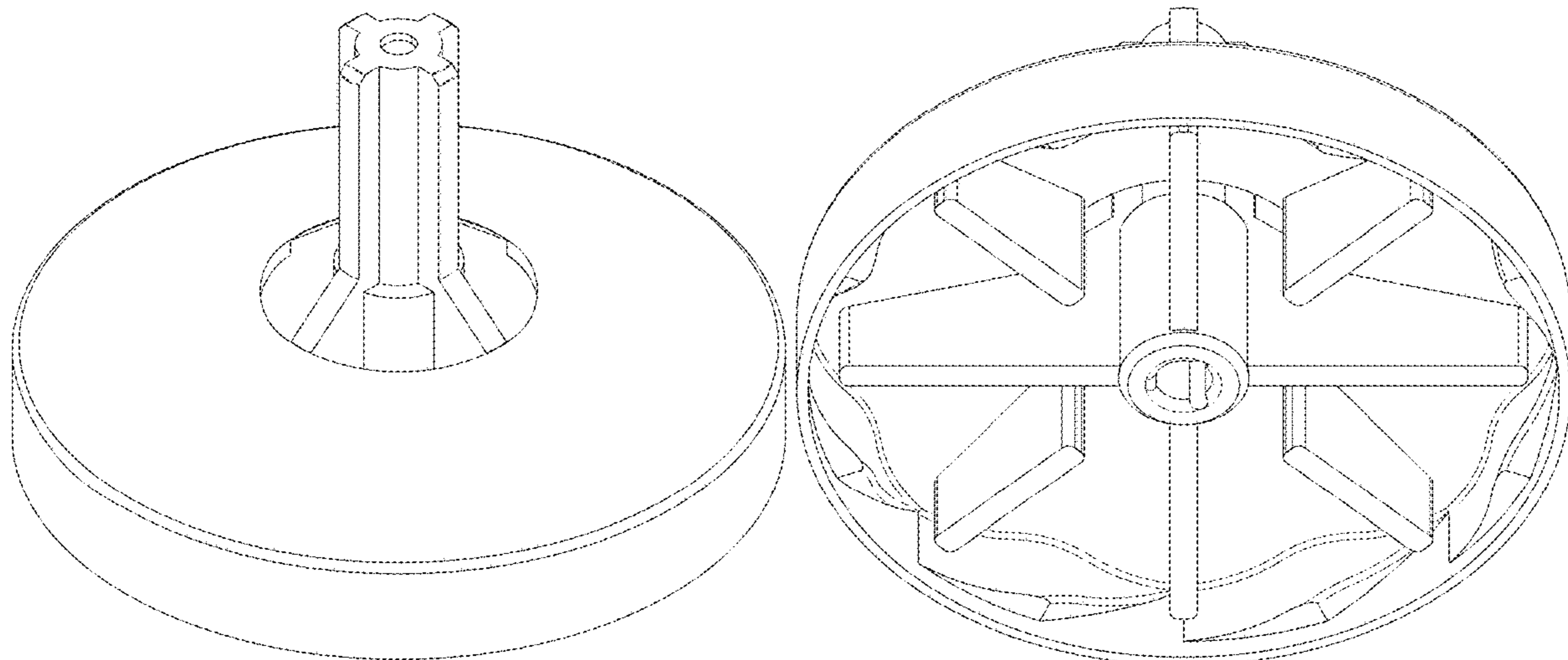
The ornamental design for an impeller for pump, as shown and described.

**DESCRIPTION**

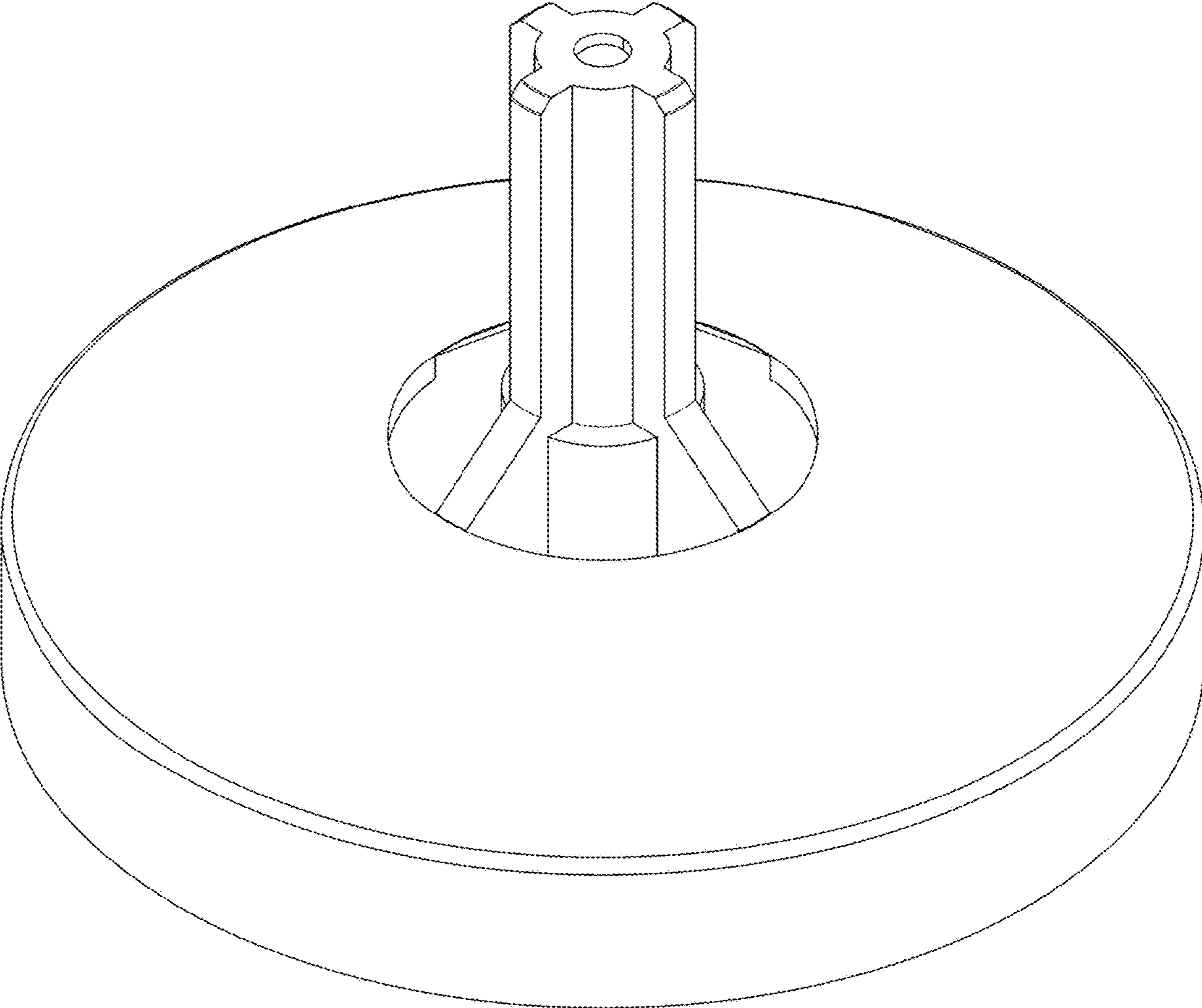
- 1. Impeller for pump
- 1.1 : Perspective
- 1.2 : Front
- 1.3 : Back
- 1.4 : Left
- 1.5 : Right
- 1.6 : Top
- 1.7 : Bottom
- 1.8 : Perspective view from the bottom
- 1.9 : Perspective view from the bottom
- 1.10 : Perspective view from the bottom

This design relates to an impeller for pump that can be used in combination with a drain motor used in a drain pump; fig. 1.1 is a perspective view of an impeller for pump showing our new design; fig. 1.2 is a front view thereof; fig. 1.3 is a back view thereof; fig. 1.4 is a left view thereof; fig. 1.5 is a right view thereof; fig. 1.6 is a top view thereof; fig. 1.7 is a bottom view thereof; and fig. 1.8, 1.9, 1.10 are perspective views from the bottom thereof.

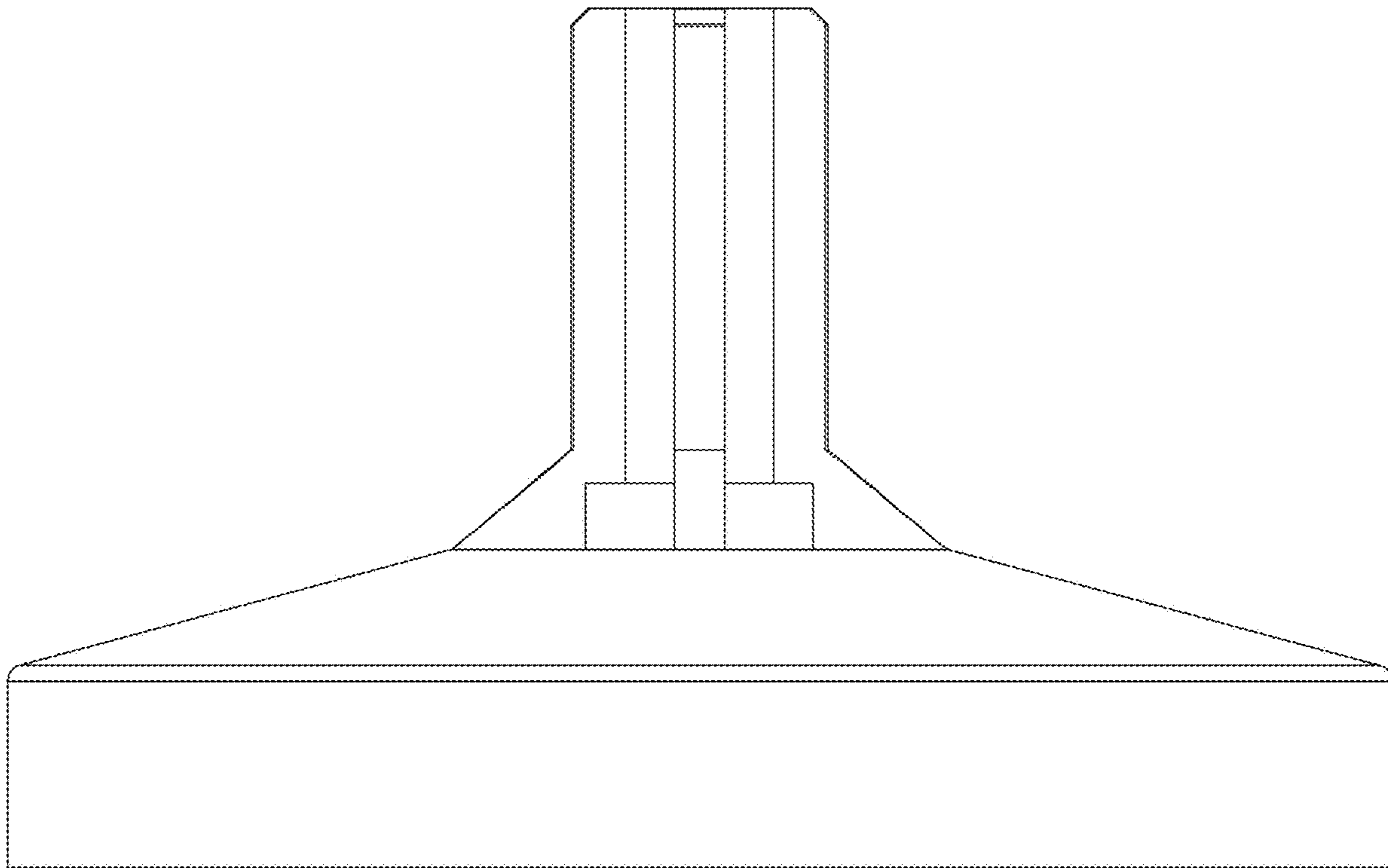
**1 Claim, 10 Drawing Sheets**



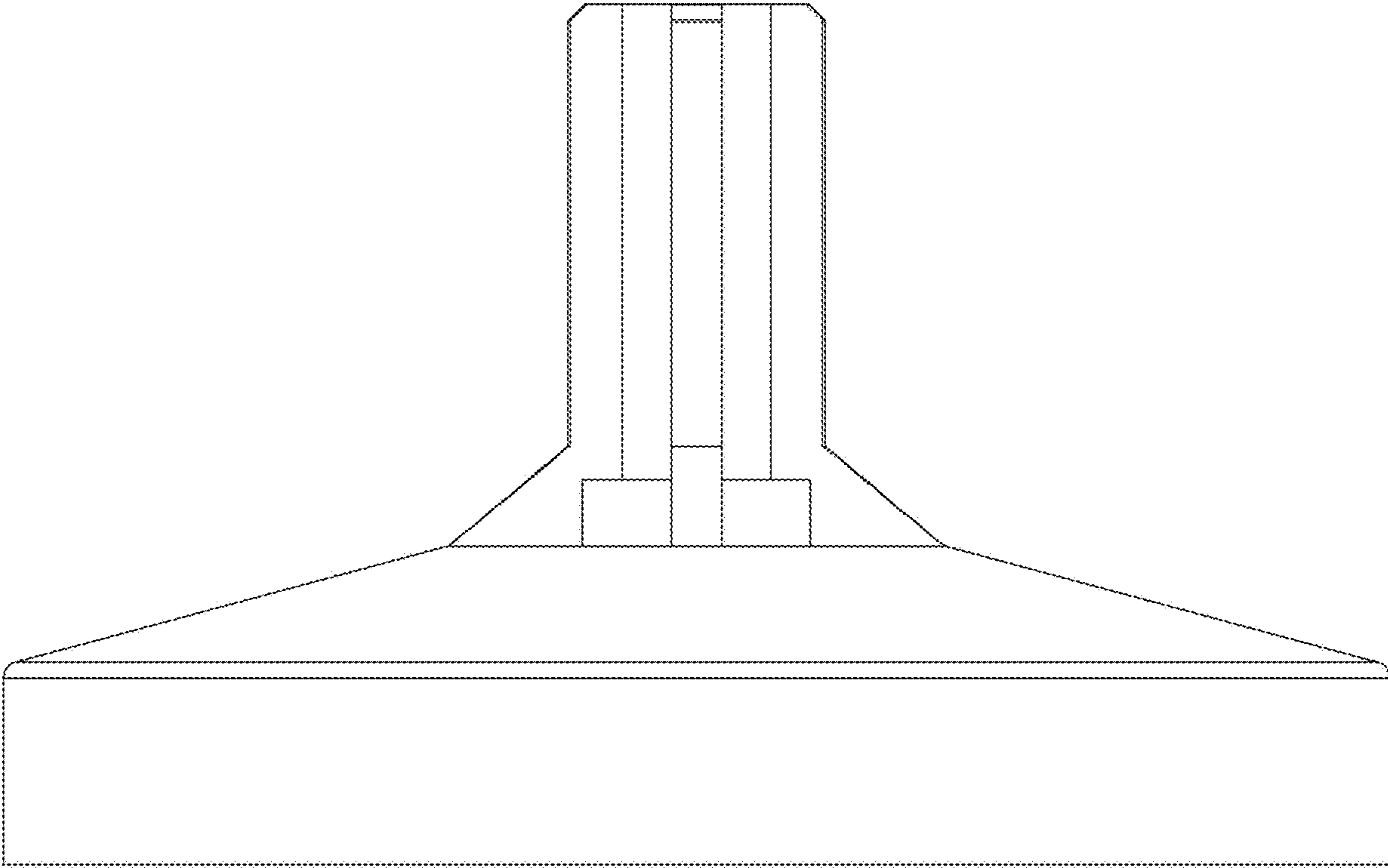
1.1



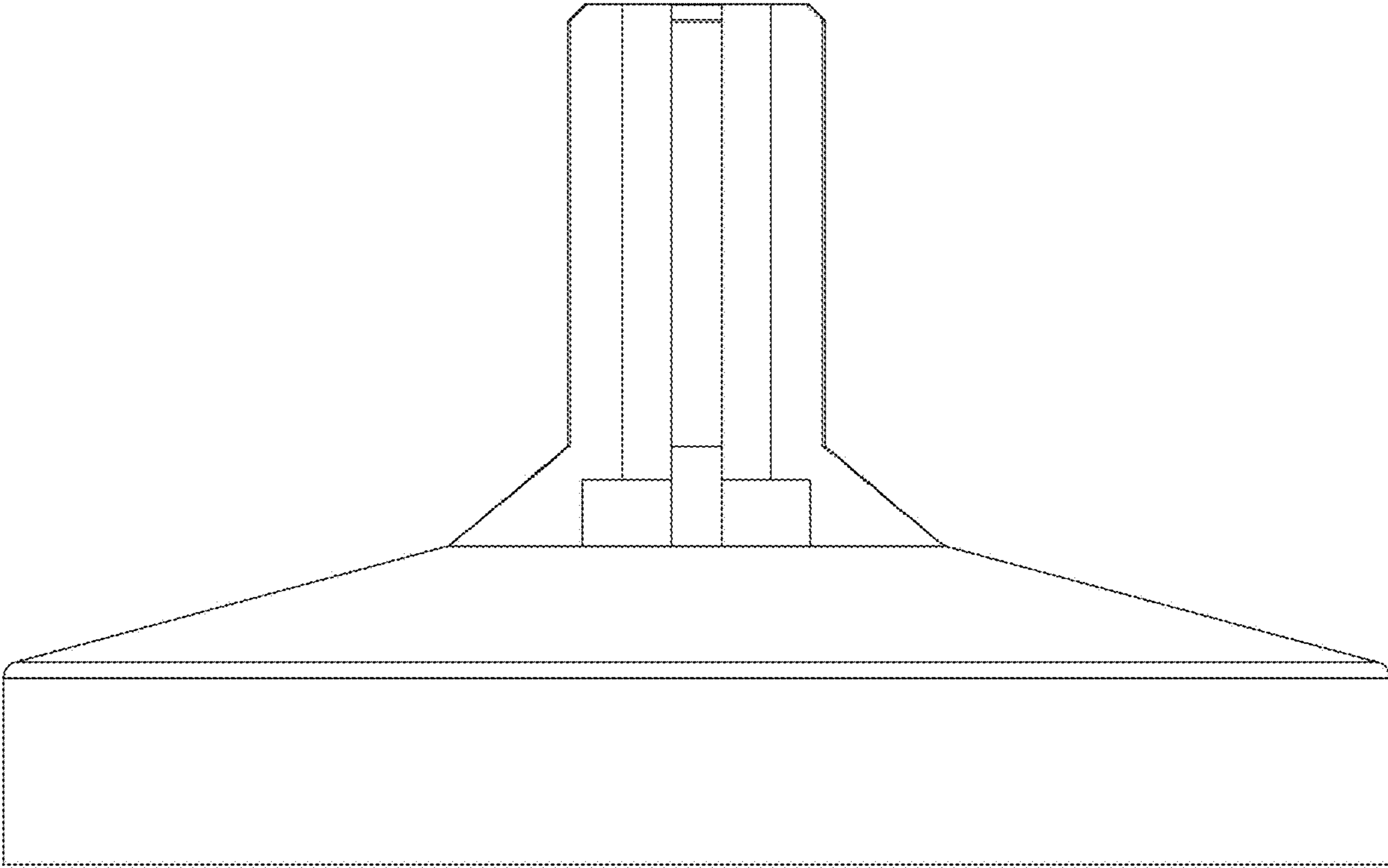
1.2



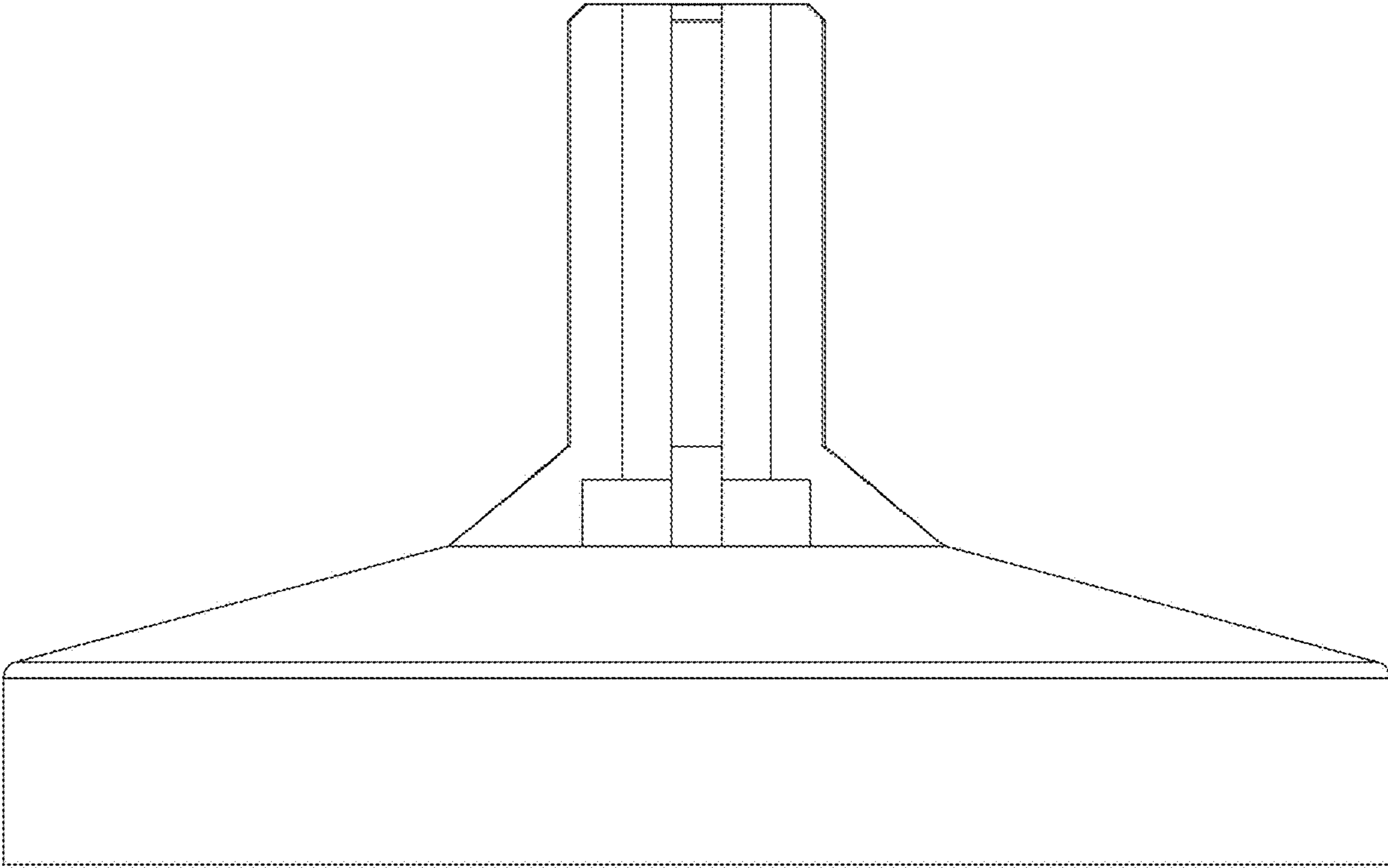
1.3



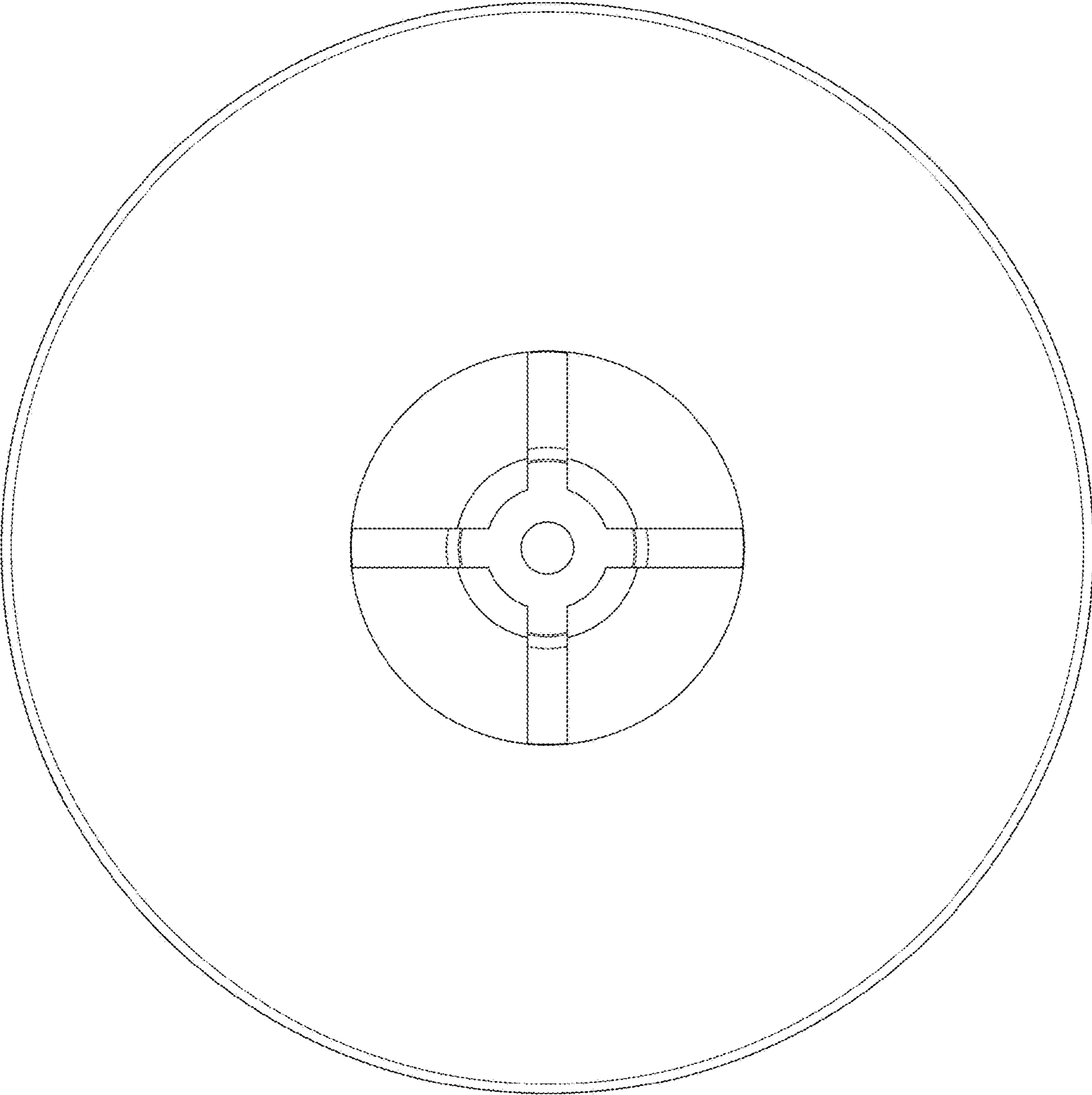
1.4



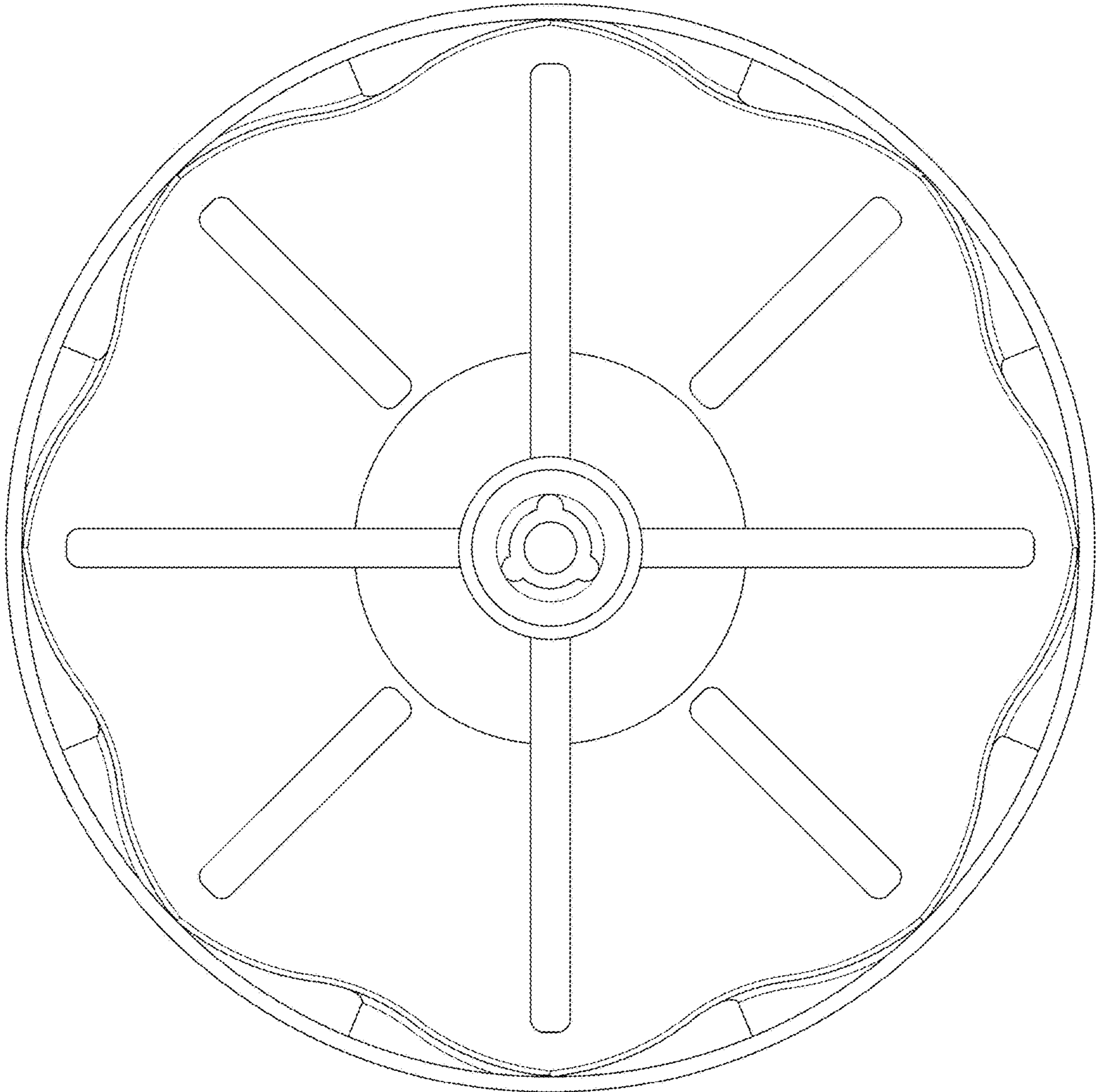
1.5



1.6

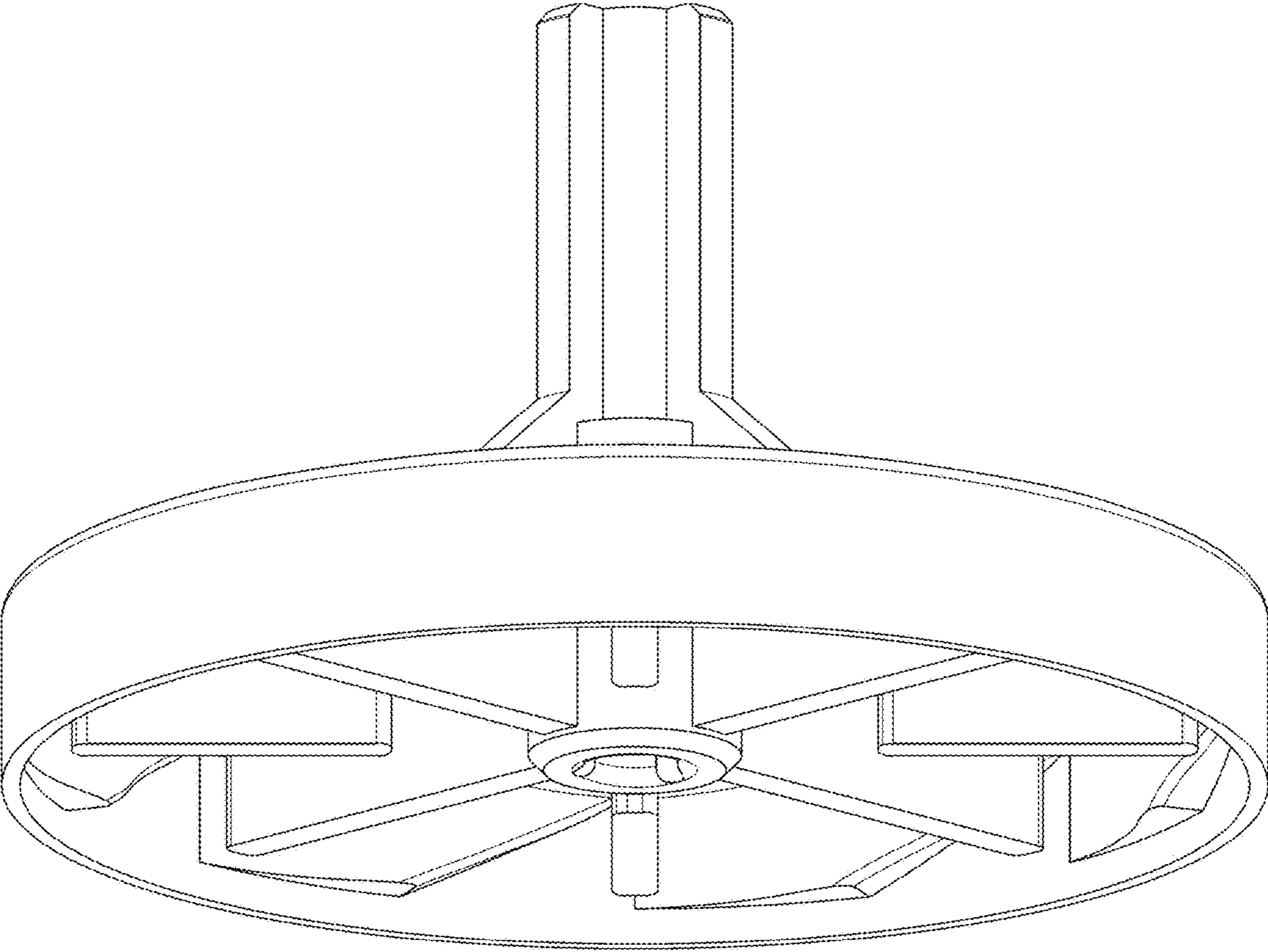


1.7

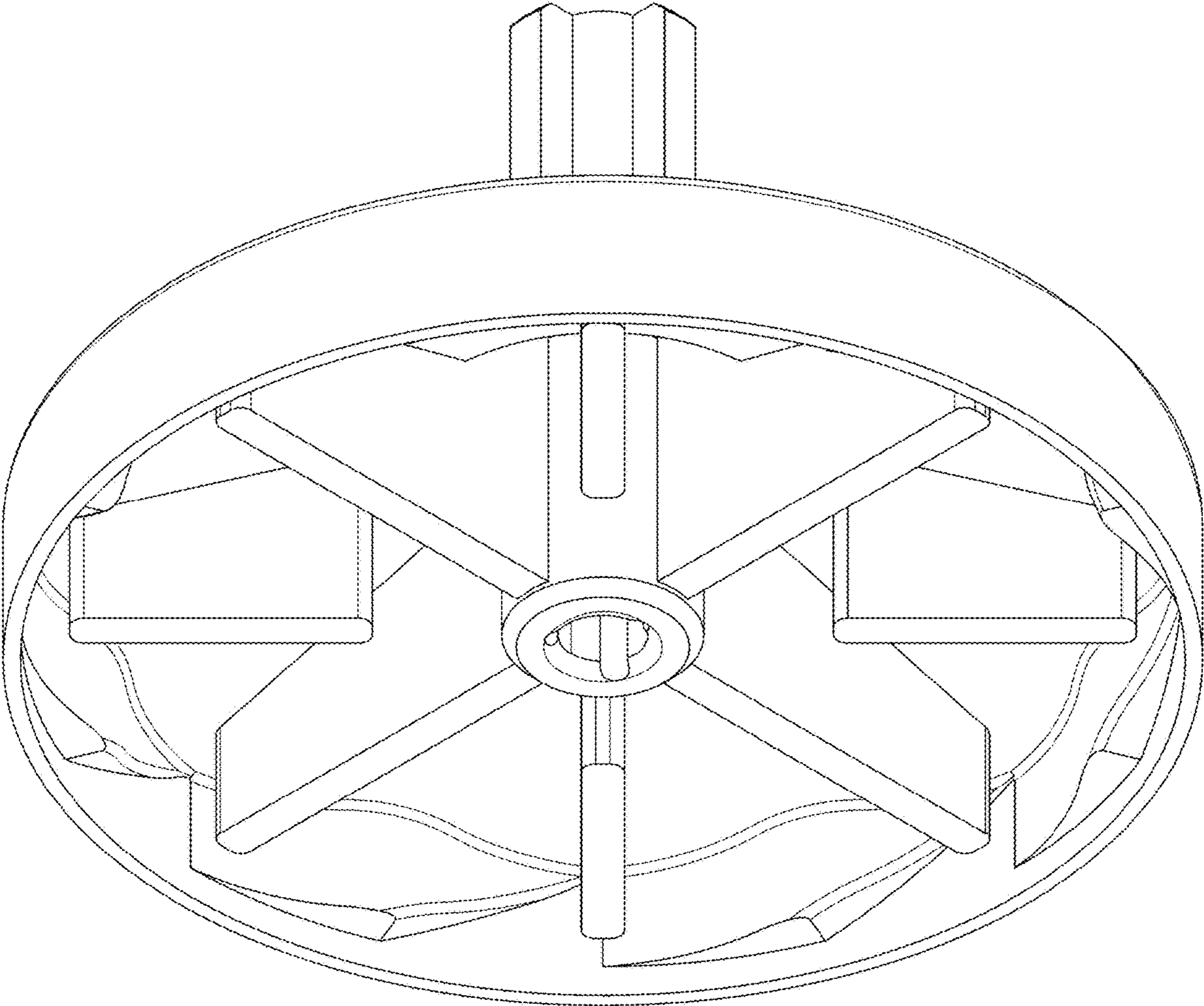




1.8



1.9



1.10

