



US00D978918S

(12) **United States Design Patent**
Jang

(10) **Patent No.:** **US D978,918 S**

(45) **Date of Patent:** **** Feb. 21, 2023**

(54) **AUTOMATED INFLATION PUMP FOR A PILLOW**

(71) Applicant: **TENMINDS co., ltd.**, Seoul (KR)

(72) Inventor: **Seung Woong Jang**, Seoul (KR)

(**) Term: **15 Years**

(21) Appl. No.: **29/758,878**

(22) Filed: **Nov. 19, 2020**

Related U.S. Application Data

(63) Continuation-in-part of application No. 35/507,844, filed on May 17, 2019 (U.S. filing date under 35 U.S.C. 384), and having an international filing date of May 17, 2019, now abandoned.

(51) **LOC (14) Cl.** **15-02**

(52) **U.S. Cl.**
USPC **D15/7; D15/8**

(58) **Field of Classification Search**
USPC D15/7, 8, 9; D24/111, 165, 169, 184;
D30/106; D12/14; D6/716.7
CPC B60C 29/068; F04B 35/04; F04B 49/00;
F04B 49/06
See application file for complete search history.

(56) **References Cited**

U.S. PATENT DOCUMENTS

D215,765 S * 10/1969 Levin D15/8
D247,436 S * 3/1978 Willinger D15/8

D383,928 S * 9/1997 Earleywine, Jr. D6/716.7
D482,370 S * 11/2003 Niwatsukino D15/7
D676,555 S * 2/2013 Angelides D24/169
D699,853 S * 2/2014 Confield D24/169
D709,183 S * 7/2014 Kemlein D24/111
D736,111 S * 8/2015 Klein D10/81
D739,941 S * 9/2015 Uozumi D24/165
D811,597 S * 2/2018 Verbrugge D24/165
D849,950 S * 5/2019 Nishiyama D24/165
D854,433 S * 7/2019 Vandebussche D10/70
D865,487 S * 11/2019 DeDios-Shirley D8/354

* cited by examiner

Primary Examiner — Nathaniel D. Buckner

(74) *Attorney, Agent, or Firm* — Antonio Ha; U.S. Patent, LLC

(57) **CLAIM**

The ornamental design for an automated inflation pump for a pillow, as shown and described.

DESCRIPTION

FIG. 1 is a top, front, and left side perspective view of the design;
FIG. 2 is a front elevational view thereof;
FIG. 3 is a back elevational view thereof;
FIG. 4 is a left side elevational view thereof;
FIG. 5 is a right side elevational view thereof;
FIG. 6 is a top plan view thereof; and,
FIG. 7 is a bottom plan view thereof.
The broken lines shown in the drawings depict portions of the automated inflation pump for a pillow which form no part of the claimed design.

1 Claim, 7 Drawing Sheets

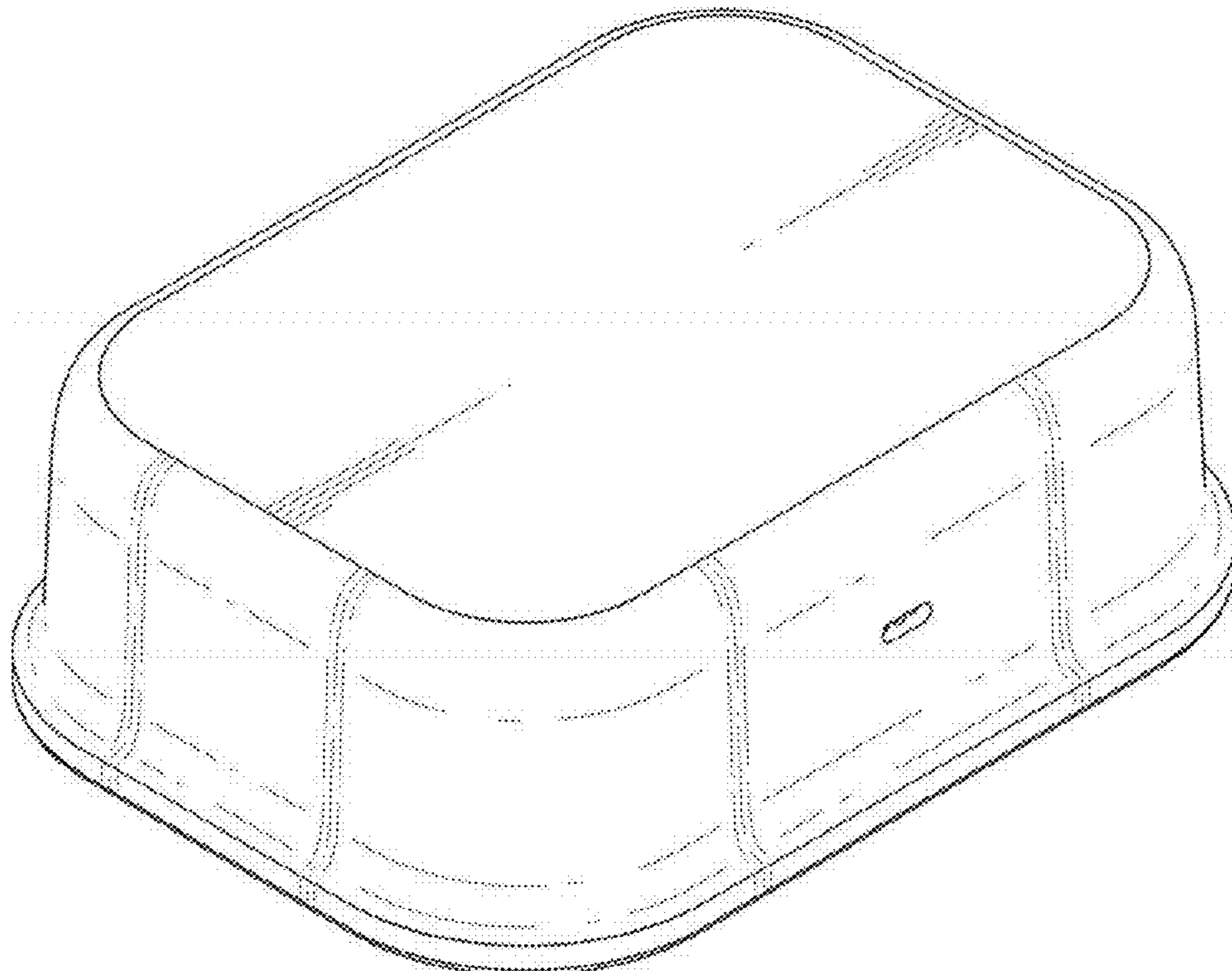


Fig. 1

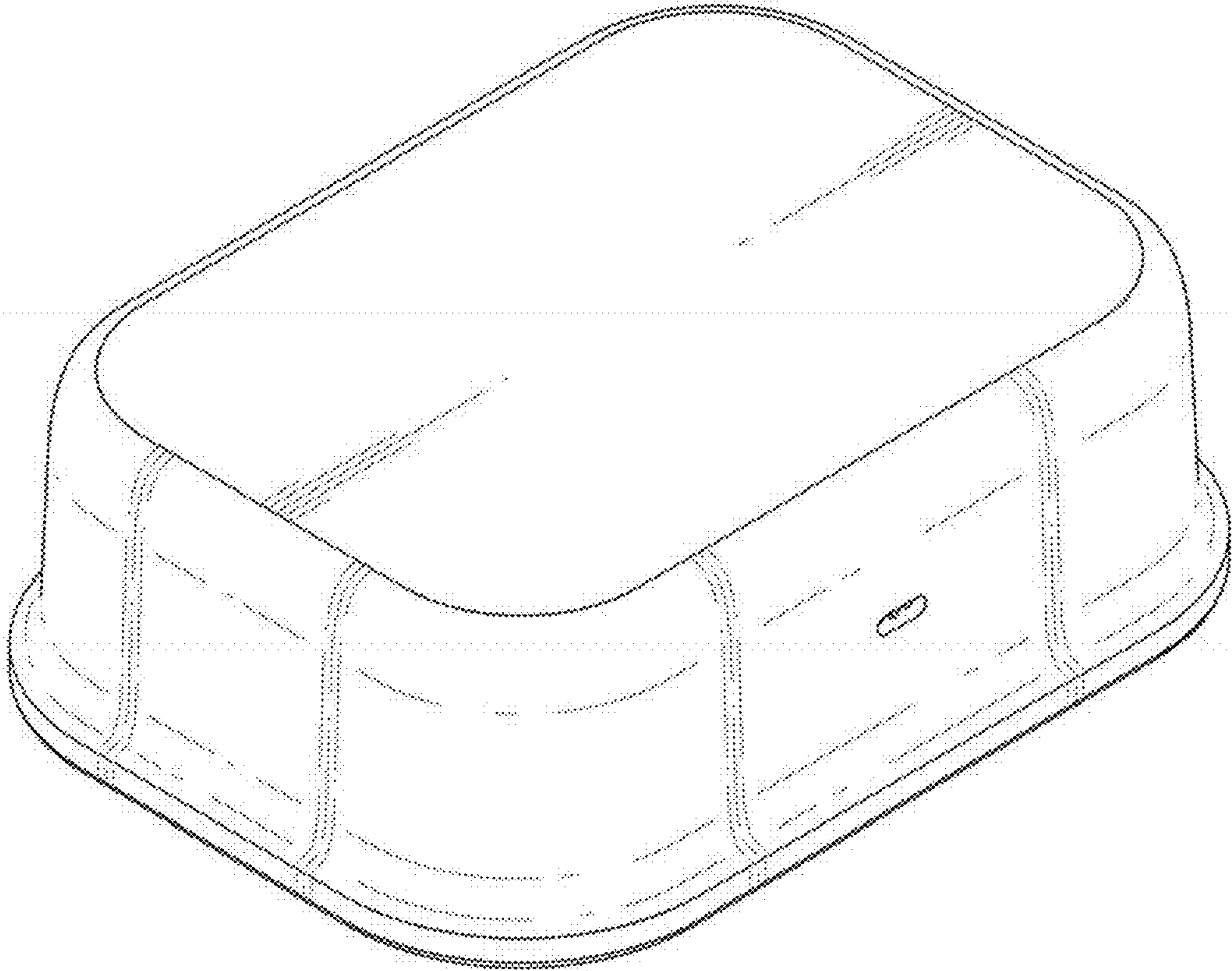


Fig. 2

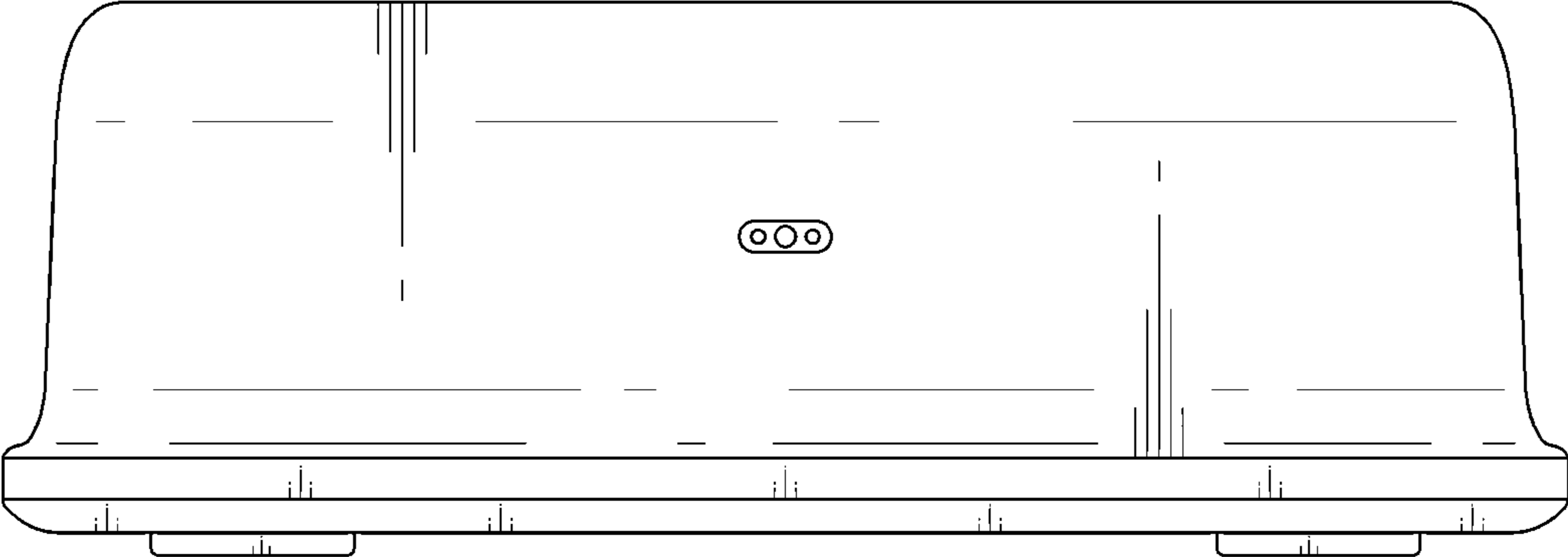


Fig. 3

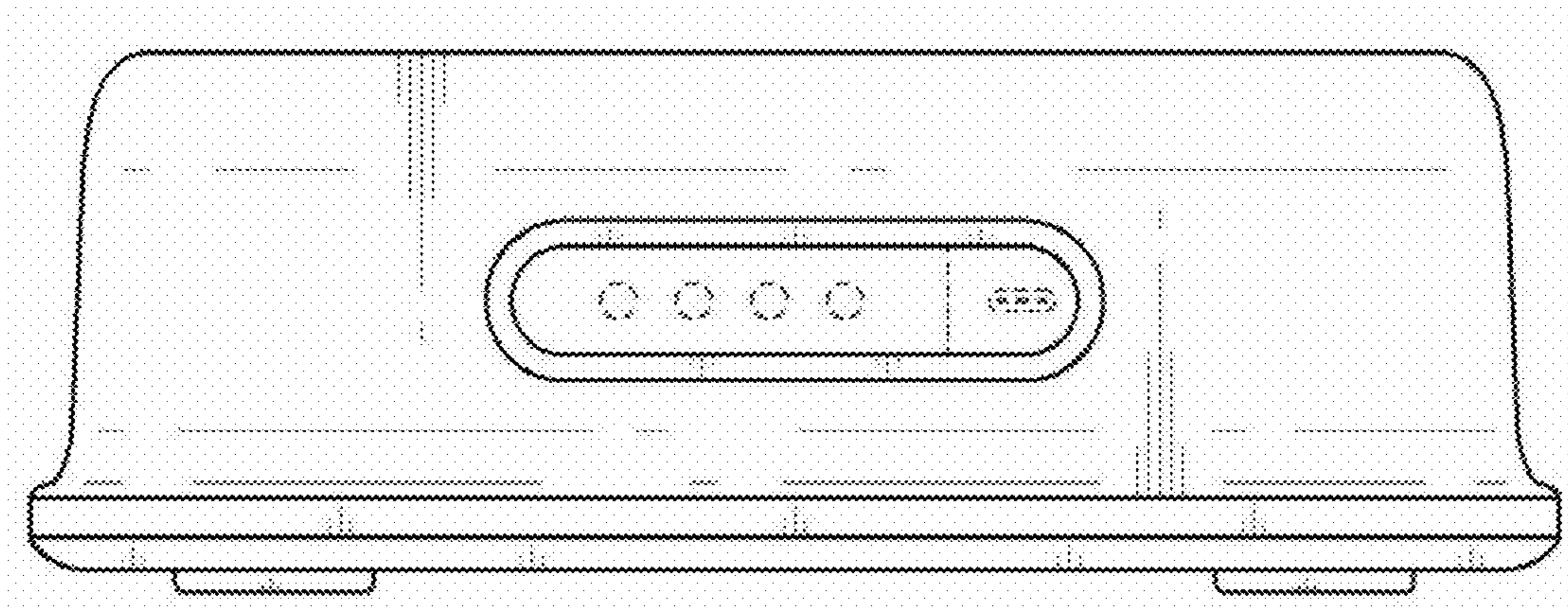


Fig. 4

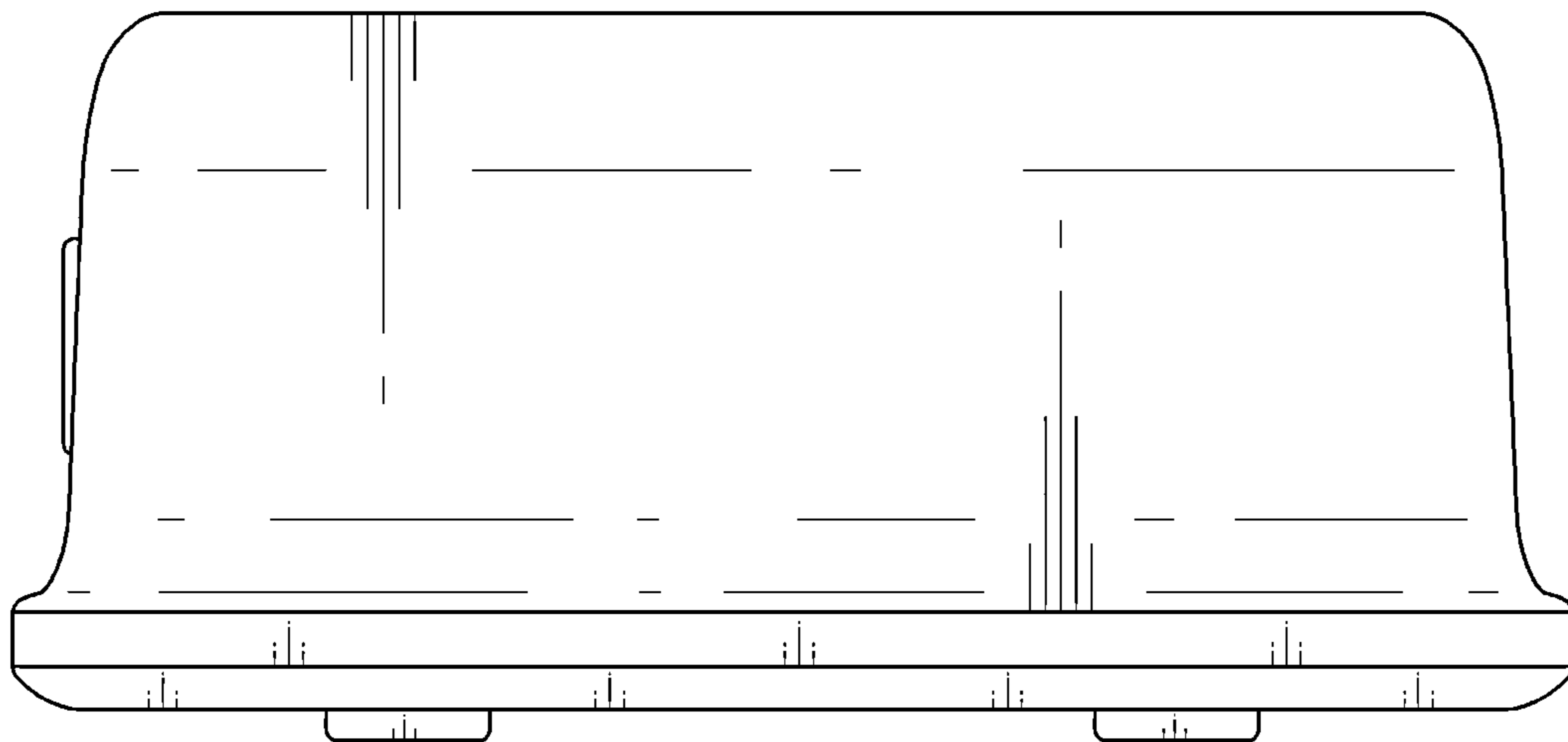


Fig. 5

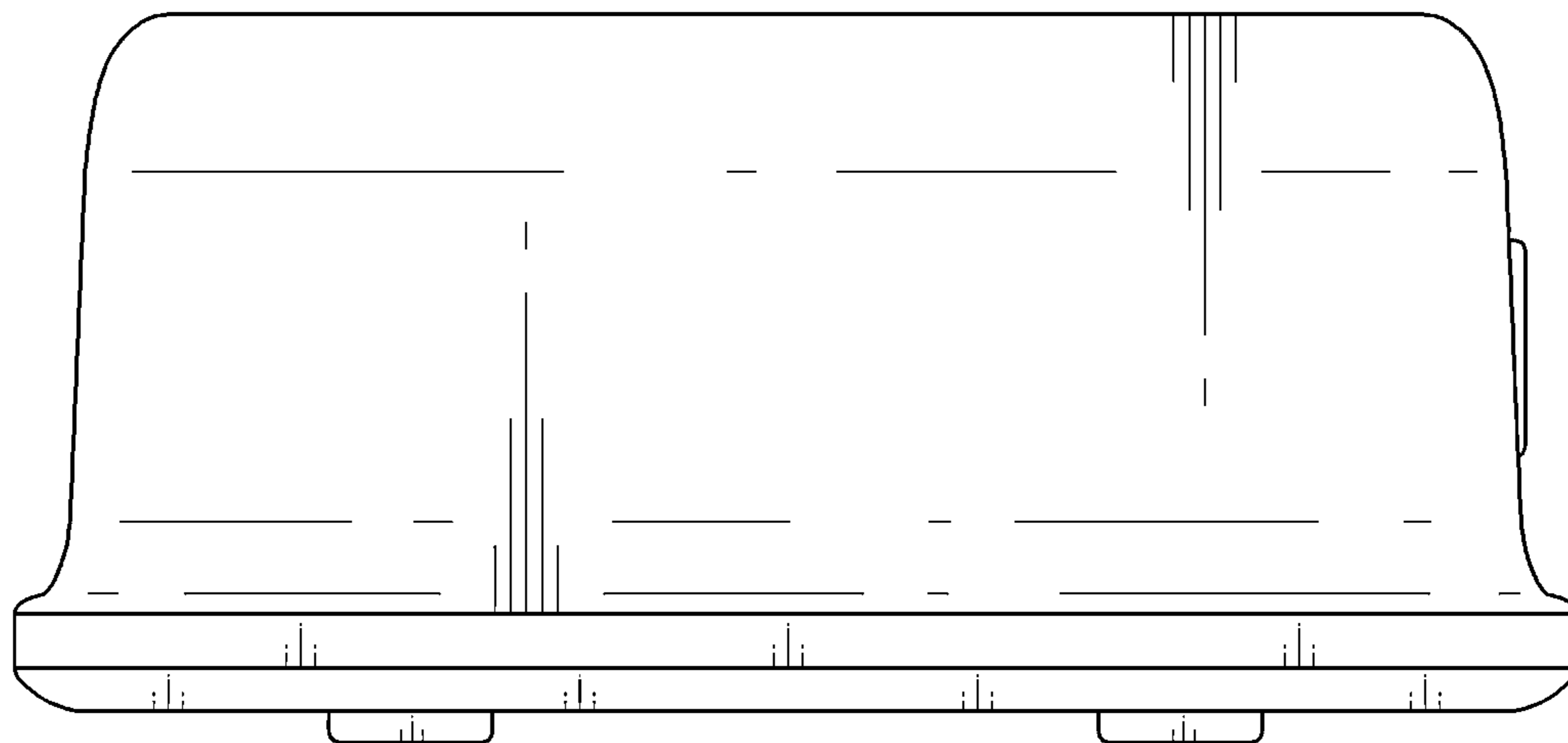


Fig. 6

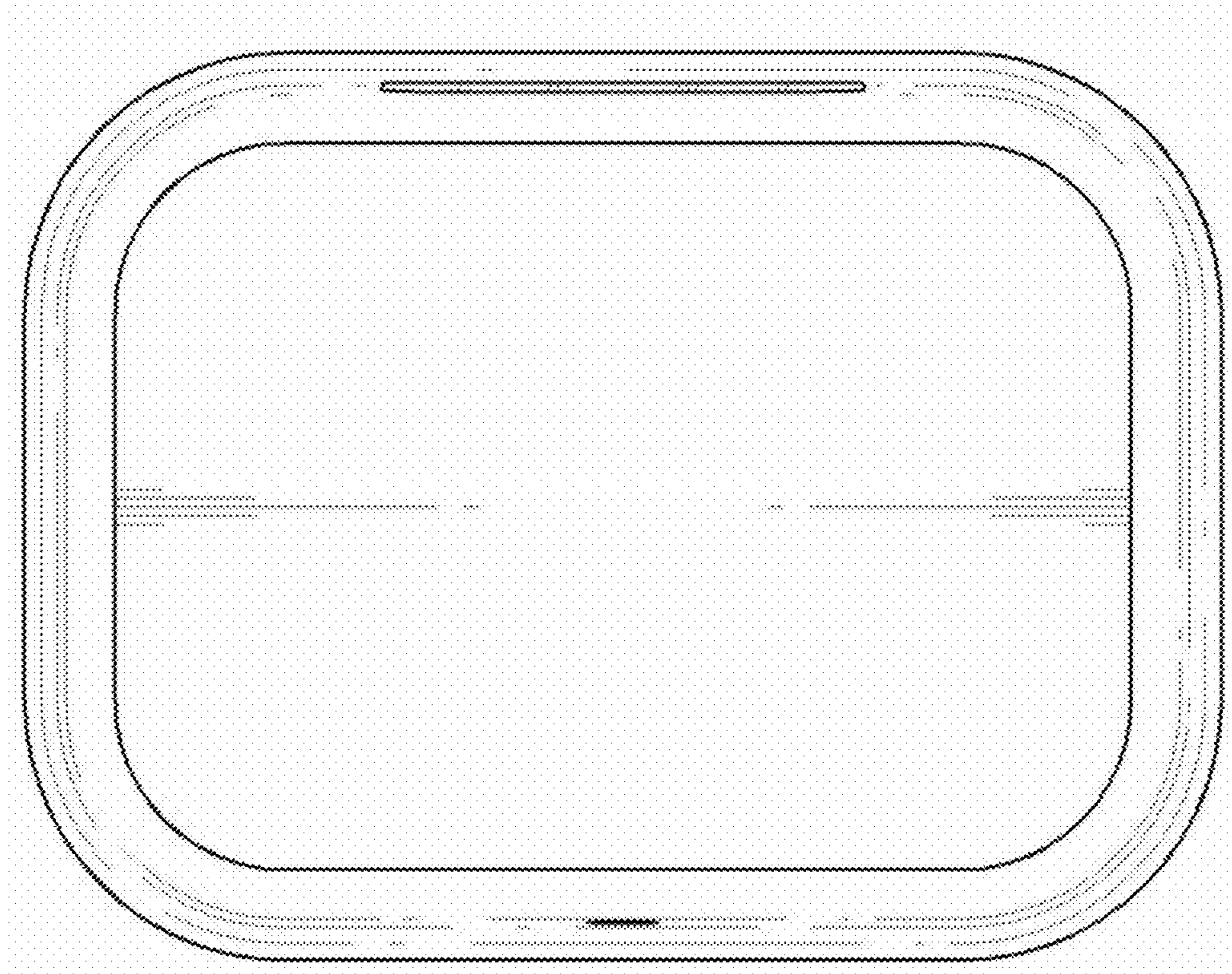


Fig. 7

