



US00D978917S

(12) **United States Design Patent**
Fleece et al.

(10) **Patent No.:** **US D978,917 S**

(45) **Date of Patent:** **** Feb. 21, 2023**

(54) **FILTER BASE**

(71) Applicant: **Fleece Performance Engineering, Inc.**,
Pittsboro, IN (US)

(72) Inventors: **Brayden Fleece**, North Salem, IN (US);
Matthew Clevenger, Lizton, IN (US);
Paul Ritchardson, Jamestown, IN (US)

(73) Assignee: **FLEECE PERFORMANCE**
ENGINEERING, INC., Pittsboro, IN
(US)

(**) Term: **15 Years**

(21) Appl. No.: **29/756,788**

(22) Filed: **Oct. 30, 2020**

(51) **LOC (14) Cl.** **15-02**

(52) **U.S. Cl.**
USPC **D15/7**

(58) **Field of Classification Search**
USPC D15/7-9; D23/231, 232, 235, 227
CPC F02M 37/04; F04B 1/005; F04D 13/06;
F04D 29/22; F04D 29/046; F04D
29/2266; B67D 7/44
See application file for complete search history.

(56) **References Cited**

U.S. PATENT DOCUMENTS

D298,051 S *	10/1988	Matheson	D15/5
D371,140 S *	6/1996	Anderson	D23/209
D410,010 S *	5/1999	Gieseke	D15/5
D526,383 S *	8/2006	Byerly	D23/209
D752,179 S *	3/2016	Lu	D23/209
D785,676 S *	5/2017	Menssen	D15/5
D787,559 S *	5/2017	Nezar	D15/5
D837,264 S *	1/2019	Kennedy	D15/7
D852,680 S *	7/2019	Ness	D12/114

D894,966 S *	9/2020	Kennedy	D15/7
D910,081 S *	2/2021	Fleece	D15/7
D910,082 S *	2/2021	Fleece	D15/7
D910,083 S *	2/2021	Fleece	D15/7
D927,551 S *	8/2021	Hudnall	D8/382
D928,842 S *	8/2021	Palkic	D15/7
D929,464 S *	8/2021	Palkic	D15/7
D940,203 S *	1/2022	Hudnall	D8/382
D943,005 S *	2/2022	Duut	D15/7
D943,006 S *	2/2022	Meza	D15/7
D947,902 S *	4/2022	Tu	D15/7
D949,924 S *	4/2022	Wikström	D15/7
D956,105 S *	6/2022	Kennedy	D15/7

* cited by examiner

Primary Examiner — Michael C Stout

Assistant Examiner — Fritzgerald L Butac

(74) *Attorney, Agent, or Firm* — Taft Stettinius &
Hollister LLP; Stephen F. Rost

(57) **CLAIM**

The ornamental design for a filter base, as shown and described.

DESCRIPTION

FIG. 1 is a top, front right perspective view of a fourth embodiment of a filter base shown according to the present design;

FIG. 2 is a bottom, back right perspective view thereof;

FIG. 3 is a front end view thereof;

FIG. 4 is a rear end view thereof;

FIG. 5 is a right side elevational view thereof;

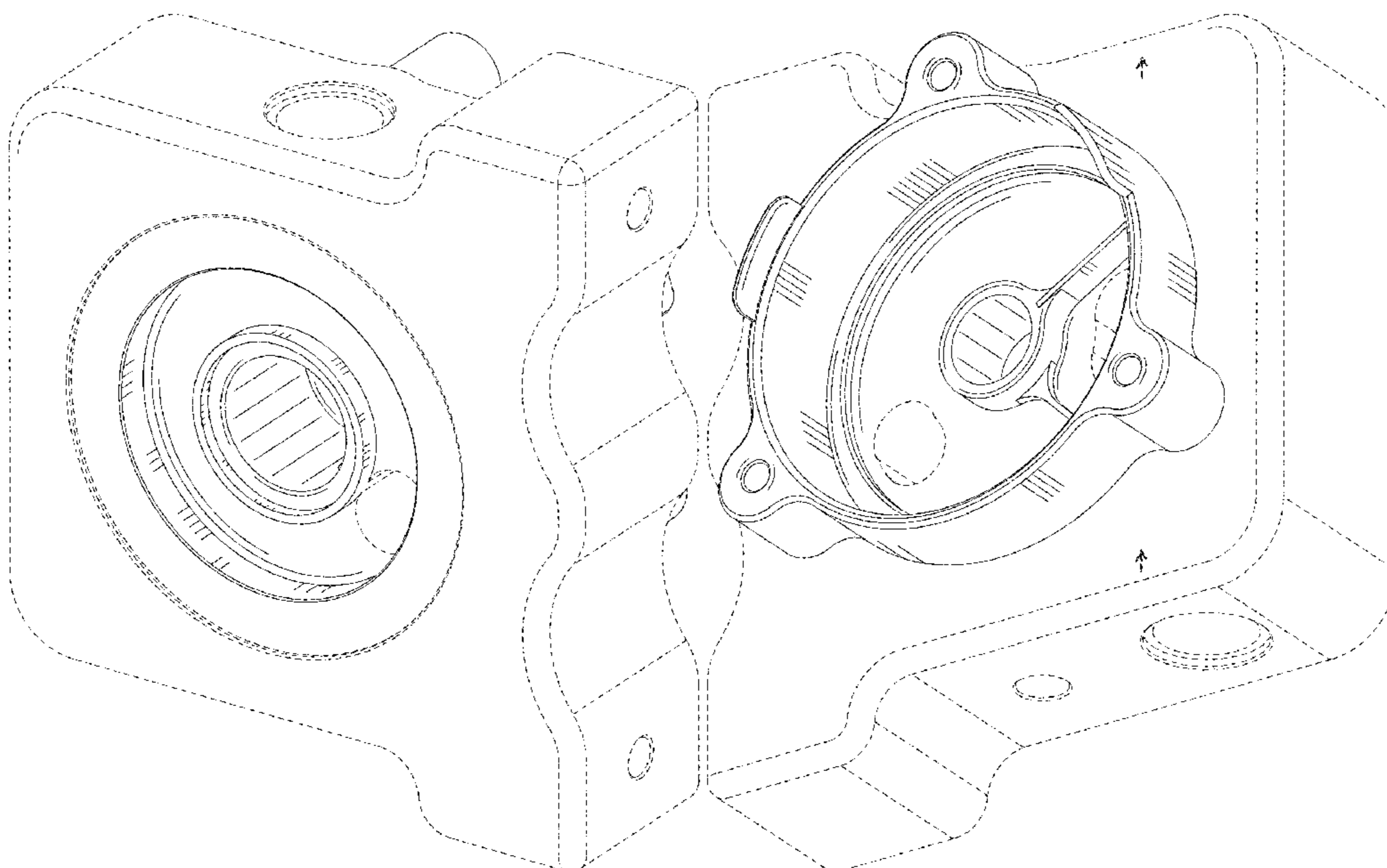
FIG. 6 is a left side elevational view thereof;

FIG. 7 is a top plan view thereof; and,

FIG. 8 is a bottom plan view thereof.

The broken lines show portions of a filter base which form no part of the claimed design.

1 Claim, 6 Drawing Sheets



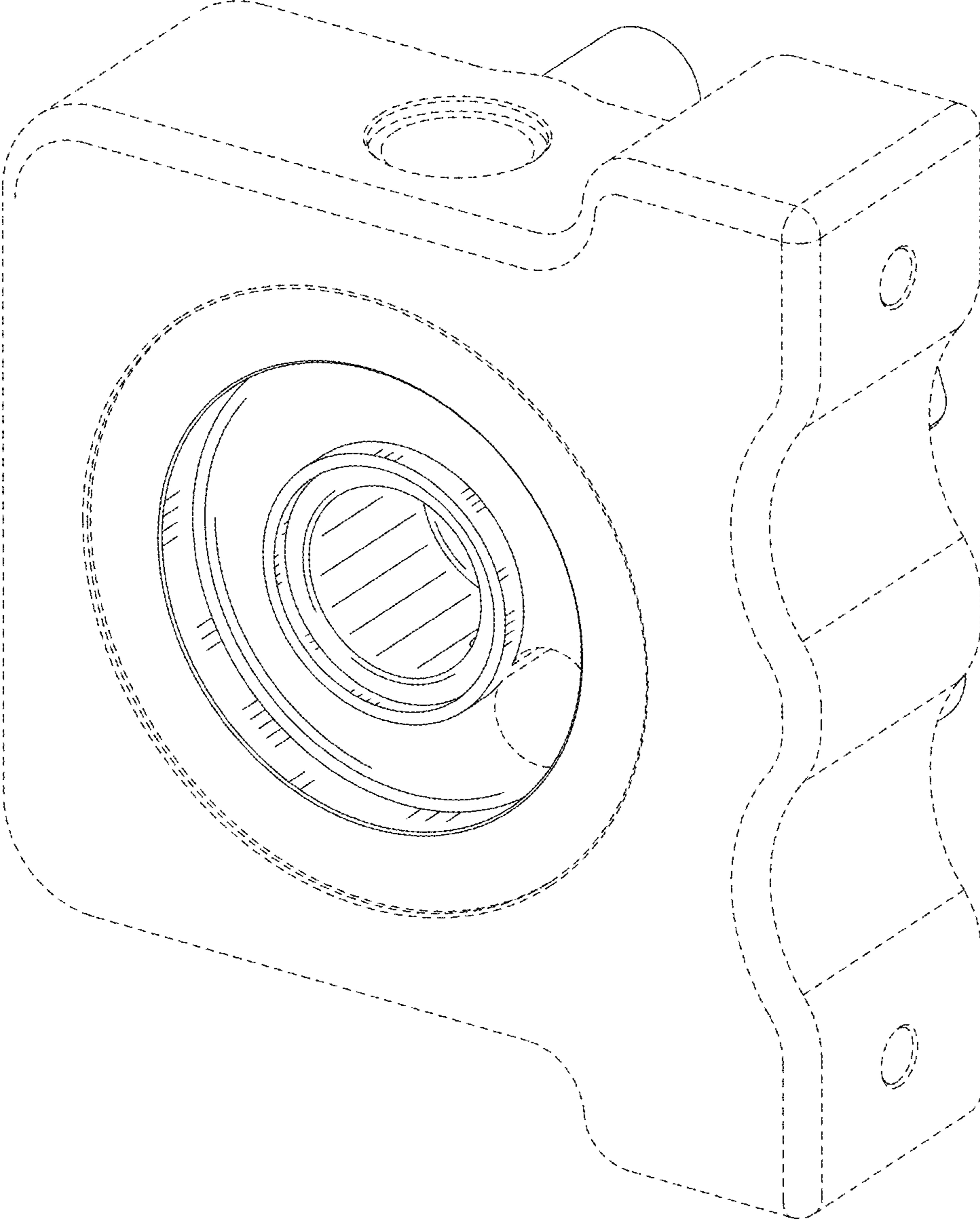


Fig. 1

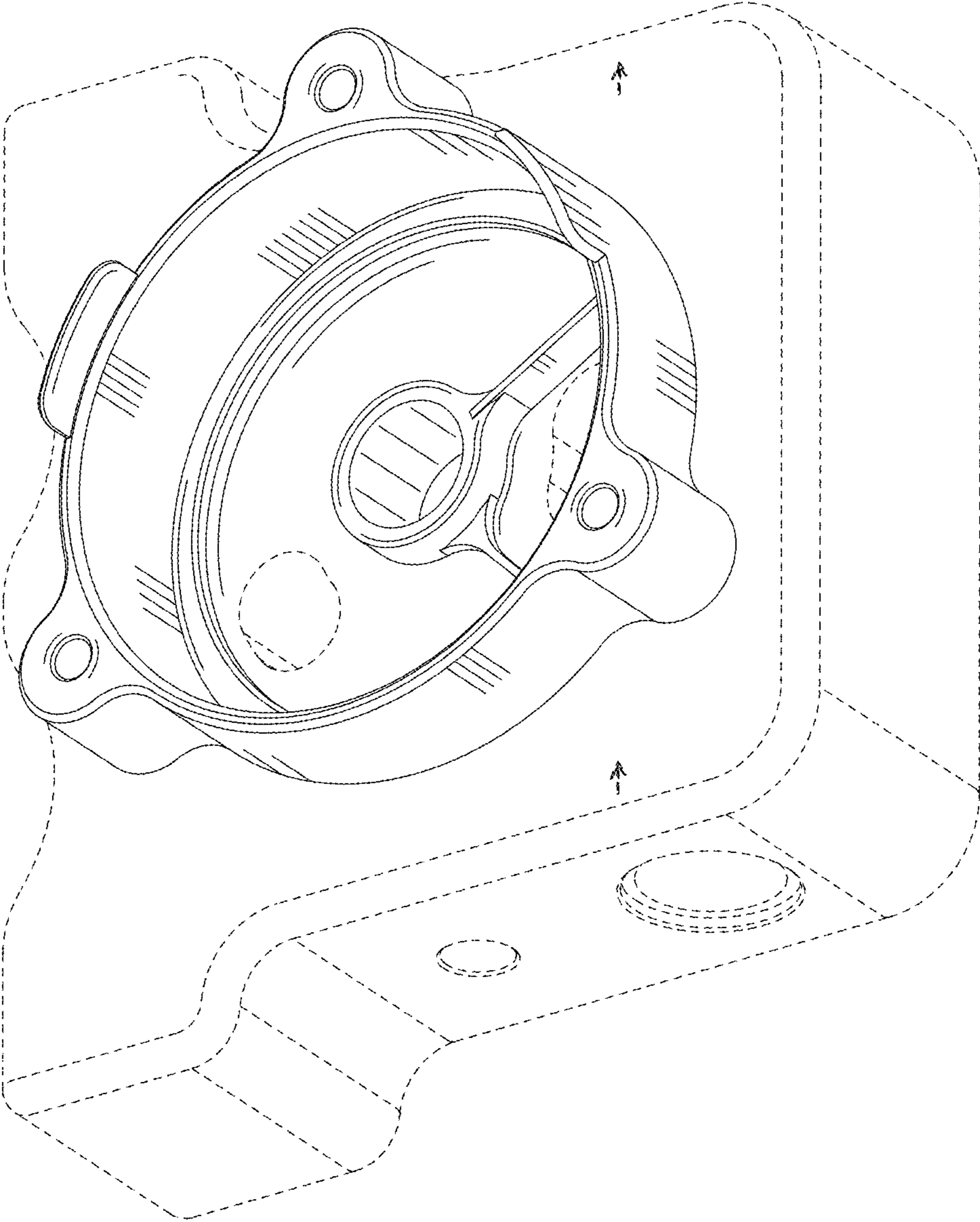


Fig. 2

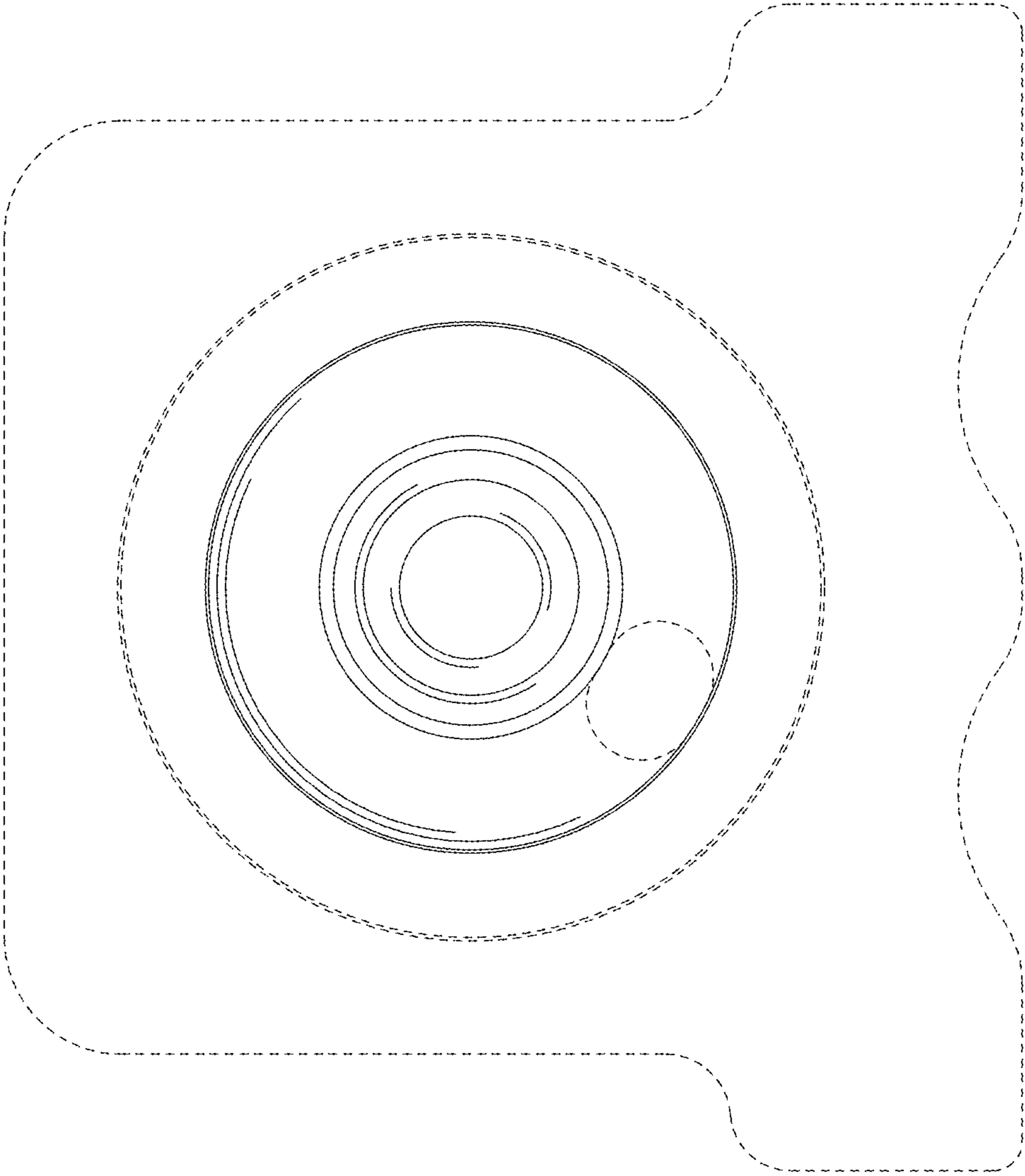


Fig. 3

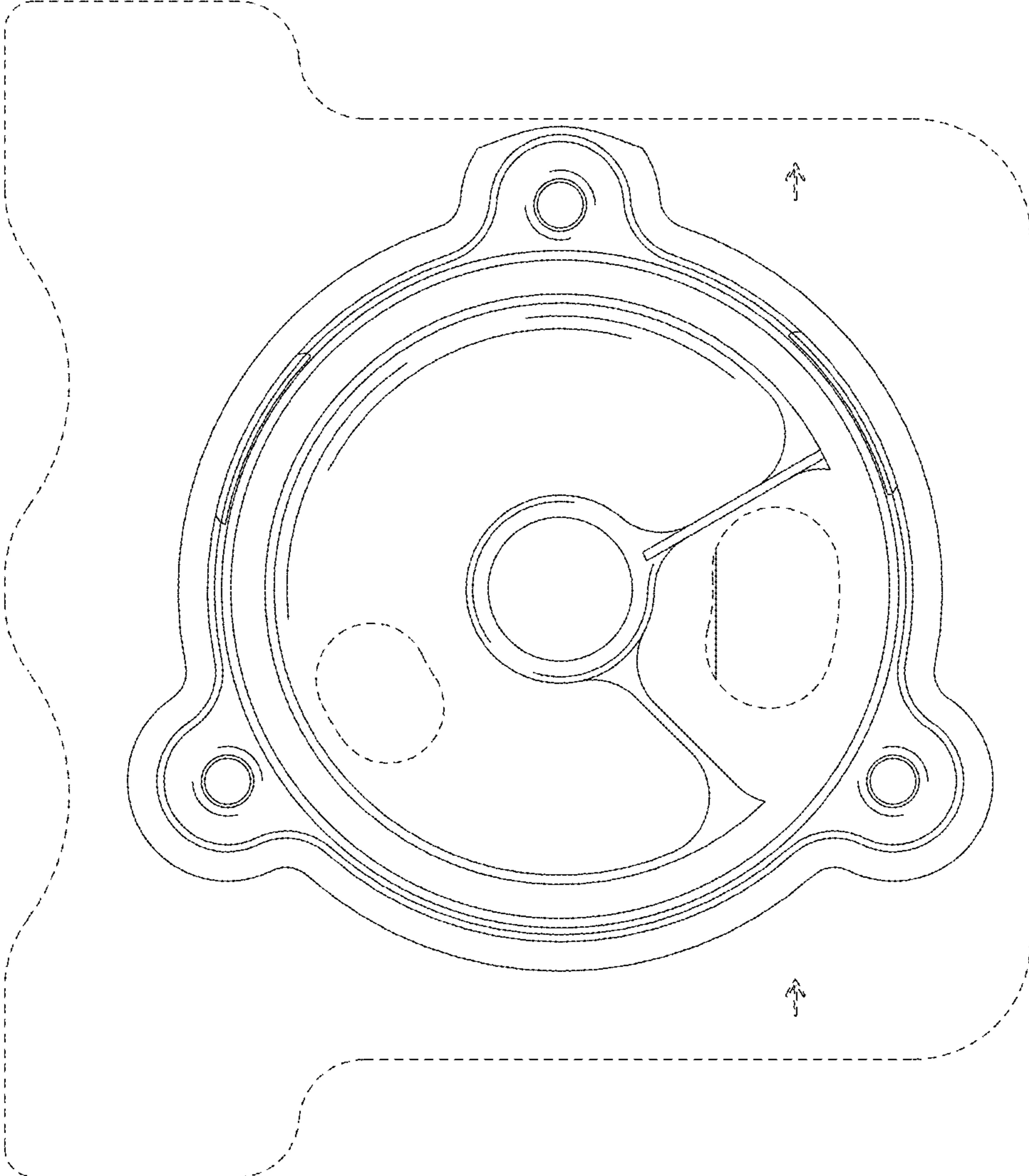


Fig. 4

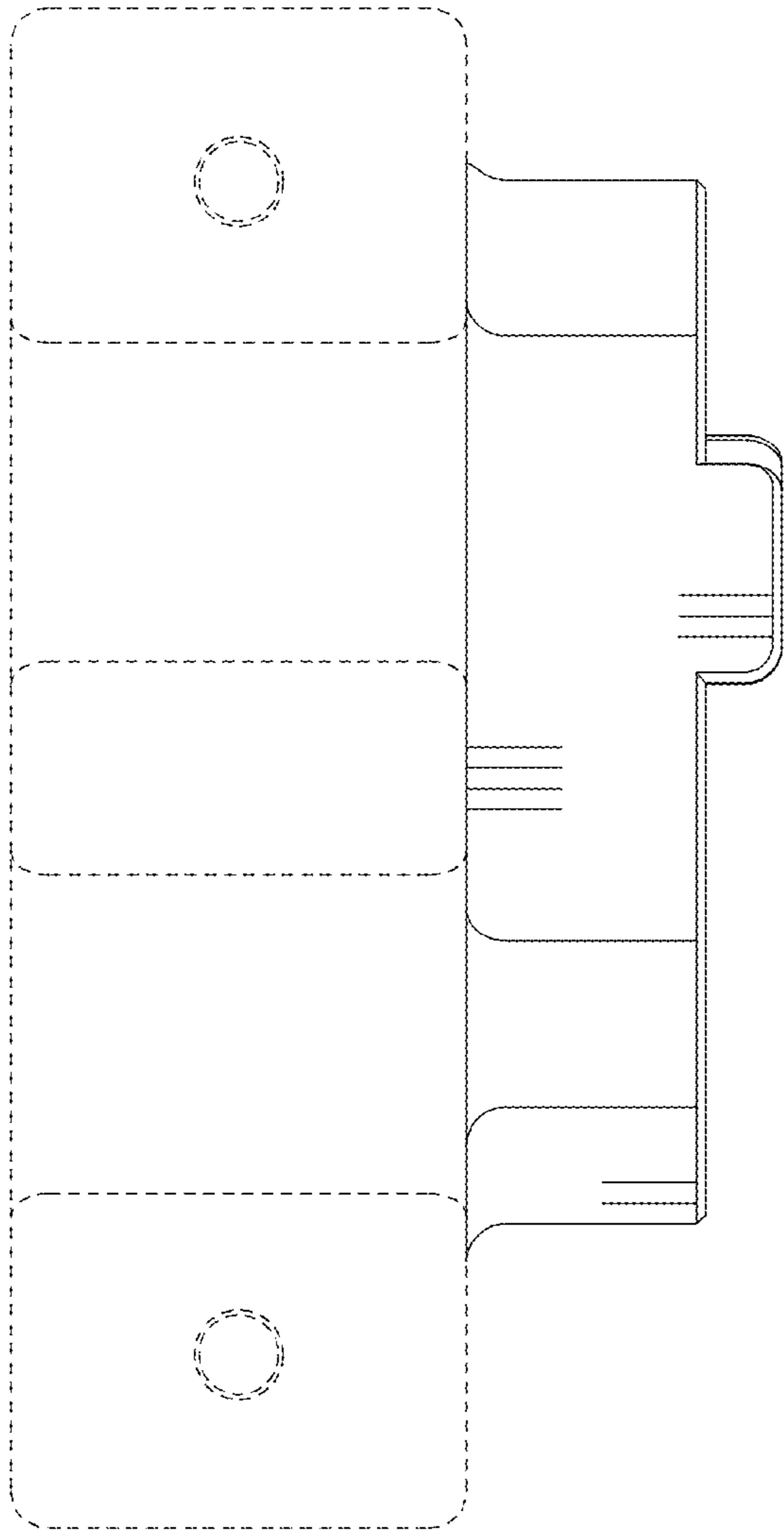


Fig. 5

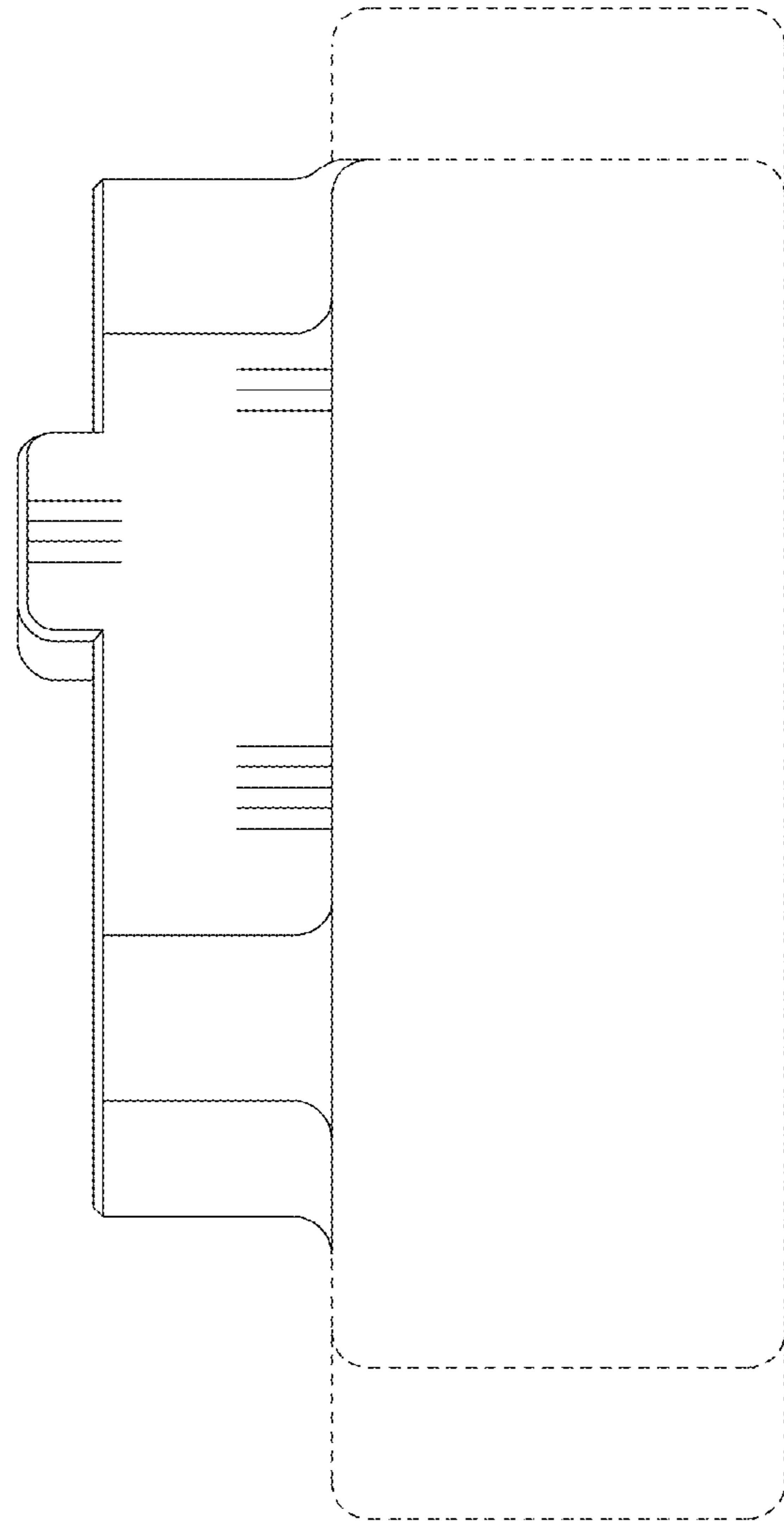


Fig. 6

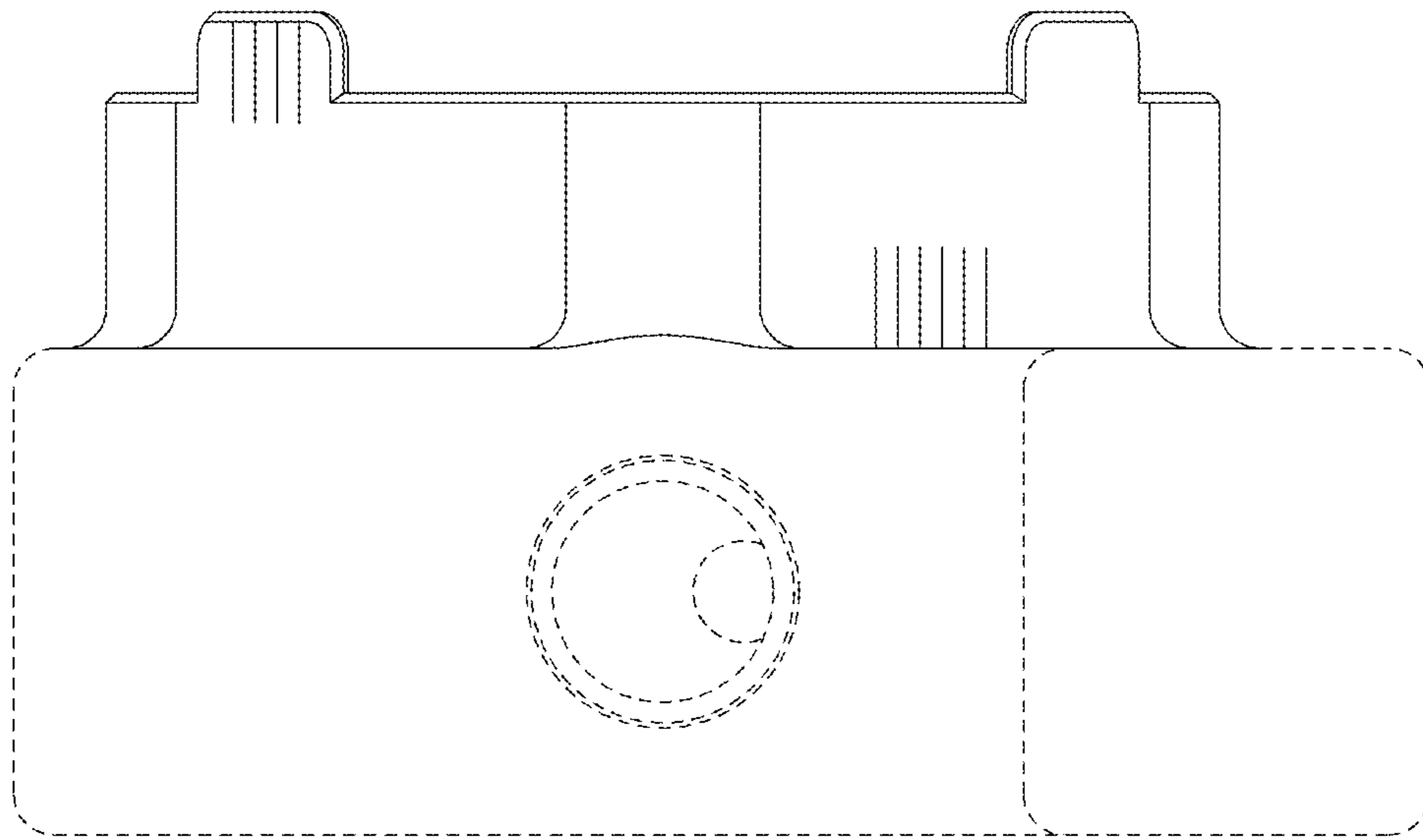


Fig. 7

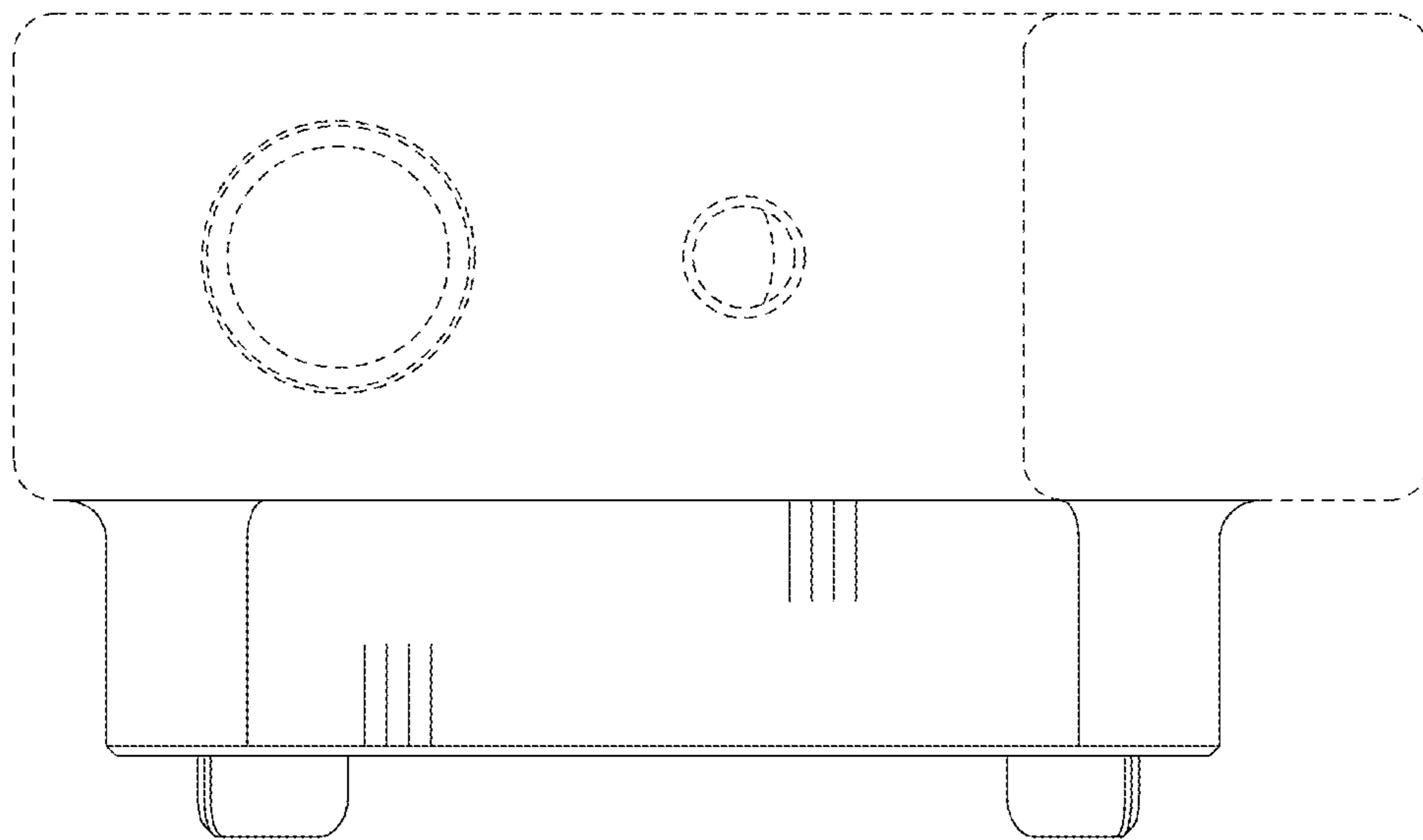


Fig. 8