

US00D978916S

(12) **United States Design Patent** (10) **Patent No.:** **US D978,916 S**
Kjær (45) **Date of Patent:** **** Feb. 21, 2023**

(54) **PUMP FOR LIQUIDS**

(71) Applicant: **Grundfos Holding A/S**, Bjerringbro (DK)

(72) Inventor: **Jonas Kjær**, Bjerringbro (DK)

(73) Assignee: **Grundfos Holding A/S**, Bjerringbro (DK)

(**) Term: **15 Years**

(21) Appl. No.: **29/739,471**

(22) Filed: **Jun. 25, 2020**

(30) **Foreign Application Priority Data**

Dec. 27, 2019 (EM) 007456793

(51) **LOC (14) Cl.** **15-02**

(52) **U.S. Cl.**
USPC **D15/7**

(58) **Field of Classification Search**
USPC D15/7-9; D23/206, 213, 214, 387, 421
(Continued)

(56) **References Cited**

U.S. PATENT DOCUMENTS

D327,075 S * 6/1992 Tiedemann D15/7
D536,705 S * 2/2007 Griffin D15/7
(Continued)

FOREIGN PATENT DOCUMENTS

JP D1534390 10/2015
JP D1578920 6/2017
TW D189935 12/2016

OTHER PUBLICATIONS

Grundfos Holding, SCALAI Twin Connection instructions, (Nov. 18, 2019), Grundfos website, URL:<<https://api.grundfos.com/literature/Grundfosliterature-6226667.pdf>> (Year: 2019).*

Grundfos Holding, MQ multistage pump brochure (Jul. 2004), Supplyhouse.com website, URL:<https://s3.amazonaws.com/s3.supplyhouse.com/manuals/1315945314389/63387_PROD_FILE.pdf> (Year: 2004).*

Primary Examiner — Calvin E Vasant
Assistant Examiner — Mark T. Philipps

(74) *Attorney, Agent, or Firm* — Knobbe, Martens, Olson & Bear, LLP

(57) **CLAIM**

The ornamental design for a pump for liquids, as shown and described.

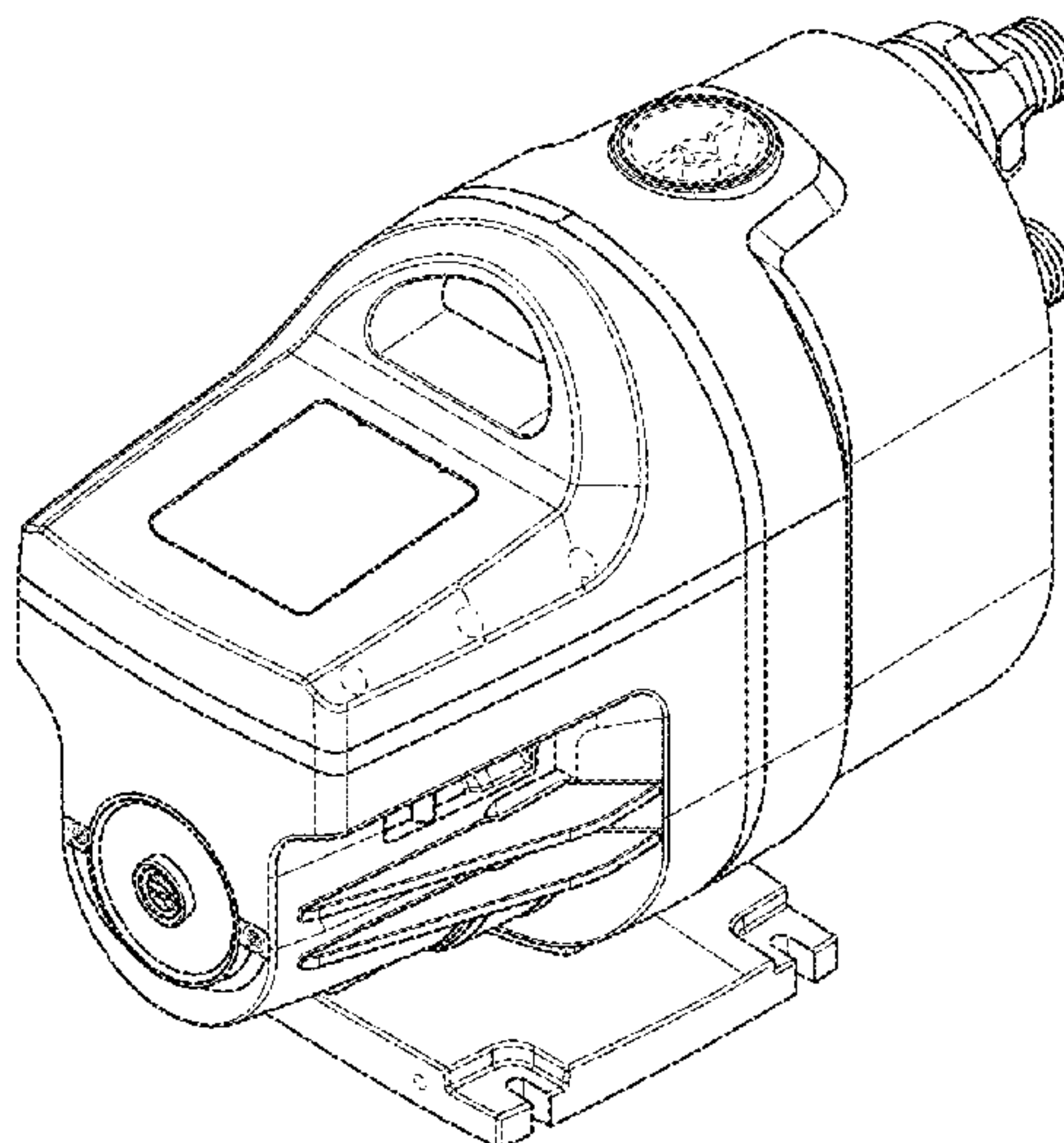
DESCRIPTION

The file of this patent contains at least one drawing executed in color. Copies of this patent with color drawings will be provided by the Office upon request and payment of the necessary fee.

FIG. 1 is a front top left perspective view of a pump for liquids showing a first embodiment of my new design; FIG. 2 is a front elevational view thereof; FIG. 3 is a rear elevational view thereof; FIG. 4 is a right side elevational view thereof; FIG. 5 is a left side elevational view thereof; FIG. 6 is a top plan view thereof; and FIG. 7 is a bottom plan view thereof; FIG. 8 is a front top right perspective view of a pump for liquids showing a second embodiment of my new design, which includes line drawings corresponding to the first embodiment and in which color is not claimed; FIG. 9 is a front elevational view thereof; FIG. 10 is rear elevational view thereof; FIG. 11 is a right side elevational view thereof; FIG. 12 is a left side elevational view thereof; FIG. 13 is a top plan view thereof; and, FIG. 14 is a bottom plan view thereof.

The other broken lines in the figures show portions of the pump for liquids that form no part of the claimed design.

1 Claim, 14 Drawing Sheets
(4 of 14 Drawing Sheet(s) Filed in Color)



(58) **Field of Classification Search**

CPC . F04D 1/00; F04D 1/14; F04D 29/007; F04D
29/406; F04D 29/426; F04D 29/4293;
F04D 13/06; F04D 29/041; F04D 29/22;
F04D 29/60; F04D 29/605; F04D
15/0088; F04D 15/0066; F04D 15/0245;
F04B 17/03; F04B 17/046; F04B 17/048;
F04B 35/04; F04B 43/04; F04B 43/043

See application file for complete search history.

(56) **References Cited**

U.S. PATENT DOCUMENTS

D557,708	S	*	12/2007	Carpenter	D15/7
D698,369	S	*	1/2014	Meza	D15/7
D713,860	S	*	9/2014	Pedrollo	D15/7
D833,483	S	*	11/2018	Sofussen	D15/7
D837,832	S	*	1/2019	Sofussen	D15/7
D850,490	S		6/2019	Janardhan et al.		
D872,132	S	*	1/2020	Sofussen	D15/7
D888,103	S	*	6/2020	Lee	D15/7
11,067,086	B2	*	7/2021	Sierakowski-Larsen	
						F04D 15/0005

* cited by examiner



FIG. 1

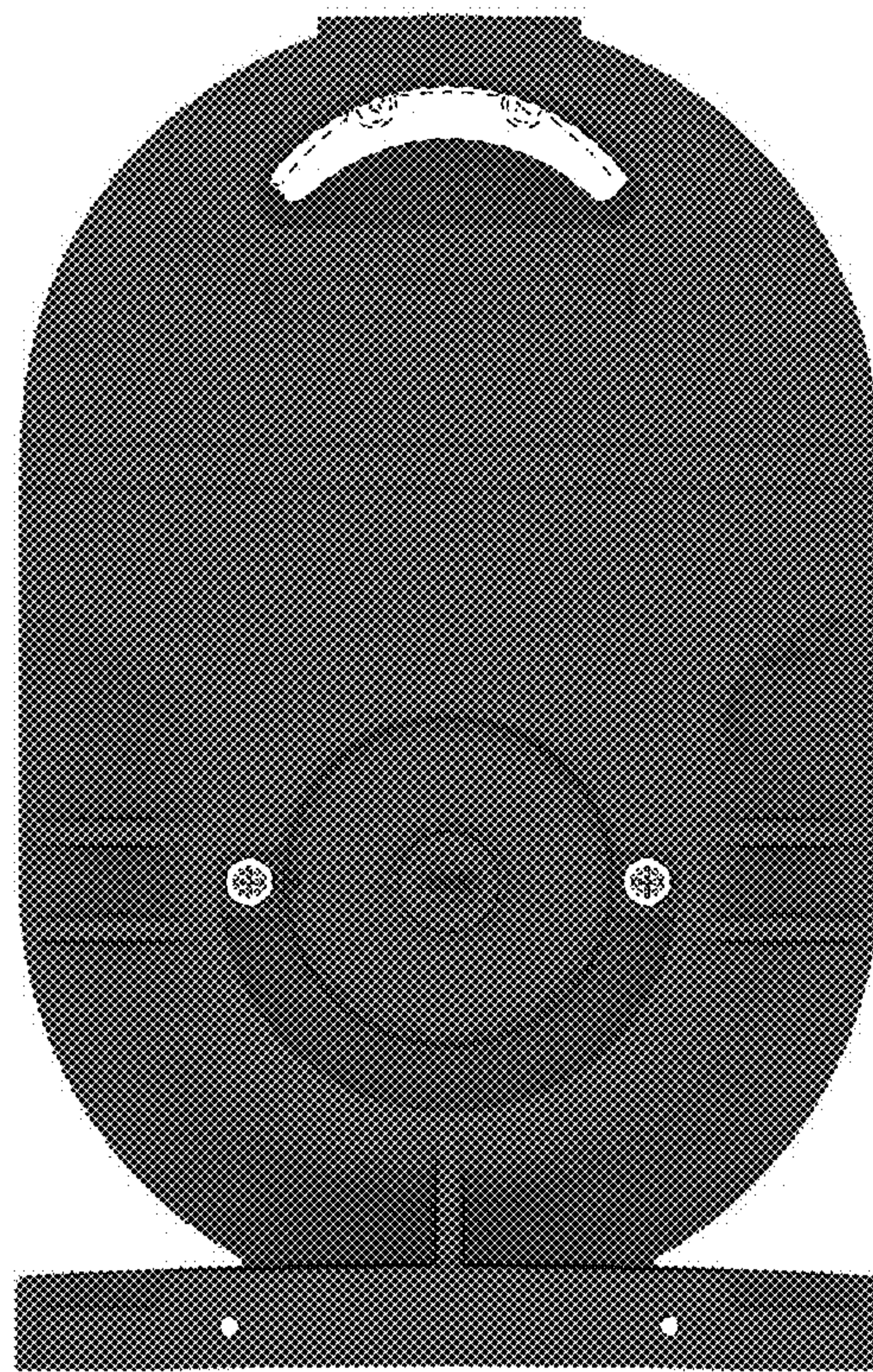


FIG. 2

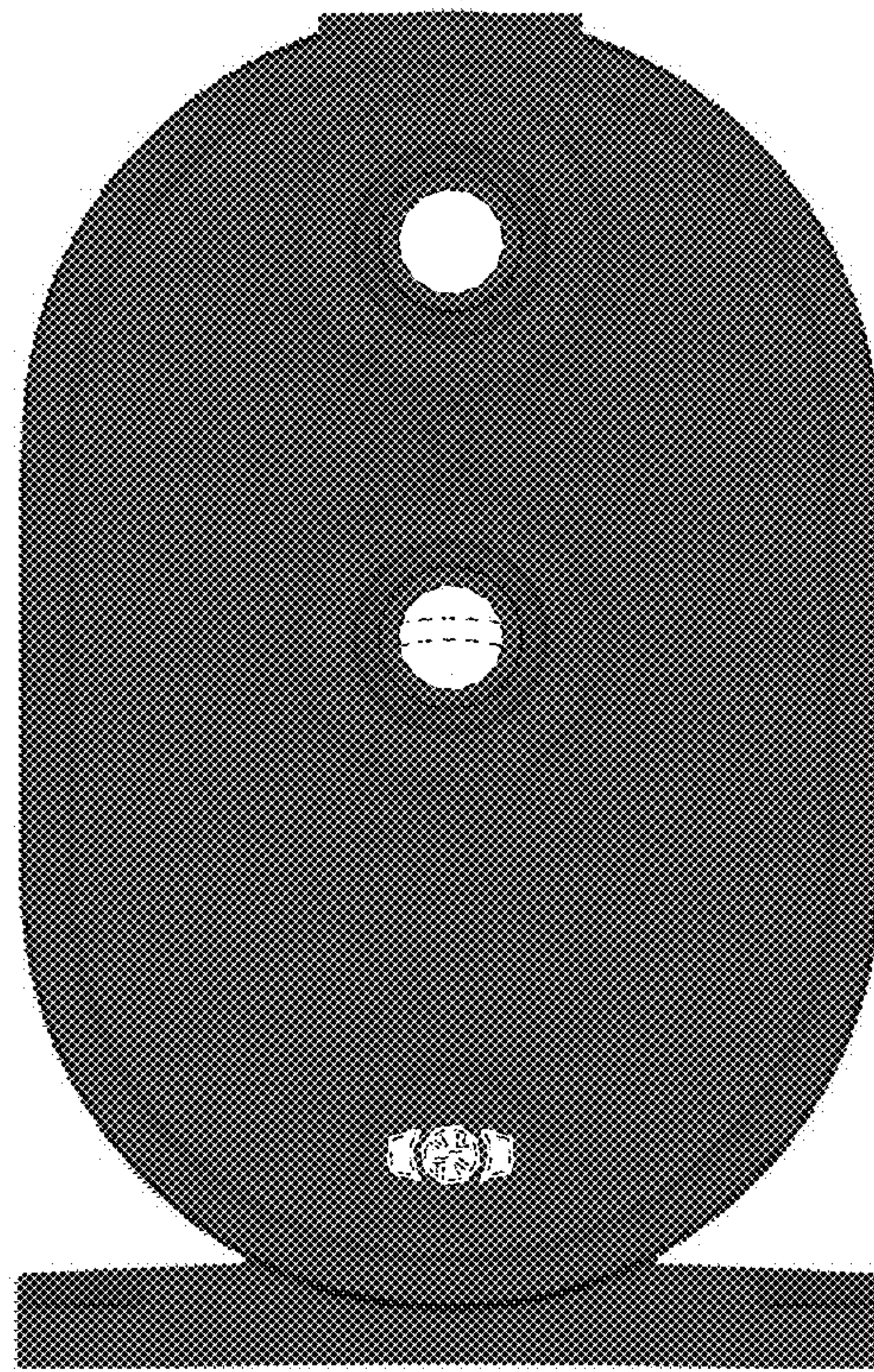


FIG. 3

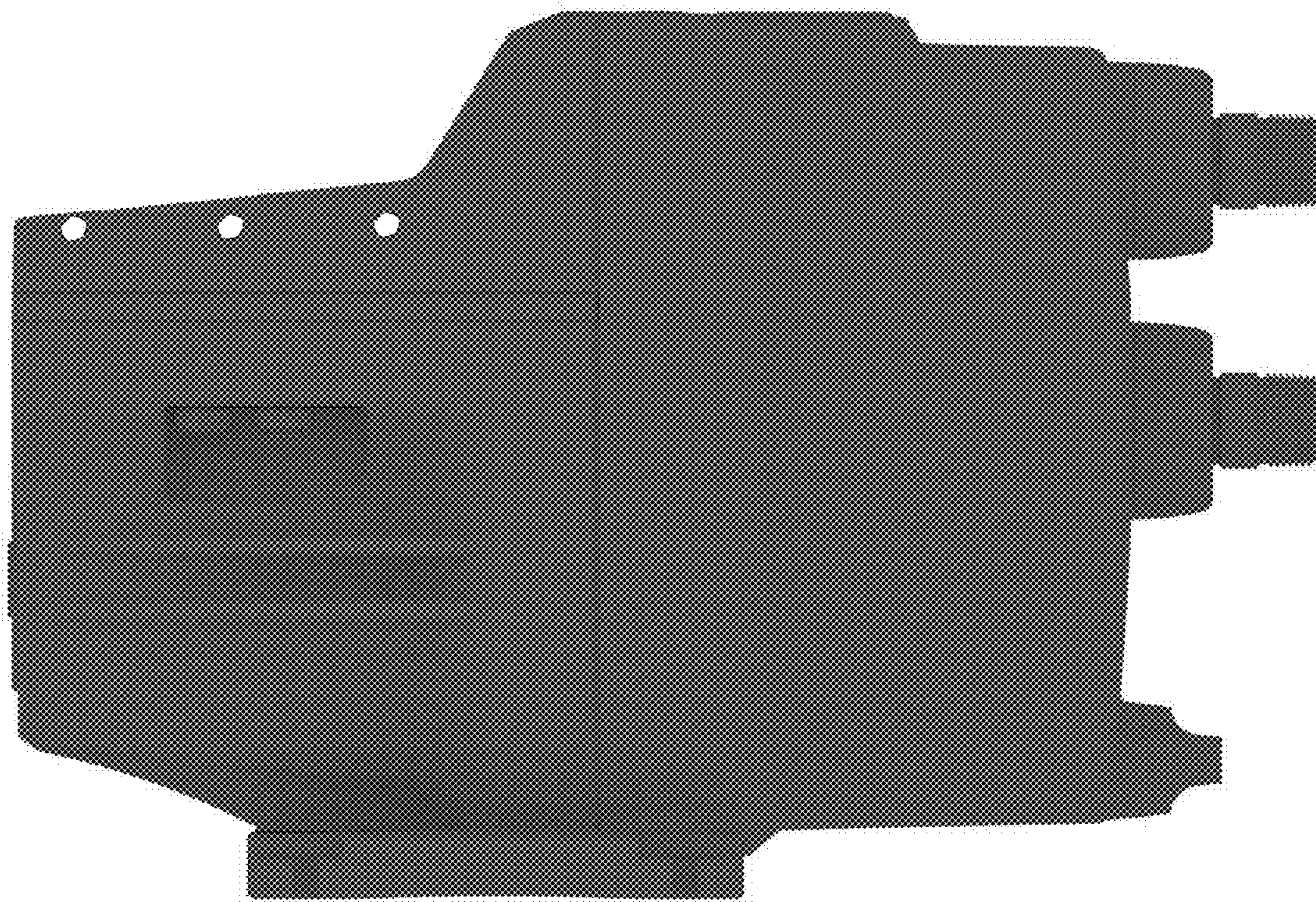


FIG. 4

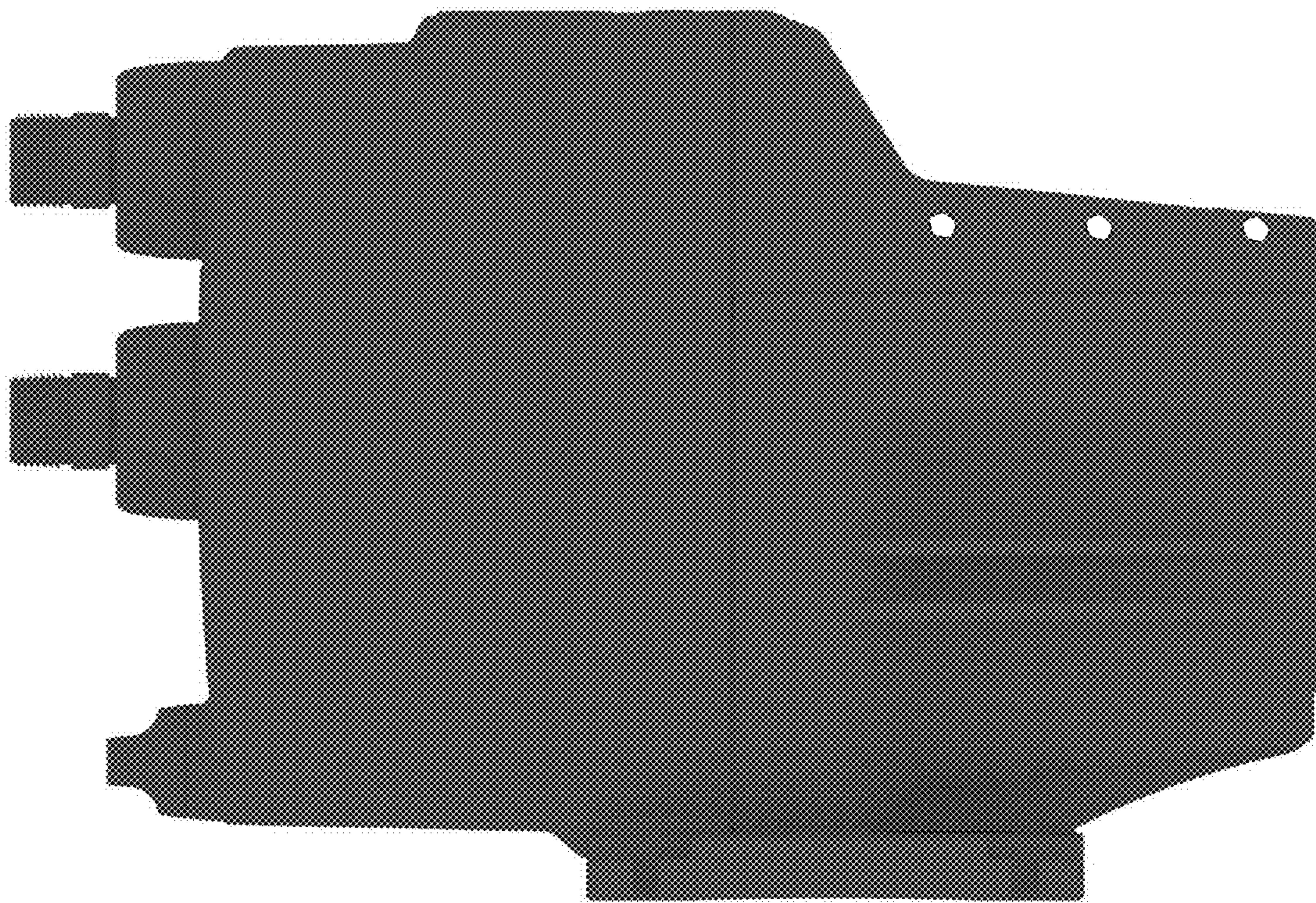


FIG. 5

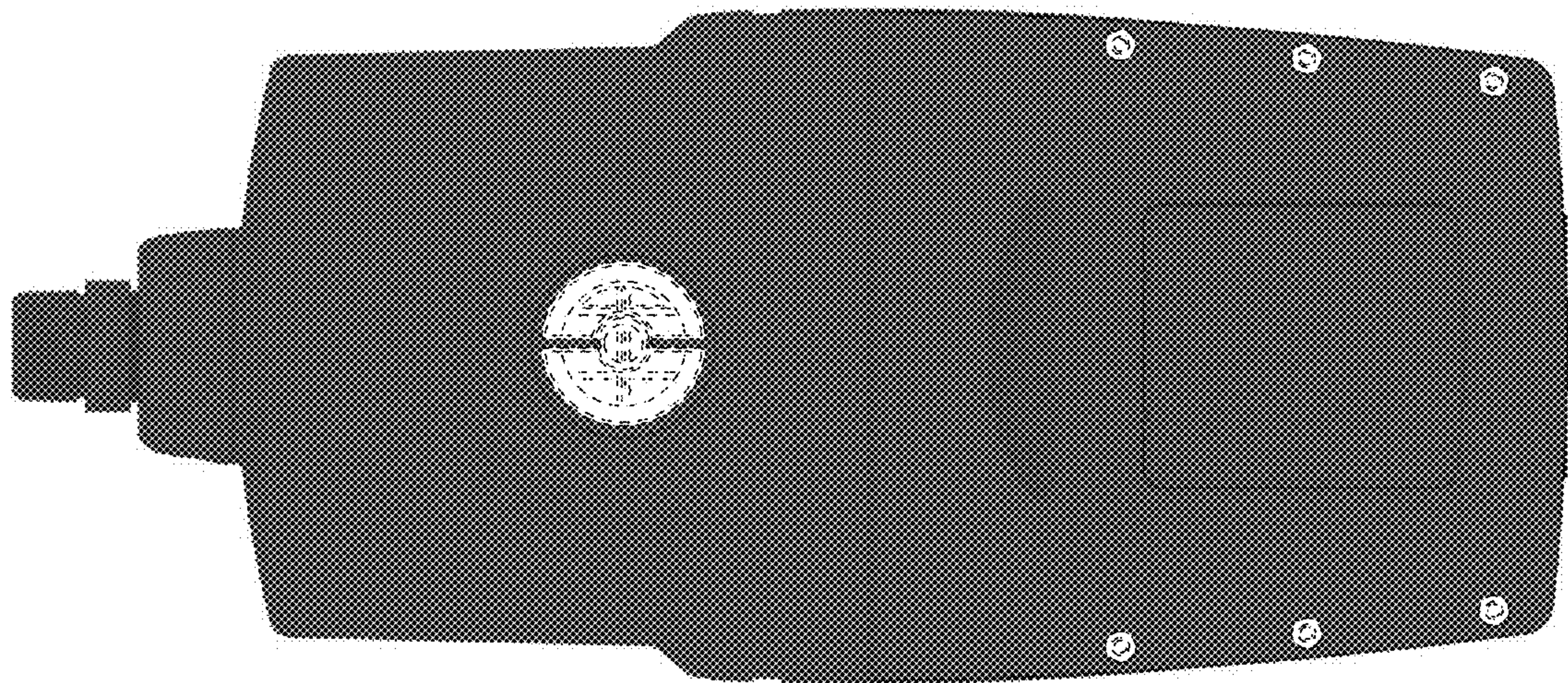


FIG. 6

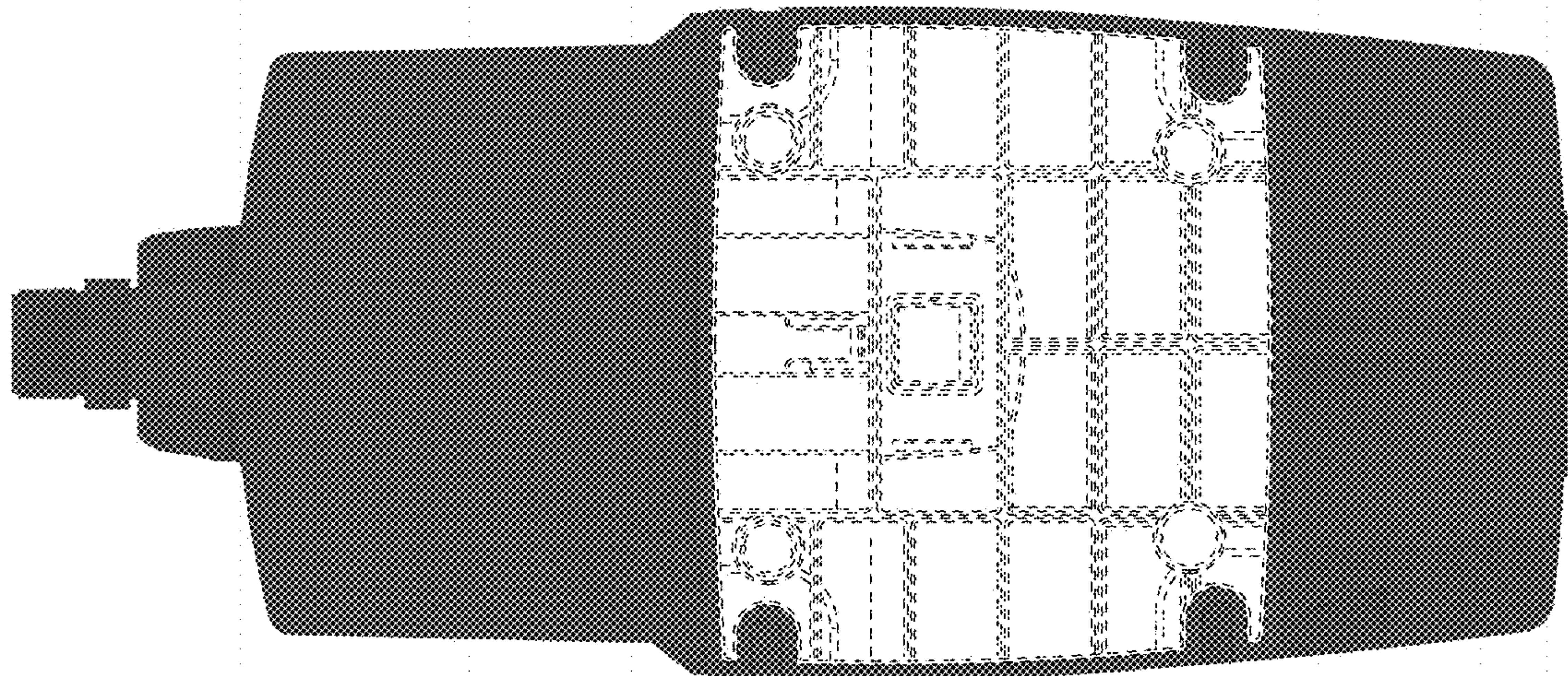


FIG. 7

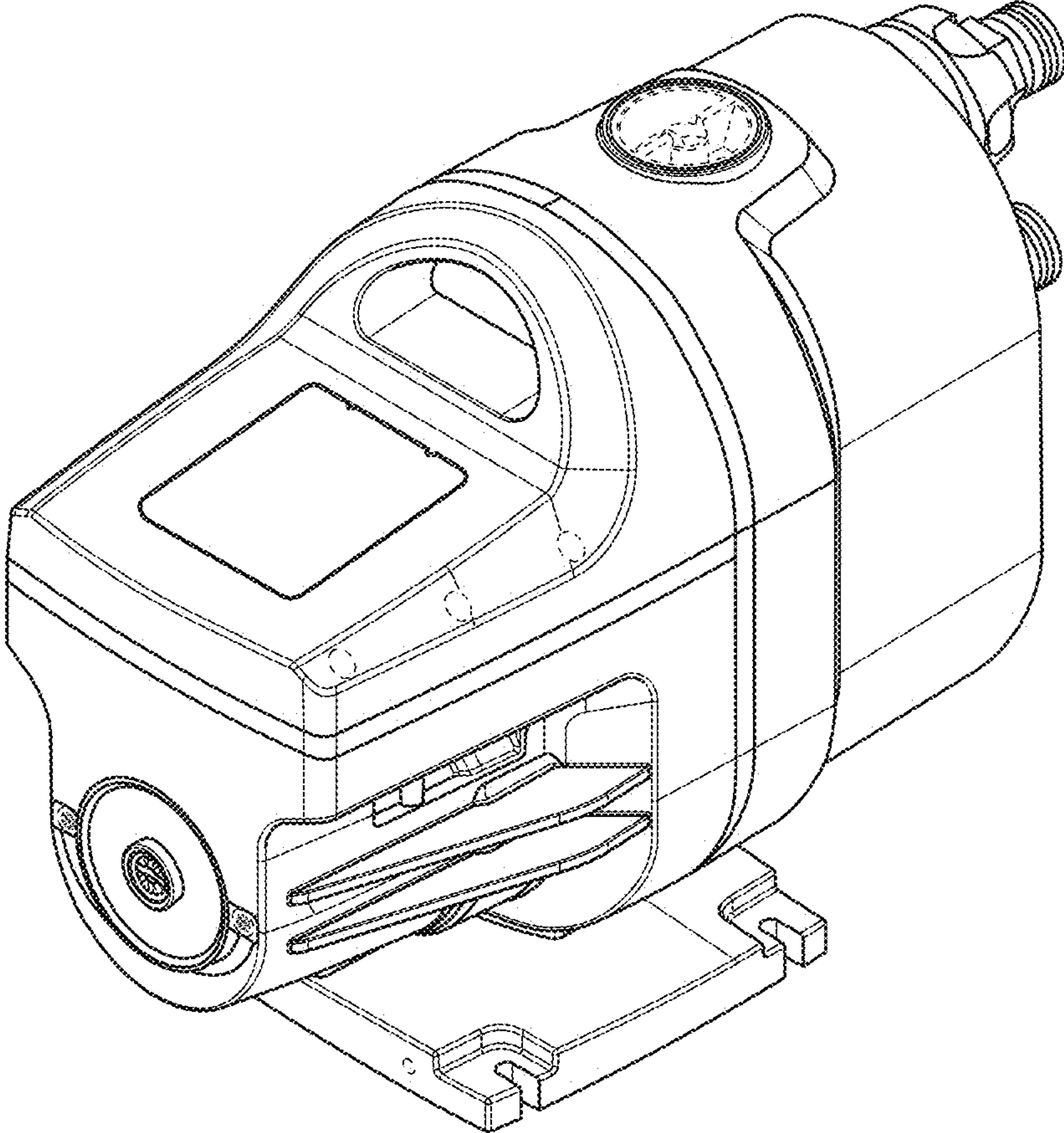


FIG. 8

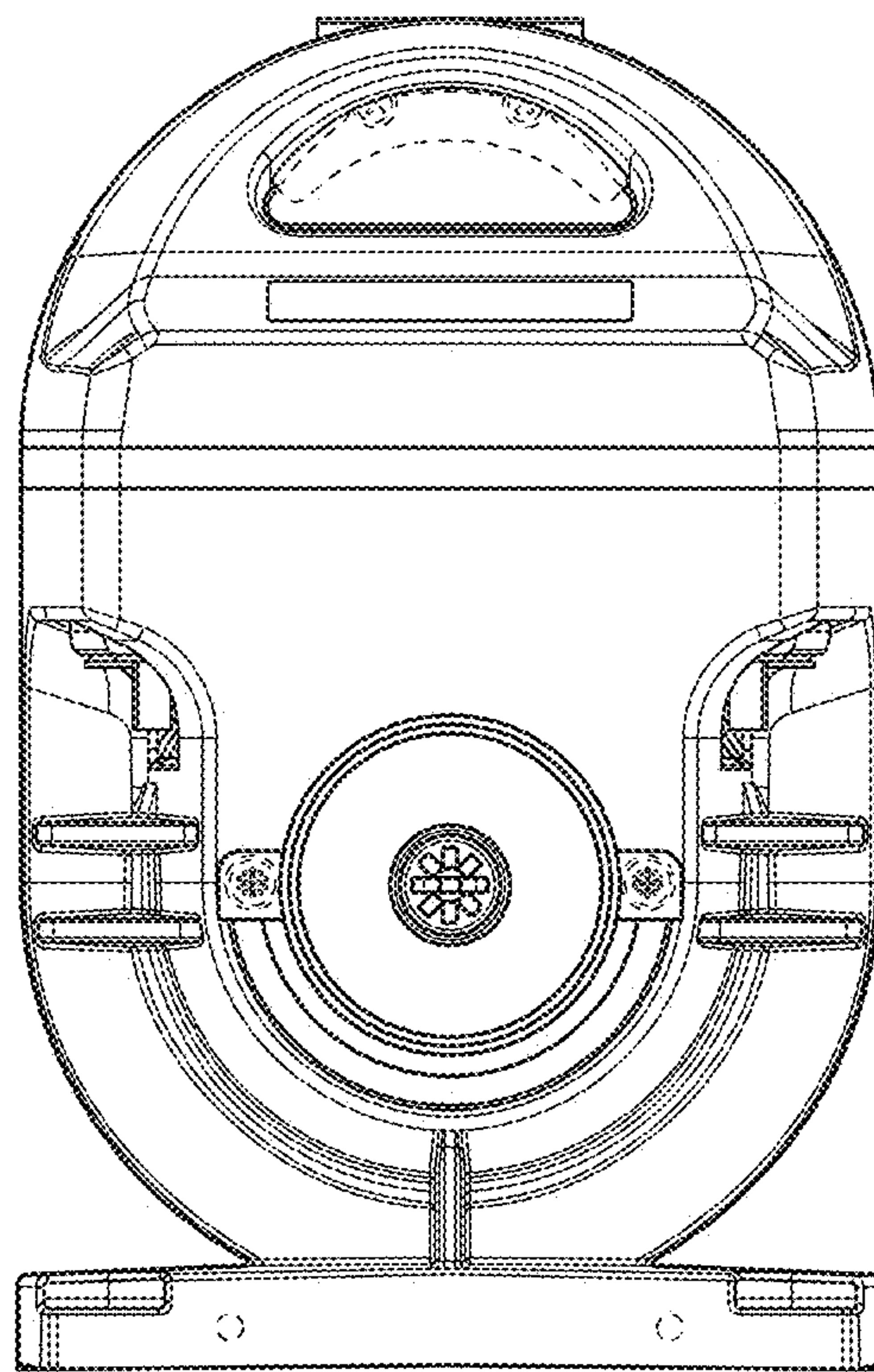


FIG. 9

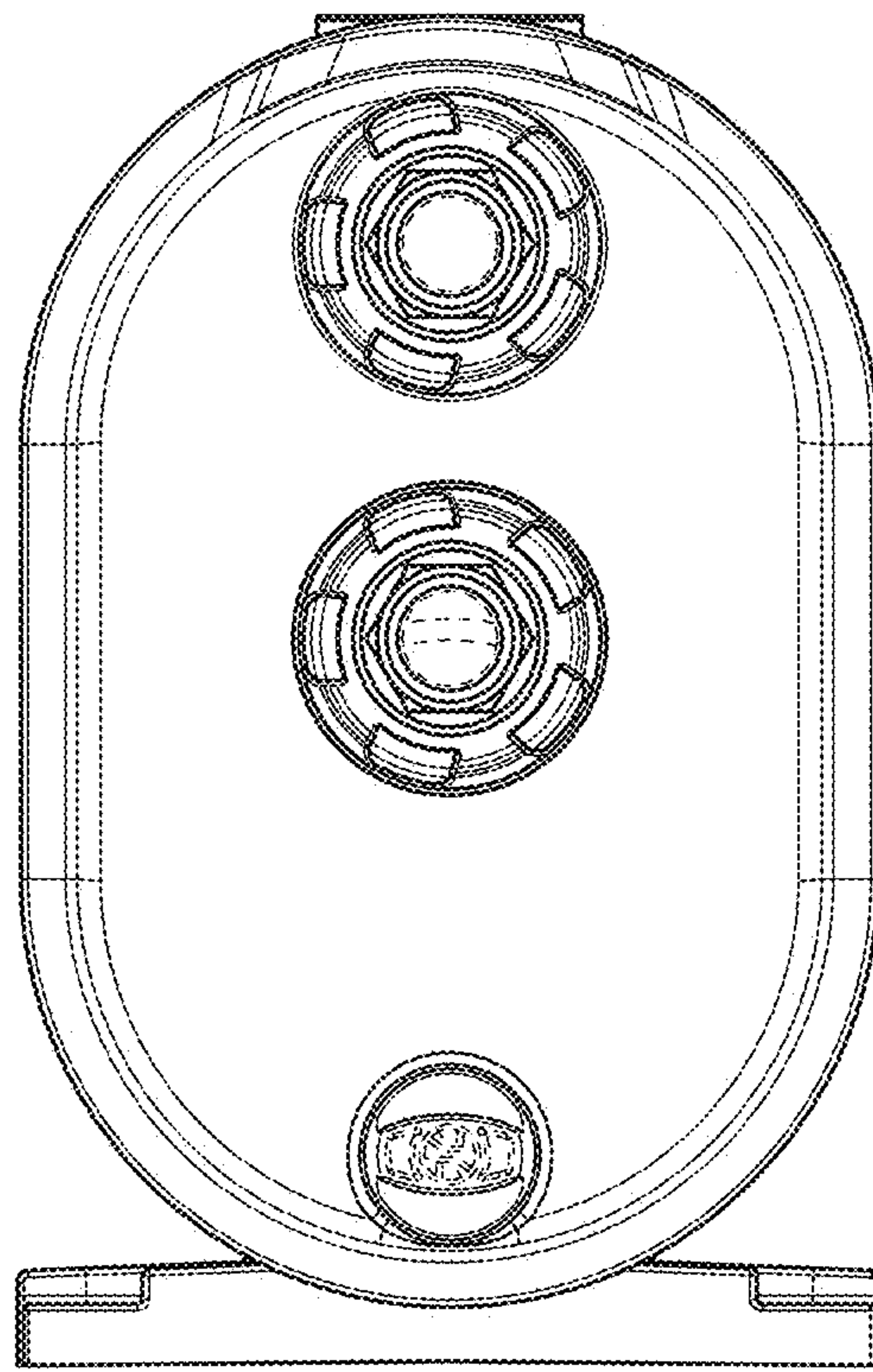


FIG. 10

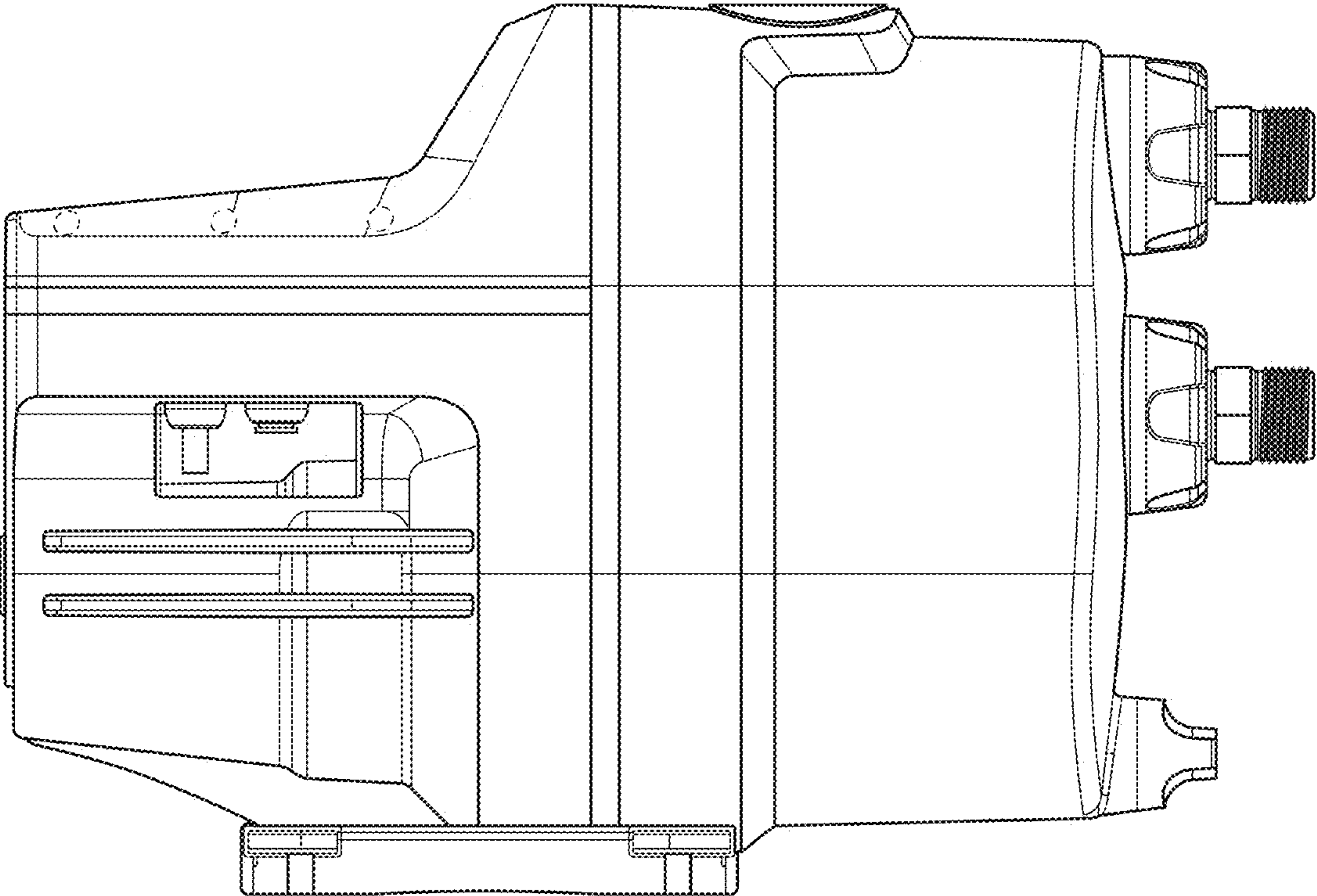


FIG. 11

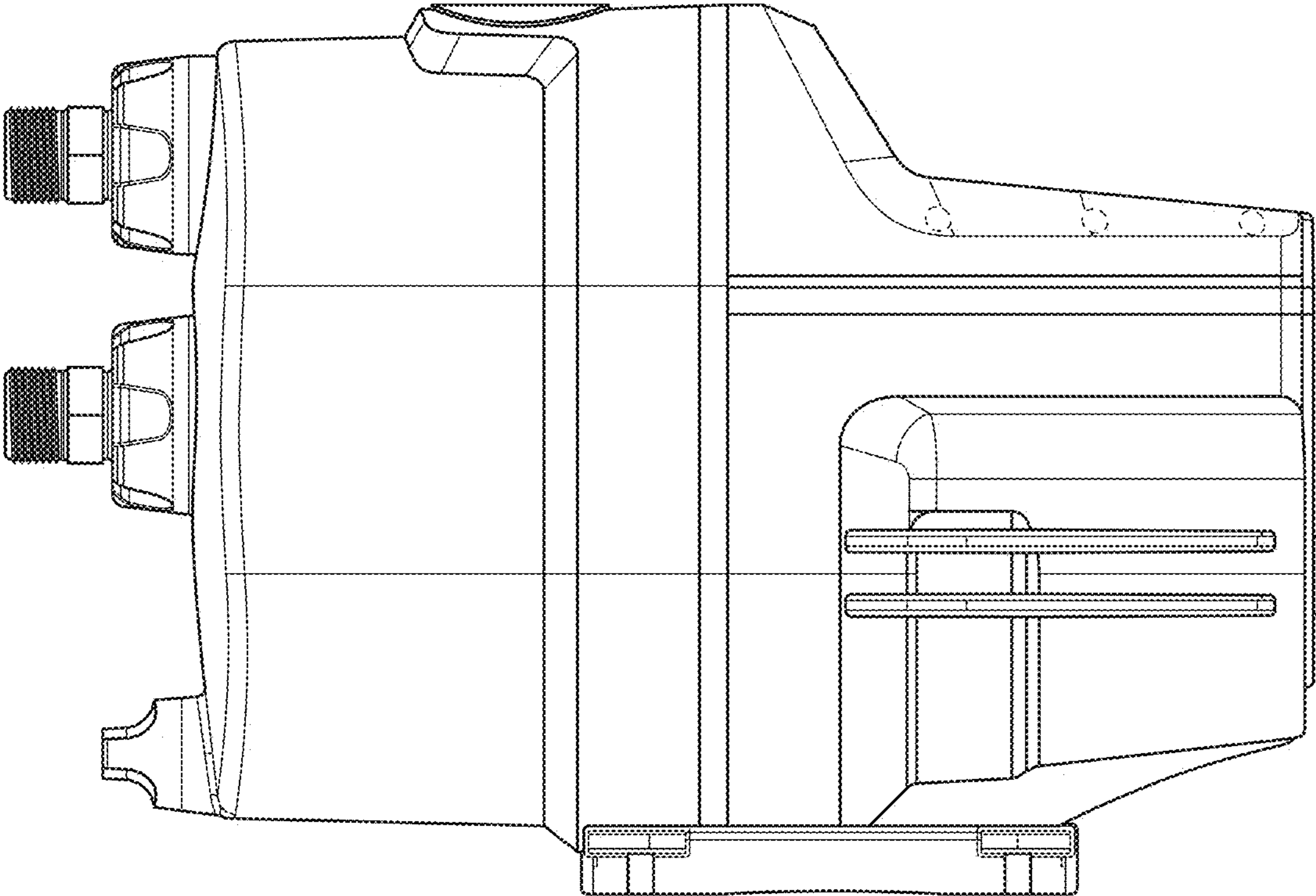


FIG. 12

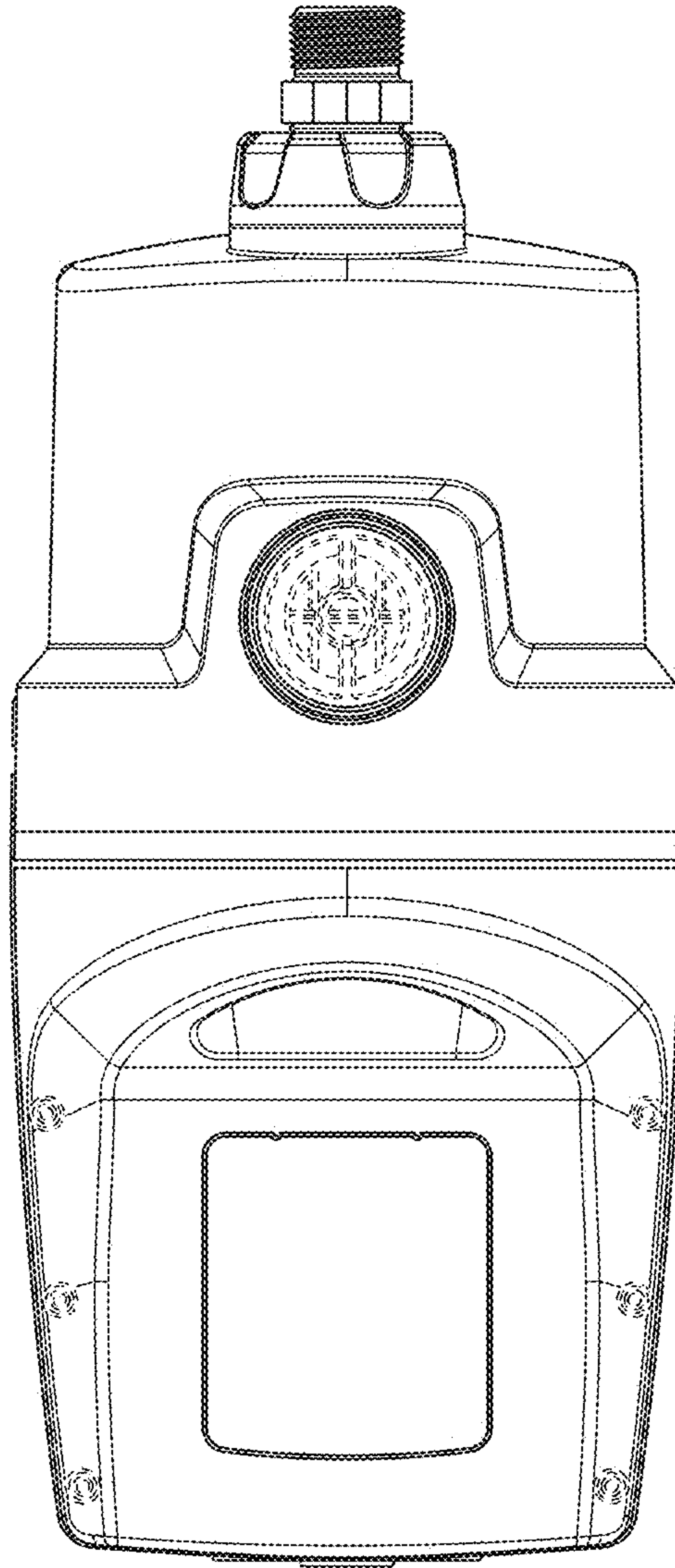


FIG. 13

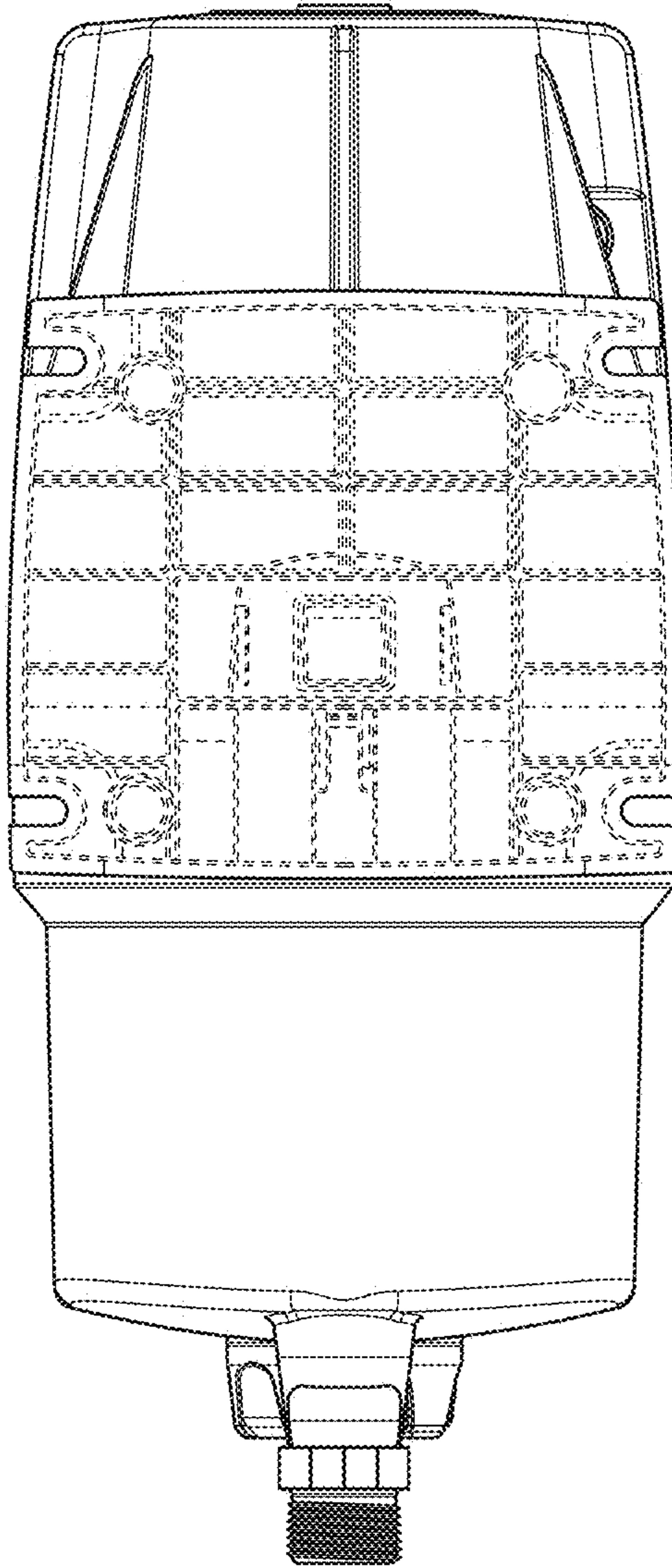


FIG. 14