



US00D978915S

(12) **United States Design Patent** (10) **Patent No.:** **US D978,915 S**
Dralle et al. (45) **Date of Patent:** **** Feb. 21, 2023**

(54) **PANEL FOR INTAKE MANIFOLD**

FOREIGN PATENT DOCUMENTS

(71) Applicant: **Holley Performance Products, Inc.**,
Bowling Green, KY (US)

AU 341122 2/2012
AU 201717286 12/2017

(Continued)

(72) Inventors: **James D. Dralle**, Bowling Green, KY
(US); **Corey D. Spainhoward**, Bowling
Green, KY (US)

OTHER PUBLICATIONS

Design U.S. Appl. No. 29/605,771, filed May 30, 2017 titled
“Exhaust Manifold”.

(Continued)

(73) Assignee: **Holley Performance Products, Inc.**,
Bowling Green, KY (US)

(**) Term: **15 Years**

Primary Examiner — Ania Aman

(21) Appl. No.: **29/847,434**

(74) *Attorney, Agent, or Firm* — Dinsmore & Shohl LLP

(22) Filed: **Jul. 25, 2022**

Related U.S. Application Data

(62) Division of application No. 29/713,627, filed on Nov.
18, 2019, now Pat. No. Des. 958,839.

(51) **LOC (14) Cl.** **15-01**

(52) **U.S. Cl.**
USPC **D15/5**

(58) **Field of Classification Search**
USPC D15/1, 2, 3, 4, 5, 6
CPC F02M 35/104; F02M 35/108; F02M
35/1085; F02M 35/116
See application file for complete search history.

(57) **CLAIM**

We claim, the ornamental design for a panel for intake
manifold, as shown and described.

DESCRIPTION

Cross-reference is made to U.S. Design patent application
Ser. No. 29/713,625, titled “Manifold,” U.S. Design patent
application Ser. No. 29/713,626, titled “Manifold,” U.S.
Design patent application Ser. No. 29/713,628, titled
“Throttle Body Adapter,” all filed on Nov. 18, 2019 and all
of which are expressly incorporated herein by reference.
FIG. 1 is an upper perspective view of a panel for intake
manifold showing our new design;
FIG. 2 is a front view of the design of FIG. 1;
FIG. 3 is a rear view of the design of FIG. 1;
FIG. 4 is a first side view of the design of FIG. 1;
FIG. 5 is a second side view of the design of FIG. 1;
FIG. 6 is a top view of the design of FIG. 1;
FIG. 7 is a bottom view of the design of FIG. 1; and,
FIG. 8 is a lower perspective view of the design of FIG. 1.

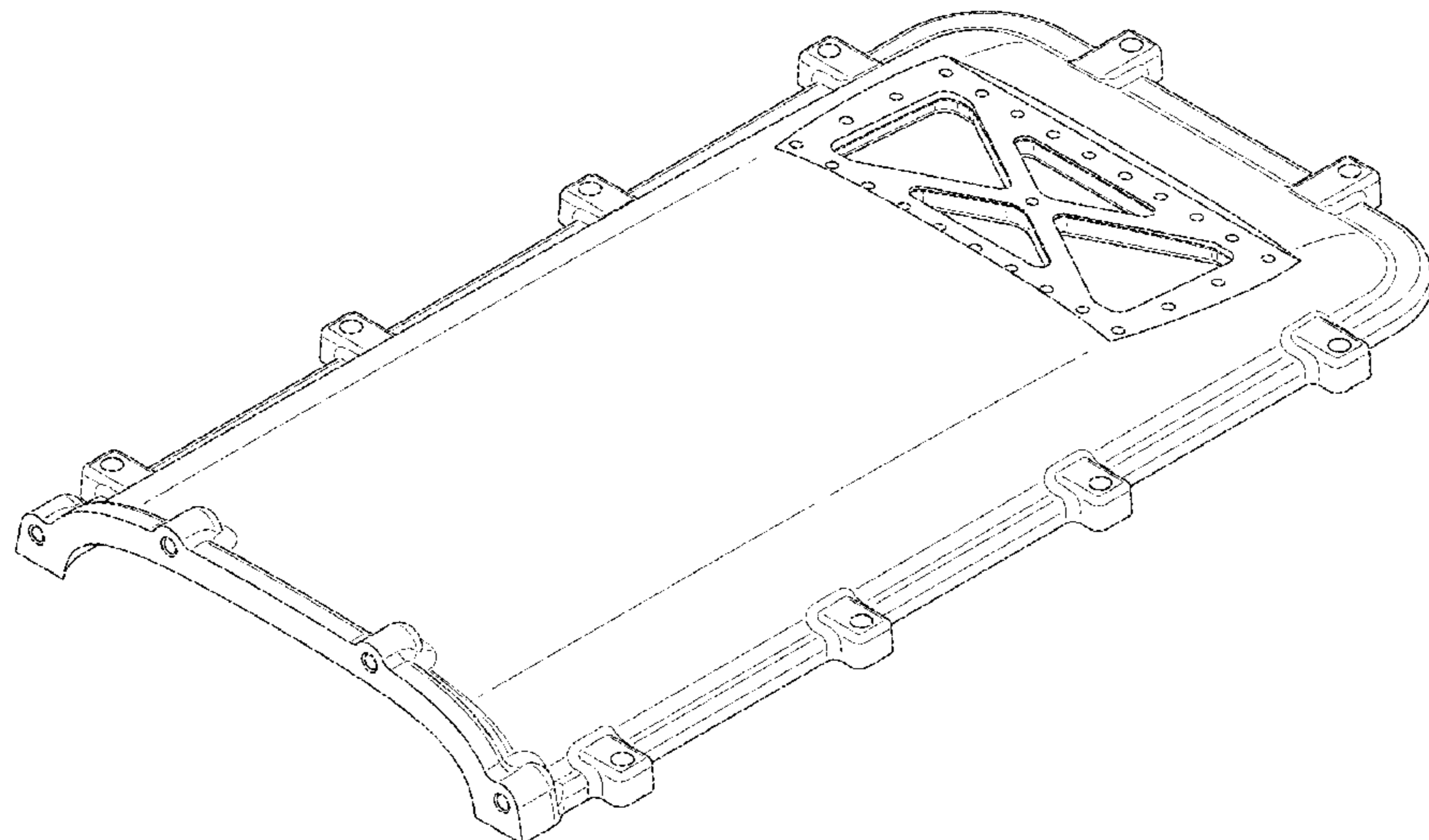
(56) **References Cited**

U.S. PATENT DOCUMENTS

5,094,194 A 3/1992 Rush
5,261,375 A 11/1993 Rush
5,959,263 A 9/1999 Foltz, Jr.
6,394,128 B1 5/2002 Concialdi
D465,790 S 11/2002 Magnuson
6,792,906 B2 9/2004 Grant
7,124,726 B2* 10/2006 Roe F02M 35/10026
123/184.42
7,441,551 B2* 10/2008 Lewis F01M 13/02
123/184.21

(Continued)

1 Claim, 8 Drawing Sheets



(56)

References Cited

U.S. PATENT DOCUMENTS

7,533,661	B2	5/2009	Baasch	
D654,094	S	2/2012	Dralle	
8,567,366	B2 *	10/2013	Reese	F02M 35/116 123/184.21
D794,681	S	8/2017	Newman et al.	
D794,682	S	8/2017	Newman et al.	
D853,920	S	7/2019	Hudnall	
10,385,811	B2	8/2019	Newman	
D868,113	S *	11/2019	Trudeau	D15/5
D886,701	S	6/2020	Hudnall	
10,738,683	B2 *	8/2020	Whipple	F02B 29/0412
D900,873	S	11/2020	Hudnall	
D901,539	S	11/2020	Hudnall	
D902,256	S	11/2020	Hudnall	
D958,839	S	7/2022	Dralle	
2003/0101957	A1	6/2003	Benson	
2004/0094111	A1	5/2004	Concialdi	
2009/0260906	A1	10/2009	Harland	
2010/0077981	A1 *	4/2010	Mamo	F02M 35/10222 123/184.21
2016/0237961	A1	8/2016	Callaway	
2017/0067424	A1 *	3/2017	Krogdahl	F02M 35/10347
2017/0218891	A1	8/2017	Zoner	
2019/0360438	A1	11/2019	Tiramani	

FOREIGN PATENT DOCUMENTS

AU	201717292	12/2017
AU	201717296	12/2017
AU	201811295	5/2018
AU	201812792	6/2018
AU	201910218	3/2019
AU	201910224	3/2019
AU	201910225	3/2019
AU	201911575	4/2019
AU	201911576	4/2019
AU	201911578	4/2019
AU	2015338922	11/2019
AU	202010280	3/2020
AU	202010291	3/2020
AU	202010326	4/2020
AU	202012463	6/2020
AU	202012810	8/2020

AU	202012813	8/2020
AU	202012814	8/2020
AU	202012815	8/2020
AU	202012817	8/2020
AU	202012818	8/2020
AU	202013437	10/2020
AU	202015398	11/2020
AU	202015399	11/2020
AU	202112130	4/2021
AU	202112132	4/2021
AU	202112133	5/2021

OTHER PUBLICATIONS

Design U.S. Appl. No. 29/795,969, filed Jun. 22, 2021 titled "Manifold".

Design U.S. Appl. No. 29/699,715, filed Jul. 29, 2019 titled Manifold.

Design U.S. Appl. No. 29/713,834, filed Nov. 19, 2019 titled Manifold.

Design U.S. Appl. No. 29/713,833, filed Nov. 19, 2019 titled Manifold.

Design U.S. Appl. No. 29/713,626, filed Nov. 18, 2019 titled Manifold.

Design U.S. Appl. No. 29/755,372, filed Oct. 20, 2020 titled Manifold.

Design U.S. Appl. No. 29/713,625, filed Nov. 18, 2019 titled Manifold.

Design U.S. Appl. No. 29/747,341, filed Aug. 21, 2020 titled Manifold.

Design U.S. Appl. No. 29/755,371, filed Oct. 20, 2020 titled Manifold.

Design U.S. Appl. No. 29/718,592, filed Dec. 26, 2019 titled Manifold.

Design U.S. Appl. No. 29/658,718, filed Aug. 2, 2018 titled Cooling Manifold.

Design U.S. Appl. No. 29/707,393, filed Sep. 27, 2019 titled Cooling Manifold.

Design U.S. Appl. No. 29/755,373, filed Oct. 20, 2020 titled Manifold Adapter.

Design U.S. Appl. No. 29/713,628, filed Nov. 18, 2019 titled Throttle Body Adapter.

Holley 2017 New & Hot Products 2016.

* cited by examiner

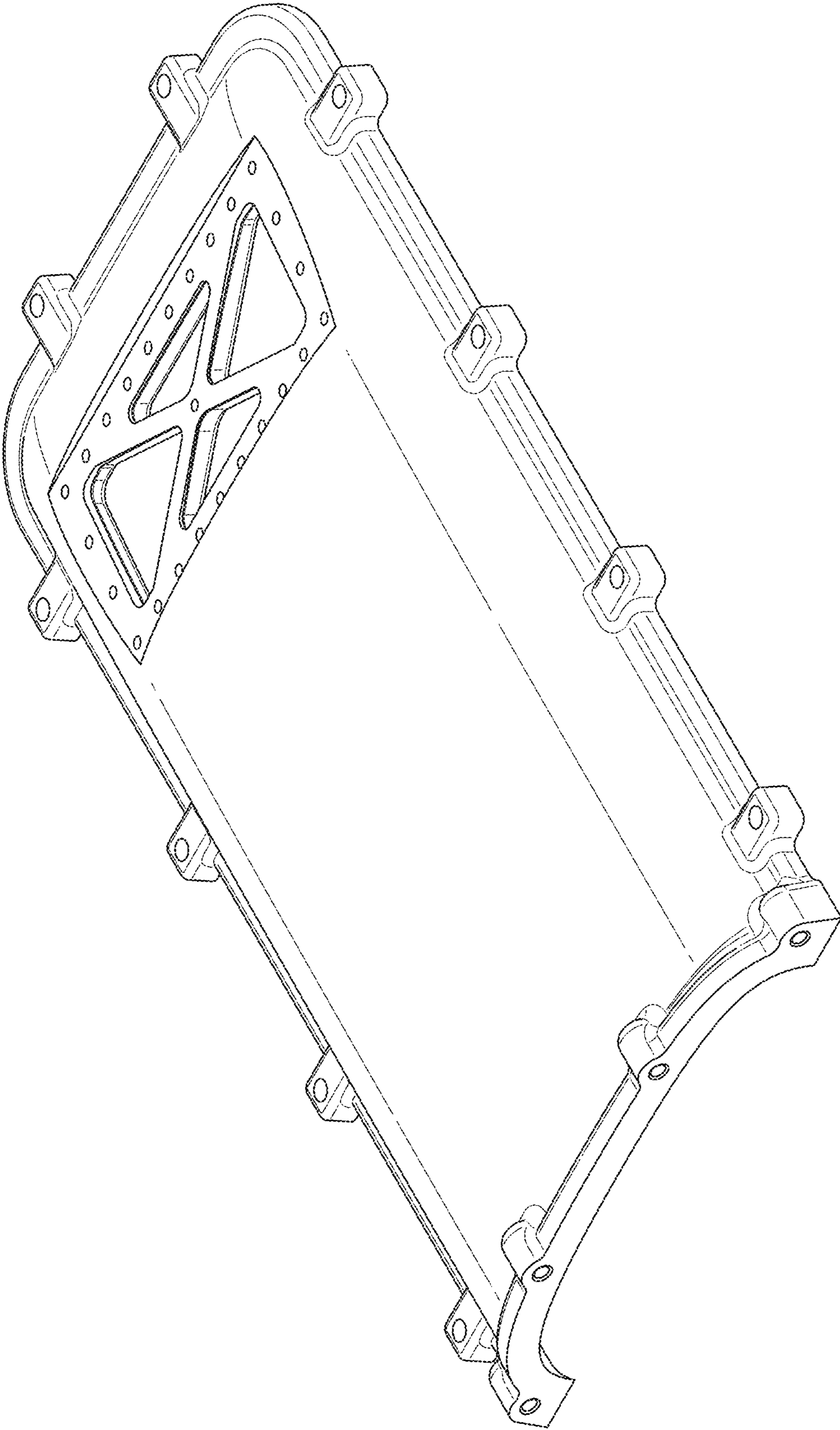


FIG. 1

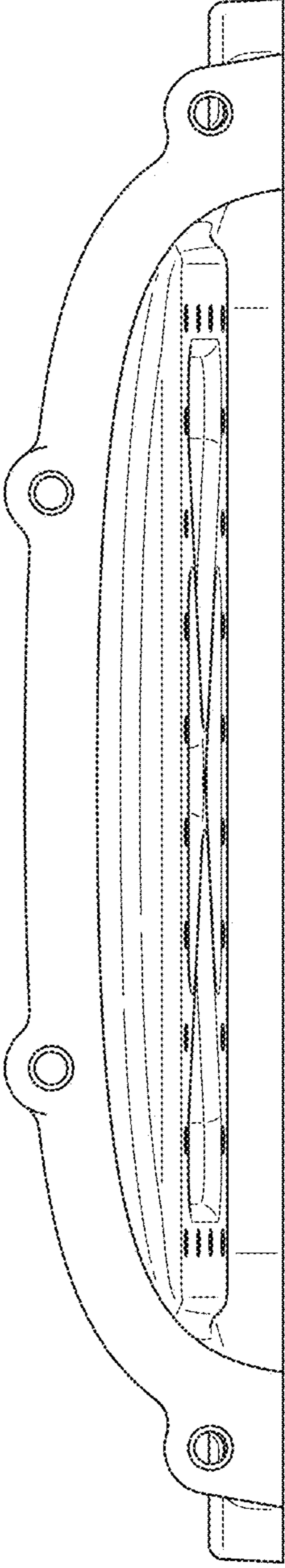


FIG. 2

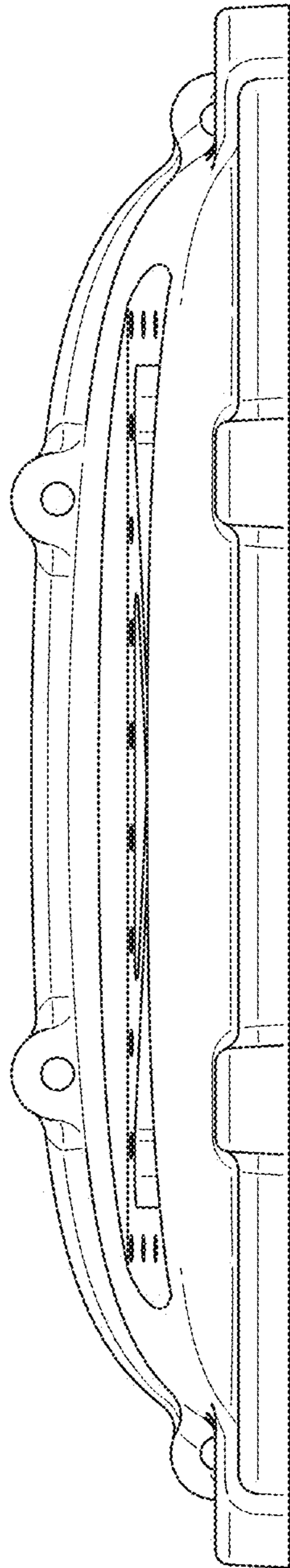


FIG. 3

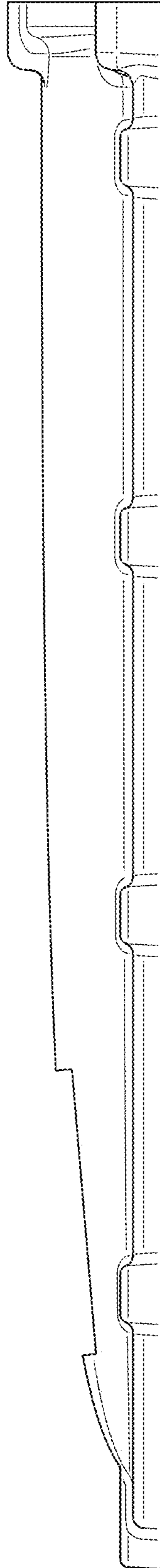


FIG. 4

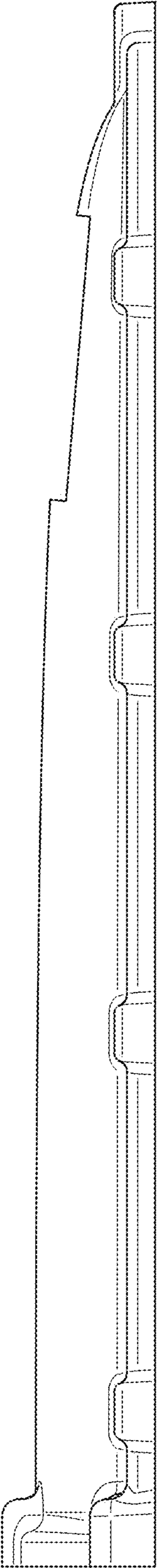


FIG. 5

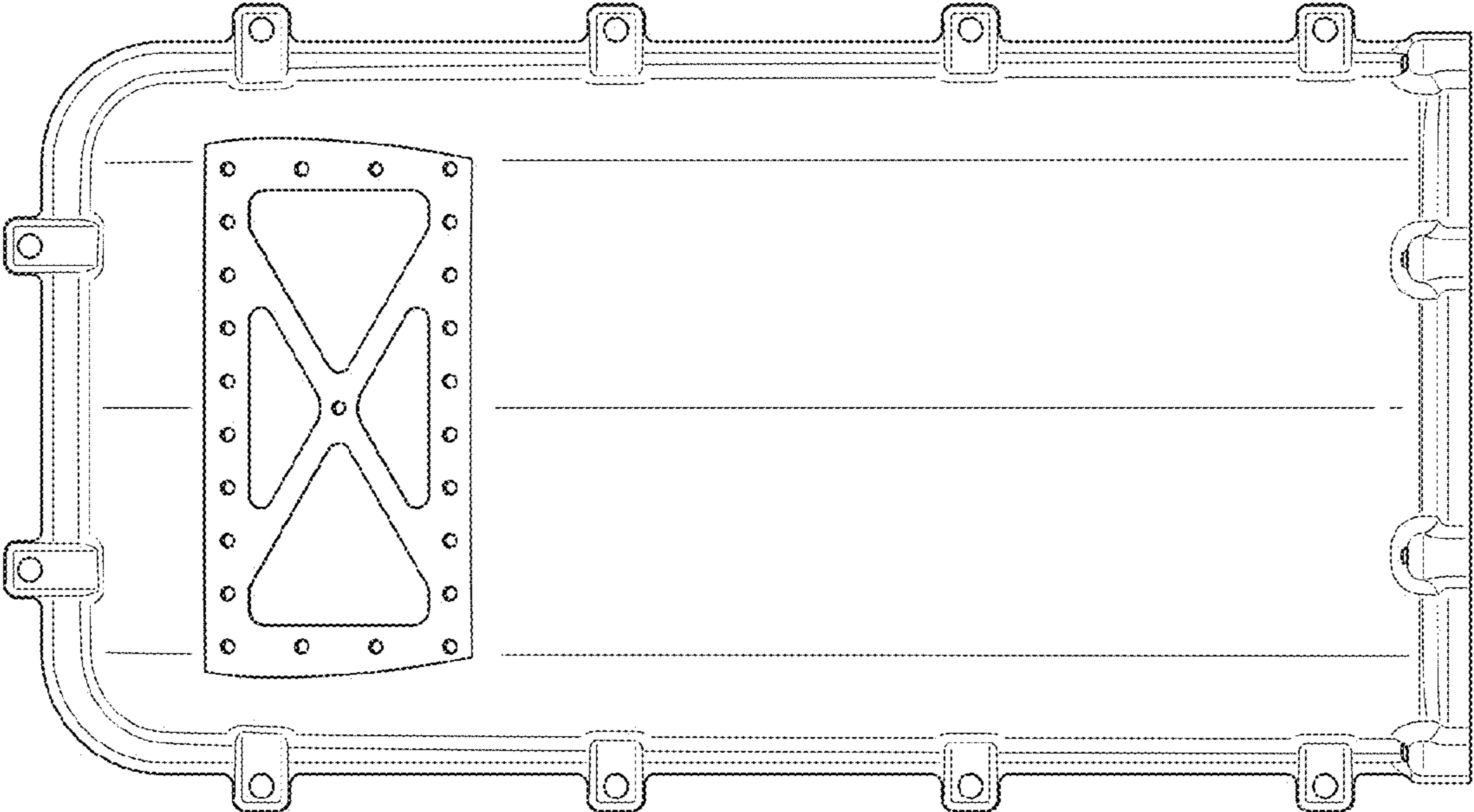


FIG. 6

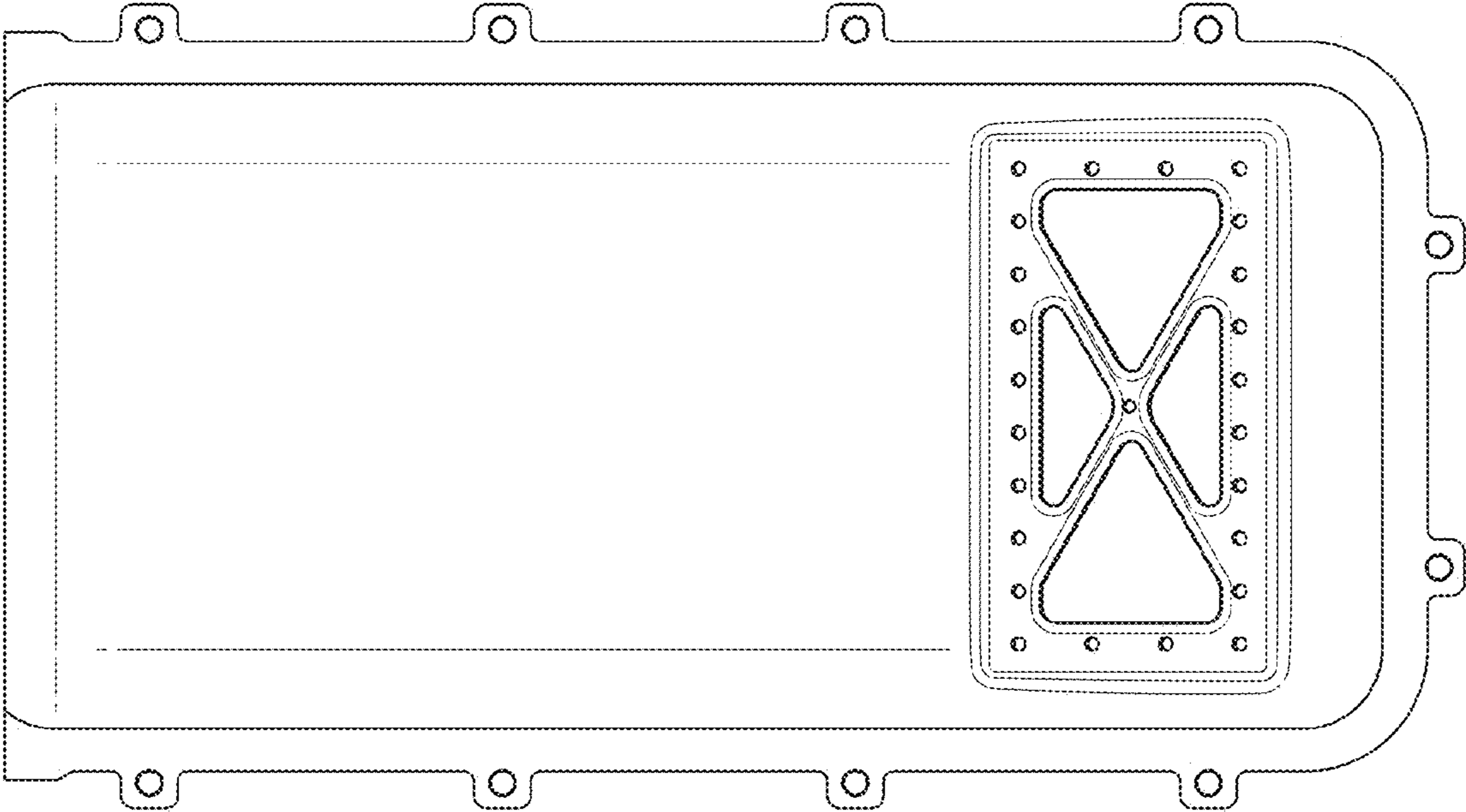


FIG. 7

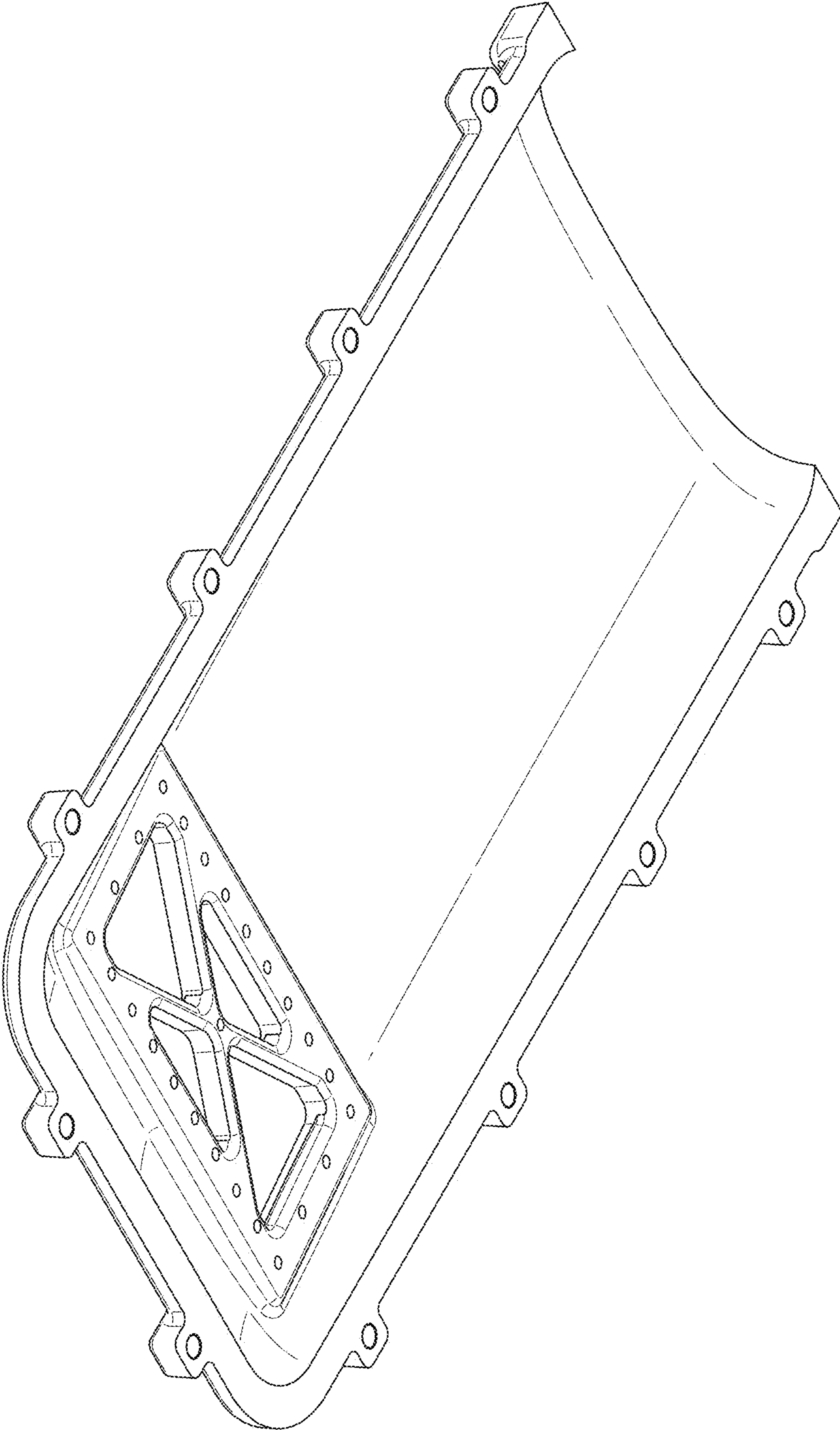


FIG. 8