



US00D978912S

(12) **United States Design Patent** (10) **Patent No.:** **US D978,912 S**  
**Choi** (45) **Date of Patent:** **\*\* \*Feb. 21, 2023**

(54) **BOOK-SHAPED VIRTUAL REALITY VIEWING DEVICE**

(71) Applicant: **Hae-Yong Choi**, Seoul (KR)

(72) Inventor: **Hae-Yong Choi**, Seoul (KR)

(73) Assignee: **MOCOMTECH CO., LTD**, Dongducheon-si (KR)

(\* ) Notice: This patent is subject to a terminal disclaimer.

(\*\*) Term: **15 Years**

(21) Appl. No.: **29/717,194**

(22) Filed: **Dec. 16, 2019**

(51) **LOC (14) Cl.** ..... **14-03**

(52) **U.S. Cl.**  
USPC ..... **D14/496**

(58) **Field of Classification Search**  
USPC ..... D14/155–159, 160–173, 187–188,  
D14/203.1–203.8, 204–216, 217–222,  
D14/223, 225–229, 496, 299, 372;  
D19/26, 28

CPC ..... H04R 1/02; H04R 1/021; H04R 1/023;  
H04R 5/00; H04R 9/06; H04R 2420/07  
See application file for complete search history.

(56) **References Cited**

**U.S. PATENT DOCUMENTS**

- D515,625 S \* 2/2006 Loo ..... D19/26
- D539,843 S \* 4/2007 Baker ..... D19/26
- D594,848 S \* 6/2009 Imawaki ..... D14/172
- D609,696 S \* 2/2010 Martinez ..... D14/209.1
- D642,615 S \* 8/2011 Naimi ..... D19/26

- D657,417 S \* 4/2012 Naimi ..... D19/26
- D691,653 S \* 10/2013 Benadon ..... D19/26
- D761,910 S \* 7/2016 Beeler ..... D19/26
- 9,415,621 B2 \* 8/2016 Fahrer ..... B42D 1/004
- D821,491 S \* 6/2018 Park ..... D19/26
- 10,203,773 B2 \* 2/2019 Hviid ..... B65D 85/70
- D882,392 S \* 4/2020 Haines ..... D9/420
- D929,240 S \* 8/2021 Choi ..... D9/722
- 2007/0199851 A1 \* 8/2007 Yau ..... B42D 3/123  
206/472

**FOREIGN PATENT DOCUMENTS**

- JP D1671334 \* 11/2020
- KR 3020190001365 \* 10/2019

\* cited by examiner

*Primary Examiner* — Messina L Smith

*Assistant Examiner* — Aram Kwon

(74) *Attorney, Agent, or Firm* — John K. Park; Park Law Firm

(57) **CLAIM**

The ornamental design for a book-shaped virtual reality viewing device, as shown and described.

**DESCRIPTION**

FIG. 1 is a perspective view of a book-shaped virtual reality viewing device showing my new design;  
FIG. 2 is a top plan view thereof;  
FIG. 3 is a bottom plan view thereof;  
FIG. 4 is a left side view thereof;  
FIG. 5 is a right side view thereof;  
FIG. 6 is a front view thereof; and,  
FIG. 7 is a rear view of the book-shaped virtual reality viewing device.

**1 Claim, 6 Drawing Sheets**

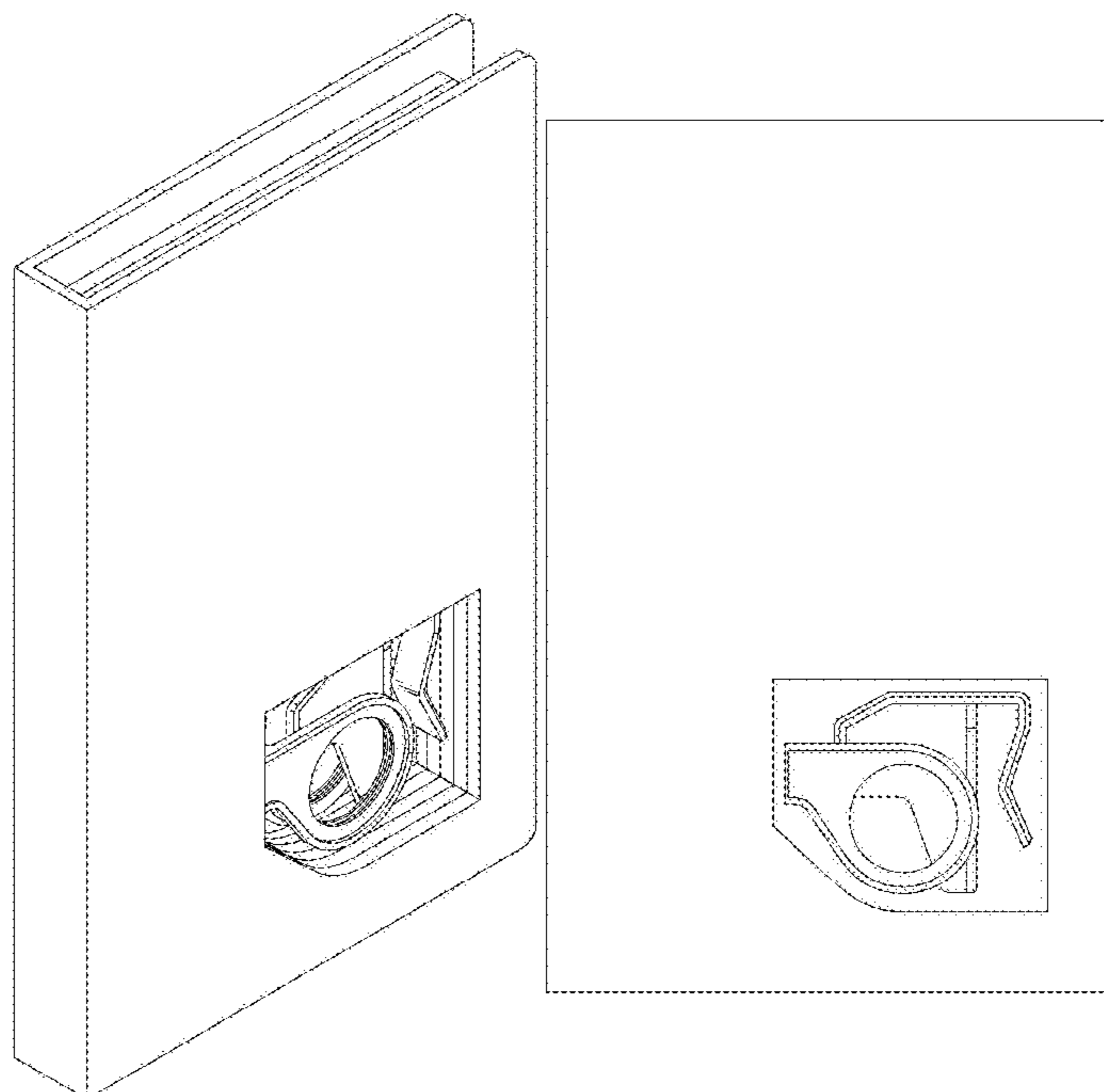


Fig. 1

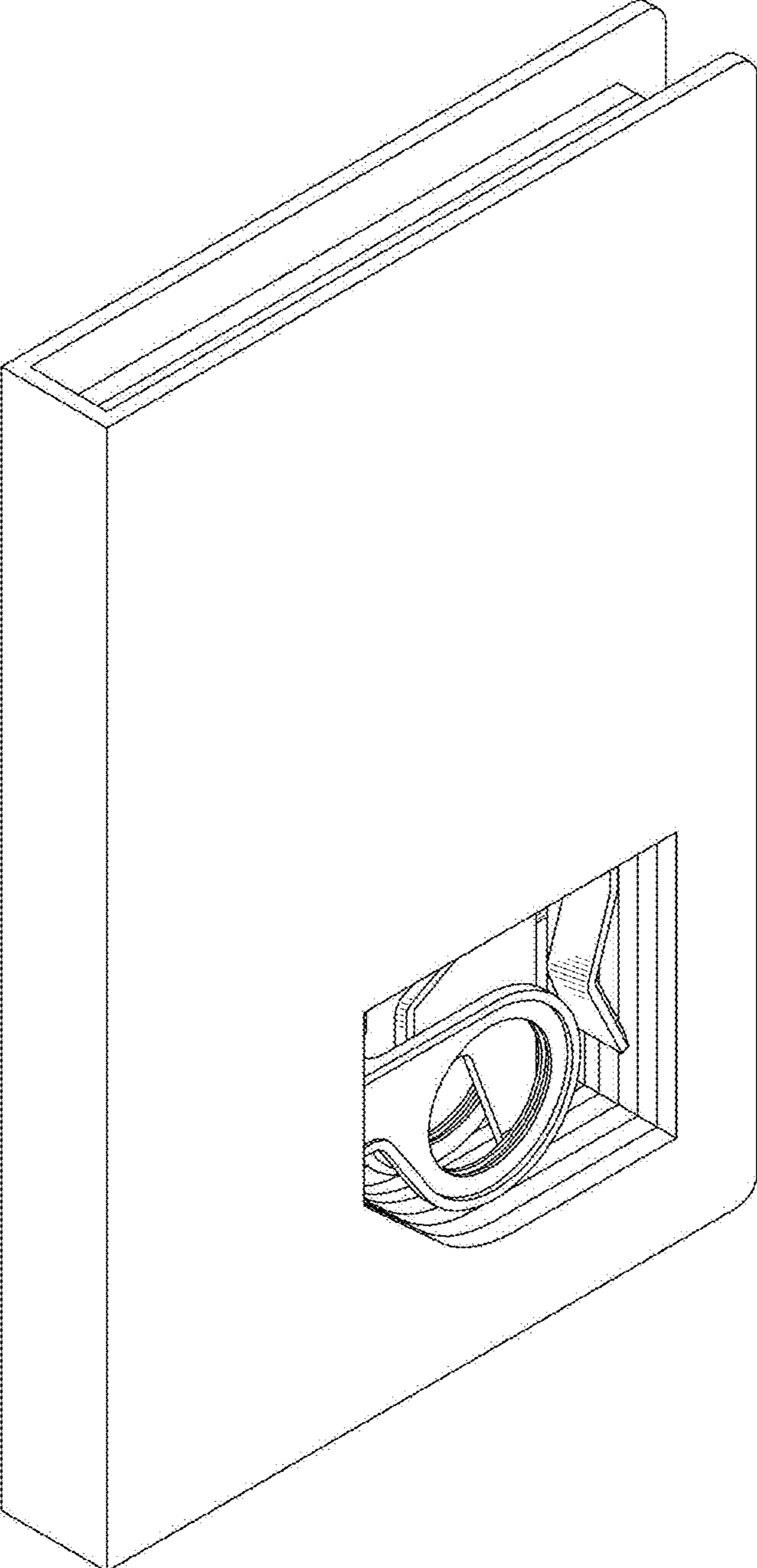


Fig. 2

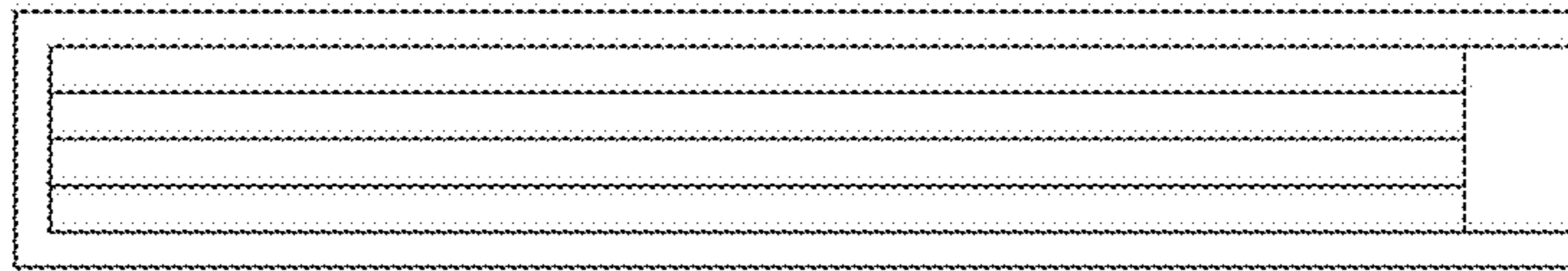


Fig. 3

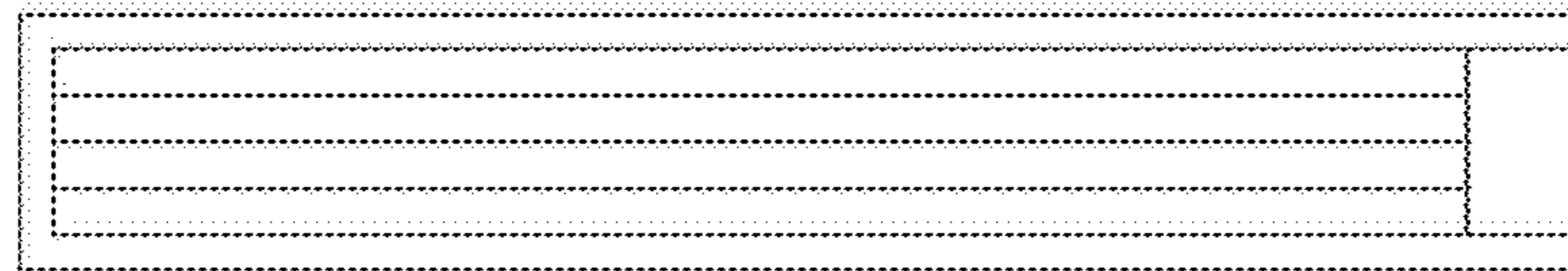


Fig. 4

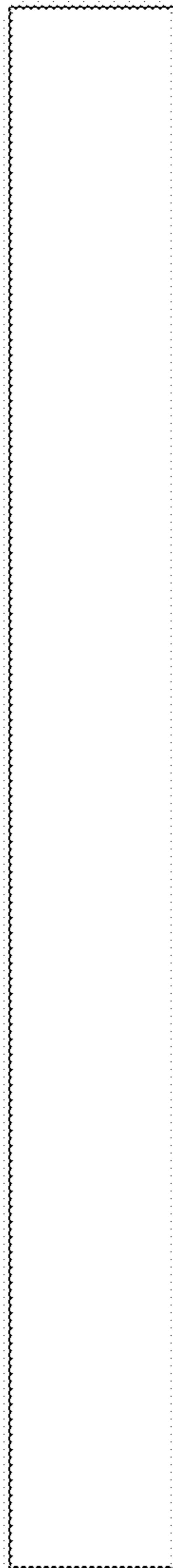


Fig. 5

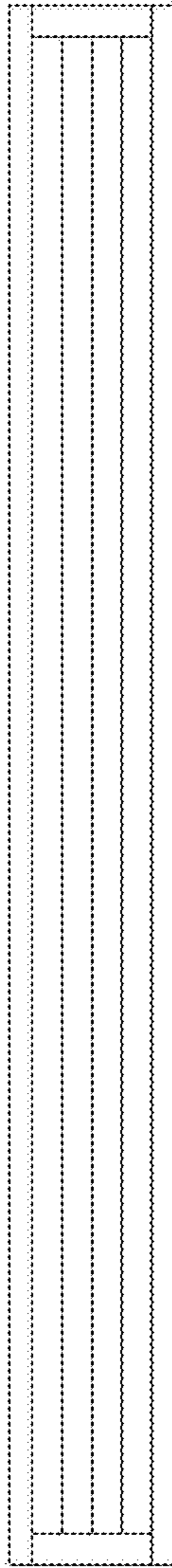


Fig. 6

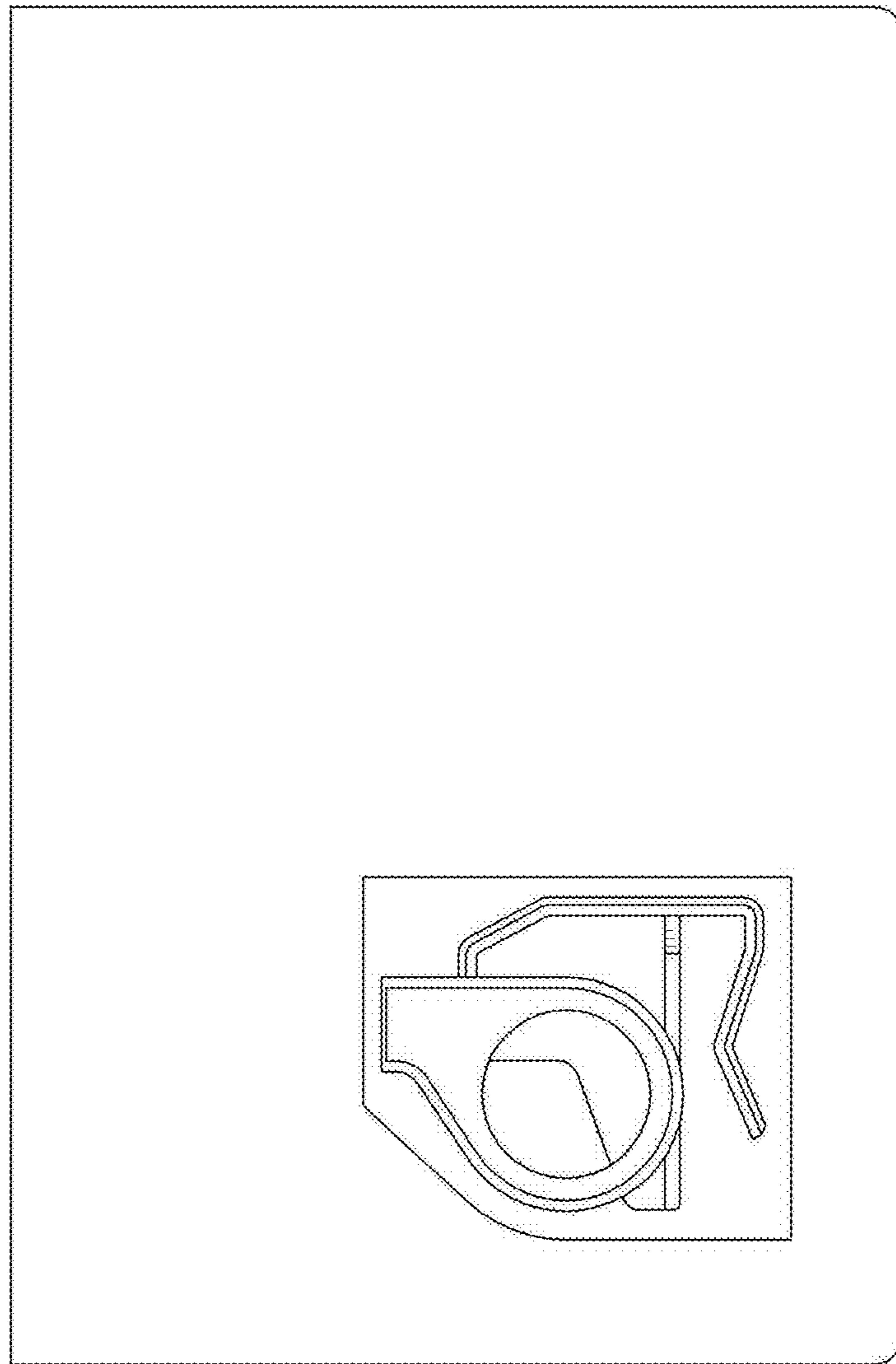


Fig. 7

