



US00D978908S

(12) **United States Design Patent** (10) **Patent No.:** **US D978,908 S**
Cohen et al. (45) **Date of Patent:** **** *Feb. 21, 2023**

(54) **DISPLAY SCREEN OR PORTION THEREOF WITH ANIMATED GRAPHICAL USER INTERFACE**

(71) Applicant: **monday.com Ltd.**, Tel Aviv (IL)

(72) Inventors: **Shay Cohen**, Giv'atayim (IL); **Shirley Baumer**, Tel Aviv (IL)

(73) Assignee: **monday.com Ltd.**, Tel Aviv (IL)

(*) Notice: This patent is subject to a terminal disclaimer.

(**) Term: **15 Years**

(21) Appl. No.: **29/839,287**

(22) Filed: **May 19, 2022**

Related U.S. Application Data

(62) Division of application No. 29/714,127, filed on Nov. 21, 2019, now Pat. No. Des. 963,663.

(51) **LOC (14) Cl.** **14-04**

(52) **U.S. Cl.**
USPC **D14/489**

(58) **Field of Classification Search**
USPC D14/485-495

(Continued)

(56) **References Cited**

U.S. PATENT DOCUMENTS

D557,272 S 12/2007 Glaser et al.
D558,220 S 12/2007 Maitlen et al.

(Continued)

FOREIGN PATENT DOCUMENTS

GB 90079607110001 5/2020
JP D1711749 4/2022

OTHER PUBLICATIONS

Campbell-Wilson, Gavin "Great Success" Sep. 27, 2018, Dribbble, site visited Sep. 7, 2022: <https://dribbble.com/shots/5315437-Great-Success> (Year: 2018).*

(Continued)

Primary Examiner — Katherine A Holbrow

Assistant Examiner — Christopher M Spivey

(74) *Attorney, Agent, or Firm* — Pearl Cohen Zedek Latzer Baratz LLP

(57) **CLAIM**

The ornamental design for a display screen or portion thereof with animated graphical user interface, as shown and described.

DESCRIPTION

The file of this patent contains at least one drawing/photograph executed in color. Copies of this patent with color drawing(s)/photograph(s) will be provided by the Office Upon request and payment of the necessary fee.

FIG. 1 is a face view of a first image in a sequence of a first embodiment of a design for a display screen or portion thereof with animated graphical user interface, in color;

FIG. 2 is a face view of a second image thereof;

FIG. 3 is a face view of a third image thereof;

FIG. 4 is a face view of a fourth image thereof;

FIG. 5 is a face view of a fifth image thereof;

FIG. 6 is a face view of a sixth image thereof;

FIG. 7 is a face view of a first image in a sequence of a second embodiment of a design for a display screen or portion thereof with animated graphical user interface, in greyscale;

FIG. 8 is a face view of a second image thereof;

FIG. 9 is a face view of a third image thereof;

FIG. 10 is a face view of a fourth image thereof;

FIG. 11 is a face view of a fifth image thereof;

FIG. 12 is a face view of a sixth image thereof;

FIG. 13 is a face view of a first image in a sequence of a third embodiment of a design for a display screen or portion thereof with animated graphical user interface, in color;

(Continued)

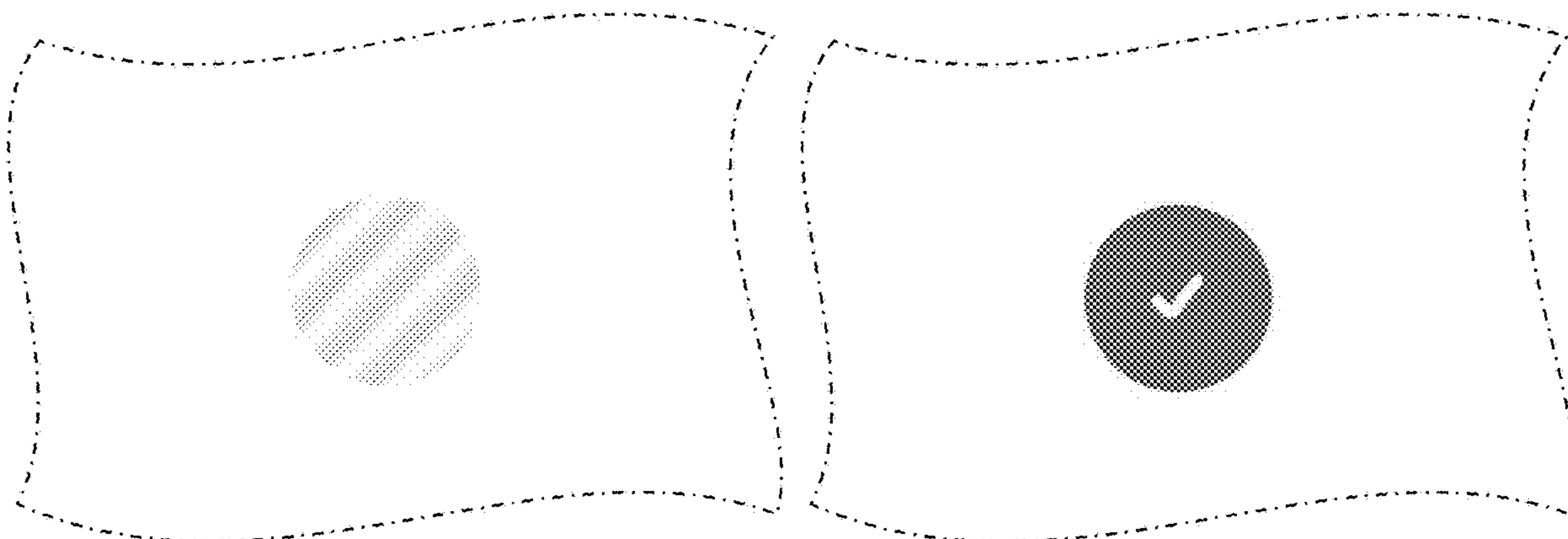


FIG. 14 is a face view of a second image thereof;
 FIG. 15 is a face view of a third image thereof;
 FIG. 16 is a face view of a fourth image thereof;
 FIG. 17 is a face view of a fifth image thereof;
 FIG. 18 is a face view of a sixth image thereof;
 FIG. 19 is a face view of a first image in a sequence of a fourth embodiment of a design for a display screen or portion thereof with animated graphical user interface, in greyscale;
 FIG. 20 is a face view of a second image thereof;
 FIG. 21 is a face view of a third image thereof;
 FIG. 22 is a face view of a fourth image thereof;
 FIG. 23 is a face view of a fifth image thereof; and,
 FIG. 24 is a face view of a sixth image thereof.
 The appearance of the animated user interface sequentially transitions between the images shown in FIGS. 1-6, between the images shown in FIGS. 7-12, between the images shown in FIGS. 13-18, and between the images shown in FIGS. 19-24. The process or period in which one image transitions to another forms no part of the claimed design. The line-dot-line showing of a display screen or portion thereof forms no part of the claimed design. The text shown in broken line in FIGS. 14-18 and 20-24 forms no part of the claimed design.

**1 Claim, 12 Drawing Sheets
 (6 of 12 Drawing Sheet(s) Filed in Color)**

(58) **Field of Classification Search**

CPC H04W 12/06; G06T 13/80; G04F 10/00;
 G06F 1/3206; G06F 21/31; G06F
 2203/04806; G06F 3/04883; G06F 3/048;
 G06F 3/0481; G06F 3/04817; G06F
 3/0482; G06F 3/0483; G06F 3/04842;
 G06F 3/0485; G06F 3/04855; G06F
 3/0486; G06F 3/0488; G06F 3/04886;
 G06F 40/103; G06F 40/106

See application file for complete search history.

(56) **References Cited**

U.S. PATENT DOCUMENTS

8,560,966 B2 10/2013 Cotterill
 D706,291 S * 6/2014 Yang D14/489
 D712,920 S 9/2014 Sloo et al.
 D732,062 S 6/2015 Kwon
 D737,325 S 8/2015 Kim
 D743,432 S 11/2015 Sergeev
 D756,379 S 5/2016 Apodaca
 D762,673 S 8/2016 Seo
 D763,892 S 8/2016 Kisselev et al.
 D768,715 S * 10/2016 Park D14/491
 D776,680 S * 1/2017 Bae D14/485
 D780,781 S 3/2017 Ding et al.
 D783,031 S 4/2017 Kim et al.

D783,633 S 4/2017 Oh
 D784,400 S * 4/2017 Joi D14/488
 D787,527 S 5/2017 Wilberding
 D791,166 S 7/2017 Sandhu et al.
 D801,381 S 10/2017 Park
 D802,603 S * 11/2017 Bickel D14/485
 D803,870 S 11/2017 Landry
 D805,548 S 12/2017 King et al.
 D810,124 S * 2/2018 Wilberding D14/488
 D813,247 S 3/2018 Jahng
 D822,692 S * 7/2018 Loychik D14/486
 D823,892 S 7/2018 Huang
 D831,683 S 10/2018 Ghosh
 D837,237 S 1/2019 Fraser
 D847,854 S 5/2019 Christian
 D855,629 S 8/2019 Arai
 D855,646 S 8/2019 Hohne
 D857,741 S * 8/2019 Akagawa D14/489
 D861,725 S 10/2019 Park
 D866,584 S 11/2019 Burroughs
 D872,128 S 1/2020 Apodaca
 D879,139 S * 3/2020 Stut D14/485
 D888,092 S * 6/2020 Li D14/489
 D888,095 S 6/2020 Nakai
 D888,098 S * 6/2020 Nakai D14/492
 D901,533 S 11/2020 Coffman et al.
 D902,221 S 11/2020 Barlier
 D904,418 S 12/2020 Zimmer
 D905,730 S 12/2020 Newsom
 D913,301 S 3/2021 Liu
 D916,113 S 4/2021 Ilic
 D916,724 S 4/2021 Kim
 D916,819 S 4/2021 Crandall et al.
 D916,881 S 4/2021 Jonasson
 D918,228 S * 5/2021 Ramamurthy D14/485
 D920,352 S * 5/2021 Nakafuji D14/485
 D929,417 S 8/2021 Li
 D936,095 S 11/2021 Ramamurthy
 D937,890 S 12/2021 Behzadi et al.
 D938,982 S * 12/2021 Cui D14/486
 D940,742 S 1/2022 Vickers et al.
 D944,284 S 2/2022 Metzger et al.
 D952,680 S * 5/2022 Parache D14/489
 D956,092 S * 6/2022 Cohen D14/489
 2014/0047362 A1 * 2/2014 Lee G06F 3/04886
 715/762
 2014/0258854 A1 9/2014 Li
 2015/0193196 A1 7/2015 Lin
 2015/0193426 A1 7/2015 Liu
 2022/0261066 A1 * 8/2022 Dryer G06T 7/60

OTHER PUBLICATIONS

“Project Management App” Dec. 9, 2021, Dribbble, site visited Mar. 10, 2022: <https://dribbble.com/shots/17027167—Project-Management-App> (Year: 2021).
 “Resource management with Workload | monday.com tutorials” Dec. 17, 2019, YouTube, site visited Mar. 9, 2022: <https://www.youtube.com/watch?v=wej4ohEeCdw> (Year: 2019).
 Tobias, Ben “Elevate Dash” Apr. 29, 2015, Dribbble, site visited Feb. 3, 2022: <https://dribbble.com/shots/2042090-Elevate-Dash> (Year: 2015).

* cited by examiner

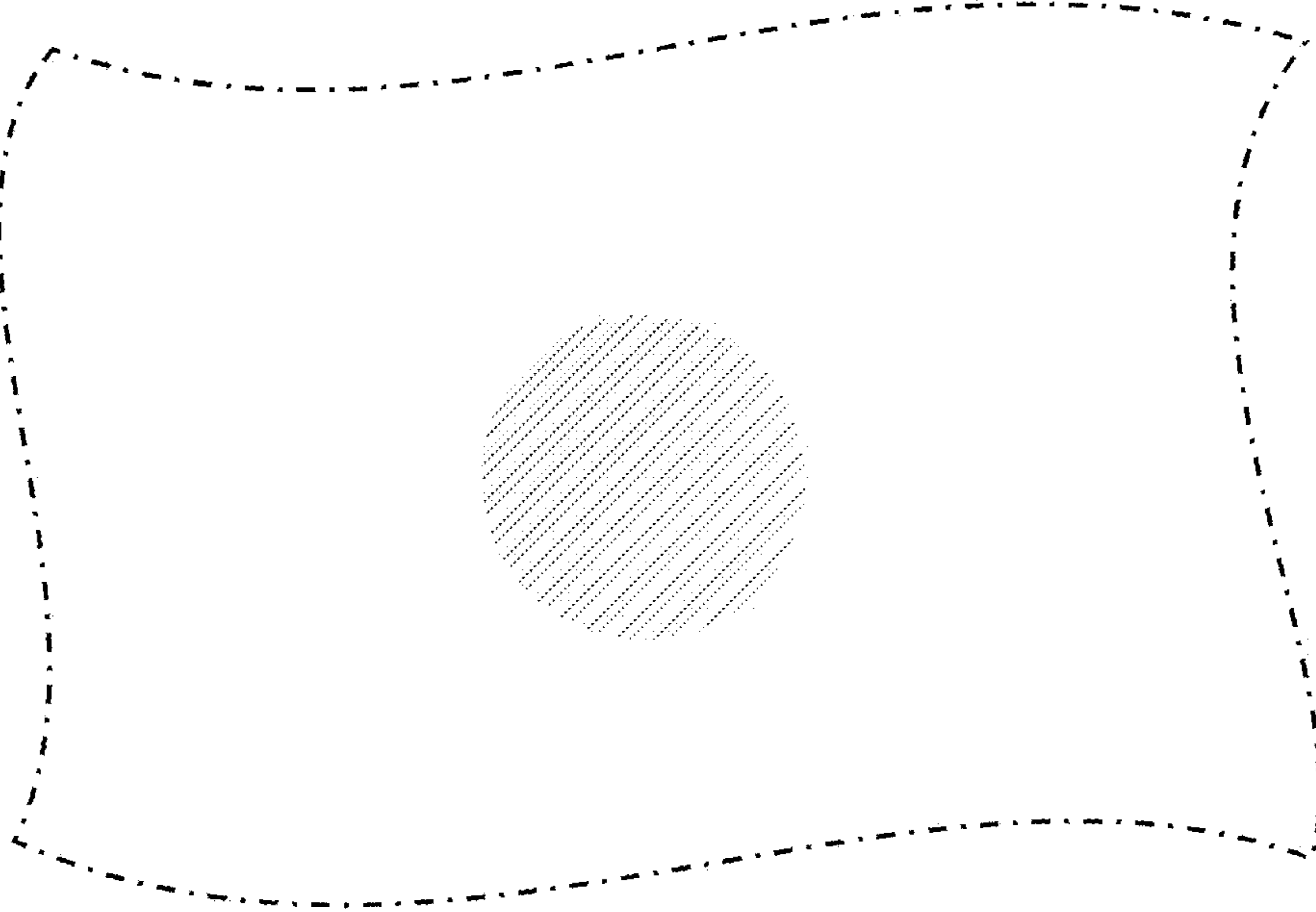


FIG. 1

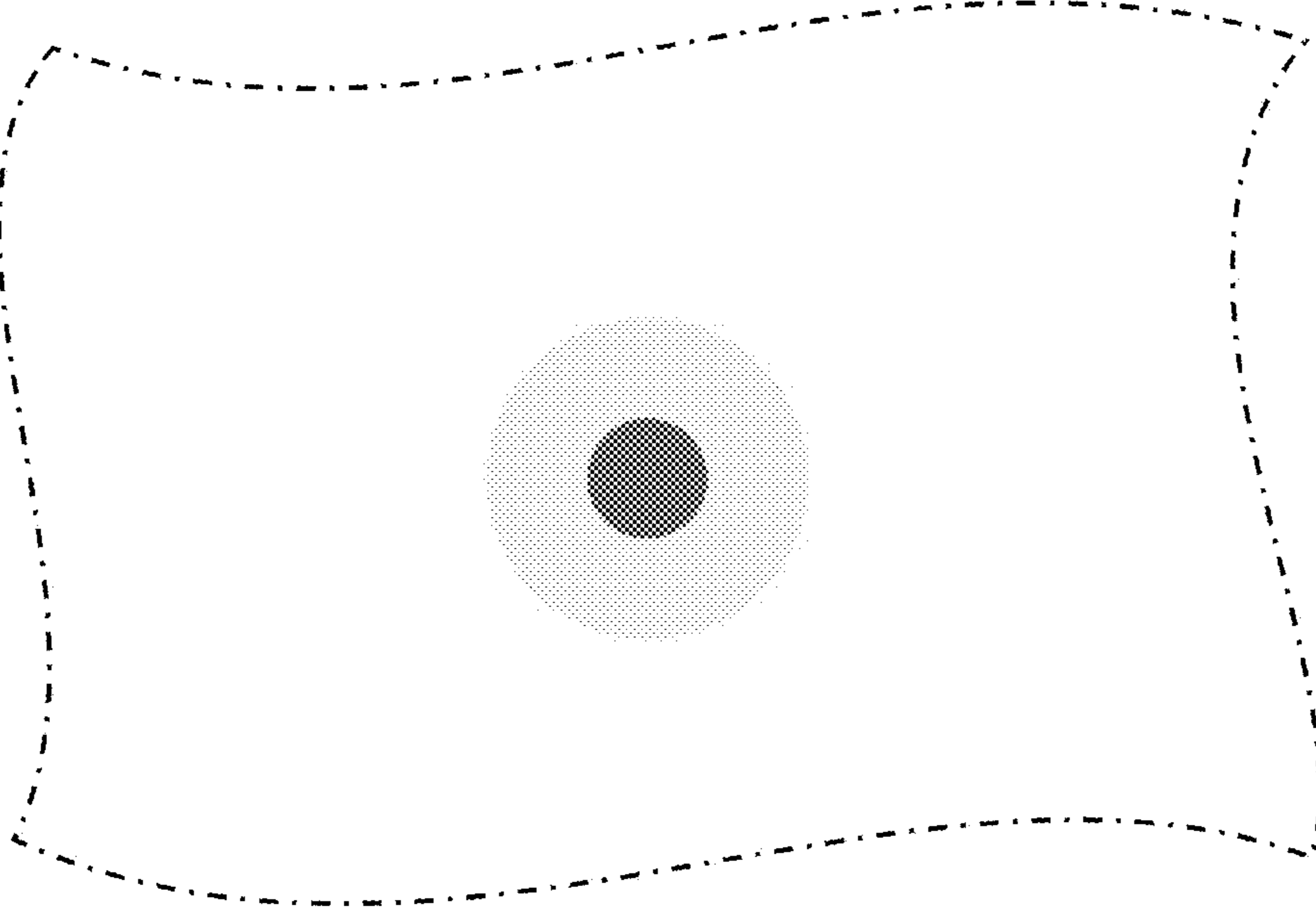


FIG. 2

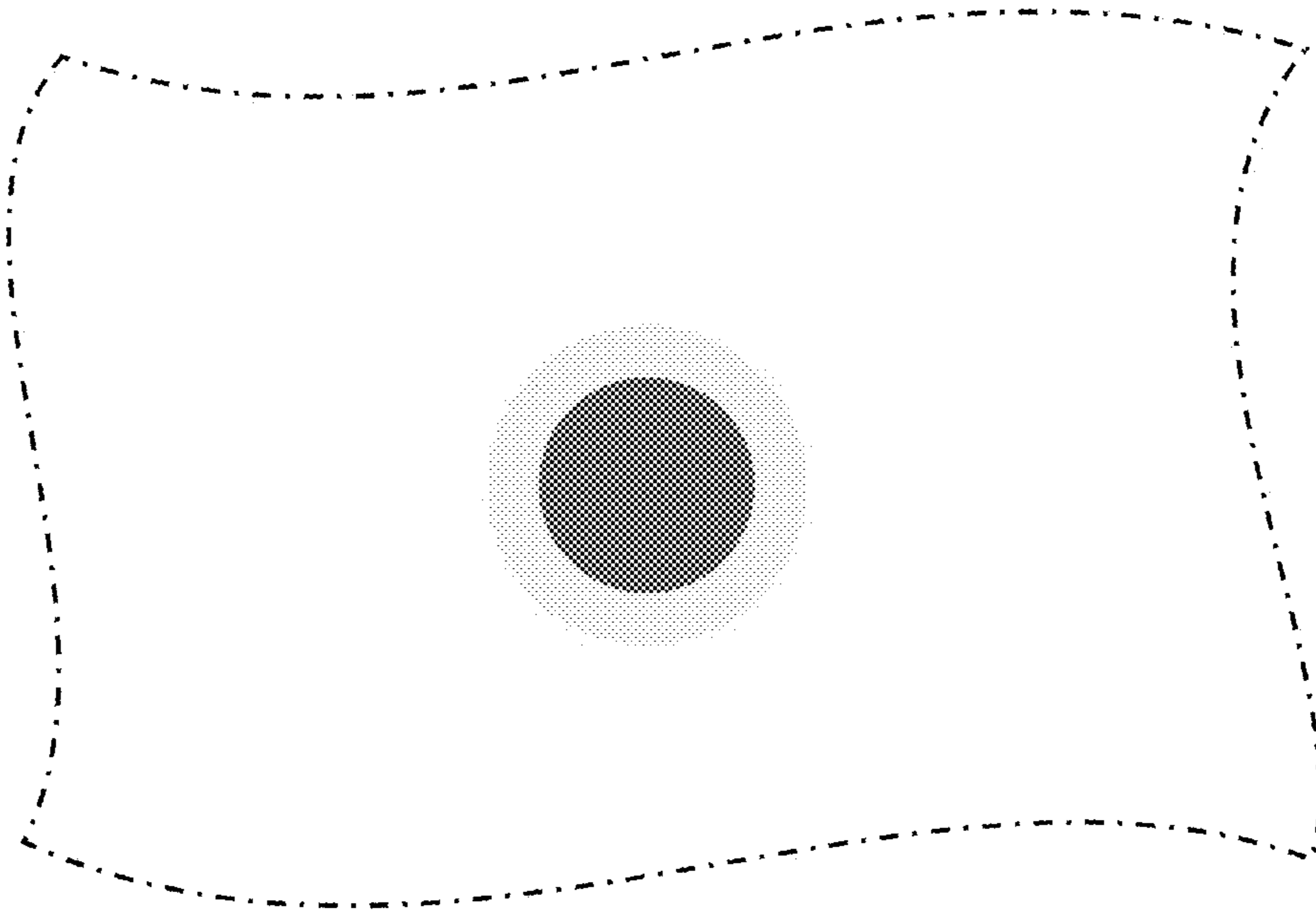


FIG. 3

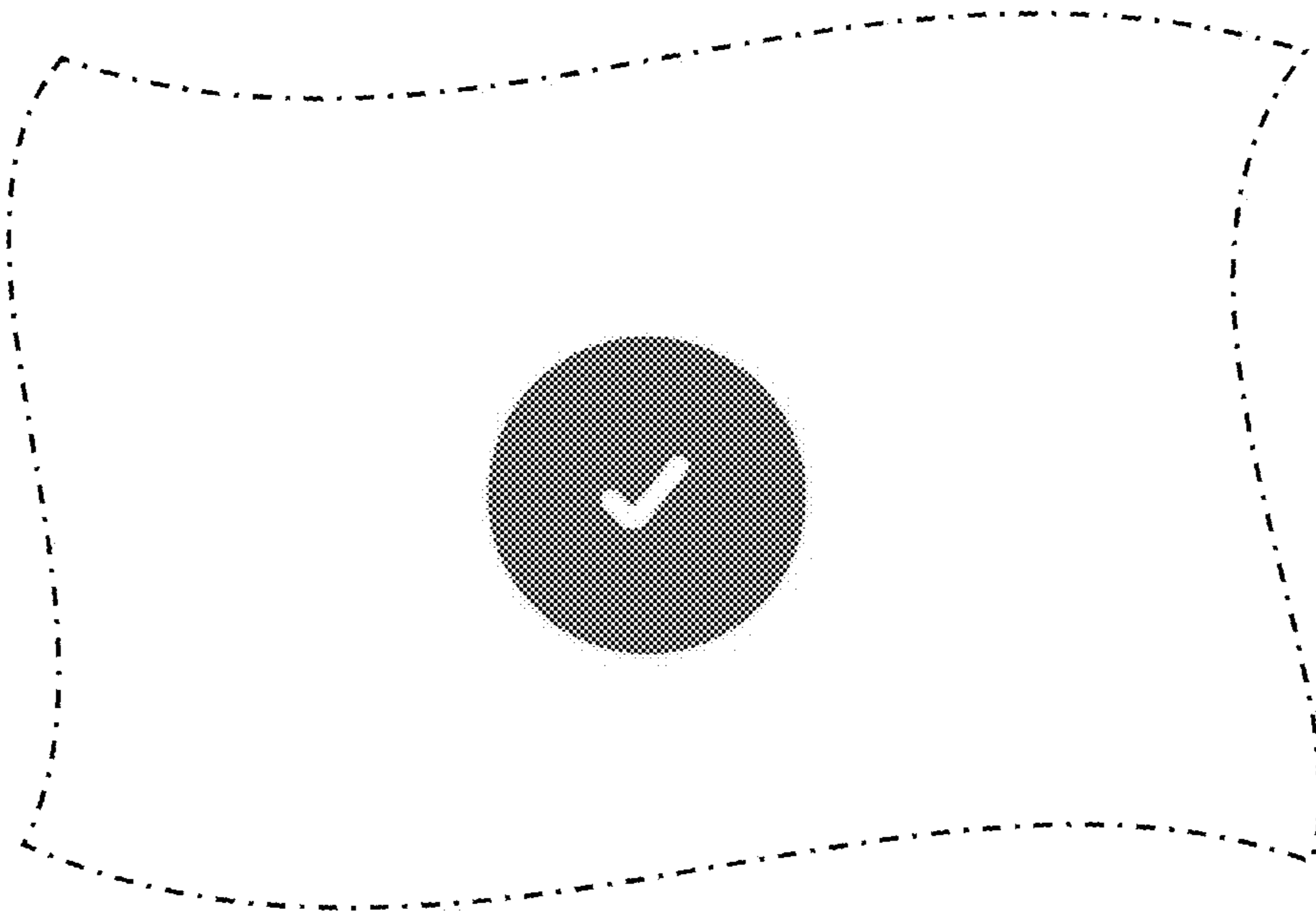


FIG. 4

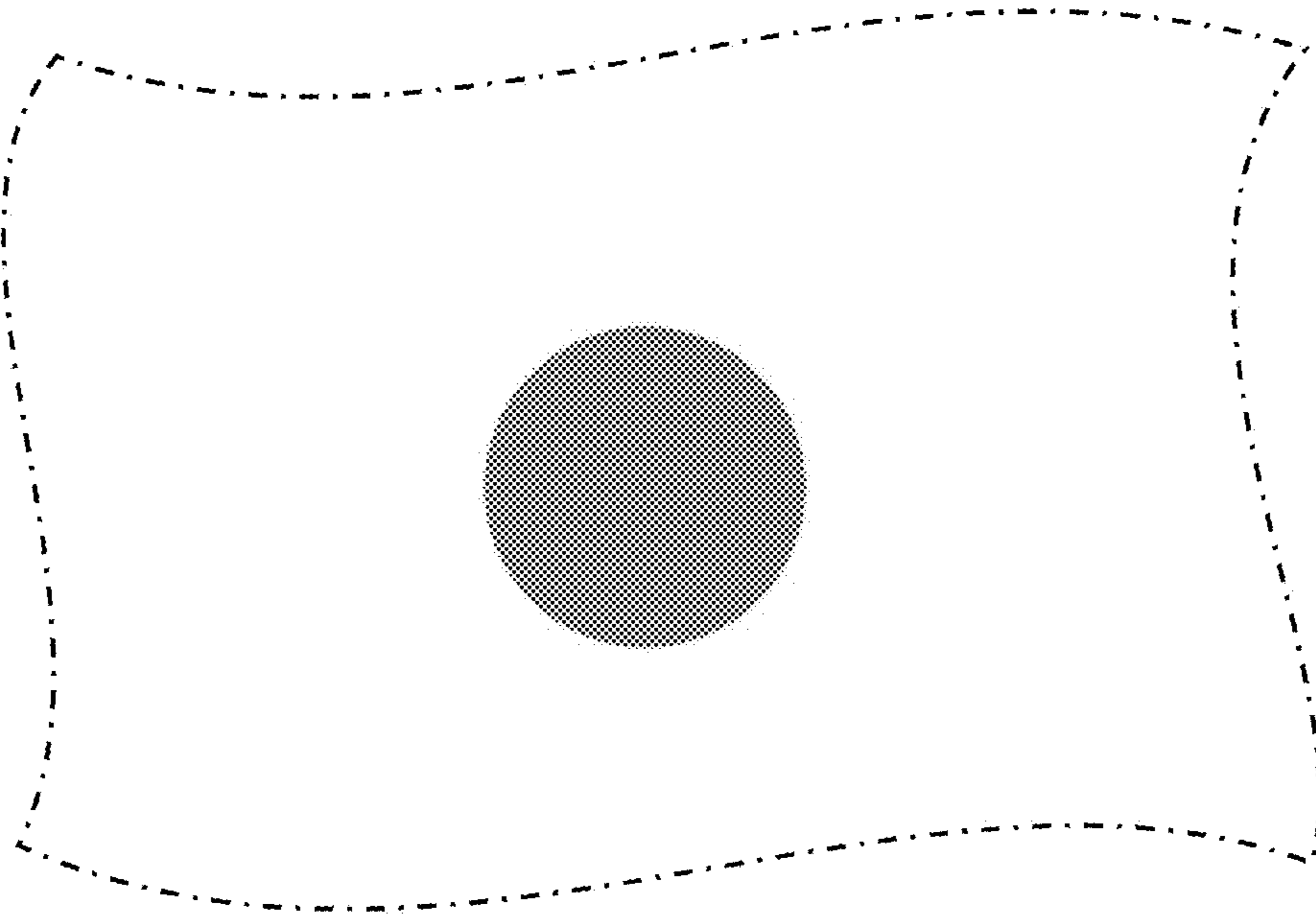


FIG. 5

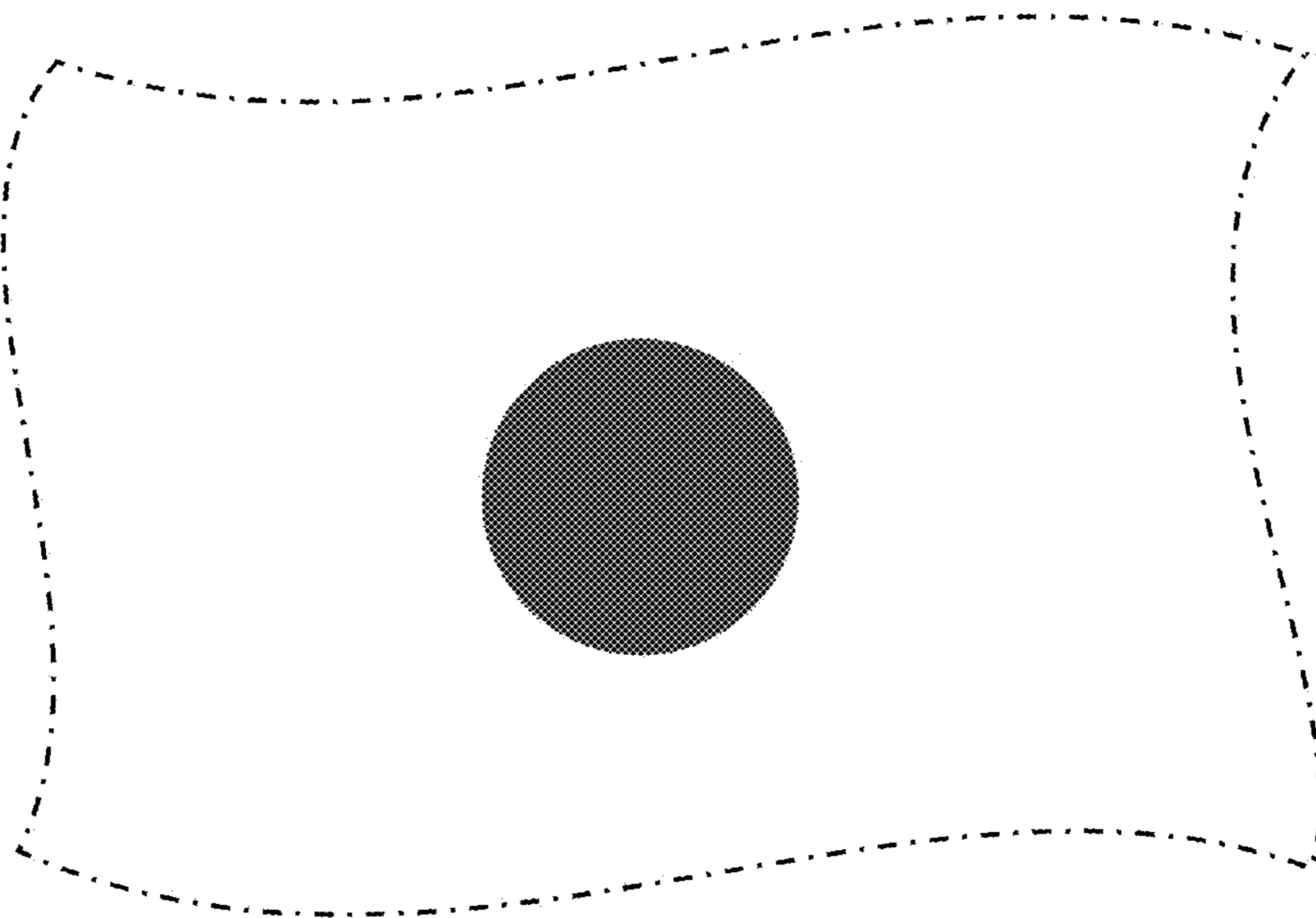


FIG. 6

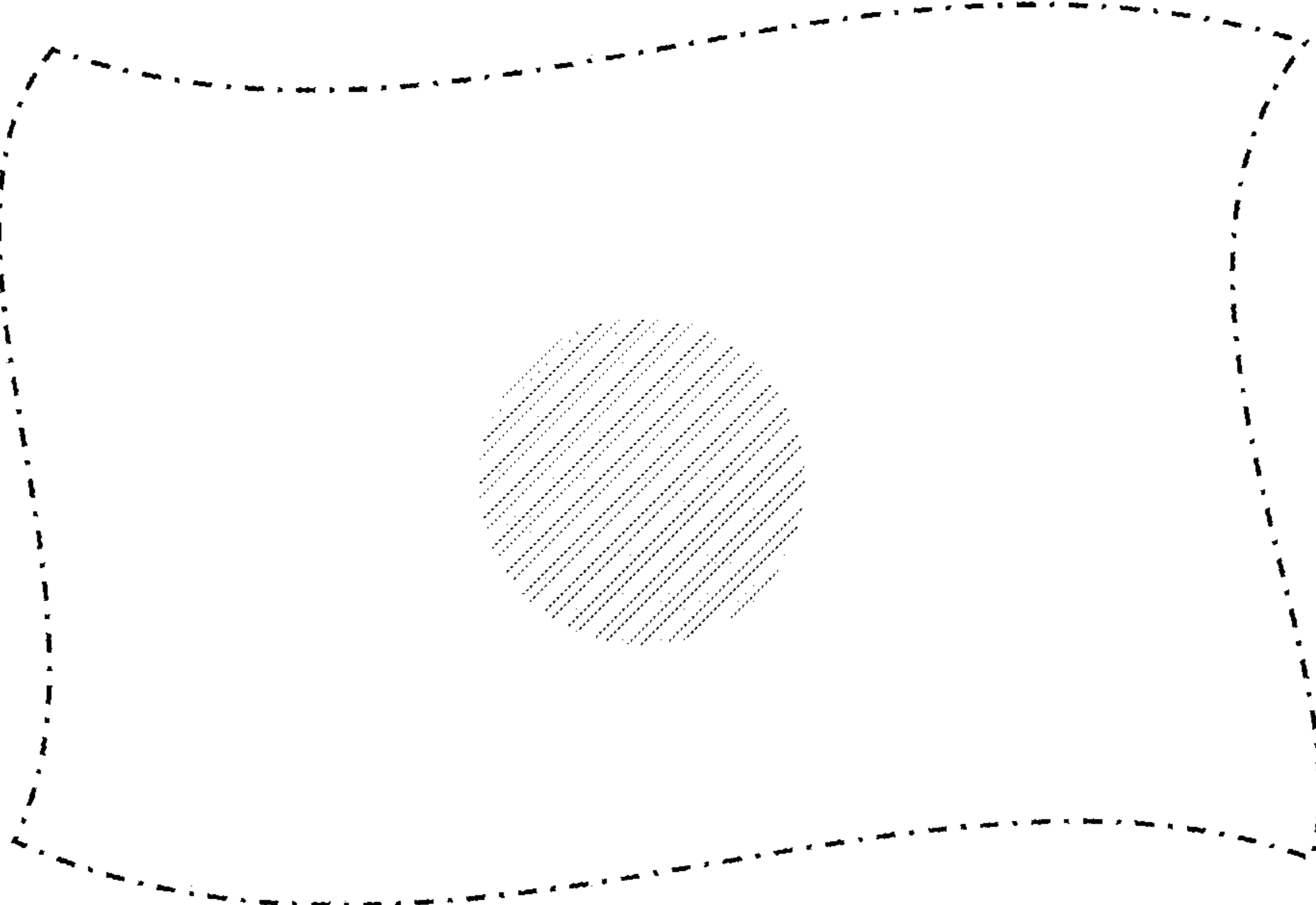


FIG. 7

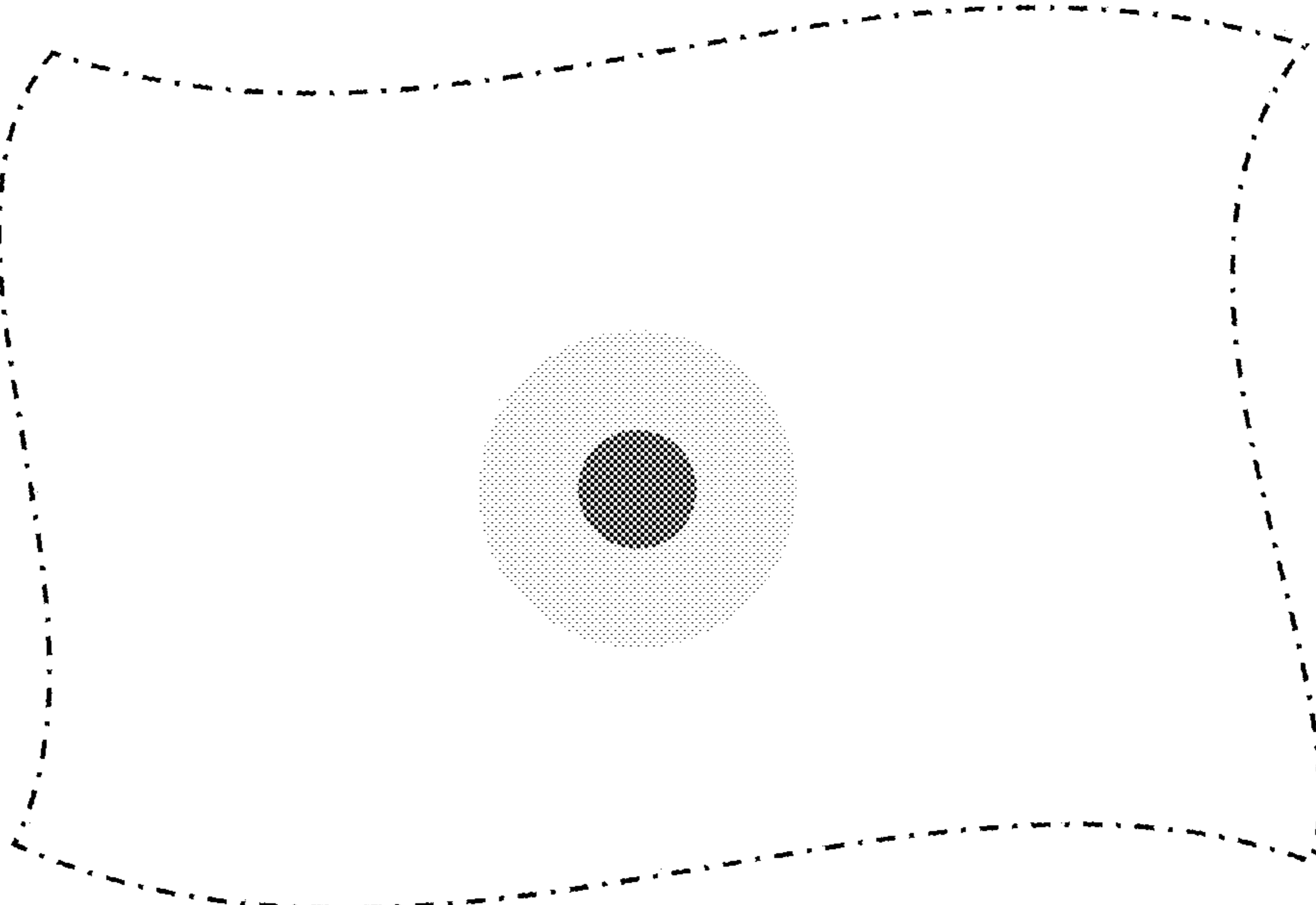


FIG. 8

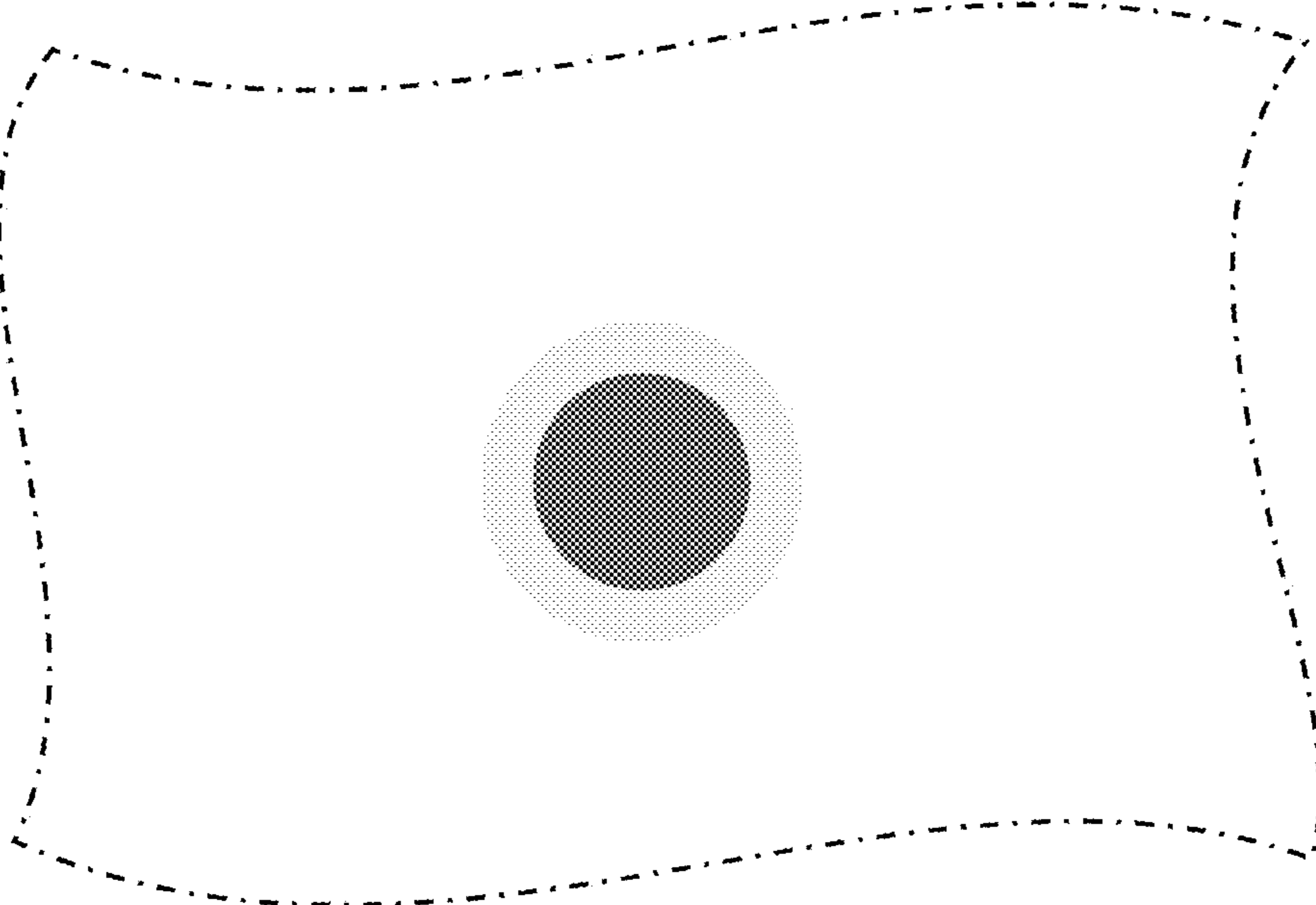


FIG. 9

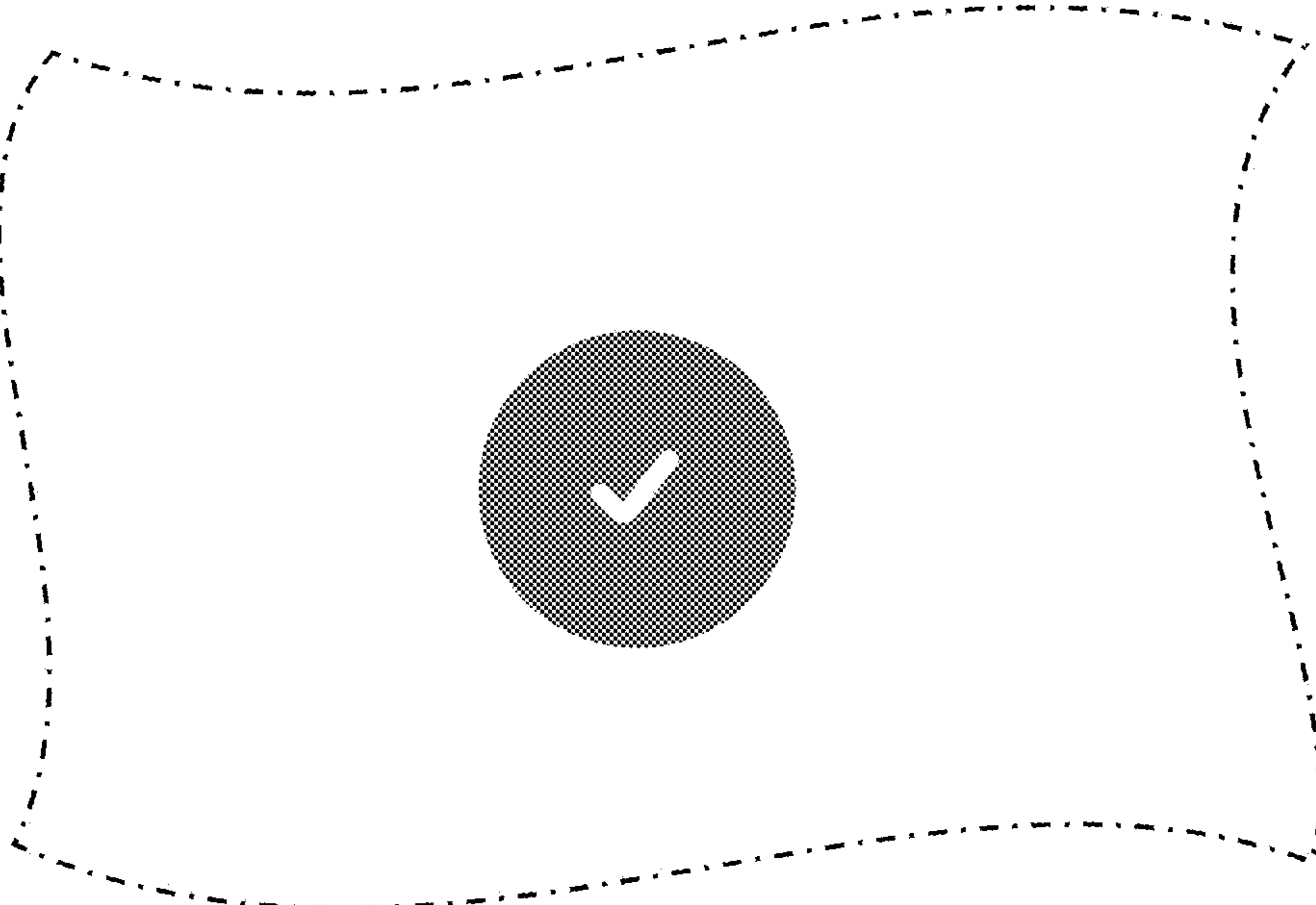


FIG. 10

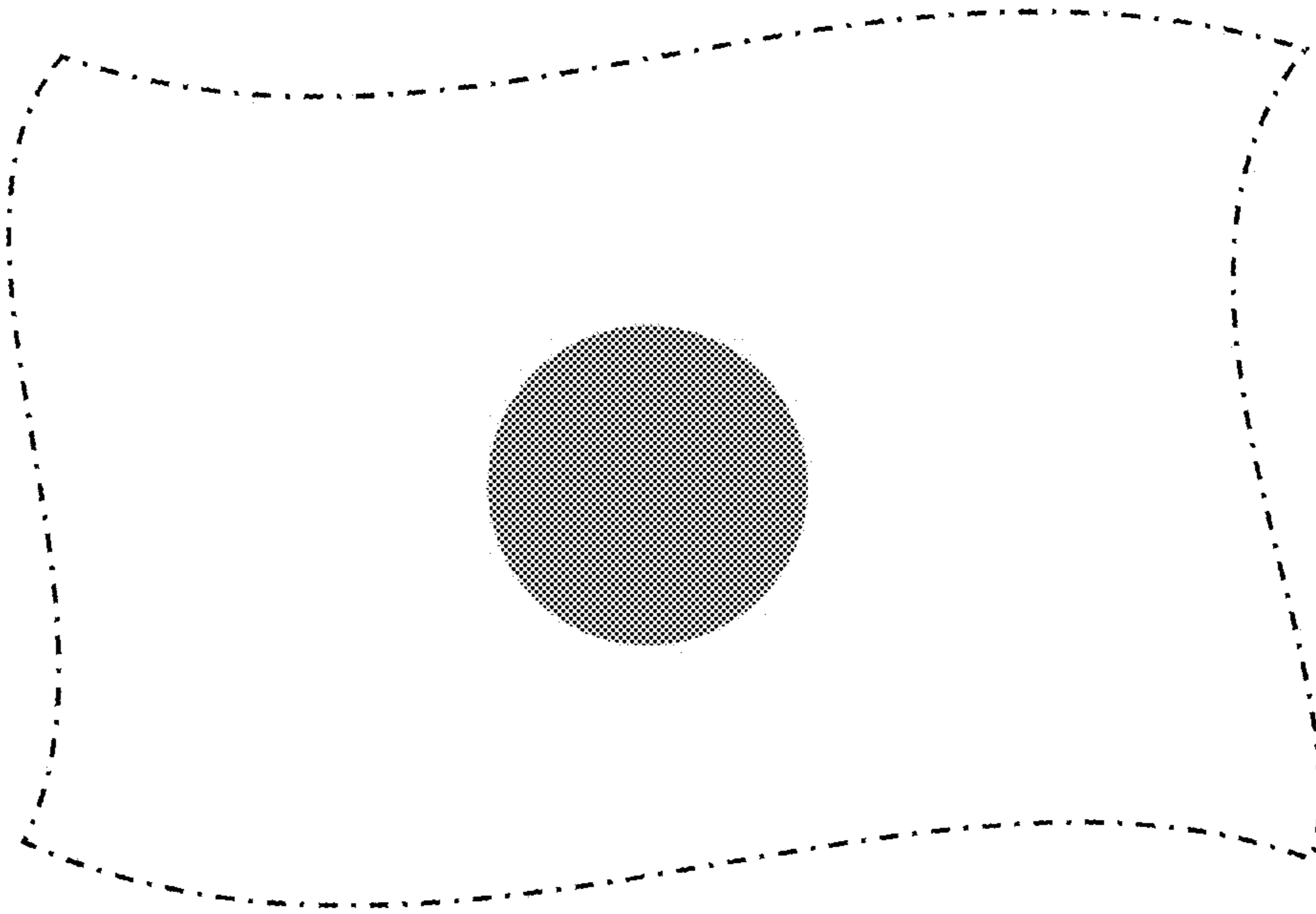


FIG. 11

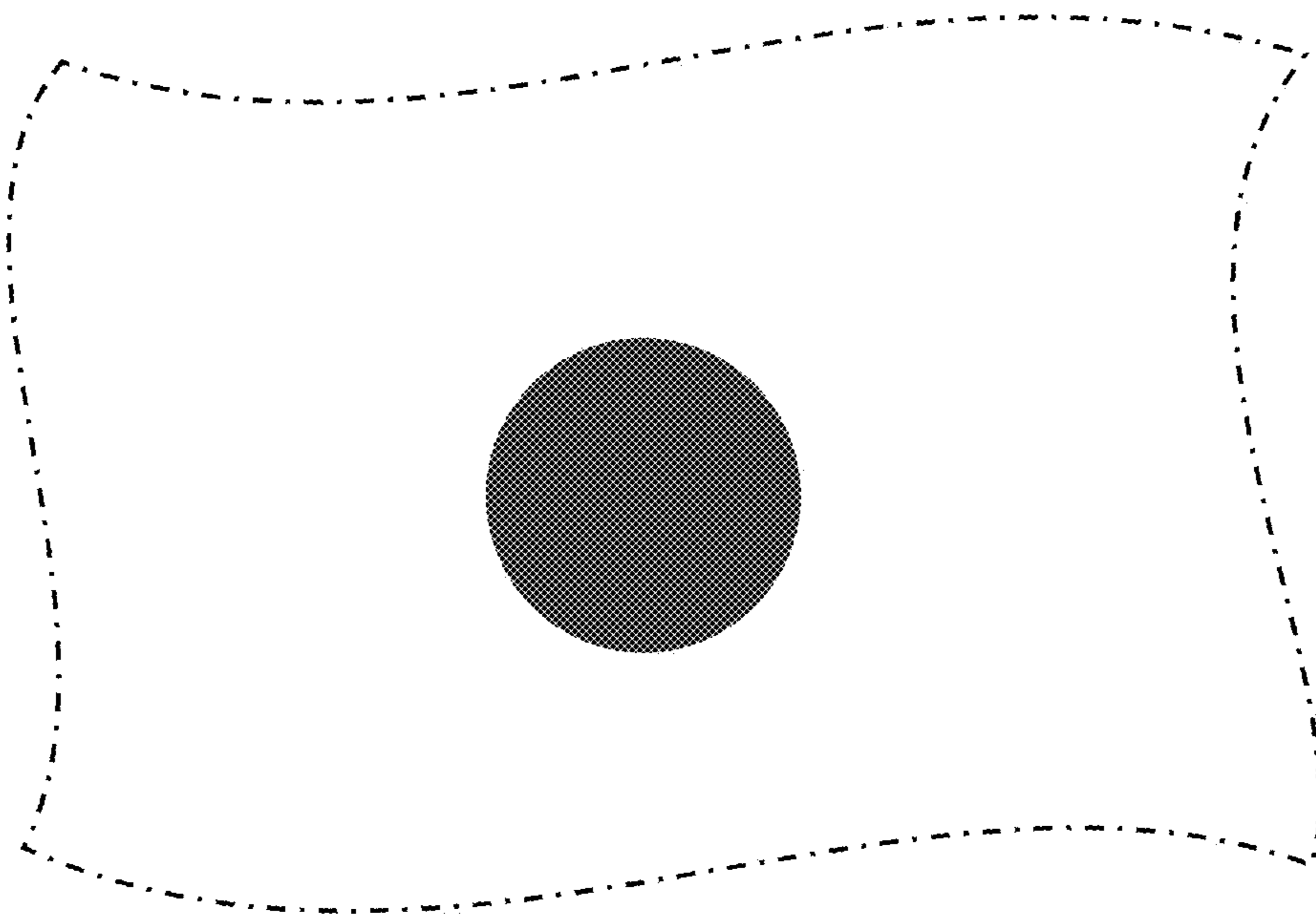


FIG. 12

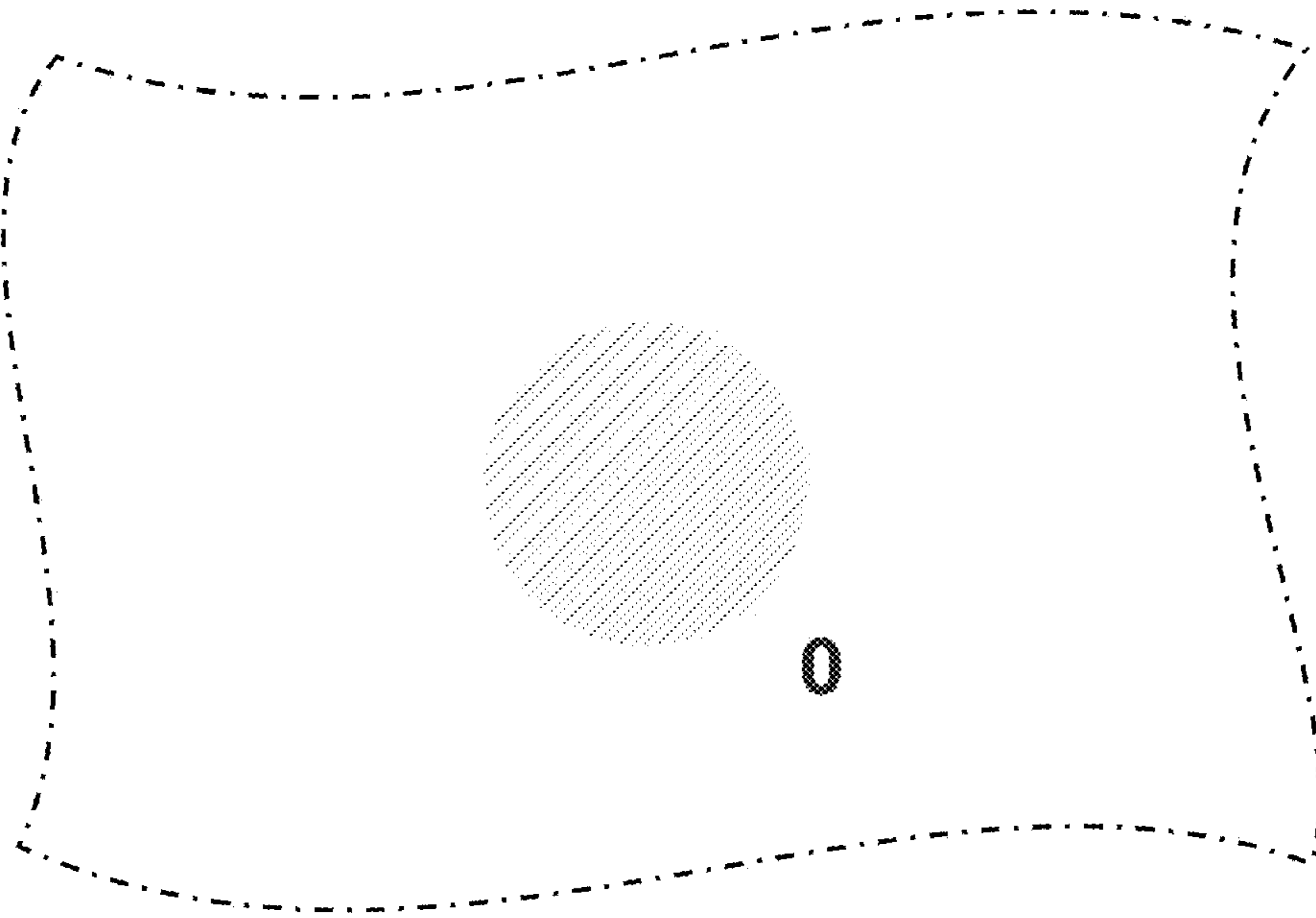


FIG. 13

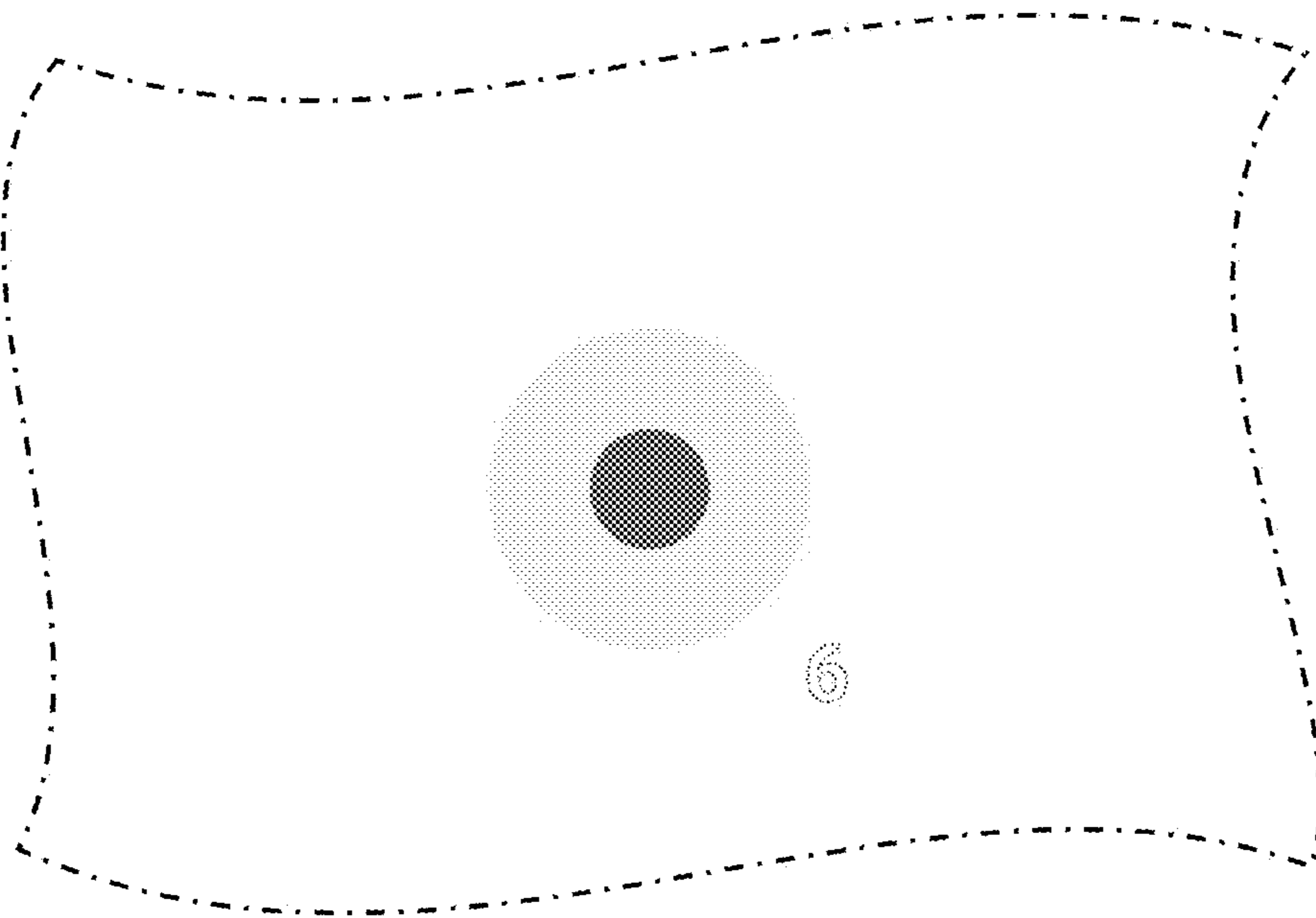


FIG. 14

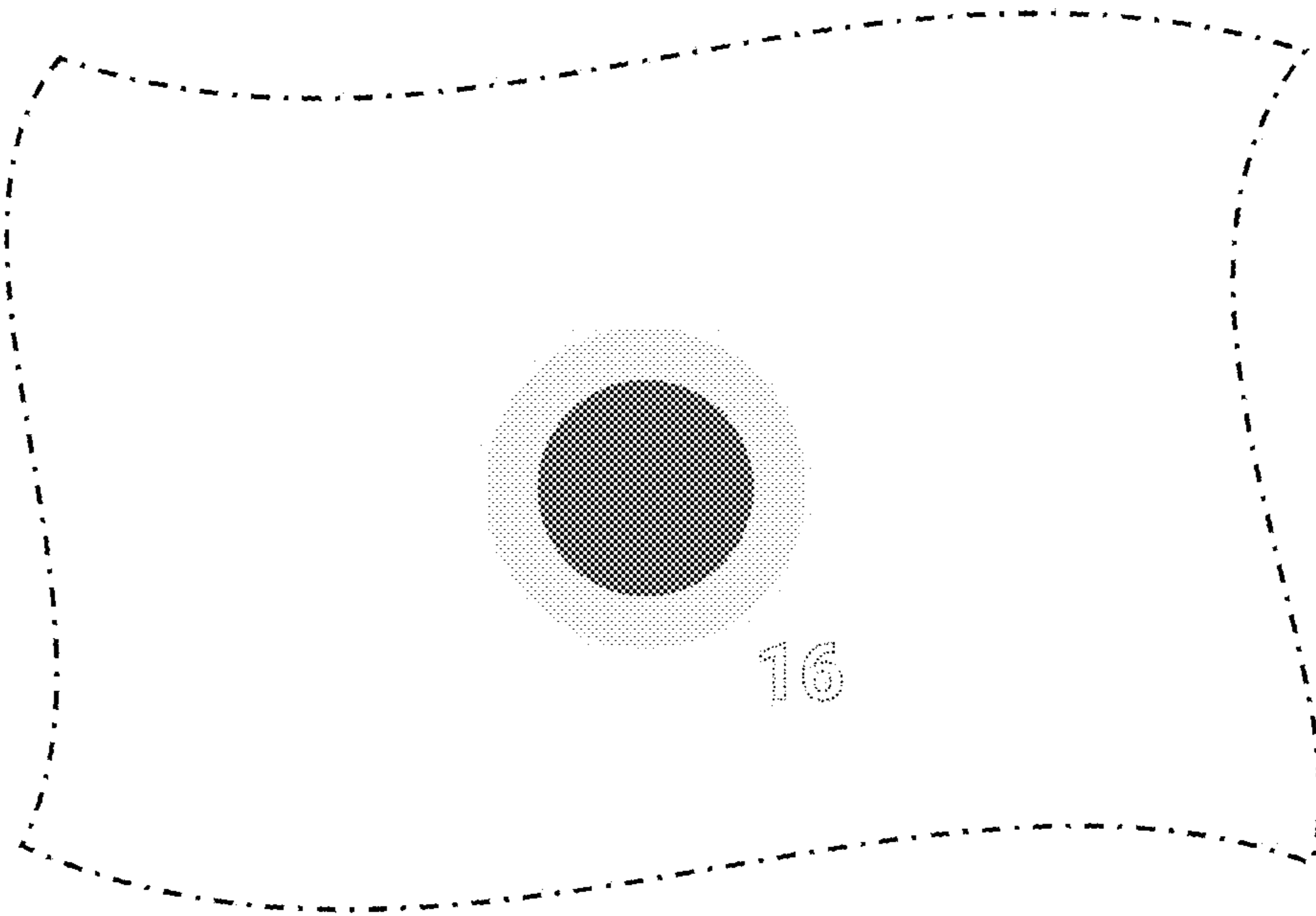


FIG. 15

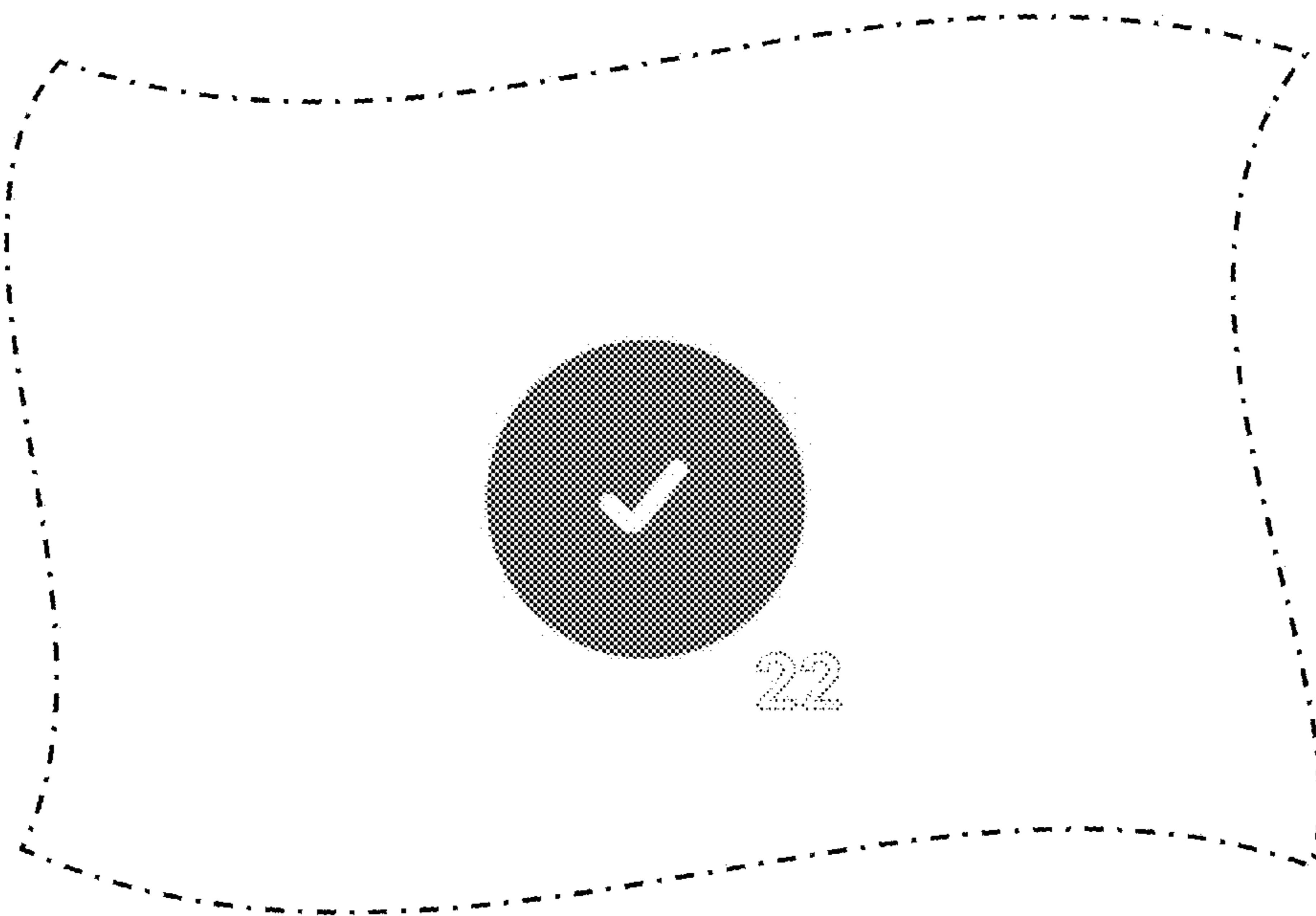


FIG. 16

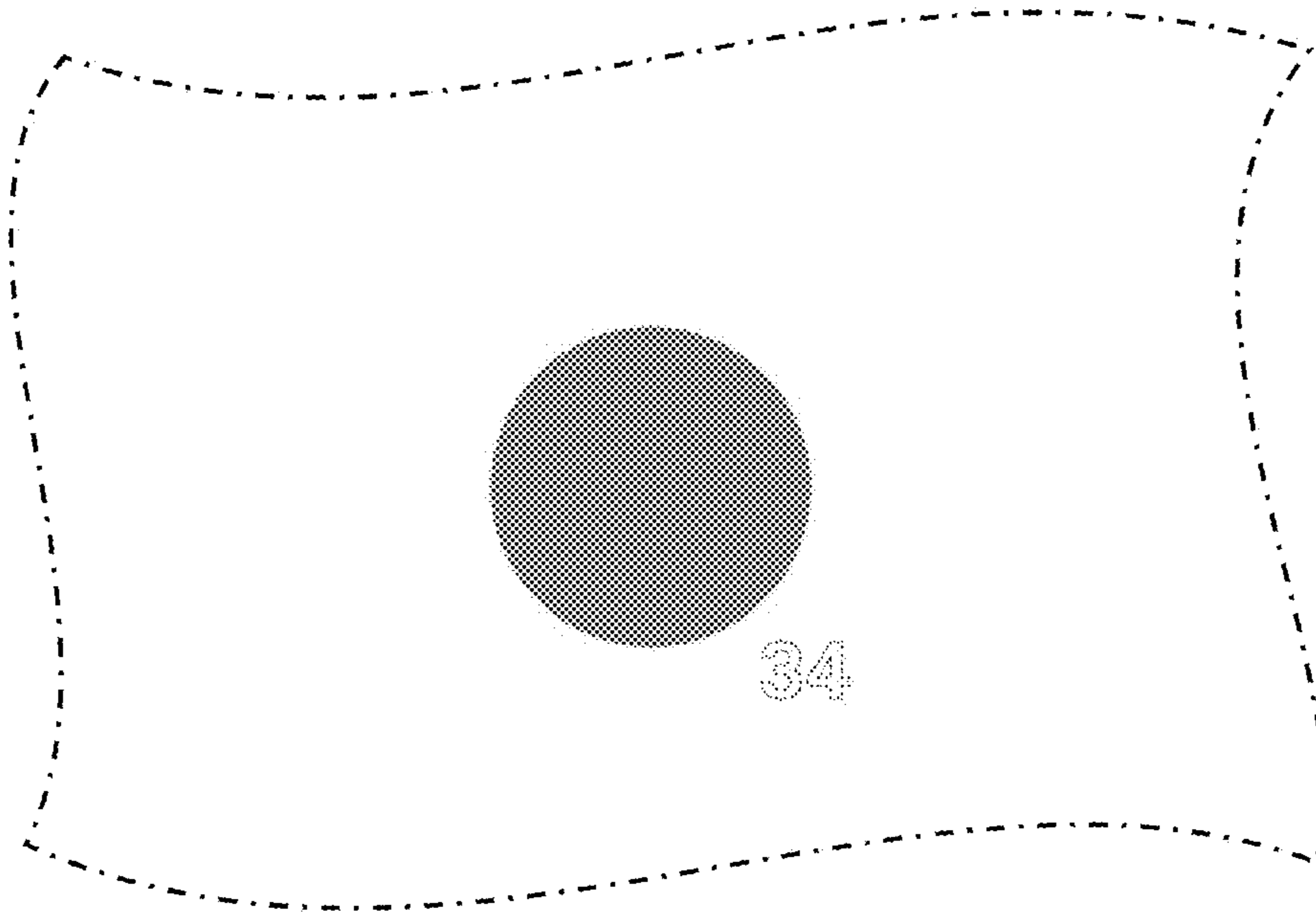


FIG. 17

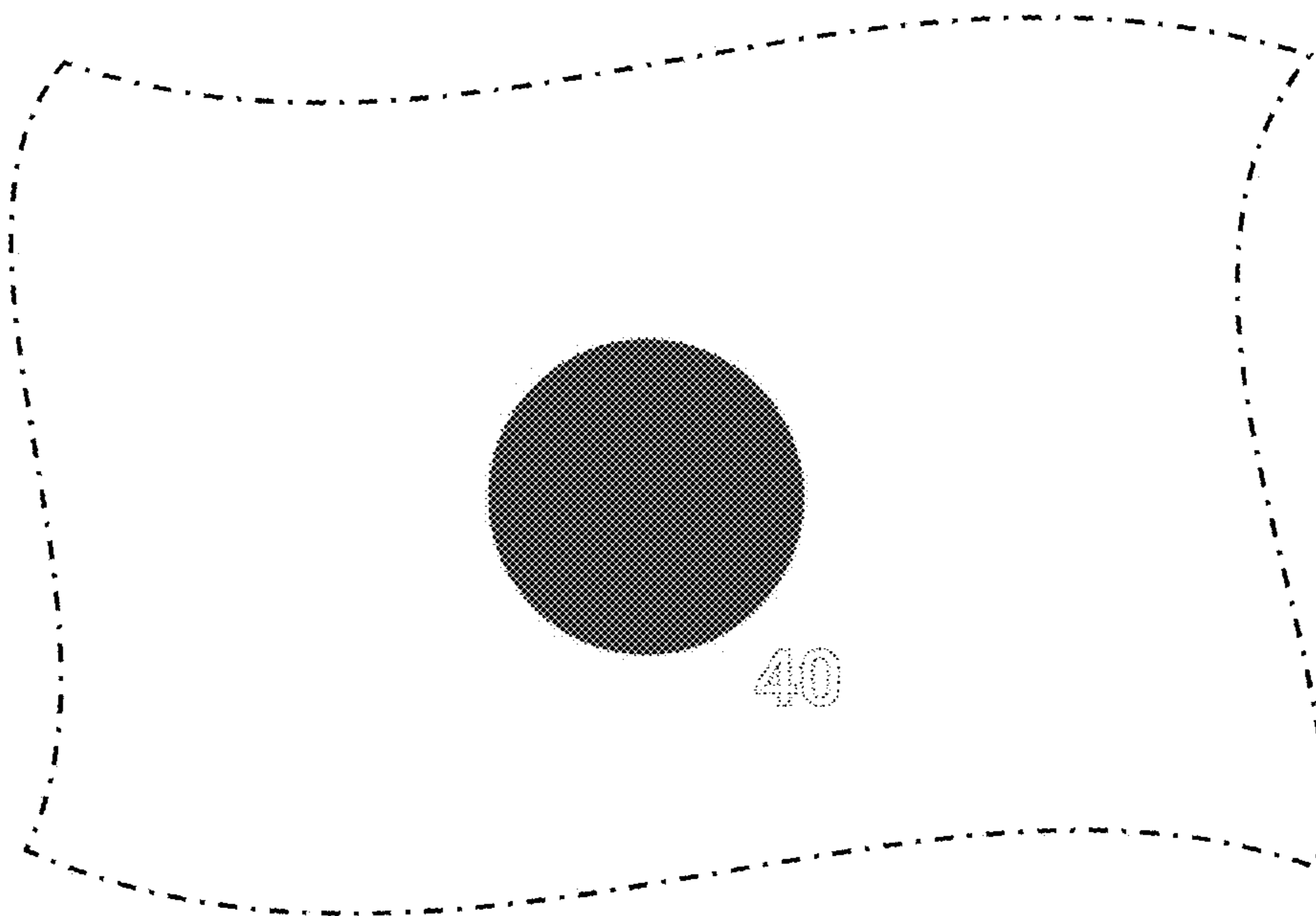


FIG. 18

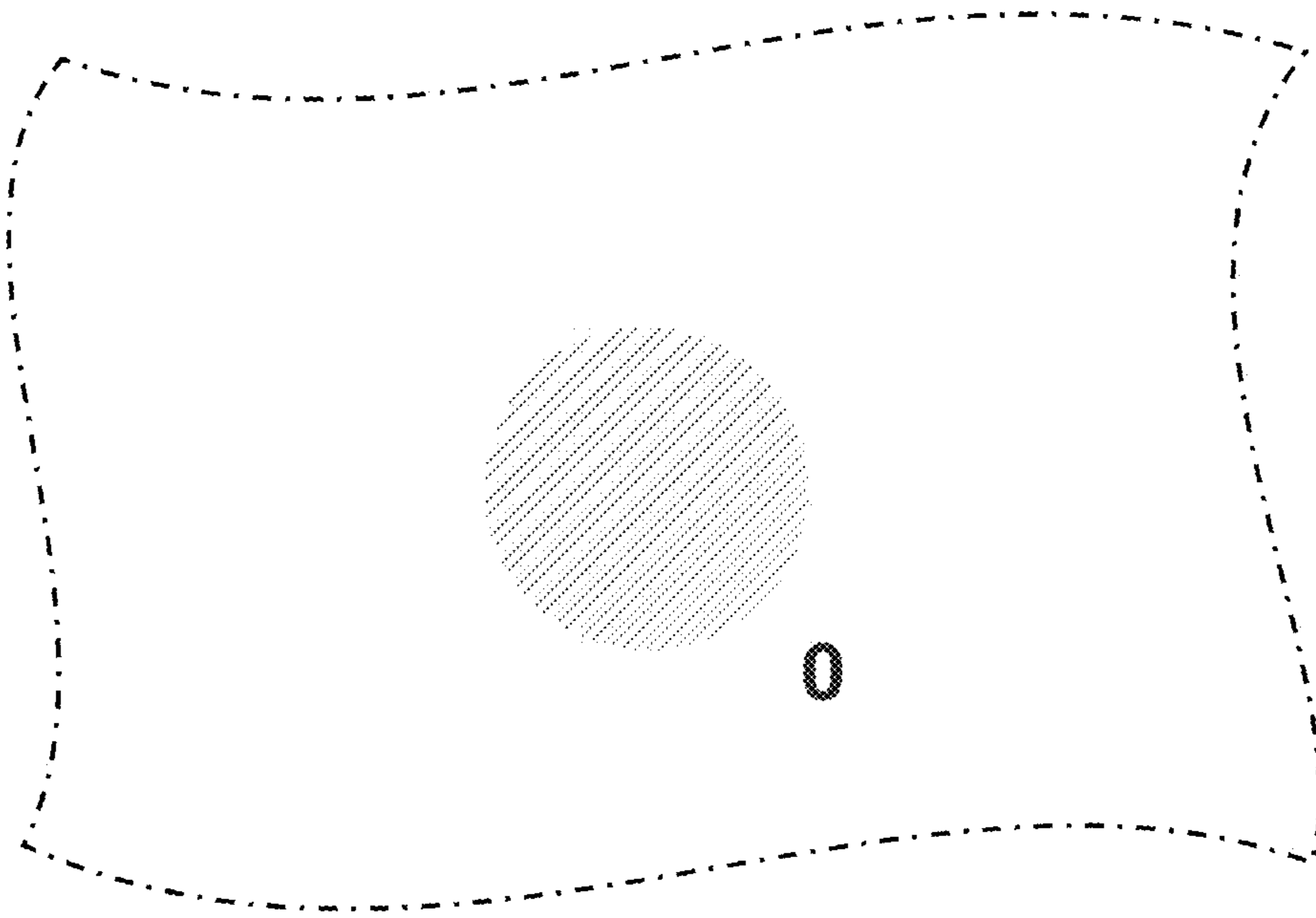


FIG. 19

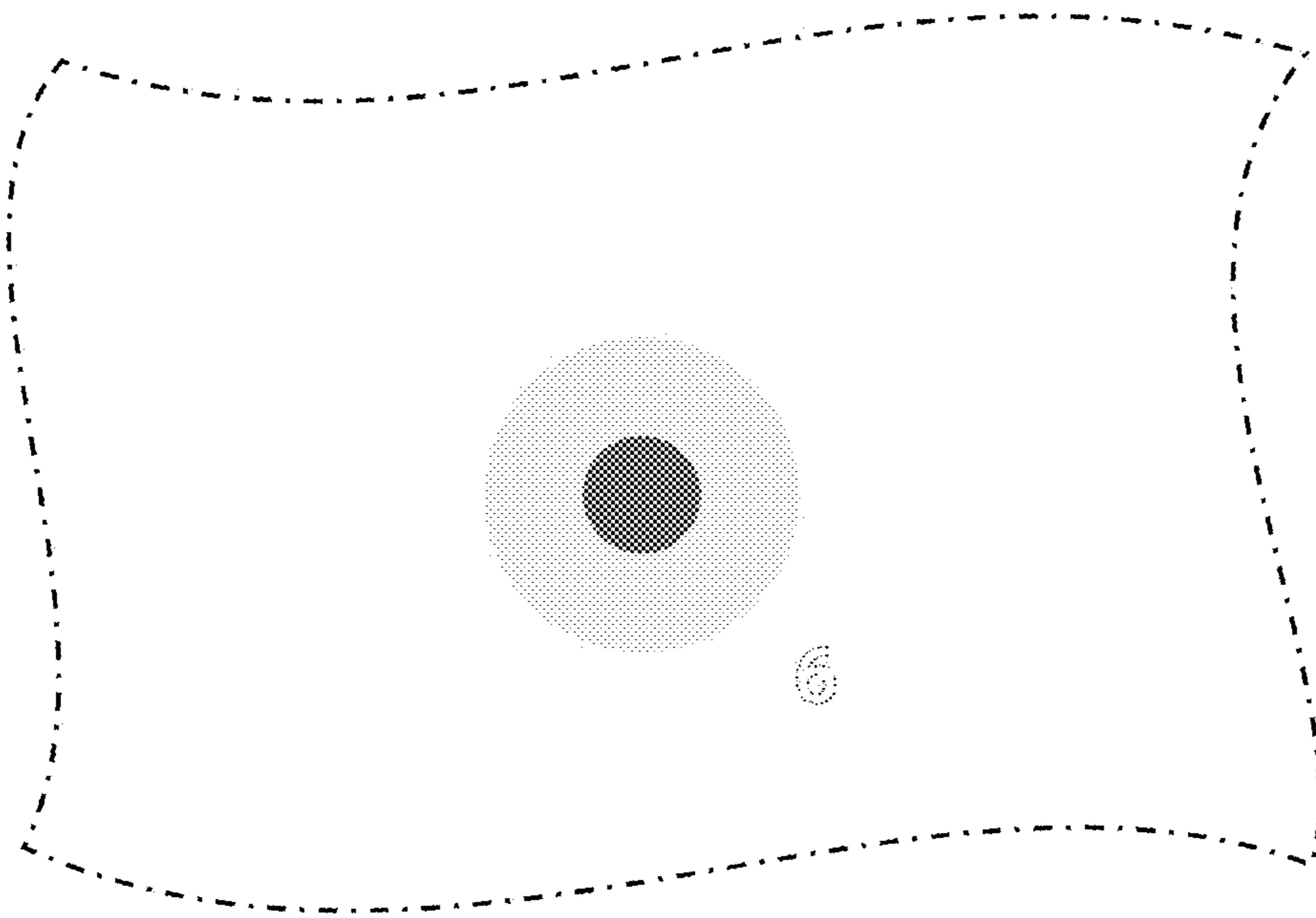


FIG. 20

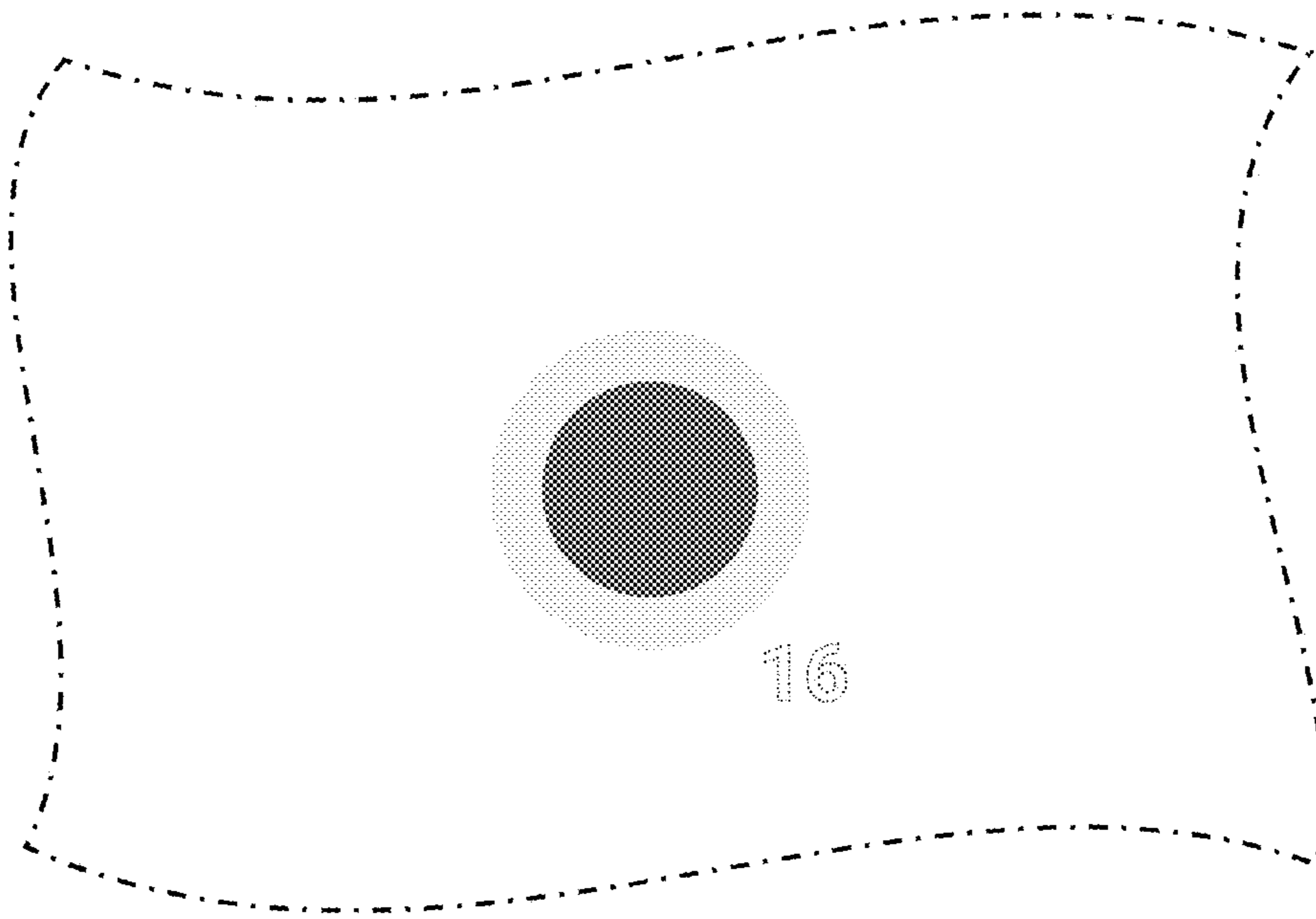


FIG. 21

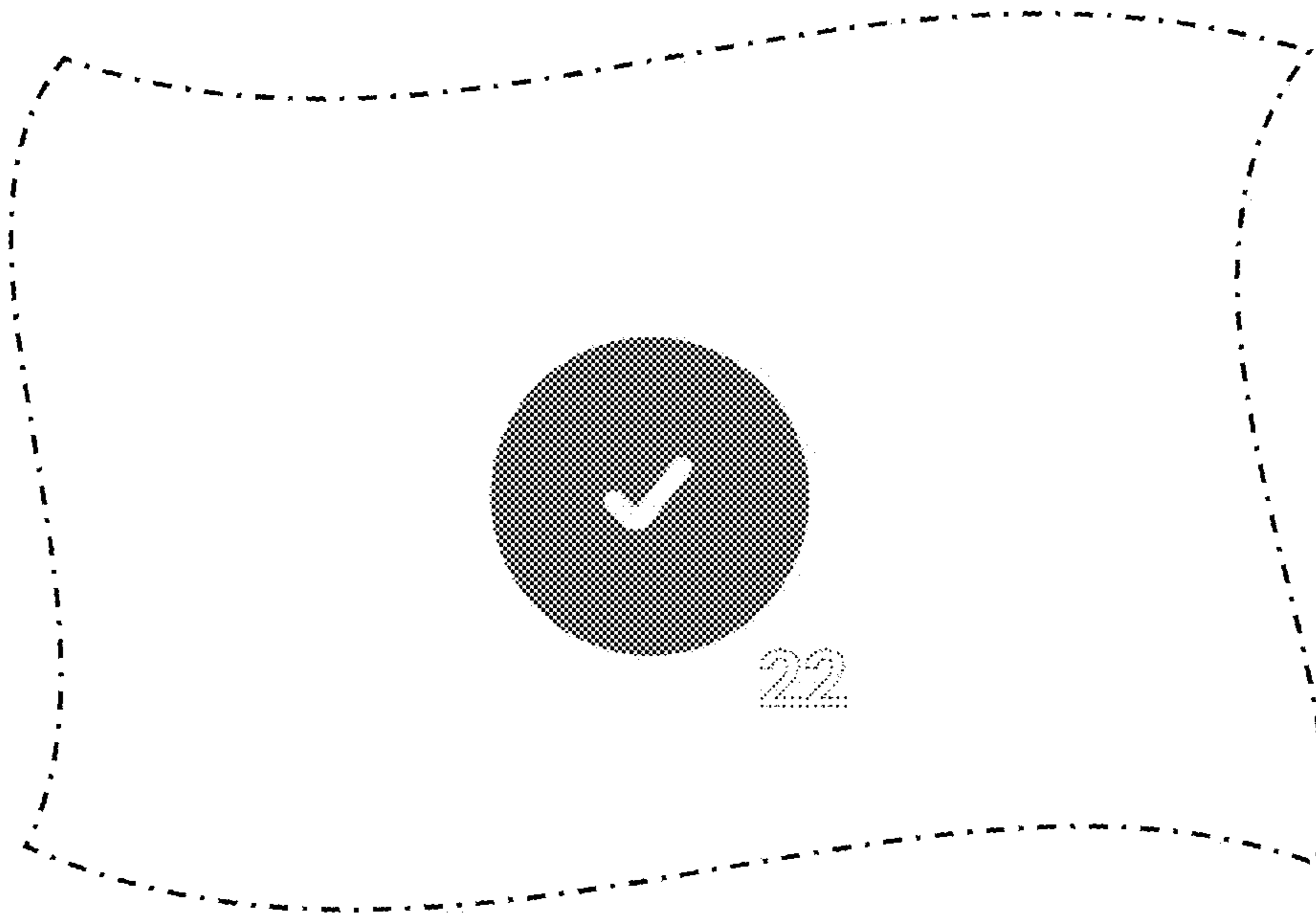


FIG. 22

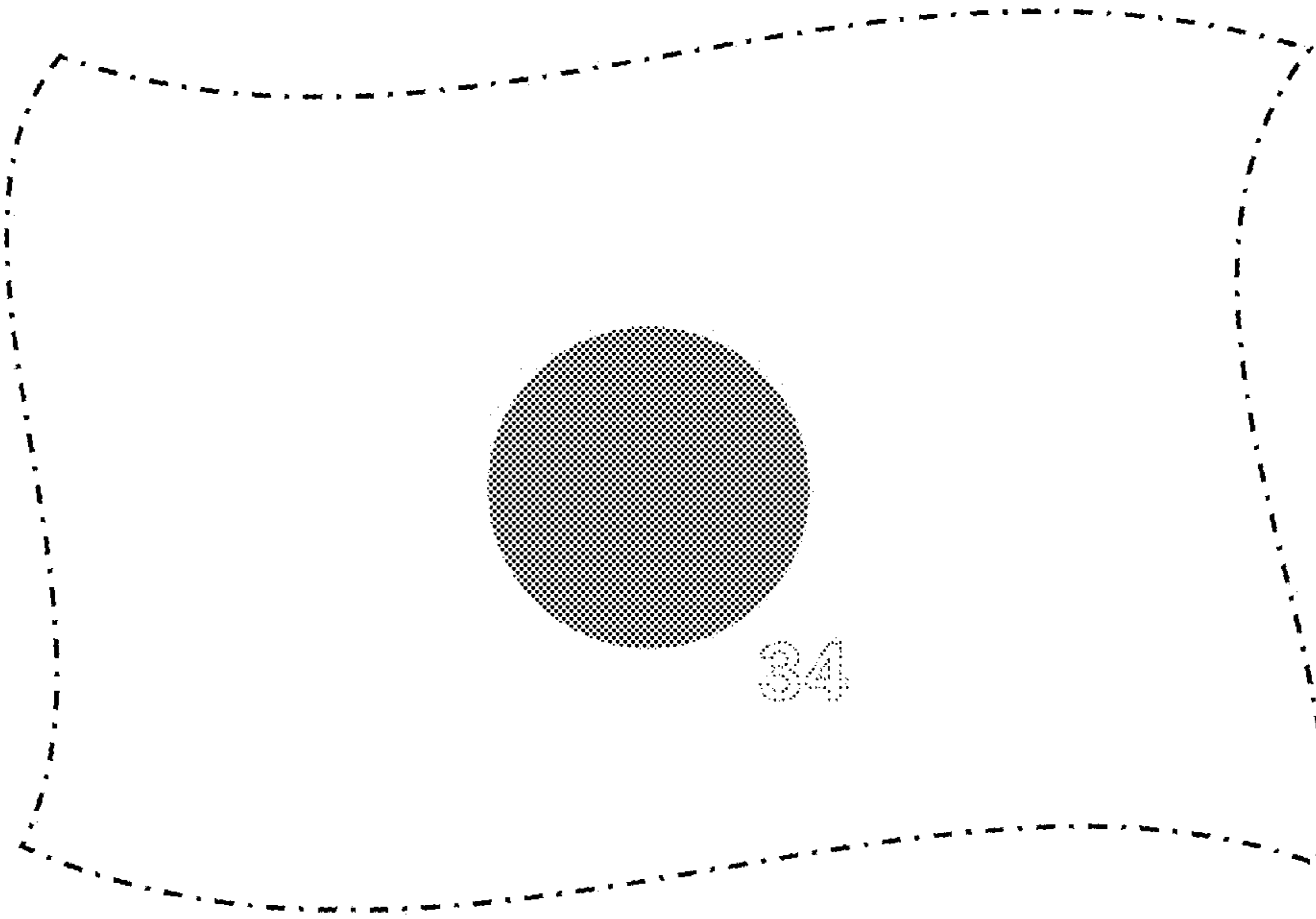


FIG. 23

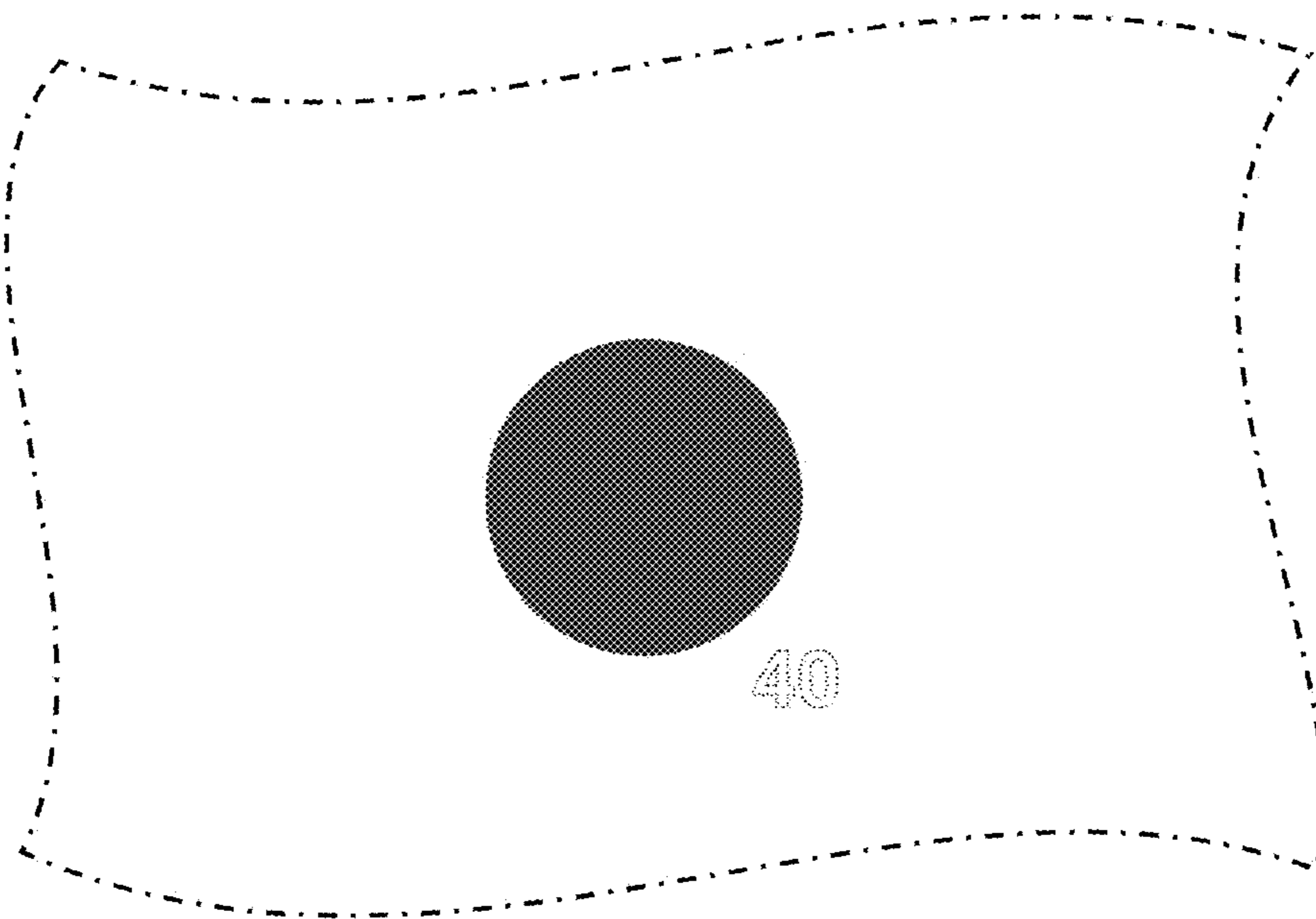


FIG. 24