



US00D978904S

(12) **United States Design Patent** (10) **Patent No.:** **US D978,904 S**
Hu et al. (45) **Date of Patent:** **** Feb. 21, 2023**

(54) **DISPLAY SCREEN OR PORTION THEREOF WITH TRANSITIONAL GRAPHICAL USER INTERFACE**

(71) Applicant: **Samsung Electronics Co., Ltd.,**
Gyeonggi-do (KR)

(72) Inventors: **Tengwen Hu**, Newark, CA (US); **Joo Hyun Bae**, San Jose, CA (US)

(73) Assignee: **SAMSUNG ELECTRONICS CO., LTD.,** Gyeonggi-Do (KR)

(**) Term: **15 Years**

(21) Appl. No.: **29/737,507**

(22) Filed: **Jun. 9, 2020**

(51) **LOC (14) Cl.** **14-04**

(52) **U.S. Cl.**
USPC **D14/488**

(58) **Field of Classification Search**
USPC D14/485-95

(Continued)

(56) **References Cited**

U.S. PATENT DOCUMENTS

D396,710 S * 8/1998 Cappa D14/494
D645,875 S * 9/2011 Cavanaugh D14/488

(Continued)

FOREIGN PATENT DOCUMENTS

EM 005638004-0005 3/2018
EM 005638004-0007 3/2018

(Continued)

OTHER PUBLICATIONS

<https://depositphotos.com/132900722/stock-photo-abstract-fractal-pattern.html> (Year: 2016).*

(Continued)

Primary Examiner — Melanie H Tung

(74) *Attorney, Agent, or Firm* — Cantor Colburn LLP

(57) **CLAIM**

The ornamental design for display screen or portion thereof with transitional graphical user interface, as shown and described.

DESCRIPTION

FIG. 1 is a front view of the first image in a sequence of a display screen or portion thereof with transitional graphical user interface, showing our new design in a first embodiment;

FIG. 2 is a front view of the second image thereof;

FIG. 3 is a front view of the third image thereof;

FIG. 4 is a front view of the first image in a sequence of a display screen or portion thereof with transitional graphical user interface, showing our new design in a second embodiment;

FIG. 5 is a front view of the second image thereof; and

FIG. 6 is a front view of the third image thereof.

FIG. 7 is a front view of the first image in a sequence of a display screen or portion thereof with transitional graphical user interface, showing our new design in a third embodiment;

FIG. 8 is a front view of the second image thereof;

FIG. 9 is a front view of the third image thereof;

FIG. 10 is a front view of the first image in a sequence of a display screen or portion thereof with transitional graphical user interface, showing our new design in a fourth embodiment;

FIG. 11 is a front view of the second image thereof;

FIG. 12 is a front view of the third image thereof;

FIG. 13 is a front view of the first image in a sequence of a display screen or portion thereof with transitional graphical user interface, showing our new design in a fifth embodiment;

FIG. 14 is a front view of the second image thereof;

FIG. 15 is a front view of the third image thereof;

FIG. 16 is a front view of the fourth image thereof;

FIG. 17 is a front view of the fifth image thereof;

(Continued)

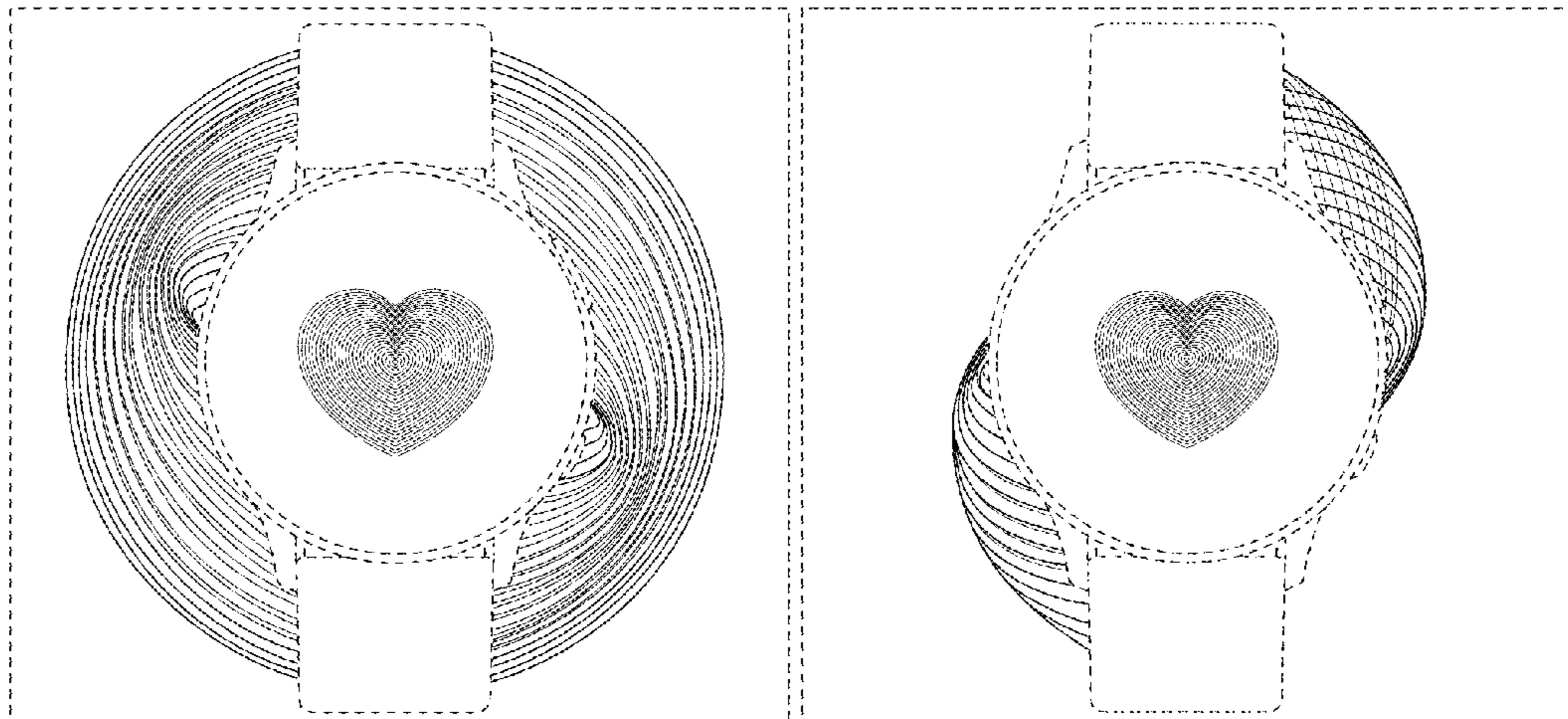


FIG. 18 is a front view of the first image in a sequence of a display screen or portion thereof with transitional graphical user interface, showing our new design in a sixth embodiment;

FIG. 19 is a front view of the second image thereof;

FIG. 20 is a front view of the third image thereof;

FIG. 21 is a front view of the fourth image thereof; and,

FIG. 22 is a front view of the fifth image thereof.

The broken lines showing the display screen or portion thereof in FIGS. 1-3, 7-9, 13-17, and an alternate display screen or portion thereof in FIGS. 4-6, 10-12, 18-22 form no part of the claimed design. The remaining broken lines show portions of the transitional graphical user interface that form no part of the claimed design.

1 Claim, 15 Drawing Sheets

(58) Field of Classification Search

CPC G06F 3/048; G06F 3/0481; G06F 3/04812;
G06F 3/04815; G06F 3/04817; G06F
3/0482; G06F 3/0483; G06F 3/0484;
G06F 3/04842; G06F 3/04845; G06F
3/04847; G06F 3/0485; G06F 3/0486;
G06F 3/0487; G06F 3/0488; G06F
3/04883; G06F 3/04886; G06F 3/0489;
G06F 3/04892; G06F 3/04895; G06F
3/04897

See application file for complete search history.

(56) References Cited

U.S. PATENT DOCUMENTS

D748,100	S	*	1/2016	Lim	G06F 3/04817	D14/485
D751,582	S	*	3/2016	Herrera		D14/485
D752,063	S	*	3/2016	Nuovo		D14/485
D757,747	S	*	5/2016	Butcher		D14/485
D757,748	S	*	5/2016	Butcher		D14/485
D757,749	S	*	5/2016	Butcher		D14/485
D761,305	S		7/2016	Nelson et al.			
D763,874	S		8/2016	Boix Sagarra et al.			
9,472,013	B2	*	10/2016	Tobin	G06T 13/80	
D771,702	S		11/2016	Ostrowski et al.			
D783,664	S		4/2017	Butcher et al.			
D786,925	S	*	5/2017	Park	D14/488	
D788,806	S	*	6/2017	Anzures	D14/486	
D791,169	S	*	7/2017	Sun	D14/488	
D793,422	S		8/2017	Gagnier et al.			
9,775,015	B1	*	9/2017	Mishra	G06F 3/0488	
D798,900	S	*	10/2017	Wan	D14/489	
D801,998	S	*	11/2017	Im	D14/486	
D807,391	S	*	1/2018	Seemakurty	D14/488	
D824,421	S	*	7/2018	Williams	D14/492	
D835,672	S		12/2018	Vijay et al.			
D836,126	S		12/2018	Anzures et al.			
D840,432	S	*	2/2019	Haverstock	D14/492	
D850,486	S		6/2019	Anderson et al.			
D857,742	S		8/2019	Van Gerbig			
D864,248	S	*	10/2019	Hamaguchi	D14/492	
D875,777	S		2/2020	Soli et al.			
D878,416	S		3/2020	Lyons et al.			
D890,202	S	*	7/2020	Griffin	D14/489	
D912,699	S	*	3/2021	Fuchs	D14/492	
D916,852	S	*	4/2021	Griffin	D14/490	
D916,900	S		4/2021	Soli et al.			
D919,651	S	*	5/2021	Griffin	D14/490	
D927,542	S	*	8/2021	Engman	D14/492	
D931,901	S	*	9/2021	Ingel	D14/492	

D944,847	S	*	3/2022	Griffin	D14/492
D956,100	S	*	6/2022	Soli	D14/493
2017/0277393	A1		9/2017	Iwashita et al.		
2021/0389961	A1	*	12/2021	Xi	G06F 3/04817

FOREIGN PATENT DOCUMENTS

KR	30-0812876	10/2014
KR	30-0969025	6/2017

OTHER PUBLICATIONS

<https://depositphotos.com/247035400/stock-illustration-stylized-wavelike-impulses-waves-black.html> (Year: 2019).*

<https://depositphotos.com/5457873/stock-photo-heart-on-a-red.html> (Year: 2011).*

<https://depositphotos.com/9758823/stock-photo-red-abstract-heart.html> (Year: 2012).*

<https://depositphotos.com/79528112/stock-illustration-set-of-beautiful-black-and.html> (Year: 2015).*

<https://depositphotos.com/180008410/stock-illustration-isolated-heart-shape.html> (Year: 2018).*

<https://depositphotos.com/118035904/stock-illustration-heart-elements-with-outlines.html> (Year: 2016).*

<https://dribbble.com/shots/4099783-Beating-Heart> (Year: 2018).*

<https://depositphotos.com/135769338/stock-illustration-red-heart-vector-design.html> (Year: 2016).*

<https://depositphotos.com/196703770/stock-illustration-set-four-beautiful-cool-hearts.html> (Year: 2018).*

<https://depositphotos.com/196577592/stock-illustration-beautiful-creative-pink-heart-stripes.html> (Year: 2018).*

<https://depositphotos.com/187946570/stock-illustration-design-element-icon-logo-hearts.html> (Year: 2018).*

<https://depositphotos.com/40250573/stock-illustration-love-icon.html> (Year: 2014).*

<https://depositphotos.com/109744732/stock-illustration-geometric-contour-heart-shape.html> (Year: 2016).*

<https://depositphotos.com/128005904/stock-illustration-heart-shapes-sequence-in-red.html> (Year: 2016).*

<https://depositphotos.com/136070030/stock-illustration-heart-icon-vector-valentines-day.html> (Year: 2017); pp. 1-1.

<https://depositphotos.com/147053241/stock-illustration-heart-vector-icon-love-symbol.html> (Year: 2017); pp. 1-1.

<https://depositphotos.com/323991030/stock-photo-dark-heart-icon-illustration-isolated.html> (Year: 2019); pp. 1-1.

<https://depositphotos.com/39839617/stock-illustration-red-heart-background.html> (Year: 2014); pp. 1-1.

<https://depositphotos.com/50350117/stock-illustration-heart-icon-vector-with-four.html> (Year: 2014); pp. 1-1.

<https://depositphotos.com/56708955/stock-illustration-heart-symbol-favorite-sign.html> (Year: 2014); pp. 1-1.

<https://web.archive.org/web/20150608154808/http://mx.depositphotos.com/63133637/stock-video-colorful-heart-symbol.html> (Year: 2015); pp. 1-1.

https://www.iconfinder.com/icons/5350476/heart_like_love_shape_sign_icon (Year: 2019); pp. 1-1.

Non-Final Office Action in U.S. Appl. No. 29/737,513, filed Jun. 9, 2020; Tengwen Hu, dated Sep. 23, 2022; pp. 1-22.

Non-Final Office Action in U.S. Appl. No. 29/760,975, filed Dec. 4, 2020; Tengwen Hu, dated Sep. 28, 2022; pp. 1-24.

Non-Final Office Action in U.S. Appl. No. 29/761,448, filed Dec. 9, 2020; Tengwen Hu, dated Sep. 28, 2022; pp. 1-22.

<https://dribbble.com/shots/1359614-Heartbeat-CSS> (Year: 2013) pp. 1-1.

<https://dribbble.com/shots/4256798-Beating-heart> (Year: 2018) pp. 1-1.

<https://dribbble.com/shots/5834382-Heart-Beat> (Year: 2019) pp. 1-1.

Notice of Allowance in U.S. Appl. No. 29/737,512, filed Jun. 9, 2020; Tengwen Hu, dated Nov. 21, 2022; pp. 1-21.

* cited by examiner

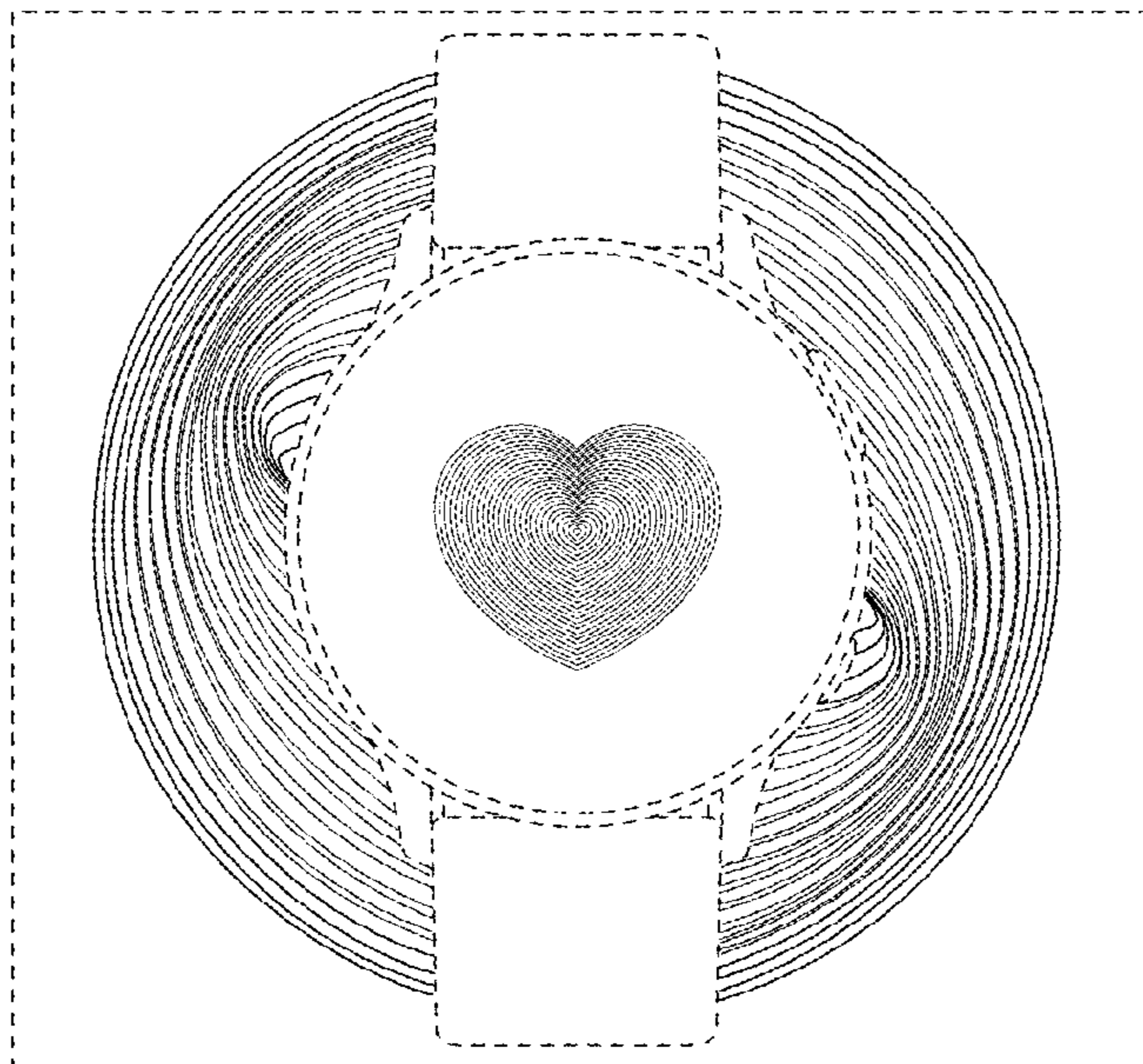


FIG. 1

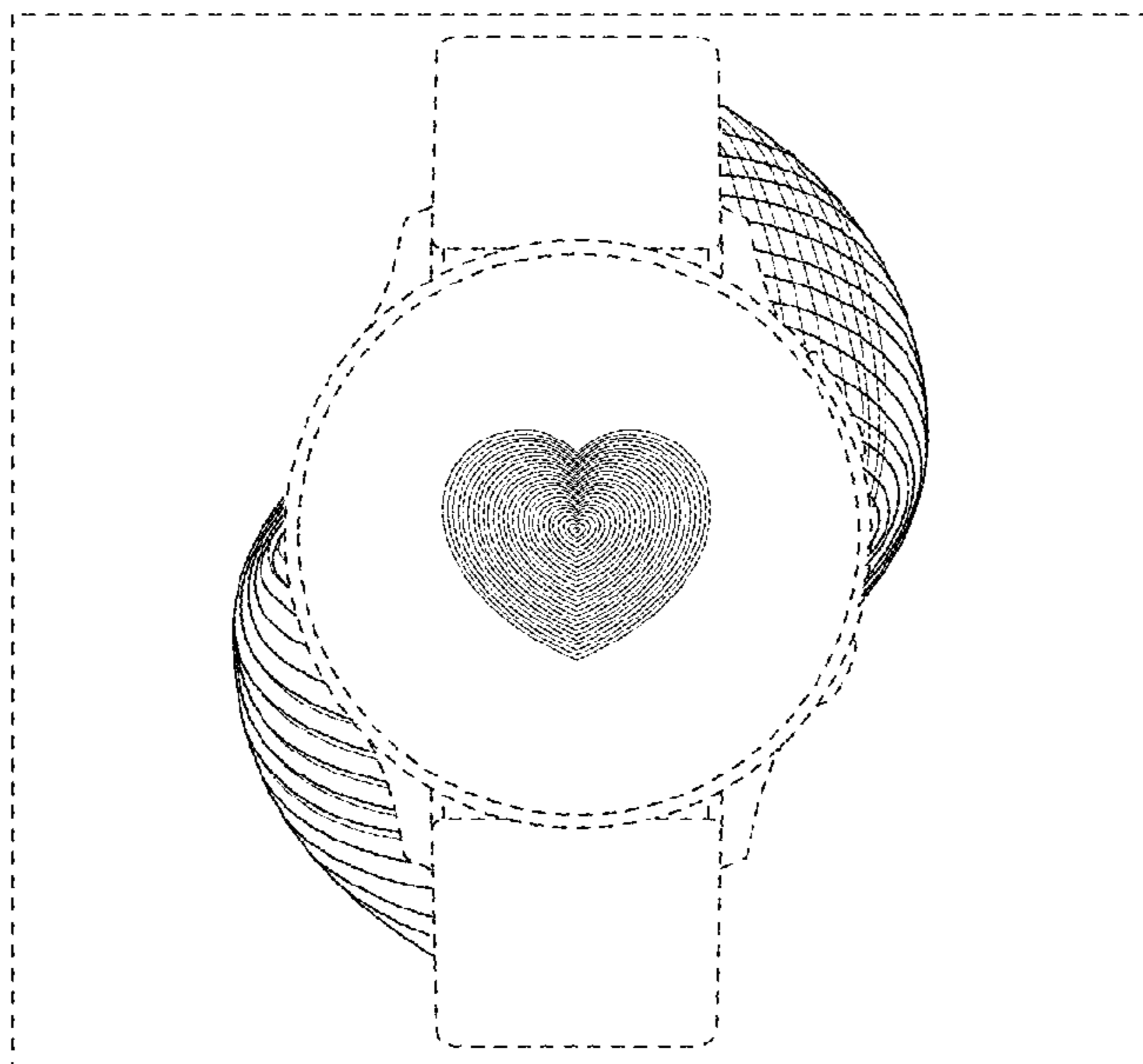


FIG. 2

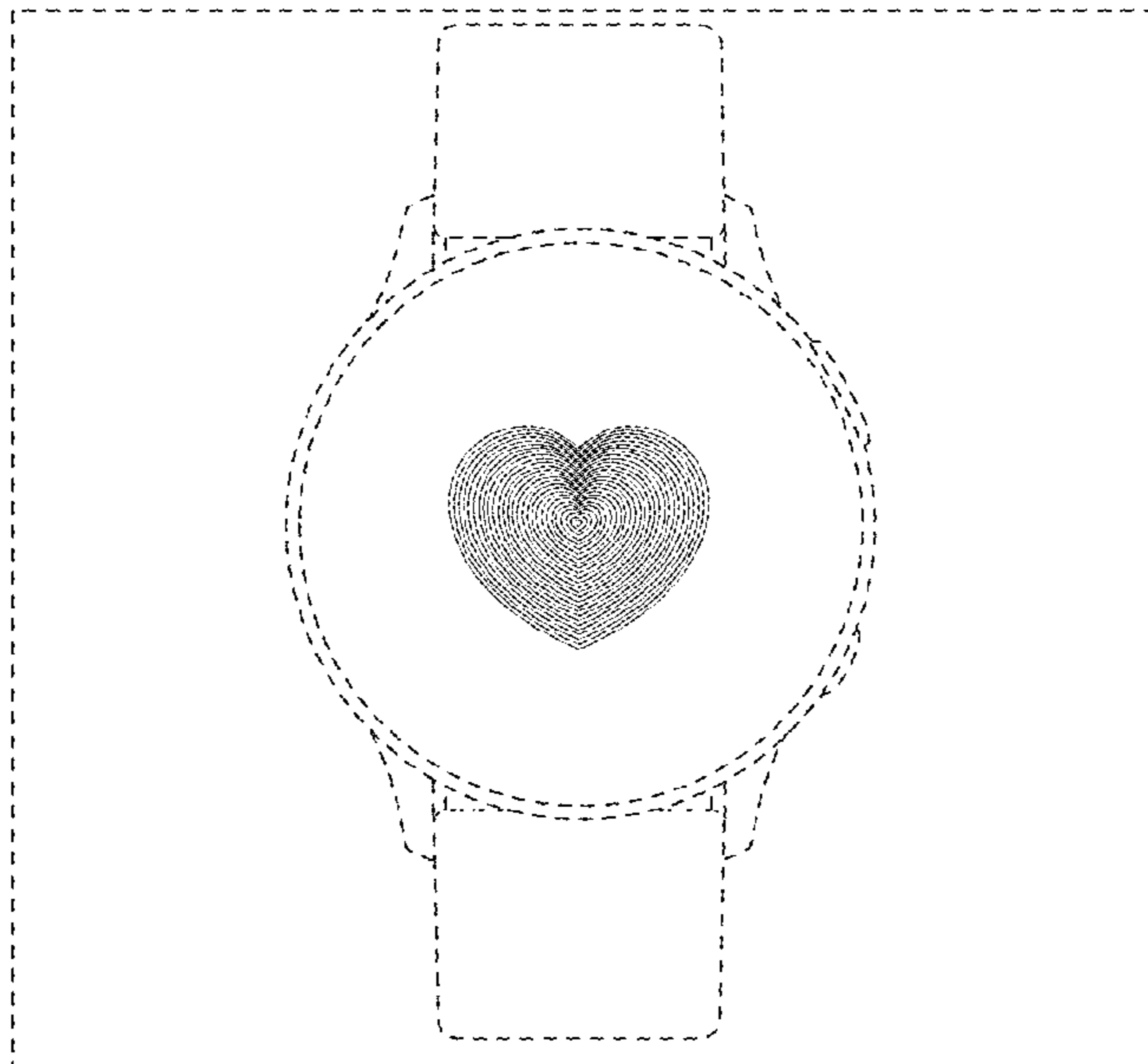


FIG. 3

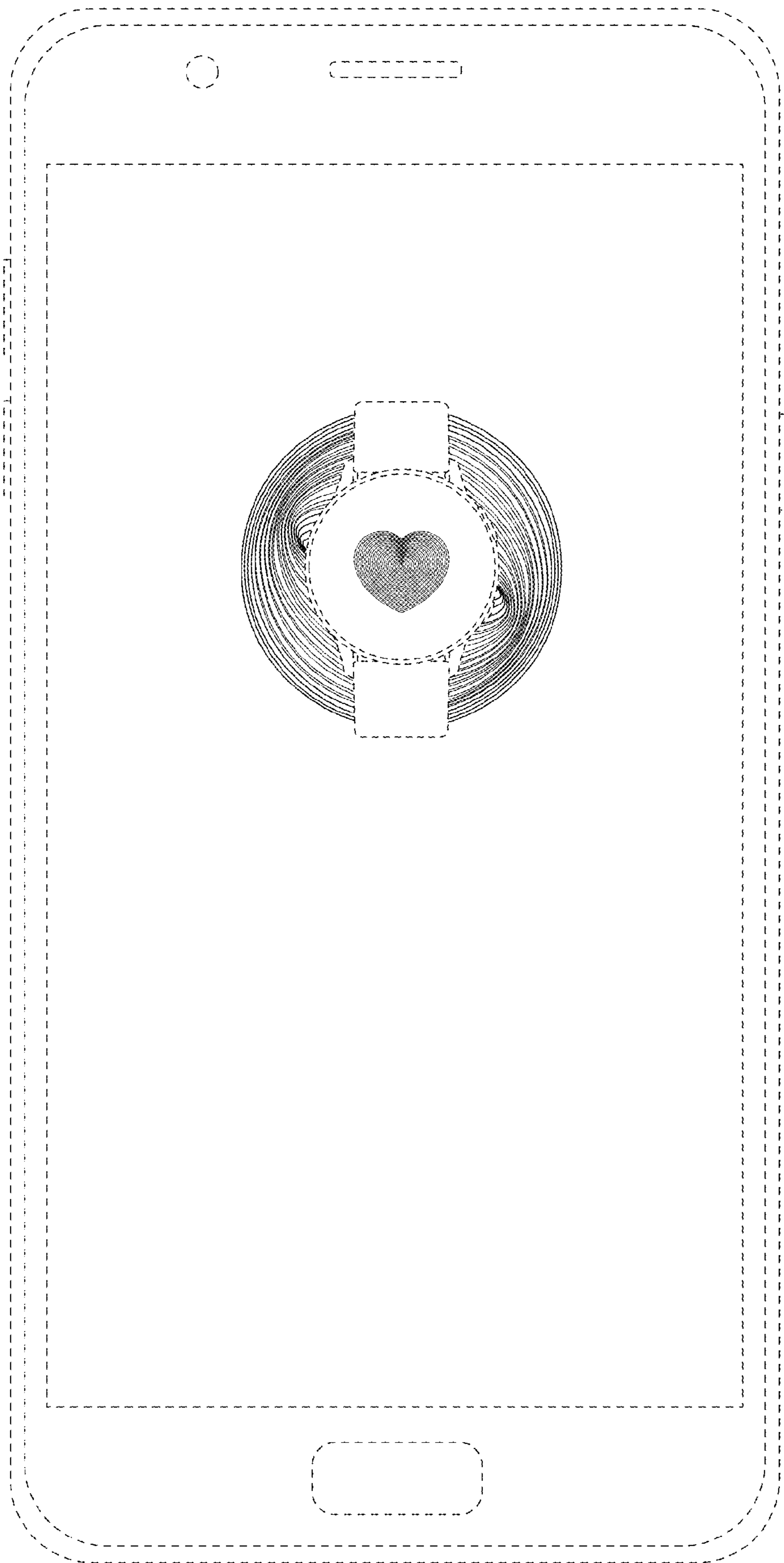


FIG. 4

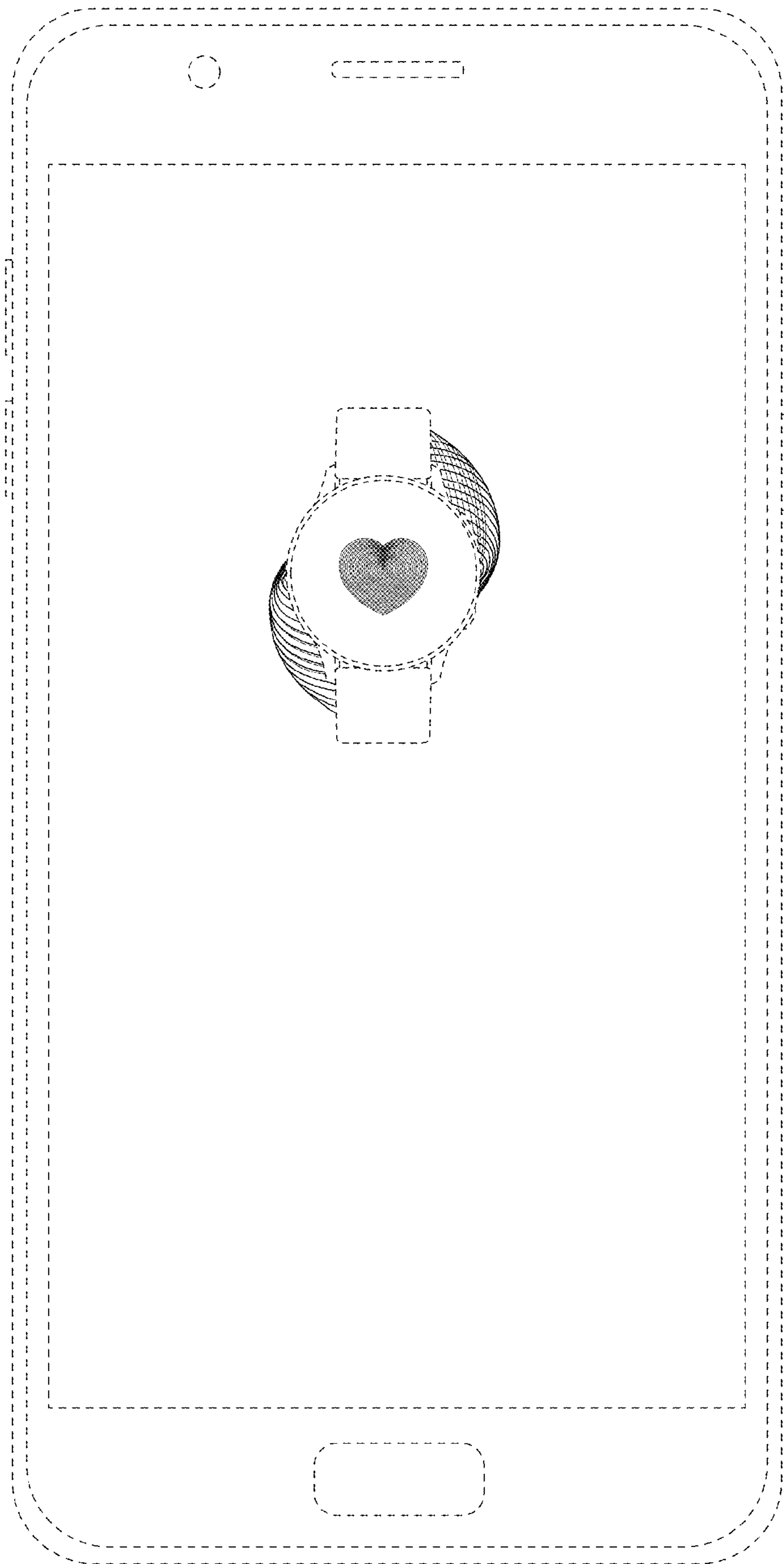


FIG. 5

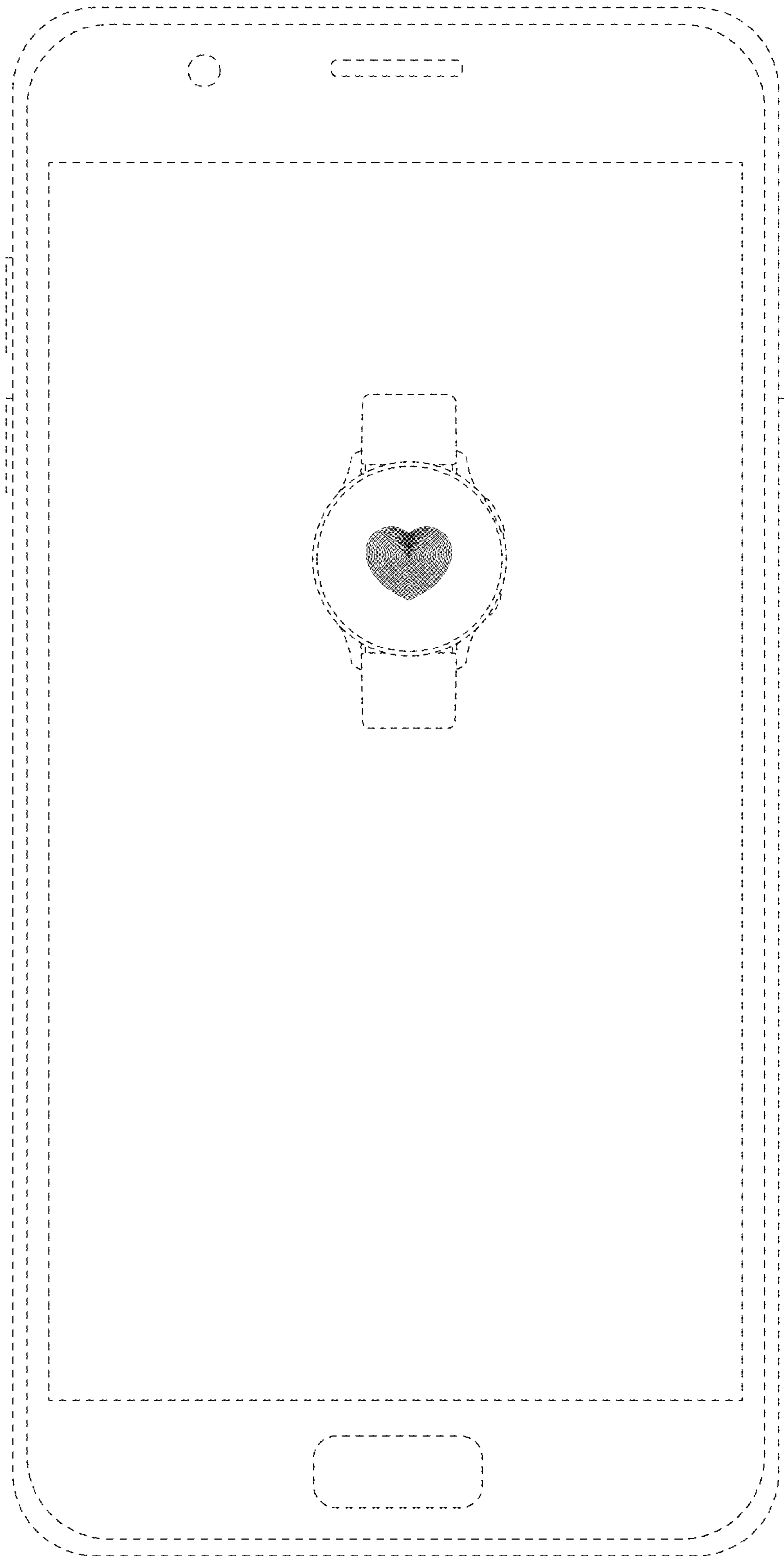


FIG. 6

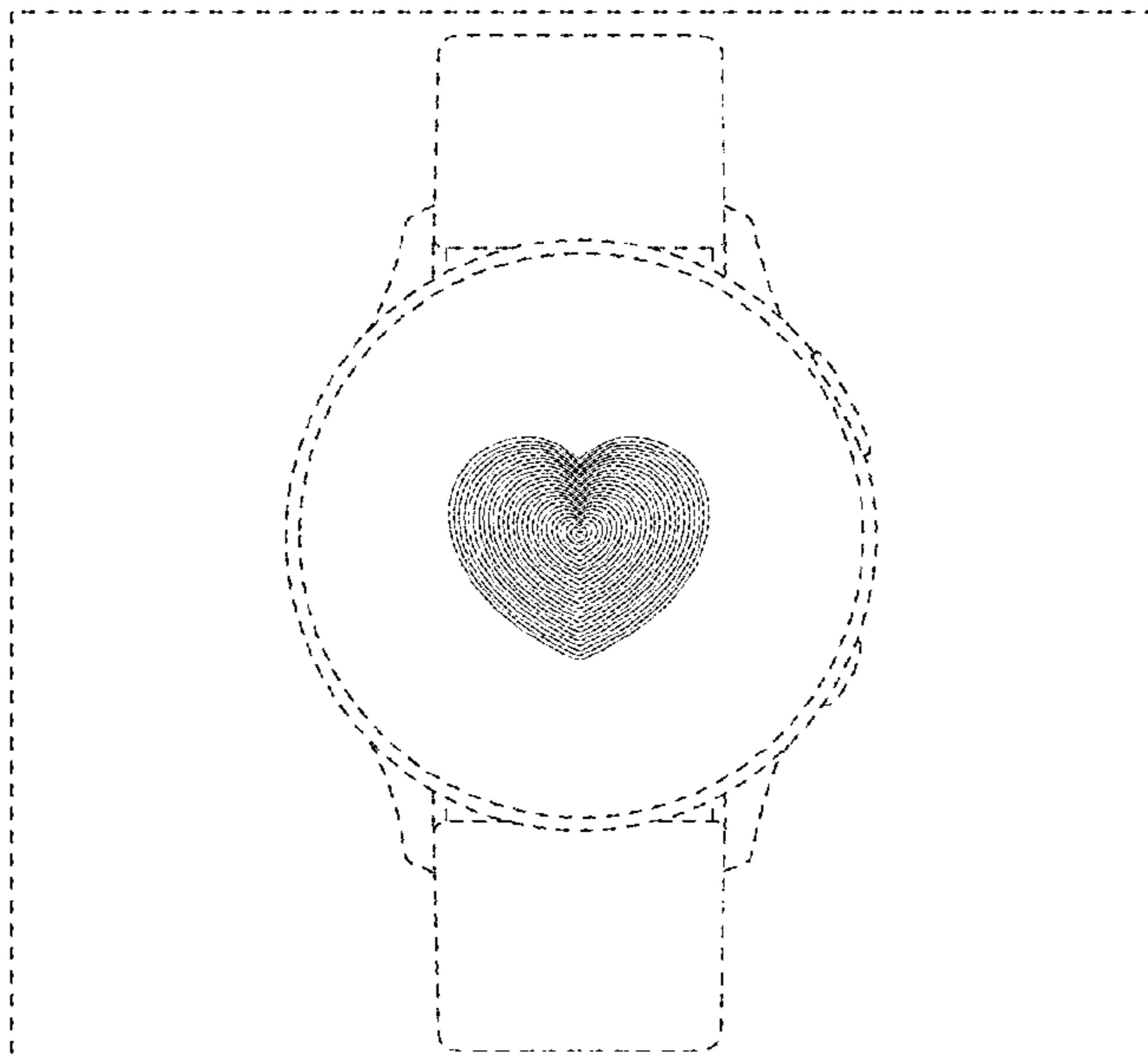


FIG. 7

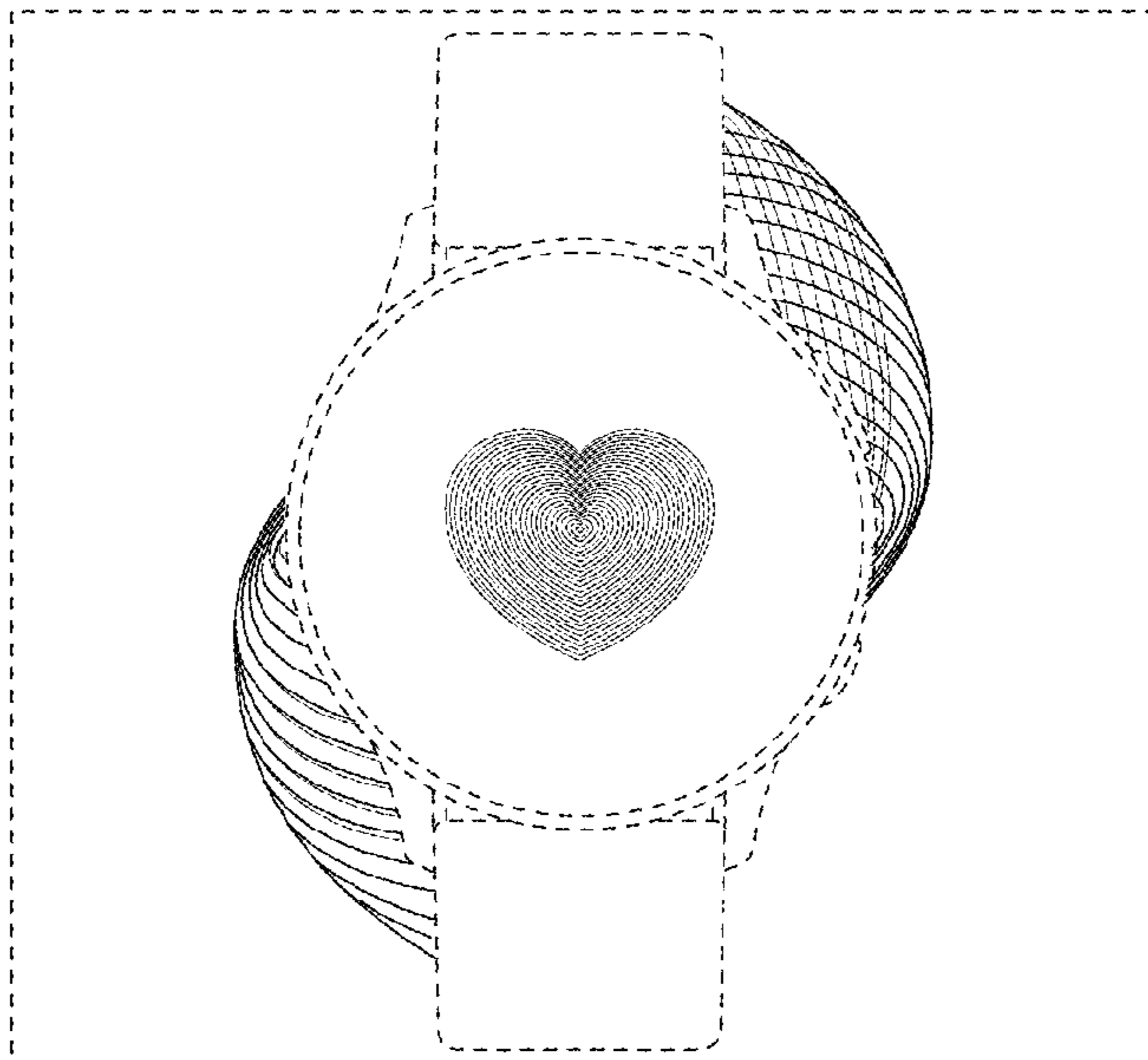


FIG. 8

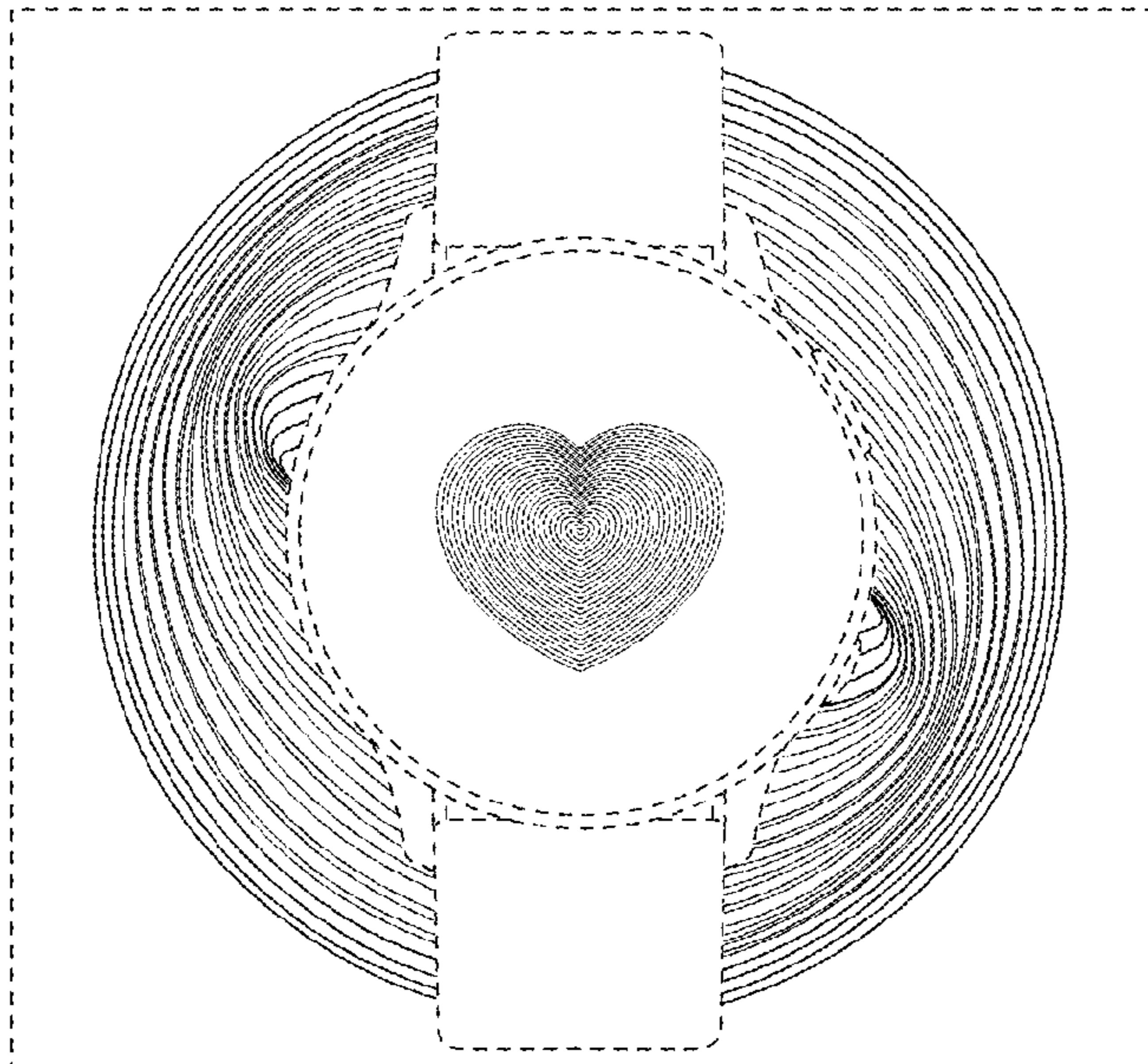


FIG. 9

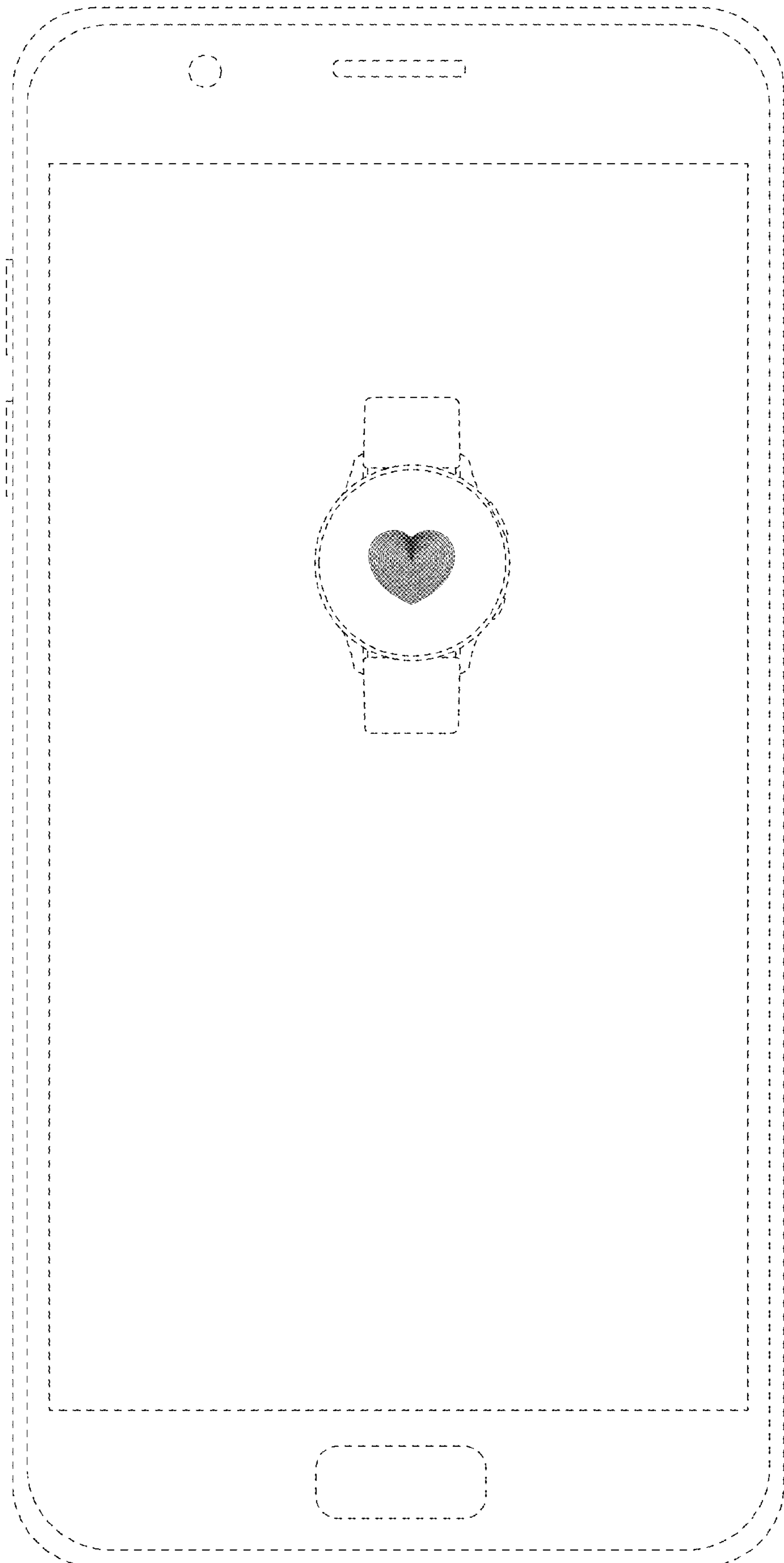


FIG. 10

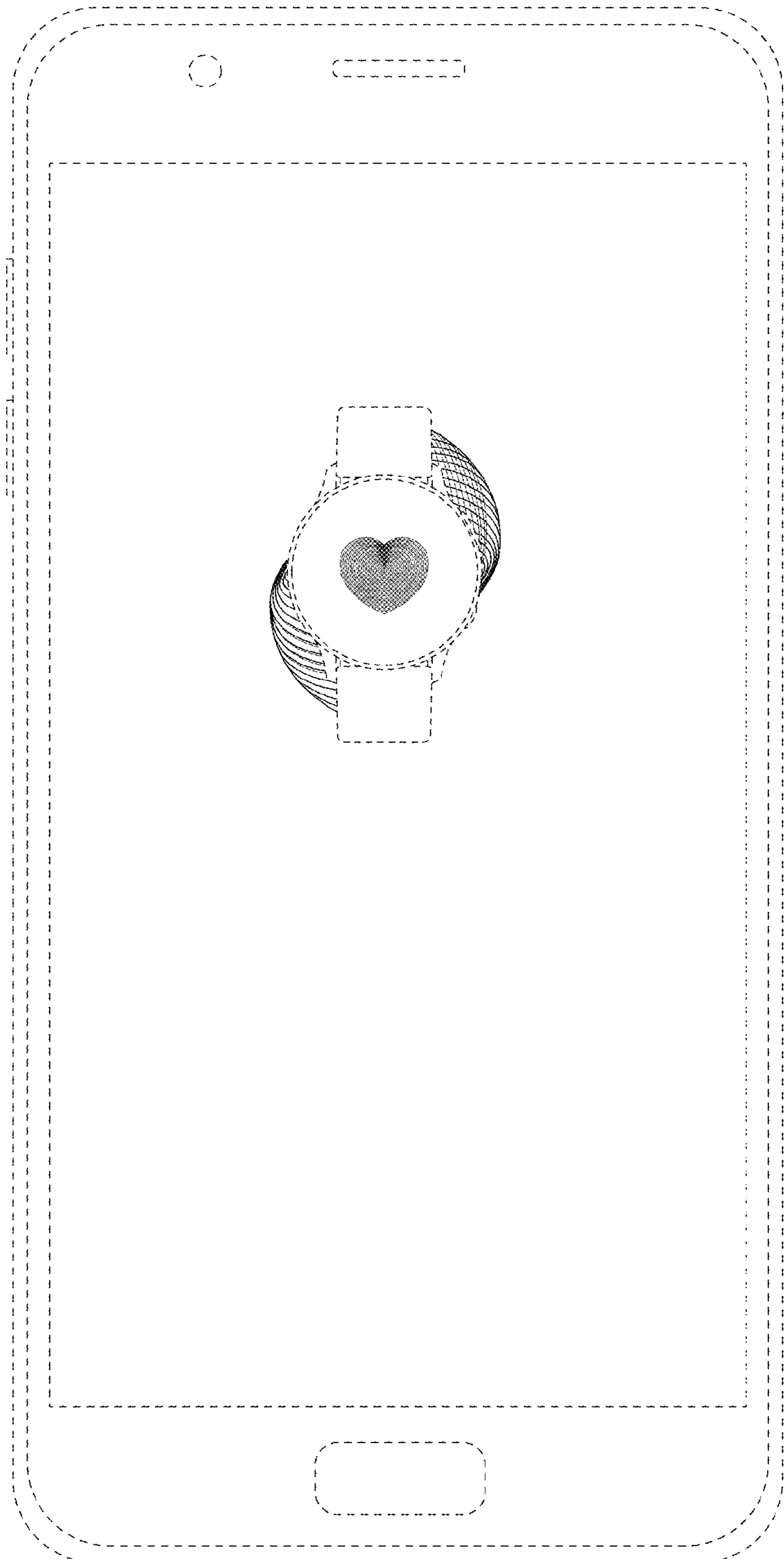


FIG. 11

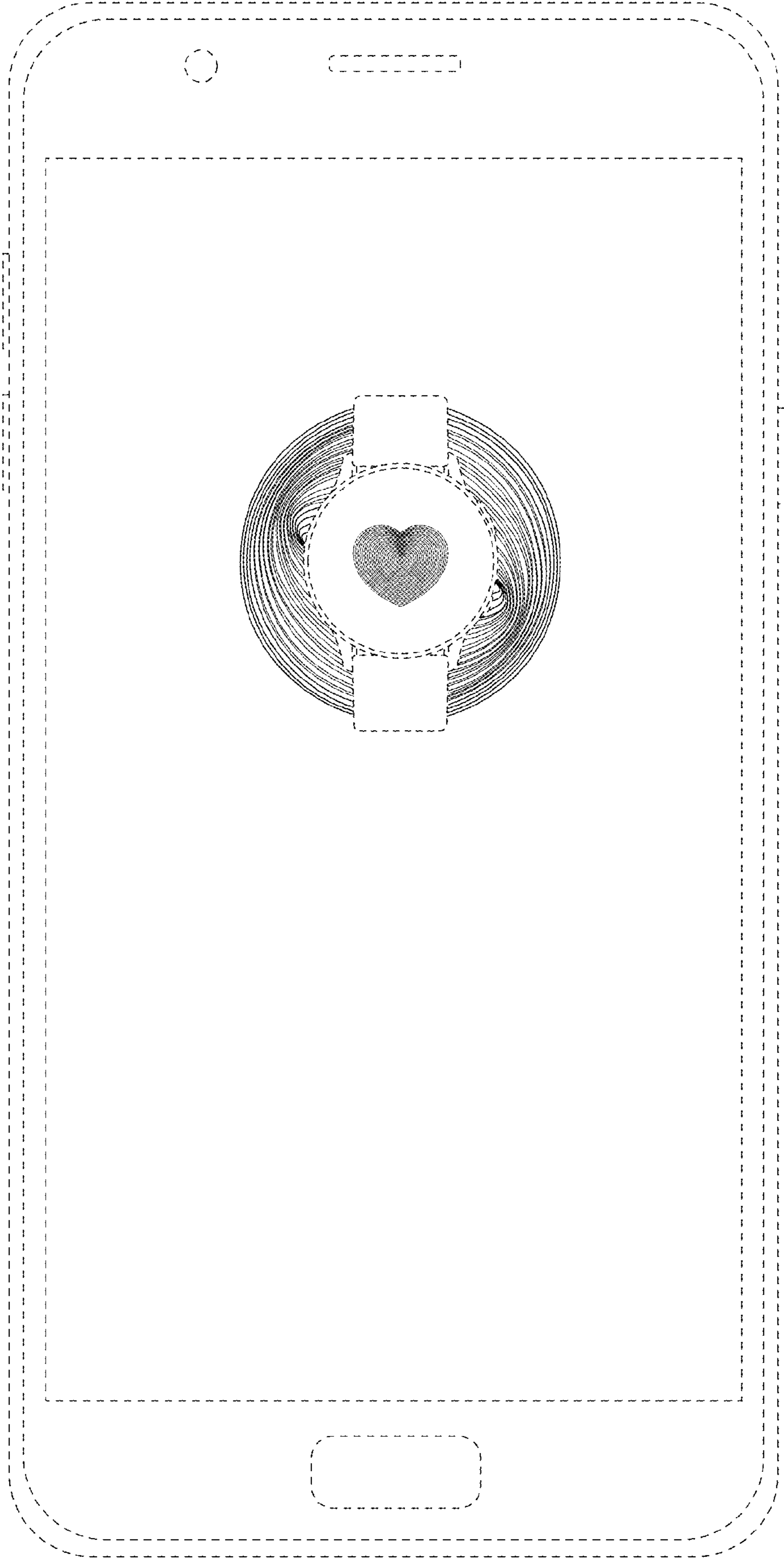


FIG. 12

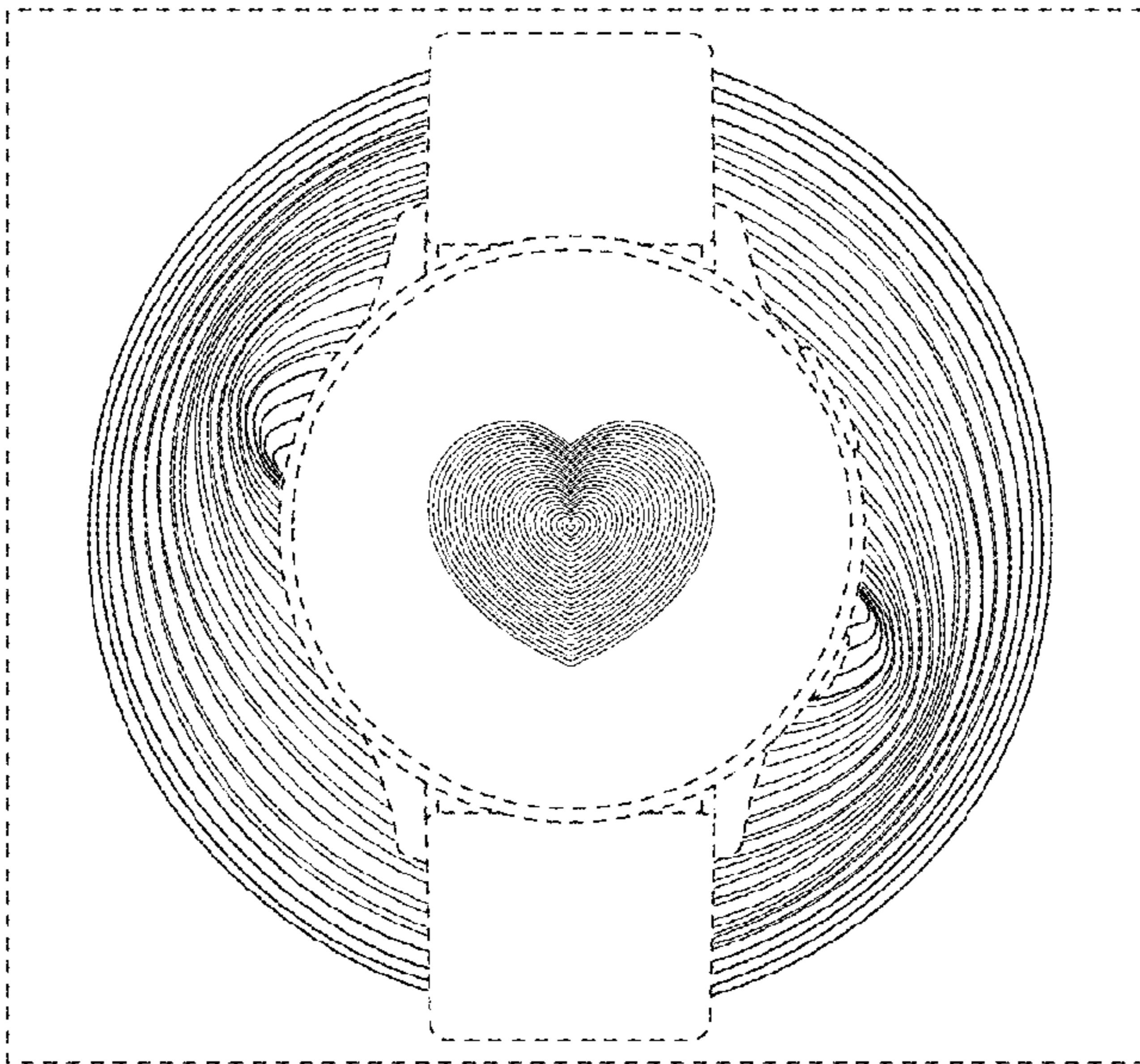


FIG. 13

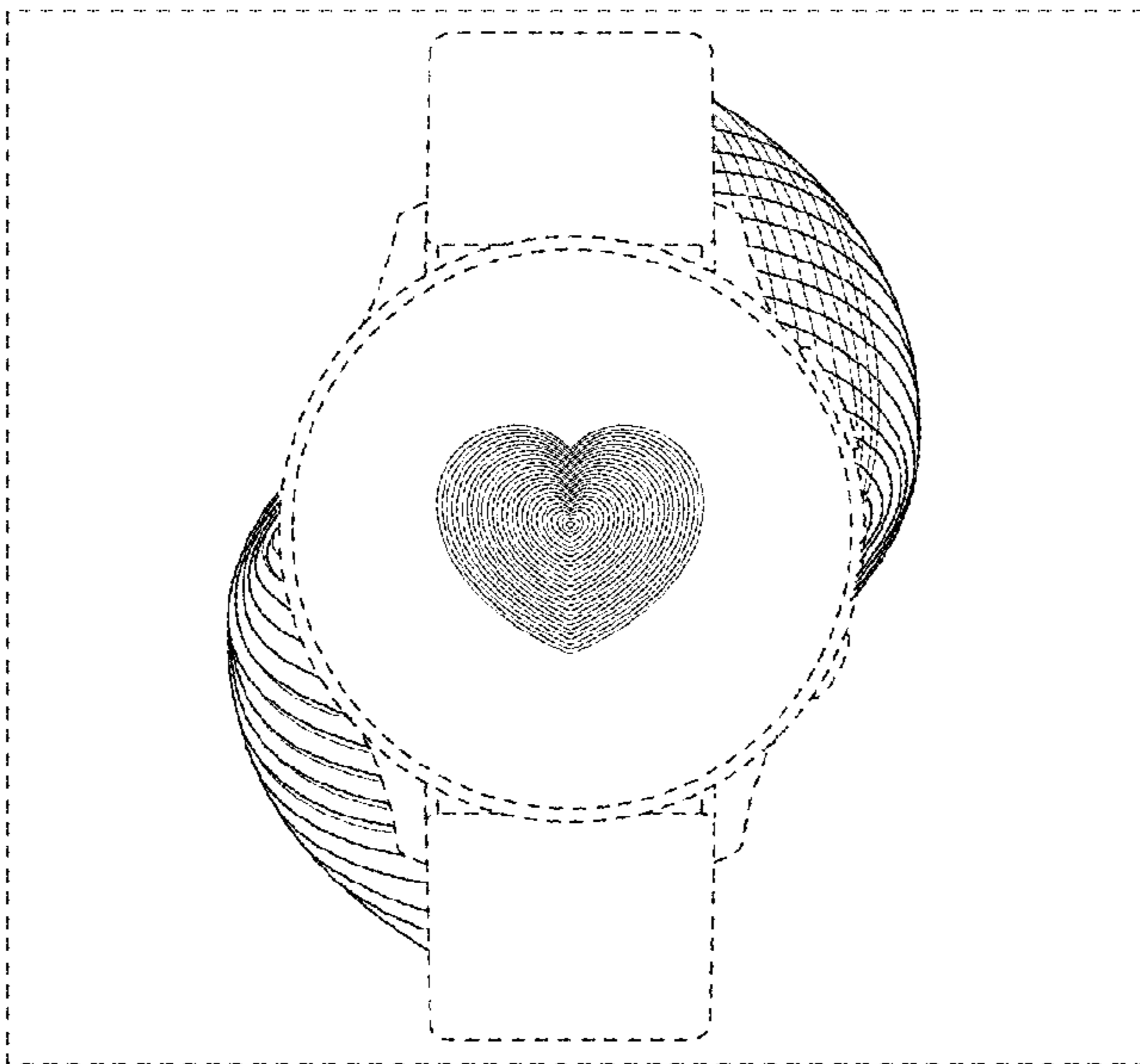


FIG. 14

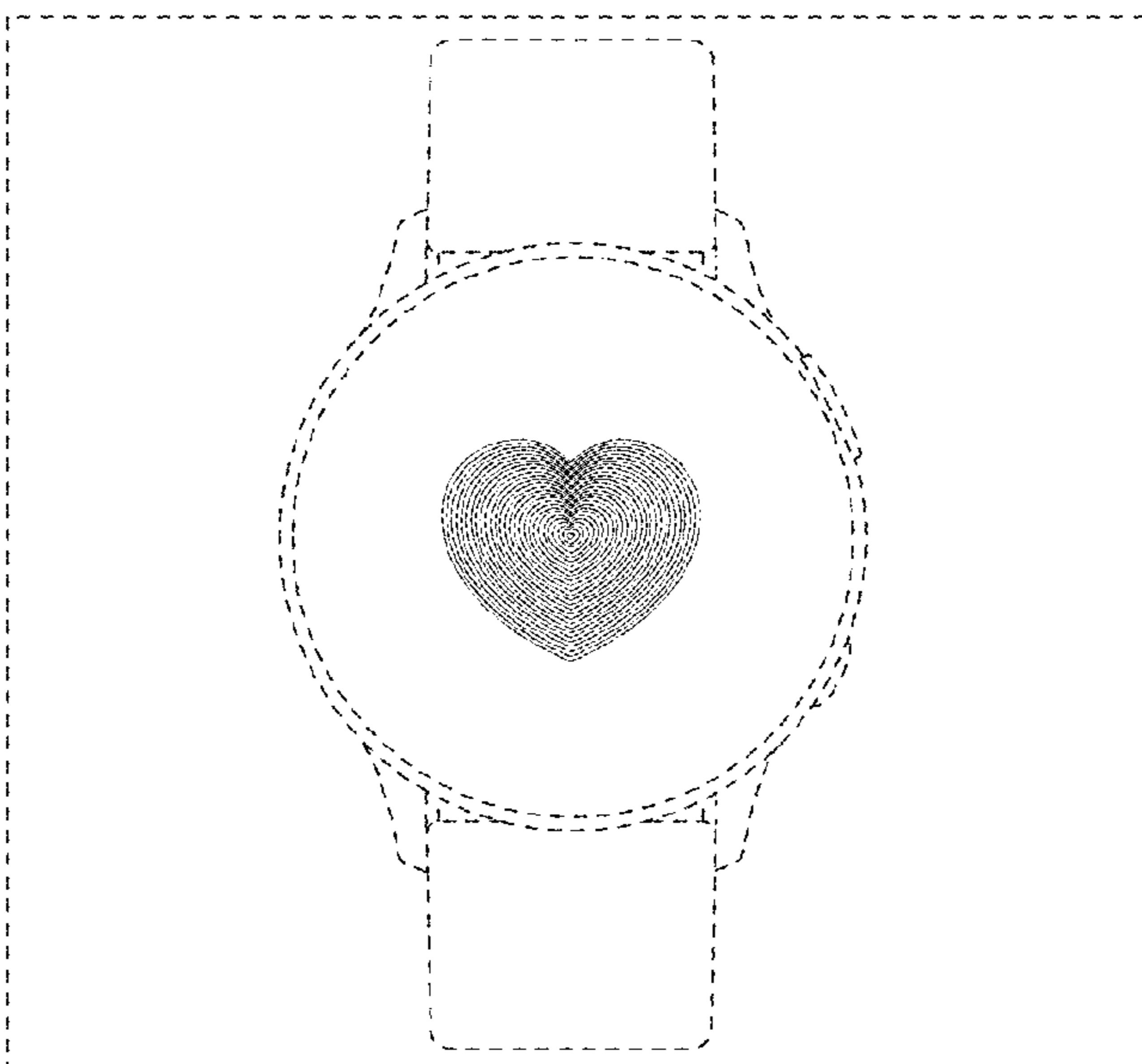


FIG. 15

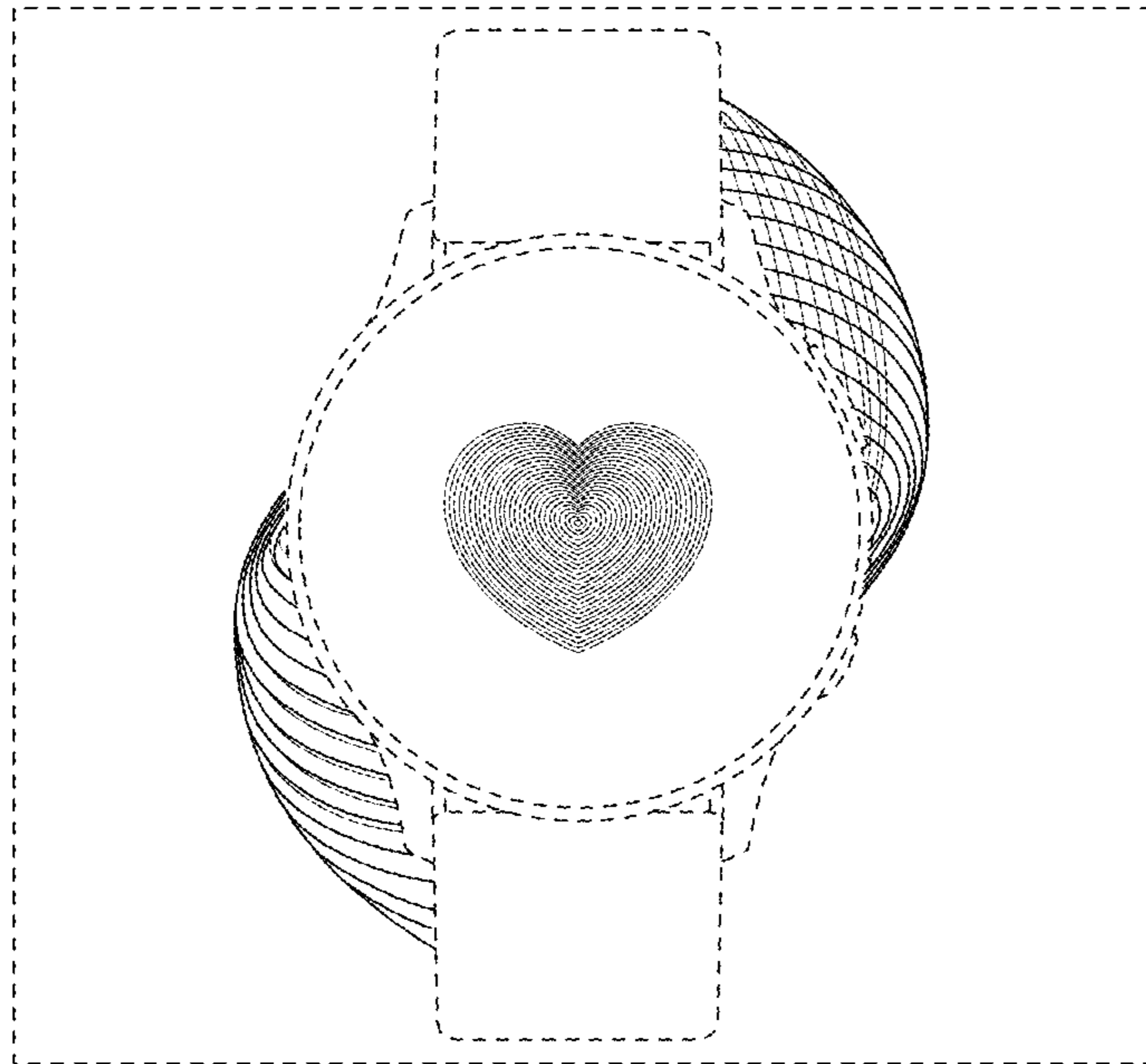


FIG. 16

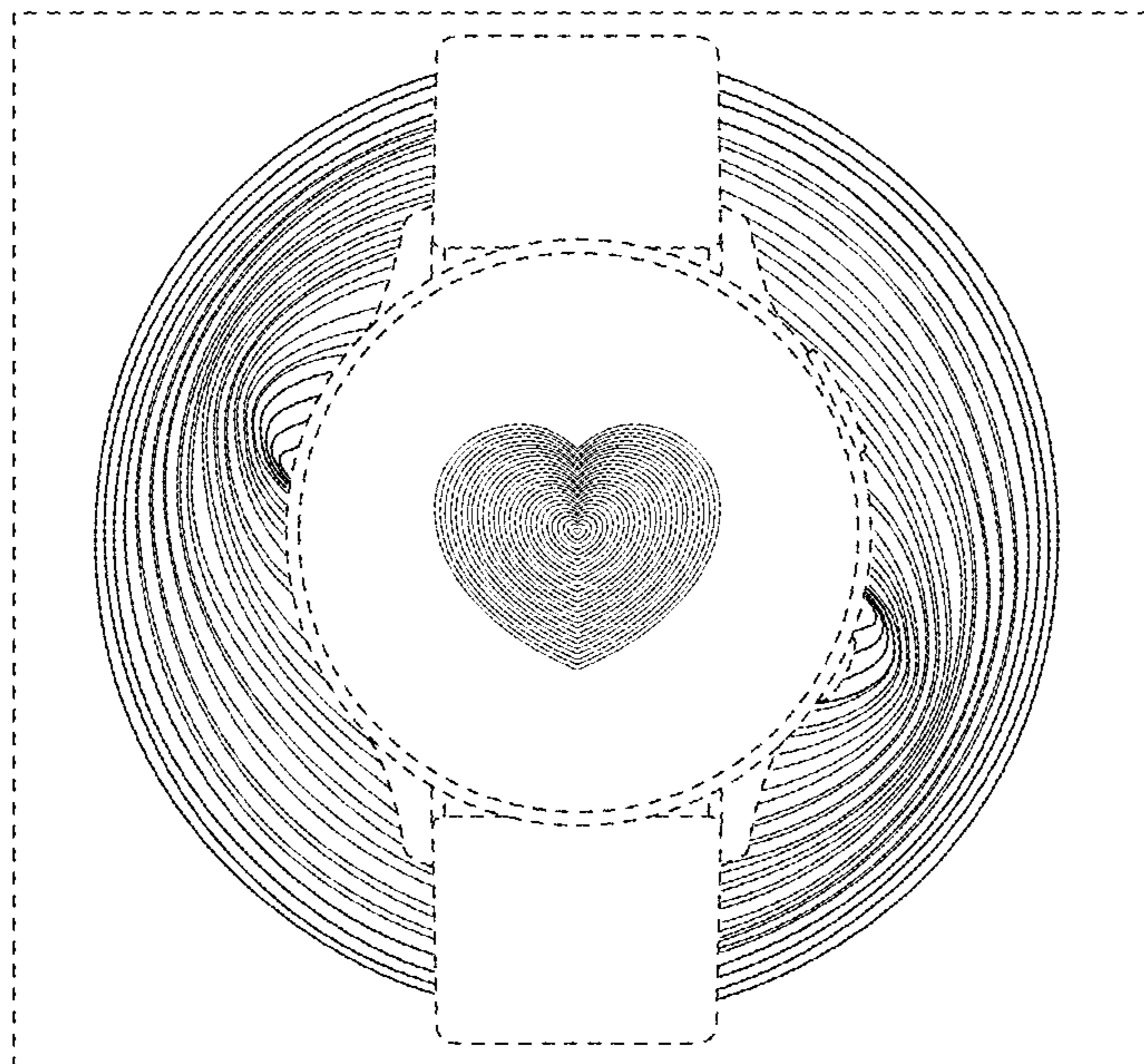


FIG. 17

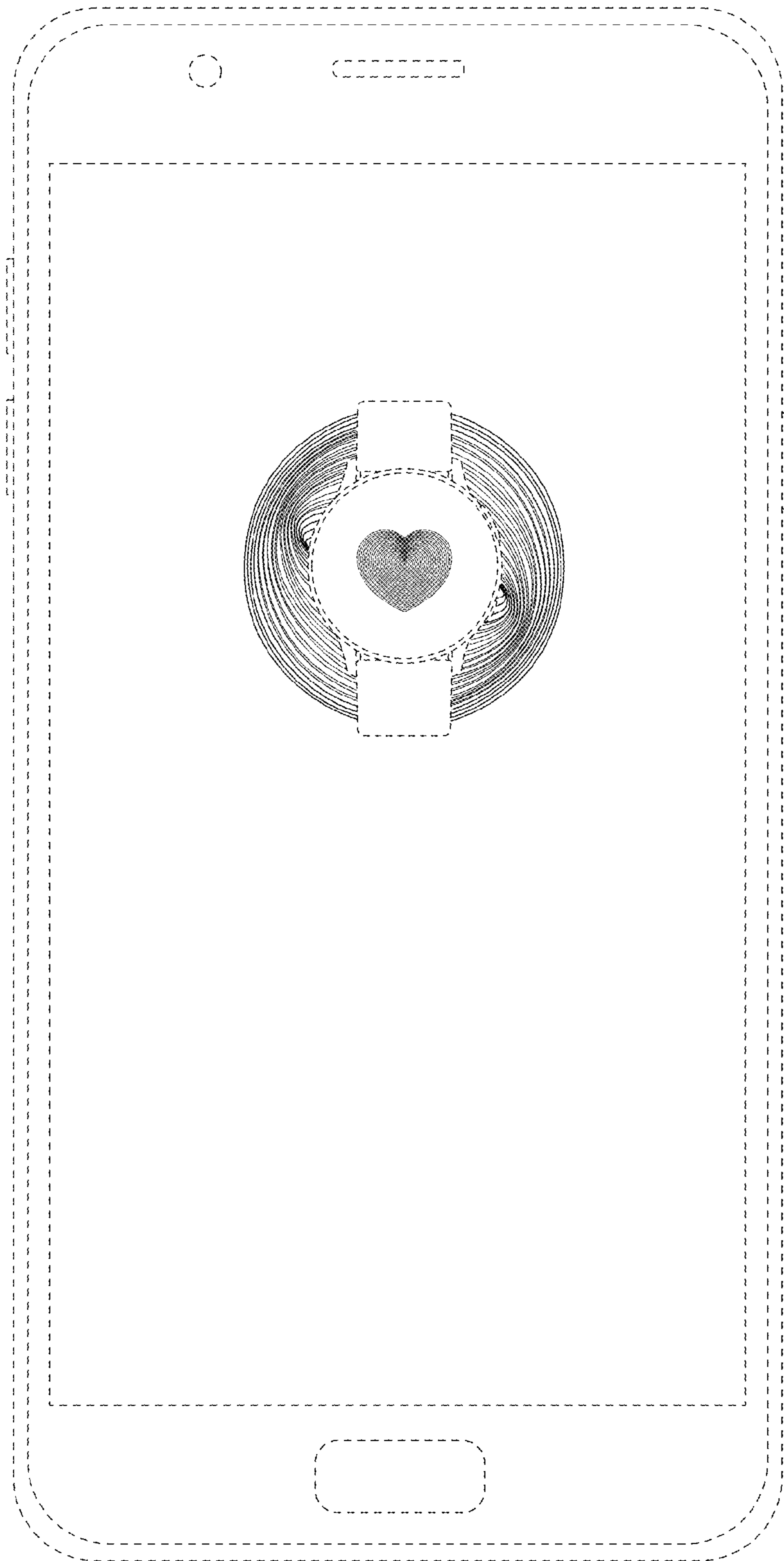


FIG. 18

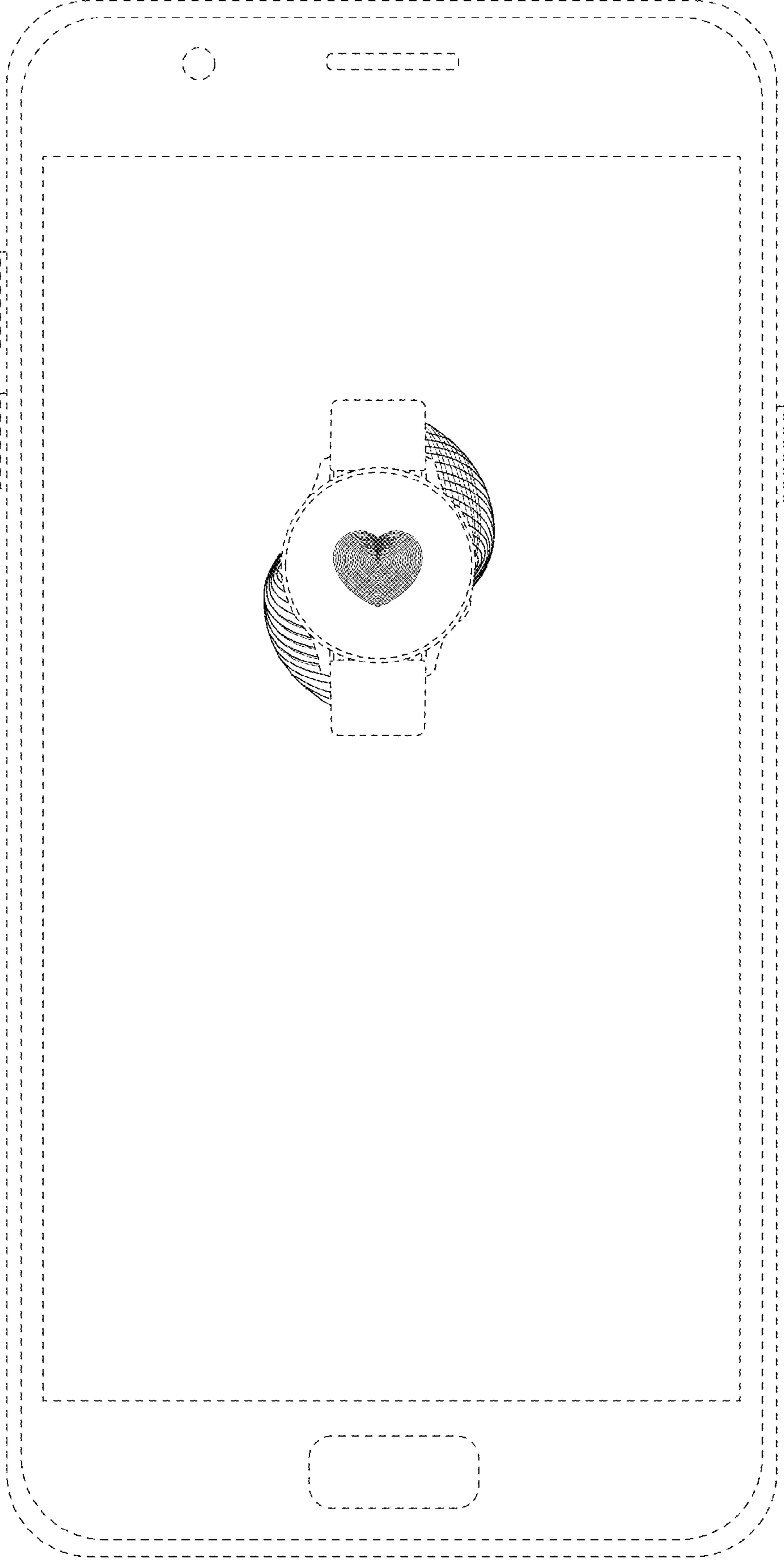


FIG. 19

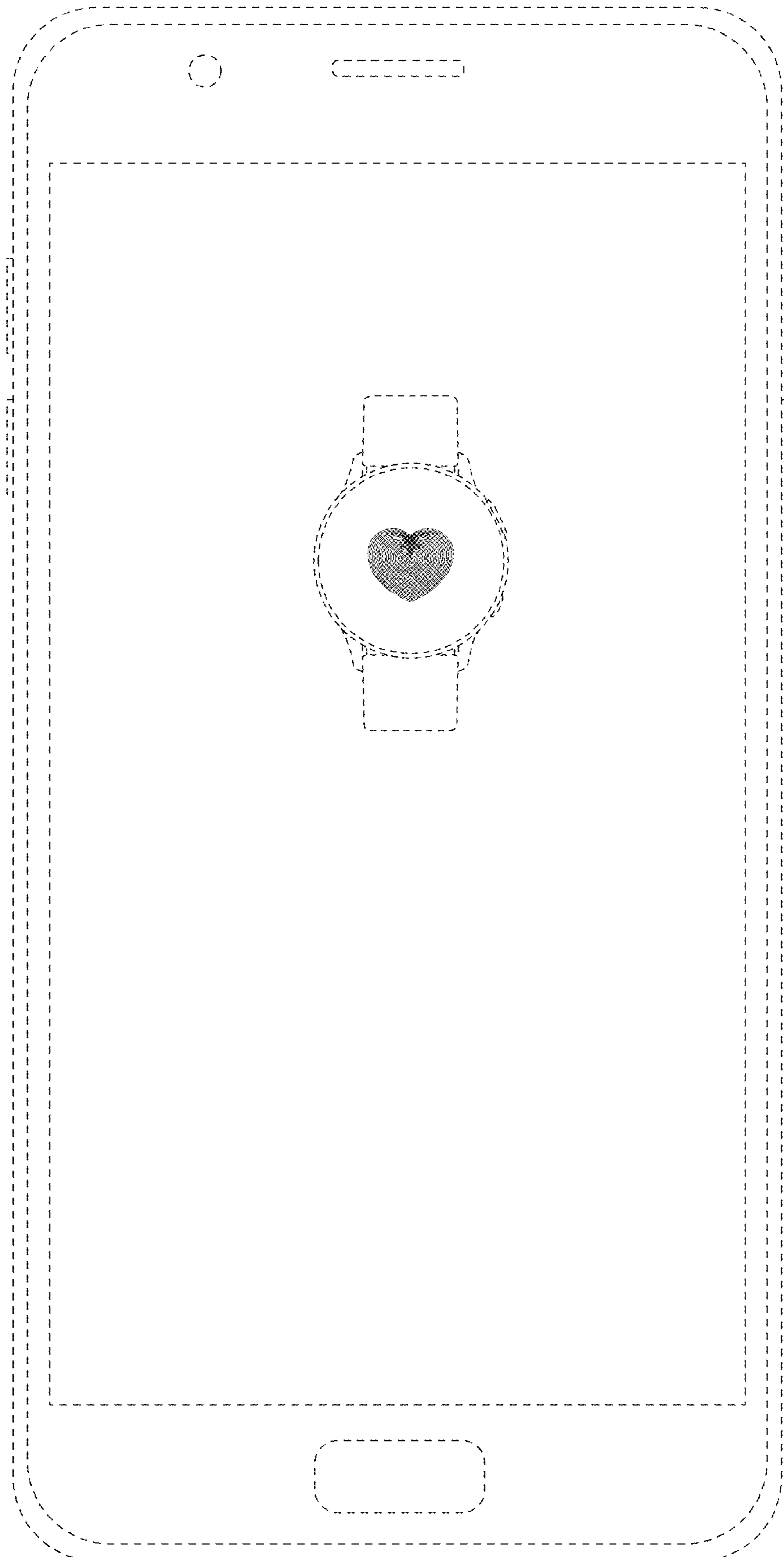


FIG. 20

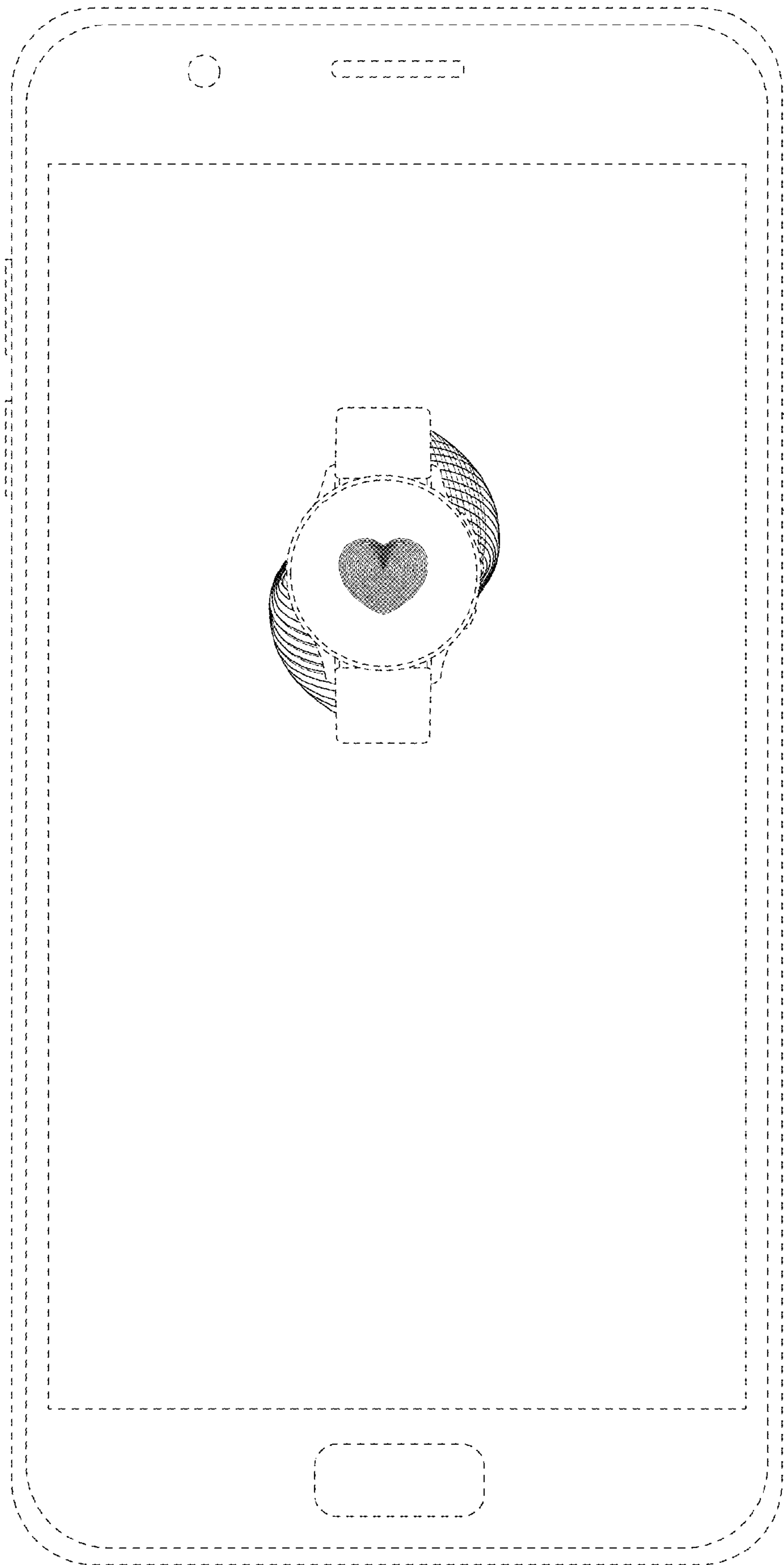


FIG. 21

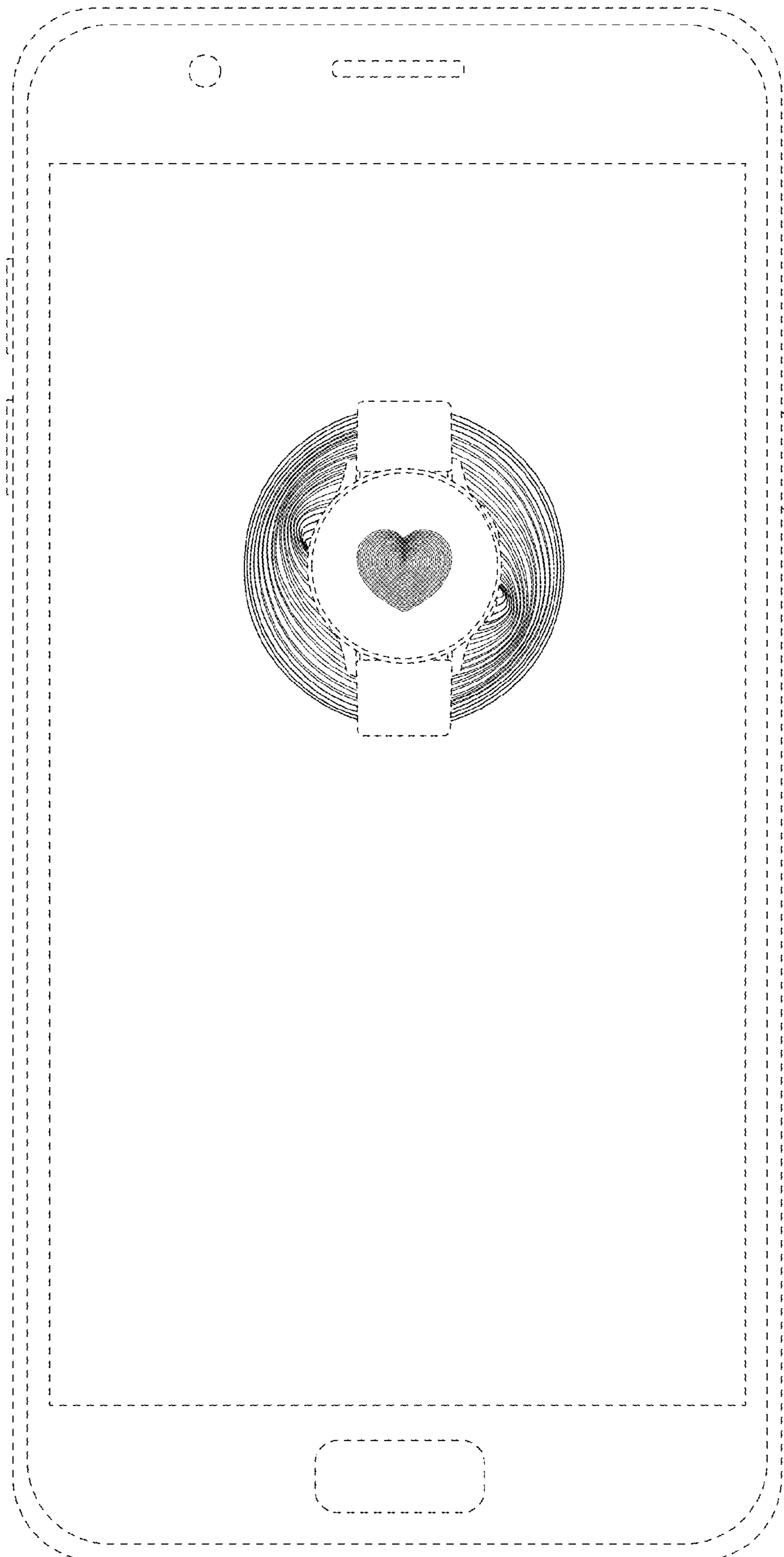


FIG. 22