

US00D978884S

(12) **United States Design Patent** (10) **Patent No.:** **US D978,884 S**  
**Cabrera, Jr. et al.** (45) **Date of Patent:** **\*\* Feb. 21, 2023**

(54) **DISPLAY SCREEN OR PORTION THEREOF WITH GRAPHICAL USER INTERFACE FOR ANALYTE DATA PRESENTATION**

(71) Applicant: **DexCom, Inc.**, San Diego, CA (US)

(72) Inventors: **Esteban Cabrera, Jr.**, San Diego, CA (US); **Katherine Yerre Koehler**, San Diego, CA (US); **Brian Christopher Smith**, San Marcos, CA (US); **Eric Cohen**, San Diego, CA (US); **Rian Draeger**, San Diego, CA (US); **Paul Kramer**, Austin, TX (US); **Paul Noble-Campbell**, Austin, TX (US); **Eli Reihman**, San Diego, CA (US); **Leif N. Bowman**, San Diego, CA (US)

(73) Assignee: **DexCom, Inc.**, San Diego, CA (US)

(\*\*) Term: **15 Years**

(21) Appl. No.: **29/782,667**

(22) Filed: **May 7, 2021**

**Related U.S. Application Data**

(60) Continuation of application No. 29/681,553, filed on Feb. 26, 2019, now abandoned, which is a division of (Continued)

(51) **LOC (14) Cl.** ..... **14-04**

(52) **U.S. Cl.**  
USPC ..... **D14/485**

(58) **Field of Classification Search**  
USPC ..... 345/1.1, 1.2, 2.1-2.3, 3.1, 902; 715/763, 715/810, 836, 837, 846, 847, 977; D14/485-495  
CPC ..... B60K 37/00; G06F 3/048-04897; G06F 3/013; G06F 3/017; G06F 3/165; G06F 3/197; G06F 17/212; G06T 13/80; G06T 15/02; H04M 1/6075; H04M 3/567; H04M 1/2477; H04M 1/26; H04M 1/274582;

(Continued)

(56) **References Cited**

**U.S. PATENT DOCUMENTS**

7,107,541 B2 9/2006 Sakai  
7,709,229 B2\* 5/2010 Casatorres Hernandez .....  
A61P 43/00  
435/70.3

(Continued)

**OTHER PUBLICATIONS**

Dexcom Inc., "Dexcom G4 Platinum Continuous Glucose Monitoring System Users Guide," 2014, 225 pages.  
Dexcom Inc., "Dexcom Share User Manual," 2014, 100 pages.

*Primary Examiner* — Cary M Robinson

(74) *Attorney, Agent, or Firm* — Snell & Wilmer LLP

(57) **CLAIM**

The ornamental design for a display screen or portion thereof with graphical user interface for analyte data presentation, as shown and described.

**DESCRIPTION**

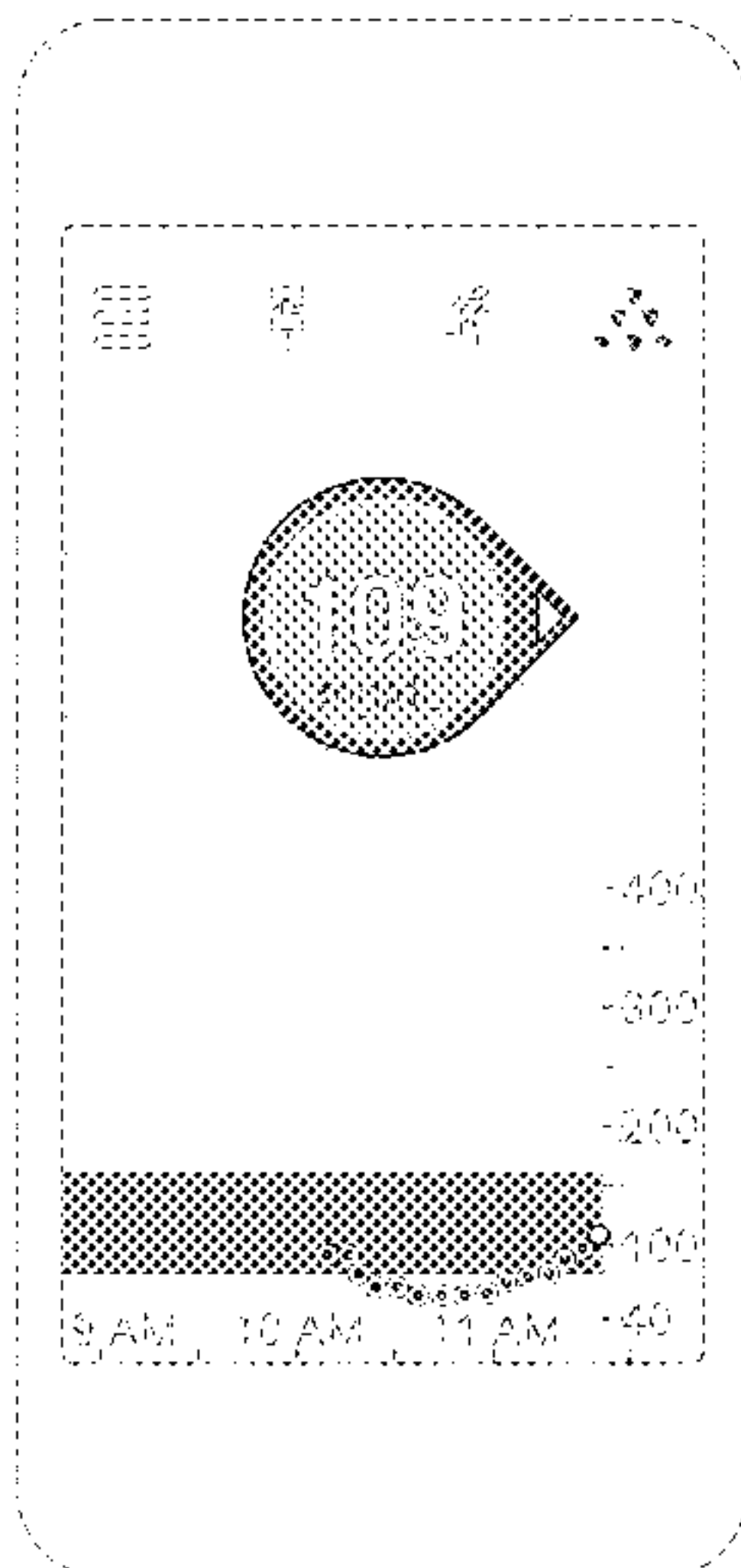
The file of this patent contains at least one drawing executed in color. Copies of this patent with color drawings will be provided by the Office upon request and payment of the necessary fee.

FIG. 1 shows a front view of a first embodiment of a display screen or portion thereof with graphical user interface for analyte data presentation that incorporates the new, original, and ornamental design; and,

FIG. 2 shows a front view of a second embodiment of the display screen or portion thereof with graphical user interface for analyte data presentation that incorporates the new, original, and ornamental design.

The broken lines showing the display screen and portions of the graphical user interface are for environmental purposes only and form no part of the claimed design.

**1 Claim, 1 Drawing Sheet**  
**(1 of 1 Drawing Sheet(s) Filed in Color)**



**Related U.S. Application Data**

application No. 29/648,885, filed on May 24, 2018, now Pat. No. Des. 844,642, which is a division of application No. 29/594,236, filed on Feb. 16, 2017, now Pat. No. Des. 819,660, which is a division of application No. 29/509,281, filed on Nov. 14, 2014, now Pat. No. Des. 779,504.

(58) **Field of Classification Search**

CPC . H04L 12/581; H04L 12/813; H04L 12/1813; G06Q 10/10; H04N 7/16  
See application file for complete search history.

(56) **References Cited**

U.S. PATENT DOCUMENTS

D650,789 S 12/2011 Arnold  
D665,411 S \* 8/2012 Rai ..... D14/488  
D665,423 S \* 8/2012 Impas ..... D14/493  
8,464,151 B2 \* 6/2013 Miyazawa ..... G06F 40/174  
715/271  
D693,365 S \* 11/2013 Gardner ..... D14/489  
D693,843 S \* 11/2013 Gardner ..... D14/489  
8,635,046 B2 1/2014 Budiman  
D701,233 S 3/2014 Heong et al.  
D706,826 S \* 6/2014 McLean ..... D14/491  
D725,664 S 3/2015 Nies et al.  
D726,758 S 4/2015 Bourret et al.  
D741,879 S 10/2015 Chapman et al.  
9,235,683 B2 1/2016 Robertson et al.  
D748,668 S 2/2016 Kim et al.  
D750,110 S 2/2016 Amin et al.  
9,285,972 B2 \* 3/2016 Krane ..... G06F 3/04845  
D753,155 S 4/2016 Nies et al.  
D753,687 S 4/2016 Anzures et al.  
D753,693 S 4/2016 Hashimoto  
D756,373 S \* 5/2016 Raskin ..... D14/485  
D757,071 S \* 5/2016 Kouvas ..... D14/486  
D773,529 S \* 12/2016 Cabrera, Jr. .... D14/490  
D779,504 S \* 2/2017 Cabrera, Jr. .... D14/485  
D779,505 S \* 2/2017 Cabrera, Jr. .... D14/485  
D786,921 S \* 5/2017 Akana ..... D14/489  
D789,391 S \* 6/2017 Cabrera, Jr. .... D14/486  
D789,968 S \* 6/2017 Mensinger ..... D14/486  
9,730,621 B2 8/2017 Cohen et al.  
9,743,373 B2 \* 8/2017 Rudow ..... G01S 5/16  
D799,542 S \* 10/2017 Cabrera, Jr. .... D14/490  
D813,877 S \* 3/2018 Hough ..... D14/485  
9,974,903 B1 5/2018 Davis et al.  
D819,660 S \* 6/2018 Cabrera, Jr. .... D14/485  
D820,283 S \* 6/2018 Cabrera, Jr. .... D14/485  
D820,311 S \* 6/2018 Cabrera, Jr. .... D14/490

D820,855 S \* 6/2018 Naghdy ..... D14/485  
D826,267 S \* 8/2018 Silva ..... D14/489  
D836,724 S \* 12/2018 Kurscheidt ..... D20/27  
D839,897 S \* 2/2019 Graham ..... D14/486  
D844,642 S \* 4/2019 Cabrera, Jr. .... D14/485  
D844,643 S \* 4/2019 Cabrera, Jr. .... D14/485  
D846,590 S \* 4/2019 Cabrera, Jr. .... D14/487  
D847,159 S \* 4/2019 Cabrera, Jr. .... D14/485  
D857,029 S \* 8/2019 Raji ..... D14/485  
D870,773 S \* 12/2019 Marrufo ..... D14/489  
D891,467 S \* 7/2020 Kouva ..... D14/491  
D896,829 S \* 9/2020 Shi ..... D14/486  
D901,538 S \* 11/2020 Cabrera, Jr. .... D14/490  
2002/0010938 A1 \* 1/2002 Zhang ..... H04L 47/15  
725/95  
2005/0015009 A1 \* 1/2005 Mourad ..... A61B 5/7267  
600/438  
2007/0093721 A1 4/2007 Lynn et al.  
2009/0276724 A1 \* 11/2009 Rosenthal ..... G06F 16/338  
715/771  
2010/0023865 A1 \* 1/2010 Fulker ..... H04L 67/025  
715/734  
2010/0261987 A1 10/2010 Kamath et al.  
2011/0078560 A1 3/2011 Weeldreyer et al.  
2011/0193704 A1 8/2011 Harper et al.  
2011/0201911 A1 8/2011 Johnson et al.  
2012/0327009 A1 12/2012 Fleizach  
2013/0032149 A1 2/2013 Robinson et al.  
2013/0179840 A1 \* 7/2013 Fisher ..... G06F 3/0488  
715/835  
2013/0276785 A1 10/2013 Melker et al.  
2014/0012510 A1 1/2014 Mensinger et al.  
2014/0088393 A1 3/2014 Bernstein et al.  
2014/0180049 A1 6/2014 Brauker et al.  
2014/0184422 A1 7/2014 Mensinger et al.  
2014/0187890 A1 7/2014 Mensinger et al.  
2014/0188398 A1 7/2014 Cohen et al.  
2014/0200426 A1 7/2014 Taub et al.  
2014/0277857 A1 9/2014 Bourret et al.  
2014/0374275 A1 12/2014 Morales et al.  
2015/0074615 A1 3/2015 Han et al.  
2015/0205930 A1 7/2015 Shaanan et al.  
2015/0213211 A1 \* 7/2015 Zaleski ..... G16H 10/60  
715/753  
2015/0227710 A1 8/2015 Pappada  
2016/0113594 A1 4/2016 Koehler et al.  
2016/0113596 A1 4/2016 Koehler et al.  
2016/0119210 A1 4/2016 Koehler et al.  
2016/0324463 A1 \* 11/2016 Simpson ..... A61B 5/0077  
2017/0332952 A1 \* 11/2017 Desborough ..... A61M 5/003  
2018/0200435 A1 \* 7/2018 Mazlish ..... A61B 5/14532  
2018/0200438 A1 \* 7/2018 Mazlish ..... A61M 5/1723

\* cited by examiner



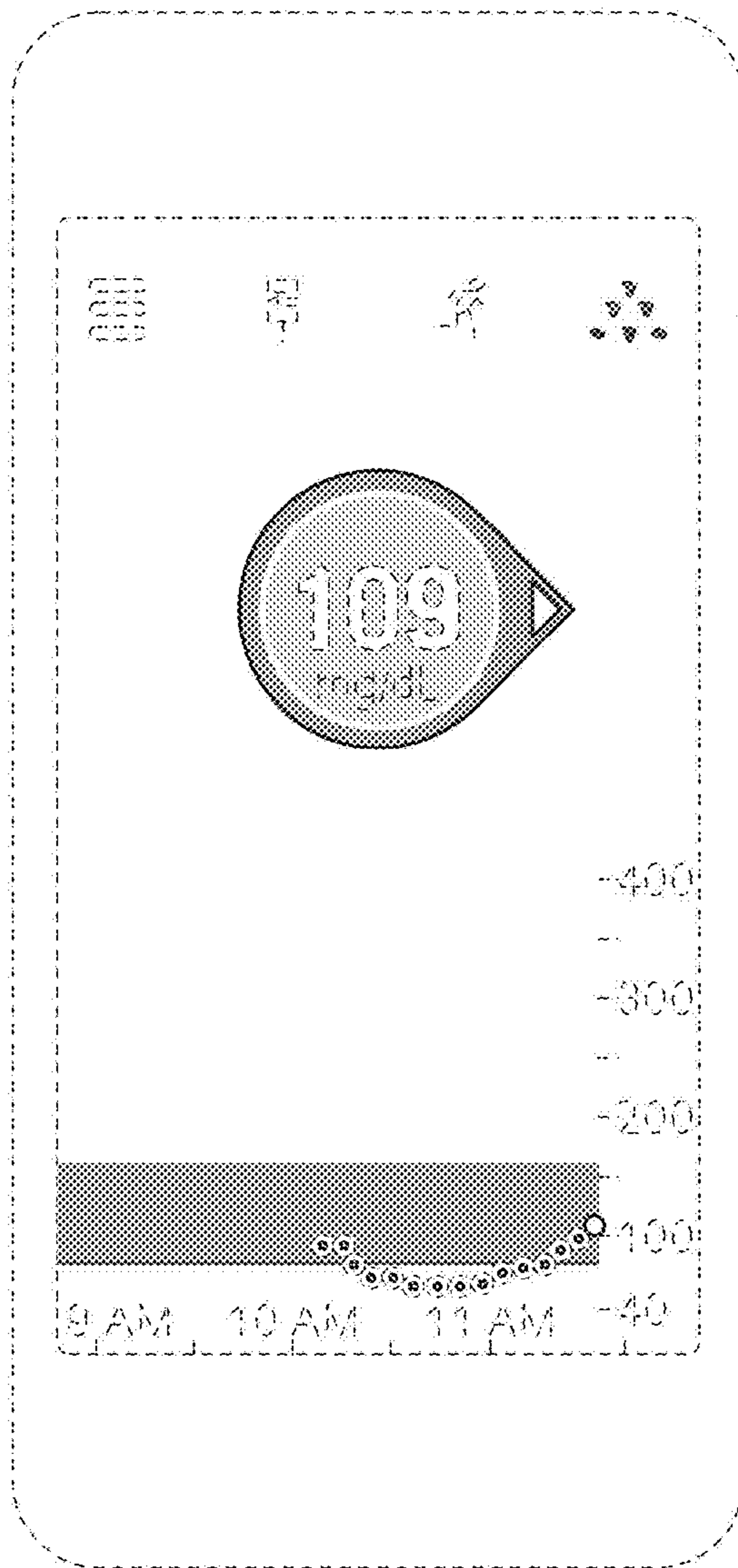


FIG. 1

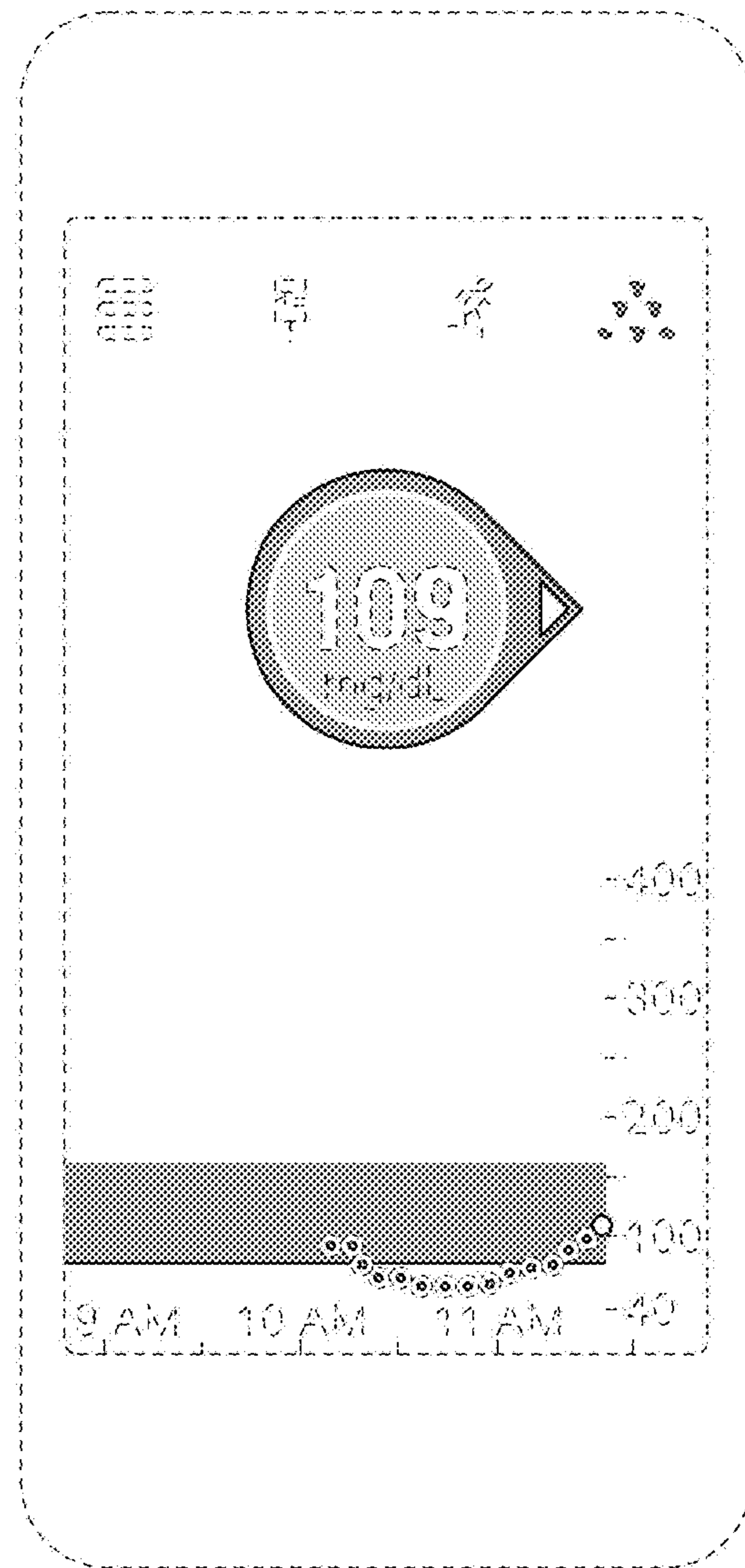


FIG. 2