



US00D978871S

(12) **United States Design Patent**
Huang

(10) **Patent No.:** **US D978,871 S**

(45) **Date of Patent:** **** Feb. 21, 2023**

(54) **USB DRIVE**

(71) Applicant: **Xuepeng Huang**, Shanwei (CN)

(72) Inventor: **Xuepeng Huang**, Shanwei (CN)

(**) Term: **15 Years**

(21) Appl. No.: **29/743,274**

(22) Filed: **Jul. 20, 2020**

(30) **Foreign Application Priority Data**

May 9, 2020 (EM) 007877493

(51) **LOC (14) Cl.** **14-03**

(52) **U.S. Cl.**
USPC **D14/480.1**

(58) **Field of Classification Search**
USPC D14/480.1-480.7, 435.1, 411, 433, 436,
D14/484.1, 137, 155, 203.1-203.8, 240,
D14/242, 496, 474, 348, 353, 356;
D13/133, 154
CPC H05K 5/0278; G06K 19/07732
See application file for complete search history.

(56) **References Cited**

U.S. PATENT DOCUMENTS

D543,981 S * 6/2007 Diebel D14/480.6
D570,845 S * 6/2008 Liu D14/433

D588,147 S * 3/2009 Finlayson D14/480.5
D606,999 S * 12/2009 He D14/480.7
D609,713 S * 2/2010 Du D14/436
D684,971 S * 6/2013 Chang D14/353
D693,806 S * 11/2013 Shim D14/353
D704,176 S * 5/2014 Kwak D14/240
D743,398 S * 11/2015 Smith D14/433
D839,273 S * 1/2019 He D14/435.1
D868,076 S * 11/2019 Huang D14/480.1
D926,184 S * 7/2021 Zhang D14/433
D949,875 S * 4/2022 Wu D14/480.1

* cited by examiner

Primary Examiner — Angela J Lee

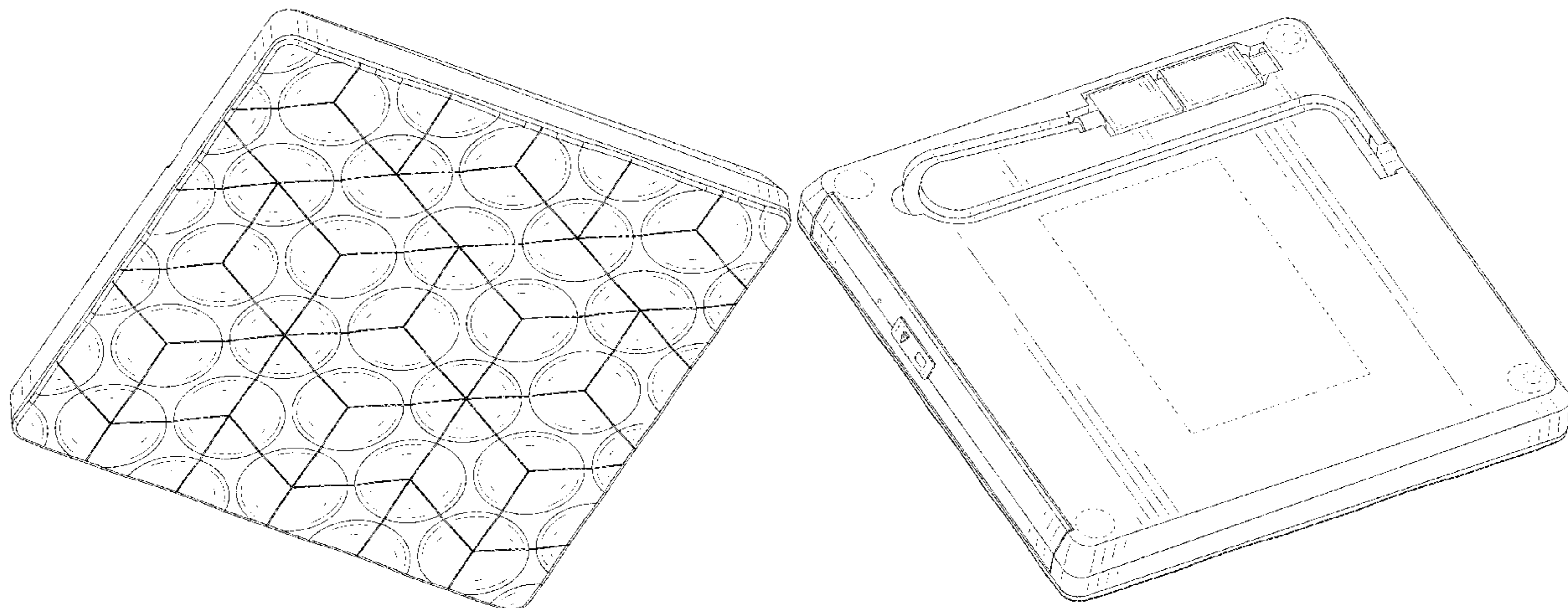
(57) **CLAIM**

The ornamental design for a USB driver, as shown and described.

DESCRIPTION

FIG. 1 is a perspective view of a USB drive showing my new design;
FIG. 2 is another perspective view thereof;
FIG. 3 is a front elevational view thereof;
FIG. 4 is a rear elevational view thereof;
FIG. 5 is a left side elevational view thereof;
FIG. 6 is a right side elevational view thereof;
FIG. 7 is a top plan view thereof; and,
FIG. 8 is a bottom plan view thereof.
The broken lines in the drawings depict portions of the USB drive that form no part of the claimed design.

1 Claim, 8 Drawing Sheets



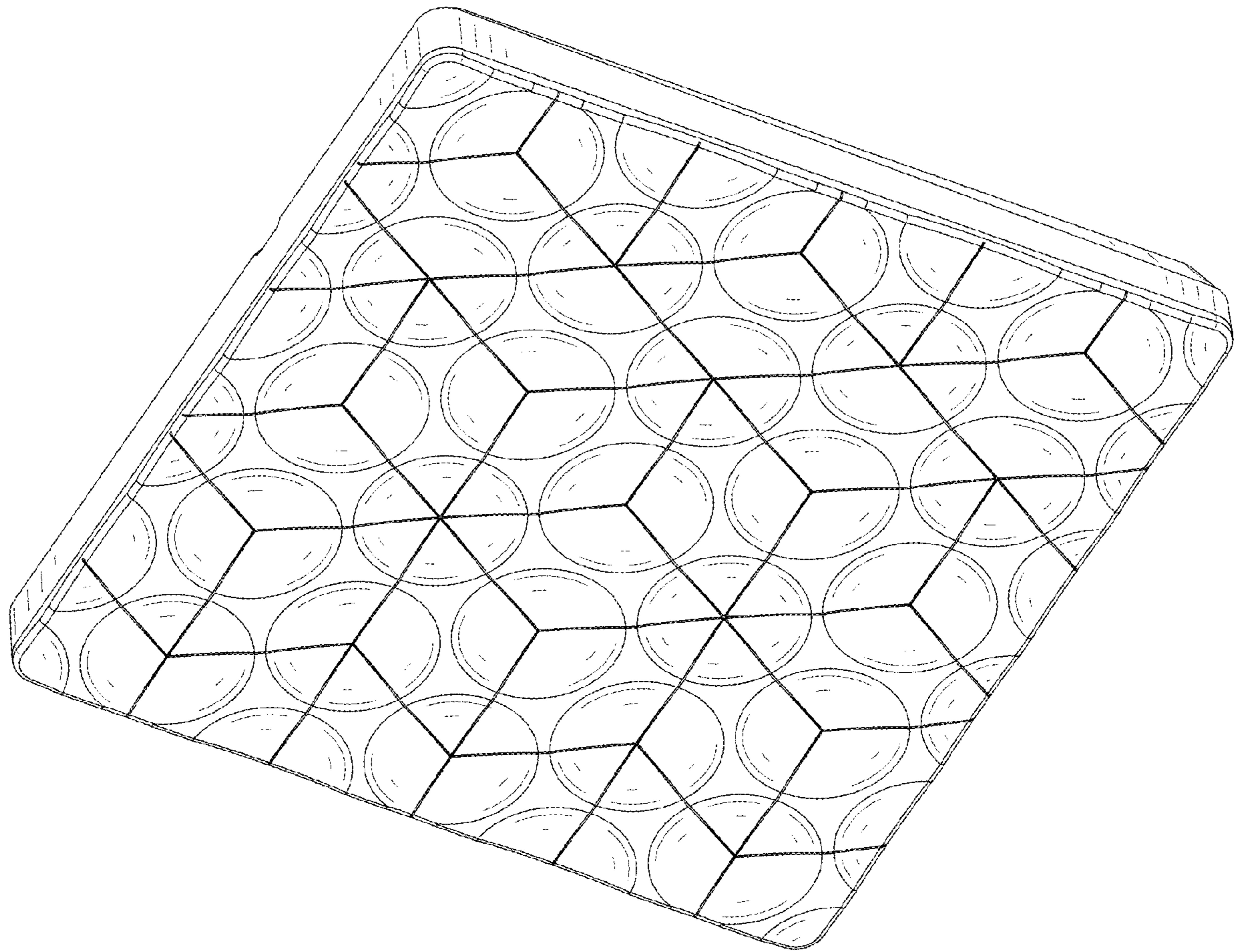


FIG. 1

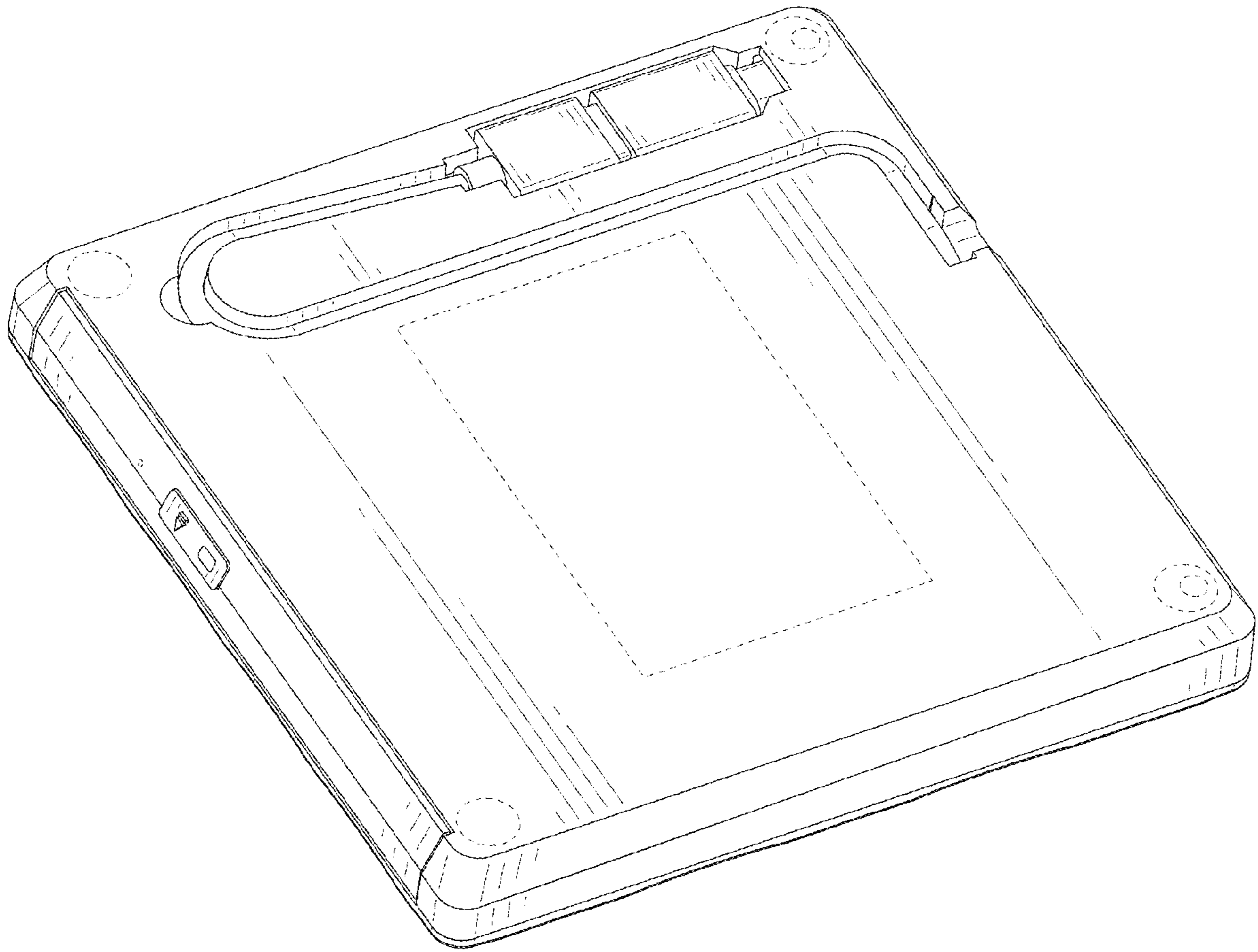


FIG. 2

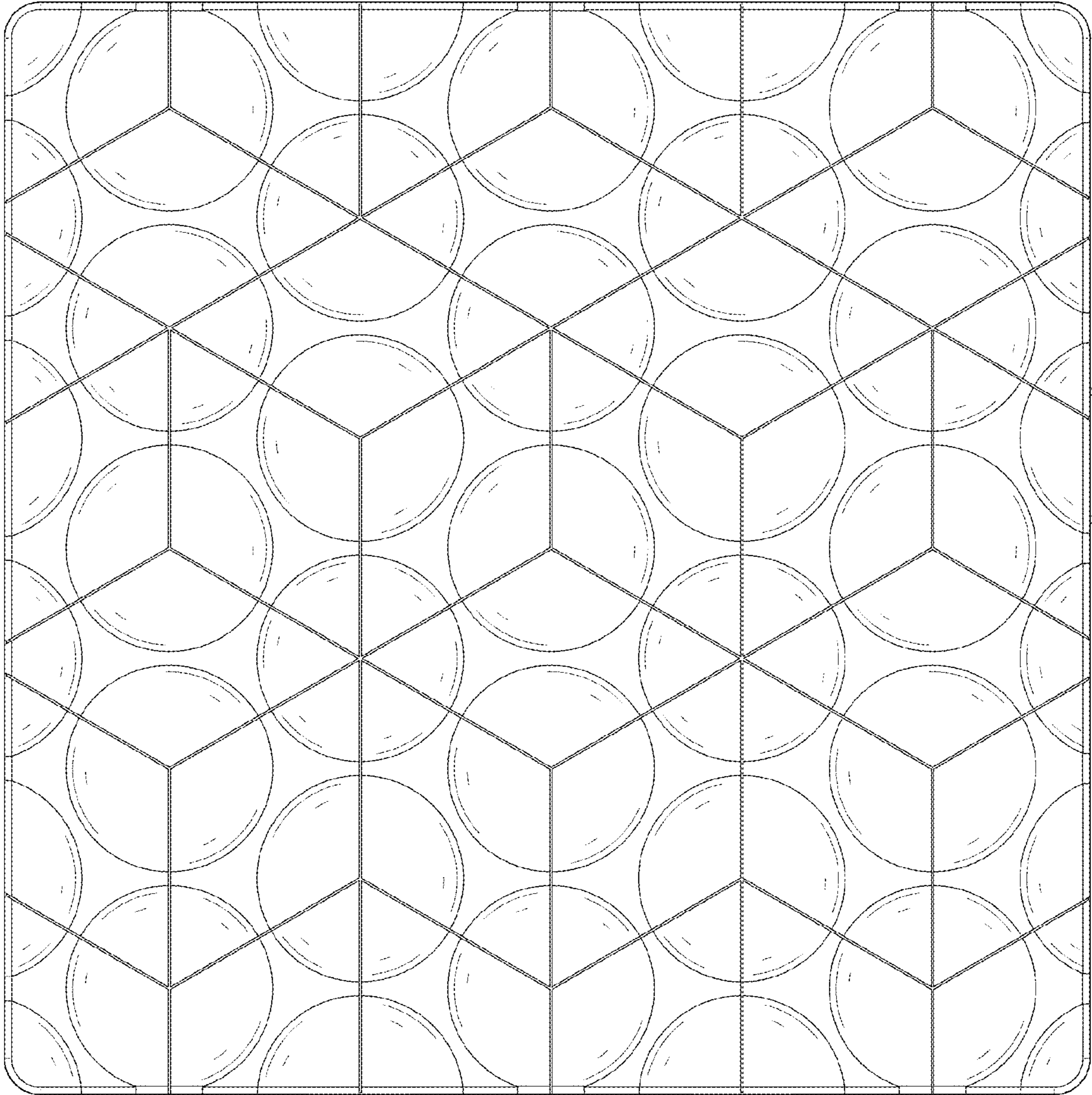


FIG. 3

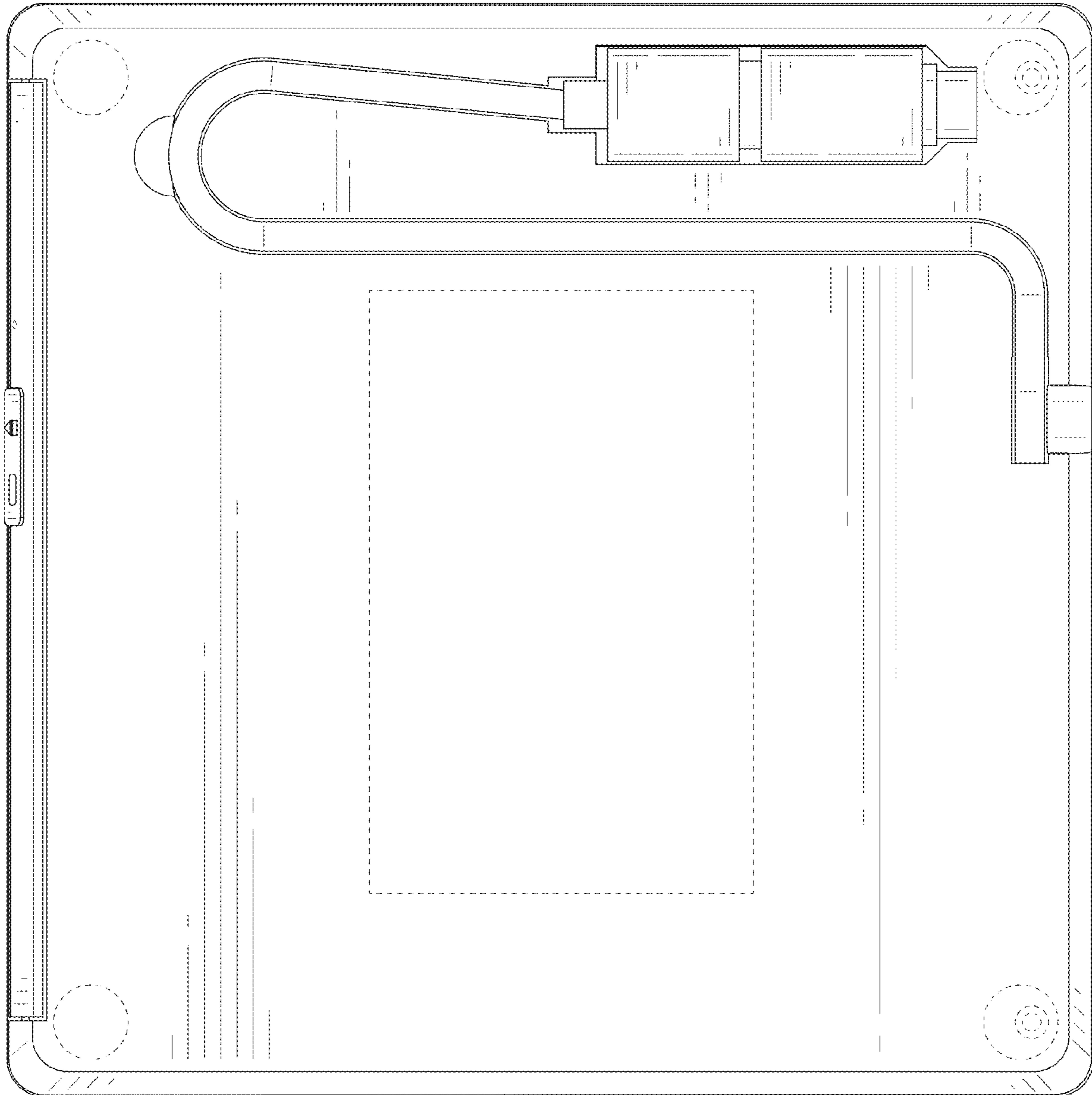


FIG. 4

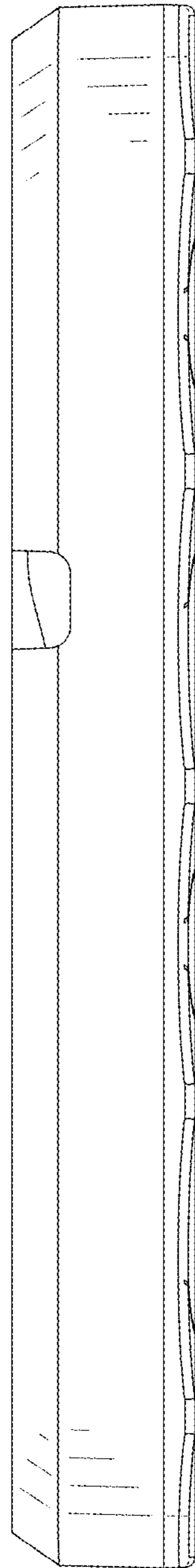


FIG. 5

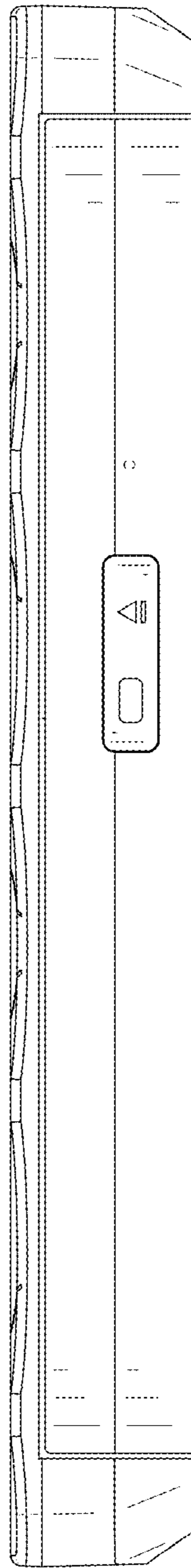


FIG. 6

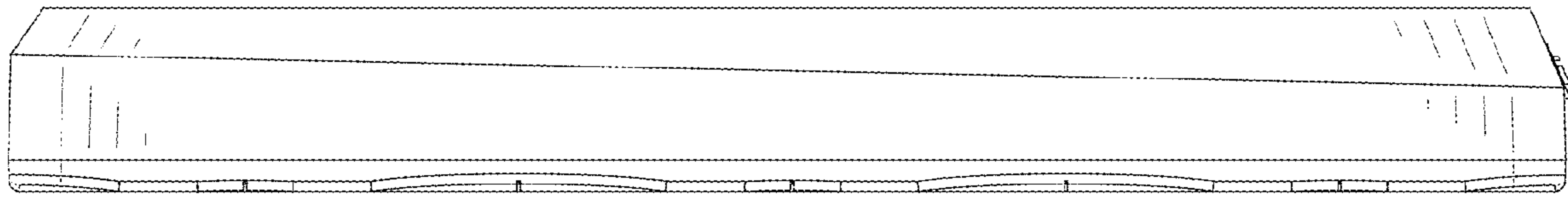


FIG. 7

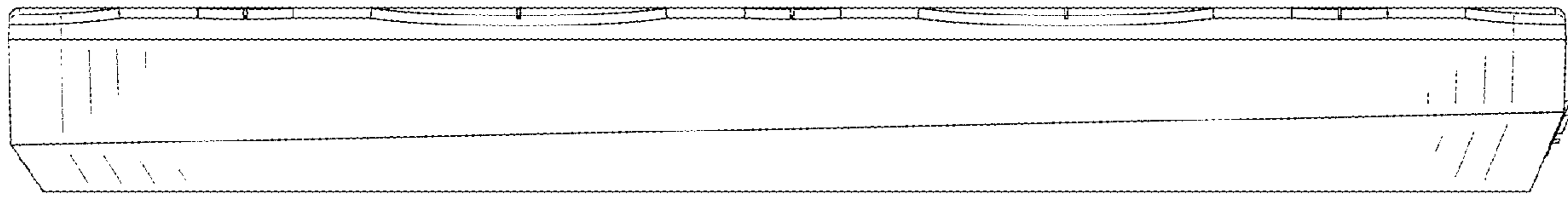


FIG. 8