



US00D978870S

(12) **United States Design Patent** (10) **Patent No.:** **US D978,870 S**  
**Hung** (45) **Date of Patent:** **\*\* Feb. 21, 2023**

(54) **SUPPORT ARM**

(71) Applicant: **MODERNSOLID INDUSTRIAL CO., LTD.**, Taichung (TW)

(72) Inventor: **Chin-Jui Hung**, Taichung (TW)

(73) Assignee: **MODERNSOLID INDUSTRIAL CO., LTD.**, Taichung (TW)

(\*\*) Term: **15 Years**

(21) Appl. No.: **29/766,227**

(22) Filed: **Jan. 14, 2021**

(30) **Foreign Application Priority Data**

Jul. 24, 2020 (TW) ..... 109304149

(51) **LOC (14) Cl.** ..... **14-02**

(52) **U.S. Cl.**  
USPC ..... **D14/452**

(58) **Field of Classification Search**  
USPC ..... D14/239, 271-382, 125-129, 447-452,  
D14/492, 432, 251, 253  
CPC .... G06F 3/0488; G06F 3/04883; G06F 3/023;  
G06F 3/0213; G06F 3/0219; G06F  
3/0202; G06F 3/0338; G06F 3/03543;  
G06F 3/038; G06F 3/011; G06F 3/016;  
G06F 1/1616  
See application file for complete search history.

(56) **References Cited**

**U.S. PATENT DOCUMENTS**

D487,494 S \* 3/2004 Glesser ..... D22/118  
D494,183 S \* 8/2004 Wills ..... D14/452  
7,243,892 B2 \* 7/2007 Pfister ..... F16M 11/2014  
248/371  
D556,205 S \* 11/2007 Wohlford ..... D14/452  
D559,662 S \* 1/2008 Sculler ..... D8/380  
D584,734 S \* 1/2009 Chu ..... D14/452  
D598,917 S \* 8/2009 Luber ..... D14/452  
D611,802 S \* 3/2010 Li ..... D8/363

D678,888 S \* 3/2013 Hung ..... D14/452  
D679,016 S \* 3/2013 Jarva ..... D24/158  
D701,103 S \* 3/2014 Marfione ..... D8/99  
D731,497 S \* 6/2015 Xiang ..... D14/447  
D751,566 S \* 3/2016 Anderson ..... D14/452

(Continued)

**FOREIGN PATENT DOCUMENTS**

CN 305152365 \* 5/2019  
CN 307082291 \* 1/2022

**OTHER PUBLICATIONS**

AliExpress, earliest review on Mar. 15, 2022 [online], retrieved on Aug. 3, 2022, retrieved from internet, <https://www.aliexpress.com/item/2251832761673224.html?gatewayAdapt=4itemAdapt>.\*

(Continued)

*Primary Examiner* — Barbara Fox

*Assistant Examiner* — Noah Perez

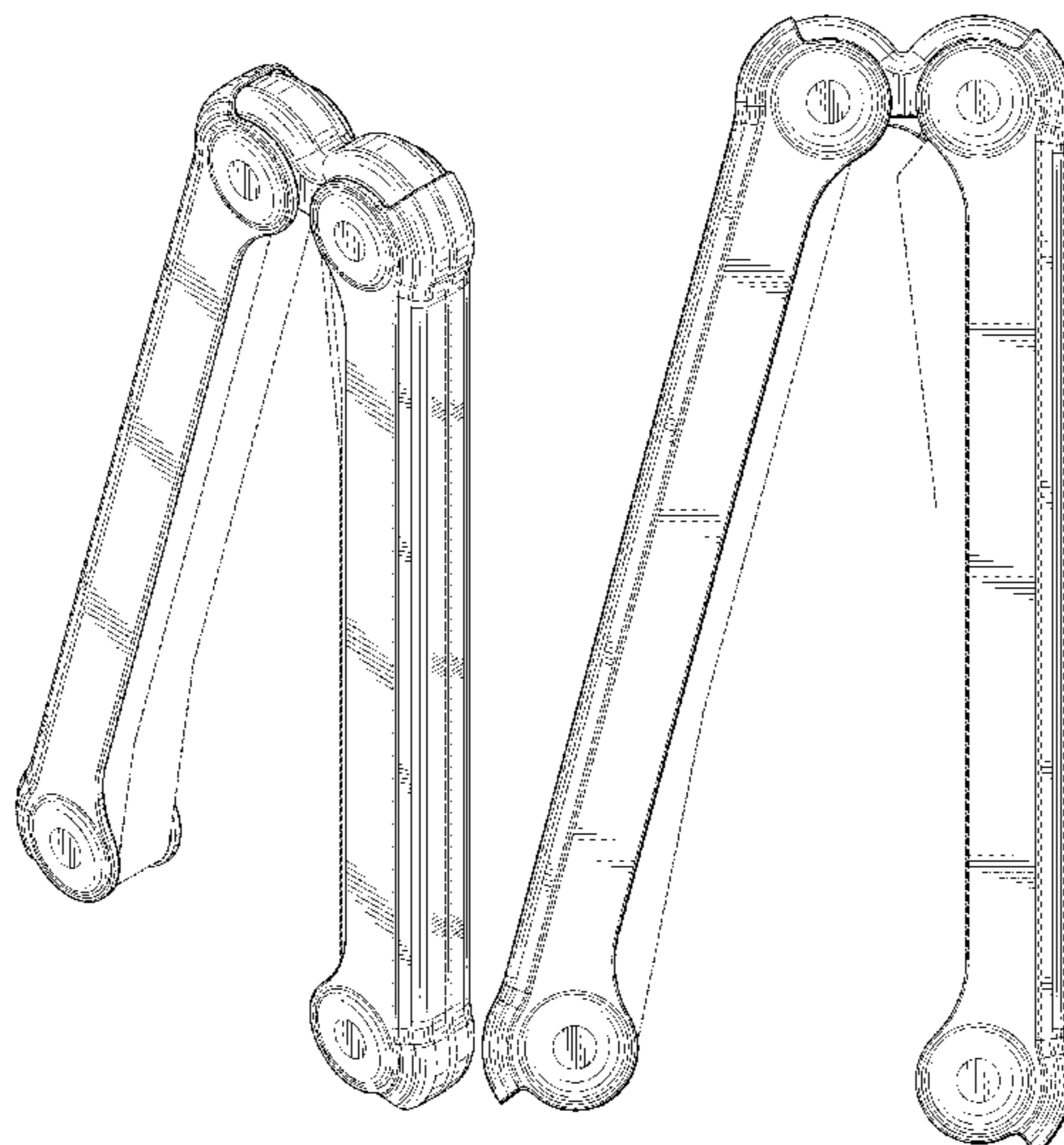
(57) **CLAIM**

The ornamental design for a support arm, as shown and described.

**DESCRIPTION**

FIG. 1 is a perspective view of a support arm showing my new design;  
FIG. 2 is a front elevational view thereof;  
FIG. 3 is a rear elevational view thereof;  
FIG. 4 is a left side elevational view thereof;  
FIG. 5 is a right side elevational view thereof;  
FIG. 6 is a top plan view thereof;  
FIG. 7 is a bottom plan view thereof;  
FIG. 8 is a perspective view of the support arm shown in an alternate configuration; and,  
FIG. 9 is another perspective view of the support arm shown in an alternate configuration.  
The evenly dashed broken lines depict portions of the support arm that form no part of the claimed design.

**1 Claim, 9 Drawing Sheets**



(56)

**References Cited**

## U.S. PATENT DOCUMENTS

D762,652 S \* 8/2016 Dörre ..... D14/452  
D854,537 S \* 7/2019 Ackeret ..... D14/253  
D900,297 S \* 10/2020 Hedlund ..... D23/393  
D900,298 S \* 10/2020 Hedlund ..... D23/393  
D920,763 S \* 6/2021 Godfrey ..... D8/99  
D926,776 S \* 8/2021 You ..... D14/452  
D931,292 S \* 9/2021 Kleist ..... D14/452  
D935,458 S \* 11/2021 Ambridge ..... D14/375  
D941,300 S \* 1/2022 Huang ..... D14/452  
D945,244 S \* 3/2022 Dickman ..... D8/99  
D951,852 S \* 5/2022 Ackeret ..... D12/416  
D953,239 S \* 5/2022 Ackeret ..... D12/416  
D955,319 S \* 6/2022 Ackeret ..... D12/415  
2018/0178398 A1 \* 6/2018 Janovicz ..... F16B 1/00  
2019/0344457 A1 \* 11/2019 Hunt ..... B26B 1/046  
2020/0189128 A1 \* 6/2020 Elling ..... B26B 1/10  
2021/0154867 A1 \* 5/2021 Demko ..... B26B 1/04

## OTHER PUBLICATIONS

UBuy, announced on Apr. 27, 2021 [online], retrieved on Aug. 3, 2022, retrieved from internet, <https://www.ubuy.co.id/en/product/8IMM0JDA-kershaw-lucha-trainer>.\*

SwayBoo, no announcement date [online], retrieved on Aug. 3, 2022, retrieved from internet, <https://www.swayboo.com/products/butterfly-knife-automation>.\*

Modern Solid, no announcement date [online], retrieved on Aug. 11, 2022, retrieved from internet, <https://www.modernsolid.com/en/product/ta-323-tablet-arms#specifications>.\*

\* cited by examiner

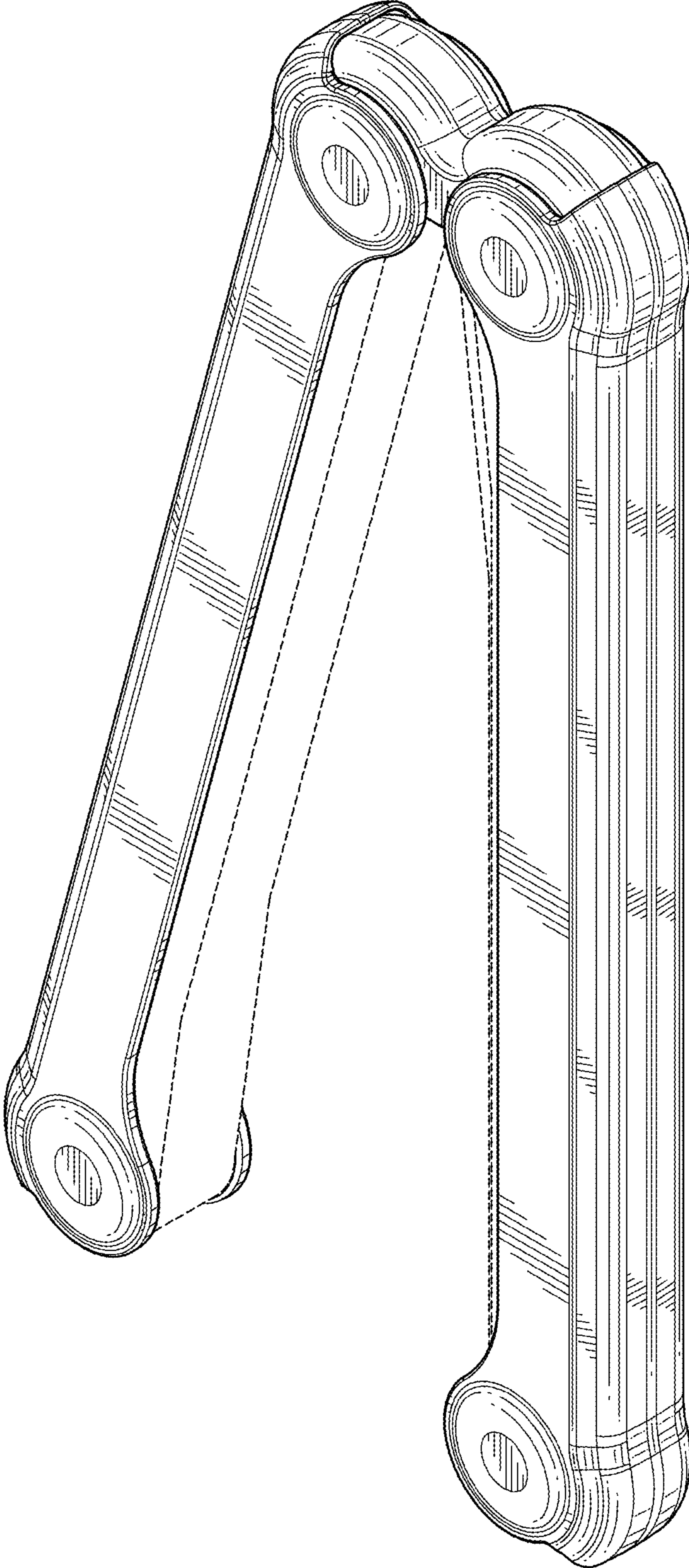


FIG.1

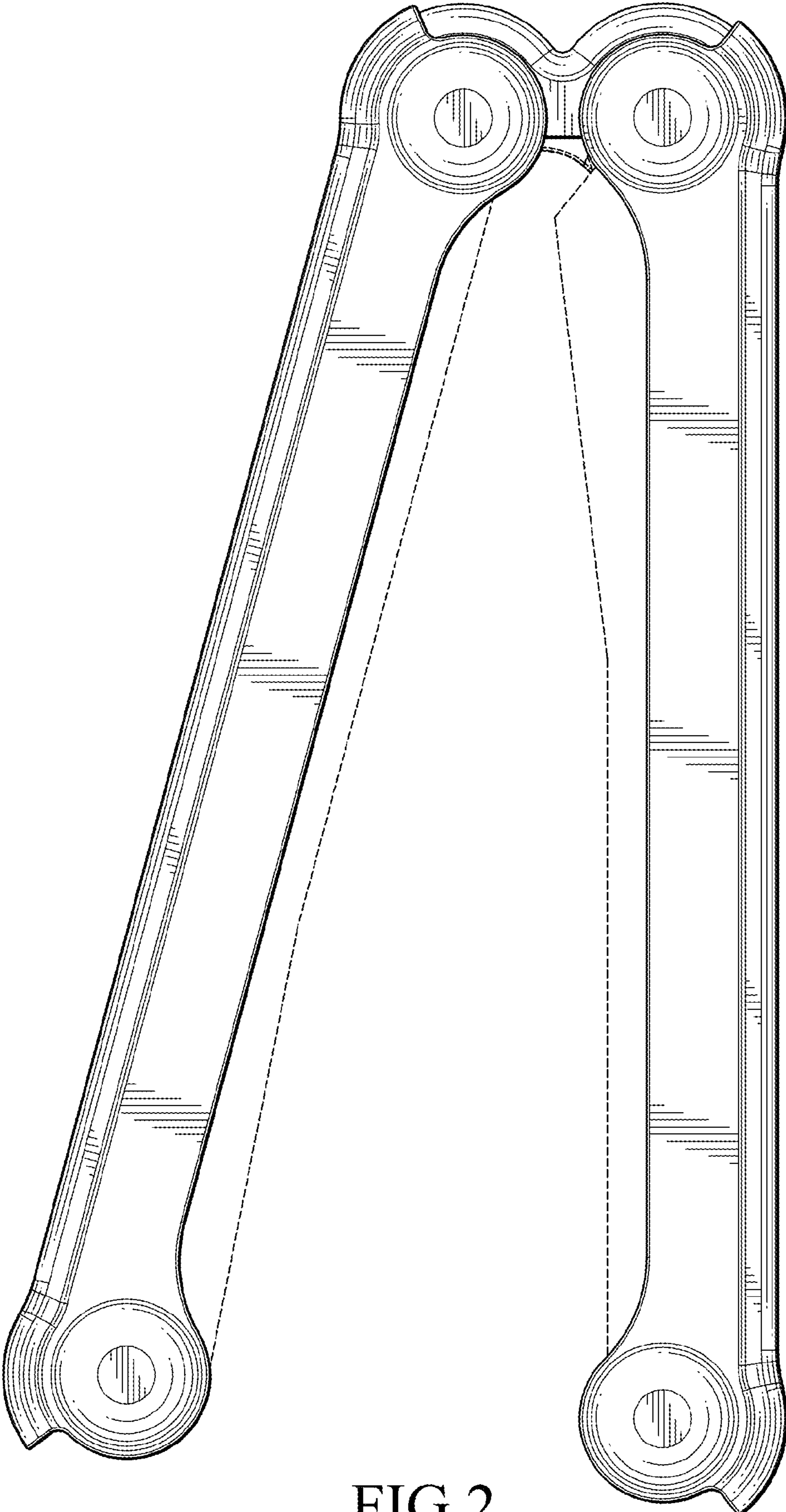


FIG.2

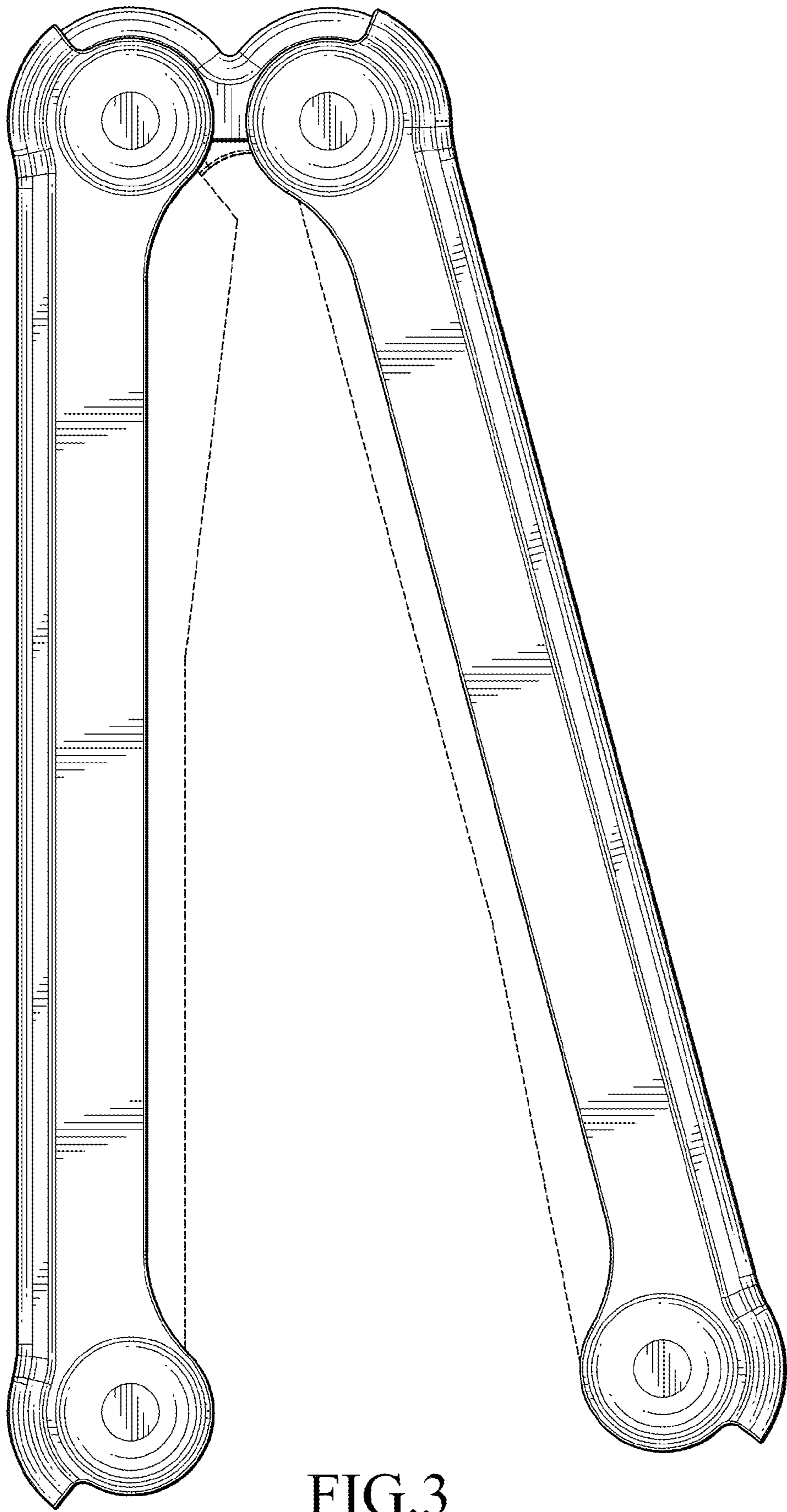


FIG.3

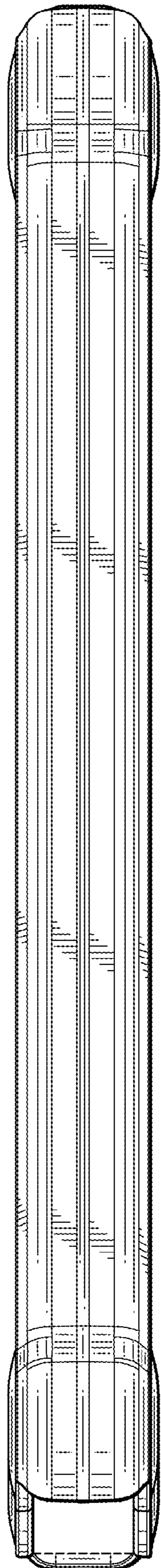


FIG.4

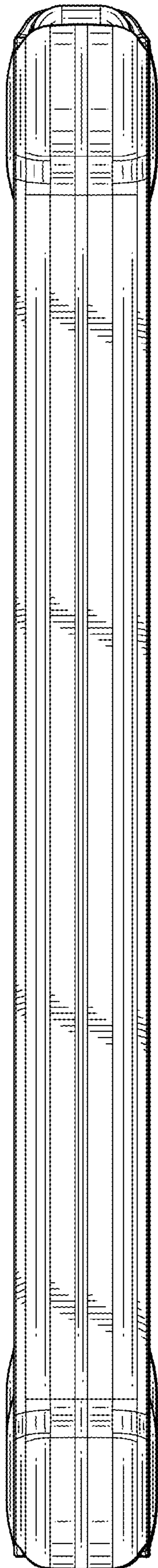


FIG.5

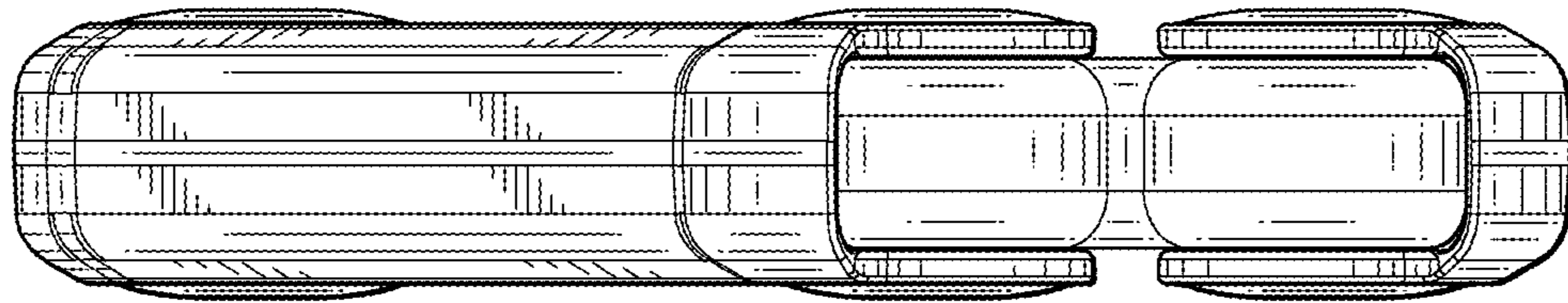


FIG.6



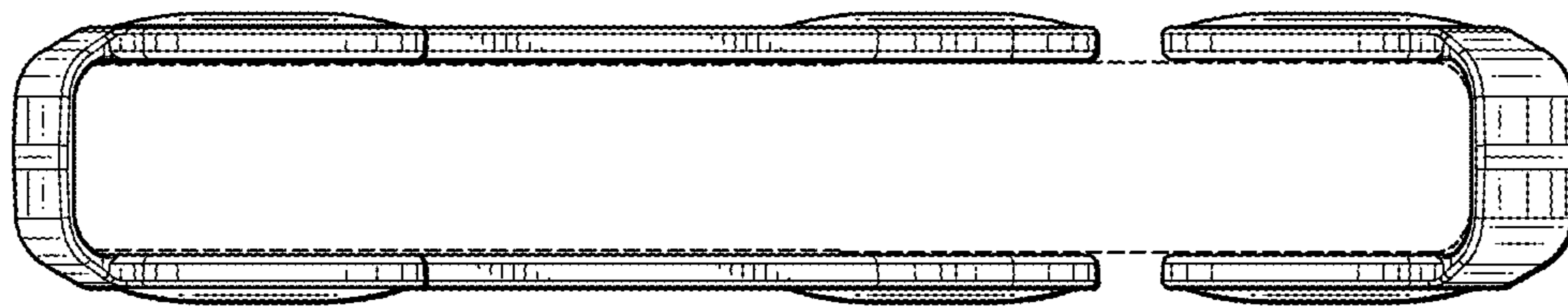


FIG. 7

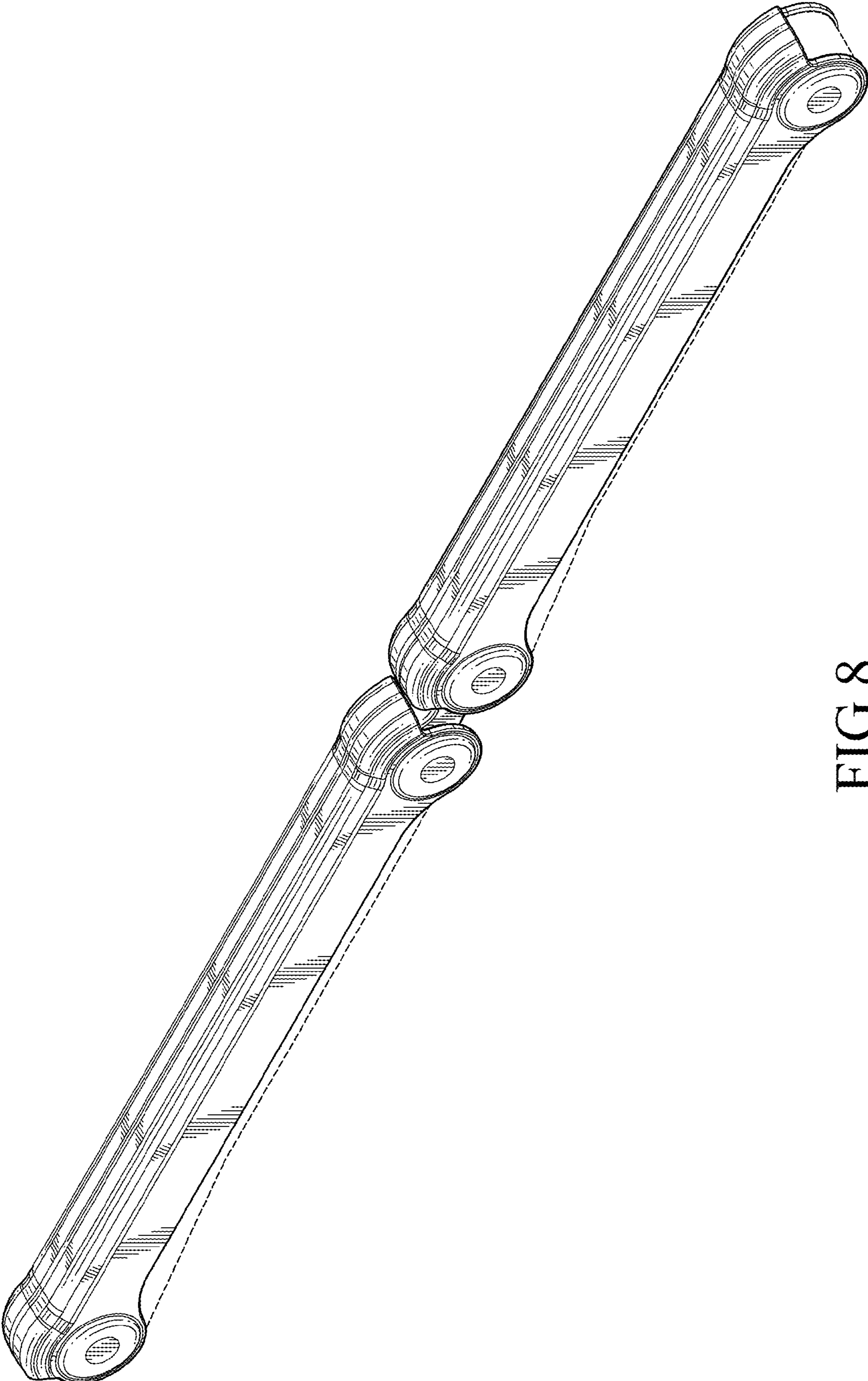


FIG. 8

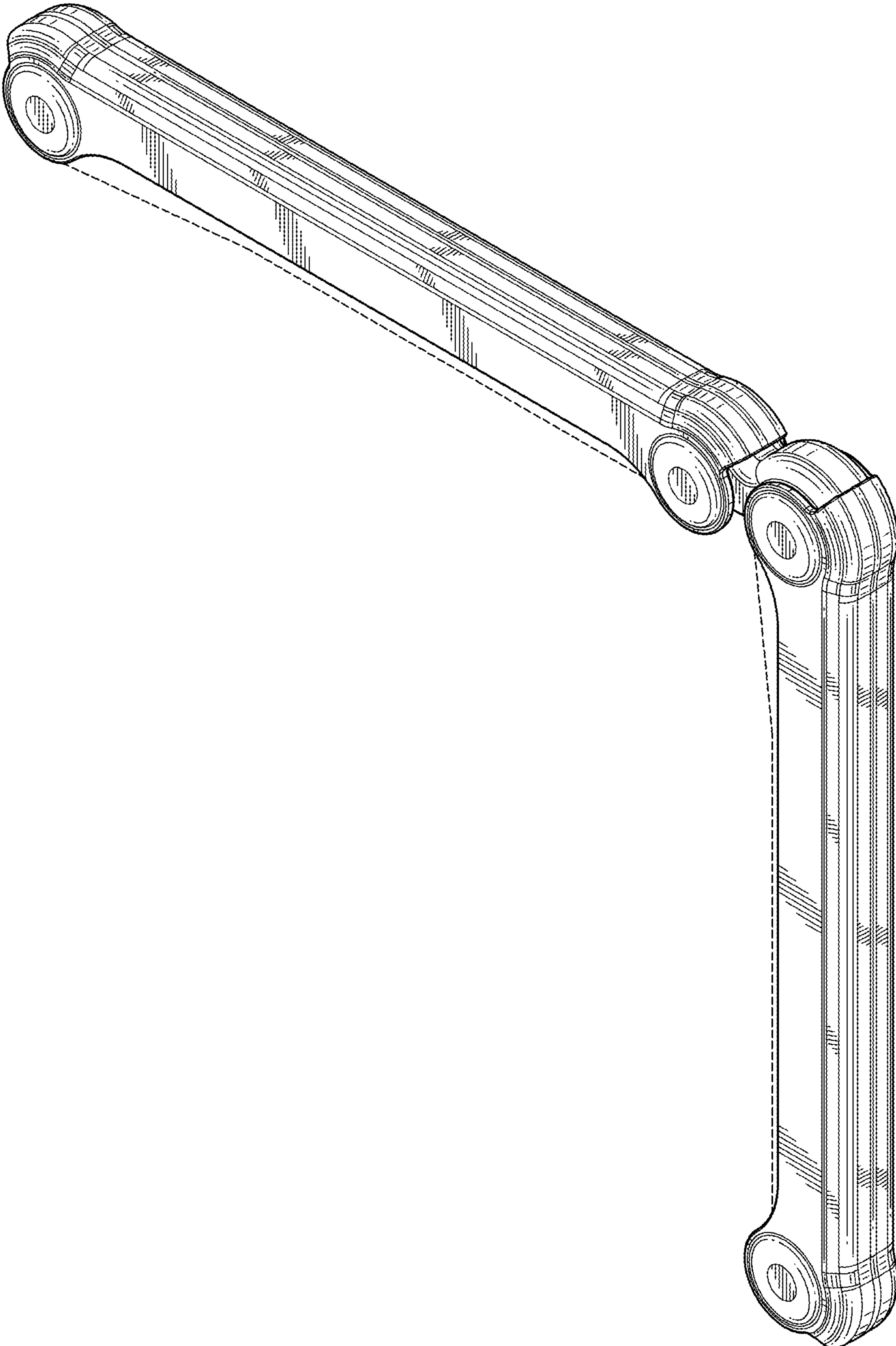


FIG.9