



US00D978868S

(12) **United States Design Patent**  
**Gao**

(10) **Patent No.:** **US D978,868 S**

(45) **Date of Patent:** **\*\* Feb. 21, 2023**

(54) **TABLET COVER**

(71) Applicant: **Jiawei Gao**, Shenzhen (CN)

(72) Inventor: **Jiawei Gao**, Shenzhen (CN)

(\*\*) Term: **15 Years**

(21) Appl. No.: **29/861,972**

(22) Filed: **Dec. 5, 2022**

(51) **LOC (14) Cl.** ..... **14-02**

(52) **U.S. Cl.**  
USPC ..... **D14/440**

(58) **Field of Classification Search**  
USPC ..... D14/440, 447, 250; 361/679.55;  
206/45.23, 320, 45.2; 294/25;  
455/575.8; D3/294  
CPC ... G06F 1/1628; G06F 1/1626; A47B 23/044;  
A45C 11/00  
See application file for complete search history.

(56) **References Cited**

**U.S. PATENT DOCUMENTS**

D643,843 S *	8/2011	Hsieh	.....	D14/440
D660,305 S *	5/2012	Ho	.....	D14/447
D711,886 S *	8/2014	Kerawala	.....	D14/440
9,074,725 B2 *	7/2015	Trotsky	.....	F16M 11/105
D747,321 S *	1/2016	London	.....	D14/440
D835,088 S *	12/2018	Zhuang	.....	D14/440
D837,219 S *	1/2019	Gao	.....	D14/440
D851,649 S *	6/2019	Tan	.....	D14/440
D858,507 S *	9/2019	Jang	.....	D14/251
D872,091 S	1/2020	Lu	.....	
D883,987 S *	5/2020	Cheng	.....	D14/440
D897,348 S *	9/2020	Liao	.....	D14/440
D898,036 S *	10/2020	Cheng	.....	D14/440
D912,282 S *	3/2021	Kim	.....	D26/28
D920,982 S *	6/2021	Xu	.....	D14/440

D930,002 S *	9/2021	Zhou	.....	D14/440
D937,275 S *	11/2021	Cheng	.....	D14/440
D942,456 S *	2/2022	Liao	.....	D14/440
D944,256 S *	2/2022	Cheng	.....	D14/440
D946,579 S *	3/2022	Tan	.....	D14/440
D949,153 S *	4/2022	Chen	.....	D14/440
D951,959 S *	5/2022	Qu	.....	D14/440
D967,829 S *	10/2022	Lin	.....	D14/440
D967,830 S *	10/2022	Cheng	.....	D14/440
D967,831 S *	10/2022	Zeng	.....	D14/440
D970,510 S *	11/2022	Cheng	.....	D14/440
2010/0123062 A1 *	5/2010	Jones	.....	F16M 11/16 248/220.21
2012/0104185 A1 *	5/2012	Carroll	.....	F16M 11/041 248/145.6
2015/0009610 A1 *	1/2015	London	.....	G06F 1/163 16/408
2017/0196327 A1 *	7/2017	Ma	.....	H01R 24/62

\* cited by examiner

*Primary Examiner* — Cynthia R Underwood

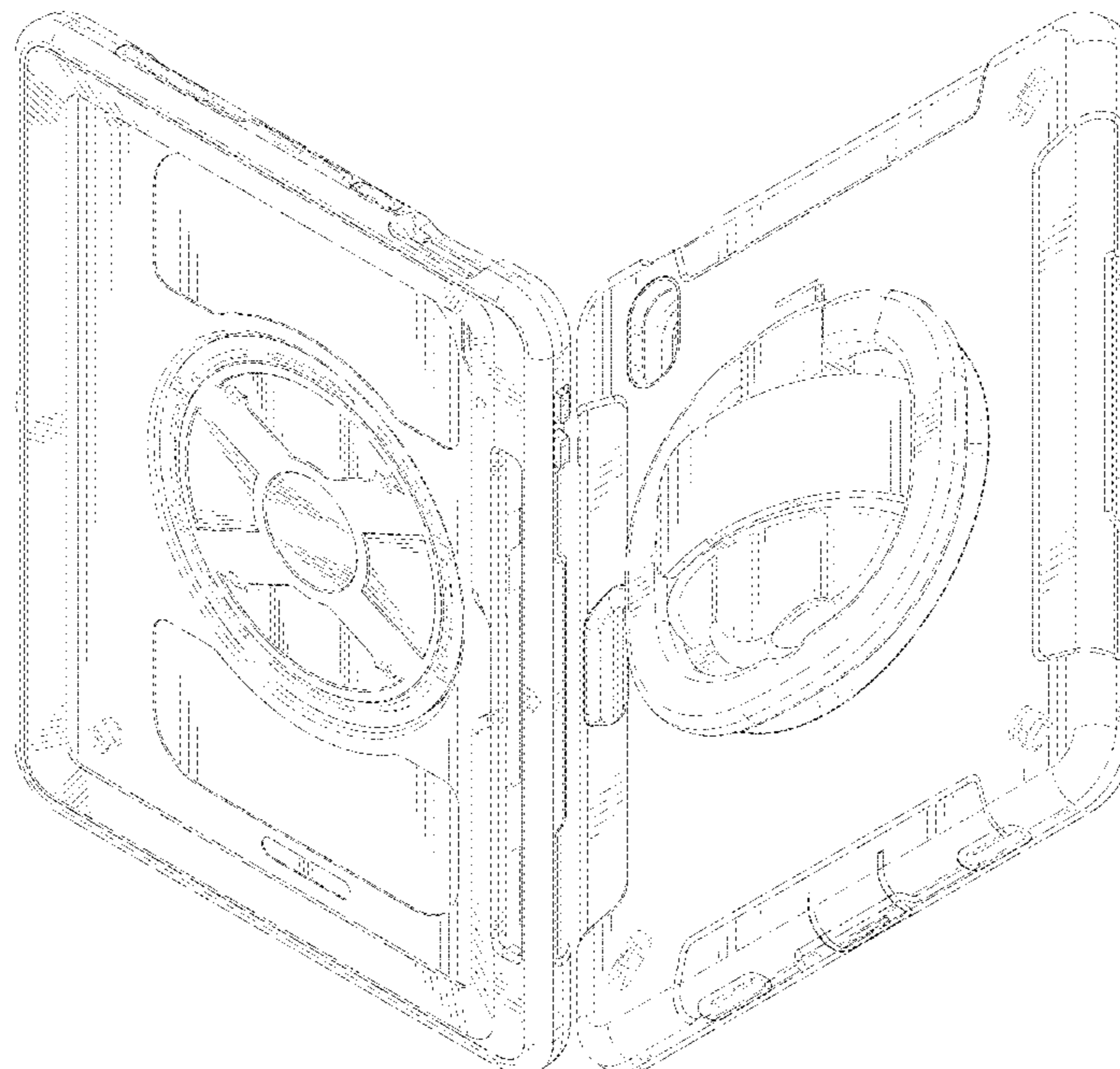
(57) **CLAIM**

The ornamental design for a tablet cover, as shown and described.

**DESCRIPTION**

FIG. 1 is a front and top perspective view of a tablet cover, showing my new design;  
FIG. 2 is a rear and bottom perspective view thereof;  
FIG. 3 is a front elevation view thereof;  
FIG. 4 is a rear elevation view thereof;  
FIG. 5 is a left side elevation view thereof;  
FIG. 6 is a right side elevation view thereof;  
FIG. 7 is a top plan view thereof; and,  
FIG. 8 is a bottom plan view thereof.  
The broken lines in the figures illustrate portions of the tablet cover that form no part of the claimed design.

**1 Claim, 8 Drawing Sheets**



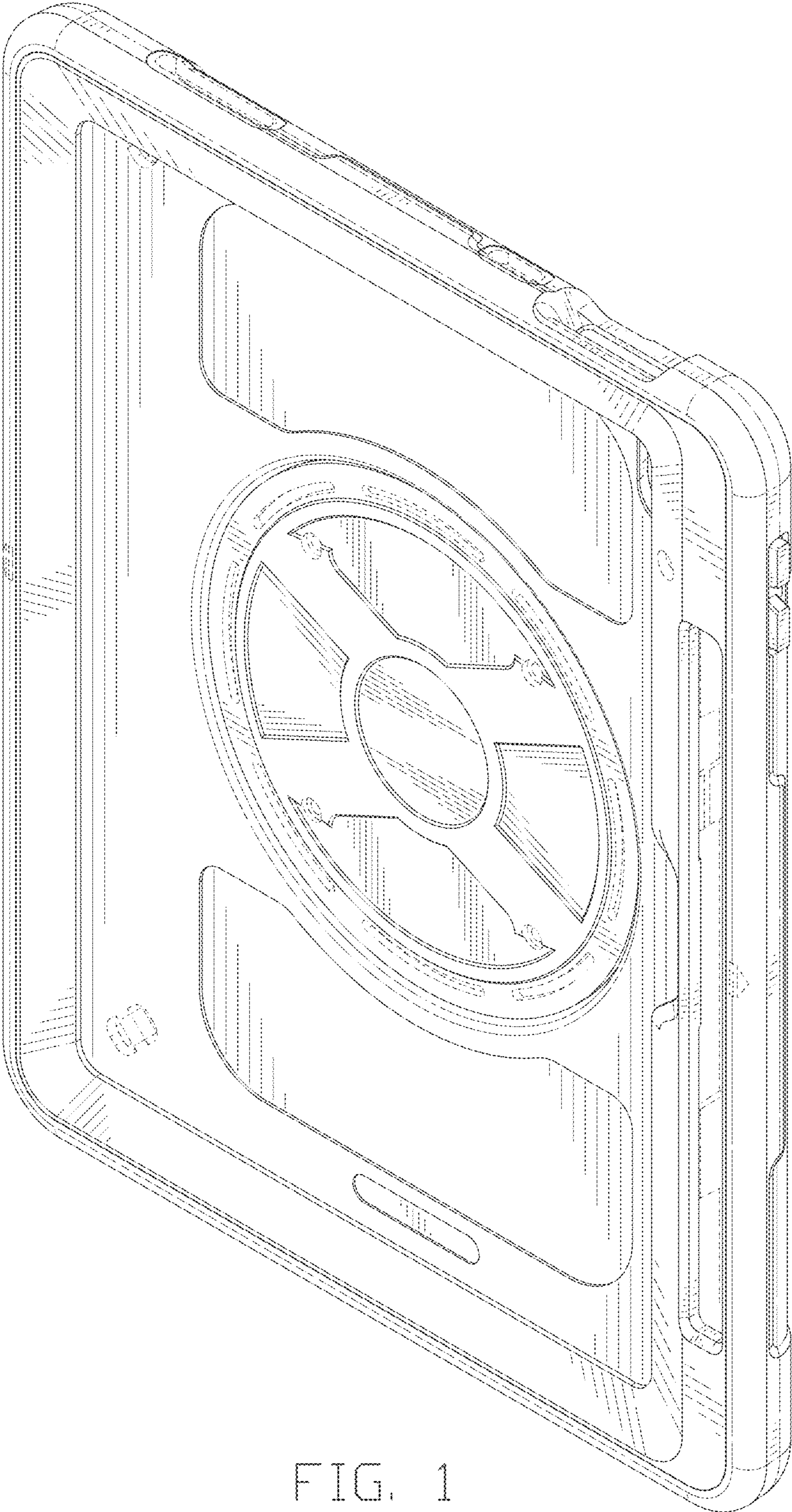


FIG. 1

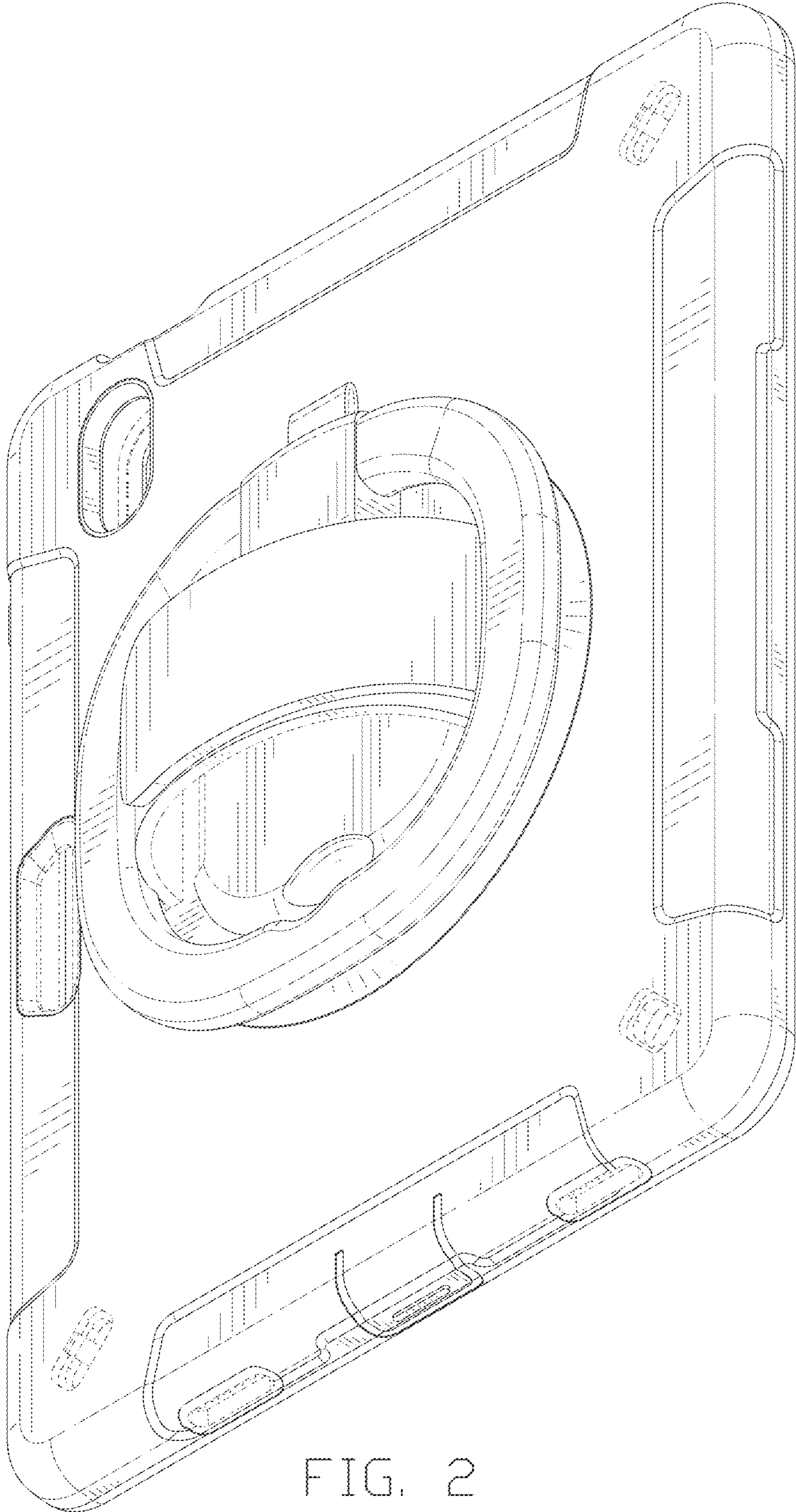


FIG. 2

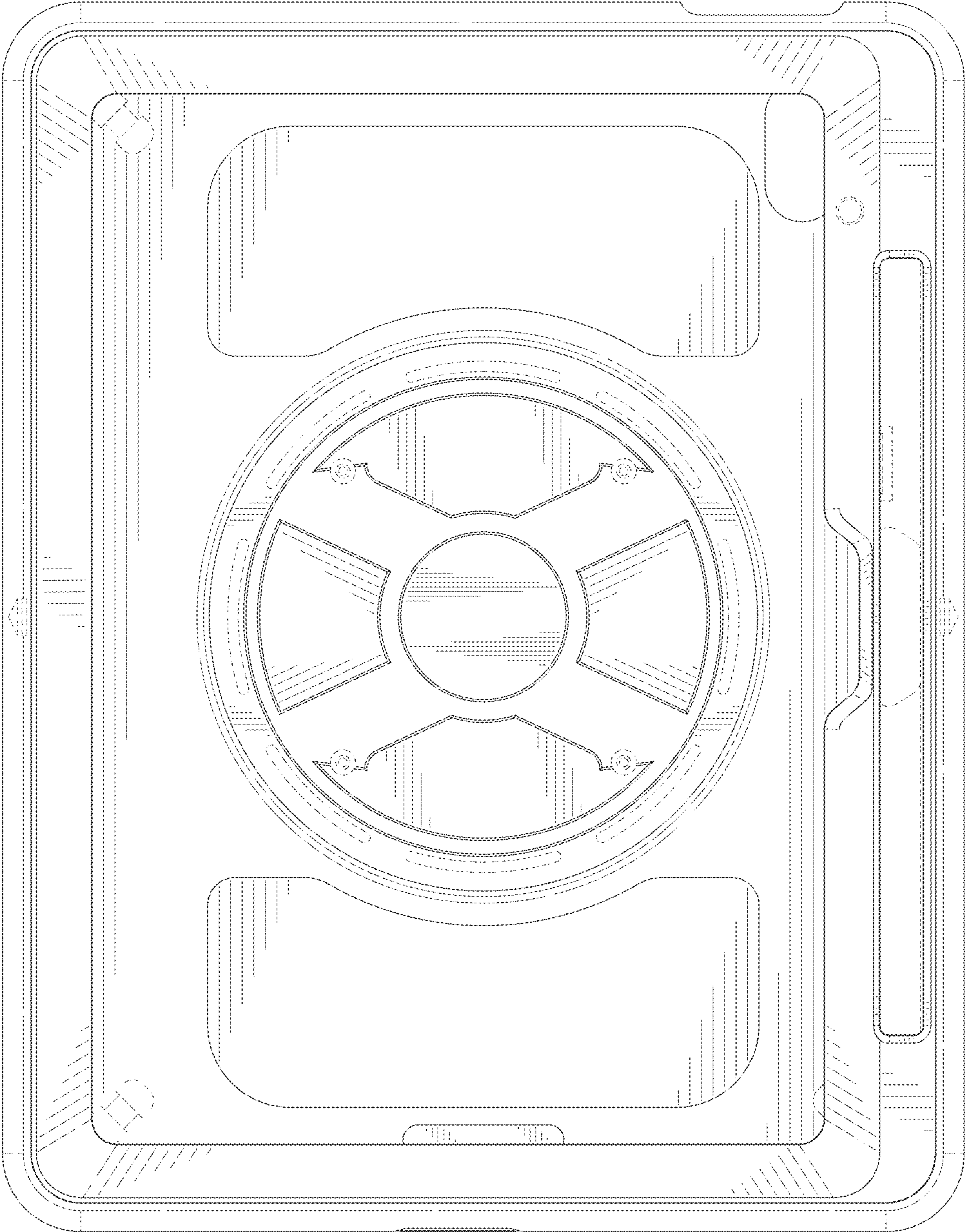


FIG. 3

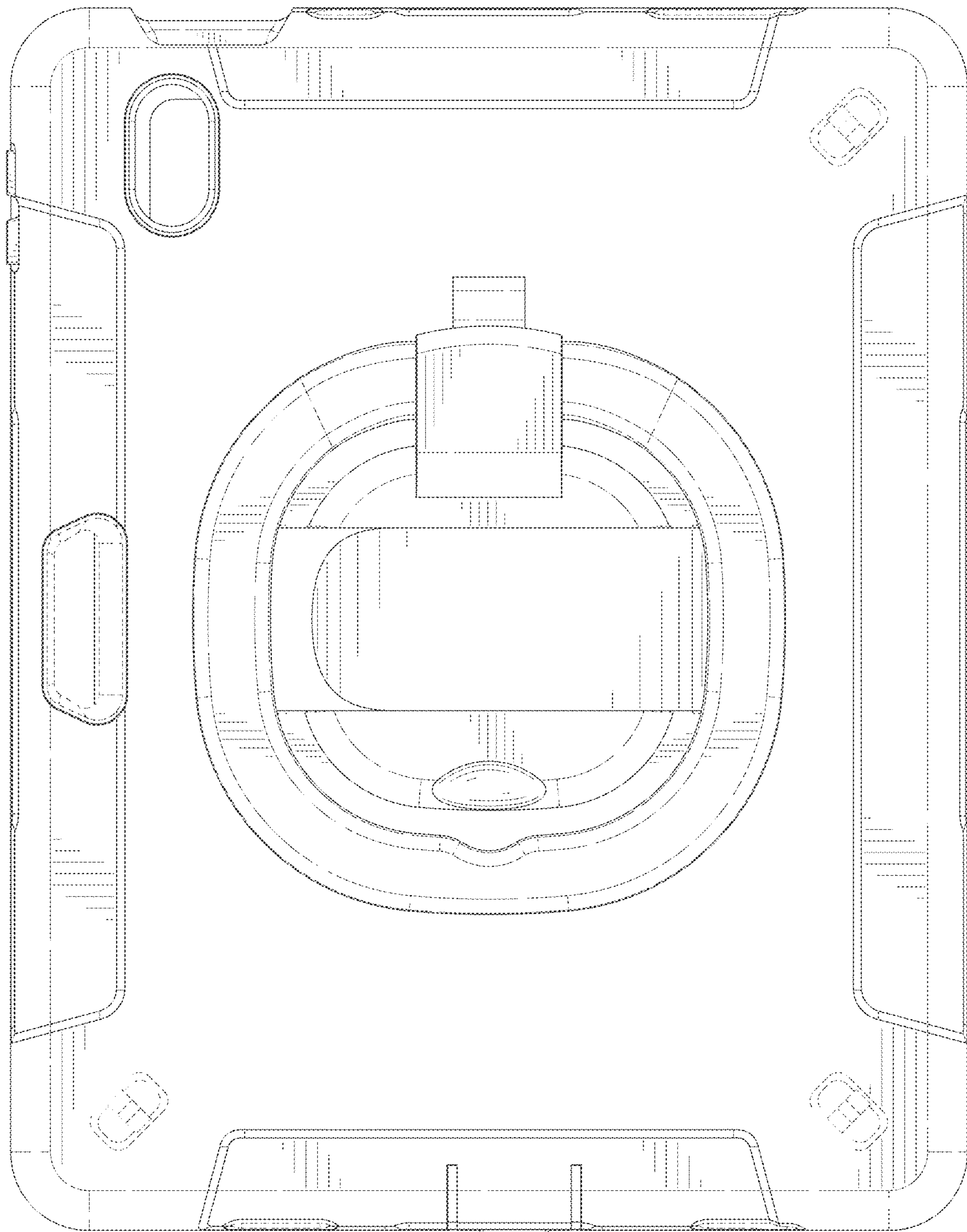


FIG. 4

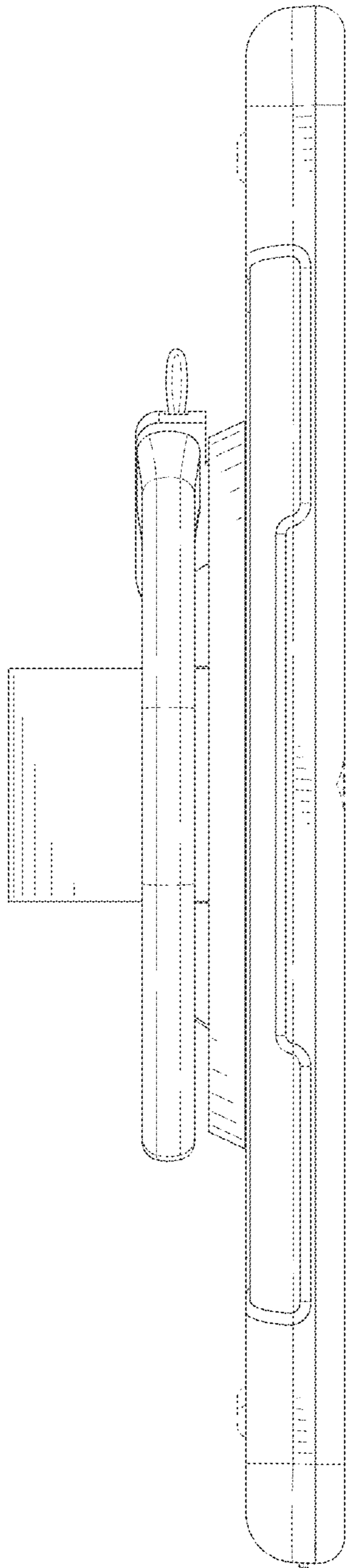


FIG. 5

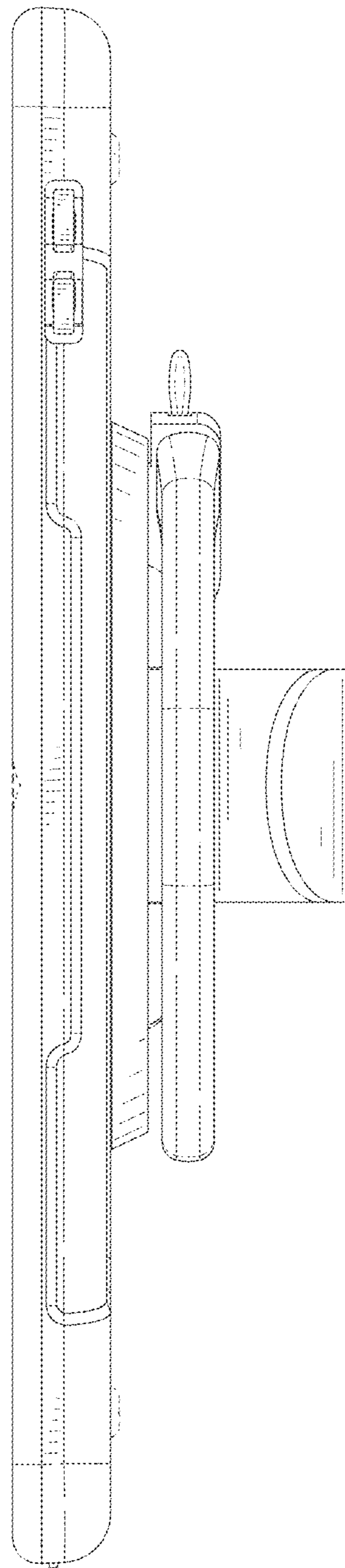


FIG. 6

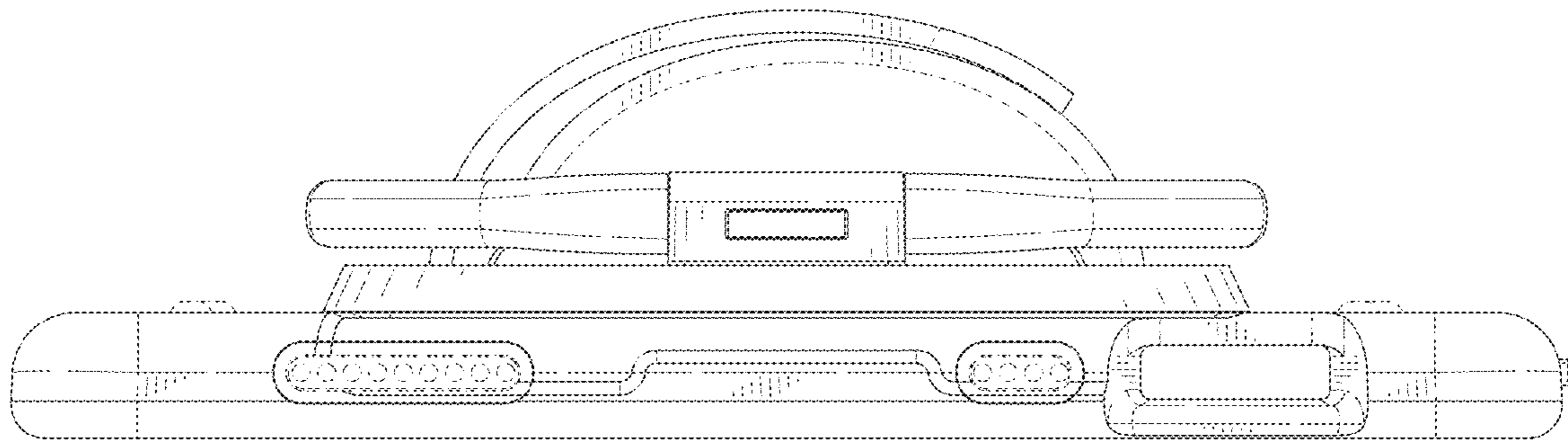


FIG. 7



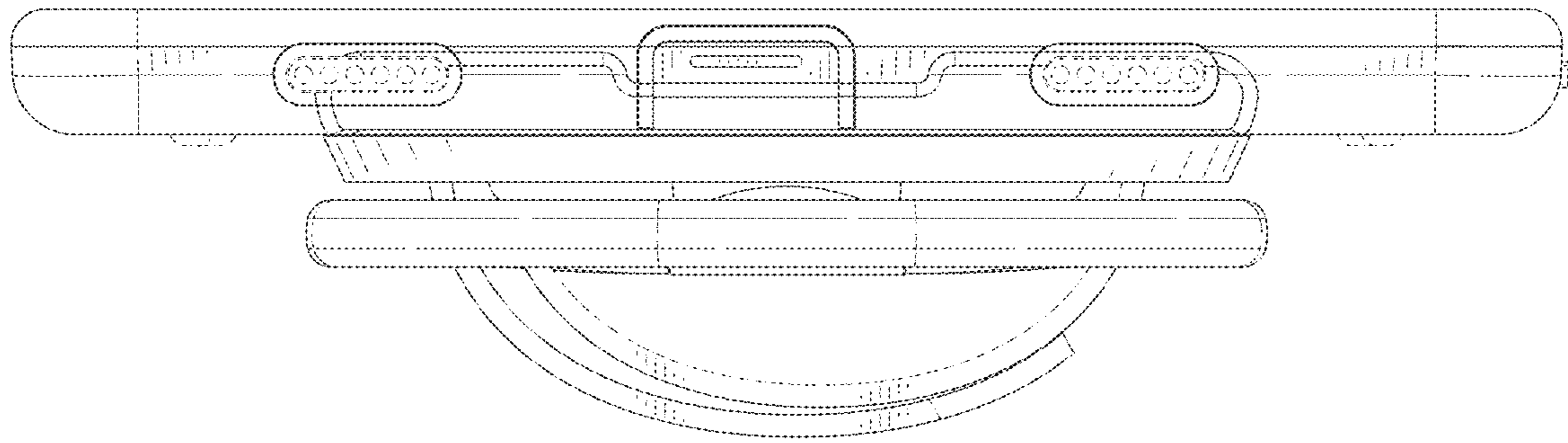


FIG. 8