



US00D978862S

(12) **United States Design Patent**
Shen et al.

(10) **Patent No.:** **US D978,862 S**
(45) **Date of Patent:** **** Feb. 21, 2023**

(54) **MOBILE COMPUTING DEVICE**

(71) Applicant: **ZEBRA TECHNOLOGIES CORPORATION**, Lincolnshire, IL (US)

(72) Inventors: **Mu-Kai Shen**, Taipei (TW); **Hui-Chi Kuo**, New Taipei (TW); **Chandra M. Nair**, Mount Sinai, NY (US)

(73) Assignee: **Zebra Technologies Corporation**, Lincolnshire, IL (US)

(**) Term: **15 Years**

(21) Appl. No.: **29/744,673**

(22) Filed: **Jul. 30, 2020**

(51) **LOC (14) Cl.** **14-02**

(52) **U.S. Cl.**
USPC **D14/426**

(58) **Field of Classification Search**

USPC D14/420, 426–430, 453, 346, 341, 347, D14/412, 138; D13/107, 184; 358/473; 235/462.43, 462.45, 462.47, 462.48, 235/462.44, 462.46, 487, 472.01, 472.02, 235/145 A, 145 R; D10/78; 324/426; D3/273; 710/73; D18/7; 361/679, 728, 361/679.56, 679.4, 679.03, 679.01, 752; 382/313, 321; 455/575.1, 561, 572, 90.3; 345/156, 168, 169, 172, 173, 87; 705/17, 705/18, 22–25; 439/626; 312/223.2
CPC G06F 1/626; G06F 1/1626; G06F 1/1656; G06F 1/1632; G06F 1/1684; G06F 1/1635; G06F 8/63; G06F 17/30091; G06F 9/4401; G06K 7/10881; G06K 7/1098; G06K 7/1404; G06K 7/0004; G06K 7/10633; G06K 7/10851; G06K 7/1091; G06K 7/1092; G06K 7/1093; G06K 7/10; G06K 7/109; G06K 7/10722; G06K 7/1417; G06K 9/228; G06K 17/0022; G06K 17/00; G06K 2207/1011; G06K 2207/1013; G06K 2207/1016;

G06K 2207/1018; G06K 2017/0051; G06K 2017/0067; G06K 2007/10524; G07G 1/0081; G07G 1/009; G06Q 20/20; G06Q 20/201; G06Q 20/202; G06Q 20/203; G06Q 20/30; G06Q 20/32; G06Q 20/322; G06Q 20/4014; G06Q 10/087; H04N 1/00127; H04N 1/00135; H04N 1/00326; H04N 1/00334; H04N 1/00307; H04N 1/107; H04N 2201/0084; H04N 2101/00; H04M 1/0249; H04M 1/0262; H04M 1/0266; H04M 1/18; H04M 1/23; H04M 1/236; H04B 1/3827; H04B
(Continued)

(56) **References Cited**

U.S. PATENT DOCUMENTS

D456,806 S * 5/2002 Ahearn D14/347
D614,626 S * 4/2010 Dai D14/426
D629,001 S * 12/2010 Palmer D14/426

(Continued)

Primary Examiner — Susan Moon Lee

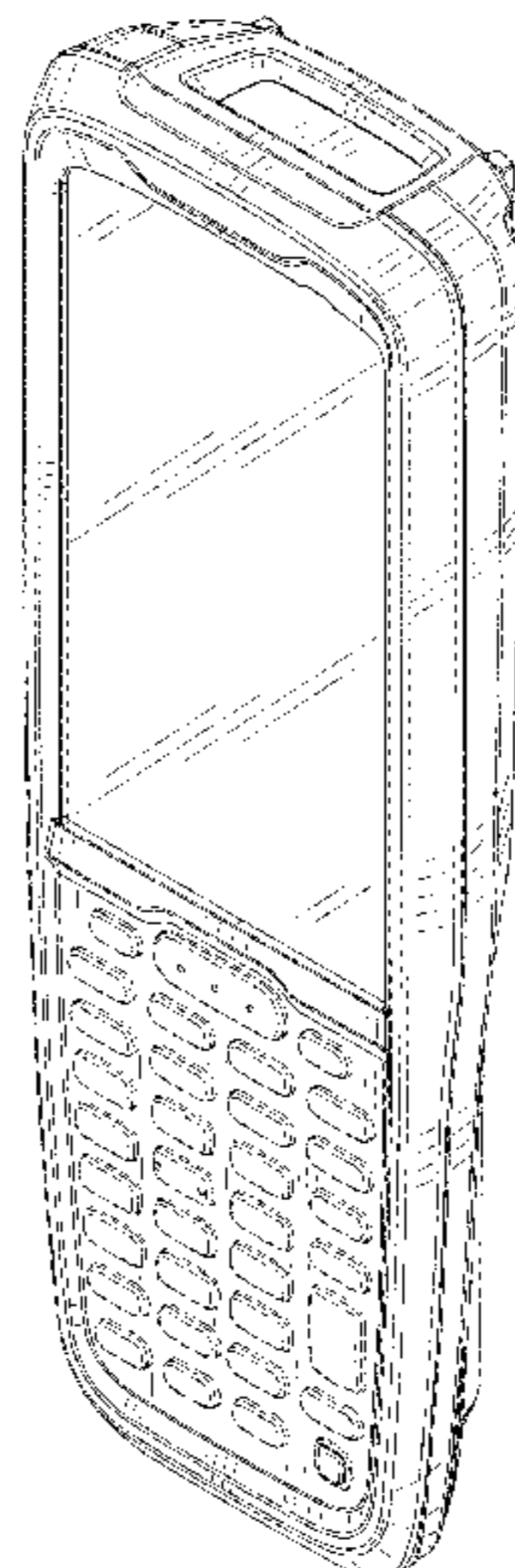
(57) **CLAIM**

We claim the ornamental design for a mobile computing device, as shown and described.

DESCRIPTION

FIG. 1 is a first perspective view of an example mobile computing device;
FIG. 2 is a second perspective view thereof;
FIG. 3 is a front view thereof;
FIG. 4 is a rear view thereof;
FIG. 5 is a first side view thereof;
FIG. 6 is a second side view thereof;
FIG. 7 is a top view thereof; and,
FIG. 8 is a bottom view thereof.
The broken lines are directed to environment and are for illustrative purposes only. Broken lines claim no part of the claimed design.

1 Claim, 8 Drawing Sheets



(58) **Field of Classification Search**
 CPC .. 1/3833; H04B 1/3877; H04B 1/3883; H04B
 1/3888; H04B 2001/3894; H01M 2/1066
 See application file for complete search history.

(56) **References Cited**

U.S. PATENT DOCUMENTS

D633,502 S * 3/2011 Alegiani D14/429
 D634,744 S * 3/2011 Palmer D14/347
 7,903,033 B2 * 3/2011 Bellows H01Q 1/242
 343/702
 D638,422 S * 5/2011 Reed D14/347
 8,071,878 B2 * 12/2011 Mangaroo G06F 1/1656
 174/50.54
 D676,850 S * 2/2013 Minafo D14/428
 D677,663 S * 3/2013 Minafo D14/429
 D704,711 S * 5/2014 Minafo D14/429
 D709,503 S * 7/2014 Chen D14/429
 D716,307 S * 10/2014 Paufler D14/429

D732,534 S * 6/2015 Paufler D14/428
 D753,119 S * 4/2016 Paufler D14/429
 D792,407 S * 7/2017 Fitch D14/429
 D835,107 S * 12/2018 Memke D14/429
 D836,638 S 12/2018 Fountain et al.
 D868,066 S * 11/2019 Yang D14/429
 D870,733 S 12/2019 Fountain et al.
 D883,285 S 5/2020 Hackett et al.
 D883,286 S * 5/2020 Sieckowski D14/428
 D896,224 S * 9/2020 Sieckowski D14/428
 D907,634 S * 1/2021 Bidwell D14/453
 D917,486 S * 4/2021 Fountain D14/428
 D917,487 S * 4/2021 Bidwell D14/428
 D919,625 S 5/2021 Chen et al.
 D943,584 S 2/2022 Lim et al.
 2009/0168337 A1 * 7/2009 Conti G06F 1/1656
 361/679.56
 2014/0185234 A1 * 7/2014 Lee H04M 1/23
 361/679.56
 2014/0217180 A1 * 8/2014 Liu E05B 73/0082
 235/472.01

* cited by examiner

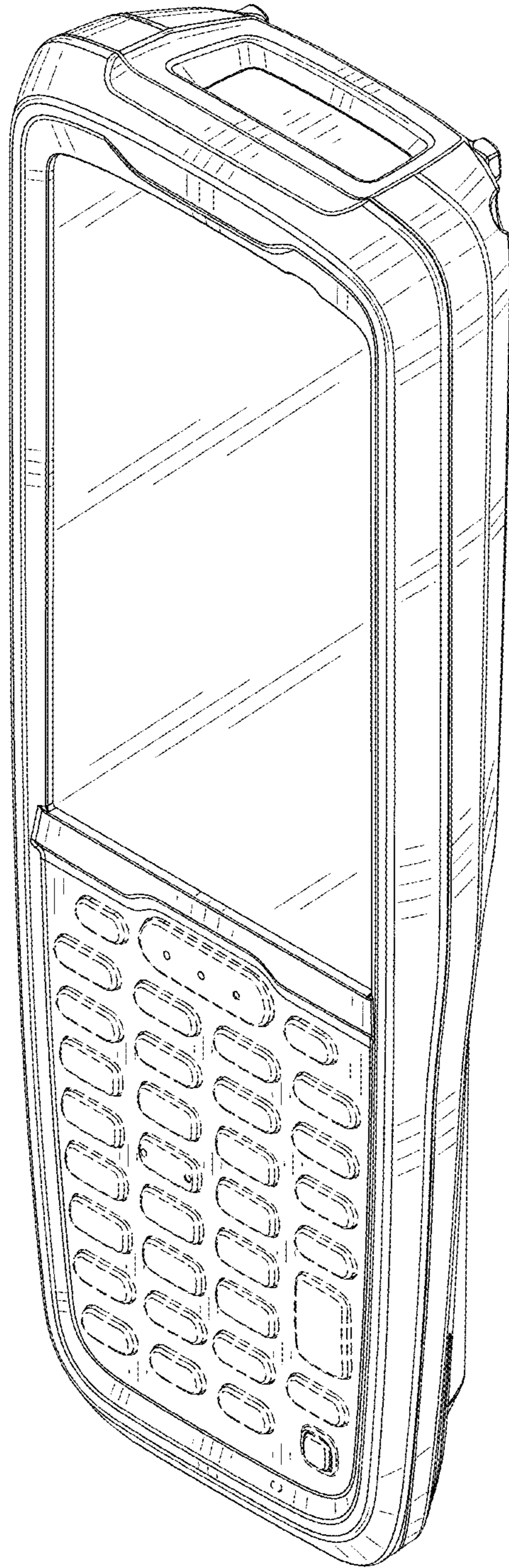


FIG. 1

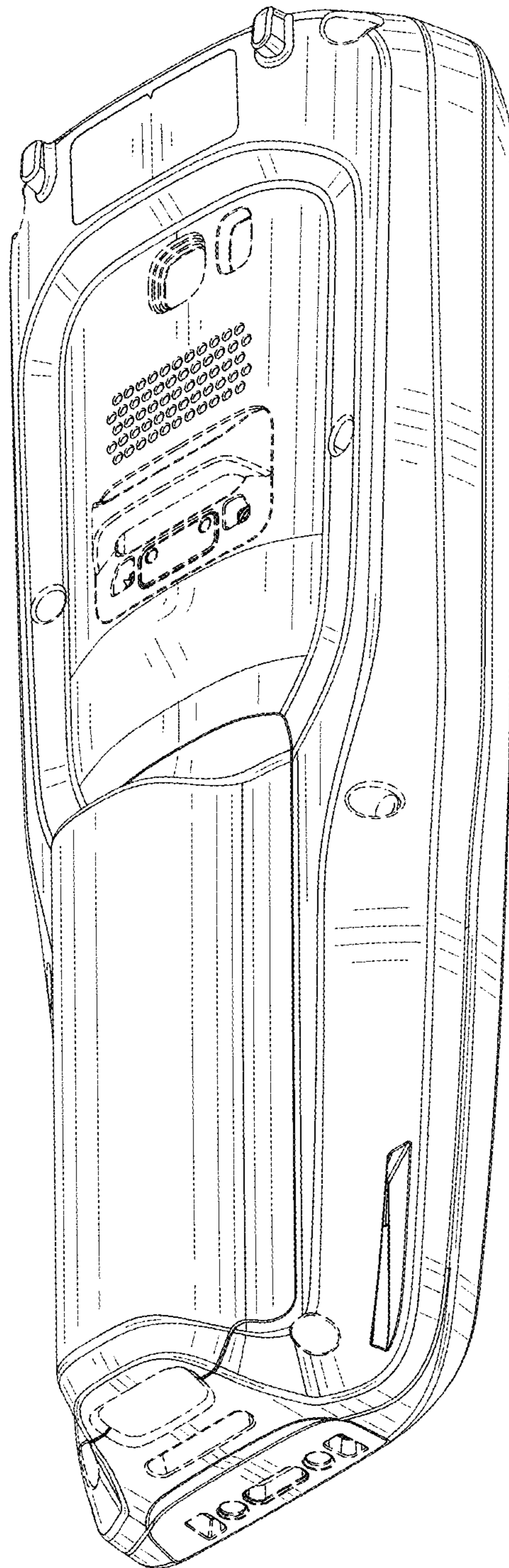


FIG. 2

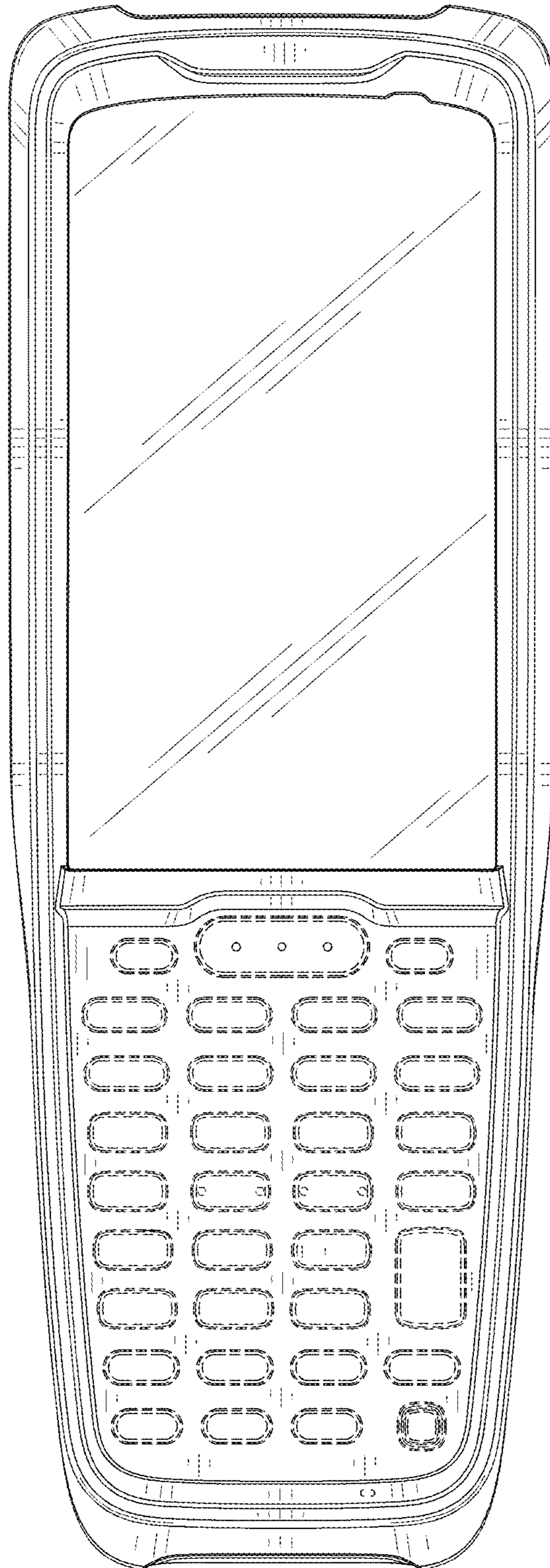


FIG. 3

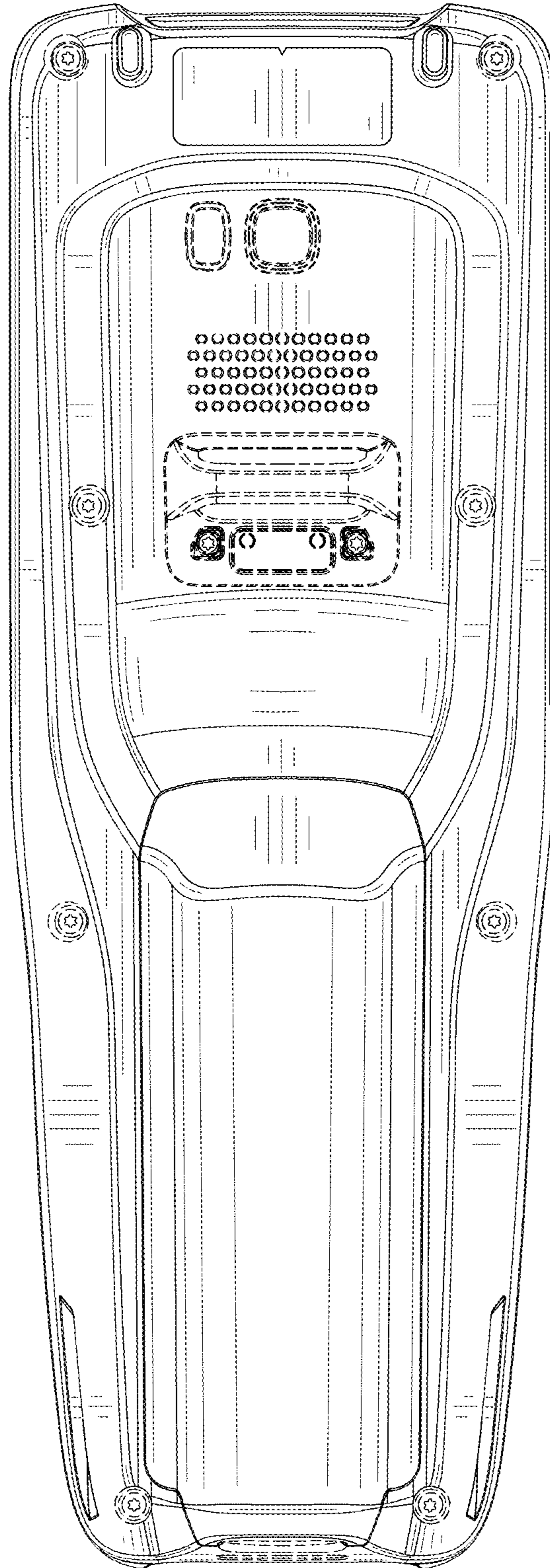


FIG. 4

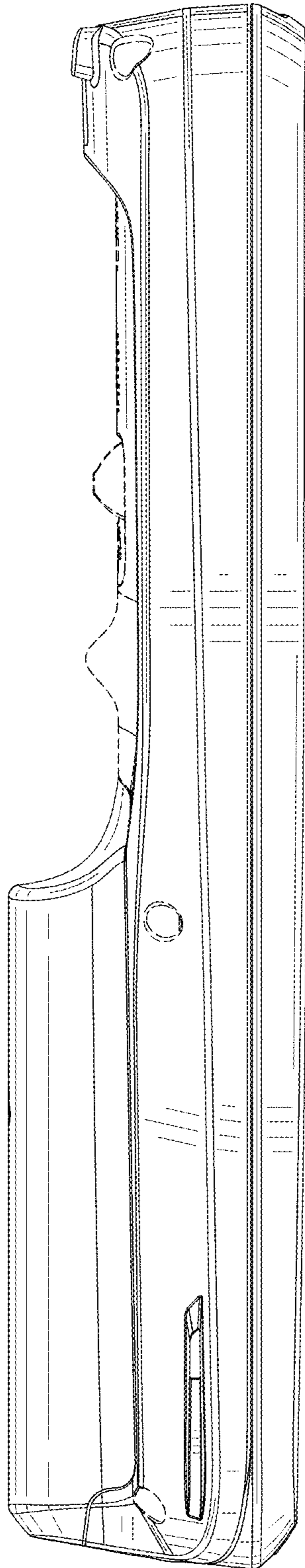


FIG. 5

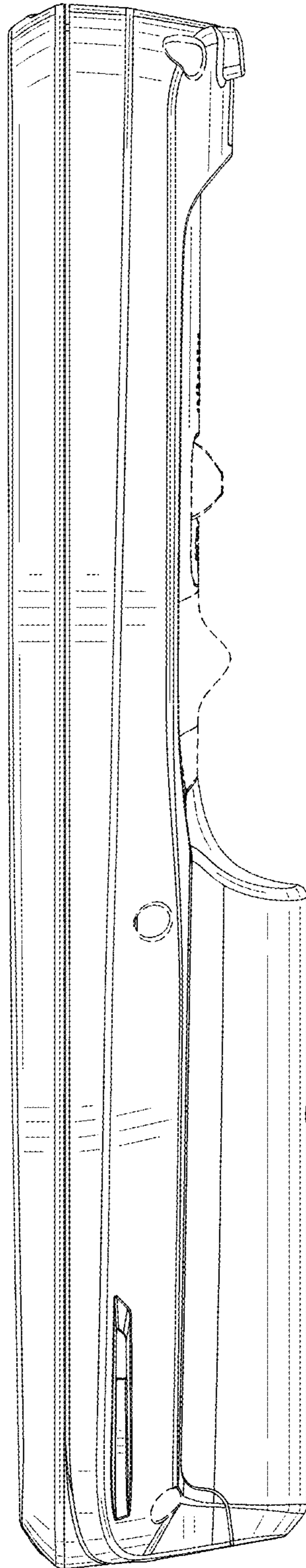


FIG. 6

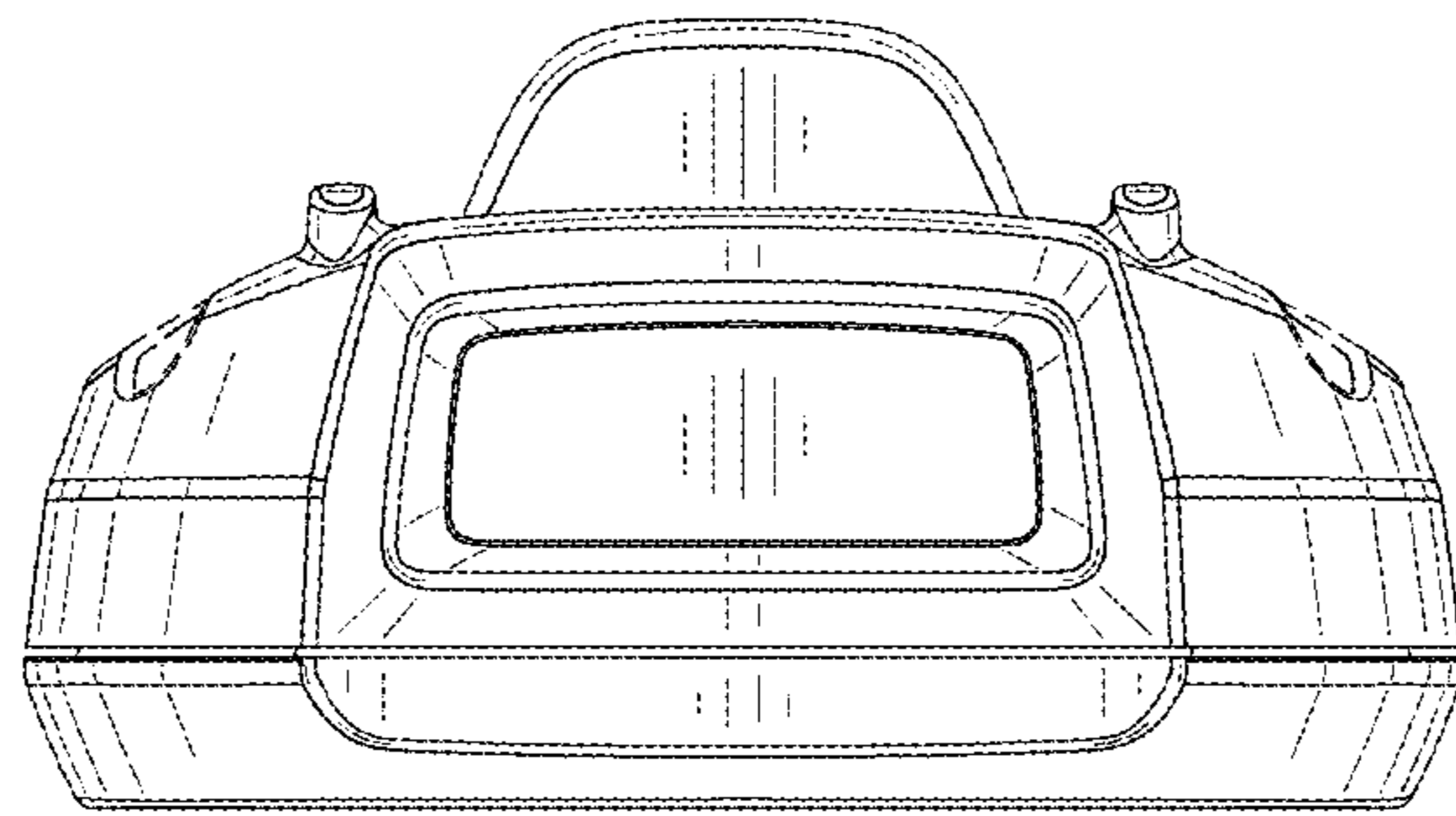


FIG. 7

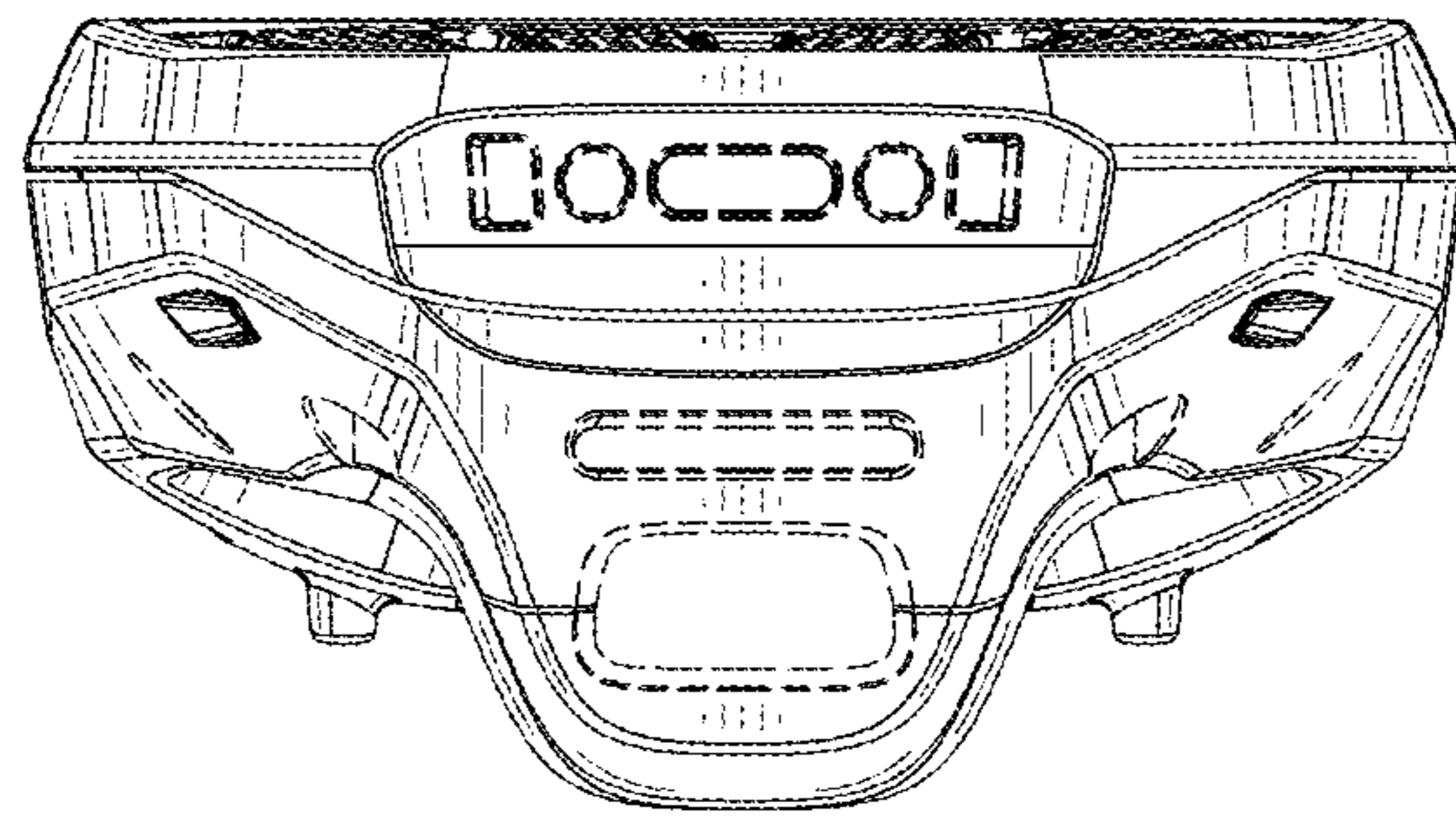


FIG. 8