



US00D978861S

(12) **United States Design Patent** (10) **Patent No.:** **US D978,861 S**  
**Wu** (45) **Date of Patent:** **\*\* Feb. 21, 2023**

- (54) **SMART WATCH**
- (71) Applicant: **Xianghua Wu**, Wuhan (CN)
- (72) Inventor: **Xianghua Wu**, Wuhan (CN)
- (\*\*) Term: **15 Years**
- (21) Appl. No.: **29/851,715**
- (22) Filed: **Aug. 31, 2022**
- (51) **LOC (14) Cl.** ..... **14-02**
- (52) **U.S. Cl.**  
USPC ..... **D14/344**
- (58) **Field of Classification Search**  
USPC ..... D14/138 R, 344; D10/30, 31, 32, 38;  
D11/1, 2, 3, 45, 6, 12, 13, 14, 15, 16, 20,  
D11/26; D24/167  
CPC ..... G04G 17/00; G04G 17/045; G04G 17/08;  
G04G 17/083; G04G 21/00; G04G 21/02;  
G04G 21/025; G04G 21/06; G04G 21/08;  
G04G 99/006; G06F 1/163; A44C 5/022;  
A44C 5/025; A44C 5/0007; A44C  
5/0015; A44C 5/0046; A44C 5/0053;  
A44C 5/2052; A44C 5/2071; A44C 9/00;  
A44C 9/0053  
See application file for complete search history.

(56) **References Cited**

**U.S. PATENT DOCUMENTS**

- D819,627 S \* 6/2018 Boukai ..... D14/344
- D837,675 S \* 1/2019 Tibi ..... D11/3
- D876,966 S \* 3/2020 Shi ..... D14/344
- D893,322 S \* 8/2020 Xiao ..... D10/70
- D900,644 S \* 11/2020 Register ..... D14/344
- D926,613 S \* 8/2021 Chao ..... D11/3
- D927,485 S \* 8/2021 Wu ..... D14/344
- D928,633 S \* 8/2021 Register ..... D14/344
- D929,243 S \* 8/2021 Xu ..... D14/344
- D933,065 S 10/2021 Hong et al.
- D940,704 S \* 1/2022 Weng ..... D14/344
- D945,415 S \* 3/2022 Chao ..... D14/344

- D956,236 S \* 6/2022 Chao ..... D10/38
  - D960,153 S \* 8/2022 Wu ..... D14/344
  - D961,585 S \* 8/2022 He ..... D14/344
- (Continued)

**OTHER PUBLICATIONS**

Bribejat BT2 Smart Watch for Men, www.amazon.com, May 12, 2021. <https://www.amazon.com/BRIBEJAT-Android-Compatible-Activity-Waterproof/dp/B0969DTW2V/> (Year: 2021).\*

(Continued)

*Primary Examiner* — Llorellys Martinez  
*Assistant Examiner* — Kwabena A. Ankobiah  
(74) *Attorney, Agent, or Firm* — Georgi Korobanov

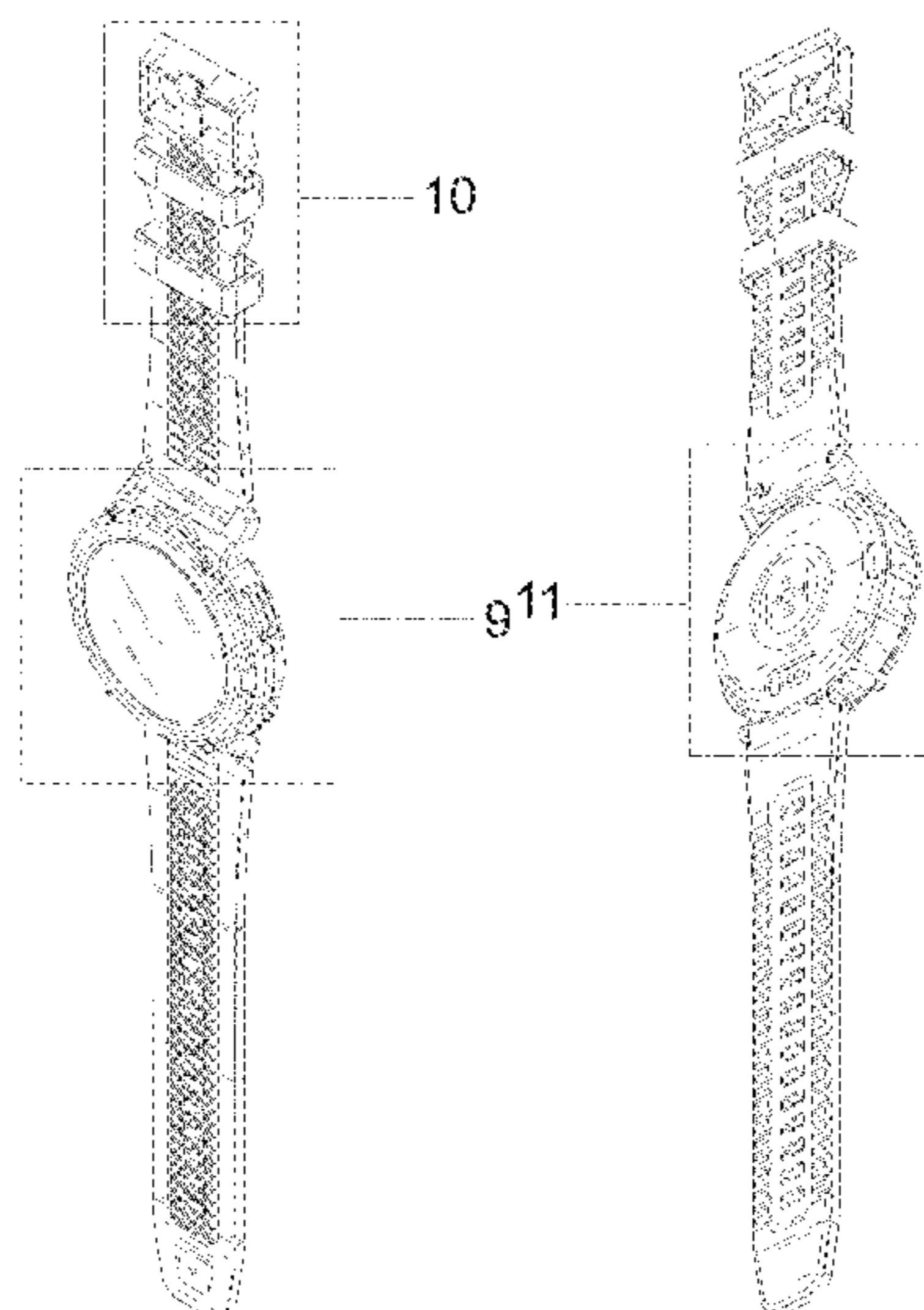
(57) **CLAIM**

The ornamental design for a smart watch, as shown and described.

**DESCRIPTION**

FIG. 1 is a front and top perspective view of a smart watch, showing my new design;  
FIG. 2 is a rear and bottom perspective view thereof;  
FIG. 3 is a front view thereof;  
FIG. 4 is a rear view thereof;  
FIG. 5 is a left side view thereof;  
FIG. 6 is a right side view thereof;  
FIG. 7 is an enlarged top plan view thereof;  
FIG. 8 is an enlarged bottom plan view thereof;  
FIG. 9 is an enlarged view of portion 9 shown in FIG. 1;  
FIG. 10 is an enlarged view of portion 10 shown in FIG. 1; and,  
FIG. 11 is an enlarged view of portion 11 shown in FIG. 2. The dot-dash broken lines encircling a portion of the mobile phone in FIGS. 1, 2, 9, 10, and 11 are included to show a partially enlarged view only and form no part of the claimed design.  
The broken lines in the drawings illustrate portions of the smart watch that form no part of the claimed design.

**1 Claim, 11 Drawing Sheets**



(56)

**References Cited**

U.S. PATENT DOCUMENTS

D962,931 S \* 9/2022 He ..... D14/344  
D964,865 S \* 9/2022 Huang ..... D10/32

OTHER PUBLICATIONS

Hands-on: The Amazfit T-Rex smartwatch is rugged and cheaper than you'd expect, [www.androidauthority.com](https://www.androidauthority.com), Jan. 7, 2022. <https://www.androidauthority.com/huami-amazfit-t-rex-1071154/> (Year: 2022).\*

Amazfit T-Rex 2, [www.amazfit.com](https://www.amazfit.com), Jun. 3, 2022. <https://www.amazfit.com/us/amazfit-t-rex-2.html> (Year: 2022).\*

\* cited by examiner

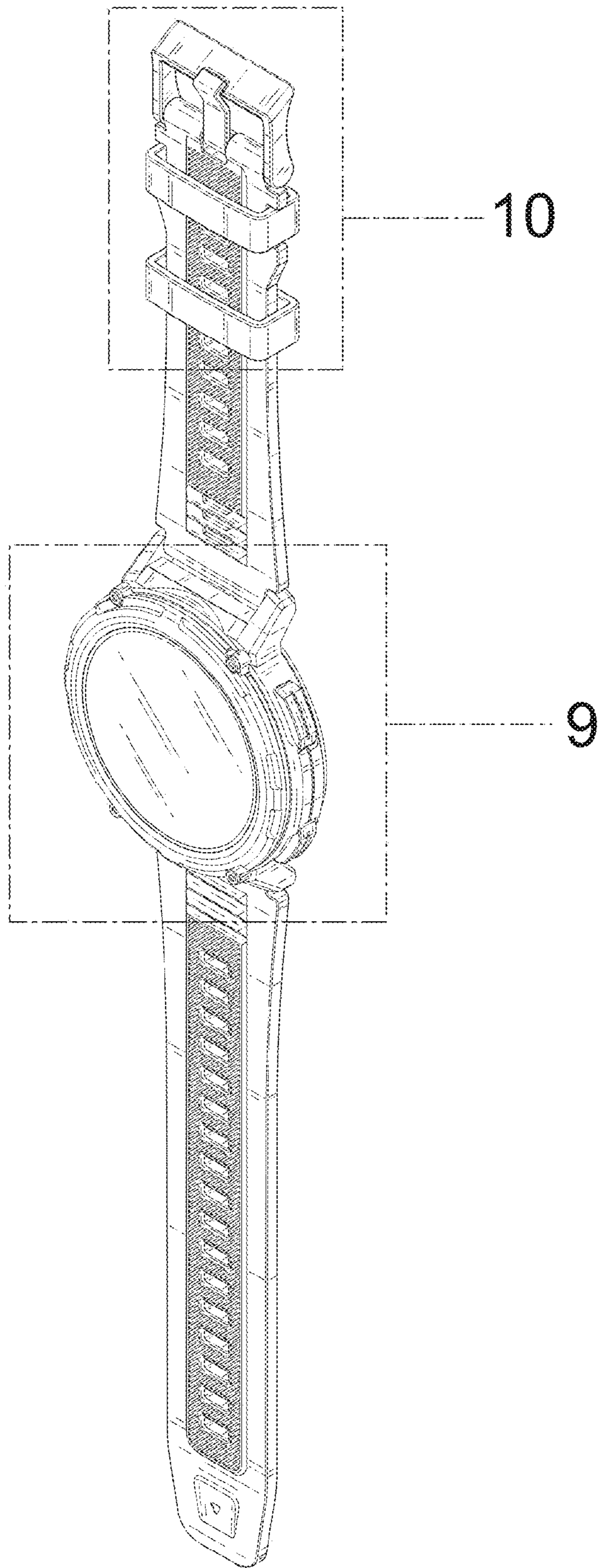


FIG. 1

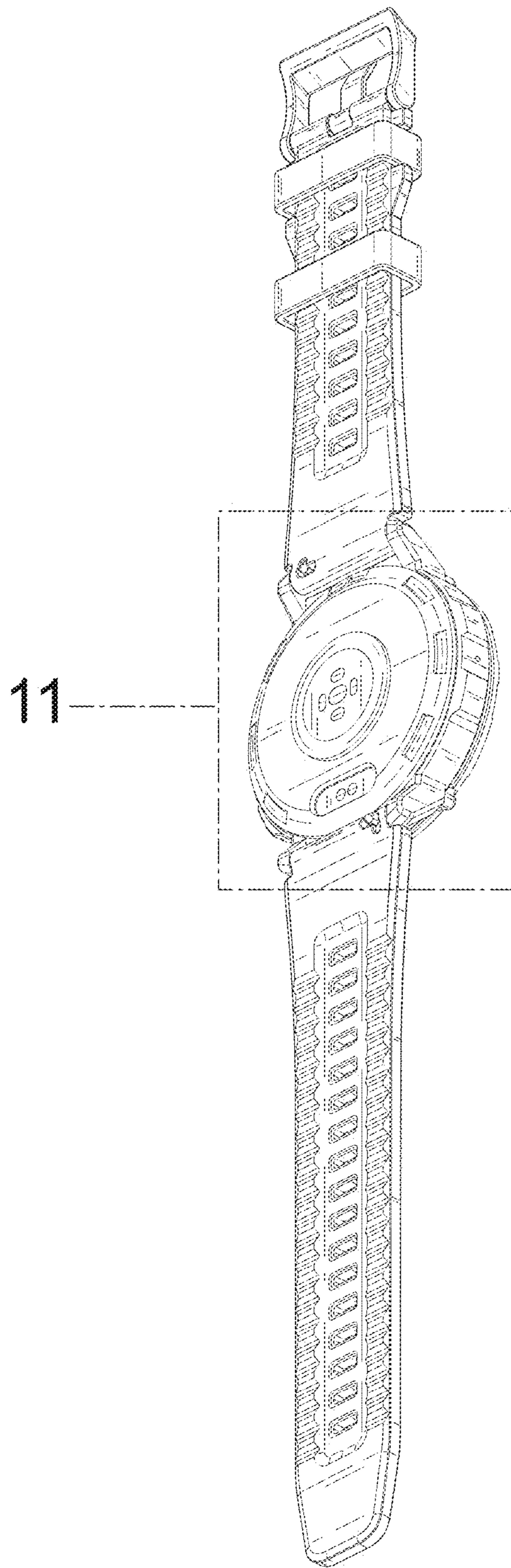


FIG. 2

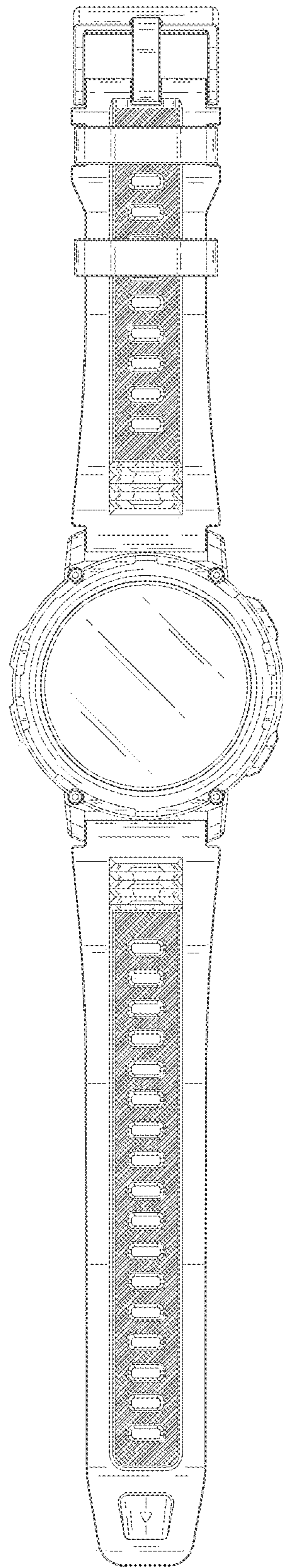


FIG. 3

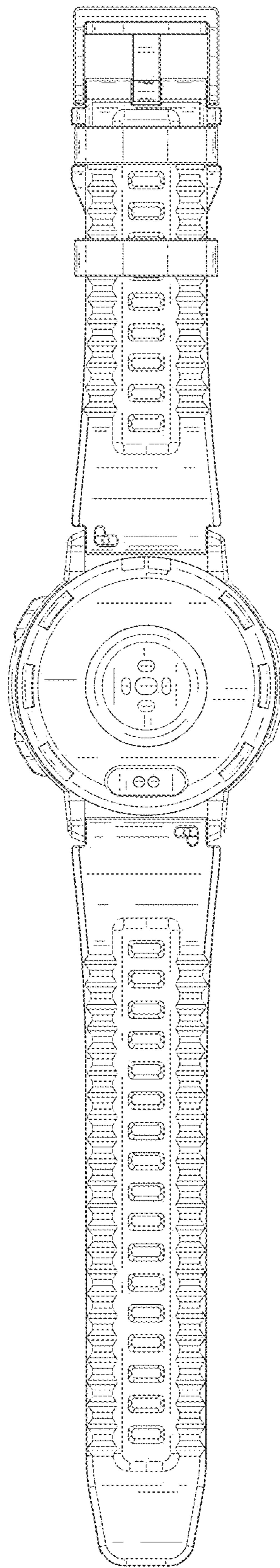


FIG. 4

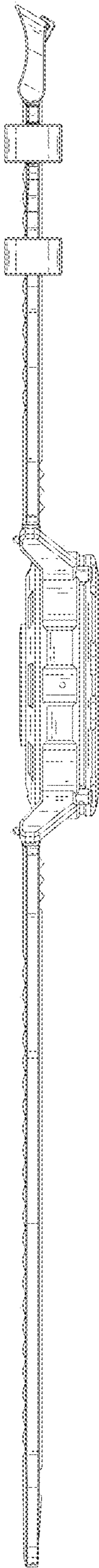


FIG. 5

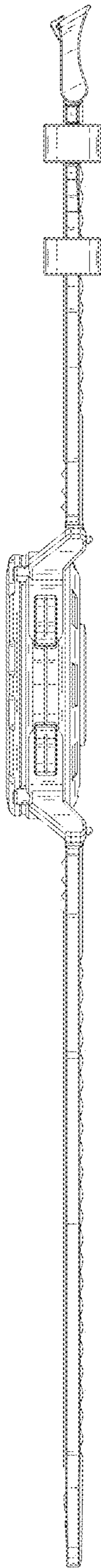


FIG. 6



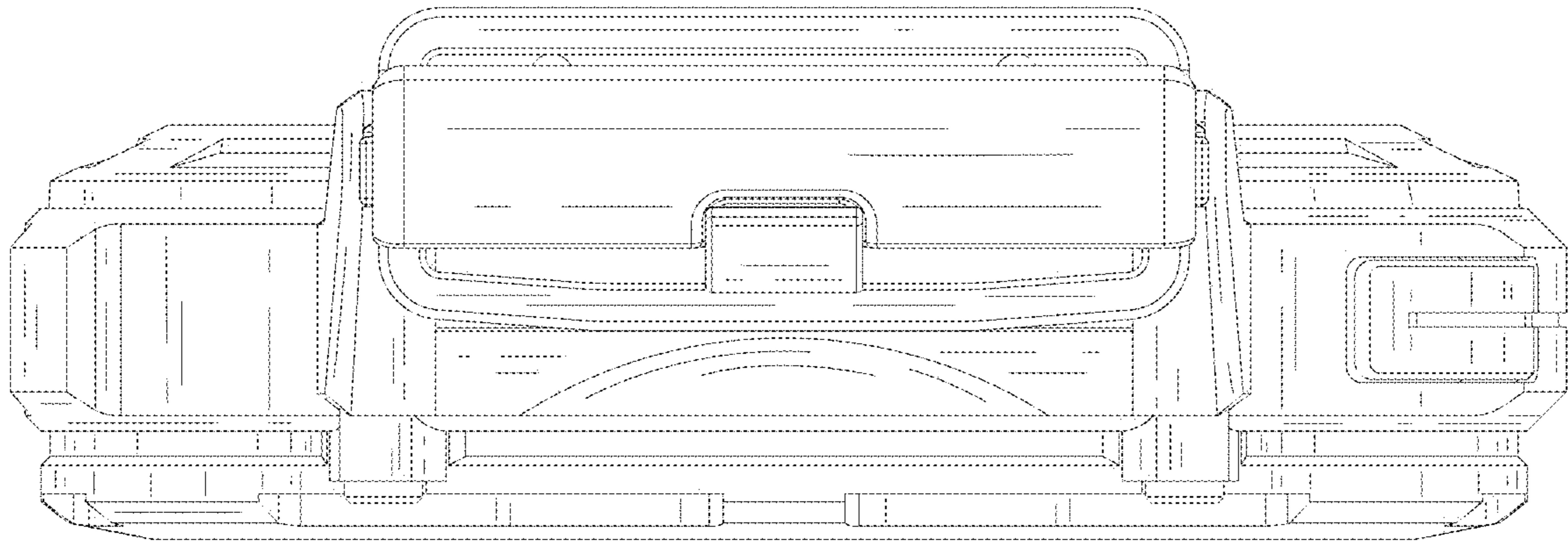


FIG. 7

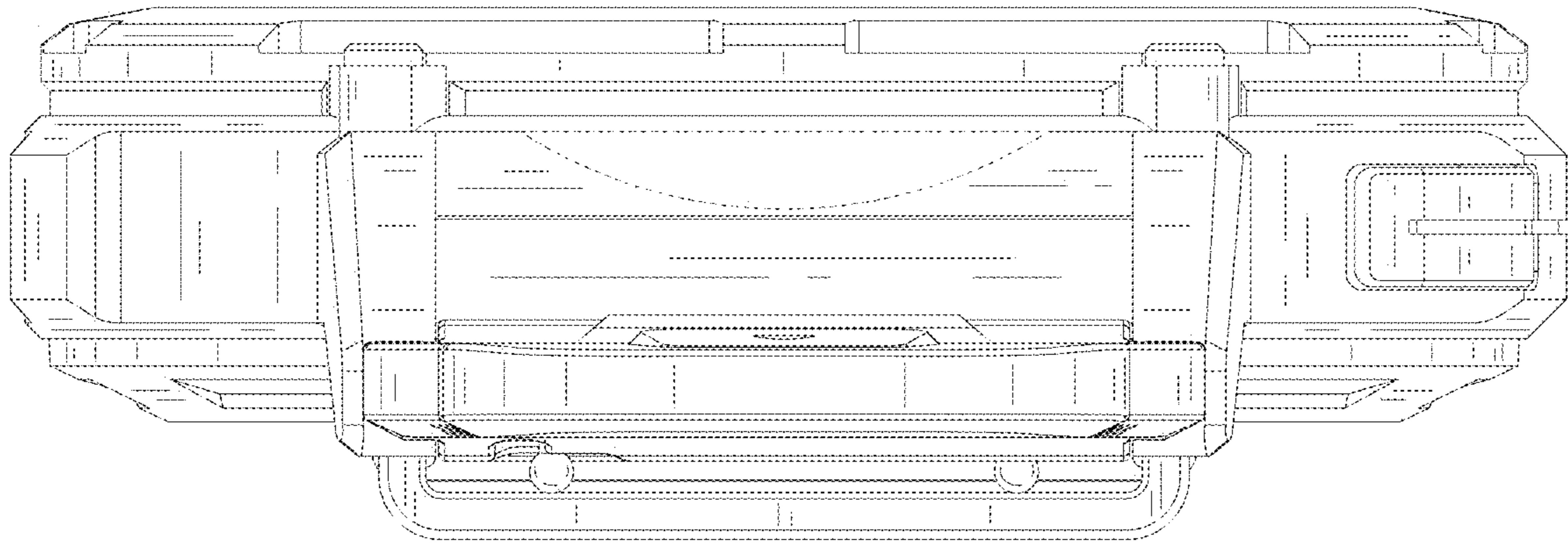


FIG. 8

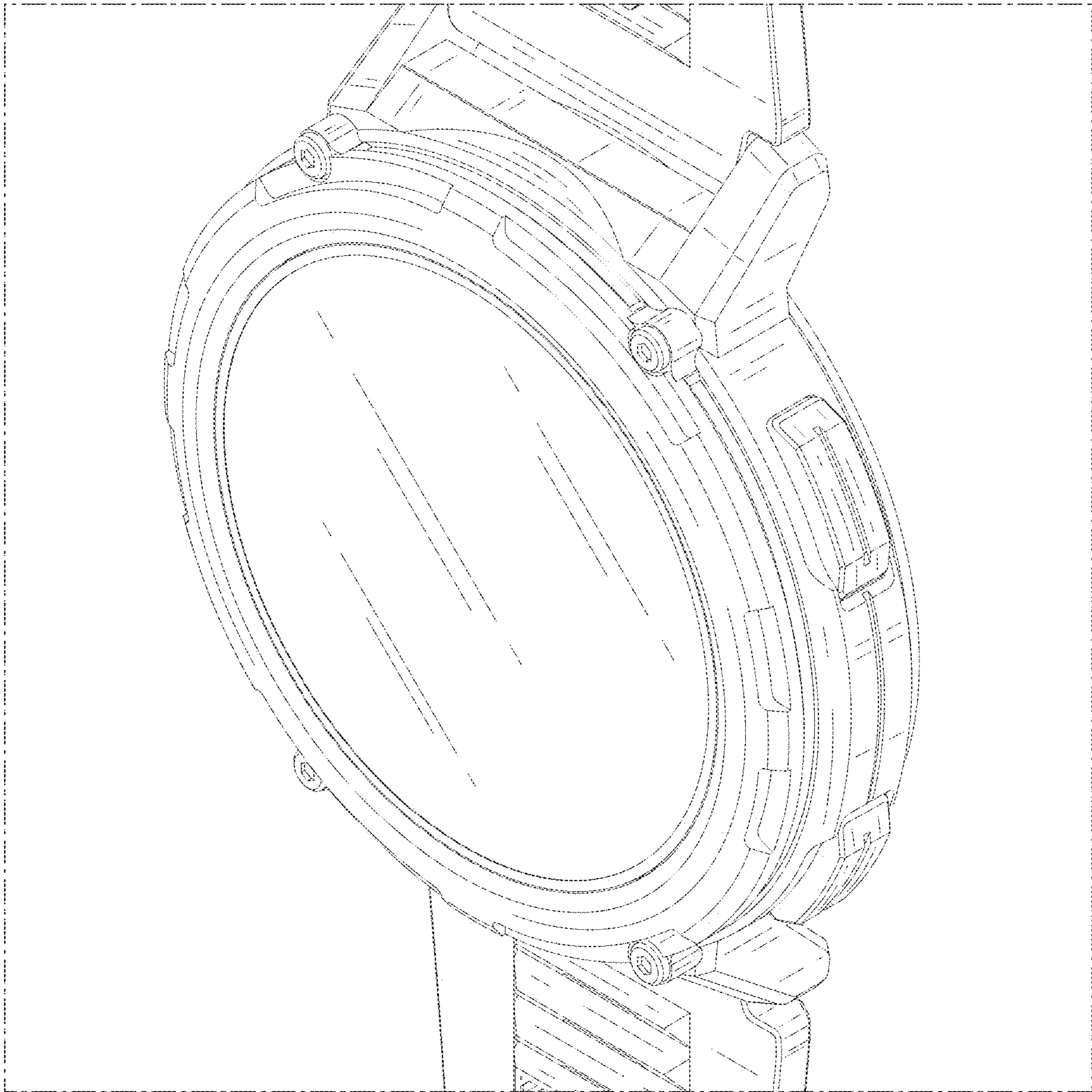


FIG. 9

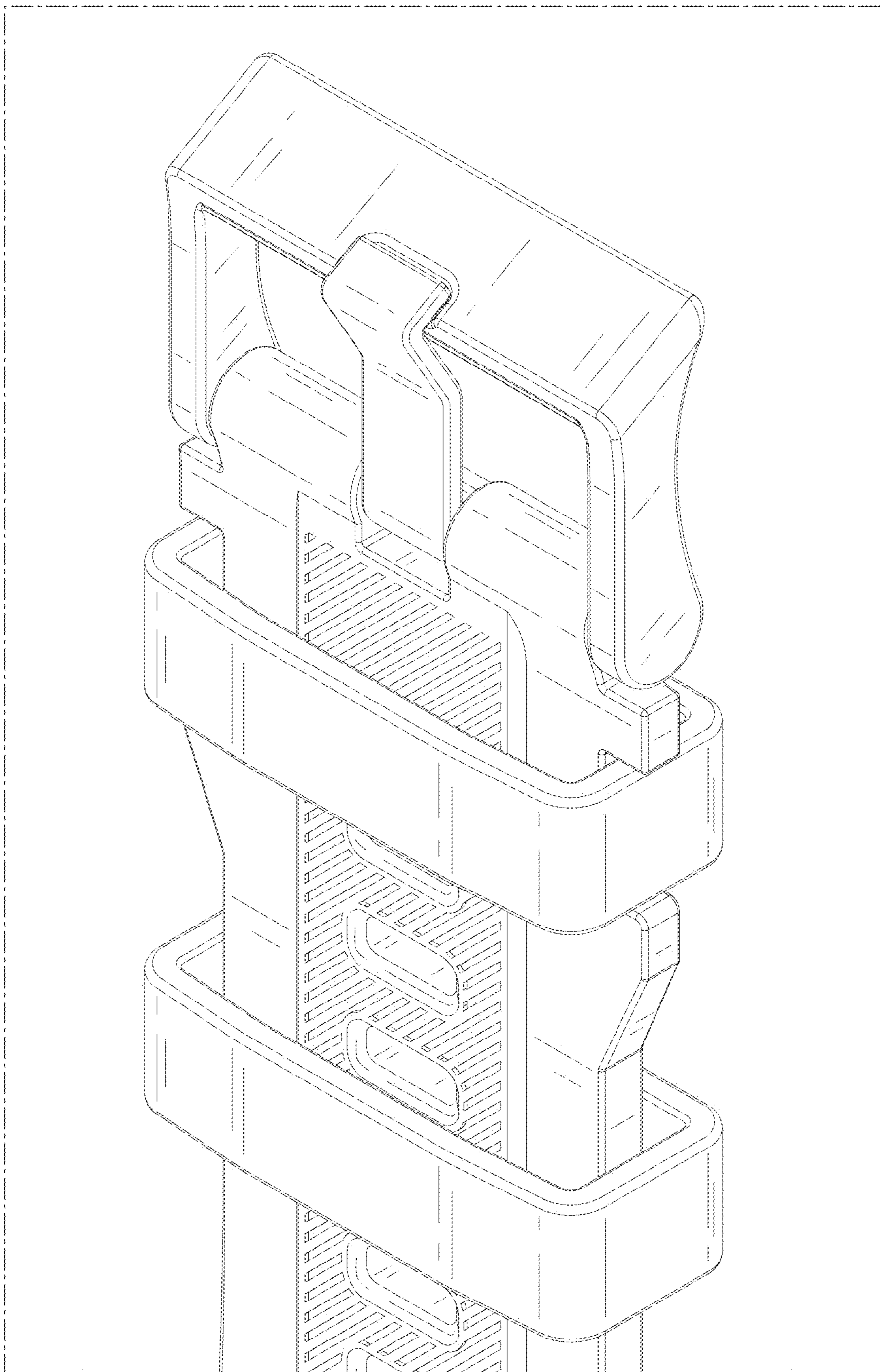


FIG. 10

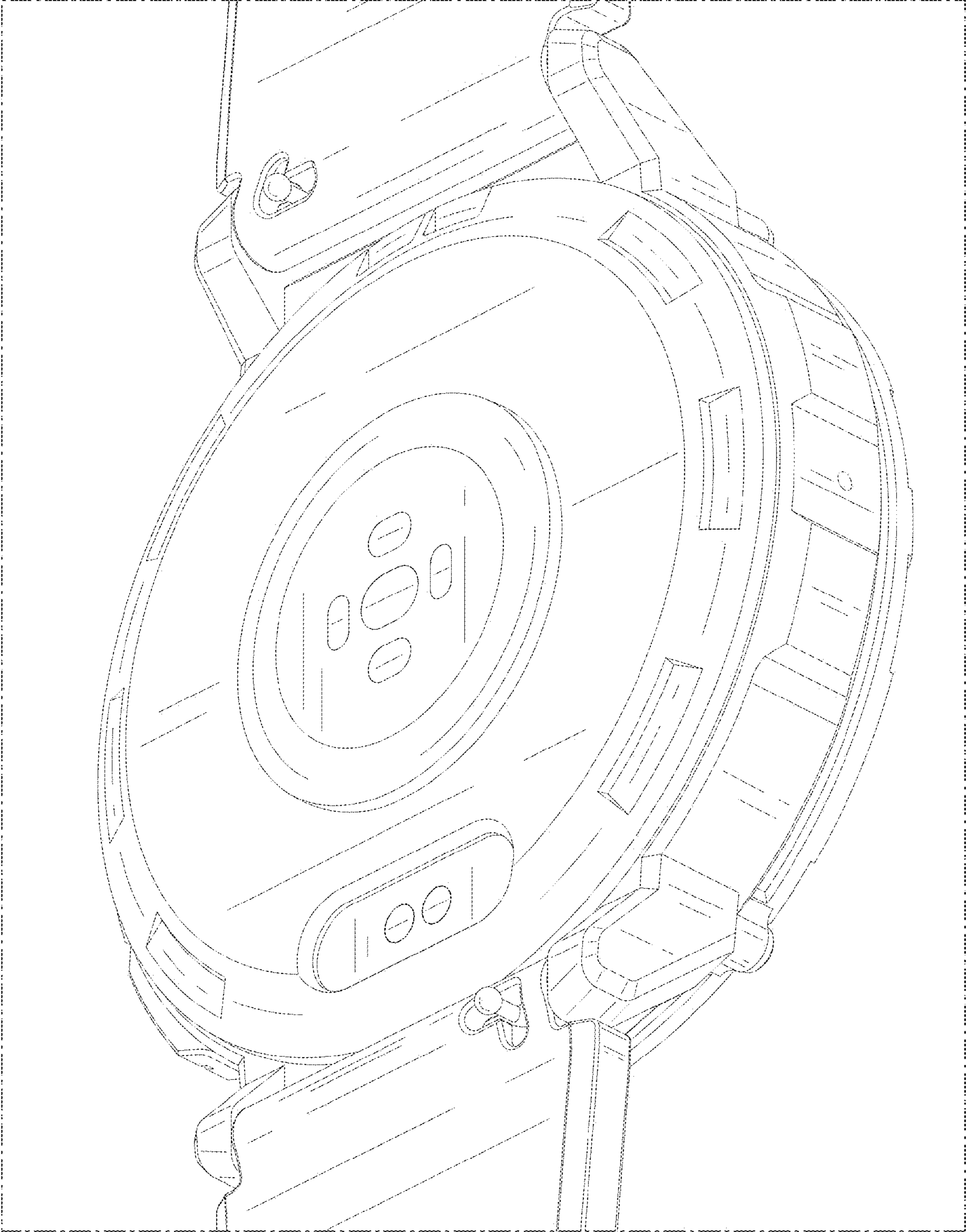


FIG. 11