



US00D978860S

(12) **United States Design Patent**  
**Spring et al.**

(10) **Patent No.:** **US D978,860 S**

(45) **Date of Patent:** **\*\* Feb. 21, 2023**

(54) **BAND AND INTERFACE FOR A WEARABLE DEVICE**

(71) Applicant: **ReliefBand Technologies, LLC**,  
Horsham, PA (US)

(72) Inventors: **Nicholas Spring**, Jenkintown, PA (US);  
**Jacqueline Simon**, New Hope, PA (US)

(73) Assignee: **ReliefBand Technologies, LLC**,  
Horsham, PA (US)

(\*\*) Term: **15 Years**

(21) Appl. No.: **29/840,181**

(22) Filed: **May 26, 2022**

**Related U.S. Application Data**

(63) Continuation of application No. 29/632,281, filed on  
Jan. 5, 2018, now Pat. No. Des. 957,387.

(51) **LOC (14) Cl.** ..... **14-02**

(52) **U.S. Cl.**  
USPC ..... **D14/344**

(58) **Field of Classification Search**  
USPC .... D10/30–39; D11/3, 4, 26, 93–94, 79, 86,  
D11/87; D14/341, 344; D24/186–187  
CPC ..... A61H 39/00–04; A61H 2201/165; A61N  
1/36

See application file for complete search history.

(56) **References Cited**

**U.S. PATENT DOCUMENTS**

D881,876 S \* 4/2020 Xiao ..... D14/344  
D903,663 S \* 12/2020 Jones ..... D14/344  
D910,618 S \* 2/2021 Kozlovskaya ..... D14/344  
D911,330 S \* 2/2021 Kozlovskaya ..... D14/344  
D917,471 S \* 4/2021 Yan ..... D14/344  
D920,327 S \* 5/2021 Wu ..... D14/344  
D920,328 S \* 5/2021 Wu ..... D14/344

D926,756 S \* 8/2021 Yi ..... D14/344  
D927,999 S \* 8/2021 Paschke ..... D10/70  
D931,852 S \* 9/2021 Zheng ..... A61H 39/002  
D14/344  
D933,649 S \* 10/2021 Yu ..... A61L 31/022  
D14/344  
D954,050 S \* 6/2022 Spring ..... D14/344

(Continued)

*Primary Examiner* — Joseph Kukella

(74) *Attorney, Agent, or Firm* — Troutman Pepper  
Hamilton Sanders LLP

(57) **CLAIM**

The ornamental design for a band and interface for a  
wearable device, as shown and described.

**DESCRIPTION**

FIG. 1 is a front right perspective view of the band and  
interface for a wearable device;

FIG. 2 is a rear left perspective view of the band and  
interface for a wearable device;

FIG. 3 is a right side view of the band and interface for a  
wearable device;

FIG. 4 is a left side view of the band and interface for a  
wearable device;

FIG. 5 is a front view of the band and interface for a  
wearable device;

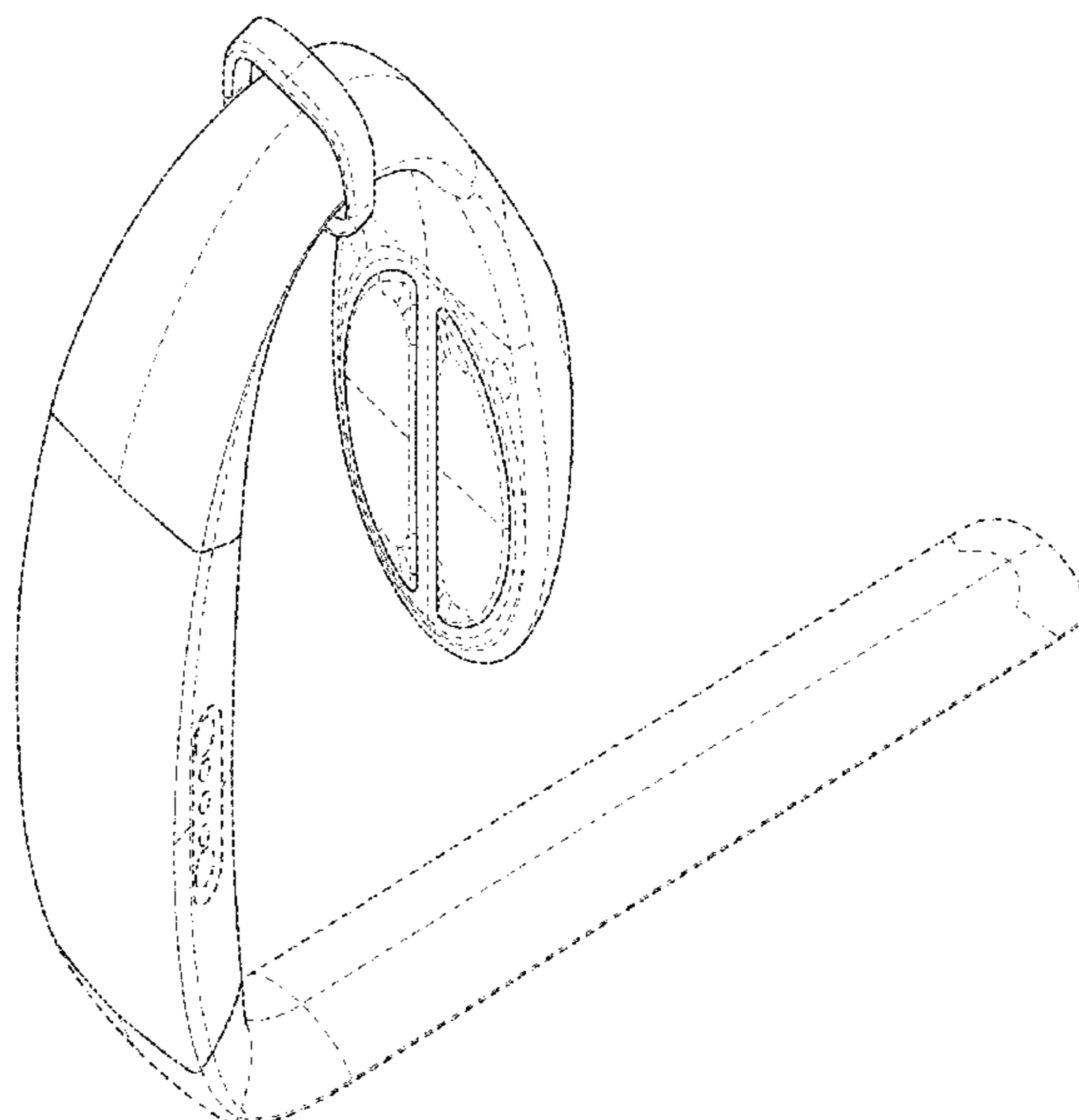
FIG. 6 is a rear view of the band and interface for a wearable  
device;

FIG. 7 is a top view of the band and interface for a wearable  
device; and,

FIG. 8 is a bottom view of the band and interface for a  
wearable device with a broken line portion shown removed  
to reveal the bottom view of the band.

Applicants claim the design for a band and interface for a  
wearable device shown in the drawing figures. The broken  
lines shown in the drawings depict portions of the wearable  
device and form no part of the claimed design.

**1 Claim, 8 Drawing Sheets**



(56)

**References Cited**

U.S. PATENT DOCUMENTS

D957,387 S \* 7/2022 Spring ..... D14/344  
2019/0209838 A1 \* 7/2019 Spring ..... A61H 39/002  
2020/0222279 A1 \* 7/2020 Spring ..... A61L 31/022

\* cited by examiner

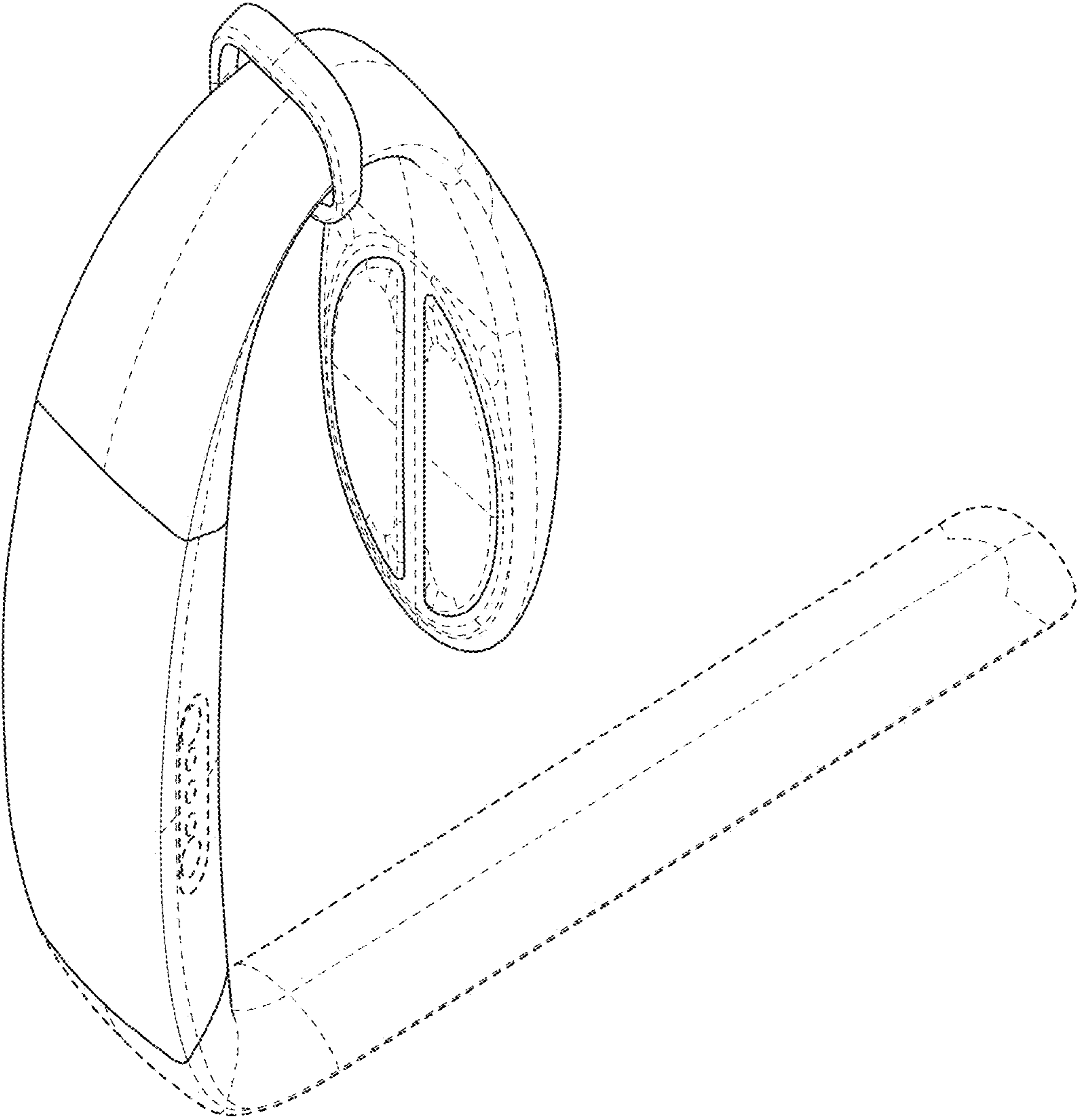


FIG. 1

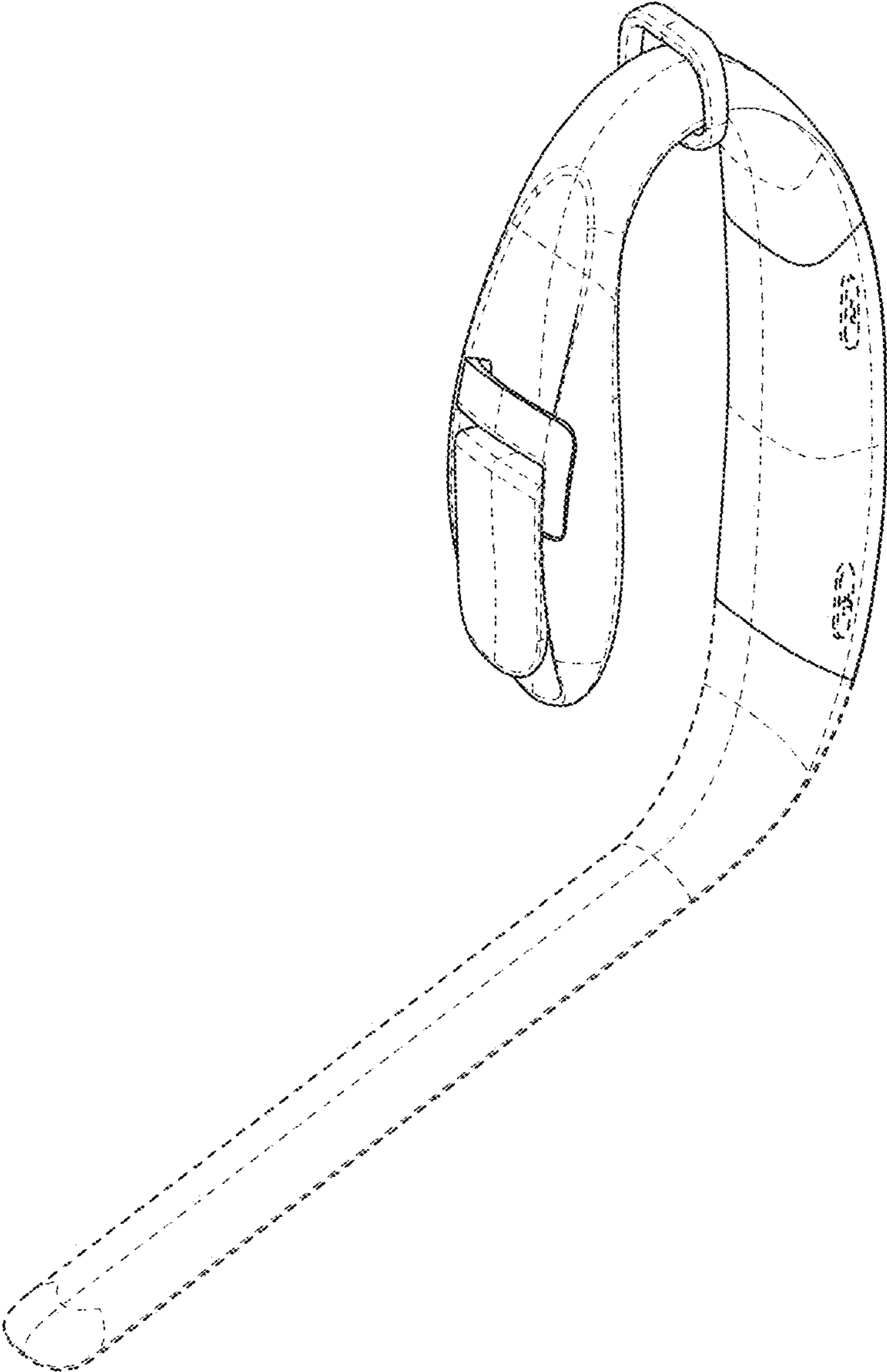


FIG. 2

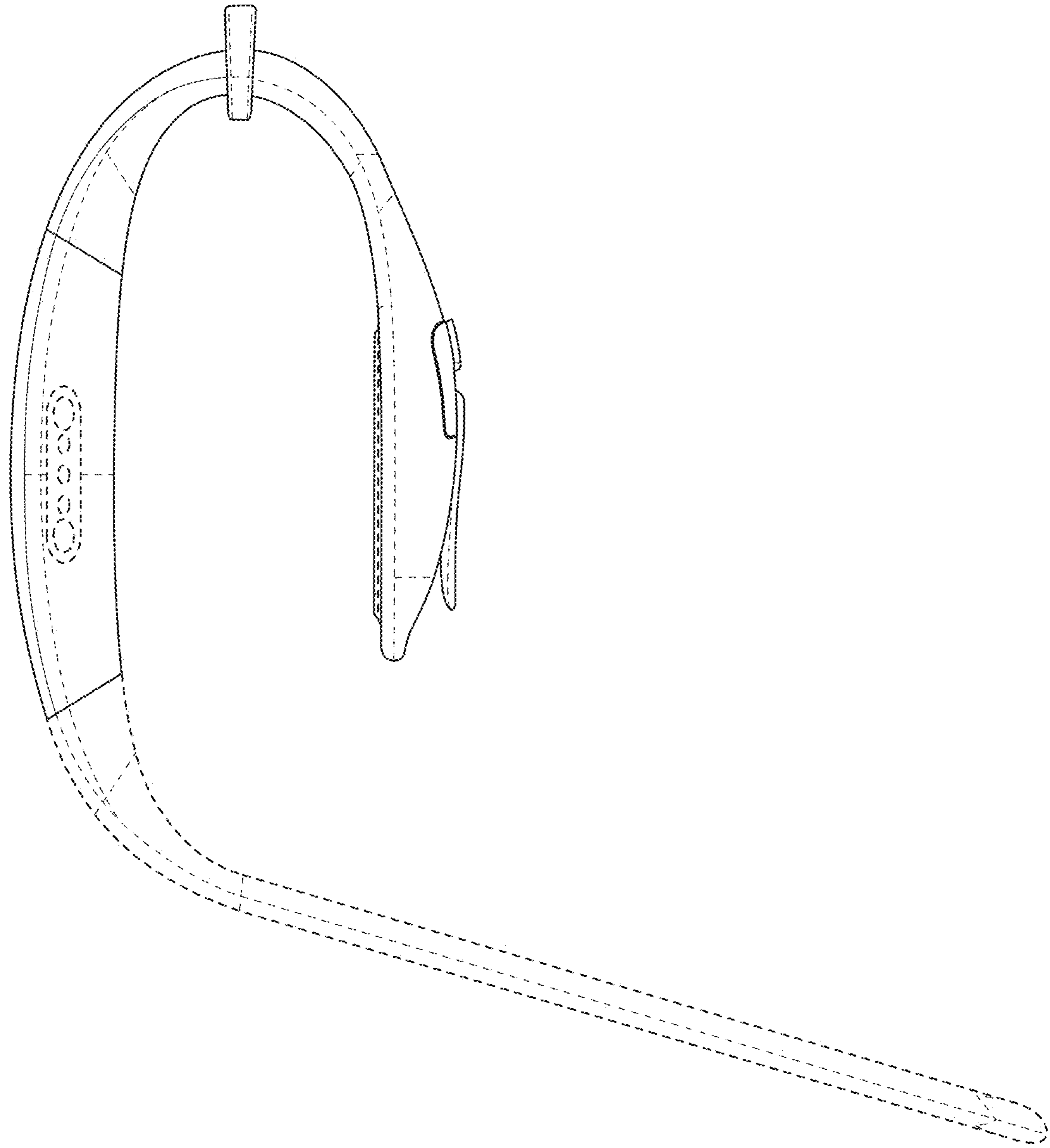


FIG. 3

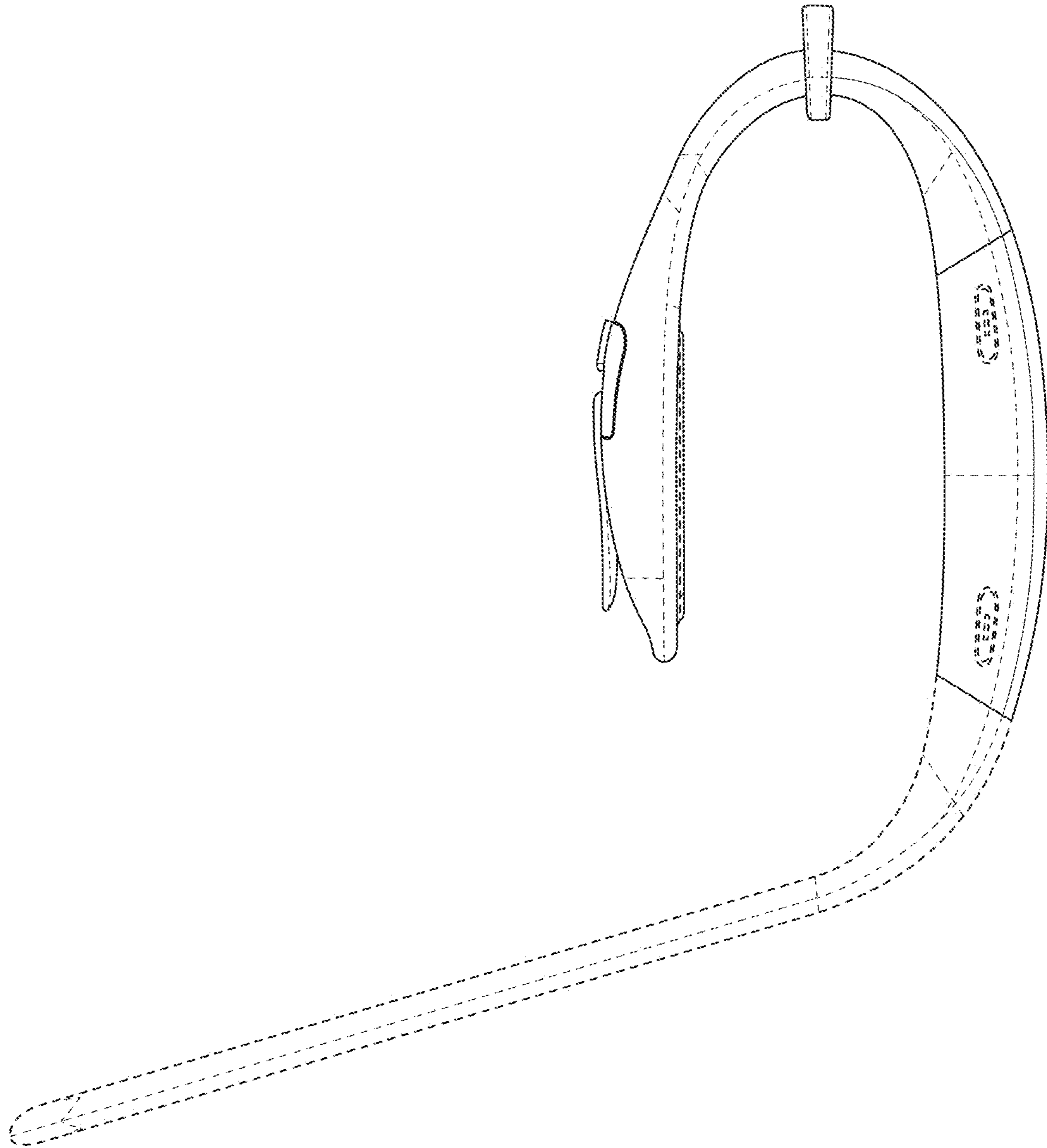


FIG. 4

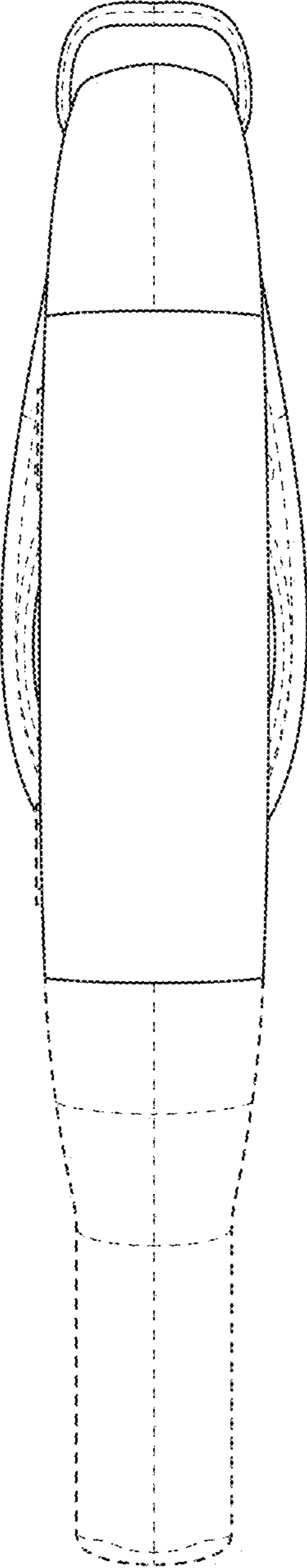


FIG. 5

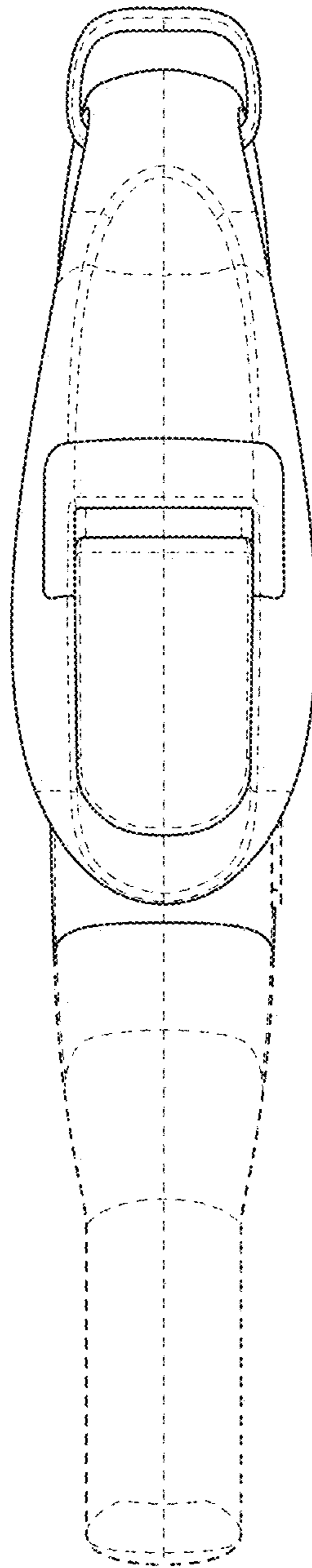


FIG. 6



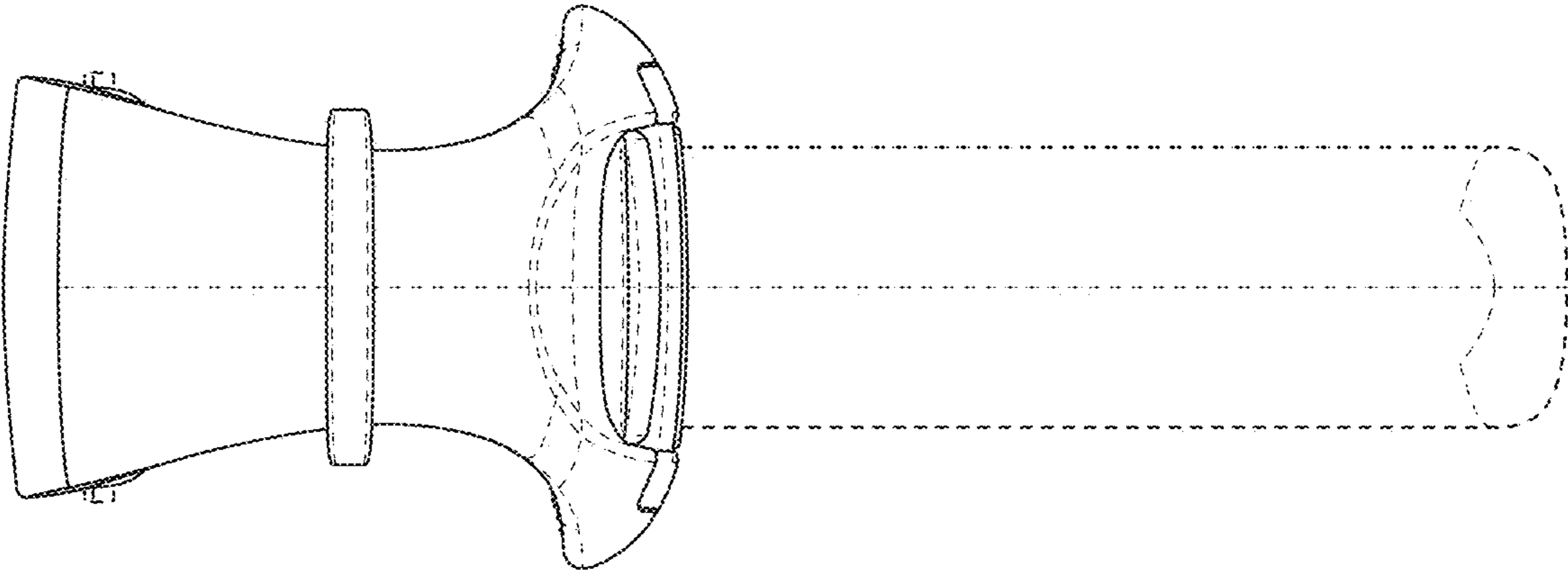


FIG. 7

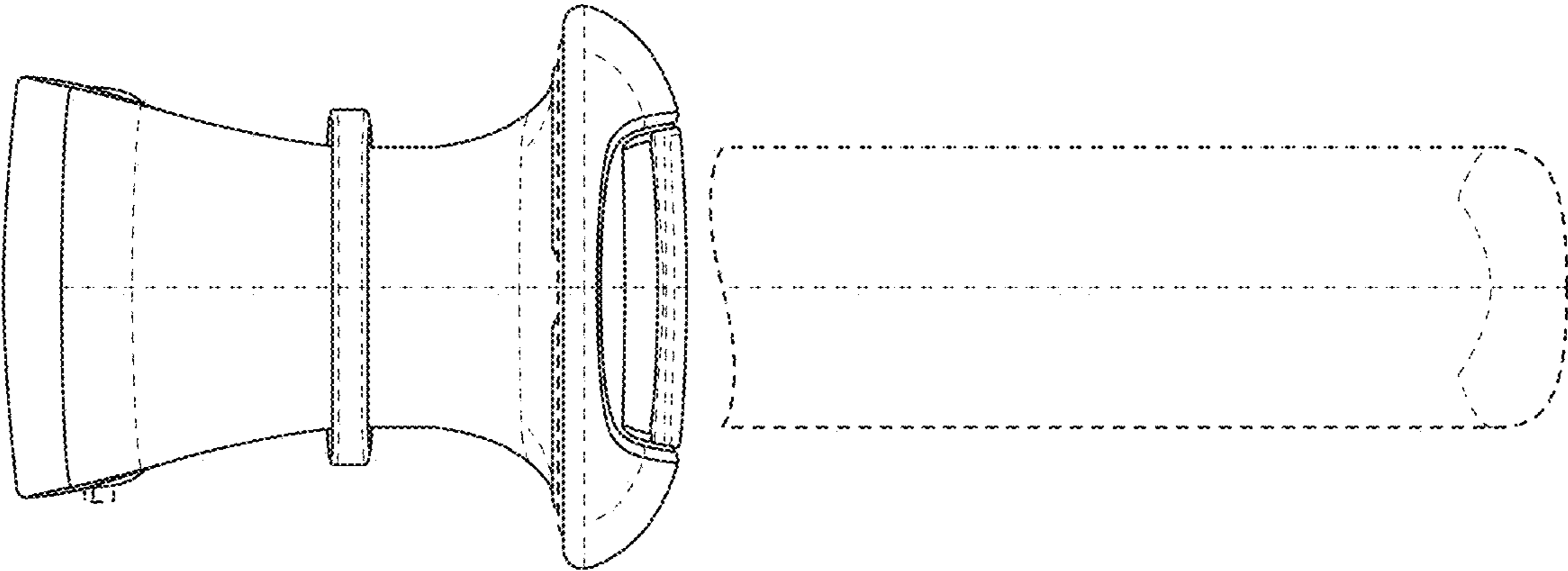


FIG. 8