



US00D978859S

(12) **United States Design Patent**
Spring et al.

(10) **Patent No.:** **US D978,859 S**

(45) **Date of Patent:** **** Feb. 21, 2023**

(54) **WEARABLE DEVICE**

(71) Applicant: **ReliefBand Technologies, LLC,**
Horsham, PA (US)

(72) Inventors: **Nicholas Spring,** Jenkintown, PA (US);
Jacqueline Simon, New Hope, PA (US)

(73) Assignee: **ReliefBand Technologies, LLC,**
Horsham, PA (US)

(**) Term: **15 Years**

(21) Appl. No.: **29/839,846**

(22) Filed: **May 24, 2022**

Related U.S. Application Data

(63) Continuation of application No. 29/632,279, filed on
Jan. 5, 2018, now Pat. No. Des. 954,050.

(51) **LOC (14) Cl.** **14-02**

(52) **U.S. Cl.**
USPC **D14/344**

(58) **Field of Classification Search**
USPC D10/30–39; D11/3, 4, 26, 93–94, 79, 86,
D11/87; D14/341, 344; D24/186–187
CPC A61H 39/00–04; A61H 2201/165; A61N
1/36

See application file for complete search history.

(56) **References Cited**

U.S. PATENT DOCUMENTS

D881,876 S * 4/2020 Xiao D14/344
D903,663 S * 12/2020 Jones D14/344
D910,618 S * 2/2021 Kozlovskaya D14/344
D911,330 S * 2/2021 Kozlovskaya D14/344
D917,471 S * 4/2021 Yan D14/344

D920,327 S * 5/2021 Wu D14/344
D920,328 S * 5/2021 Wu D14/344
D926,756 S * 8/2021 Yi D14/344
D927,999 S * 8/2021 Paschke D10/70
D931,852 S * 9/2021 Zheng A61H 39/002
D14/344
D933,649 S * 10/2021 Yu A61L 31/022
D14/344
D954,050 S * 6/2022 Spring D14/344
D957,387 S * 7/2022 Spring D14/344
2019/0209838 A1 * 7/2019 Spring A61H 39/002
2020/0222279 A1 * 7/2020 Spring A61L 31/022

* cited by examiner

Primary Examiner — Joseph Kukella

(74) *Attorney, Agent, or Firm* — Troutman Pepper
Hamilton Sanders LLP

(57) **CLAIM**

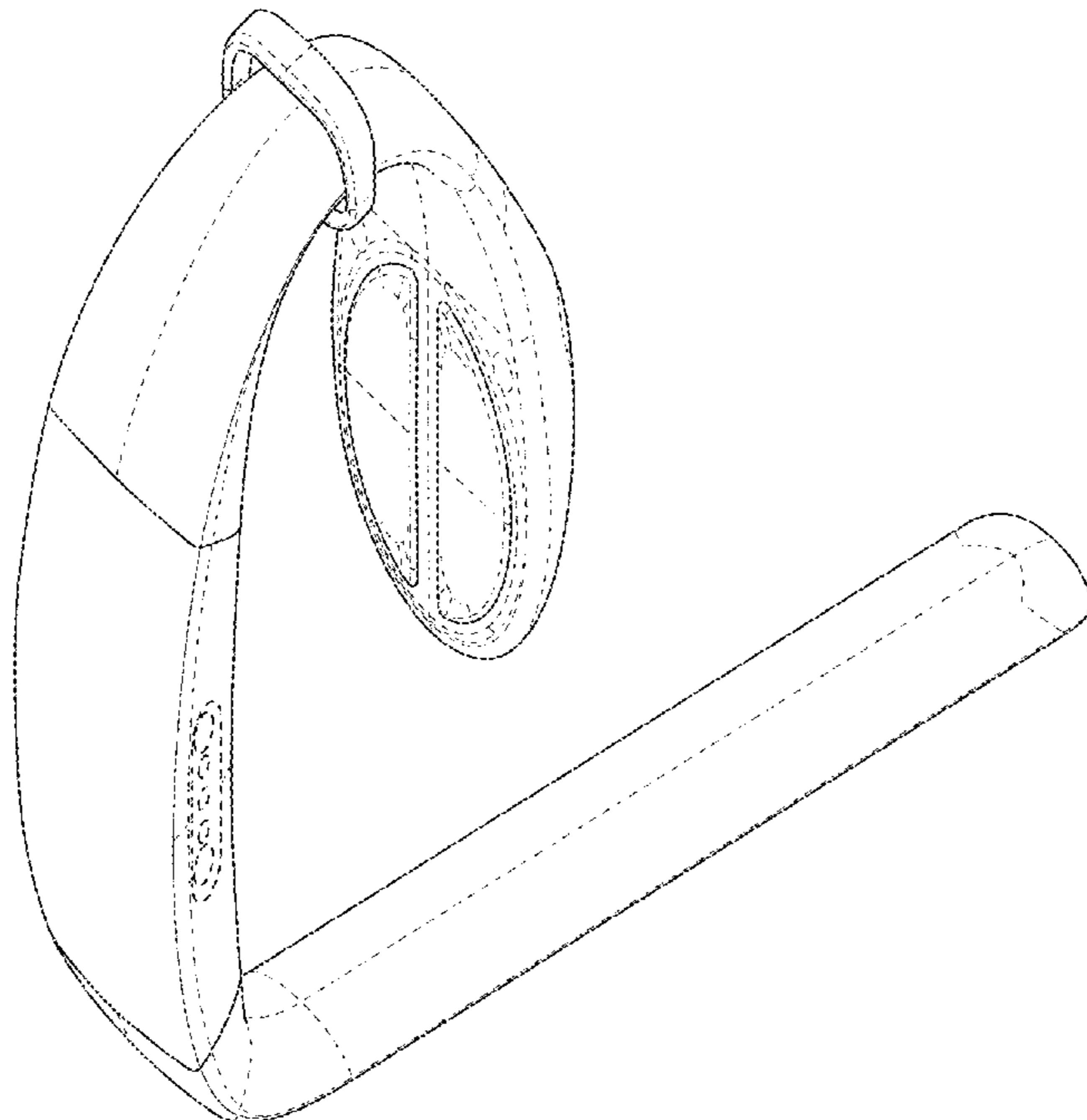
The ornamental design for a wearable device, as shown and
described.

DESCRIPTION

FIG. 1 is a front right perspective view of the wearable
device;
FIG. 2 is a rear left perspective view of the wearable device;
FIG. 3 is a right side view of the wearable device;
FIG. 4 is a left side view of the wearable device;
FIG. 5 is a front view of the wearable device;
FIG. 6 is a rear view of the wearable device;
FIG. 7 is a top view of the wearable device; and,
FIG. 8 is a bottom view of the wearable device.

Applicants claim the design for a wearable device shown in
the drawing figures. The broken lines shown in the drawings
depict portions of the wearable device and form no part of
the claimed design.

1 Claim, 8 Drawing Sheets



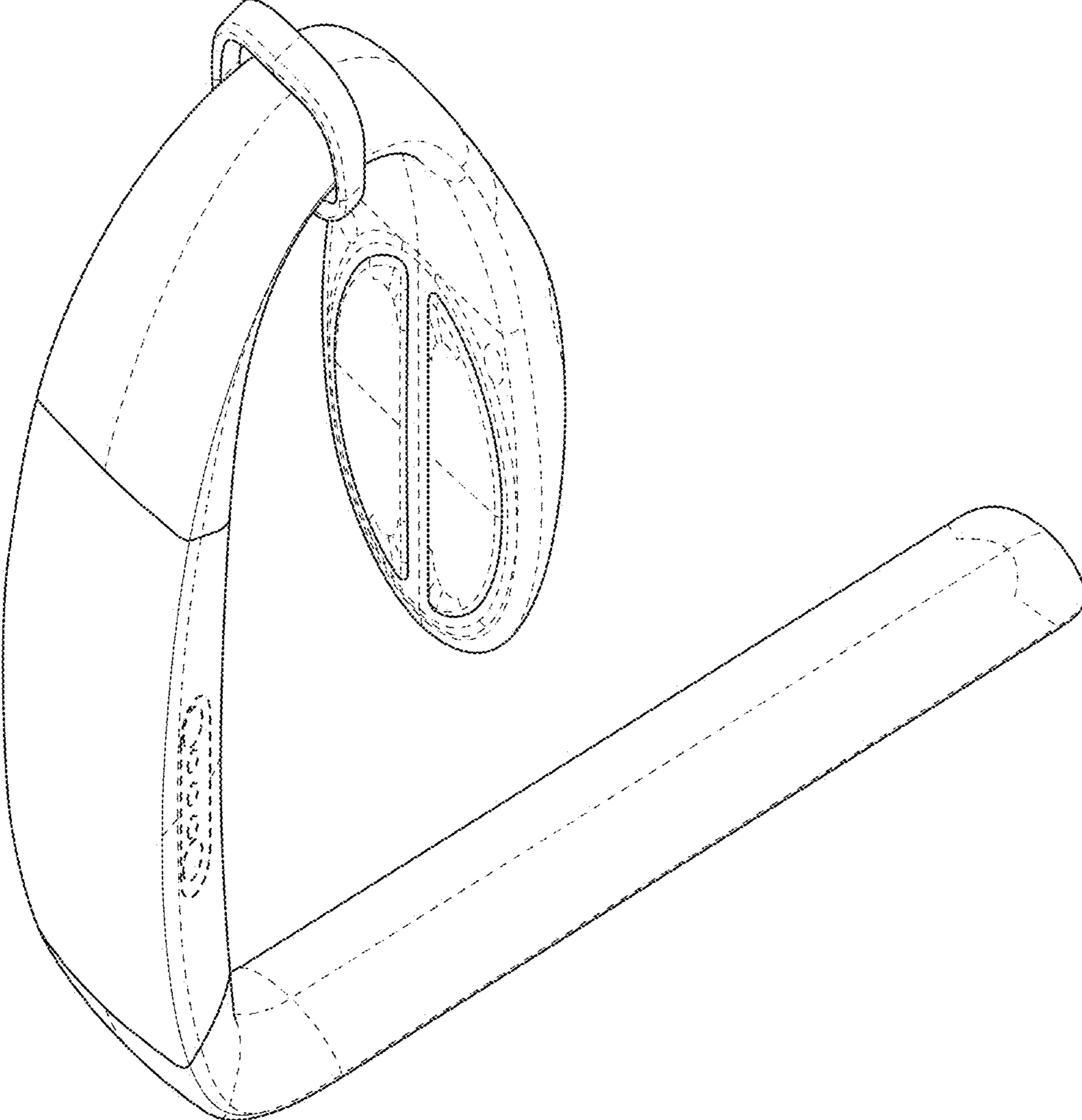


FIG. 1

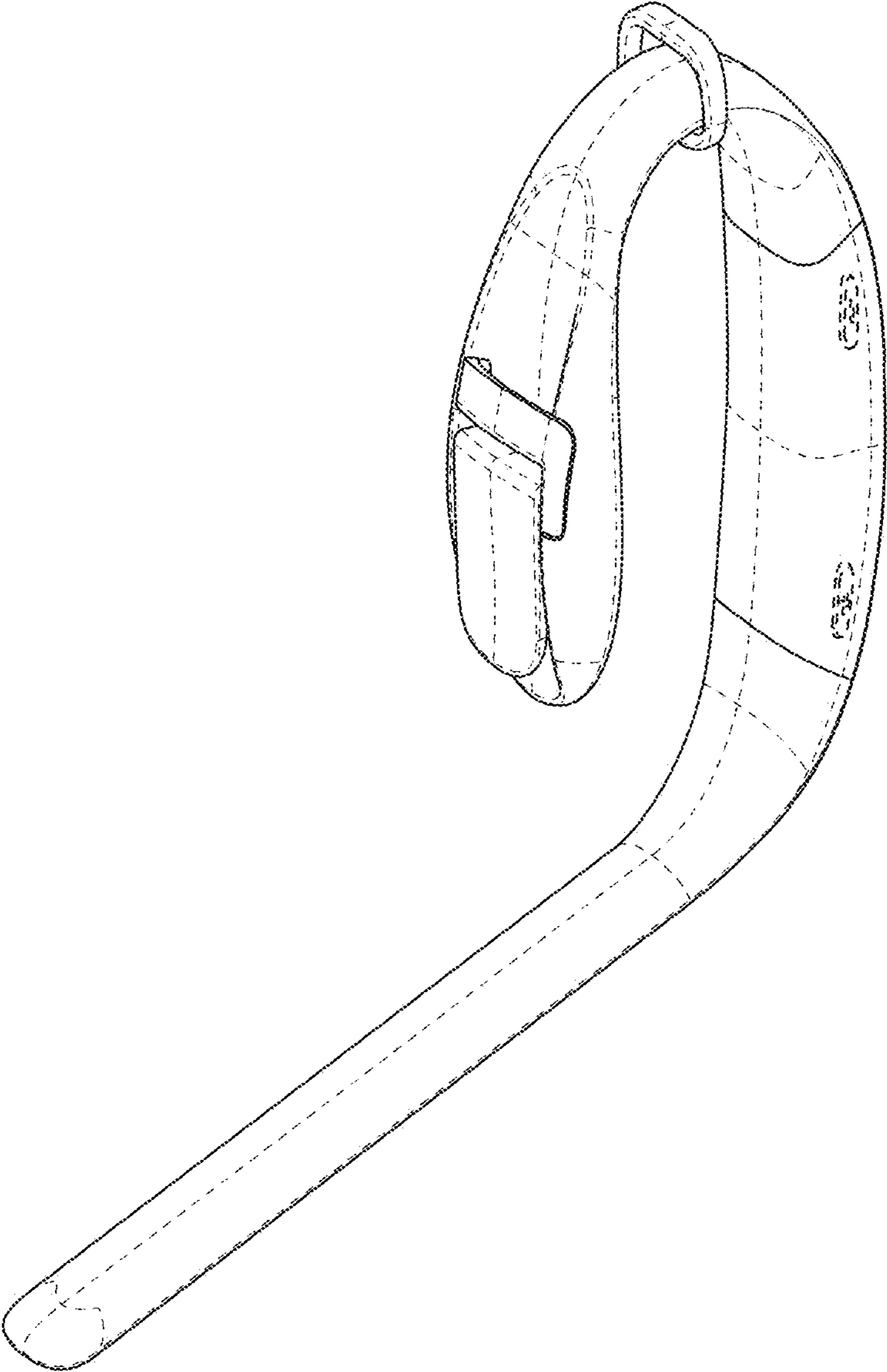


FIG. 2

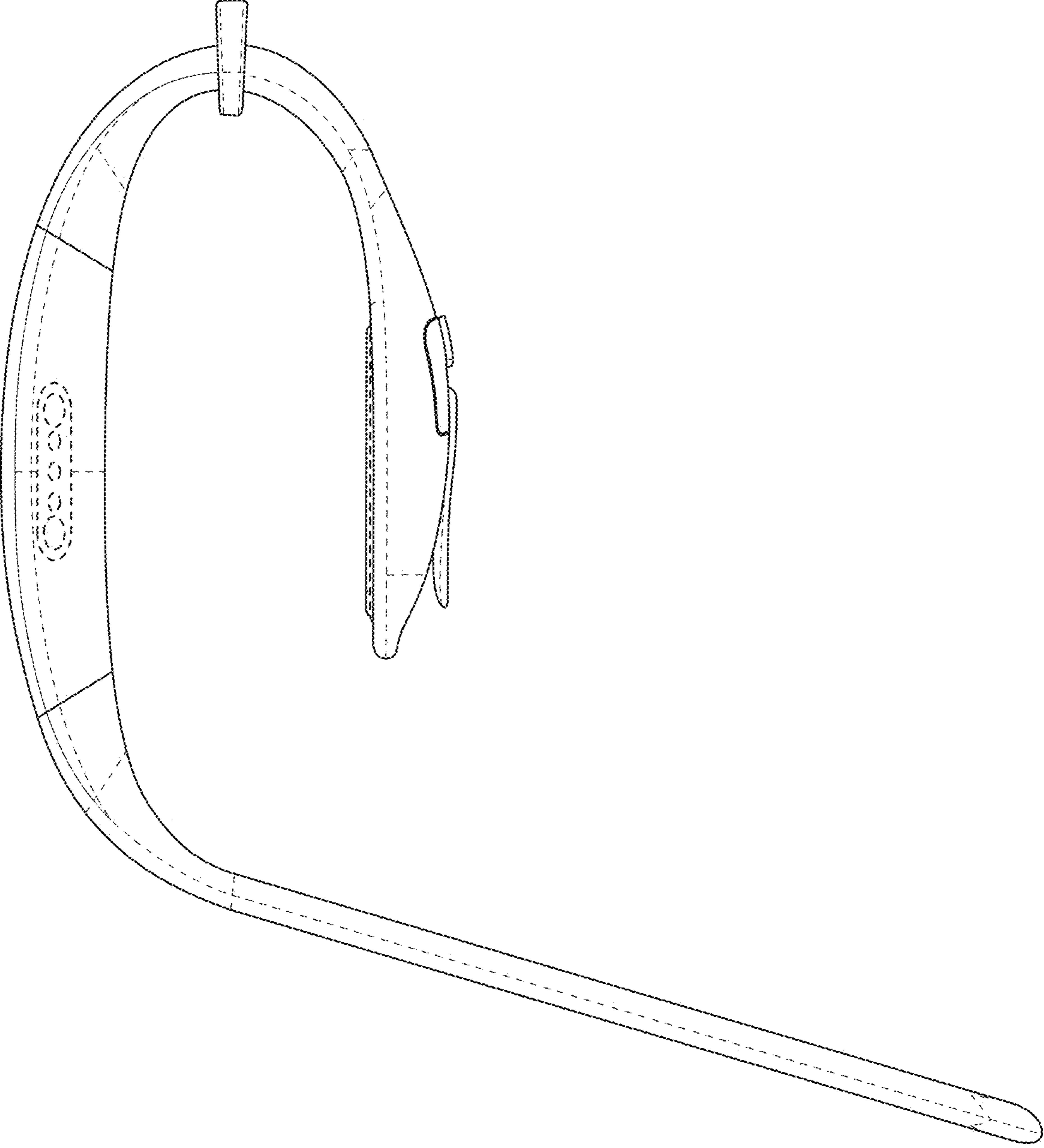


FIG. 3

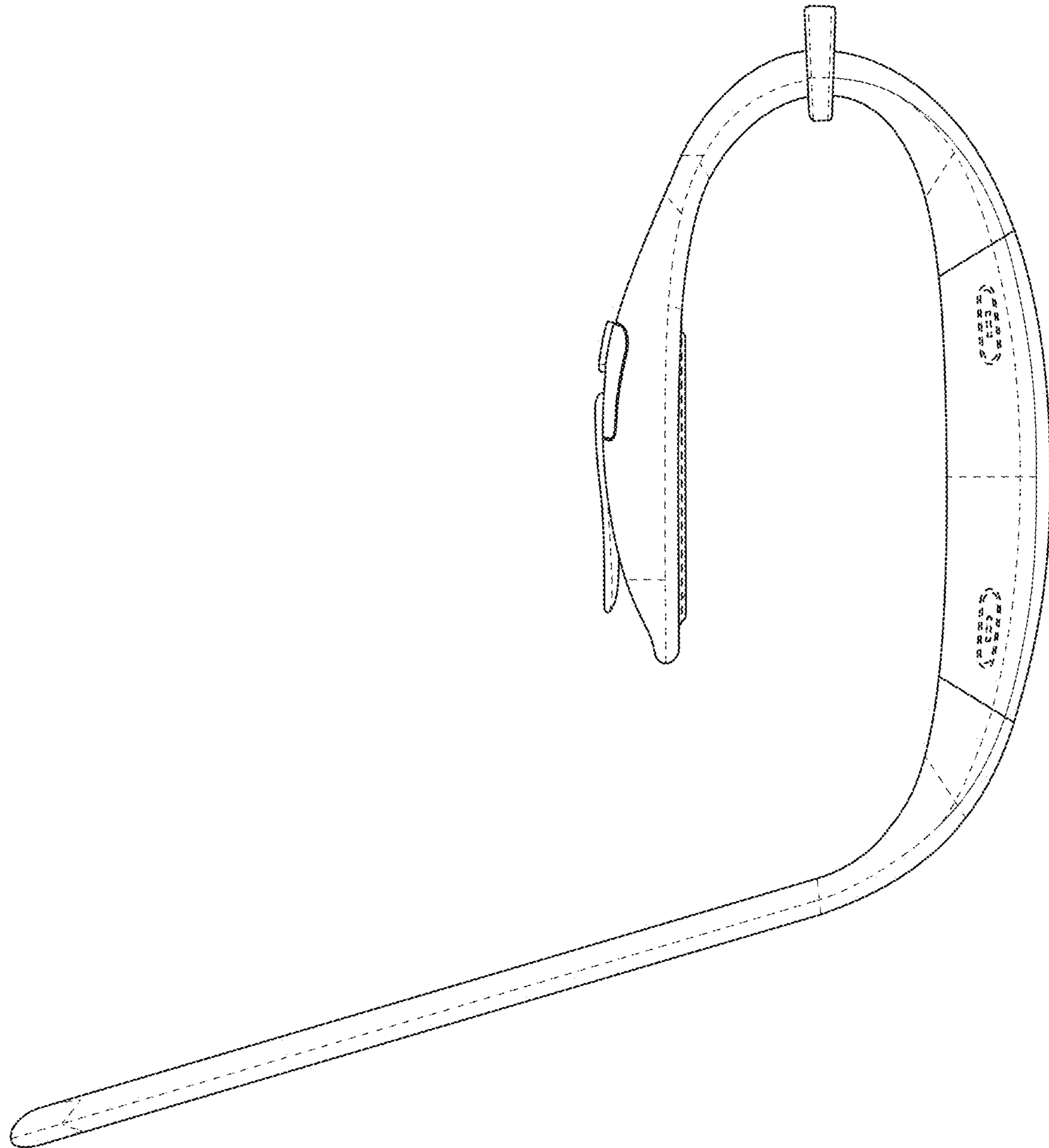


FIG. 4

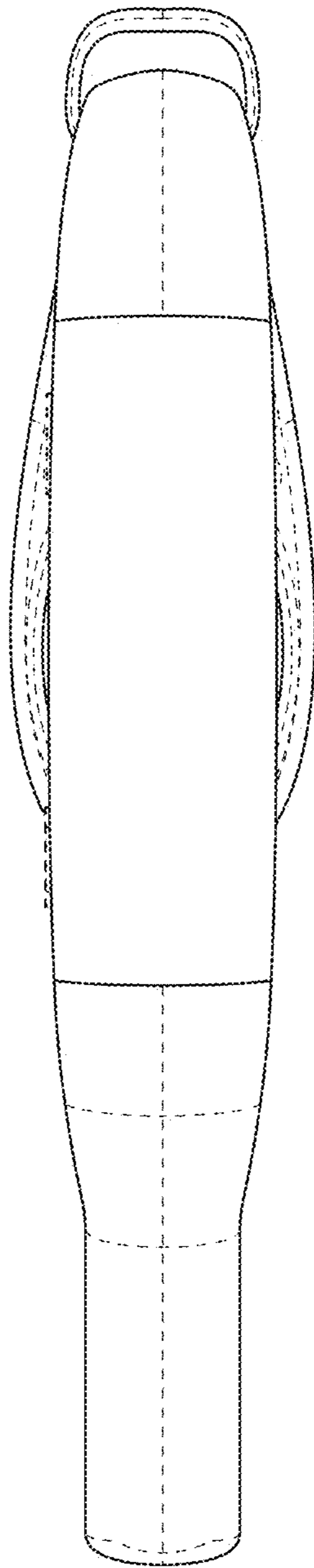


FIG. 5

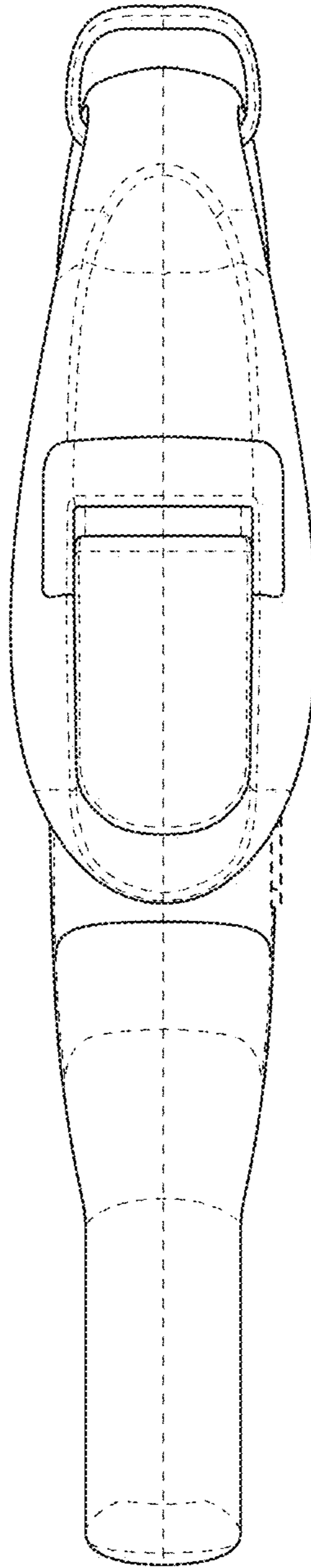


FIG. 6

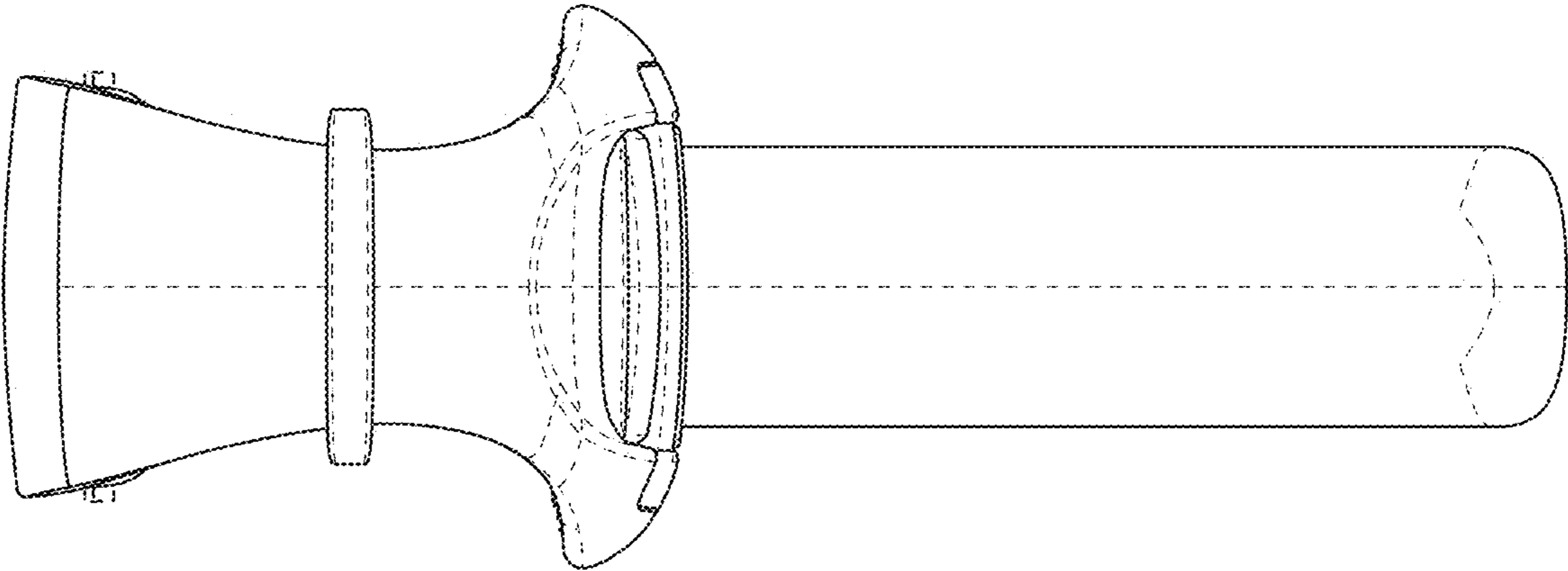


FIG. 7

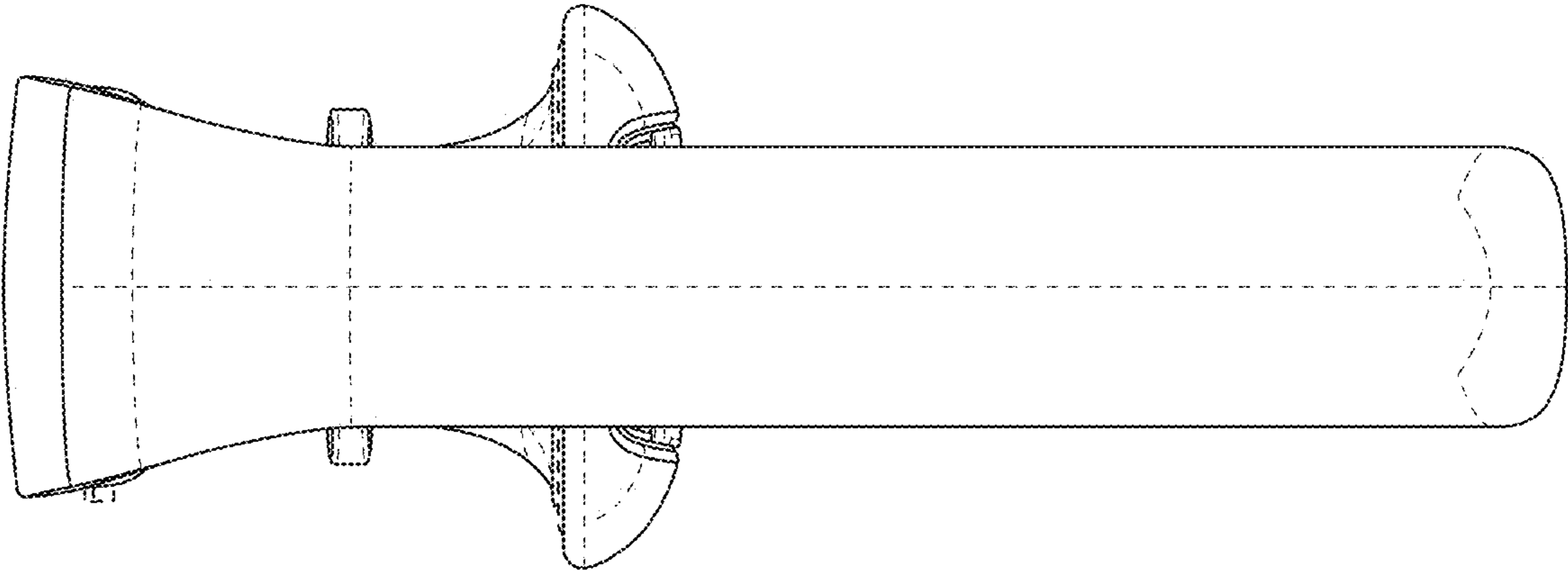


FIG. 8