



US00D978852S

(12) **United States Design Patent**  
**Zou et al.**

(10) **Patent No.:** **US D978,852 S**  
(45) **Date of Patent:** **\*\* Feb. 21, 2023**

(54) **COMBINED MOBILE PHONE CASE AND CARD CASE**

<https://www.amazon.com/KIHUWEY-Compatible-Magnetic-Kickstand-Protective/dp/B09B662X3D/> (Year: 2021).\*

(71) Applicant: **Qi Hu**, Fuzhou (CN)

(Continued)

(72) Inventors: **Kai Zou**, Fuzhou (CN); **Qi Hu**, Fuzhou (CN)

*Primary Examiner* — L. A. Grabenstetter

(74) *Attorney, Agent, or Firm* — Nitin Kaushik

(73) Assignee: **Qi Hu**, Fuzhou (CN)

(\*\*) Term: **15 Years**

(57) **CLAIM**

The ornamental design for a combined mobile phone case and card case, as shown and described.

(21) Appl. No.: **29/860,087**

(22) Filed: **Nov. 16, 2022**

**DESCRIPTION**

(51) **LOC (14) Cl.** ..... **14-03**

(52) **U.S. Cl.**

USPC ..... **D14/250**; D3/218; D3/249

(58) **Field of Classification Search**

USPC ..... D3/201, 218, 247, 249, 269; D13/107, D13/108, 118, 119; D14/217, 248, D14/250–253, 432, 440

CPC ..... H04B 1/3888; H04M 1/0283; H04M 1/0202; A45F 2005/028; A45F 2200/0525

See application file for complete search history.

FIG. 1 is a front perspective view of a combined mobile phone case and card case, showing our new design, shown in a fully open condition;

FIG. 2 is a rear perspective view thereof;

FIG. 3 is a front view thereof;

FIG. 4 is a rear view thereof;

FIG. 5 is a left side view thereof;

FIG. 6 is a right side view thereof;

FIG. 7 is a top view thereof;

FIG. 8 is a bottom view thereof;

FIG. 9 is a partial enlargement of the region in rectangle 9 in FIG. 1;

FIG. 10 is a partial enlargement of the region in rectangle 10 in FIG. 2;

FIG. 11 is a rear perspective view shown in a fully folded condition; and,

FIG. 12 is a rear perspective view shown in a partially open condition.

The dash-dash broken lines in the drawings illustrate portions of the combined mobile phone case and card case, which form no part of the claimed design. The dot-dash broken line rectangles in FIGS. 1, 2, 9, and 10 are included for the purpose of illustrating the partial enlargements and form no part of the claimed design.

(56) **References Cited**

**U.S. PATENT DOCUMENTS**

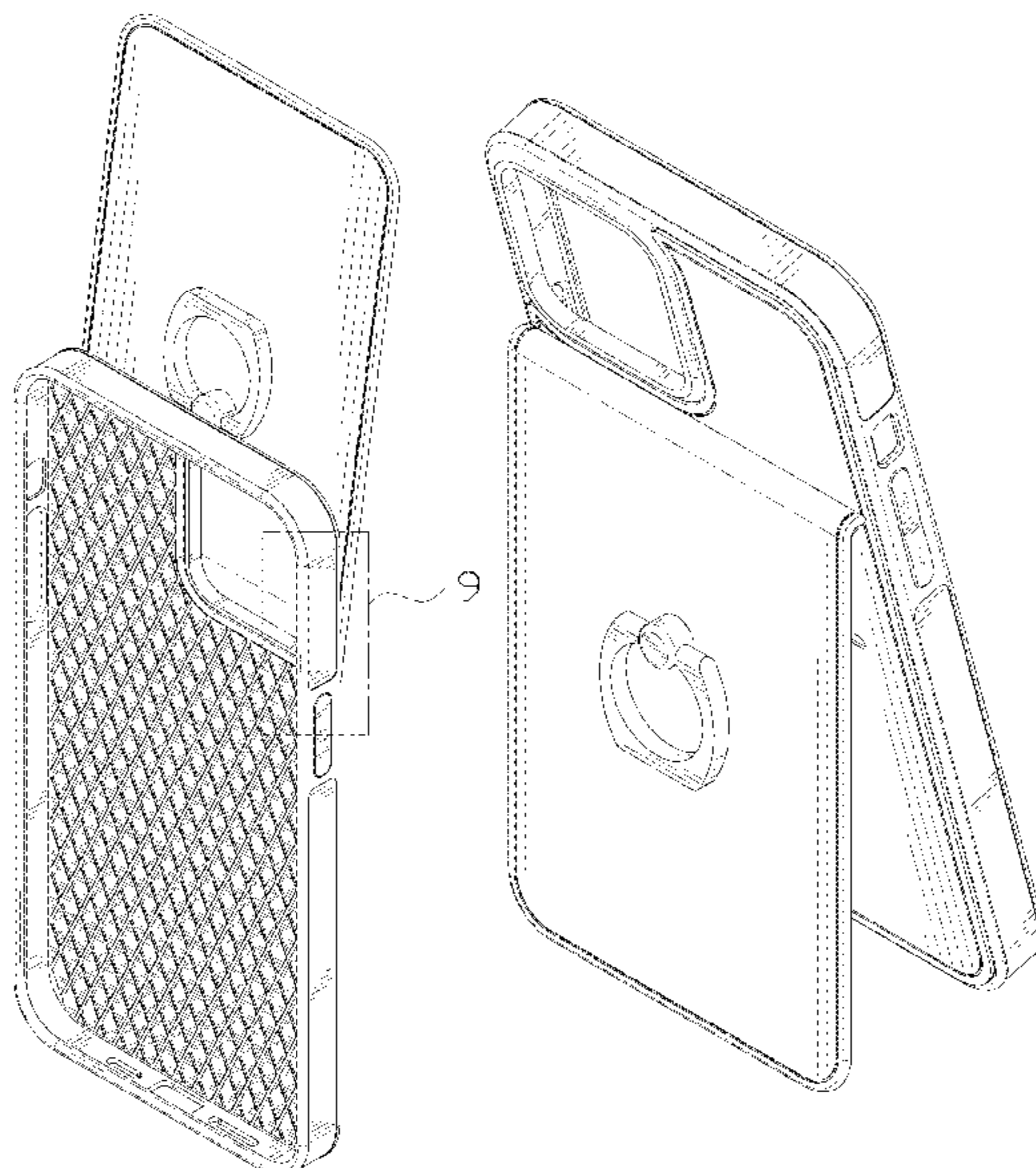
D688,655 S *	8/2013	Rey-Hipolito	.....	D14/250
D716,045 S *	10/2014	Requa	.....	D3/249
D815,086 S *	4/2018	Jeon	.....	D14/251
D851,921 S *	6/2019	Goetz	.....	D3/218
D858,504 S *	9/2019	Gellner	.....	D14/250
D858,507 S *	9/2019	Jang	.....	D14/251
D862,081 S *	10/2019	Lange	.....	D3/249
D874,454 S *	2/2020	Lederer	.....	D14/251
D878,751 S *	3/2020	DeChant	.....	D3/247

(Continued)

**OTHER PUBLICATIONS**

KIHUWEY Compatible with iPhone 13 Pro Max Case Wallet with Credit Card Holder, publication date Sep. 14, 2021, [online] URL:

**1 Claim, 12 Drawing Sheets**



(56)

**References Cited**

U.S. PATENT DOCUMENTS

D883,973 S 5/2020 Lu  
10,916,954 B1 \* 2/2021 Sheriff ..... G06F 1/1635  
D917,442 S \* 4/2021 Feng ..... D3/249  
11,039,679 B2 \* 6/2021 Jang ..... A45C 11/00  
2014/0262853 A1 \* 9/2014 DeChant ..... A45C 1/06  
150/132  
2016/0039357 A1 \* 2/2016 Jang ..... F16M 13/00  
224/567

OTHER PUBLICATIONS

LAMEEKU Wallet Case for Apple iPhone XR, publication date  
Sep. 19, 2018, [online] URL: <https://www.amazon.com/LAMEEKU-iPhone-XR-Shockproof-6-1/dp/B07HH1BJKY> (Year: 2018).\*

\* cited by examiner

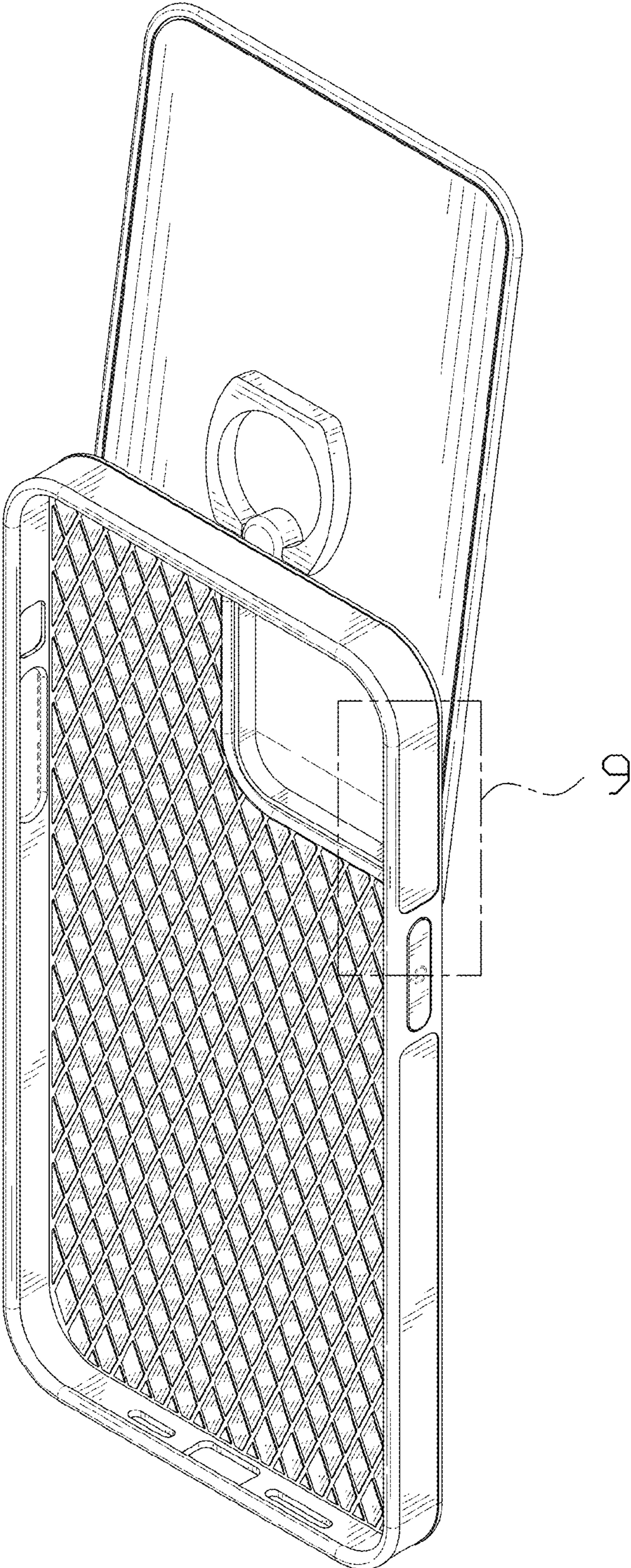


FIG. 1

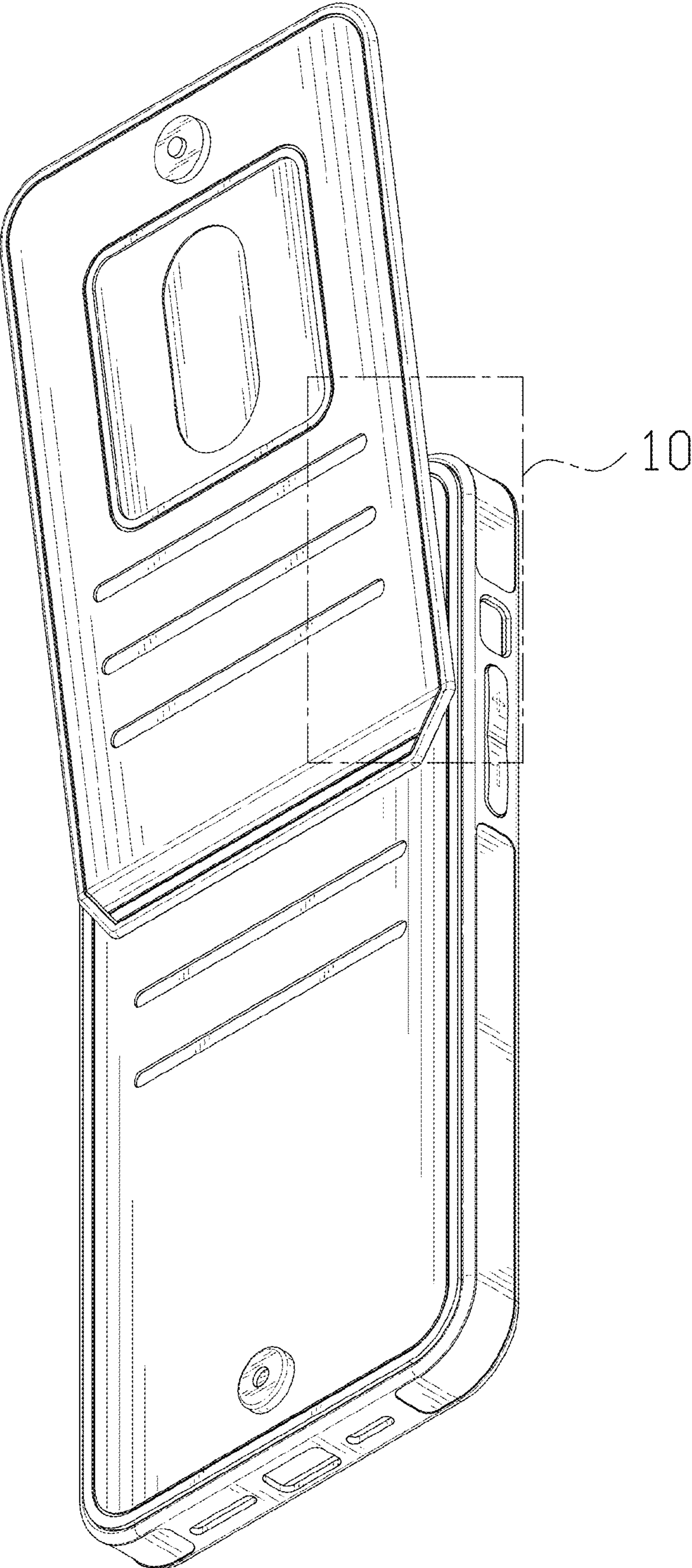


FIG. 2

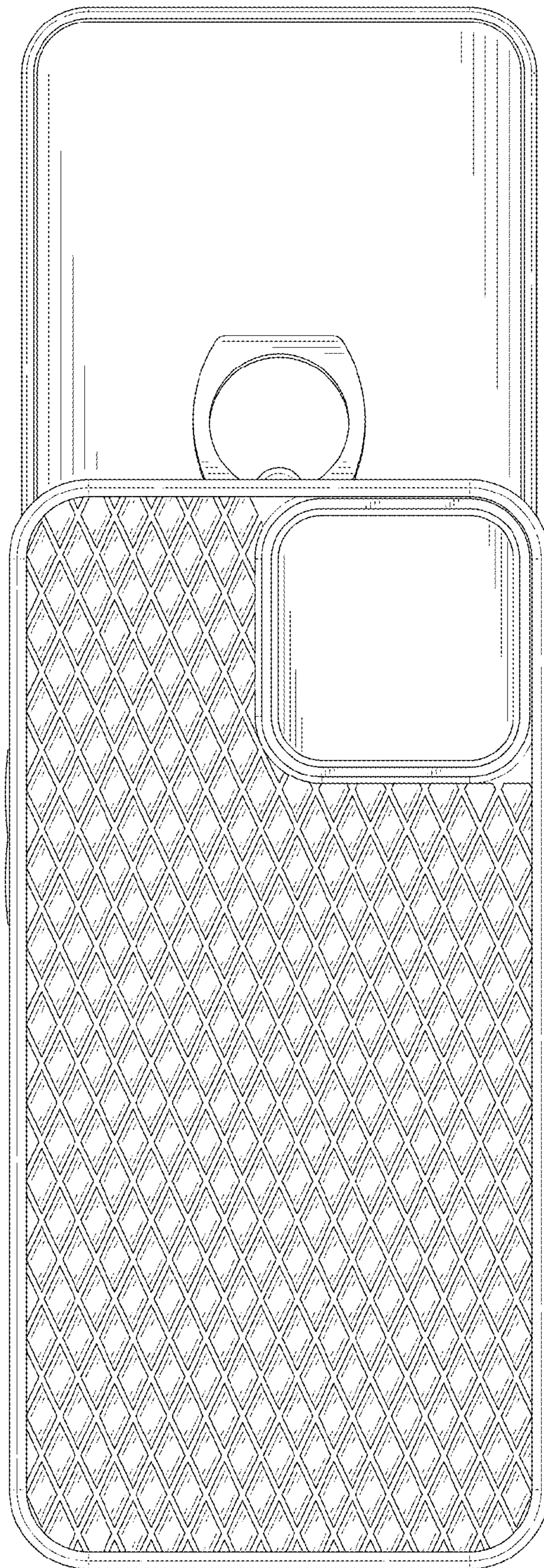


FIG. 3

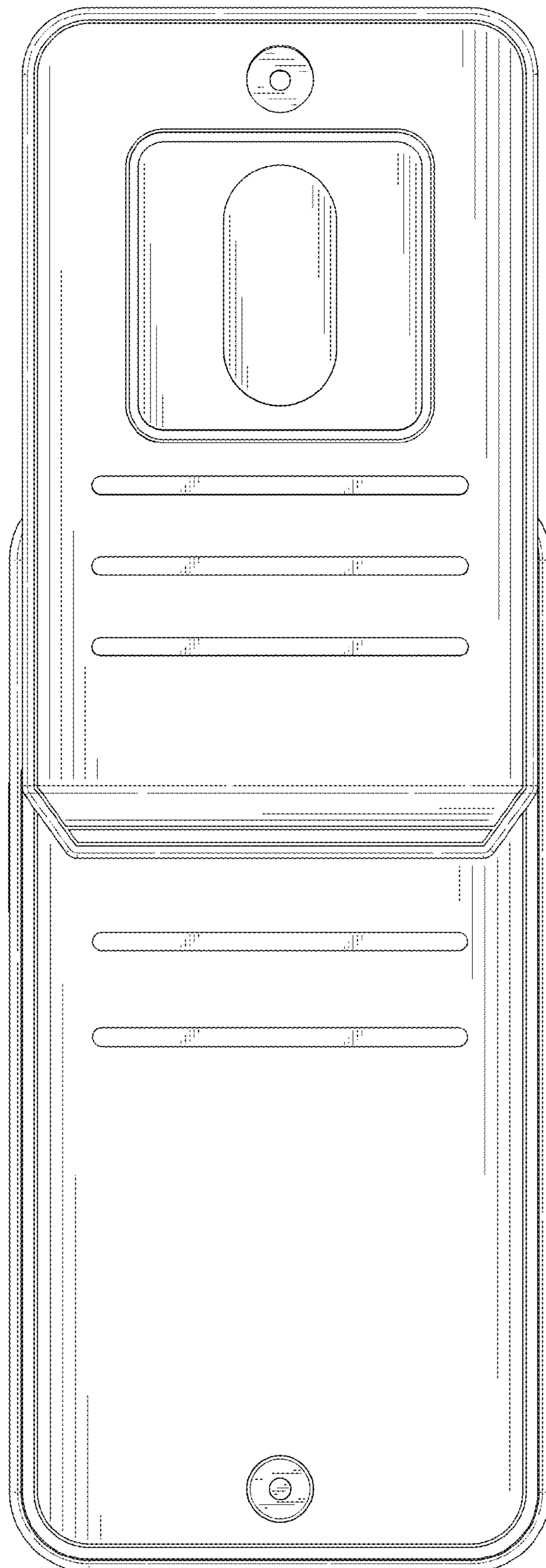


FIG. 4

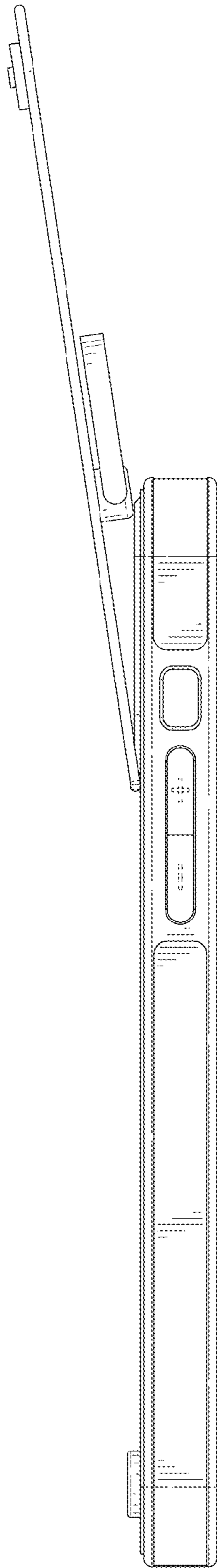


FIG. 5

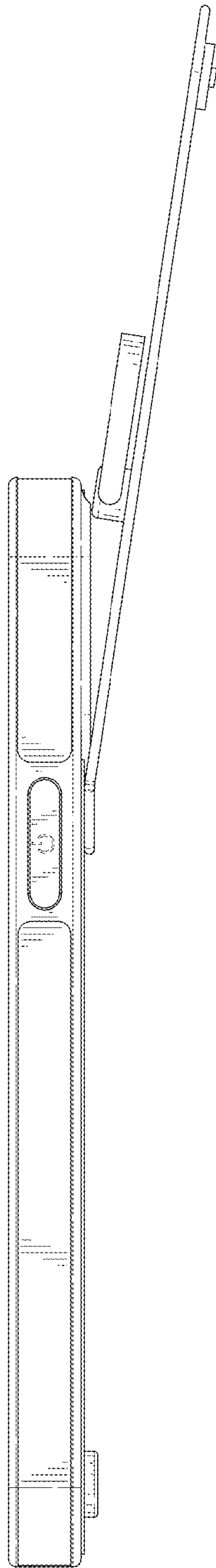


FIG. 6



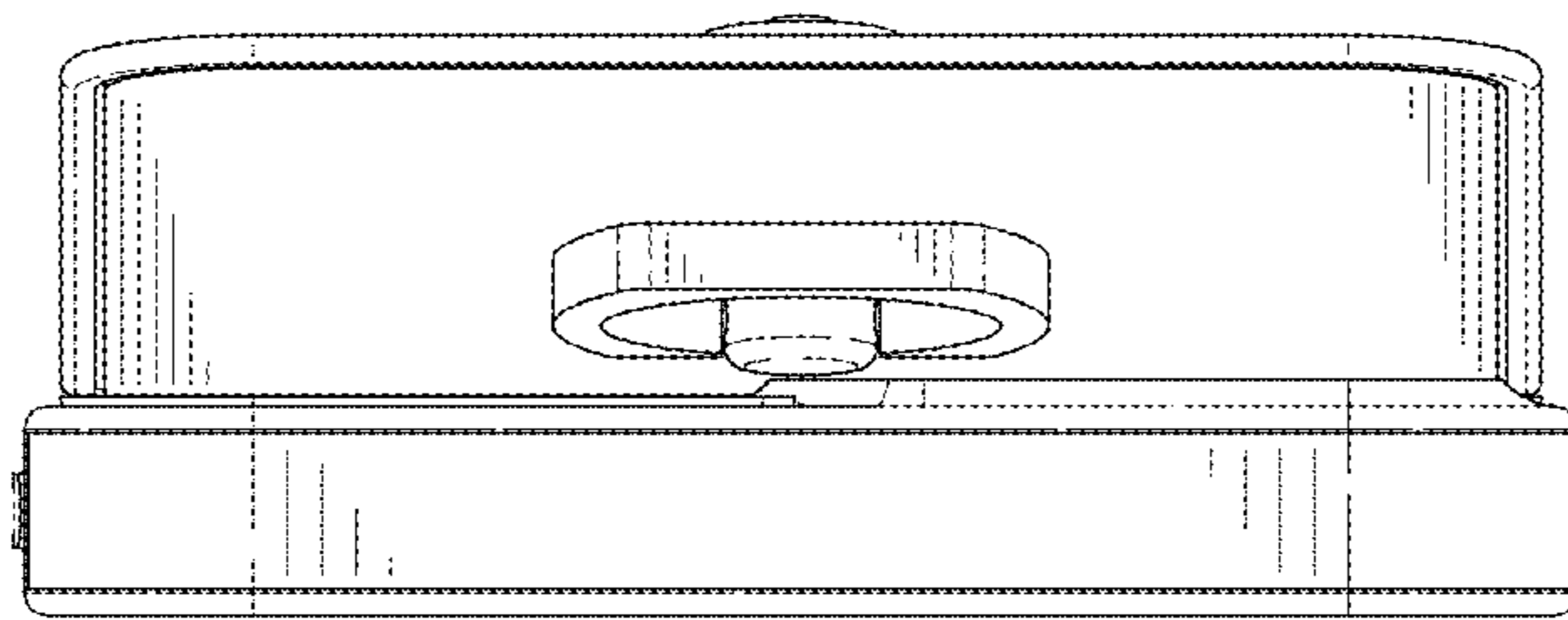


FIG. 7

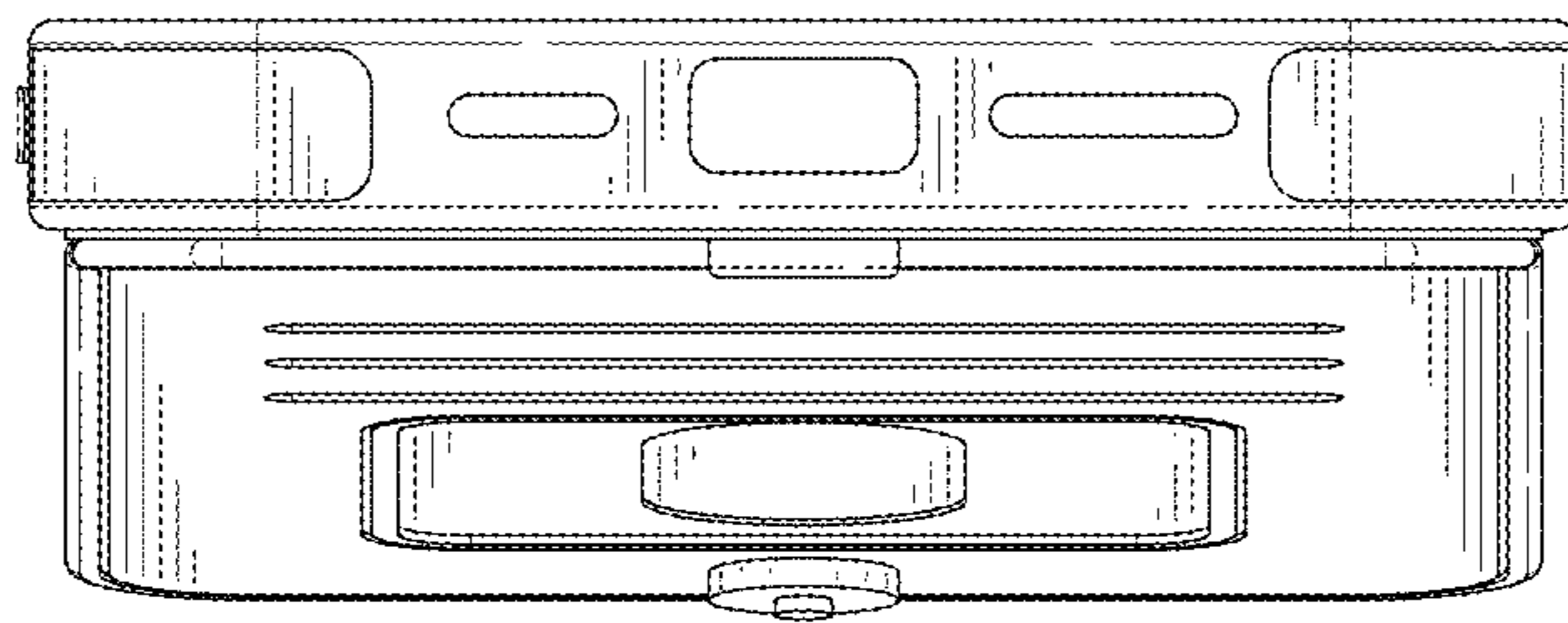


FIG. 8

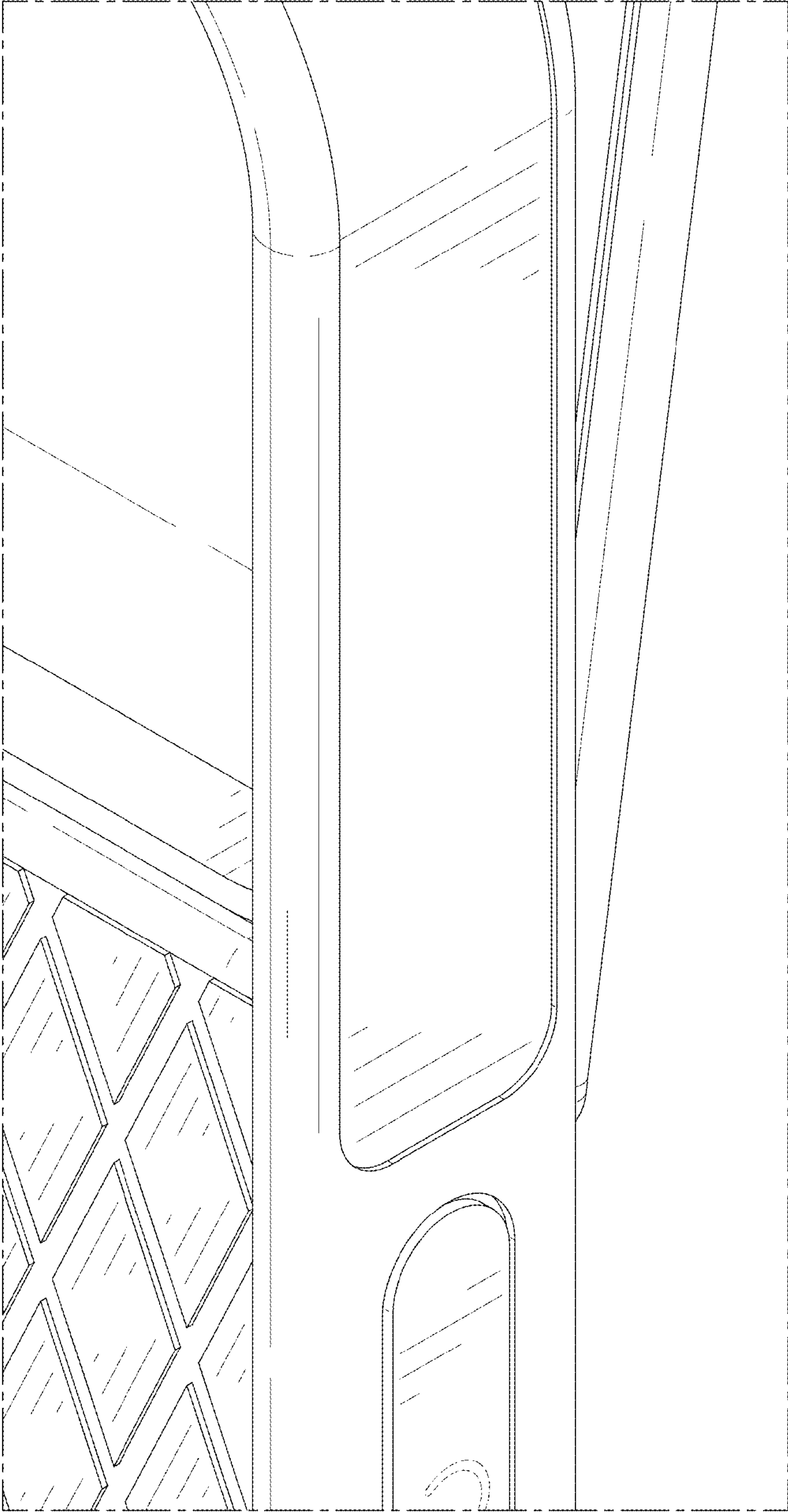


FIG. 9

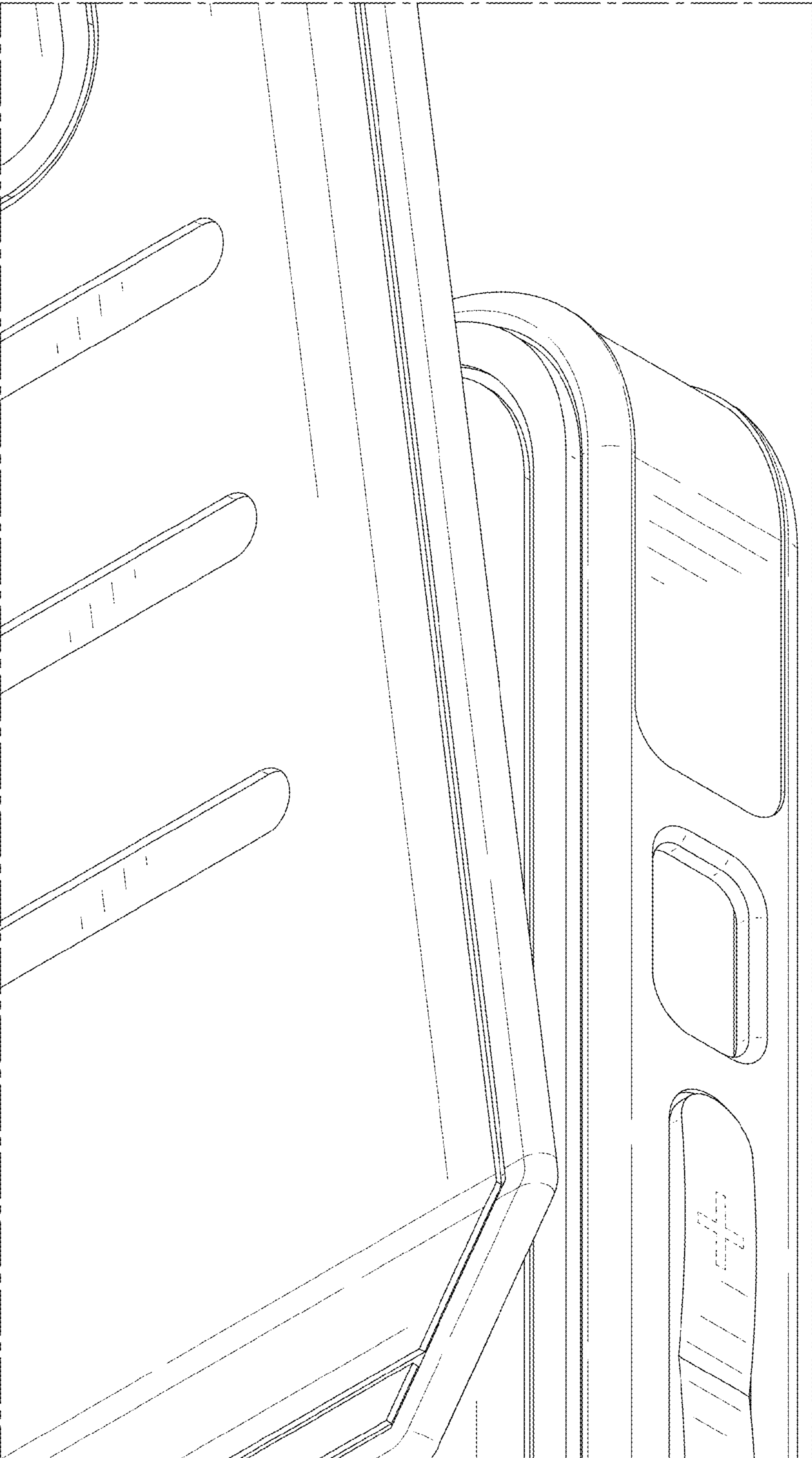


FIG. 10

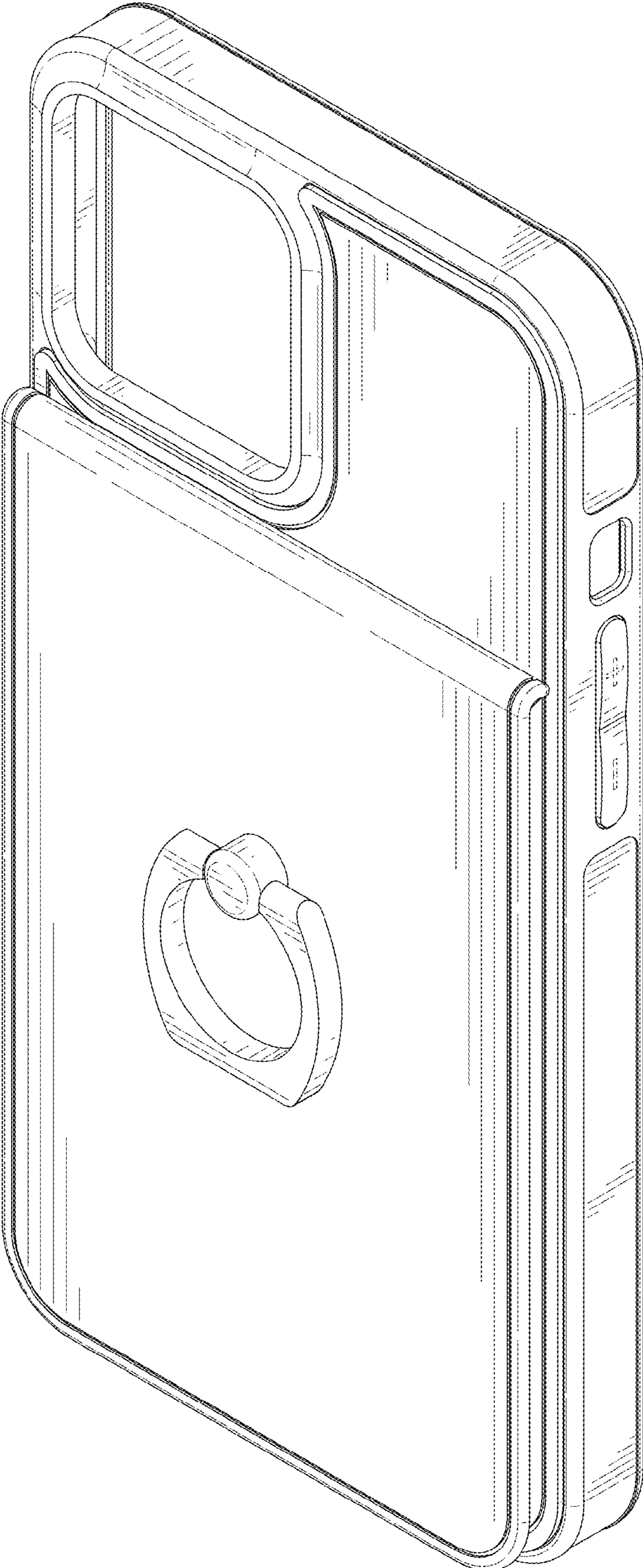


FIG. 11

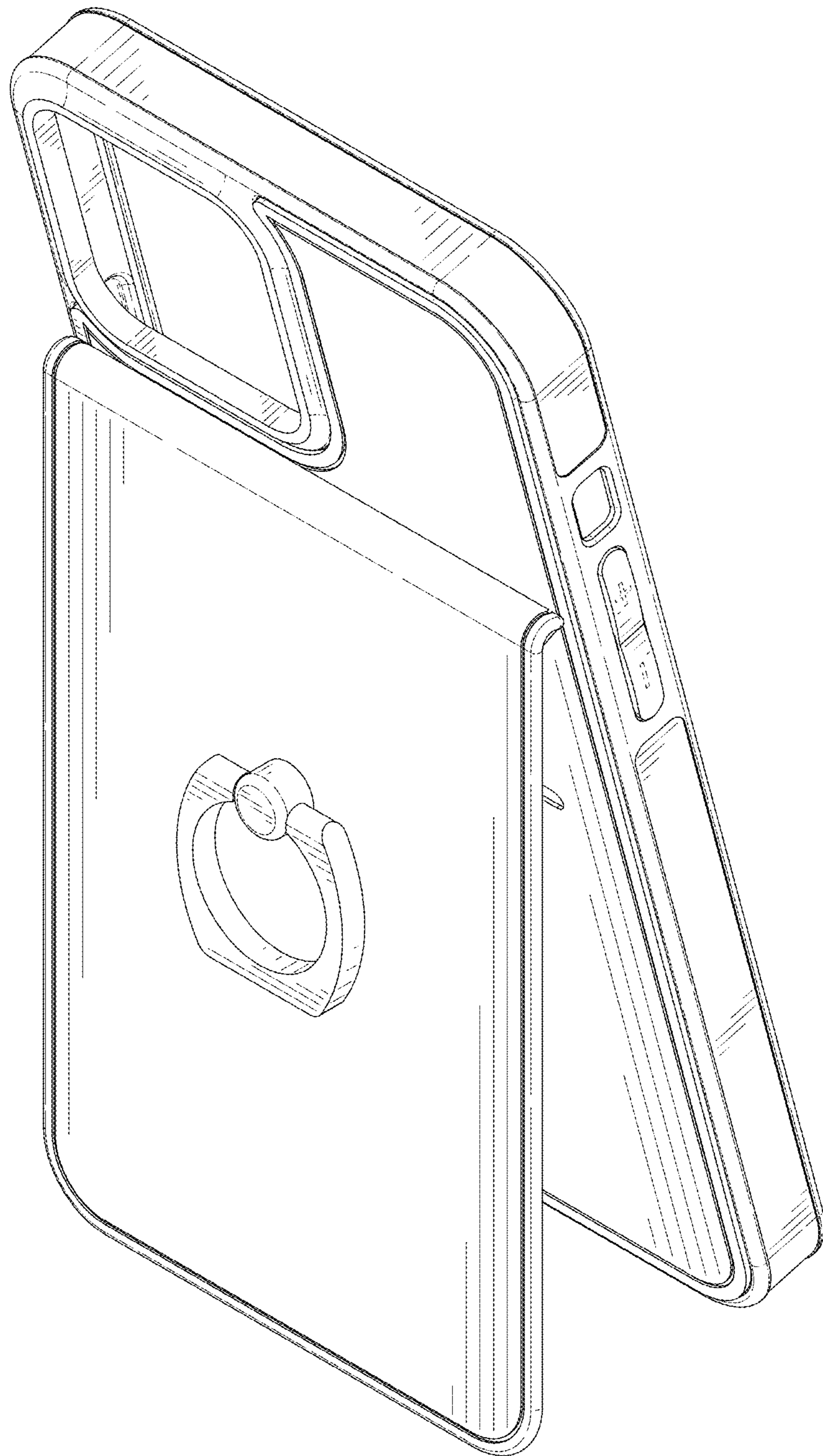


FIG. 12