

US00D978851S

(12) **United States Design Patent**
Dunn

(10) **Patent No.:** **US D978,851 S**
(45) **Date of Patent:** **** Feb. 21, 2023**

(54) **SMARTPHONE CASE**

DESCRIPTION

(71) Applicant: **SLYDE CASES LLC**, Saratoga Springs, UT (US)
(72) Inventor: **Robert Dunn**, Saratoga Springs, UT (US)
(**) Term: **15 Years**
(21) Appl. No.: **29/674,929**
(22) Filed: **Dec. 27, 2018**
(51) **LOC (14) Cl.** **14-03**
(52) **U.S. Cl.**
USPC **D14/250**
(58) **Field of Classification Search**
USPC D3/201, 218; D13/103, 107, 108, 119;
D14/217, 248, 250–253, 432, 434, 440,
D14/441, 447

FIG. 1 illustrates a top, front, right perspective view of a first embodiment of a smartphone case showing my new design, shown in an assembled state;
FIG. 2 illustrates a top, front, right perspective view of the smartphone case incorporating the first embodiment of the new design, the smartphone case illustrated in an exploded view;
FIG. 3 illustrates a front plan view thereof;
FIG. 4 illustrates a rear plan view thereof;
FIG. 5 illustrates a left side elevation view thereof;
FIG. 6 illustrates a right side elevation view thereof;
FIG. 7 illustrates a bottom elevation view thereof;
FIG. 8 illustrates a top elevation view thereof;
FIG. 9 illustrates a top, front, right perspective view of a second embodiment of a smartphone case showing my new design, shown in an assembled state;
FIG. 10 illustrates a top, front, right perspective view of the smartphone case incorporating the second embodiment of the new design, the smartphone case illustrated in an exploded view;
FIG. 11 illustrates a front plan view thereof;
FIG. 12 illustrates a rear plan view thereof;
FIG. 13 illustrates a left side elevation view thereof;
FIG. 14 illustrates a right side elevation view thereof;
FIG. 15 illustrates a bottom elevation view thereof;
FIG. 16 illustrates a top elevation view thereof
FIG. 17 illustrates a top, front, right perspective view of a third embodiment of a smartphone case showing my new design, shown in an assembled state;
FIG. 18 illustrates a top, front, right perspective view of the smartphone case incorporating the third embodiment of the new design, the smartphone case illustrated in an exploded view;
FIG. 19 illustrates a front plan view thereof;
FIG. 20 illustrates a rear plan view thereof;
FIG. 21 illustrates a left side elevation view thereof;
FIG. 22 illustrates a right side elevation view thereof;
FIG. 23 illustrates a bottom elevation view thereof; and,
FIG. 24 illustrates a top elevation view thereof.
In the drawings, the brackets are for the purpose of illustrating an exploded view of components incorporating the new design and therefore form no part of the claimed design.

(Continued)

(56) **References Cited**

U.S. PATENT DOCUMENTS

D676,432 S * 2/2013 Hasbrook D14/250
8,517,172 B1 * 8/2013 Chang G06F 1/1626
206/320

(Continued)

OTHER PUBLICATIONS

Slider—Just slide it! Best iPhone case by DesignSkin, publication date Jan. 15, 2017, [online] URL: https://www.youtube.com/watch?v=F5JxaovJk_s (Year: 2017).*

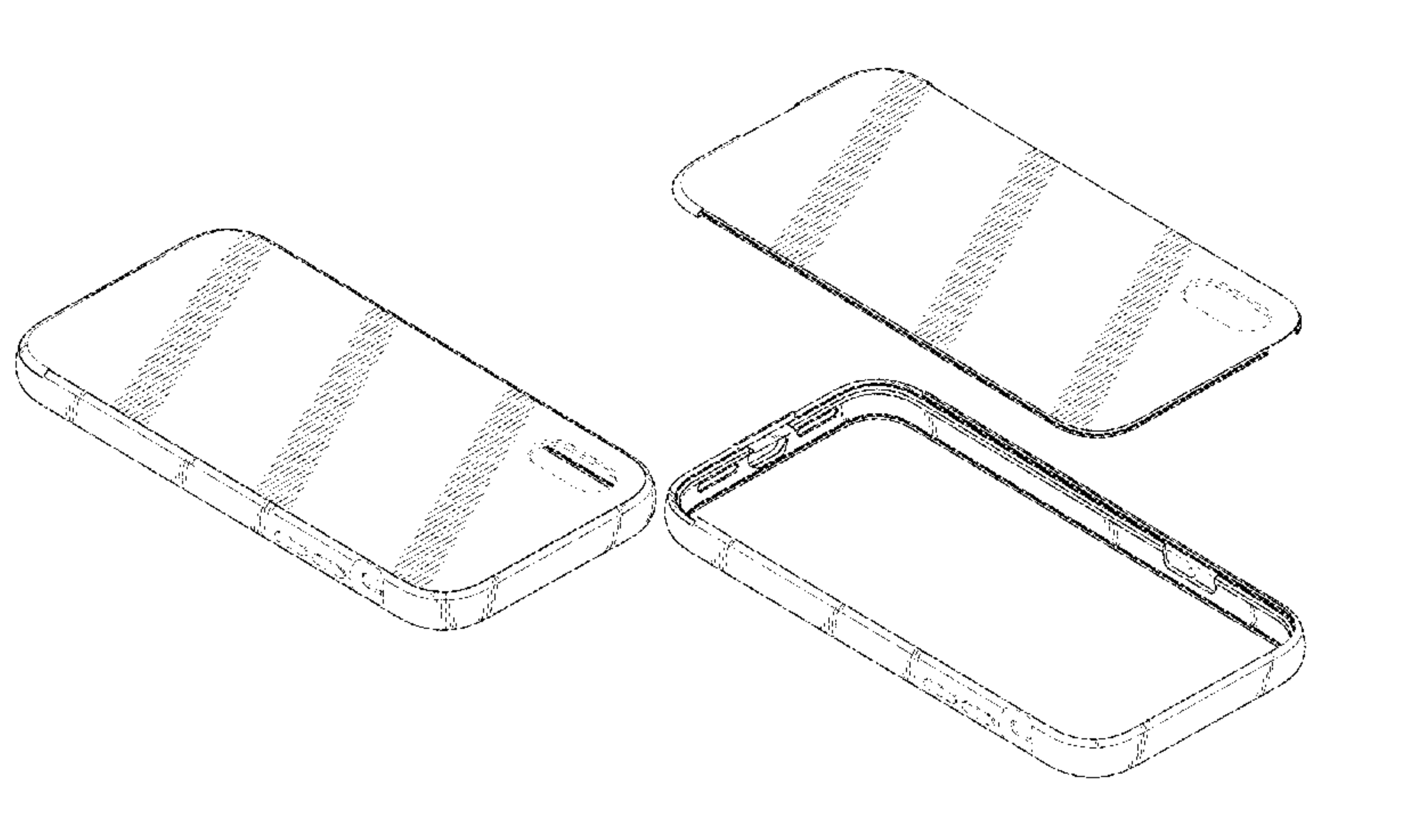
(Continued)

Primary Examiner — L. A. Grabenstetter
(74) *Attorney, Agent, or Firm* — Workman Nydegger; Logan Christenson; John Guynn

(57) **CLAIM**

The ornamental design for a smartphone case, as shown and described.

(Continued)



Regarding FIGS. 3, 4, 11, 12, 19, and 20, the components of the smartphone case are shown in the exploded view offset and aligned in the same plane for ease of illustrating the claimed design. The broken lines, and unshaded region surrounded by broken lines, represent portions of the smartphone case that form no part of the claimed design.

1 Claim, 15 Drawing Sheets

(58) **Field of Classification Search**

CPC H04B 1/3888; H04M 1/0283; H04M 1/0202; A45F 2005/028; A45F 2200/0525

See application file for complete search history.

(56)

References Cited

U.S. PATENT DOCUMENTS

D726,702 S *	4/2015	Umlauf	D14/250
D744,995 S *	12/2015	Lerenthal	D14/250
D746,805 S *	1/2016	Kim	D14/250
D756,977 S *	5/2016	Schriefer	D14/250

D761,239 S *	7/2016	Kim	D14/250
D772,855 S *	11/2016	Ju	D14/250
D808,376 S *	1/2018	Kim	D14/250
D813,220 S *	3/2018	Wright	D14/250
D838,264 S *	1/2019	Wright	D14/250
D842,288 S *	3/2019	Hori	D14/250
D845,939 S *	4/2019	Igarashi	D14/250
D856,996 S *	8/2019	Kim	D14/250
D860,183 S *	9/2019	Hyun	D14/250
D868,766 S *	12/2019	Kim	D14/250
10,542,804 B1 *	1/2020	Wang	H04B 1/3888
D898,720 S *	10/2020	Lee	D14/250
D902,913 S *	11/2020	Lee	D14/250
D915,377 S *	4/2021	Kim	D14/250
2015/0194994 A1 *	7/2015	Soriano	H04B 1/3888 455/575.8

OTHER PUBLICATIONS

Goosperry Sliding Protective Case for iPhone, publication date Oct. 28, 2018, [online] URL: <https://www.amazon.com/GOOSPERY-iPhone-Sliding-Protective-IP9-SKY-RED/dp/B07JZ4KC7F> (Year: 2018).*

* cited by examiner

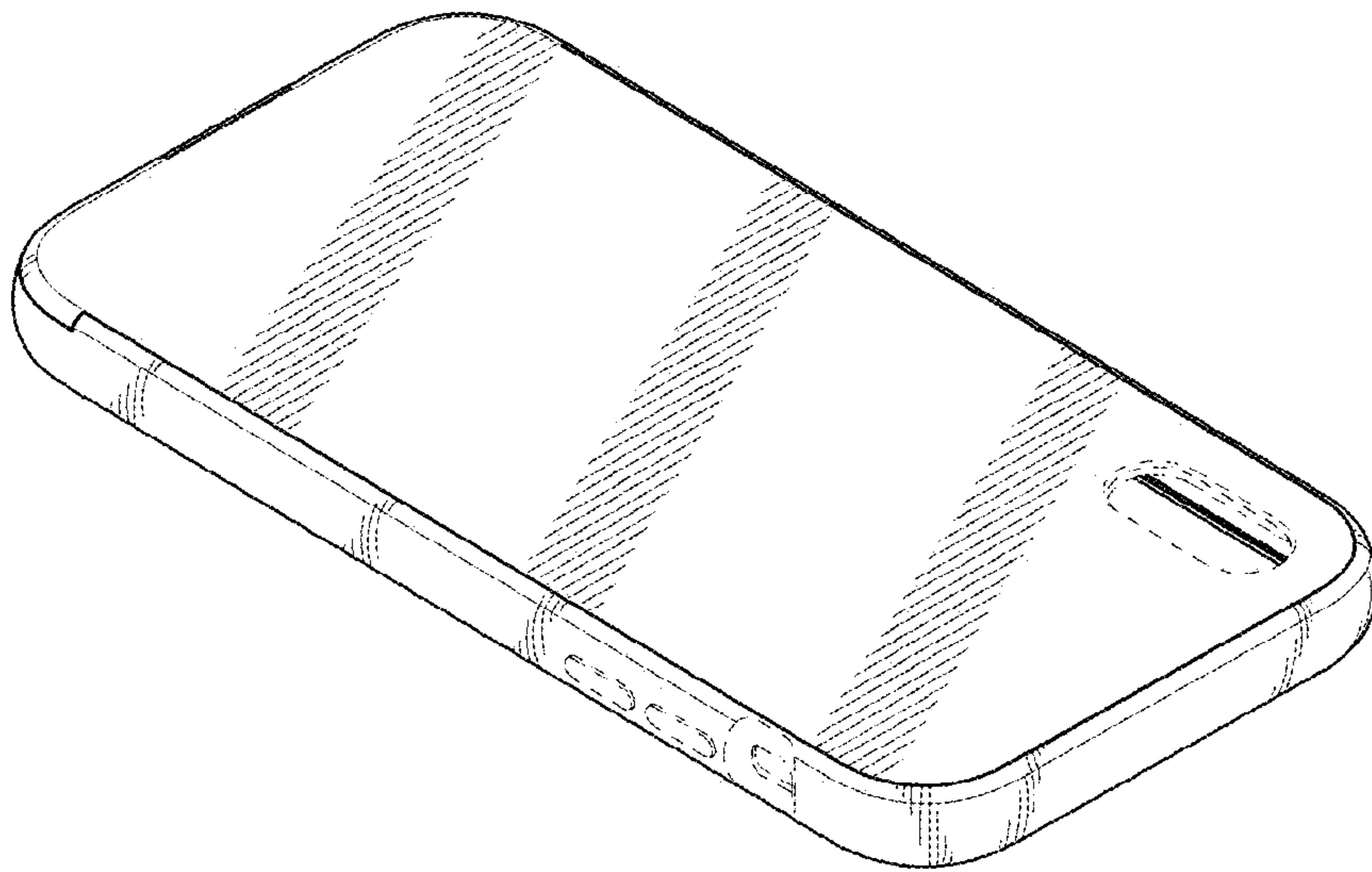


FIG. 1



FIG. 2



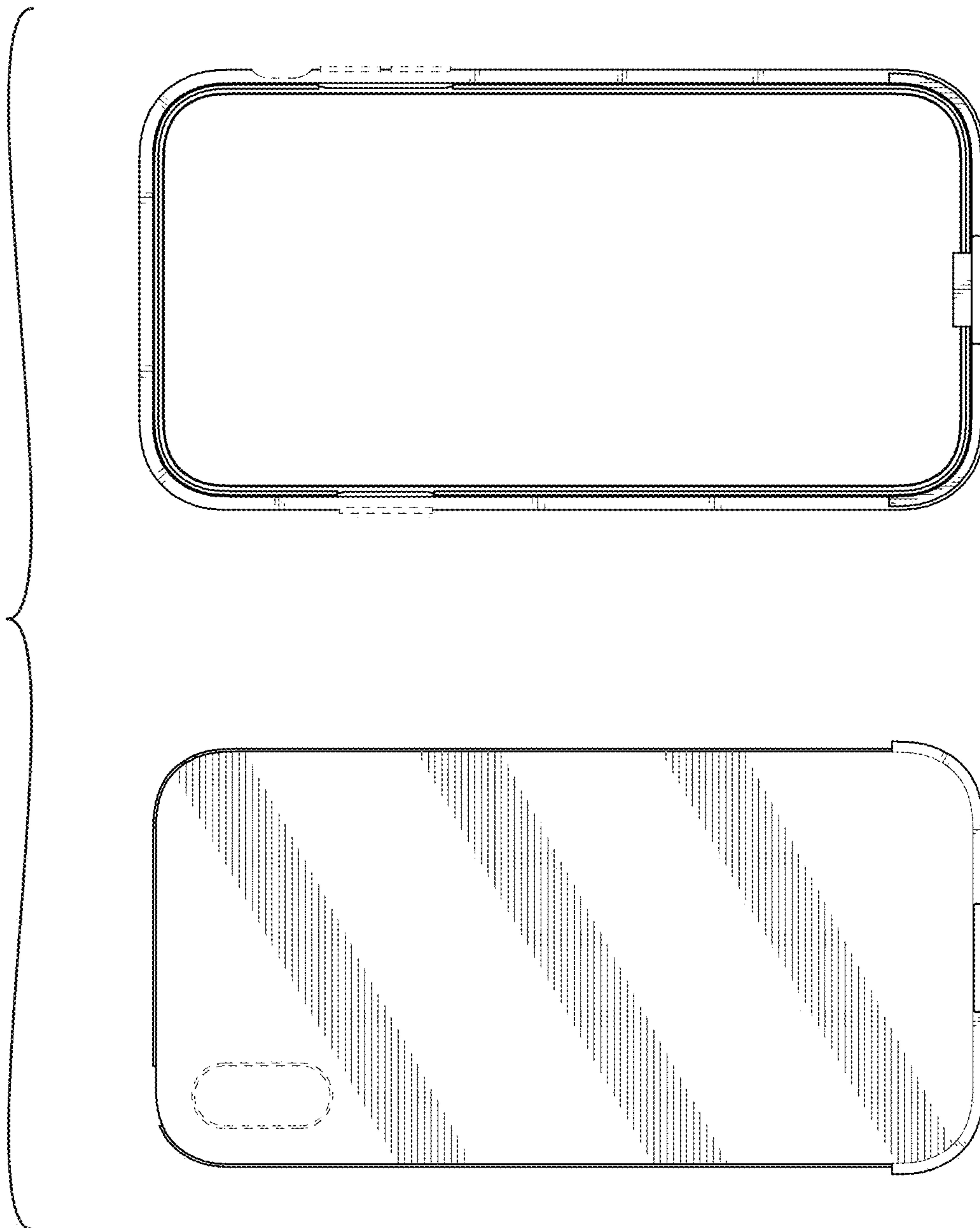


FIG. 3

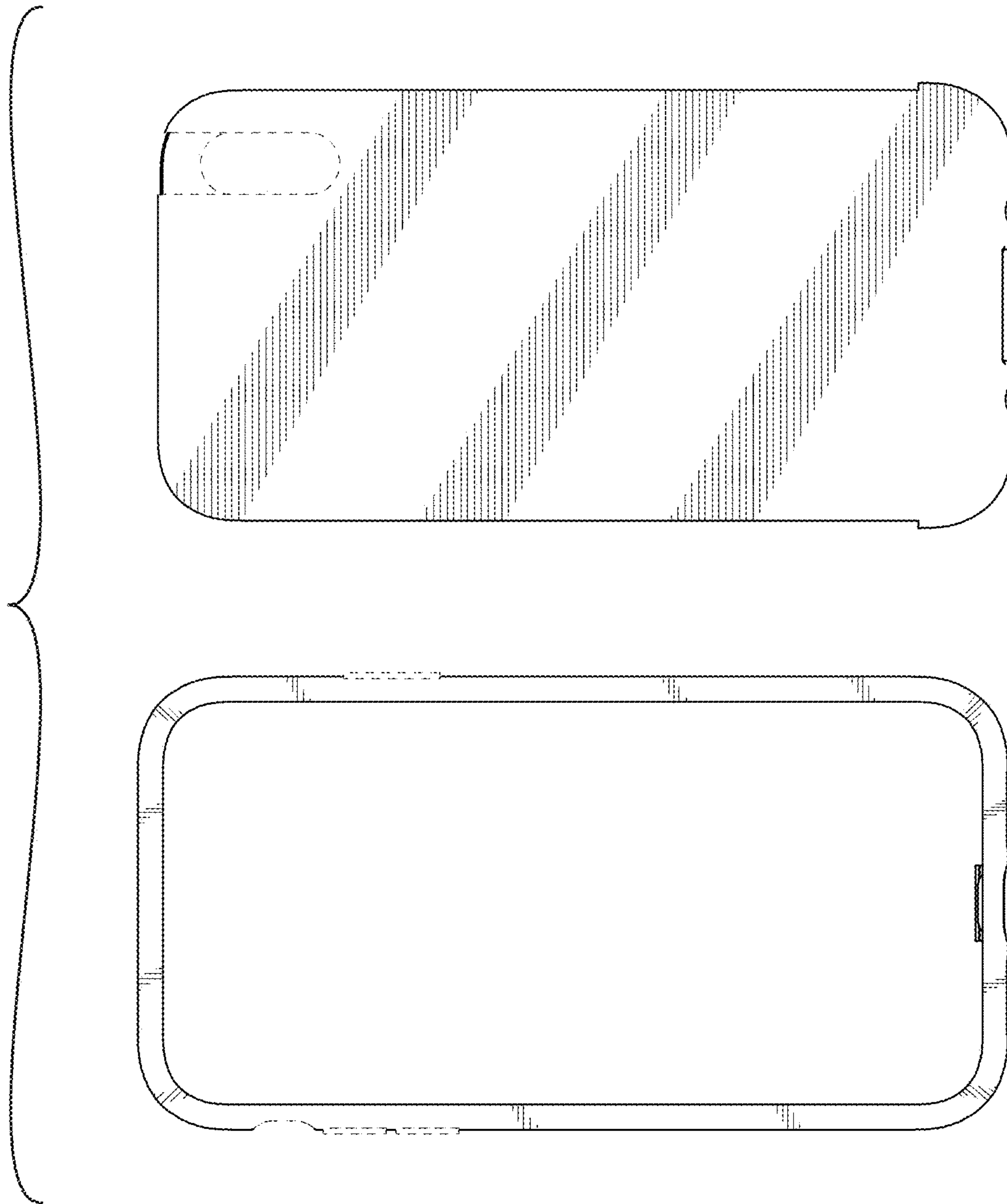


FIG. 4

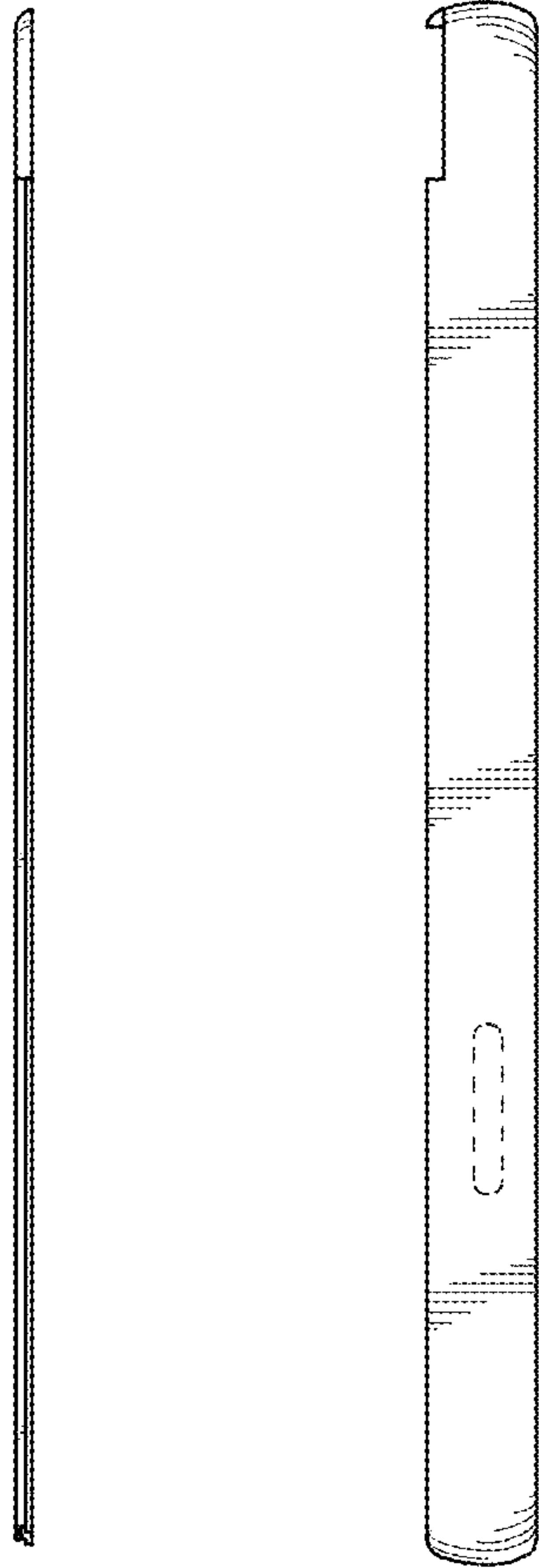


FIG. 5

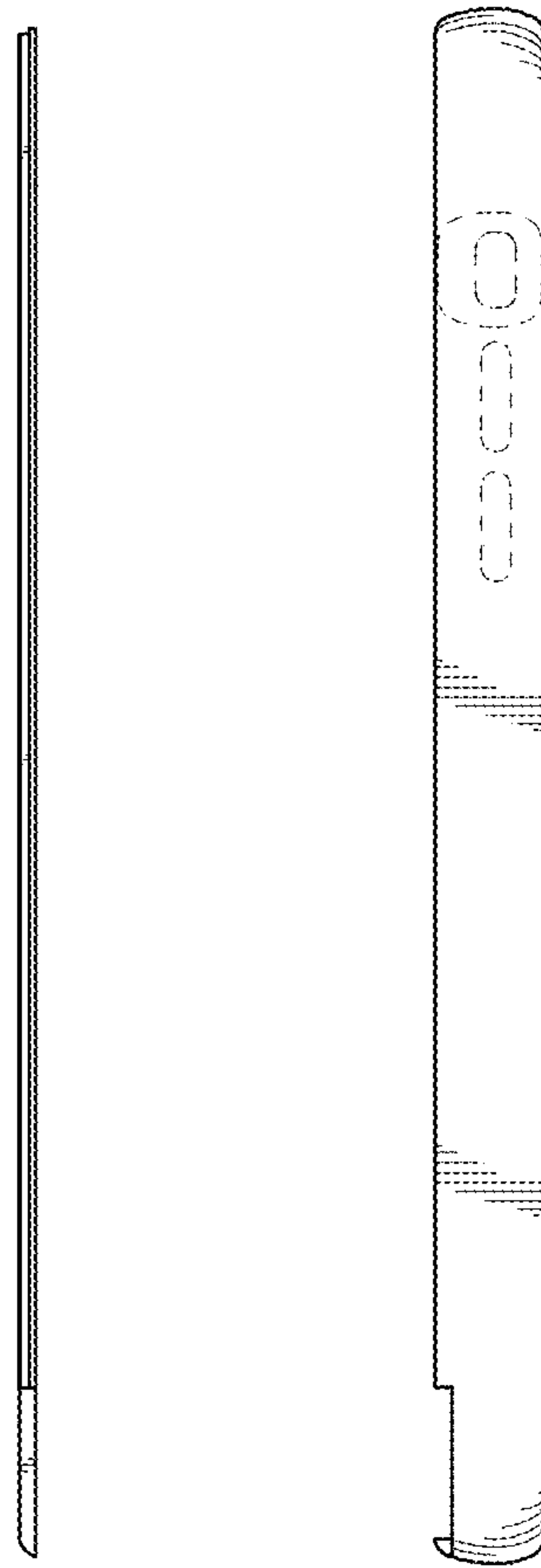


FIG. 6

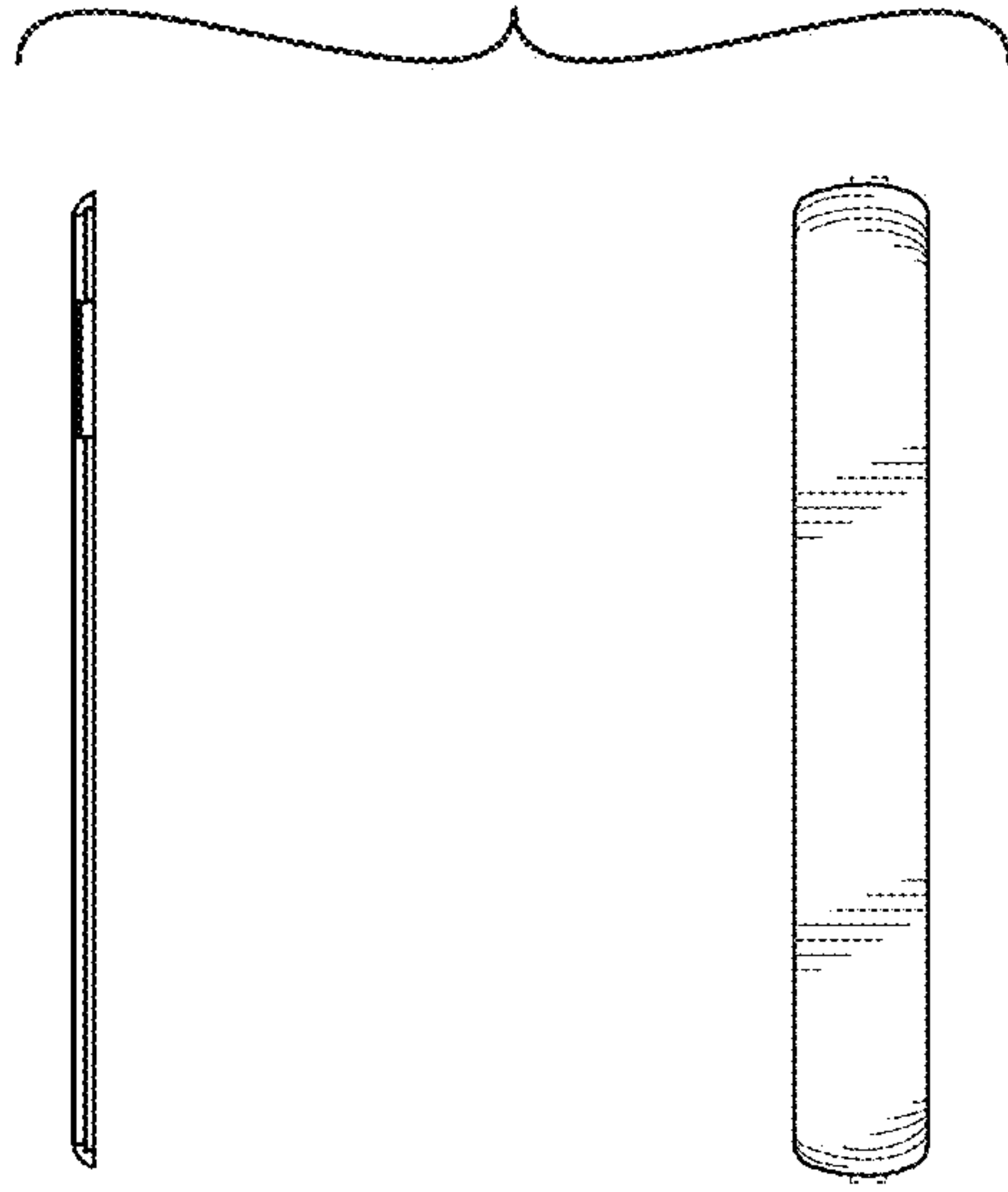


FIG. 8

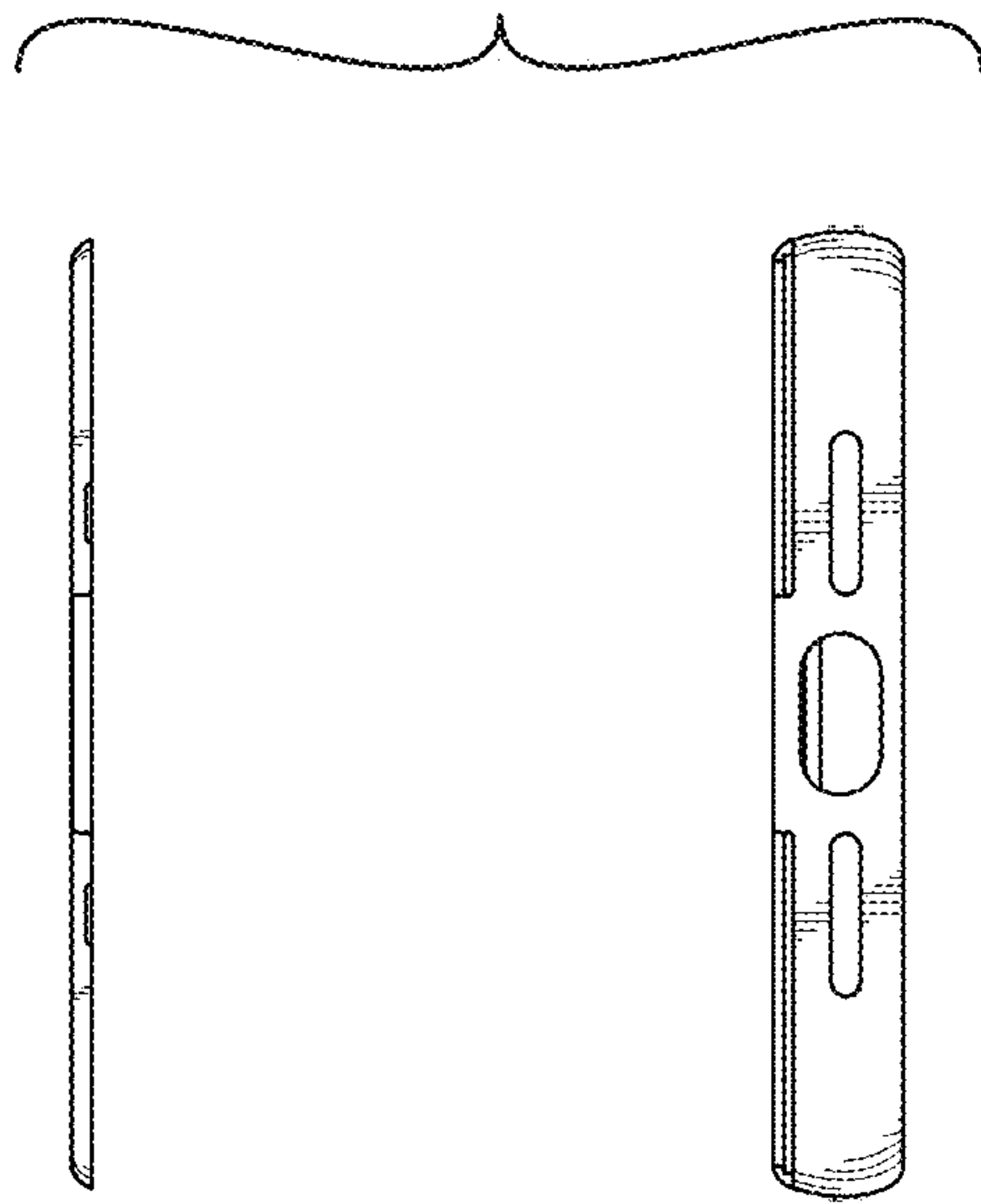


FIG. 7

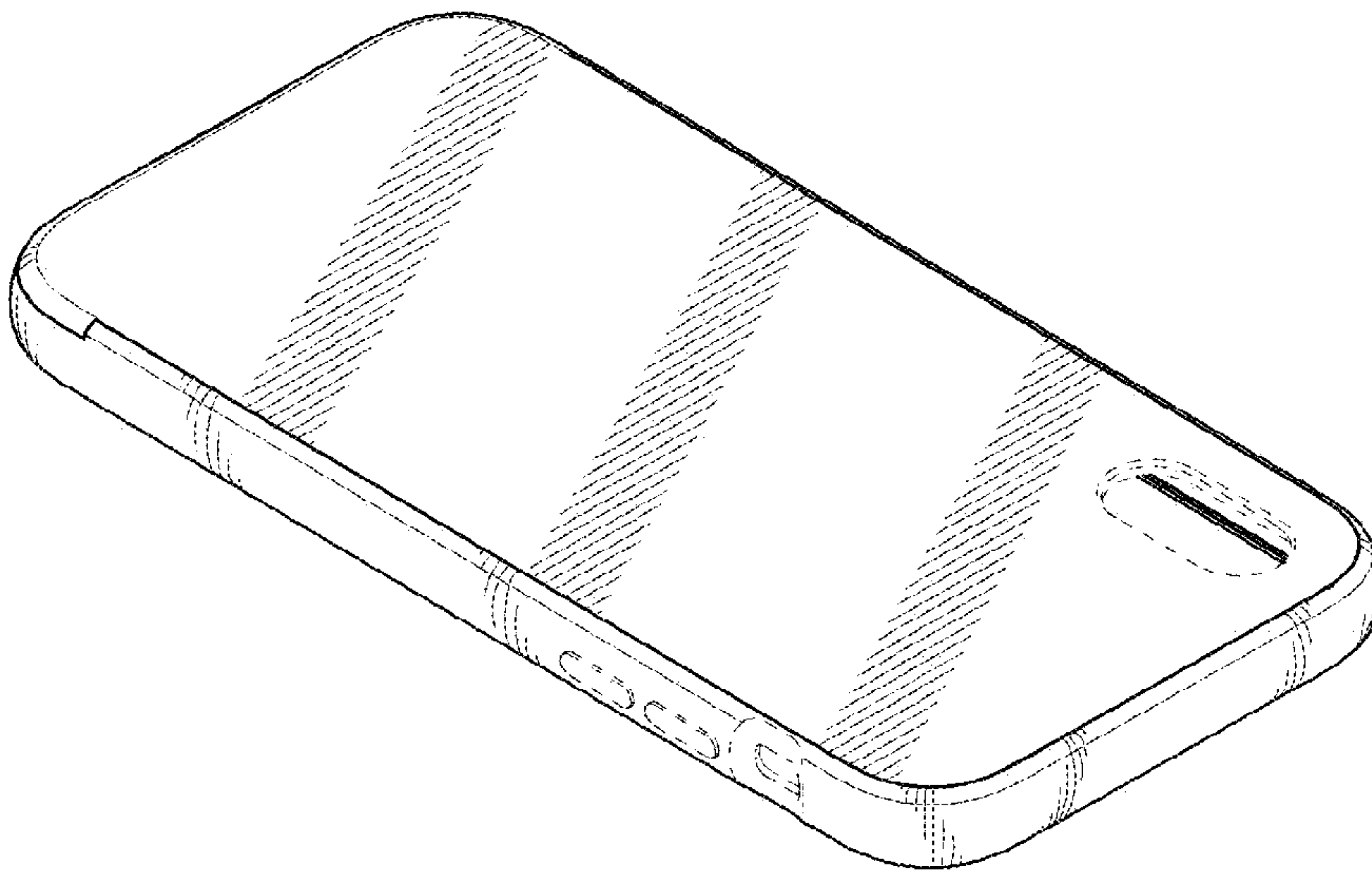


FIG. 9

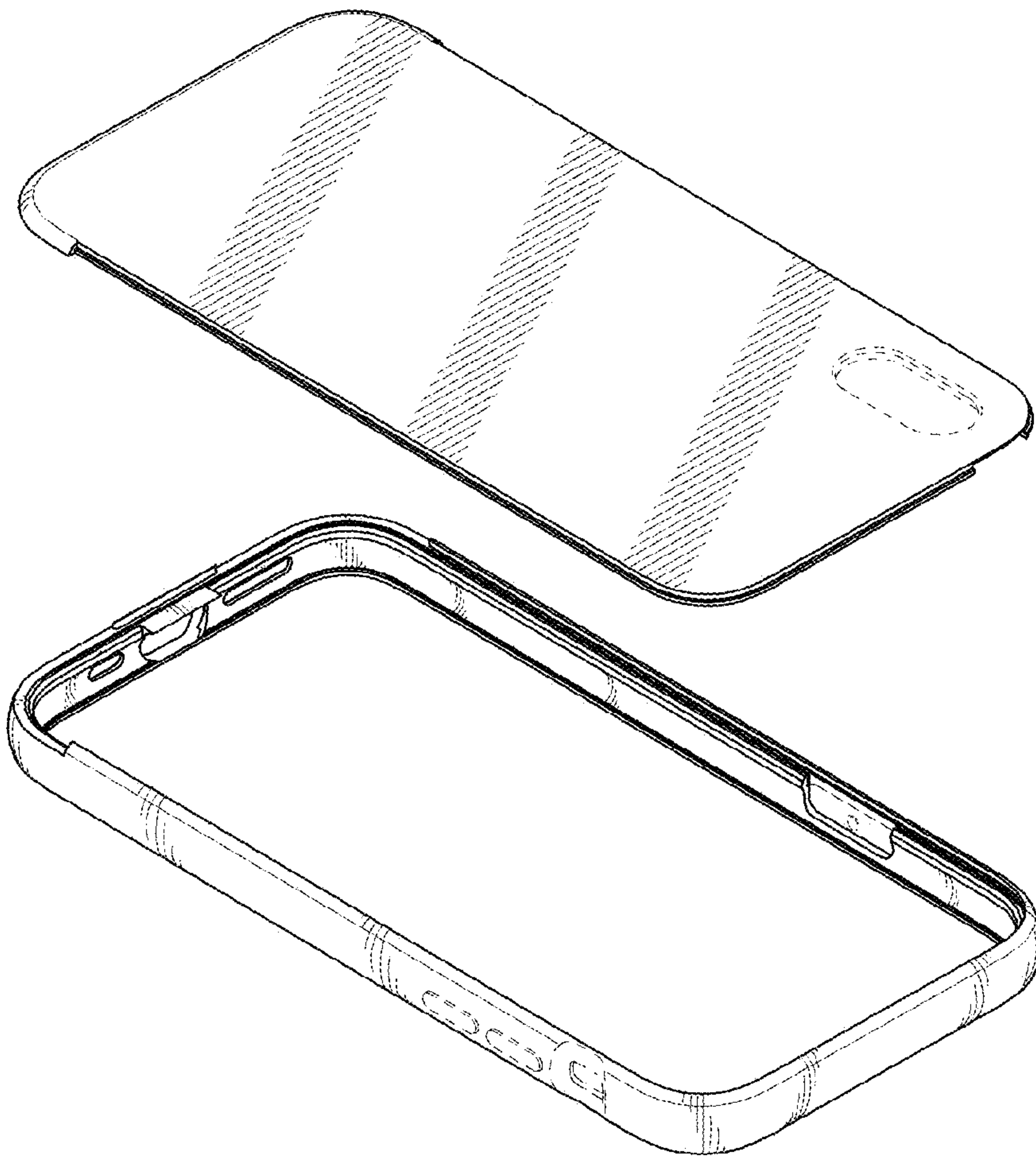


FIG. 10

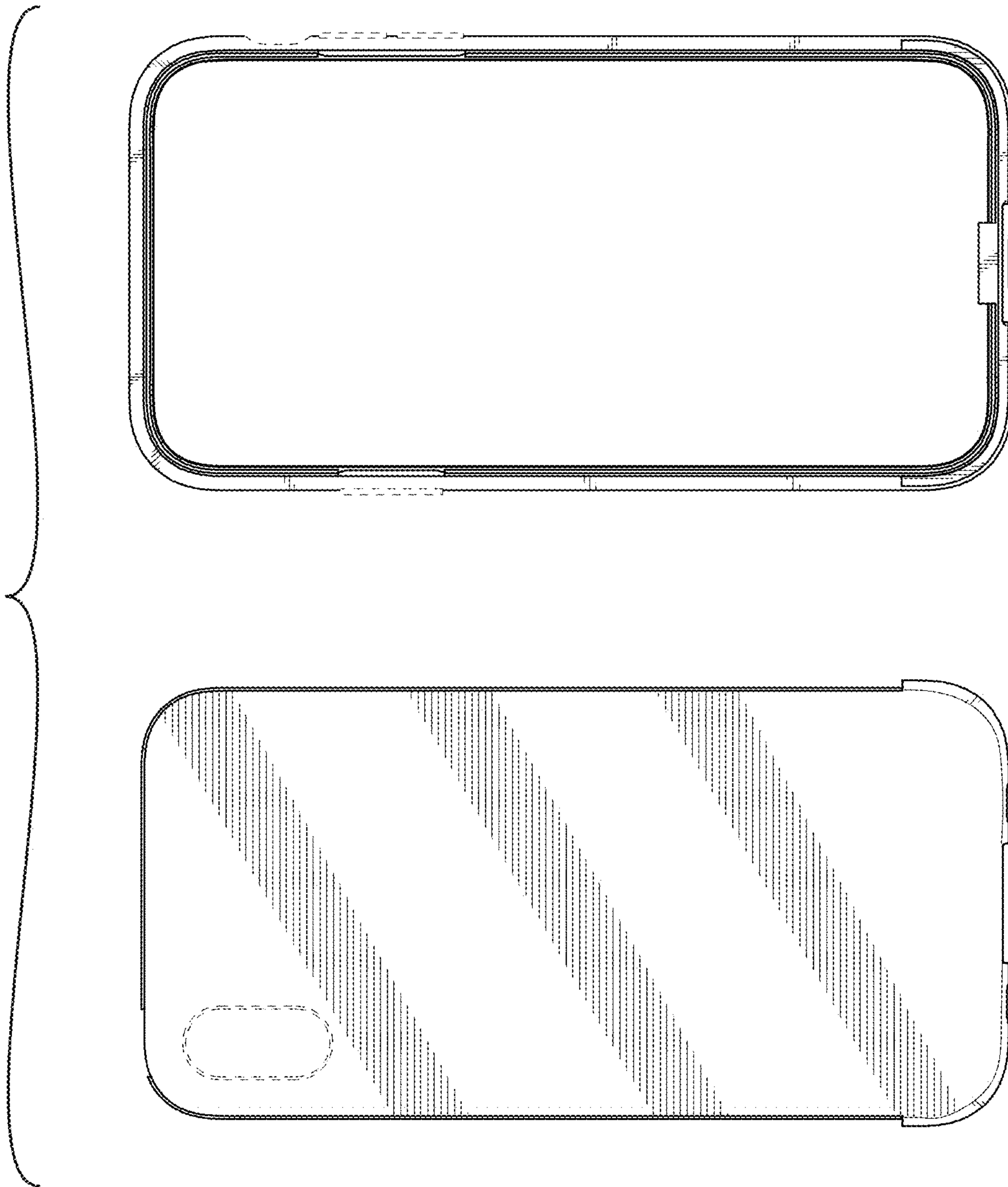


FIG. 11

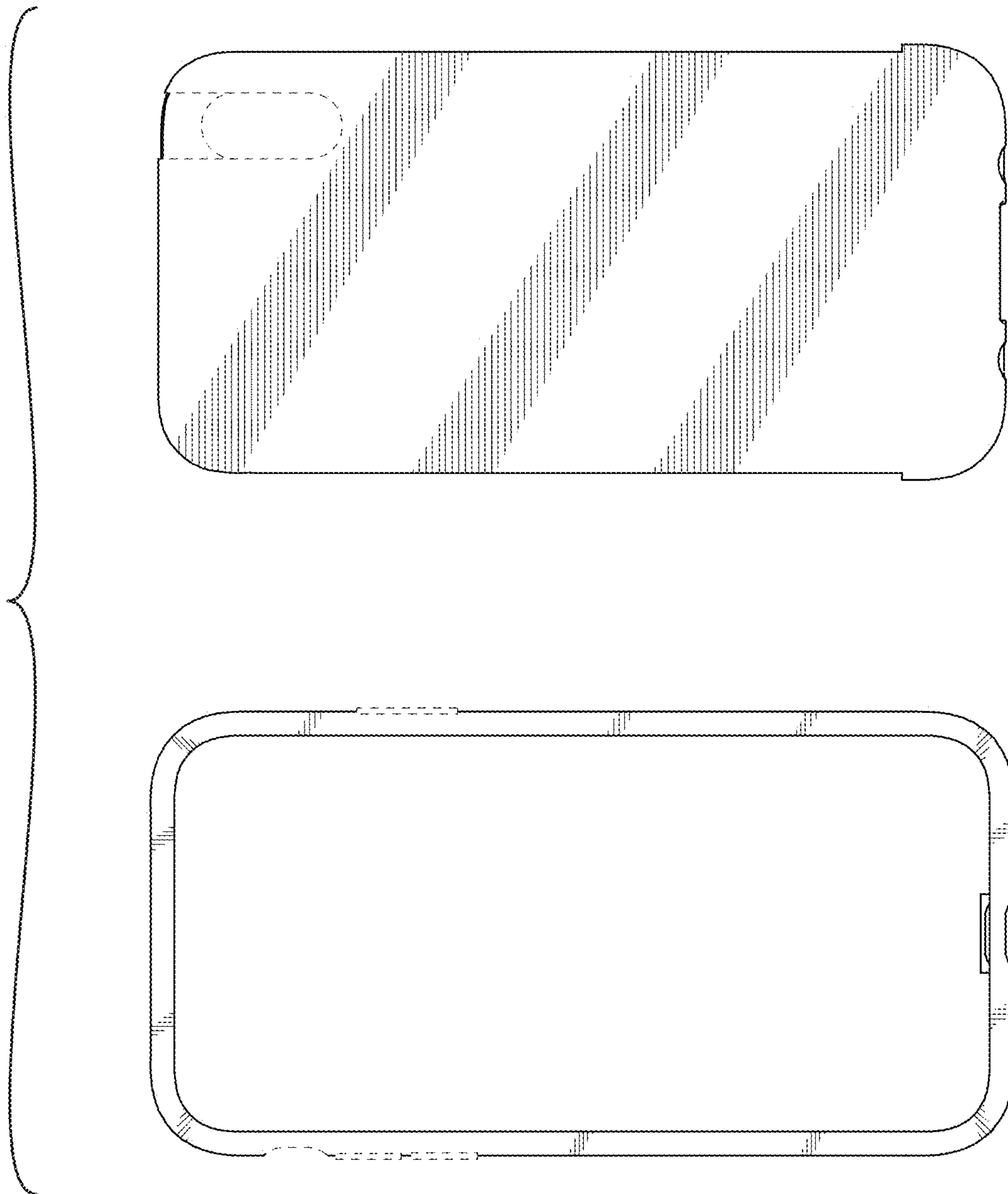
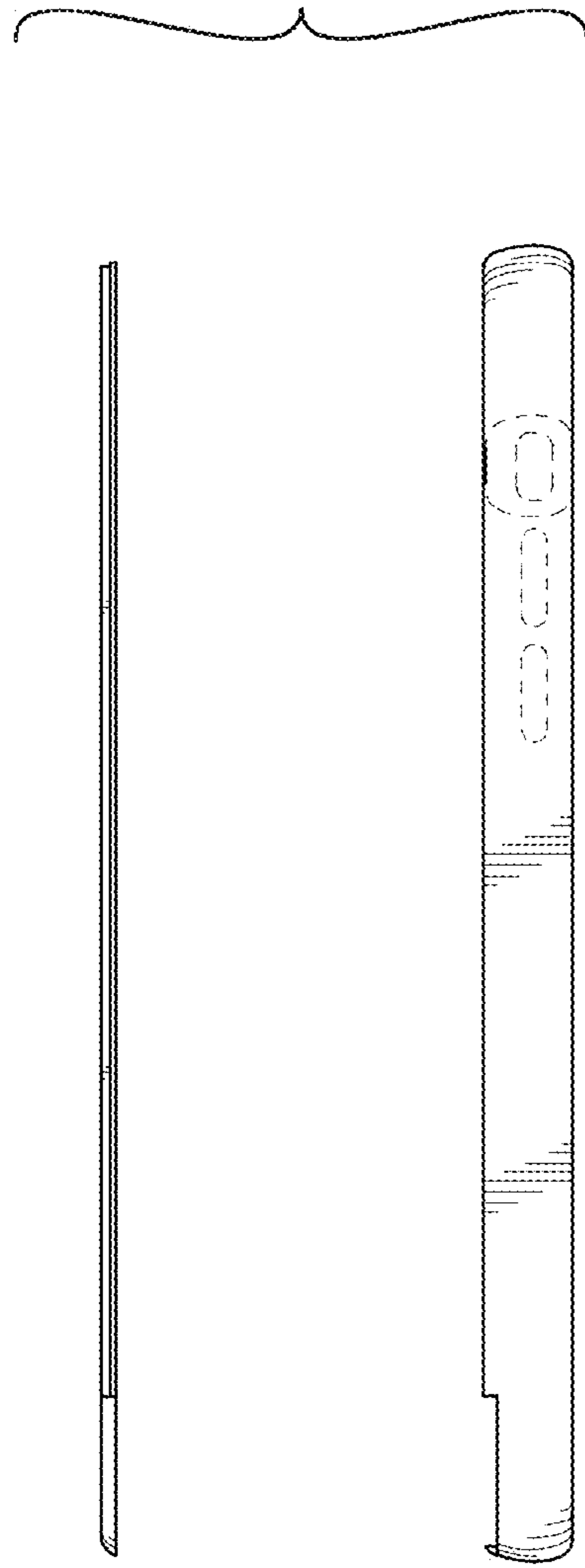
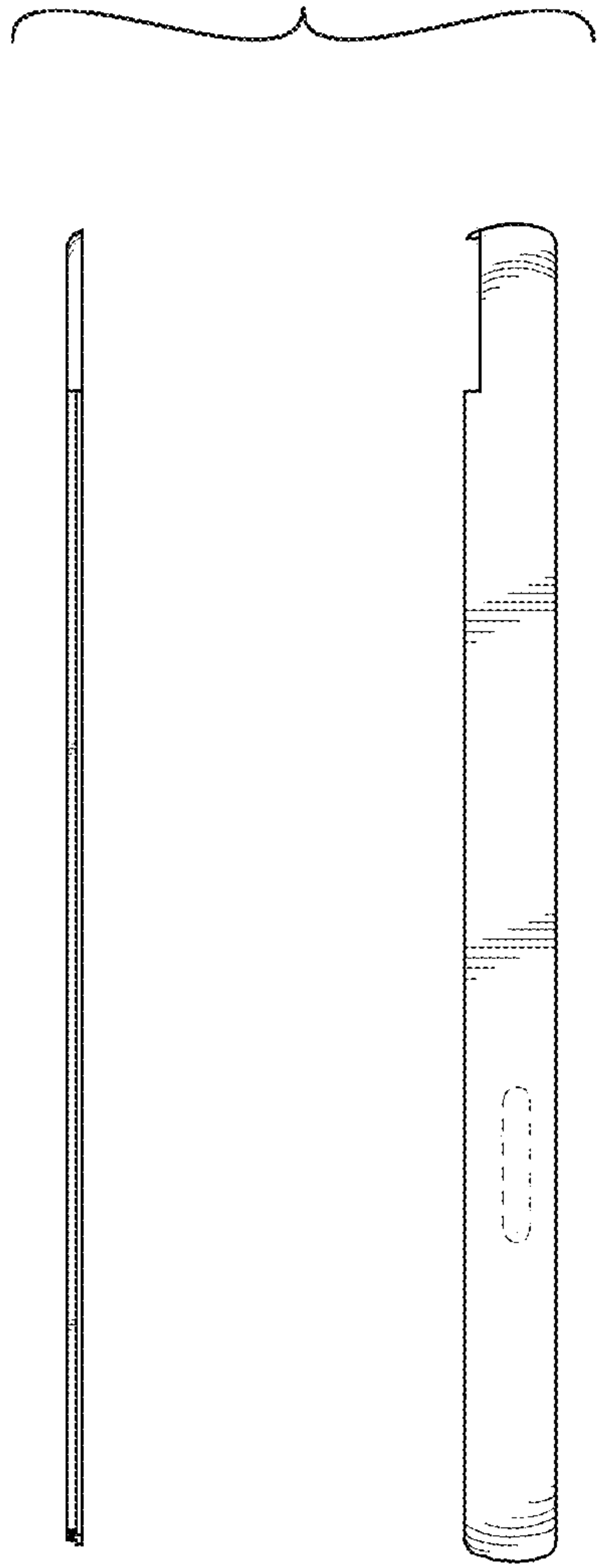


FIG. 12



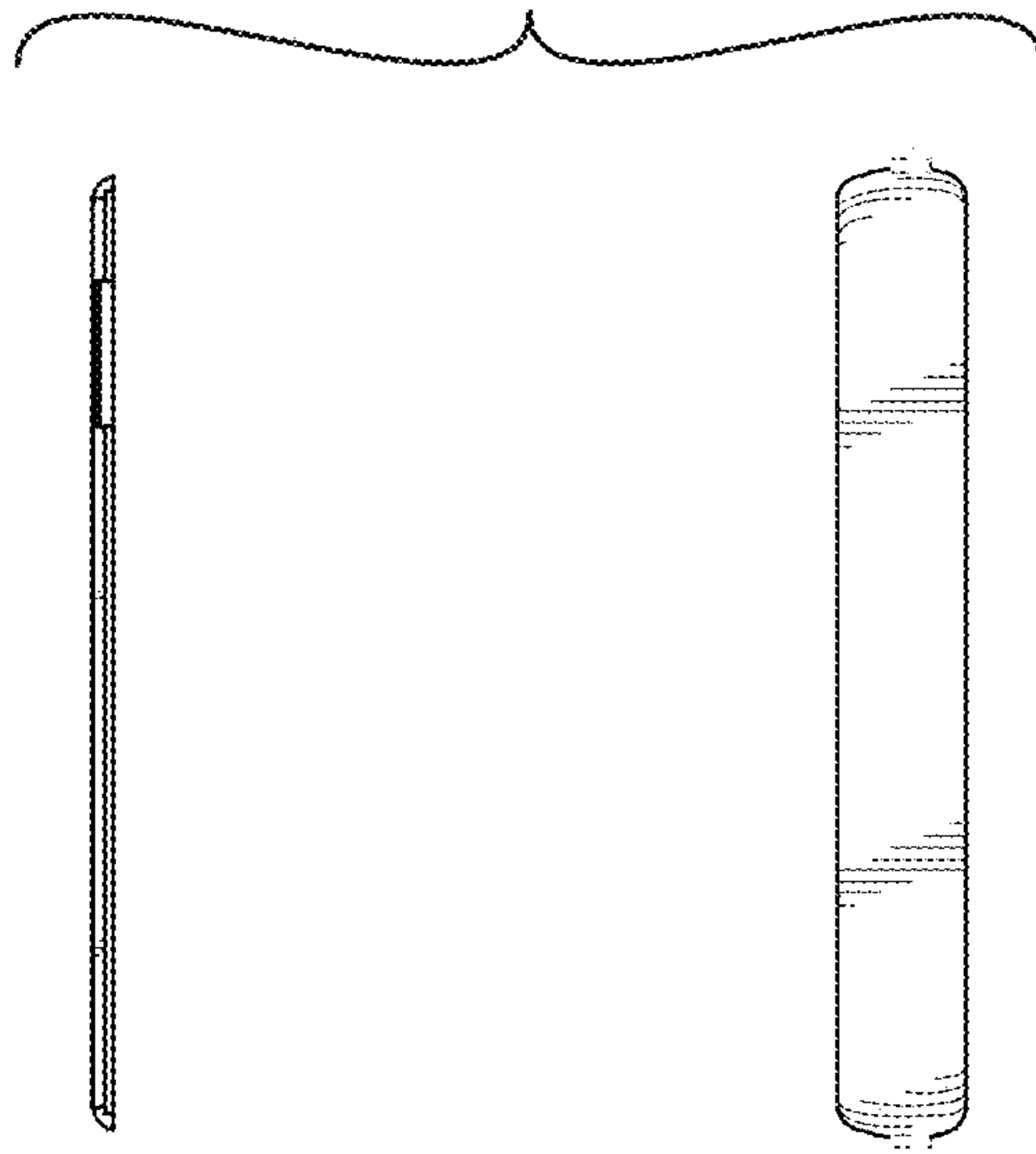


FIG. 15

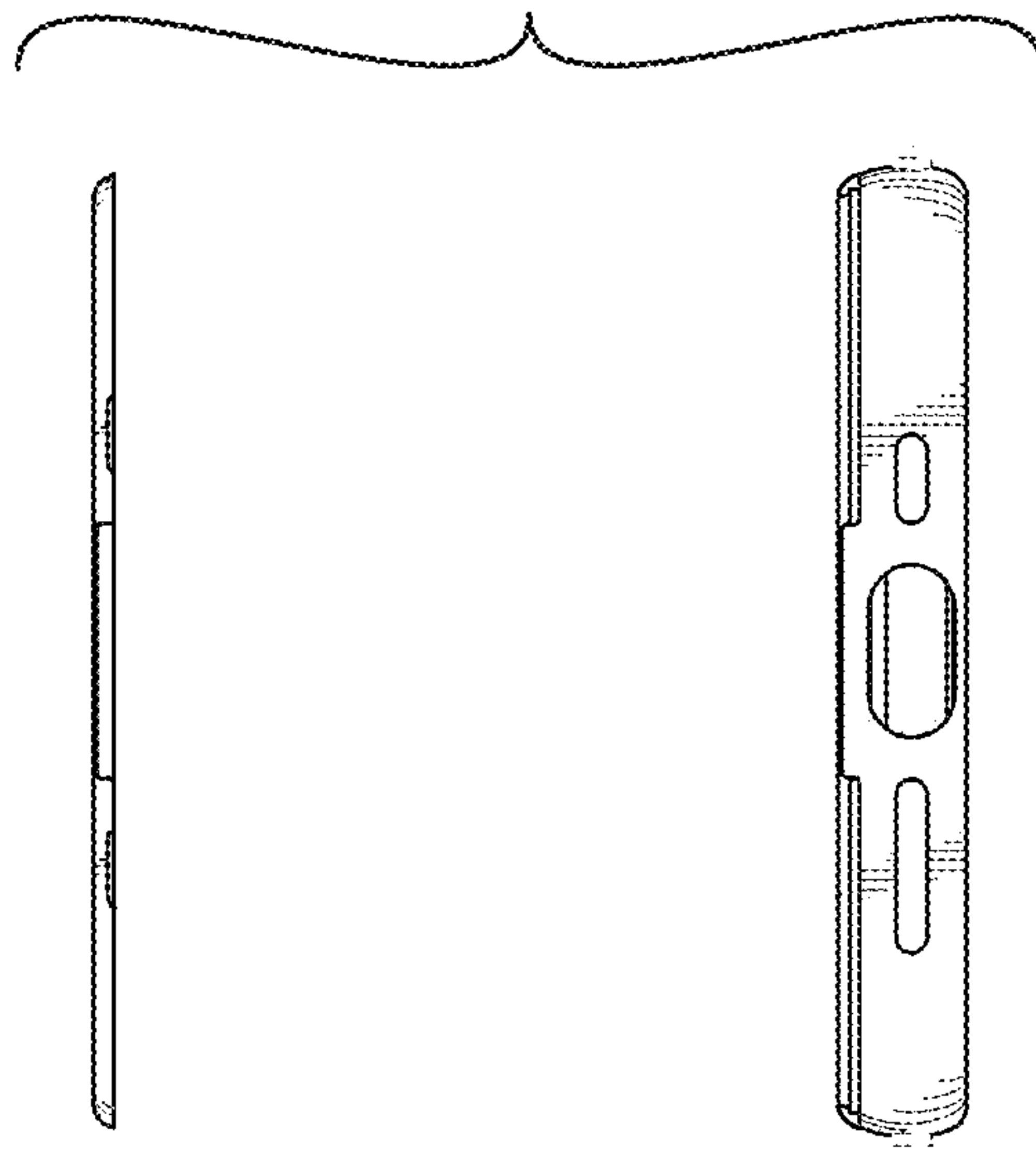


FIG. 16

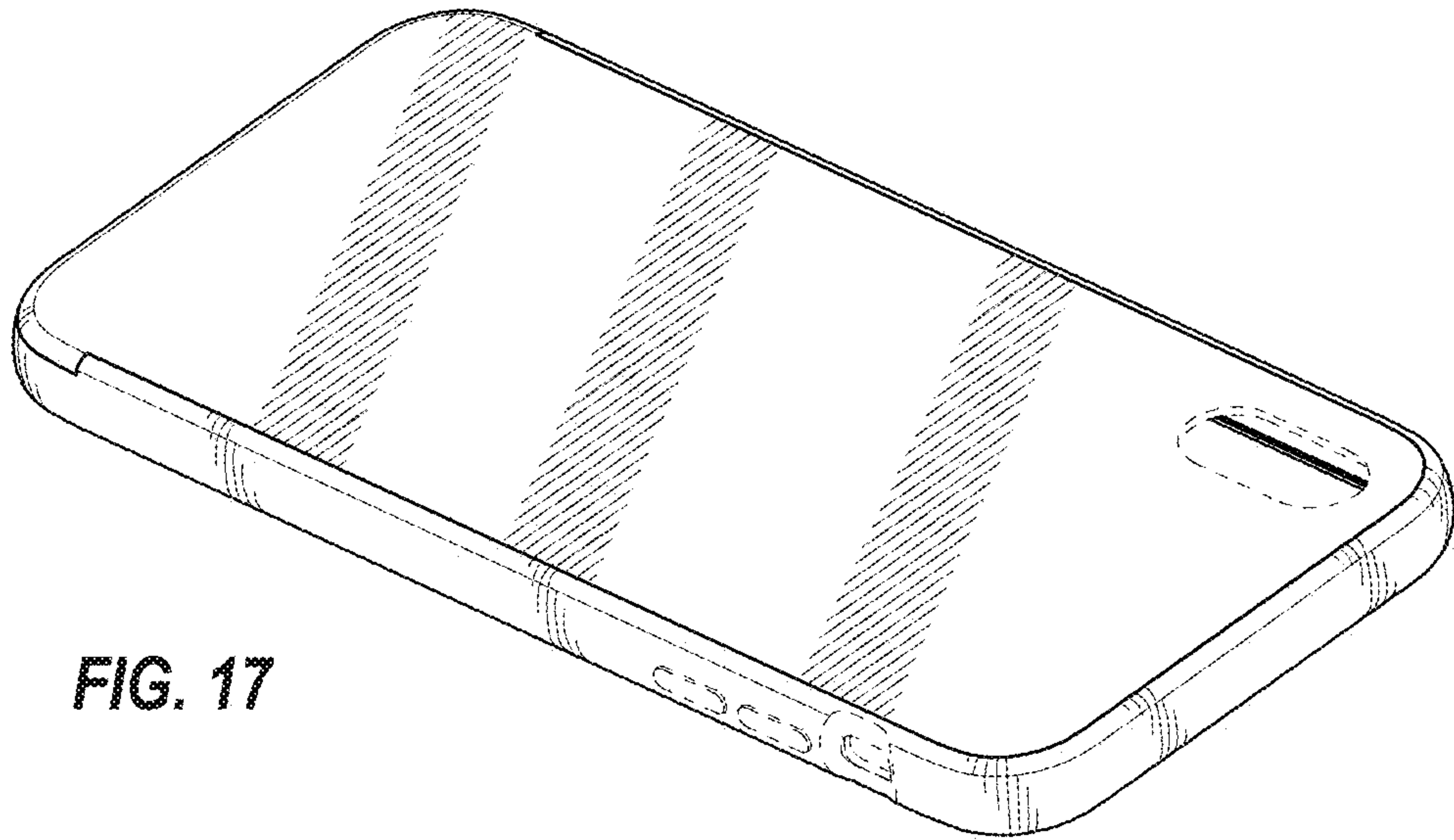


FIG. 17

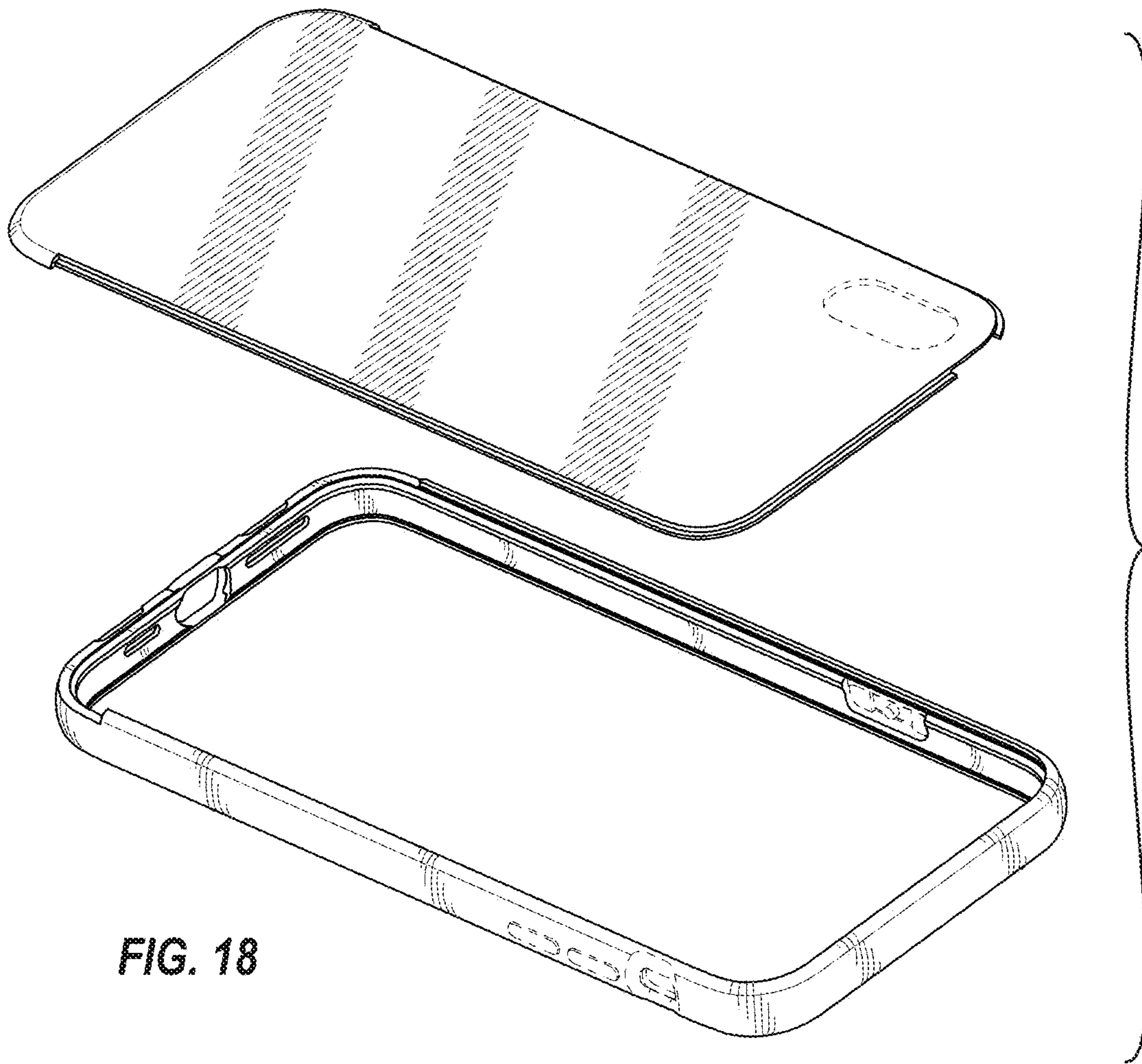


FIG. 18

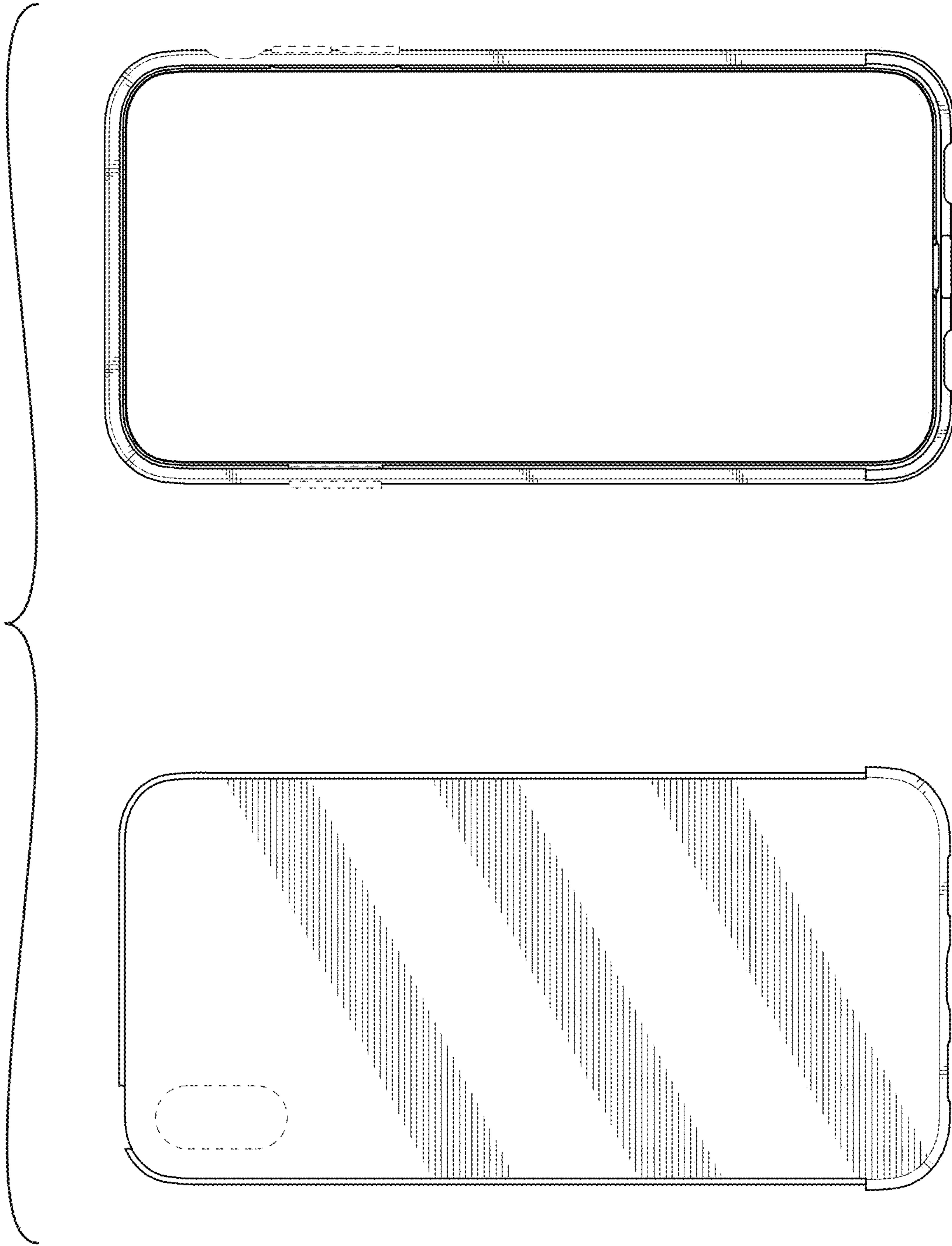


FIG. 19

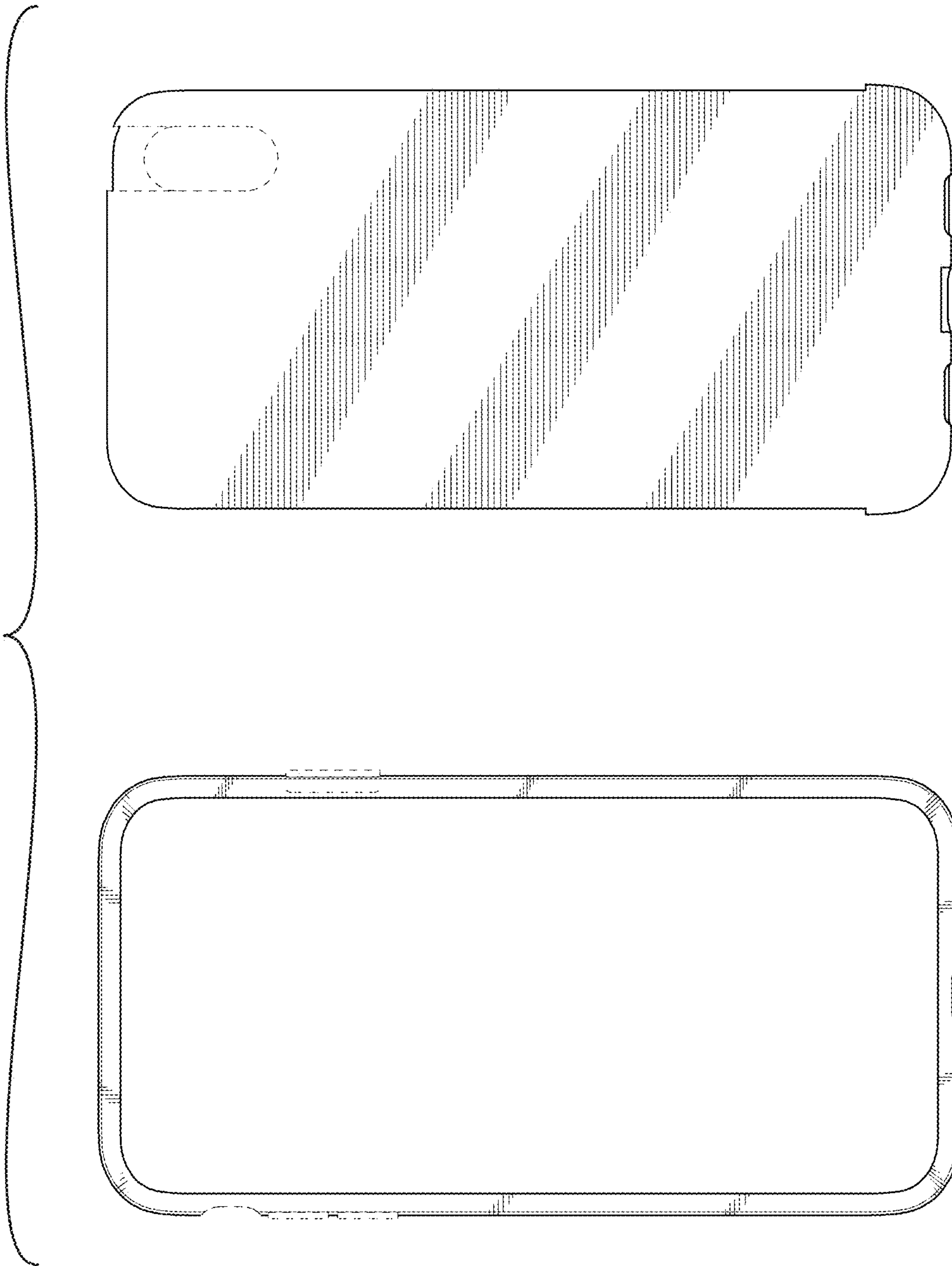


FIG. 20

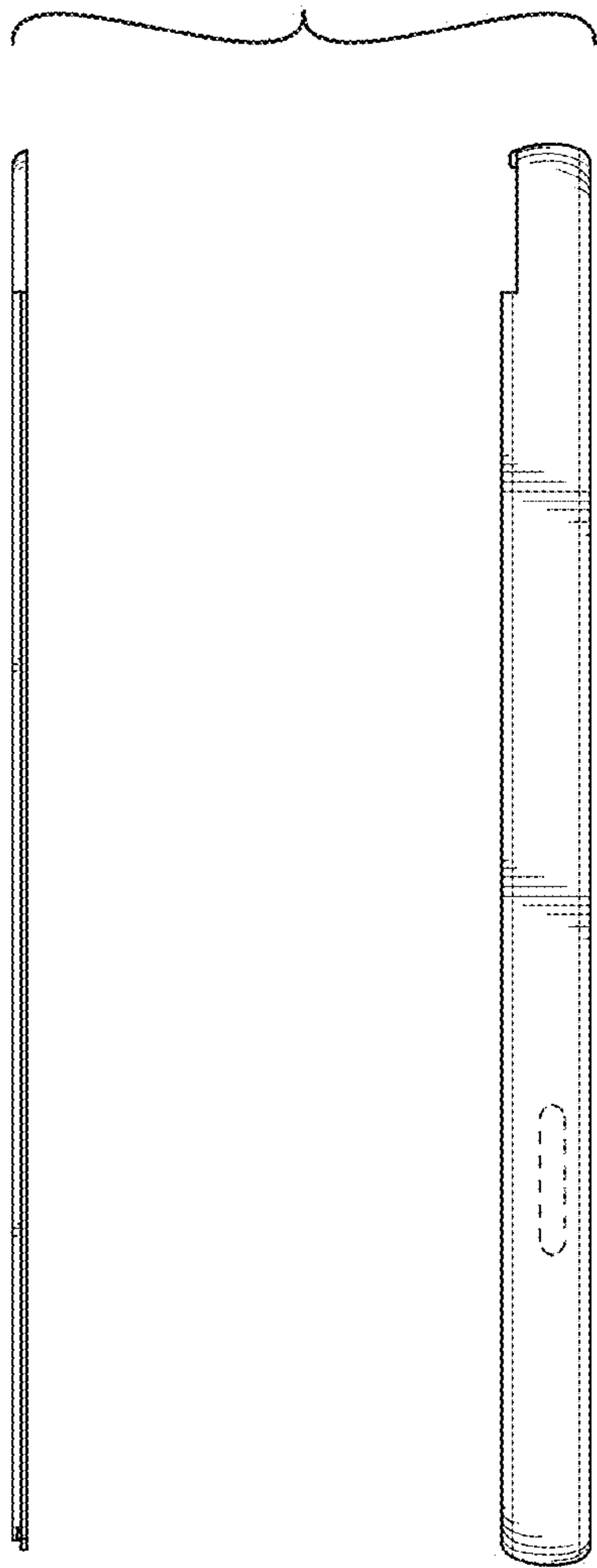


FIG. 21

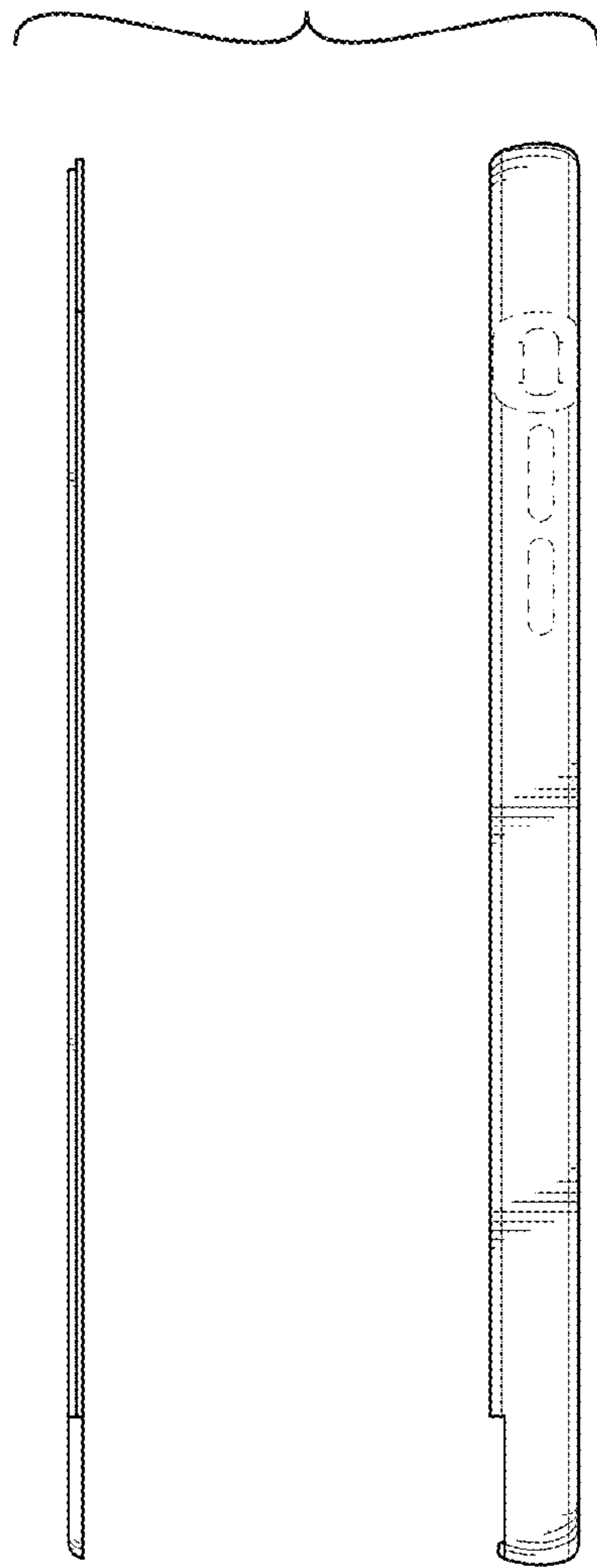


FIG. 22

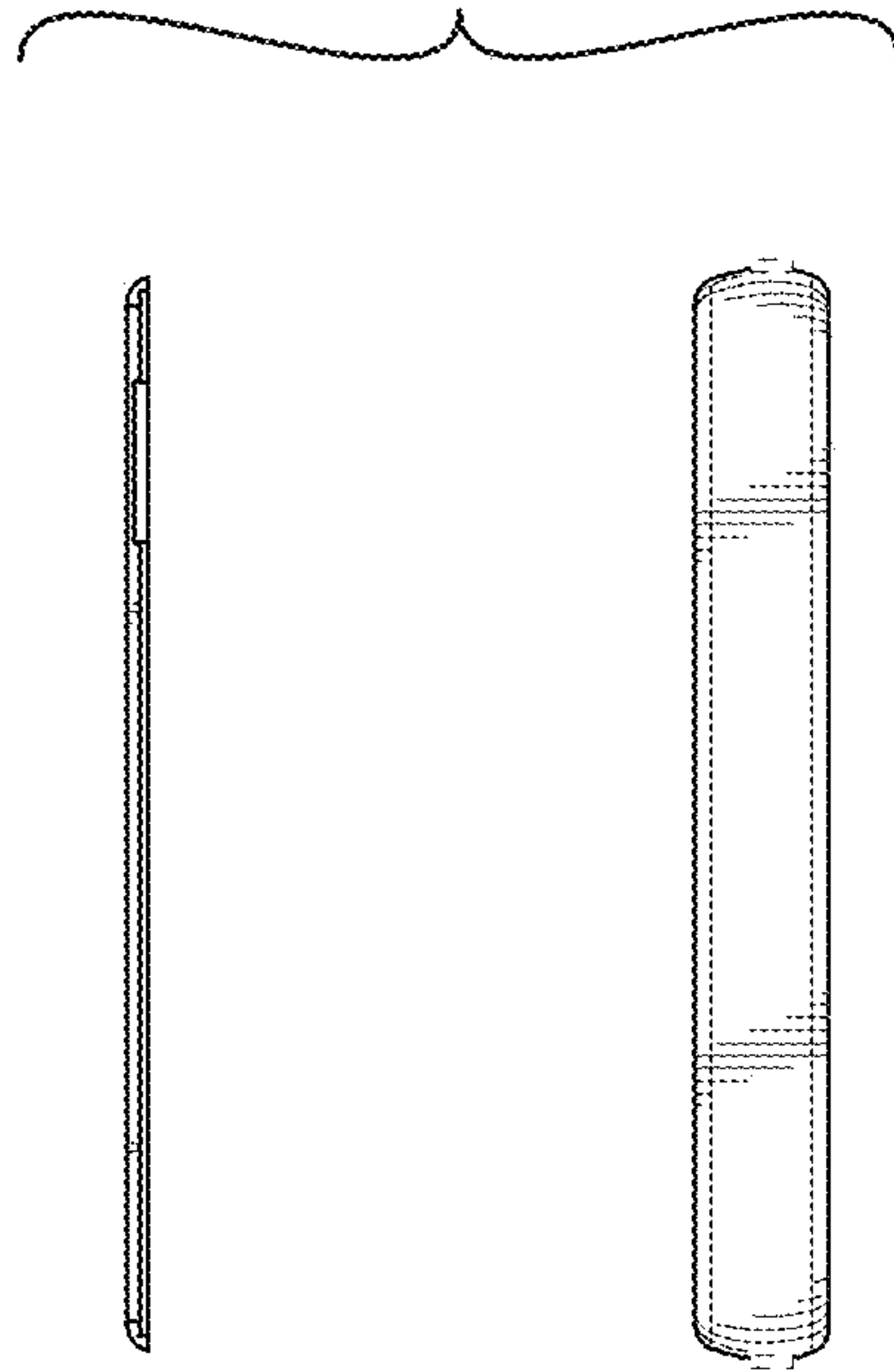


FIG. 23

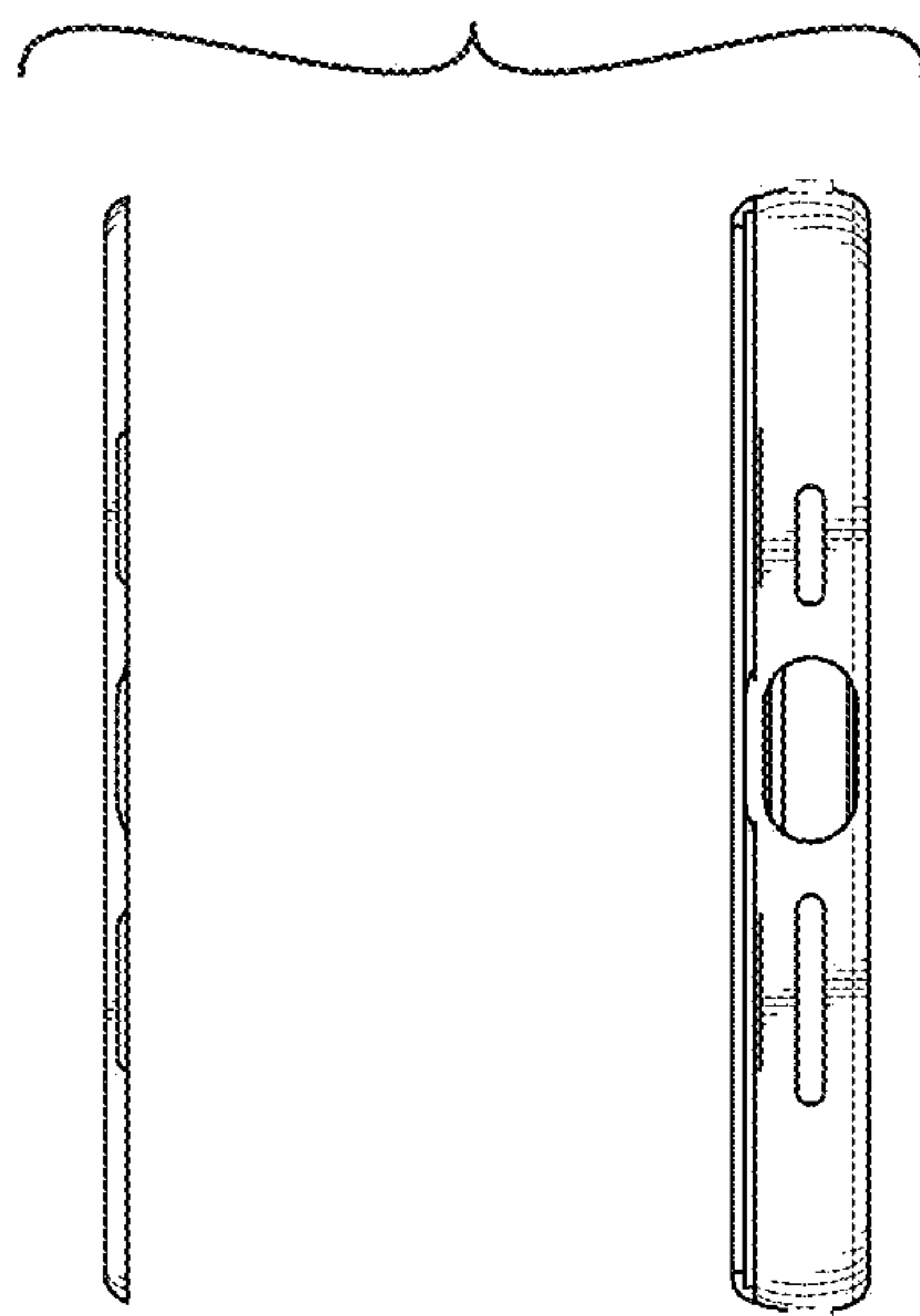


FIG. 24