



US00D978844S

(12) **United States Design Patent**
Knapp

(10) **Patent No.:** **US D978,844 S**

(45) **Date of Patent:** **** Feb. 21, 2023**

(54) **ARTICULATING DISPLAY MOUNT**

D807,373 S 1/2018 Thetard et al.
D831,623 S * 10/2018 Sommerfield D14/238
D847,823 S * 5/2019 Monsalve D14/452

(71) Applicant: **CKnapp Sales, Inc.**, Goodfield, IL
(US)

(Continued)

(72) Inventor: **Chance Knapp**, Goodfield, IL (US)

OTHER PUBLICATIONS

(73) Assignee: **CKnapp Sales, Inc.**, Goodfield, IL
(US)

Dual Monitor Desk Mount Arm, first available Oct. 24, 2020, homedepot.com, [online], [site visited Nov. 16, 2020], Available from internet URL: <https://www.homedepot.com/p/ProHT-Dual-Monitor-Desk-Mount-Arm-for-13-in-27-in-Screens-Holds-2-Monitors-45-Degree-Tilt-17-6-lb-Capacity-05321/206660002> (Year: 2020).*

(Continued)

(**) Term: **15 Years**

(21) Appl. No.: **29/717,266**

(22) Filed: **Dec. 16, 2019**

Primary Examiner — W. A. Teddy Falloway

Assistant Examiner — Holly M Rodriguez

(74) *Attorney, Agent, or Firm* — Hanley, Flight and Zimmerman, LLC

Related U.S. Application Data

(63) Continuation of application No. 29/656,278, filed on Jul. 11, 2018, now Pat. No. Des. 872,067.

(51) **LOC (14) Cl.** **14-03**

(52) **U.S. Cl.**
USPC **D14/239**

(58) **Field of Classification Search**
USPC ... D14/451, 239, 217, 224, 230, 238, 238.1, D14/448, 432, 300, 447, 336, 371–382; D6/672; D8/349, 363
CPC .. F16M 13/02; F16M 11/046; Y10S 248/923; Y10S 248/917; Y10S 248/918; H05K 5/0017; H05K 5/0204

See application file for complete search history.

(57) **CLAIM**

The ornamental design for an “articulating display mount”, substantially as shown and described.

DESCRIPTION

FIG. 1 is a first isometric view of an articulating display mount.

FIG. 2 is a front view of the articulating display mount of FIG. 1.

FIG. 3 is a rear view of the articulating display mount of FIG. 1.

FIG. 4 is a bottom view of the articulating display mount of FIG. 1.

FIG. 5 is a top view of the articulating display mount of FIG. 1.

FIG. 6 is a first side view of the articulating display mount of FIG. 1; and,

FIG. 7 is a second side view of the articulating display mount of FIG. 1.

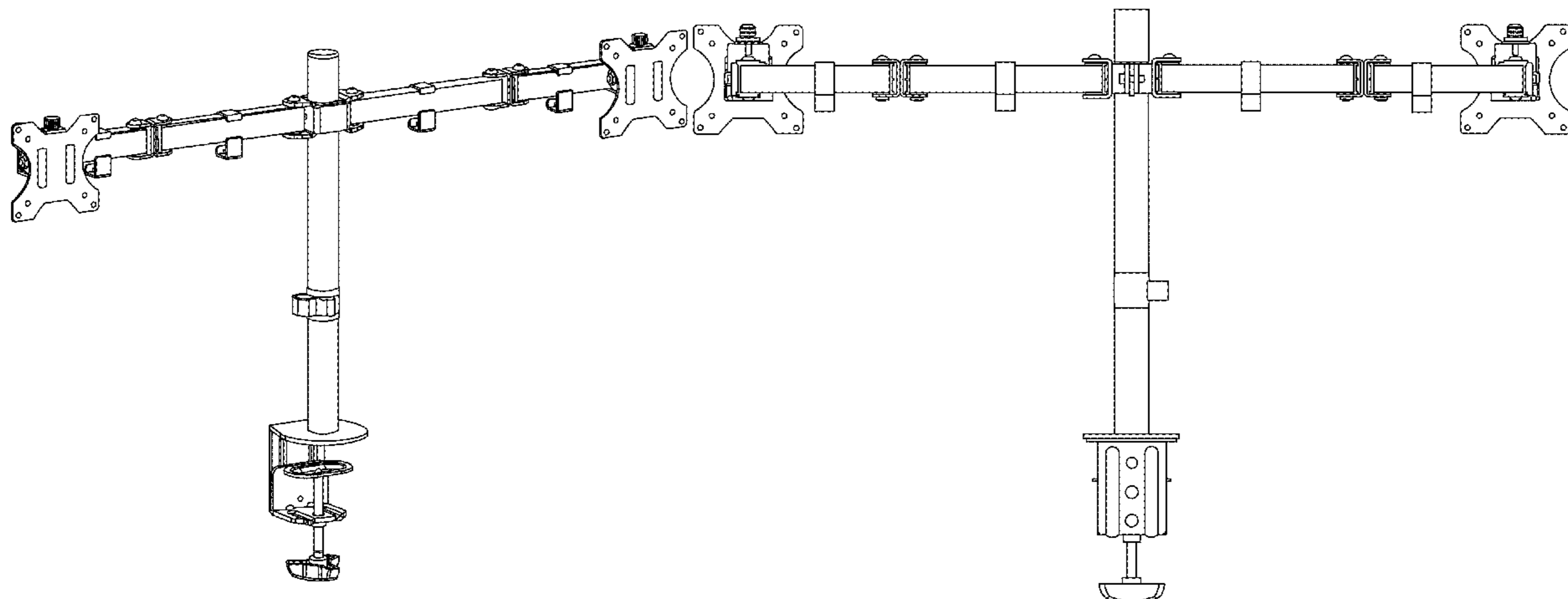
The broken lines shown in FIGS. 1-7 illustrate portions of the articulating display mount that form no part of the claimed design.

(56) **References Cited**

U.S. PATENT DOCUMENTS

D568,325 S * 5/2008 Muday D14/452
D629,808 S * 12/2010 Sapper D14/452
D679,282 S * 4/2013 Liu D14/452
8,534,615 B2 * 9/2013 Huang F16M 11/24
248/125.1
D798,848 S 10/2017 Frank

1 Claim, 7 Drawing Sheets



(56)

References Cited

U.S. PATENT DOCUMENTS

D849,013	S	5/2019	Monsalve et al.	
D854,861	S *	7/2019	Lee	D6/656
D872,067	S *	1/2020	Knapp	D14/239
D872,719	S *	1/2020	Knapp	D14/239
D877,745	S *	3/2020	Knapp	D14/452
D894,197	S *	8/2020	Knapp	D14/452
D895,632	S *	9/2020	Knapp	D14/452
D936,053	S *	11/2021	Chen	D14/375
D937,845	S *	12/2021	Zhang	D14/452
2009/0134285	A1 *	5/2009	Huang	F16M 11/2014 248/124.1
2012/0056050	A1 *	3/2012	Huang	F16M 11/2064 248/124.1

OTHER PUBLICATIONS

VIVO Dual LCD Monitor Desk Mount Stand, first available Oct. 17, 2012, amazon.com, [online], [site visited Nov. 16, 2020],

Available from internet URL: https://www.amazon.com/VIVO-Monitor-Adjustable-Screens-STAND-V002/dp/B009S750LA/ref=sr_1_4?crd=3SKROE7YYO9E6&dchild=1&keywords%E2%80%A6 (Year: 2012).*

HUANUO Dual Monitor Arms Desk Mount for 13 to 27 inch, first available Nov. 30, 2018, amazon.com, [online], [site visited Sep. 27, 2022], Available from internet URL: <https://www.amazon.com/dp/B07JKWH97B/> (Year: 2018).*

United States Patent and Trademark Office, "Notice of Allowance," issued in connection with U.S. Appl. No. 29/656,278, dated Aug. 28, 2019, 21, pages.

VIVO, VIVO Dual LED LCD Monitor Free-Standing Desk Stand for 2 Screens up to 27 inches, Heavy-Duty Fully Adjustable Arms with Max VESA 100x100mm (STAND-V002F), retrieved from <https://www.amazon.com/VIVO-Standing-Bolt-through-Adjustable-STAND-V002F/dp/B00C5H5DN0/> on Jan. 9, 2020, 1 page.

VIVO, "VIVO Dual LCD Monitor Desk Mount Stand Heavy Duty Fully Adjustable fits 2 /Two Screens up to 27" (STAND-V002)", retrieved from <https://www.amazon.com/VIVO-Monitor-Adjustable-Screens-STAND-V002/dp/B009S750LA/> on Jan. 10, 2020, 1 page.

* cited by examiner

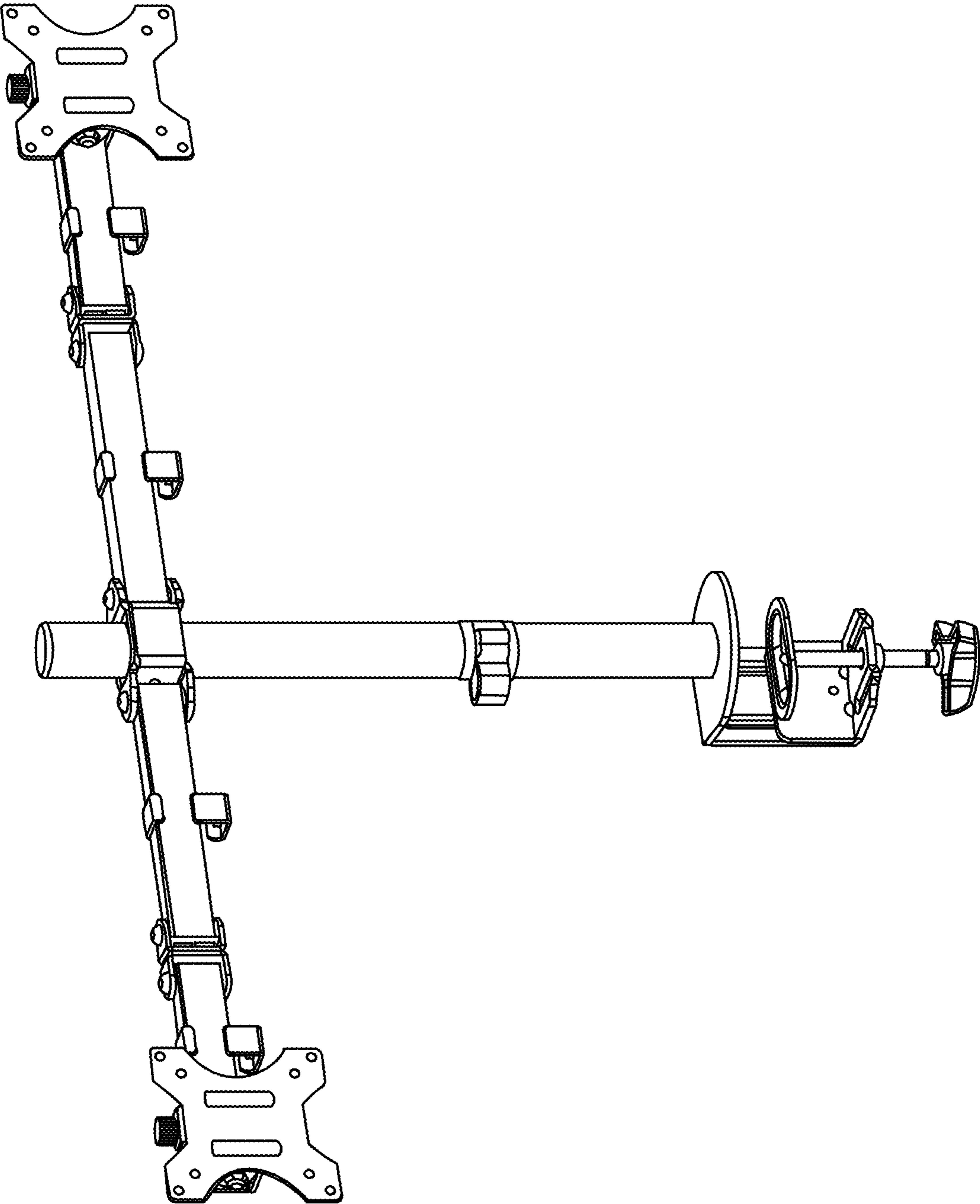


FIG. 1

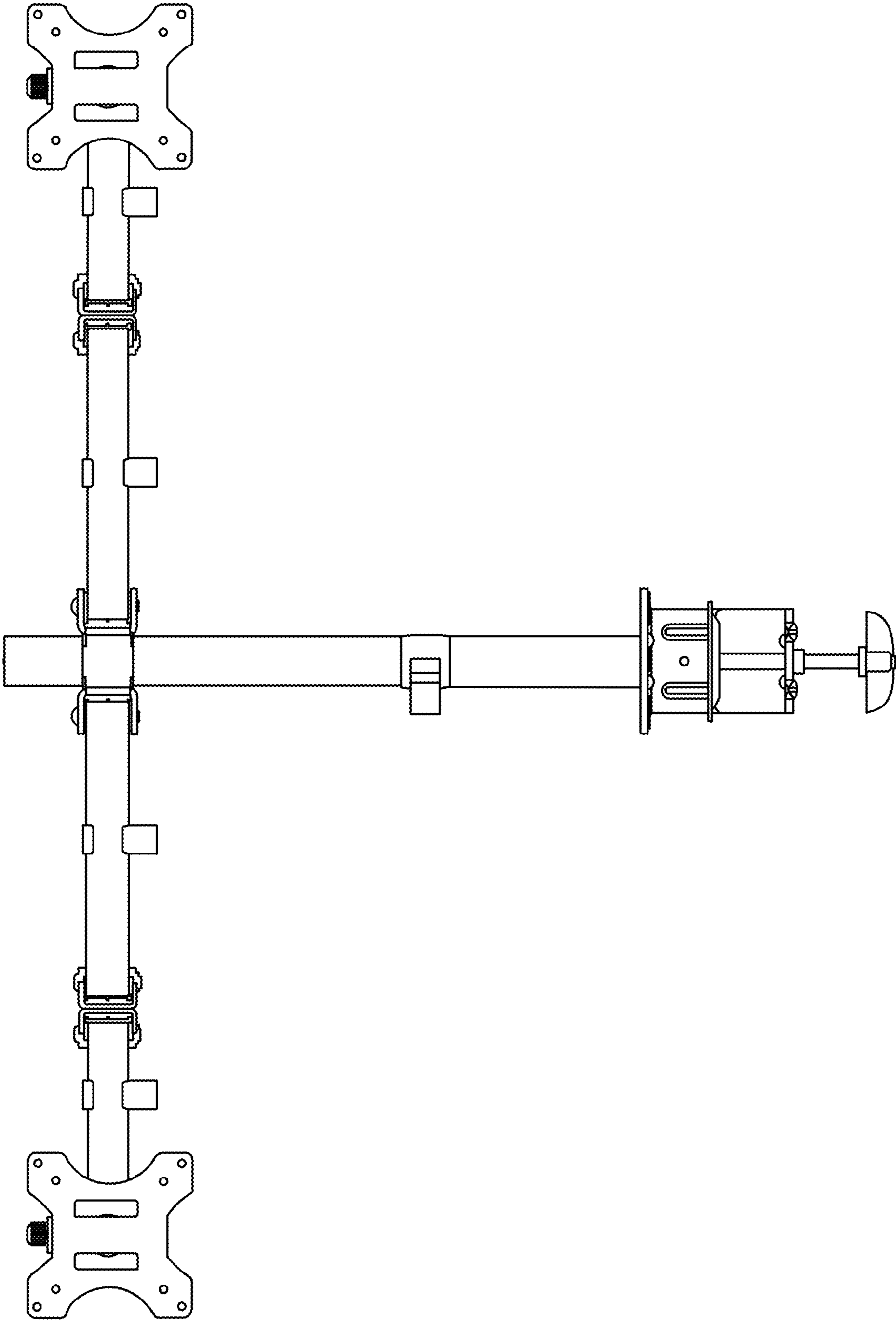


FIG. 2

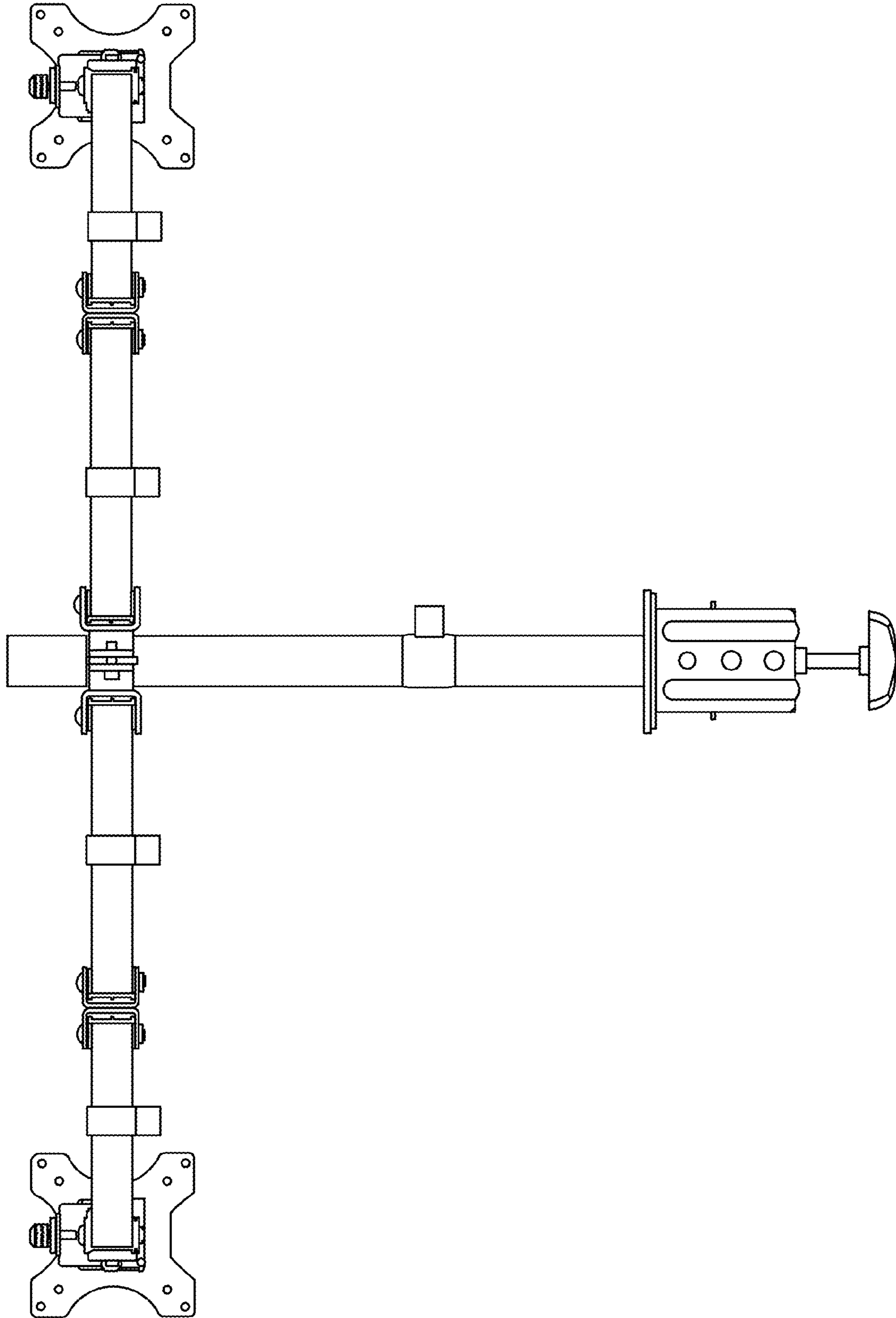


FIG. 3

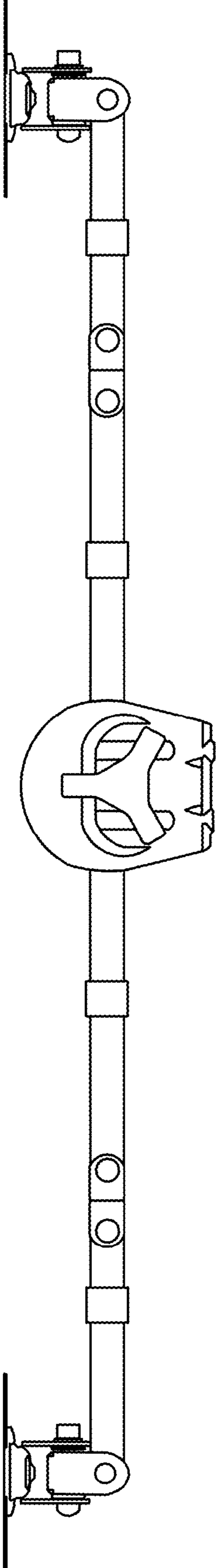


FIG. 4

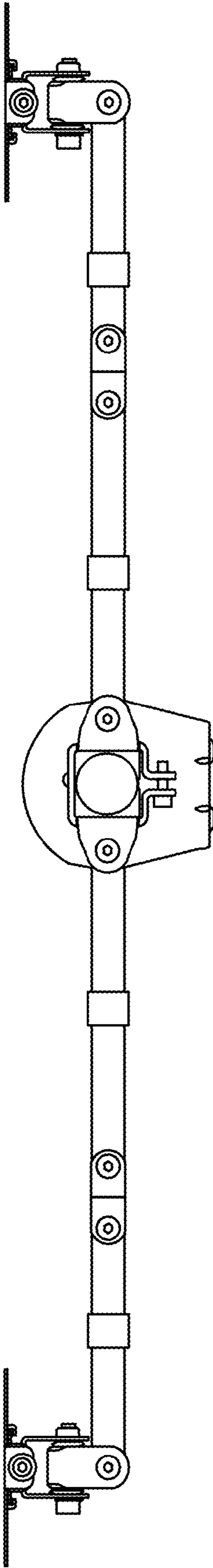


FIG. 5

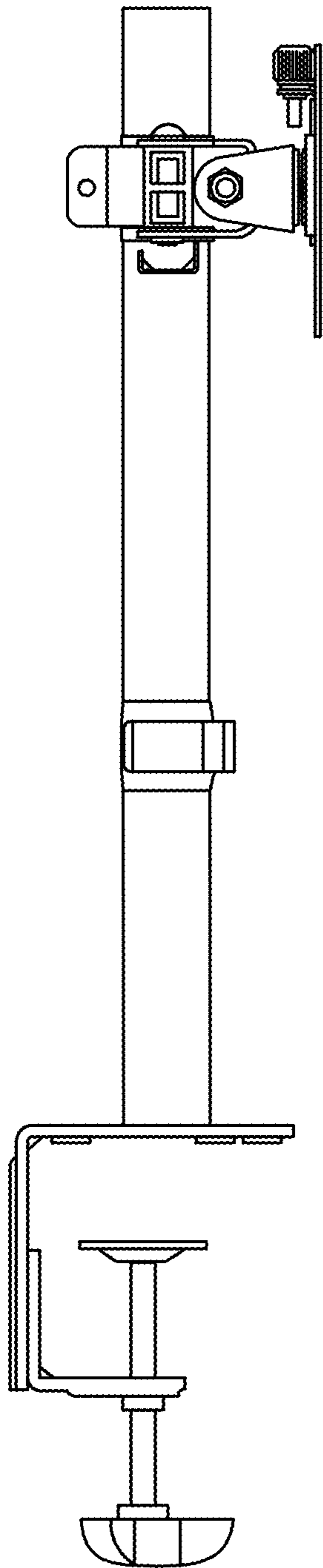


FIG. 6

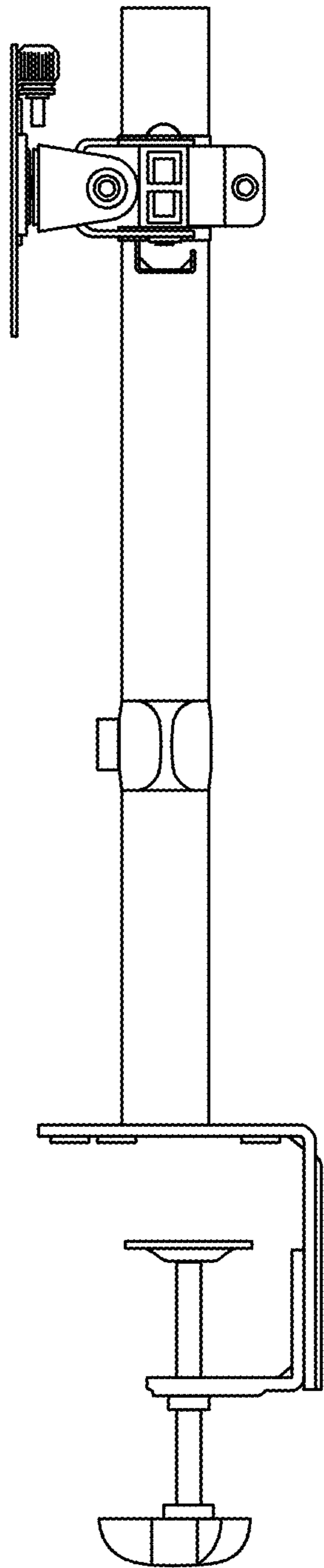


FIG. 7