



US00D978838S

(12) **United States Design Patent** (10) **Patent No.:** **US D978,838 S**
Xie (45) **Date of Patent:** **** Feb. 21, 2023**

(54) **AUDIO MIXER**

(71) Applicant: **Shenzhen Lanque Shangpin Trading Co, Ltd., Shenzhen (CN)**

(72) Inventor: **Yong Xie, Jiangxi (CN)**

(**) Term: **15 Years**

(21) Appl. No.: **29/785,395**

(22) Filed: **May 25, 2021**

(51) **LOC (14) Cl.** **14-03**

(52) **U.S. Cl.**

USPC **D14/217**

(58) **Field of Classification Search**

USPC D14/217, 257, 258, 434, 496, 162, 167, D14/175, 188, 196-198; D13/162, 164, D13/171, 174

CPC G10H 1/0066; G10H 1/0008; G10H 2220/106; G10H 1/32; G10H 2220/096; G10H 2230/015; G10H 1/38; G10H 1/0091; G10H 2210/125; G10H 1/34; G10H 1/348; G10H 1/02; G10H 1/46; G10H 1/0025; G10H 2210/066; G10H 2220/201; G10H 2220/241; G10H 2240/211; G10H 7/008; G10H 7/02; G10H 1/0058; G10H 2230/021; G10H 3/146; G10H 7/00; G10H 1/00; G10H 1/28; G10H 1/342; G10H 1/36; G10H 1/383; G10H 2210/081; G10H 2210/095; G10H 3/188; G10H 1/0033; G10H 1/0083; G10H 1/0575; G10H 1/06; G10H 1/18; G10H 1/386; G10H 2220/101

See application file for complete search history.

(56) **References Cited**

U.S. PATENT DOCUMENTS

D244,214 S * 5/1977 Ross D14/217
D551,212 S * 9/2007 Andre D14/217

D815,064 S * 4/2018 Garncarz D14/217
D832,822 S * 11/2018 Cho D14/217
D847,791 S * 5/2019 Jhun D14/217
D872,709 S * 1/2020 Pang D14/217
D905,013 S * 12/2020 Kuramoto D14/217
D931,280 S * 9/2021 Kangasmaa D14/388
D933,231 S * 10/2021 Marteau D24/158
D940,687 S * 1/2022 Koursaris D14/217
D951,914 S * 5/2022 Wan D14/217

* cited by examiner

Primary Examiner — Khawaja Anwar

(74) *Attorney, Agent, or Firm* — Justin Lampel

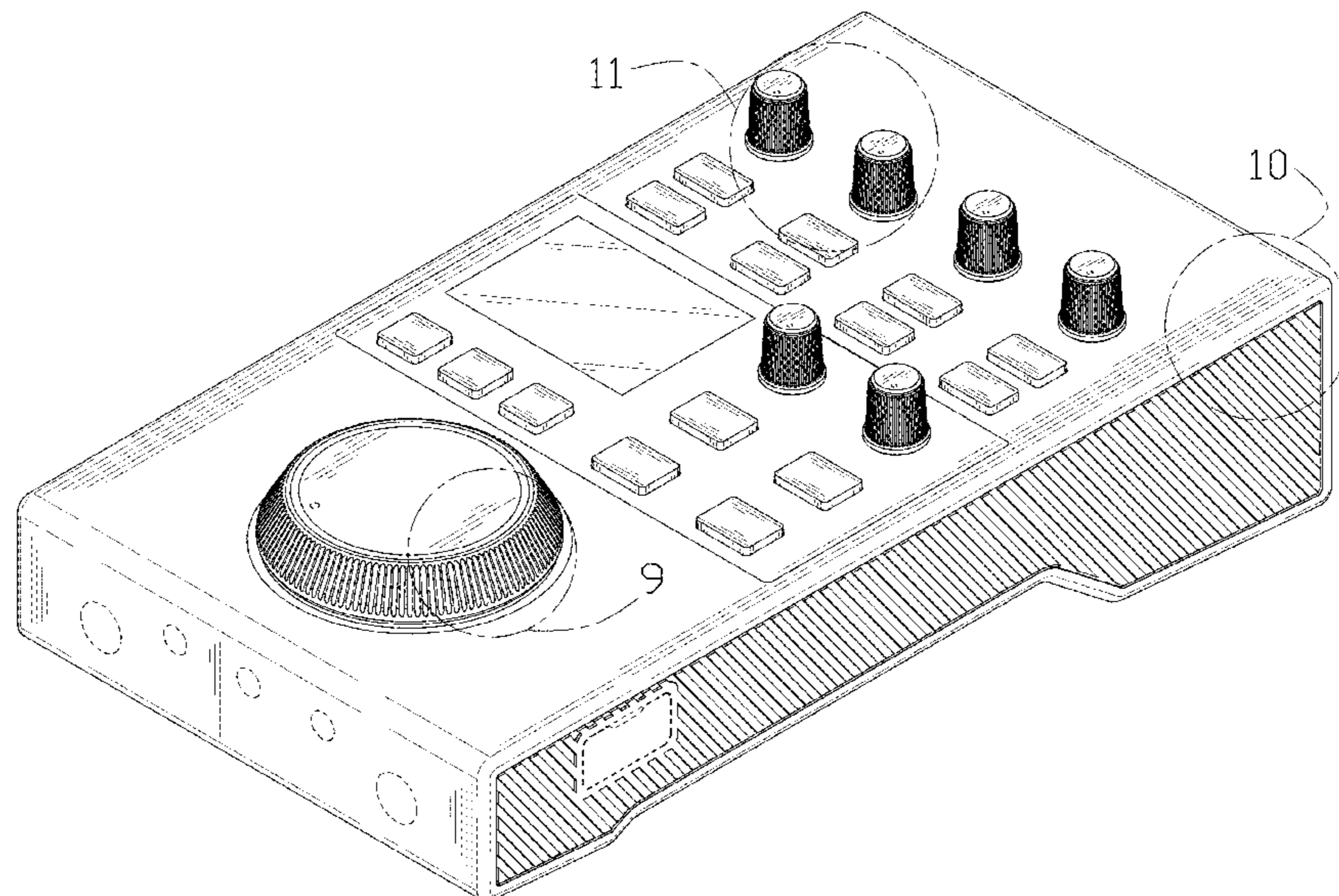
(57) **CLAIM**

The ornamental design for an audio mixer, as shown and described.

DESCRIPTION

FIG. 1 is a front, right, and top perspective view of an audio mixer, showing my design.
FIG. 2 is a rear, left, and bottom perspective view thereof.
FIG. 3 is a front elevation view thereof.
FIG. 4 is a rear elevation view thereof.
FIG. 5 is a left side elevation view thereof.
FIG. 6 is a right side elevation view thereof.
FIG. 7 is a top plan view thereof.
FIG. 8 is a bottom plan view thereof.
FIG. 9 is a partial enlarged view of an area labeled 9 in FIG. 1 comprising an adjusting knob.
FIG. 10 is a partial enlarged view of an area labeled 10 in FIG. 1 comprising a heat dissipation part; and,
FIG. 11 is a partial enlarged view of an area labeled 11 in FIG. 1 comprising at least one adjusting knob.
The broken lines shown in the drawings are included for the purpose of illustrating portions of the audio mixer that form no part of the claimed design.

1 Claim, 11 Drawing Sheets



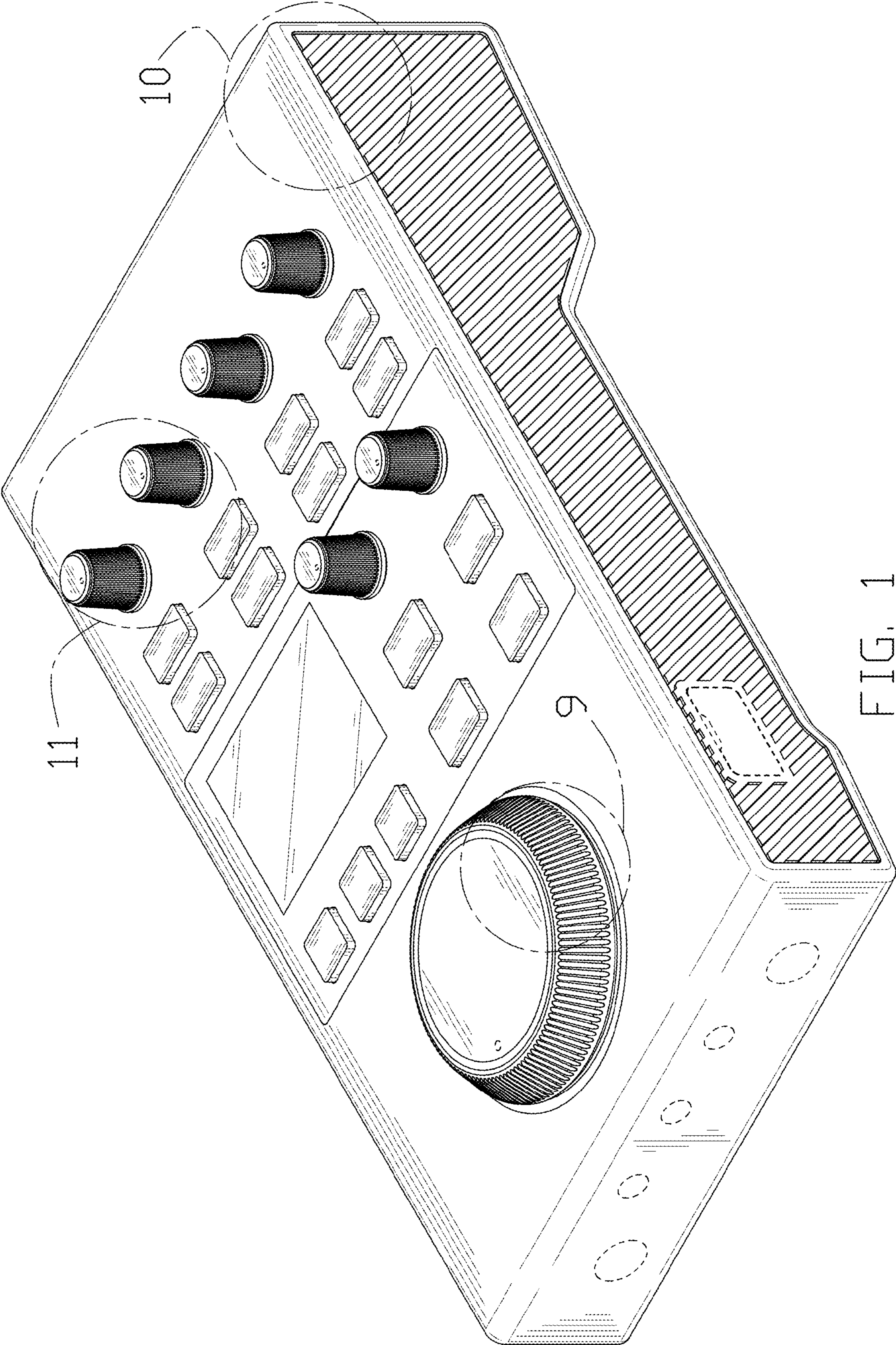


FIG. 1

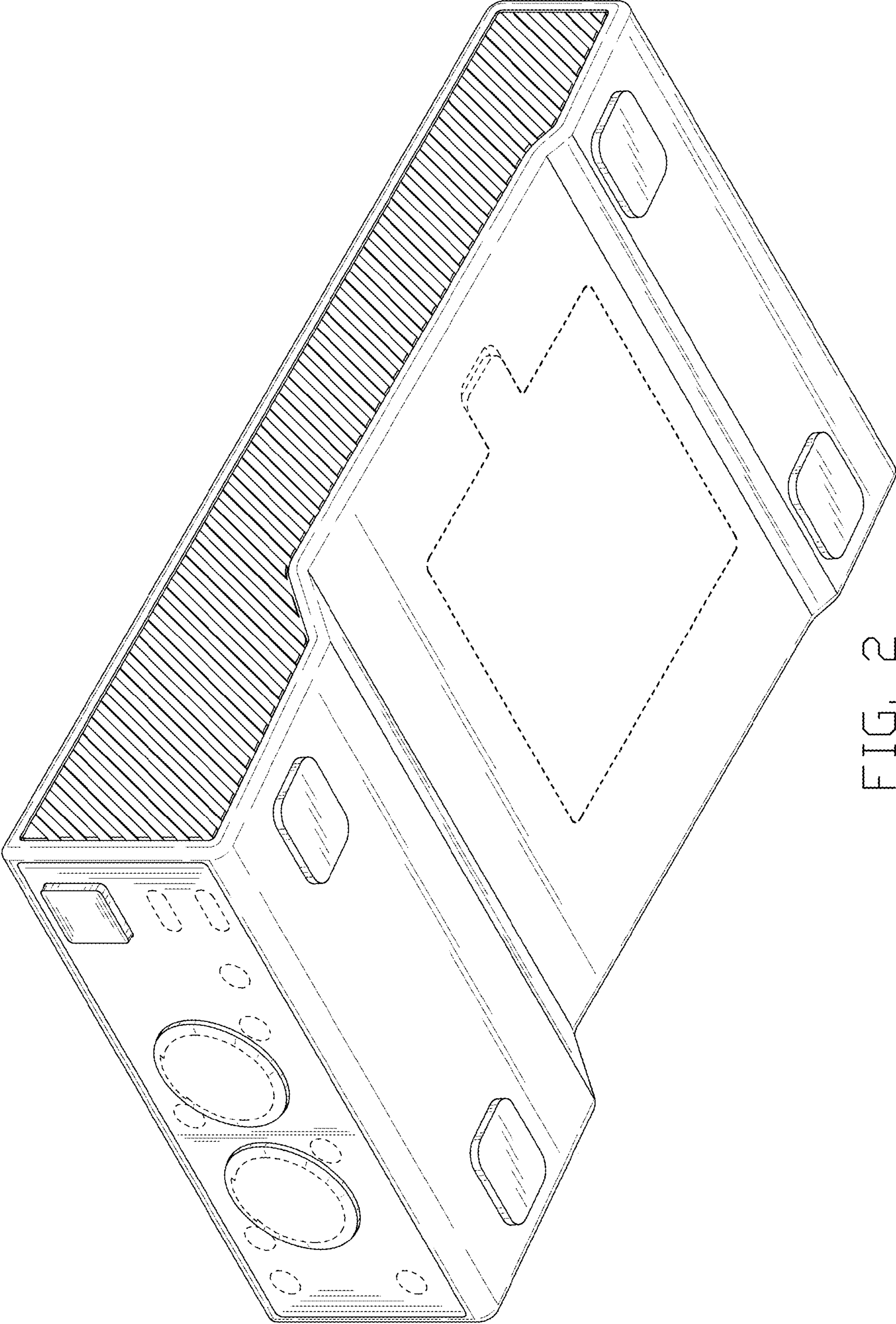


FIG. 2

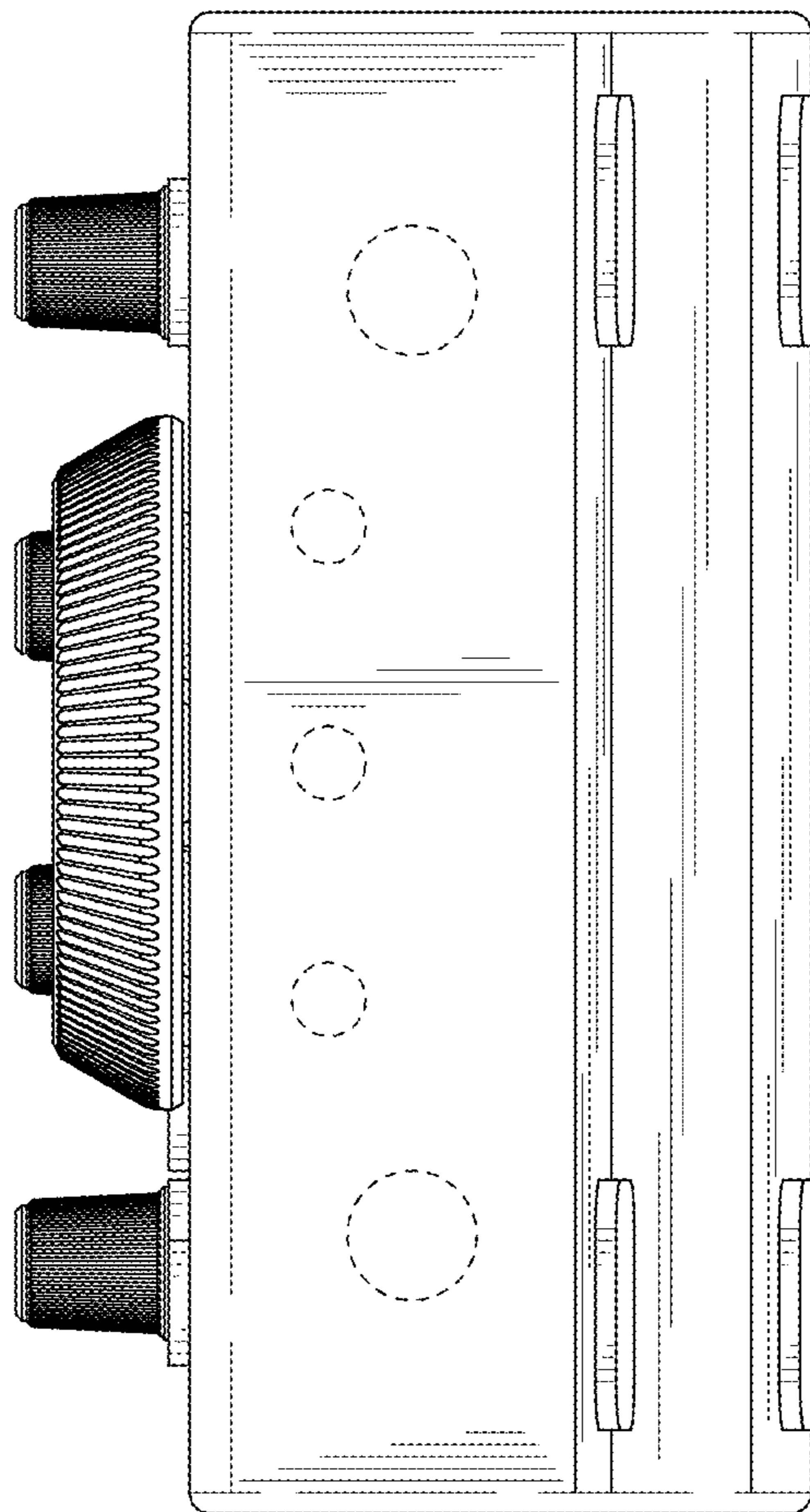


FIG. 3

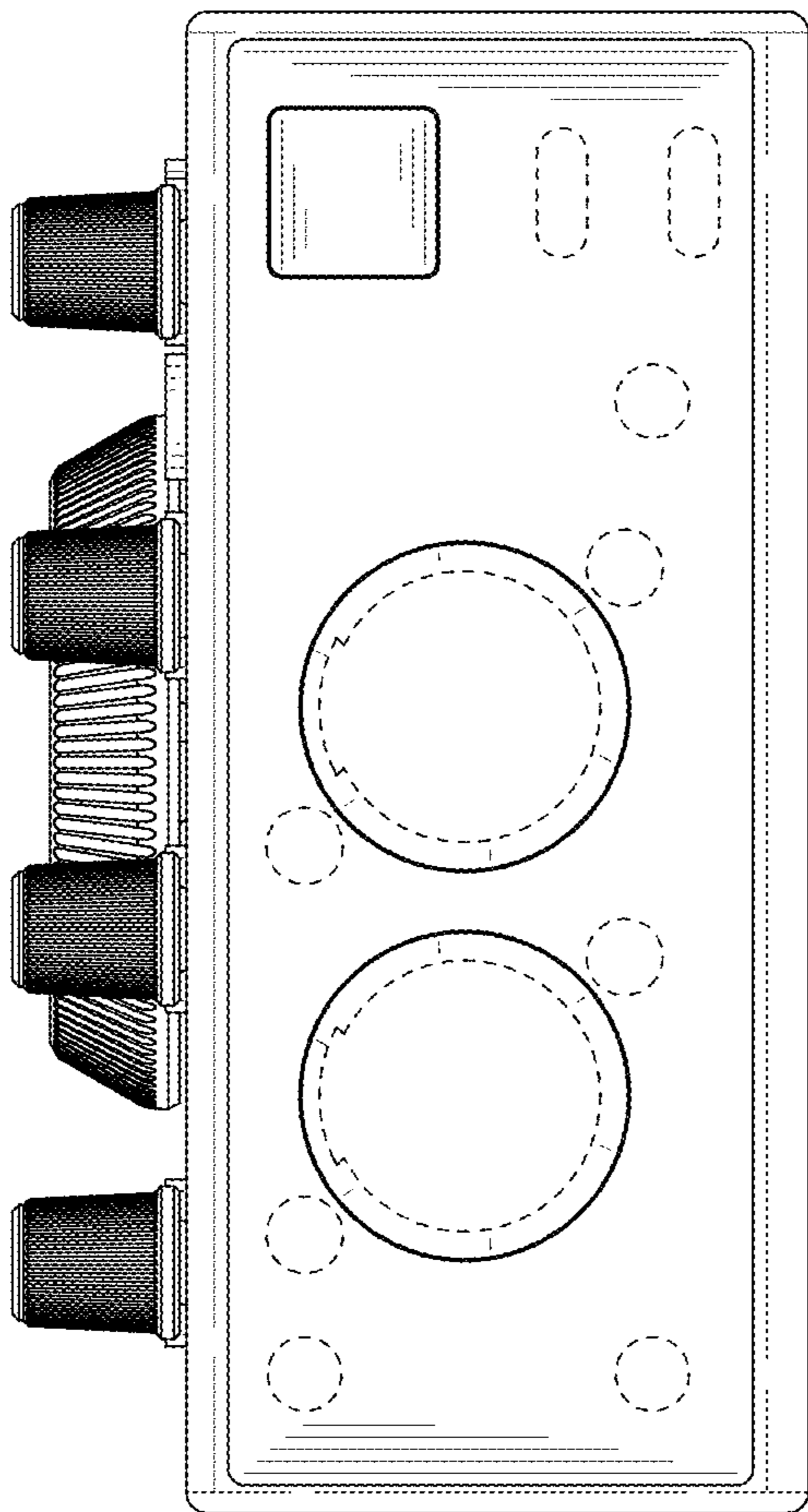


FIG. 4

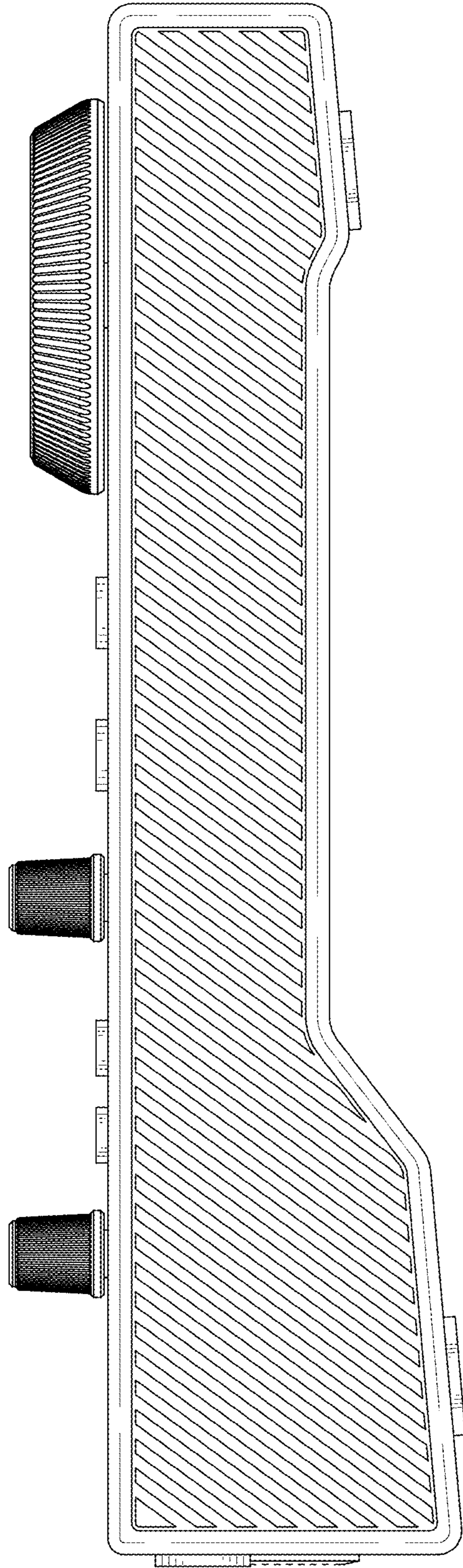


FIG. 5

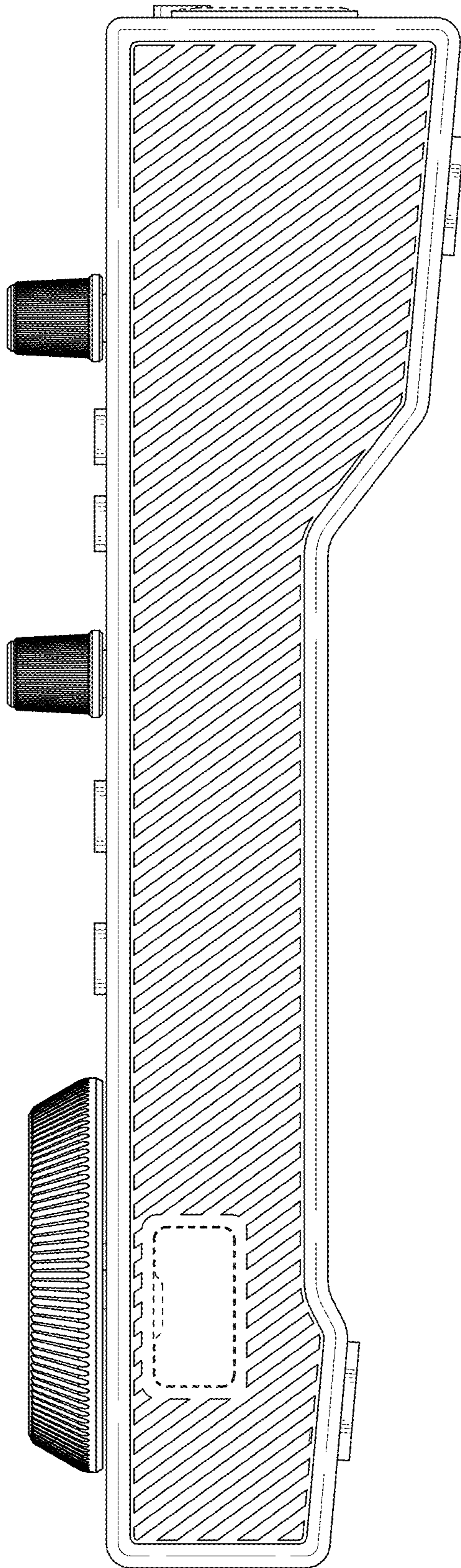


FIG. 6

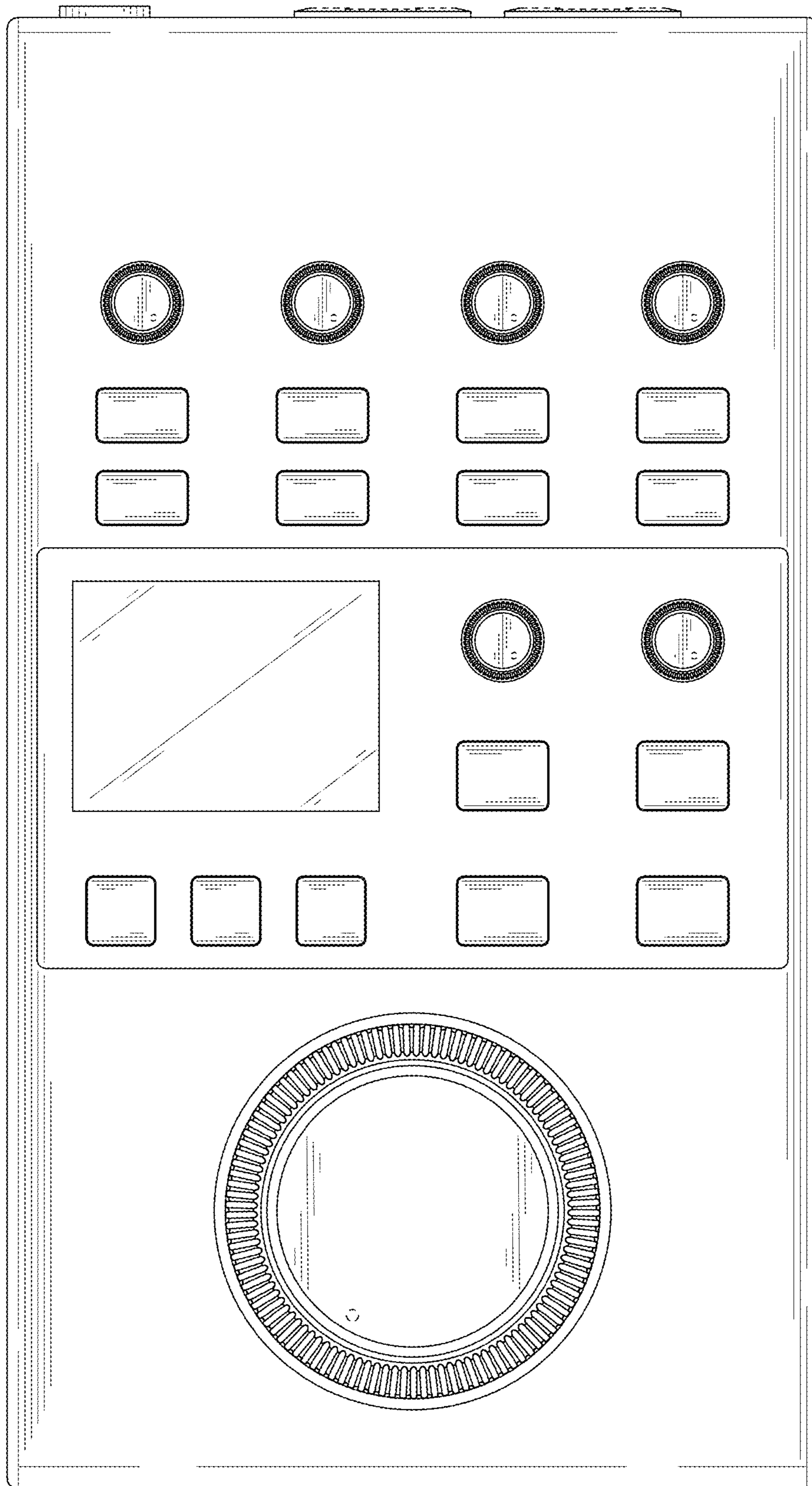


FIG. 7

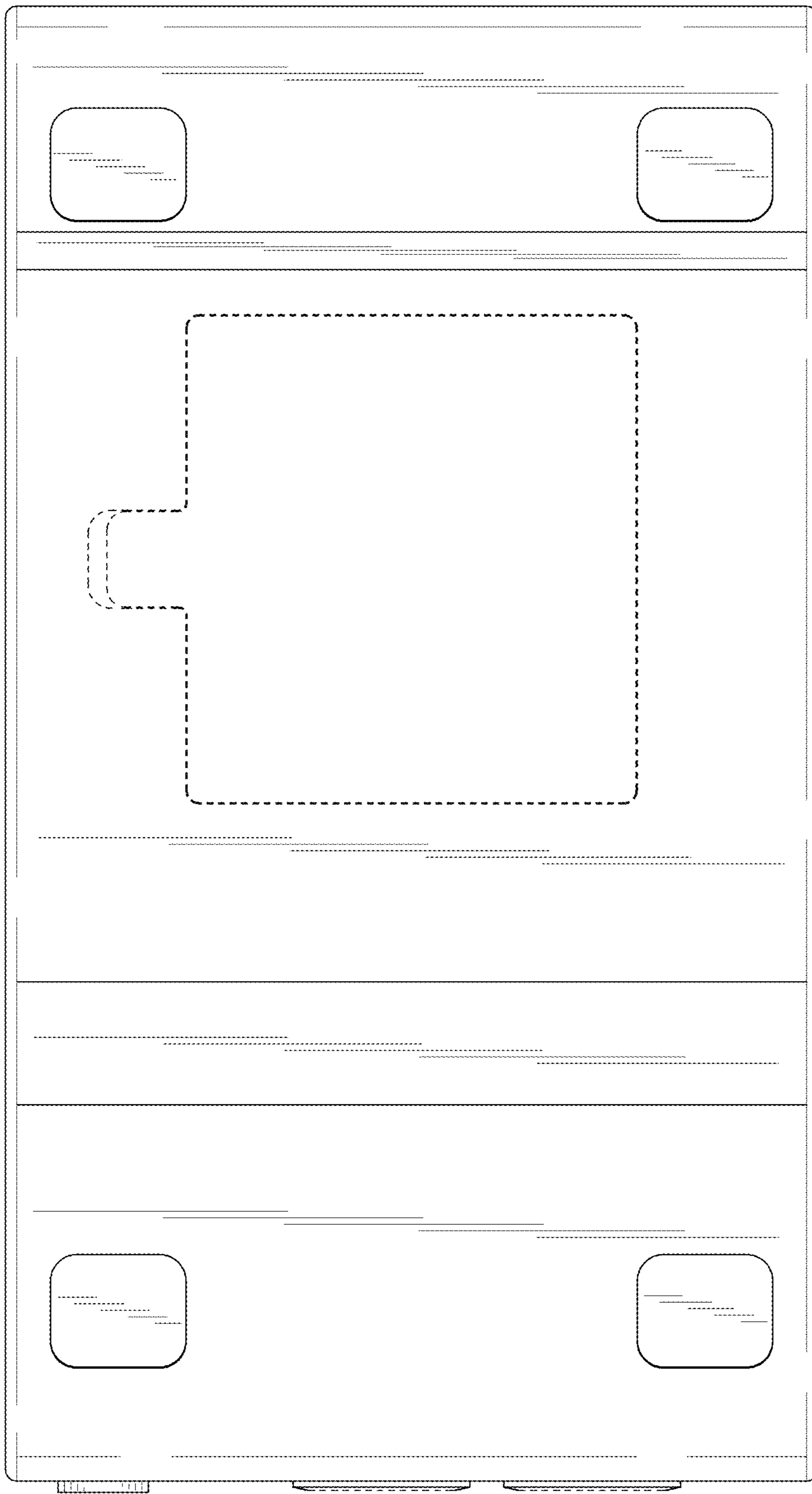


FIG. 8

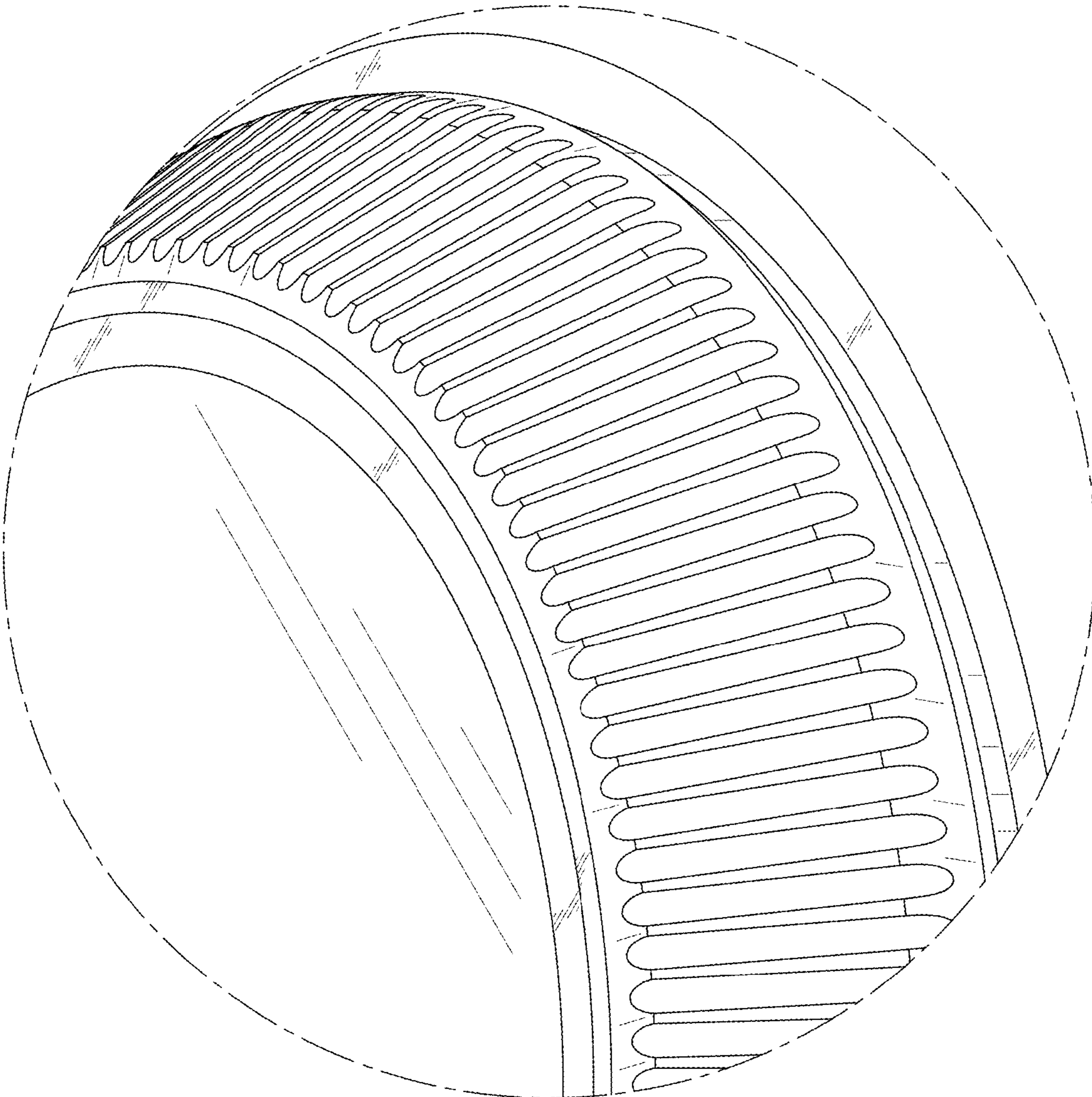


FIG. 9

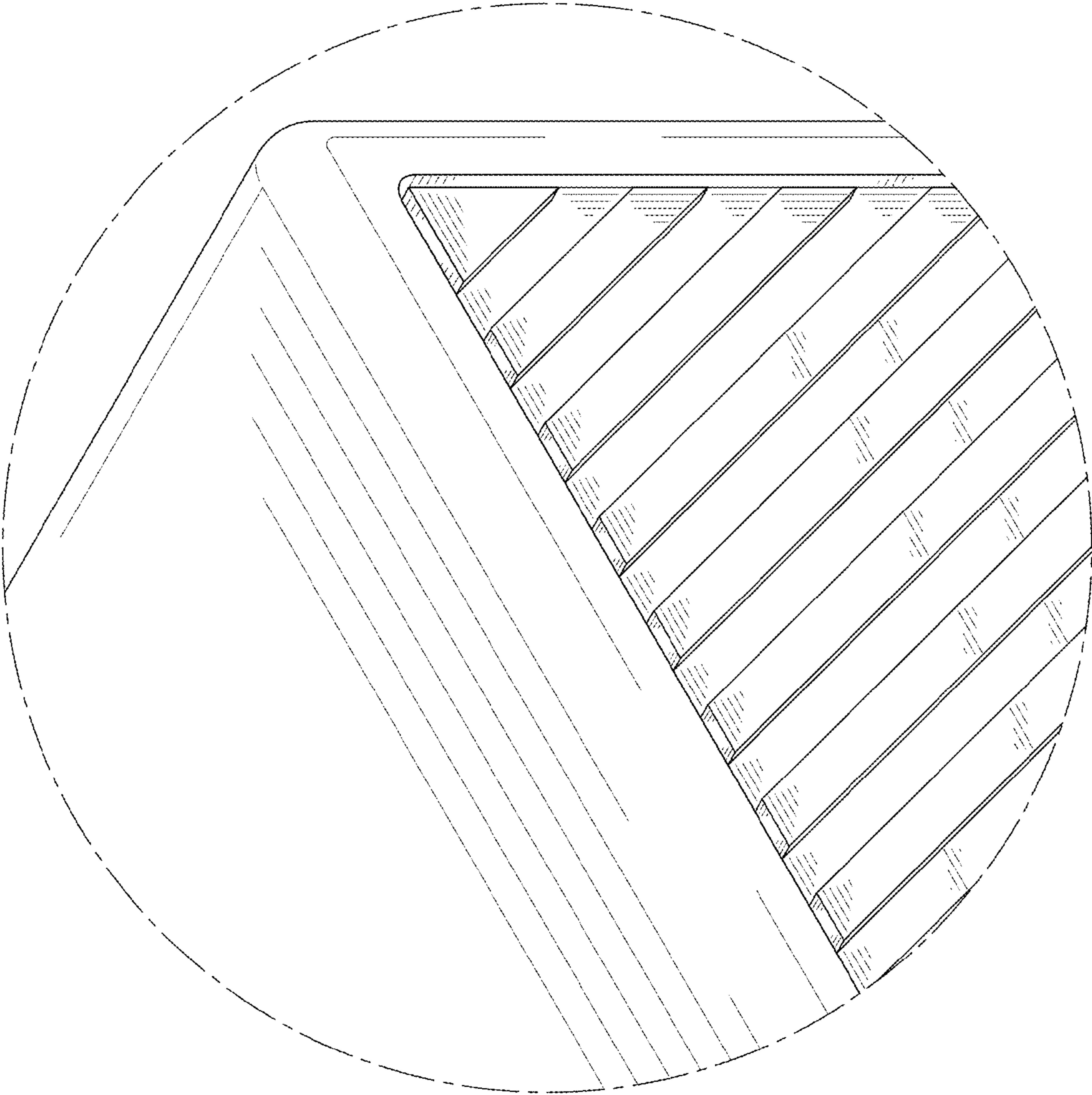


FIG. 10

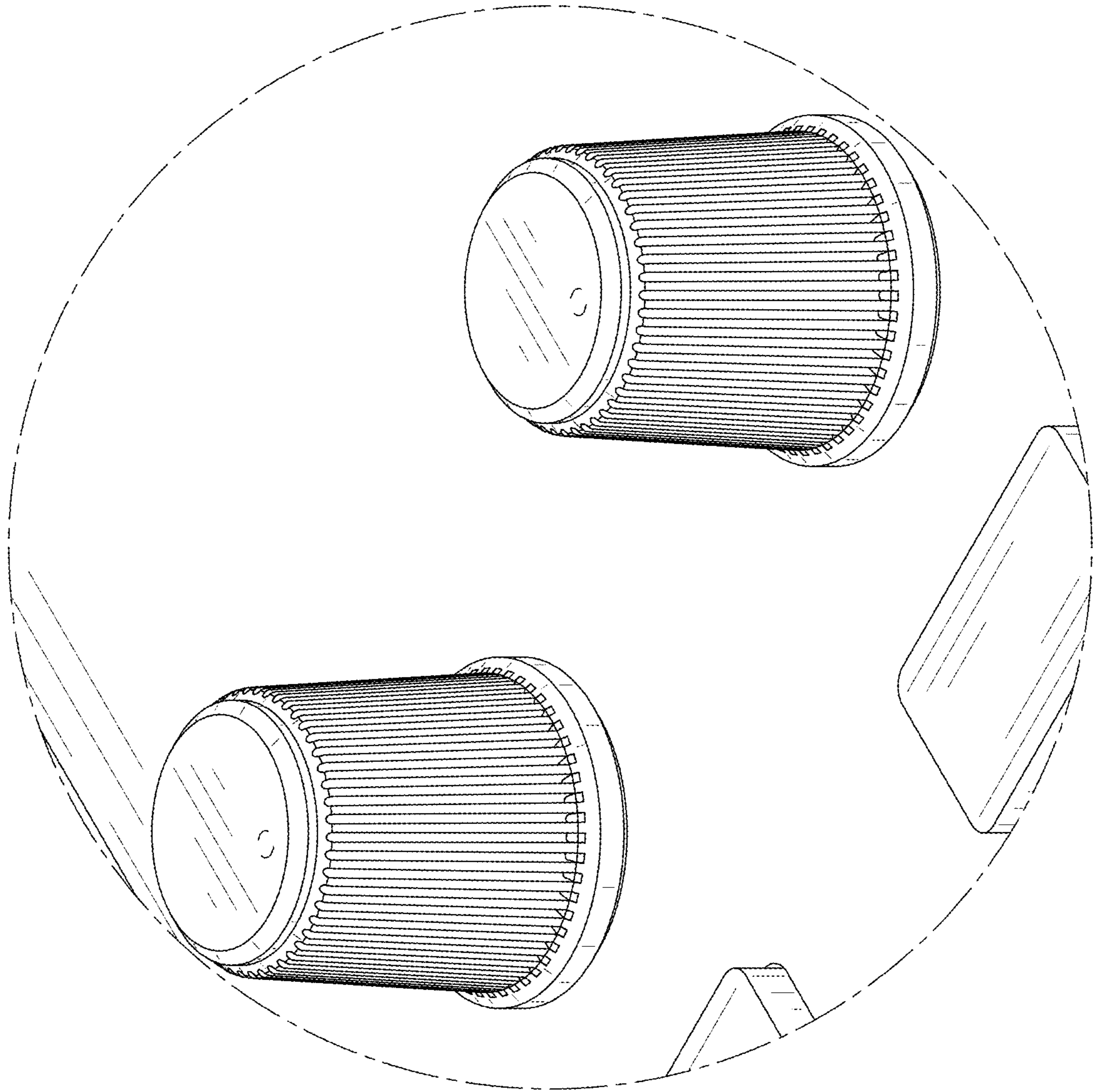


FIG. 11