



US00D978834S

(12) **United States Design Patent**
Lee et al.

(10) **Patent No.:** **US D978,834 S**
(45) **Date of Patent:** **** Feb. 21, 2023**

(54) **INDOOR WALL WITH BUILT-IN HOME APPLIANCES**

H01H 45/04; H01H 45/12; H01H 50/12;
H01H 9/52; H02G 13/40; H02G 3/16

See application file for complete search history.

(71) Applicant: **LG ELECTRONICS INC.**, Seoul (KR)

(56) **References Cited**

(72) Inventors: **Bumsang Lee**, Seoul (KR);
Youngkyoung Kim, Seoul (KR); **Junki Kim**, Seoul (KR); **Taeho Kim**, Seoul (KR); **Junghan Ryu**, Seoul (KR); **Kyusuh Park**, Seoul (KR); **Chulmin Lim**, Seoul (KR); **Mijin Jung**, Seoul (KR); **Junghyun Joo**, Seoul (KR); **Jipyo Hong**, Seoul (KR)

U.S. PATENT DOCUMENTS

D549,311 S	*	8/2007	Yoo	D23/351
D551,744 S	*	9/2007	Yoo	D23/351
D552,042 S	*	10/2007	Mayo	D13/164
D558,864 S	*	1/2008	Yoo	D23/351
D558,865 S	*	1/2008	Yoo	D23/351
D636,474 S	*	4/2011	Choi	D23/351
D650,784 S	*	12/2011	Feldstein	D14/434
D690,661 S	*	10/2013	Wisniewski	D13/162
D691,251 S	*	10/2013	Couture	D23/342
D818,800 S	*	5/2018	Poulheim	D8/353

(Continued)

(73) Assignee: **LG ELECTRONICS INC.**, Seoul (KR)

Primary Examiner — Khawaja Anwar

(**) Term: **15 Years**

(74) *Attorney, Agent, or Firm* — Birch, Stewart, Kolasch & Birch, LLP

(21) Appl. No.: **29/729,460**

(22) Filed: **Mar. 26, 2020**

(57) **CLAIM**

(30) **Foreign Application Priority Data**

The ornamental design for an indoor wall with built-in home appliances, as shown and described.

Sep. 26, 2019 (KR) 30-2019-0046497

DESCRIPTION

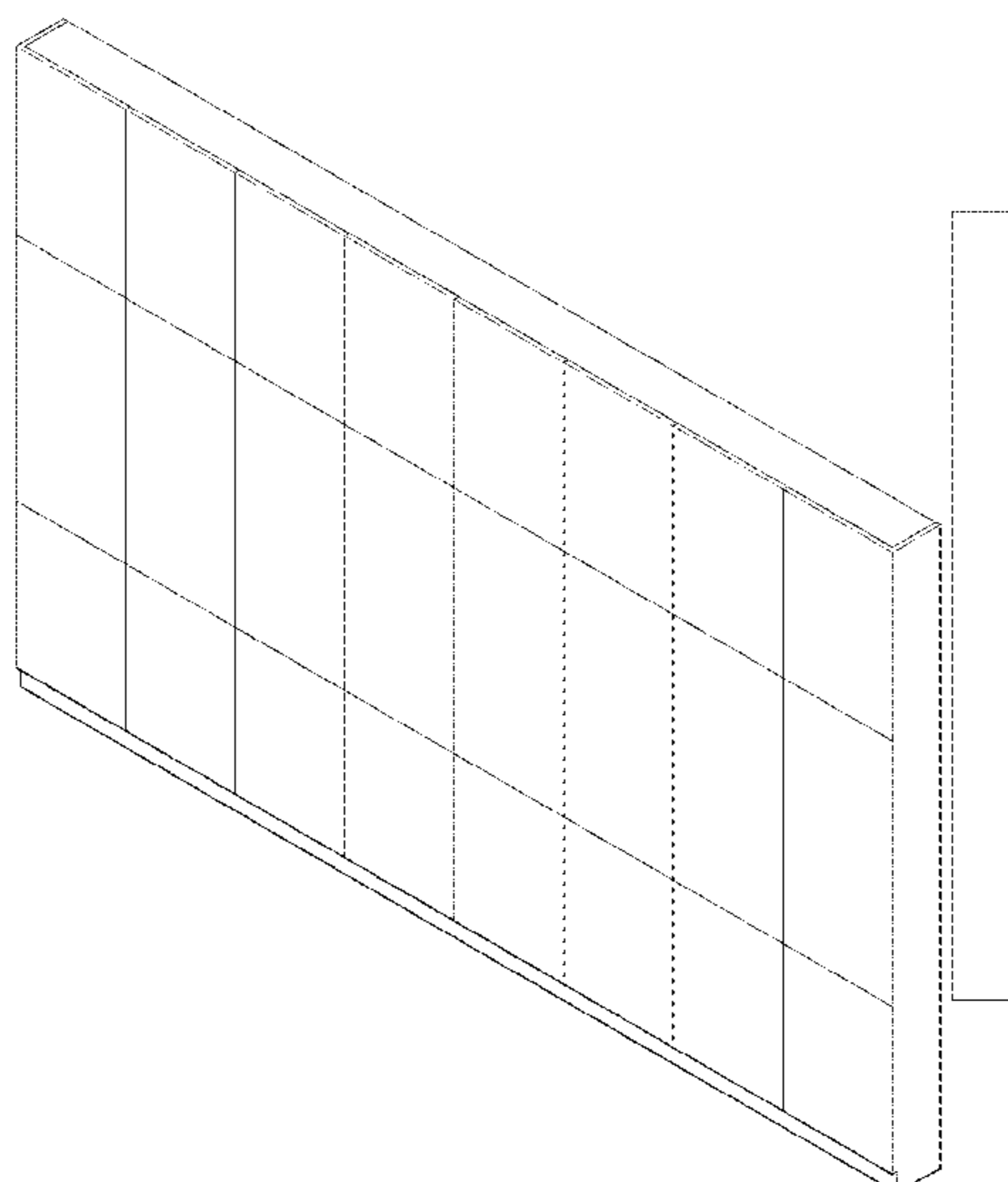
(51) **LOC (14) Cl.** **14-03**

(52) **U.S. Cl.**
USPC **D14/217; D25/58**

(58) **Field of Classification Search**
USPC D13/162, 164, 171, 177, 199; D14/336, D14/371, 374, 389, 432-434, 217; D23/351-354, 385, 355, 357, 361; D25/58, 138, 199; D6/329, 352, 553, D6/559, 672, 673, 675
CPC H05B 47/105; H05B 45/10; H05B 45/20; H05B 47/19; H05B 1/0236; H05B 1/0275; H05B 2203/026; H05B 45/00; H05B 47/11; H05B 47/155; H05B 47/16; H05B 47/175; H05B 6/6447; H05B 6/6473; H05B 6/782; H01H 2239/036;

FIG. 1 is a front perspective view of the indoor wall with built-in home appliances showing our new design;
FIG. 2 is a front view thereof;
FIG. 3 is a rear view thereof;
FIG. 4 is a left side view thereof where the right side view is a mirror image;
FIG. 5 is a top view thereof;
FIG. 6 is a bottom view thereof; and,
FIG. 7 shows the indoor wall with built-in home appliances in a state of use, wherein the broken line showing of the widgets are displayed on the front right upper part and depicts environmental subject matter which forms no part of the claimed design.

1 Claim, 7 Drawing Sheets



(56)

References Cited

U.S. PATENT DOCUMENTS

D825,492	S	*	8/2018	Mosolygo	D13/164
D831,582	S	*	10/2018	Poulheim	D13/162
D831,583	S	*	10/2018	Poulheim	D13/162
D832,225	S	*	10/2018	Poulheim	D13/162
D832,226	S	*	10/2018	Poulheim	D13/162
D833,987	S	*	11/2018	Poulheim	D13/164
D834,535	S	*	11/2018	Poulheim	D13/162
D834,536	S	*	11/2018	Poulheim	D13/162
D834,537	S	*	11/2018	Poulheim	D13/162
D834,538	S	*	11/2018	Poulheim	D13/162
D834,539	S	*	11/2018	Poulheim	D13/164
D834,540	S	*	11/2018	Poulheim	D13/164
D835,051	S	*	12/2018	Poulheim	D13/162
D900,062	S	*	10/2020	Park	D14/217
D900,063	S	*	10/2020	Park	D14/217
D901,314	S	*	11/2020	Atwood	D10/50
D906,291	S	*	12/2020	Park	D14/217
D922,670	S	*	6/2021	Wendling	D26/138
D940,104	S	*	1/2022	Kim	D14/217
D940,105	S	*	1/2022	Kim	D14/217
D941,265	S	*	1/2022	Kim	D14/217
D941,266	S	*	1/2022	Kim	D14/217
D941,267	S	*	1/2022	Kim	D14/217
D941,268	S	*	1/2022	Kim	D14/217
D941,817	S	*	1/2022	Lee	D14/373
D963,889	S	*	9/2022	Park	D25/58
D963,890	S	*	9/2022	Park	D25/58
2004/0164966	A1	*	8/2004	Lee	G06F 3/0488
						345/173
2017/0025835	A1	*	1/2017	Johnson	H02G 3/14

* cited by examiner

FIG. 1

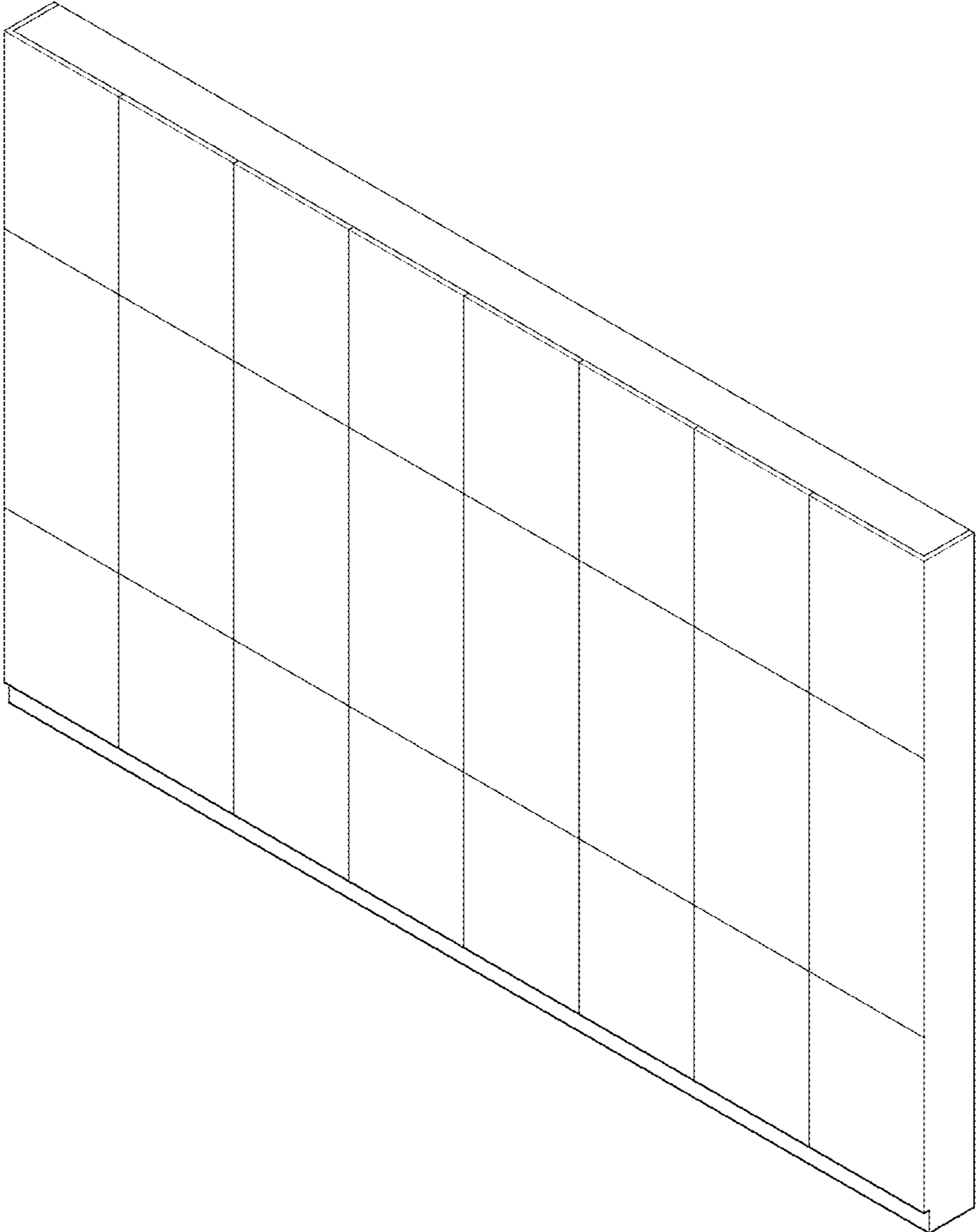


FIG. 2

FIG. 3



FIG. 4



FIG. 5



FIG. 6

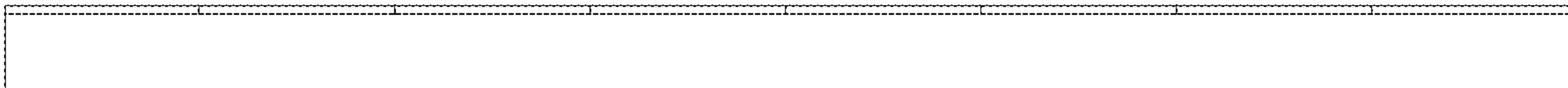


FIG. 7

