



US00D978831S

(12) **United States Design Patent** (10) **Patent No.:** **US D978,831 S**
Ishibashi et al. (45) **Date of Patent:** **** Feb. 21, 2023**

(54) **SPEAKER WITH LIGHTING UNIT**

FOREIGN PATENT DOCUMENTS

(71) Applicant: **CANON DENSHI KABUSHIKI KAISHA**, Saitama (JP)

CN 202130041068.5 * 4/2022

(72) Inventors: **Masaaki Ishibashi**, Hino (JP);
Masahiro Kando, Tokyo (JP);
Tsutomu Yoshihara, Kawasaki (JP);
Minoru Tsuruta, Chichibu (JP);
Hiroyuki Nakamura, Tokyo (JP)

OTHER PUBLICATIONS

[Canon albos Light & Speaker—Raised 23M yen with crowdfunding! High Quality Lighting and Speaker!], announced in YouTube on Jun. 25, 2022 [online], [site visited Sep. 16, 2022], Available from the internet URL: <https://www.youtube.com/watch?v=hmeVASoQbvo> (Year: 2022).*

(73) Assignee: **Canon Denshi Kabushiki Kaisha**, Saitama (JP)

Primary Examiner — Khawaja Anwar

Assistant Examiner — Megan Tiana Rakos

(**) Term: **15 Years**

(74) *Attorney, Agent, or Firm* — Venable LLP

(21) Appl. No.: **29/767,038**

(22) Filed: **Jan. 20, 2021**

(57) **CLAIM**

The ornamental design for a speaker with lighting unit, as shown and described.

(30) **Foreign Application Priority Data**

Jul. 21, 2020 (JP) 2020-015164 D
Jan. 4, 2021 (JP) 2021-000019 D

DESCRIPTION

(51) **LOC (14) Cl.** **14-01**

(52) **U.S. Cl.**
USPC **D14/216**

(58) **Field of Classification Search**
USPC ... D14/204, 209.1, 213, 214, 215, 216, 358,
D14/496, 242, 314, 240, 210, 217, 209,
D14/433, 222, 203.1; D26/37, 49, 40, 42
CPC H04R 1/021; H04R 1/025; H04R 1/026;
H04R 2201/02
See application file for complete search history.

FIG. 1 is a perspective view of a first embodiment of the speaker with lighting unit showing our new design;
FIG. 2 is a front view thereof;
FIG. 3 is a rear view thereof;
FIG. 4 is a plan view thereof;
FIG. 5 is a bottom view thereof;
FIG. 6 is a right side view thereof;
FIG. 7 is a left side view thereof;
FIG. 8 is a perspective view of a second embodiment of the speaker with lighting unit;
FIG. 9 is a front view thereof;
FIG. 10 is a rear view thereof;
FIG. 11 is a plan view thereof;
FIG. 12 is a bottom view thereof;
FIG. 13 is a right side view thereof; and,
FIG. 14 is a left side view thereof.
The broken lines illustrate portions of the speaker with lighting unit that form no part of the claimed design.

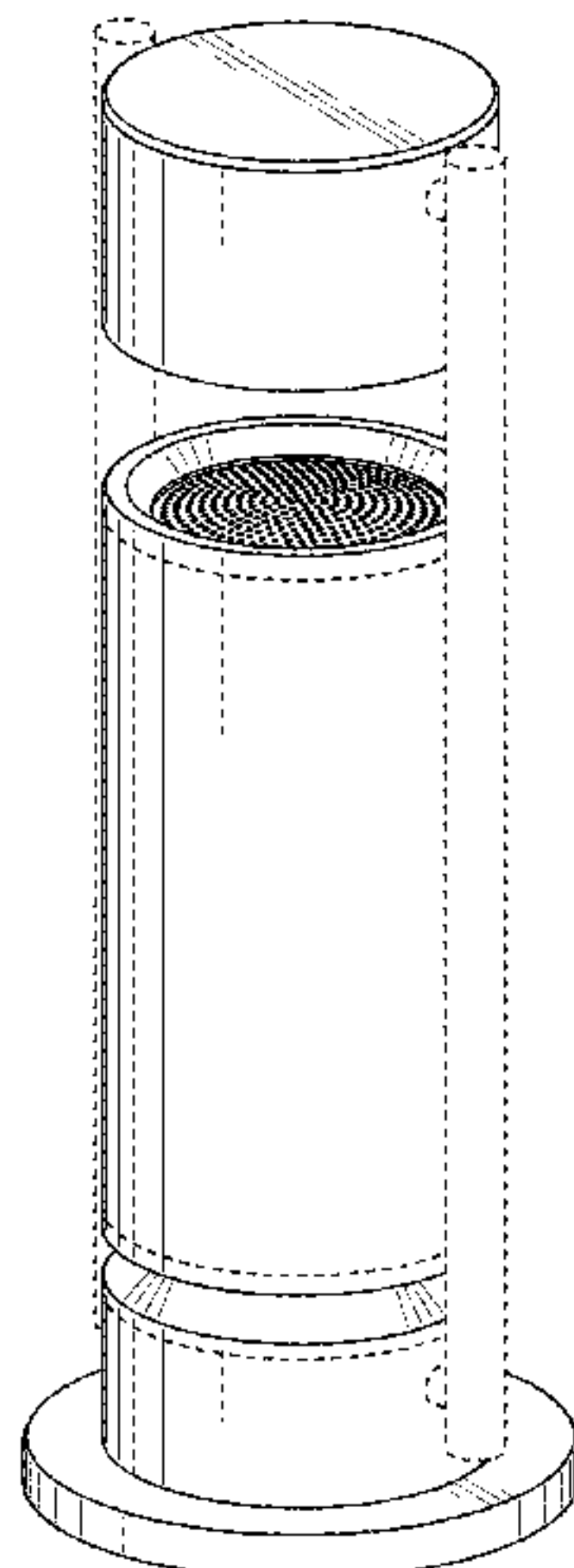
(56) **References Cited**

U.S. PATENT DOCUMENTS

D360,635 S * 7/1995 Mark D14/212
D435,540 S * 12/2000 Peng D14/216
D490,400 S * 5/2004 Geeng D14/215
D534,525 S * 1/2007 Peng D14/216
D567,213 S * 4/2008 Prince D14/215
D568,292 S * 5/2008 Tsuge D14/216

(Continued)

1 Claim, 12 Drawing Sheets



(56)

References Cited

U.S. PATENT DOCUMENTS

D842,842 S * 3/2019 Lee D14/216
D905,007 S * 12/2020 Yu D14/209.1
D905,012 S * 12/2020 Lee D14/216
D939,471 S * 12/2021 Chen D14/216

* cited by examiner

FIG. 1

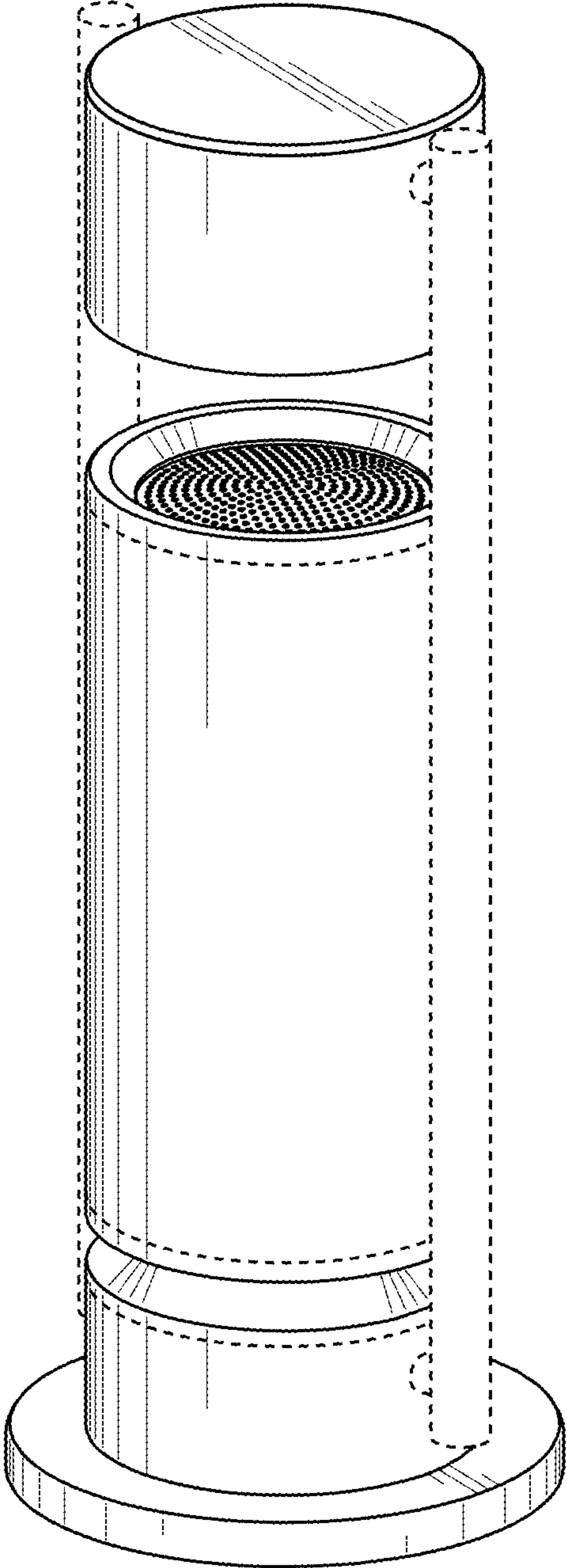


FIG. 2

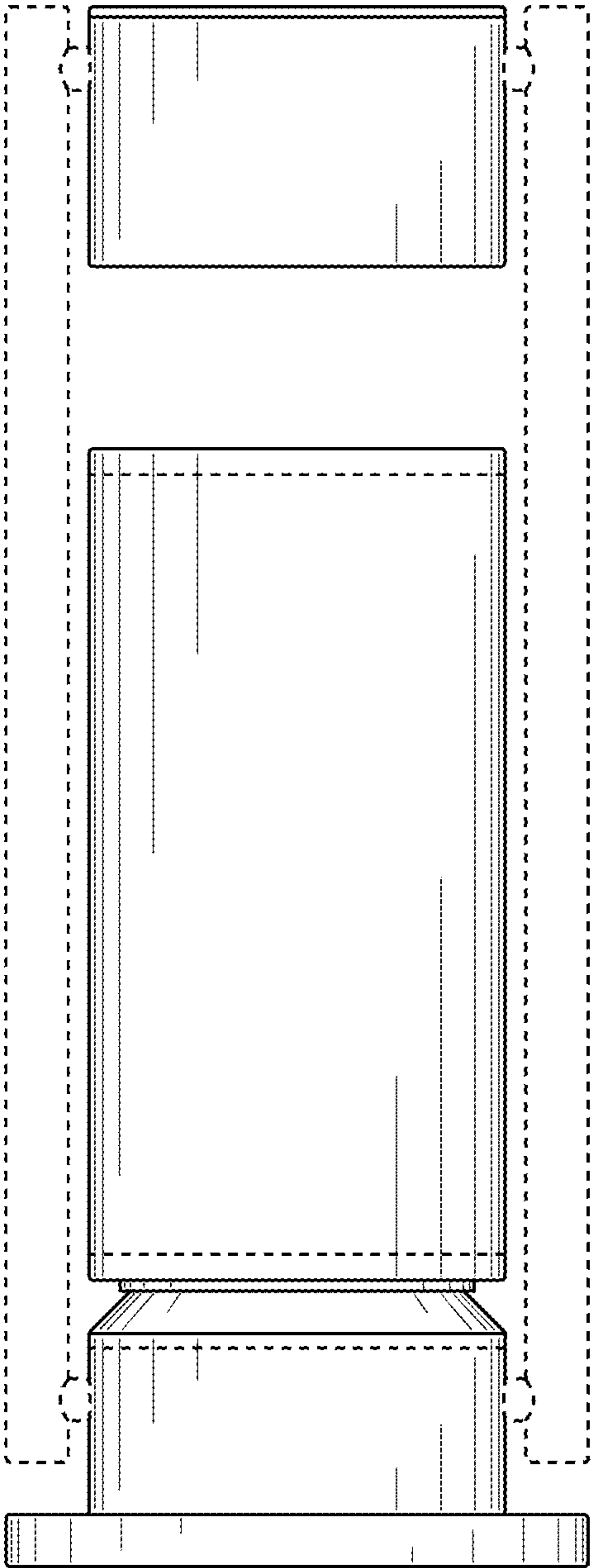


FIG. 3

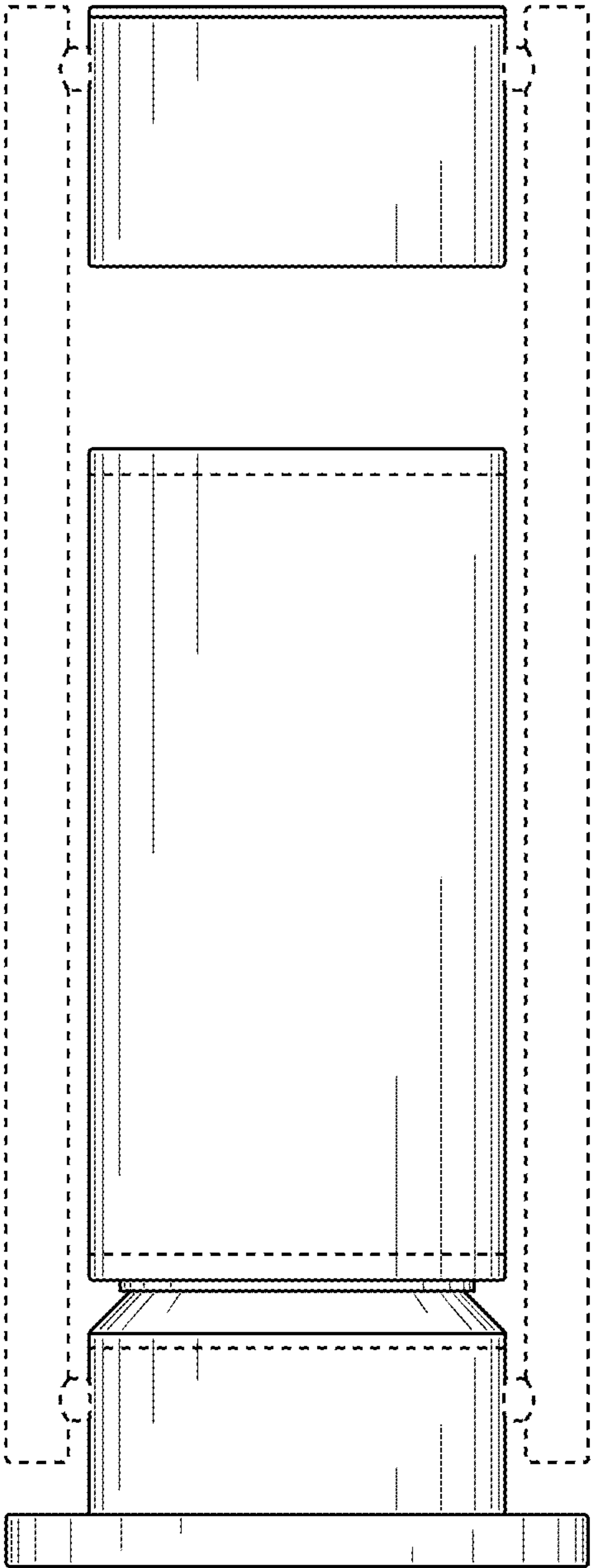


FIG. 4

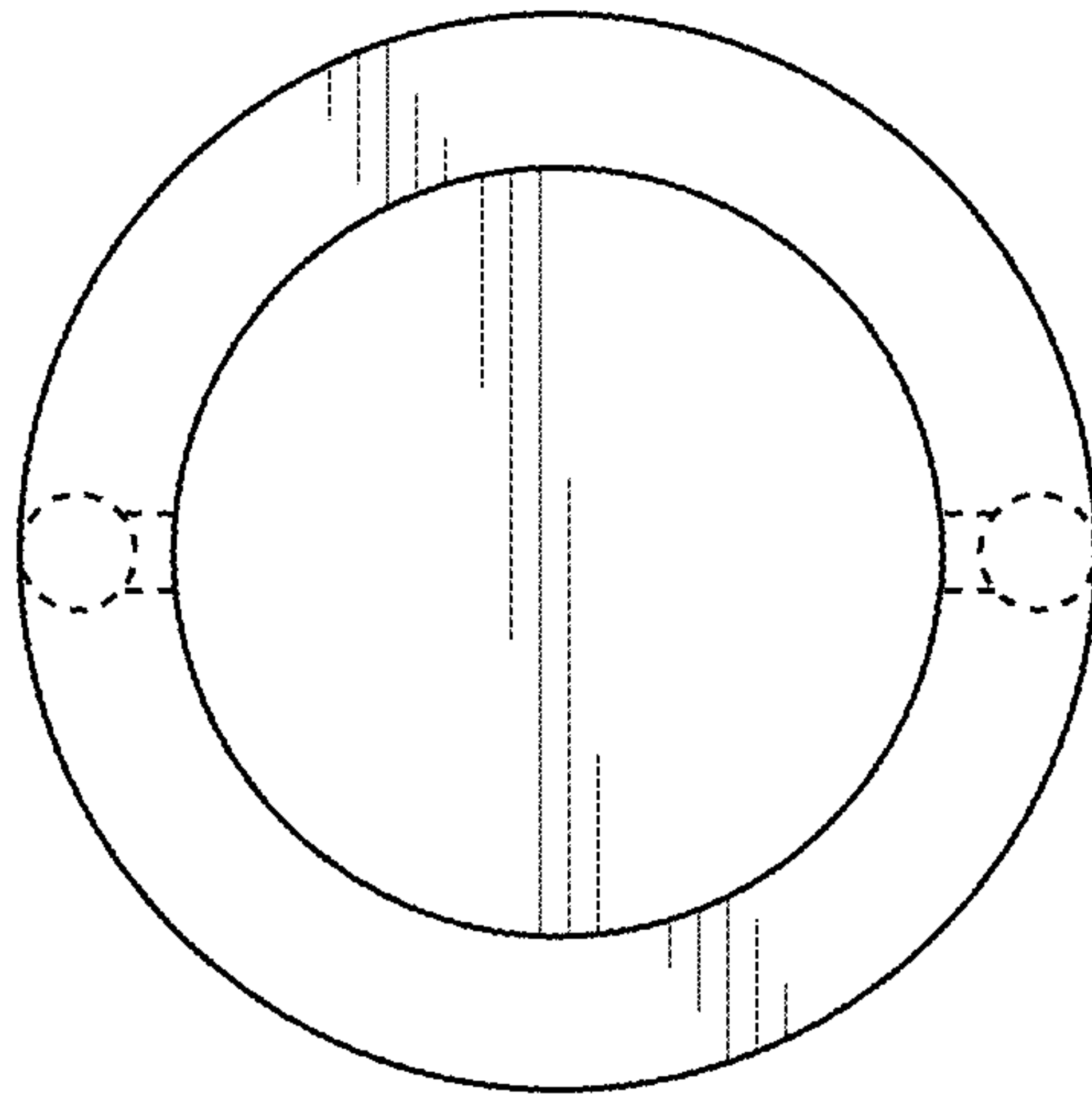


FIG. 5

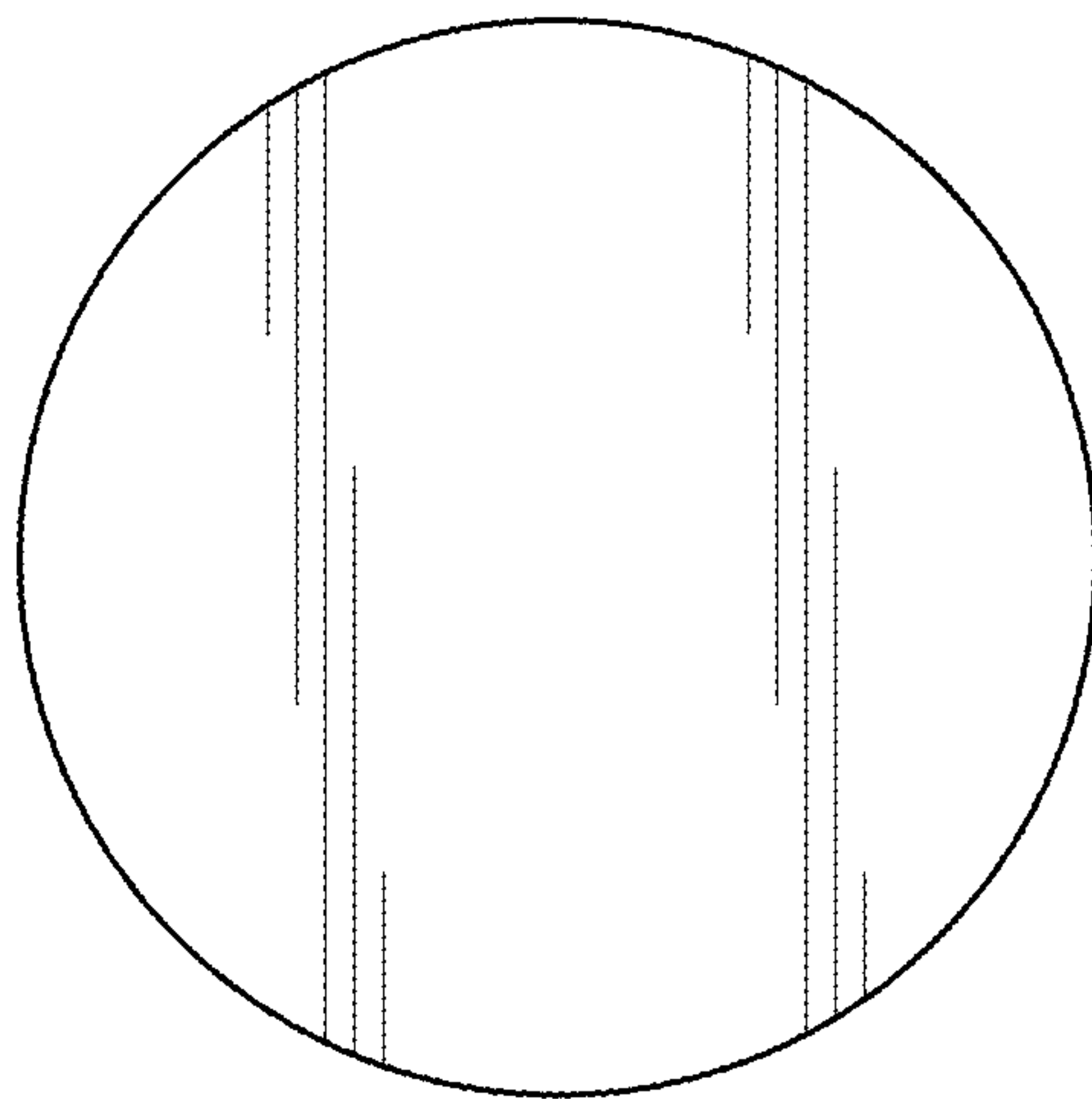


FIG. 6

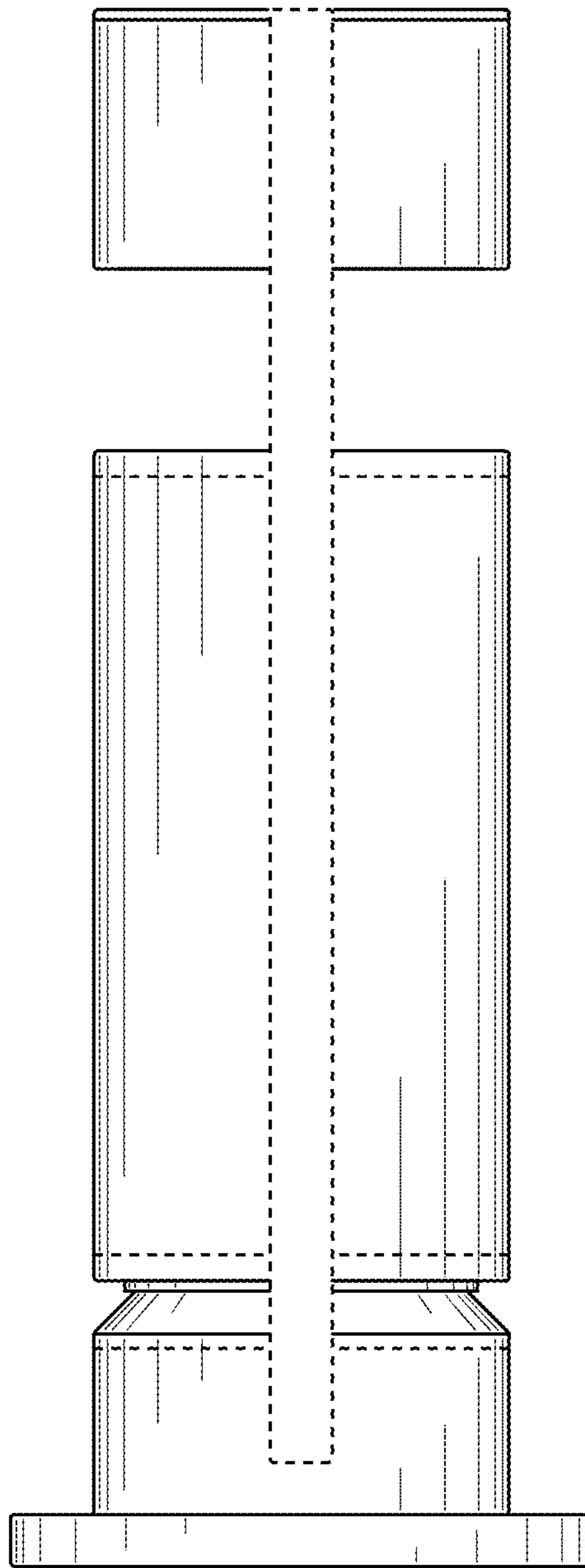


FIG. 7

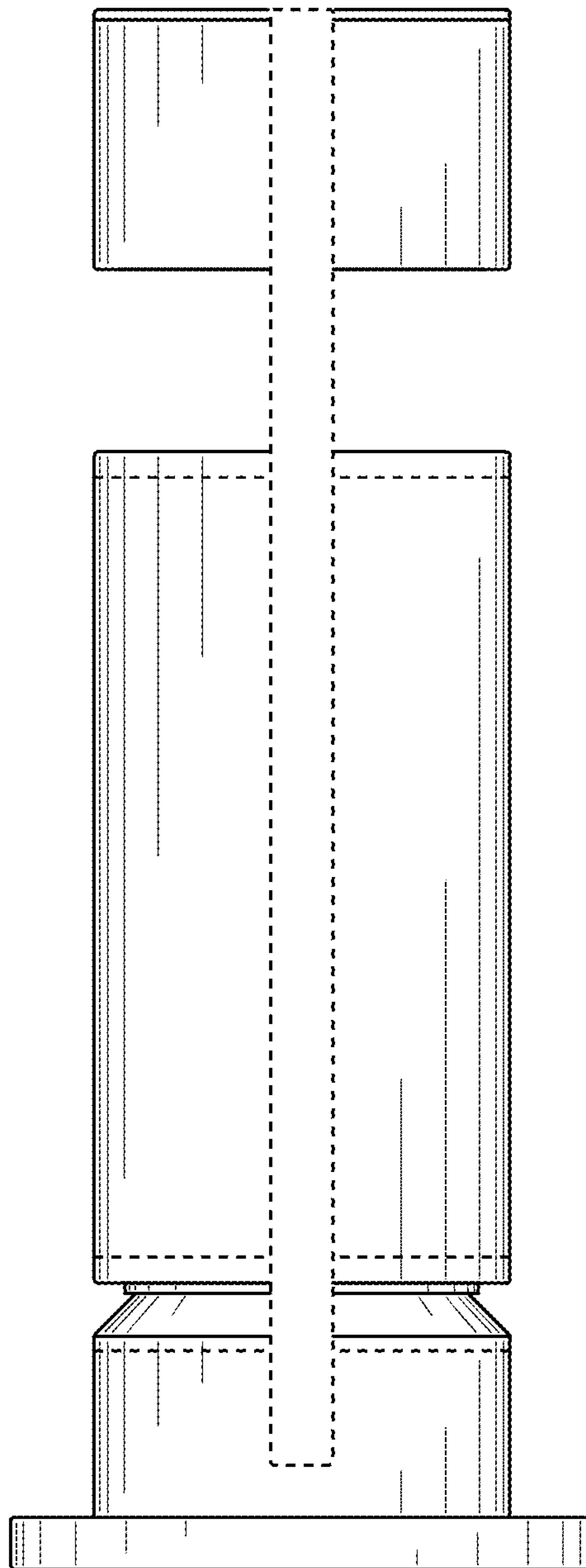


FIG. 8

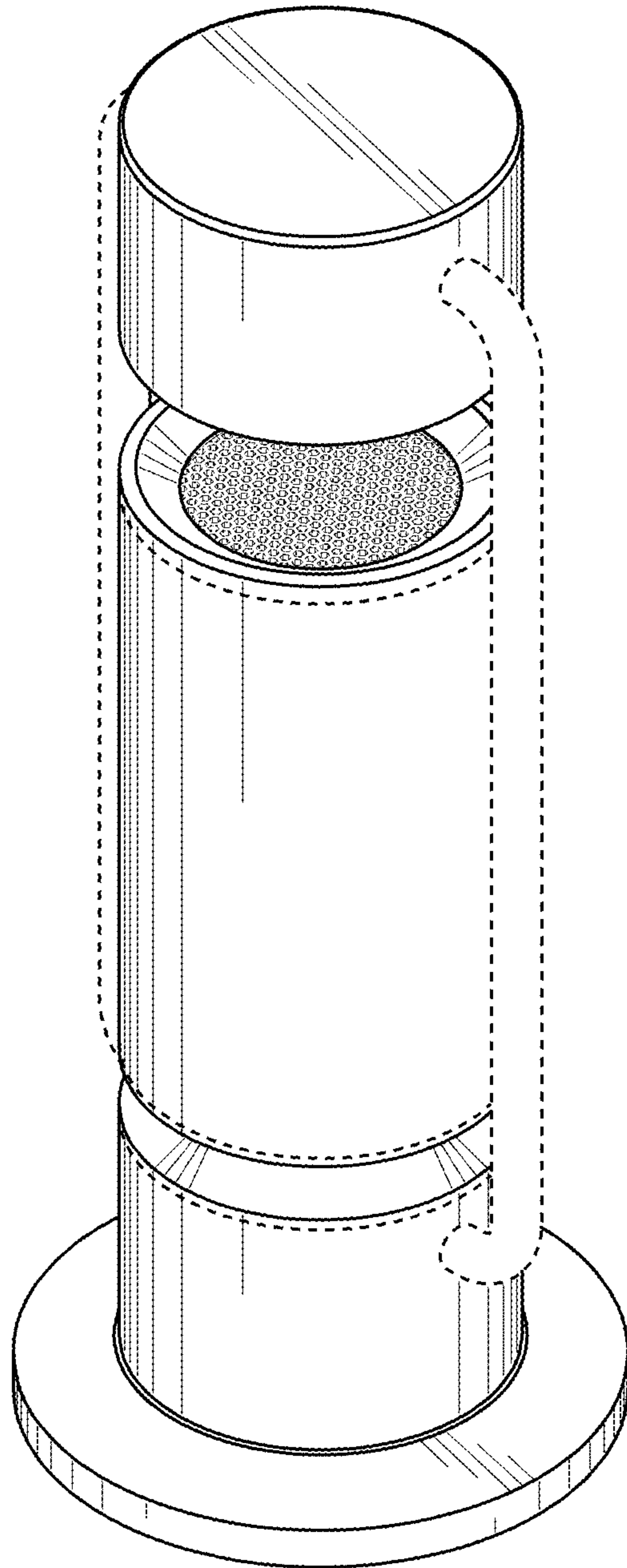


FIG. 9

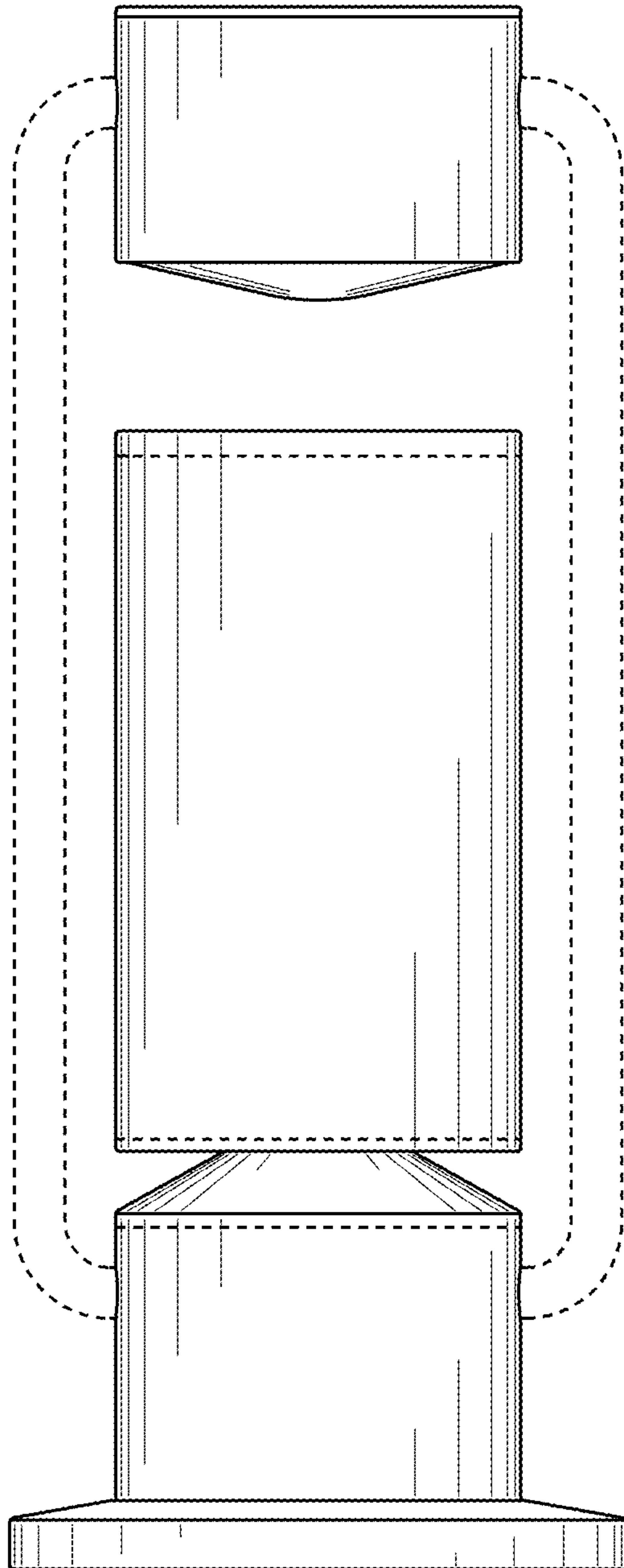


FIG. 10

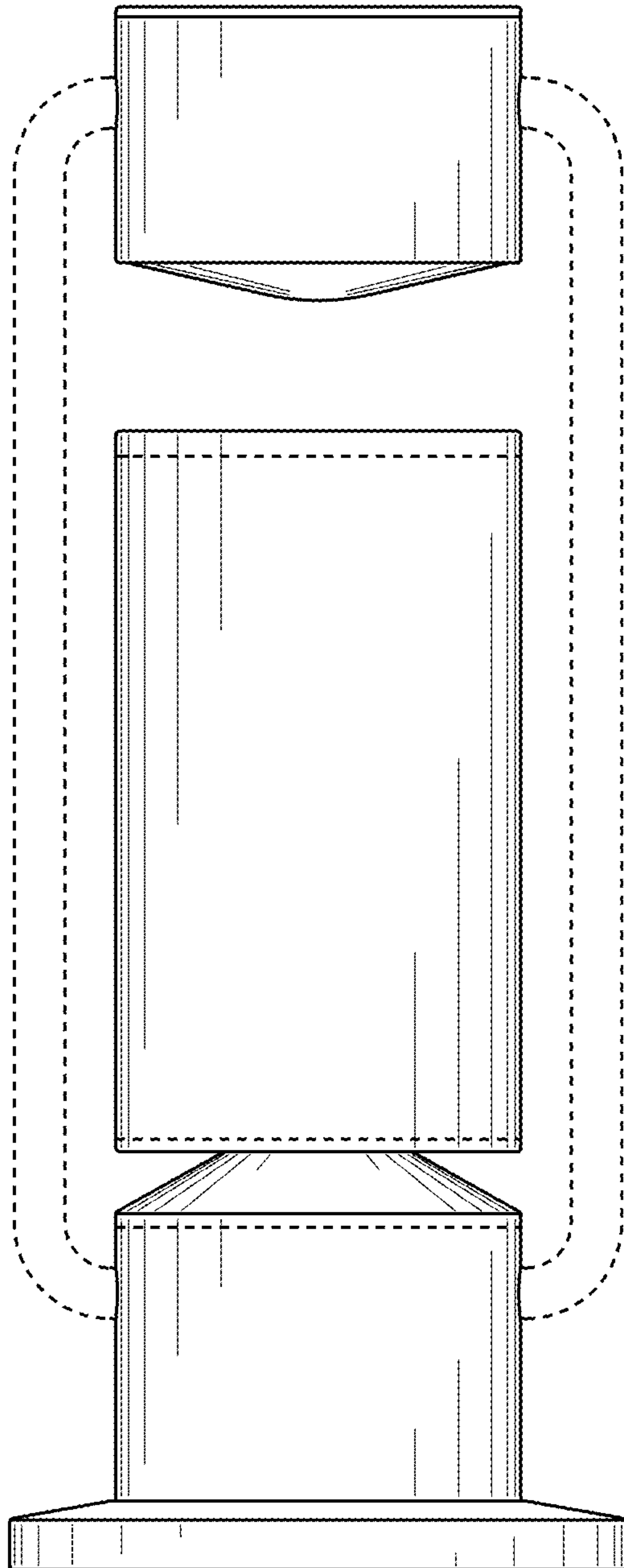


FIG. 11

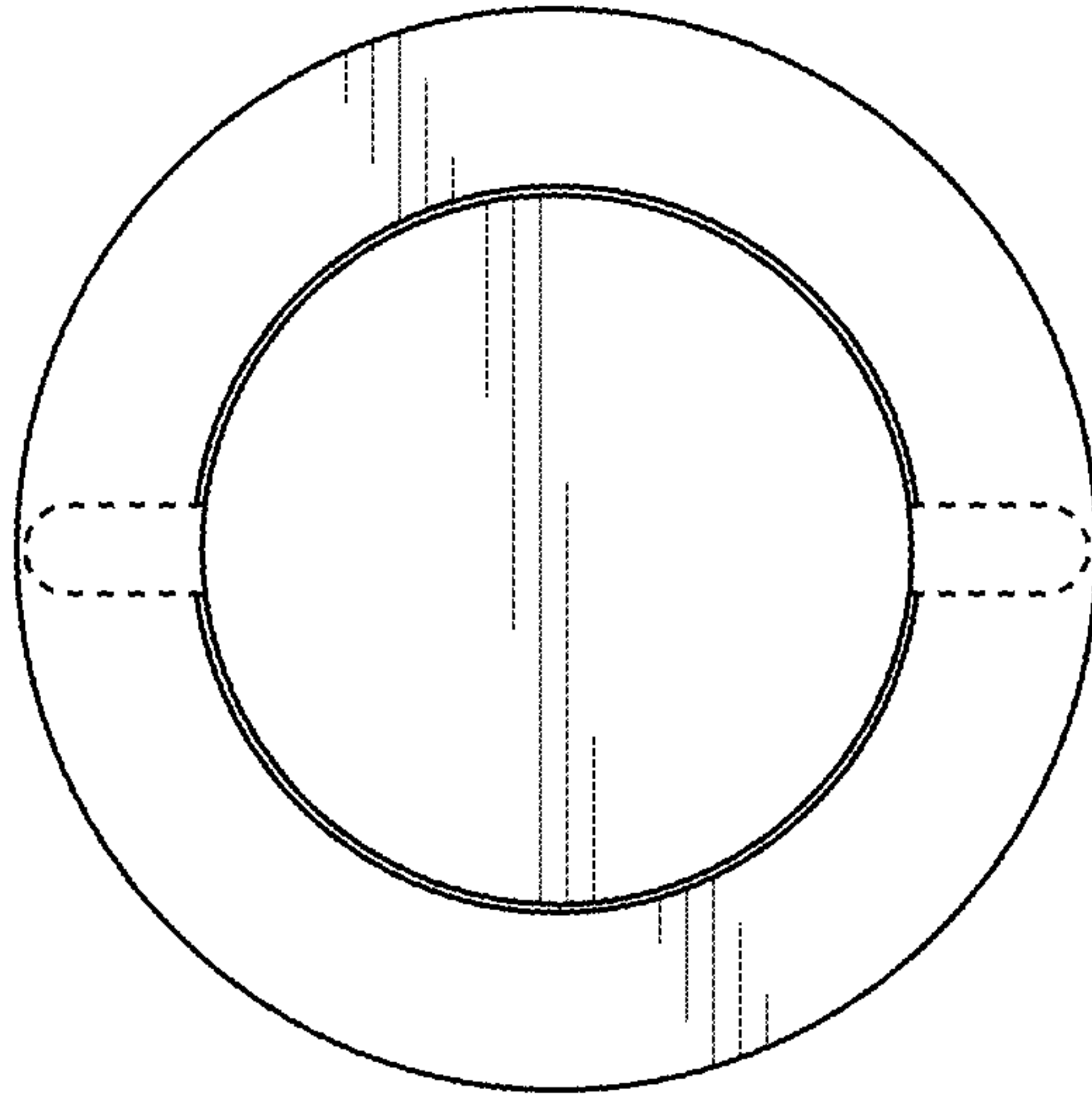


FIG. 12

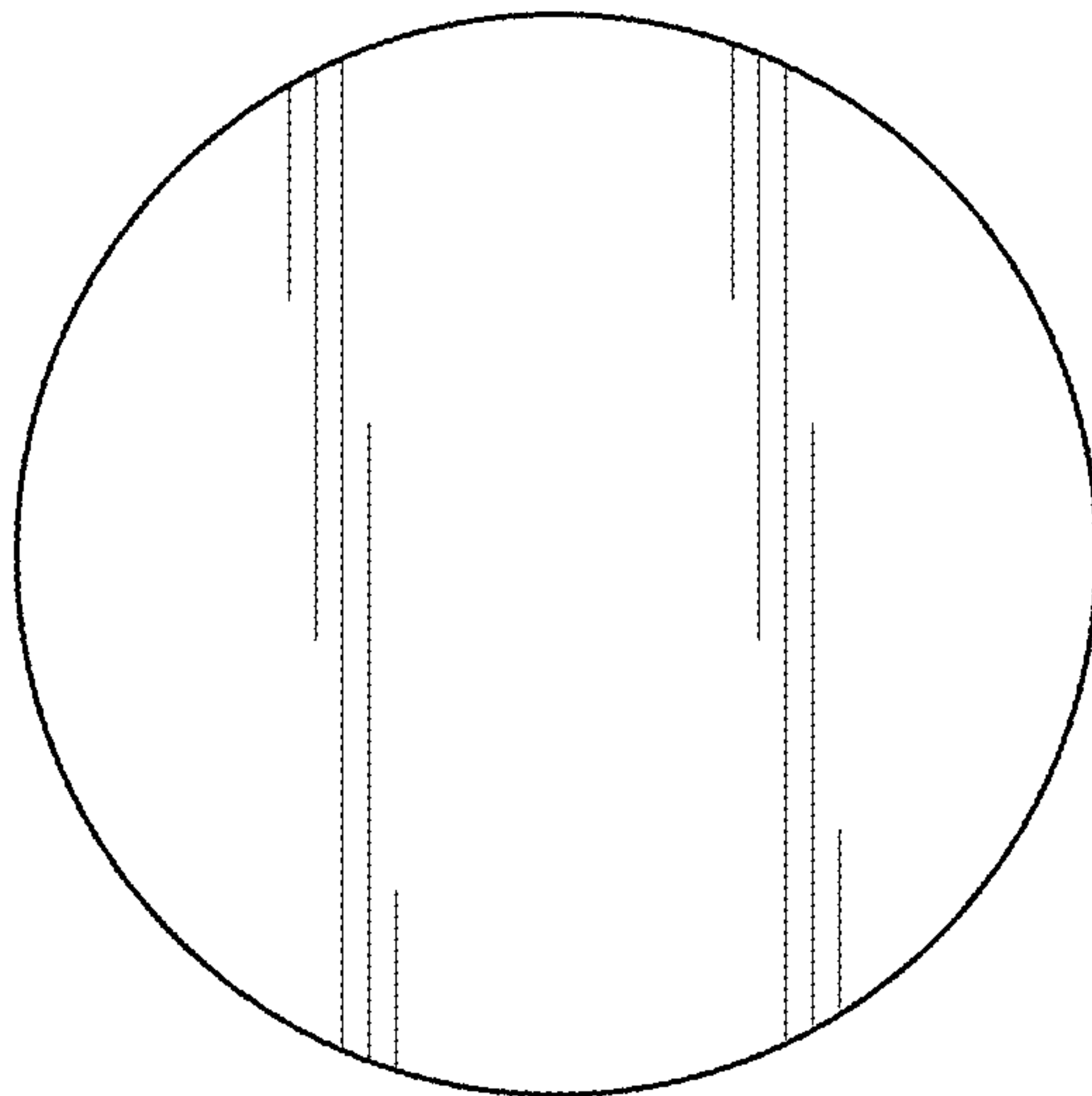


FIG. 13

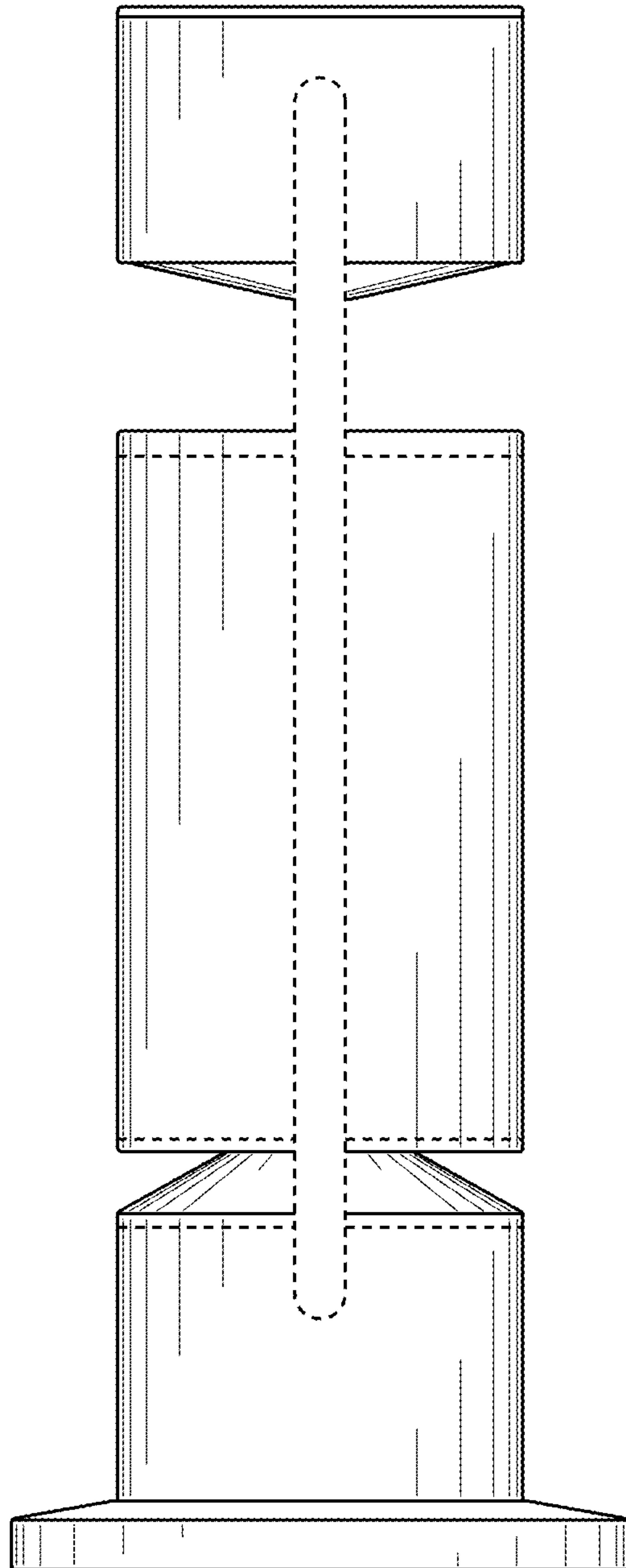


FIG. 14

