



US00D978828S

(12) **United States Design Patent**
Sretovic

(10) **Patent No.:** **US D978,828 S**

(45) **Date of Patent:** **** Feb. 21, 2023**

(54) **LOUDSPEAKER**

(71) Applicant: **Harman International Industries, Incorporated**, Northridge, CA (US)

(72) Inventor: **Nikola Sretovic**, Shenzhen (CN)

(73) Assignee: **Harman International Industries, Incorporated**, Northridge, CA (US)

(**) Term: **15 Years**

(21) Appl. No.: **29/722,122**

(22) Filed: **Jan. 27, 2020**

(51) **LOC (14) Cl.** **14-01**

(52) **U.S. Cl.**
USPC **D14/214**; D14/171

(58) **Field of Classification Search**
USPC D14/167, 168, 170–172, 188, 194–197, D14/203.1–203.8, 204, 209.1, 210–217, D14/219, 221, 222, 224, 239, 496
CPC B60R 11/0217; G06F 1/1688; G10K 9/22; G10K 11/004; H03F 1/327; H04M 1/03; H04M 1/035; H04N 5/642; H04N 21/4852; H04R 1/02; H04R 1/06; H04R 1/021; H04R 1/025; H04R 1/026; H04R 1/028; H04R 1/105; H04R 1/323; H04R 1/403; H04R 1/2803; H04R 1/2834; H04R 5/02; H04R 7/20; H04R 9/06; H04R 9/025; H04R 2201/021; H04R 2400/00; H04R 2400/07; H04R 2499/11; H04R 2499/13; H04R 2499/15; H04S 3/00; H04S 7/30

See application file for complete search history.

(56) **References Cited**

U.S. PATENT DOCUMENTS

D464,036 S * 10/2002 Matsuoka D14/171
D549,212 S * 8/2007 Wada D14/171
D573,580 S * 7/2008 Haas D10/2
D700,528 S * 3/2014 Joseph D10/26

D712,378 S 9/2014 Mackiewicz et al.
D718,280 S 11/2014 Yoon
D718,281 S 11/2014 Schmiedbauer
D752,024 S 3/2016 Kachwalla
D765,617 S 9/2016 Mackiewicz et al.
D766,215 S 9/2016 Mackiewicz et al.
D773,429 S * 12/2016 Holzer D14/171
D801,305 S 10/2017 Vaclavik et al.
D801,306 S 10/2017 Czaniecki et al.
D836,595 S 12/2018 DeLuna et al.
D842,841 S 3/2019 Demin
D848,394 S 5/2019 Demin
D851,621 S 6/2019 Demin
D862,416 S 10/2019 Czaniecki et al.
D873,788 S 1/2020 Demin
D873,793 S 1/2020 DeLuna et al.

(Continued)

OTHER PUBLICATIONS

Design U.S. Appl. No. 29/662,687, filed Sep. 7, 2018.

(Continued)

Primary Examiner — Keli L Hill

(74) *Attorney, Agent, or Firm* — Plumsea Law Group, LLC

(57) **CLAIM**

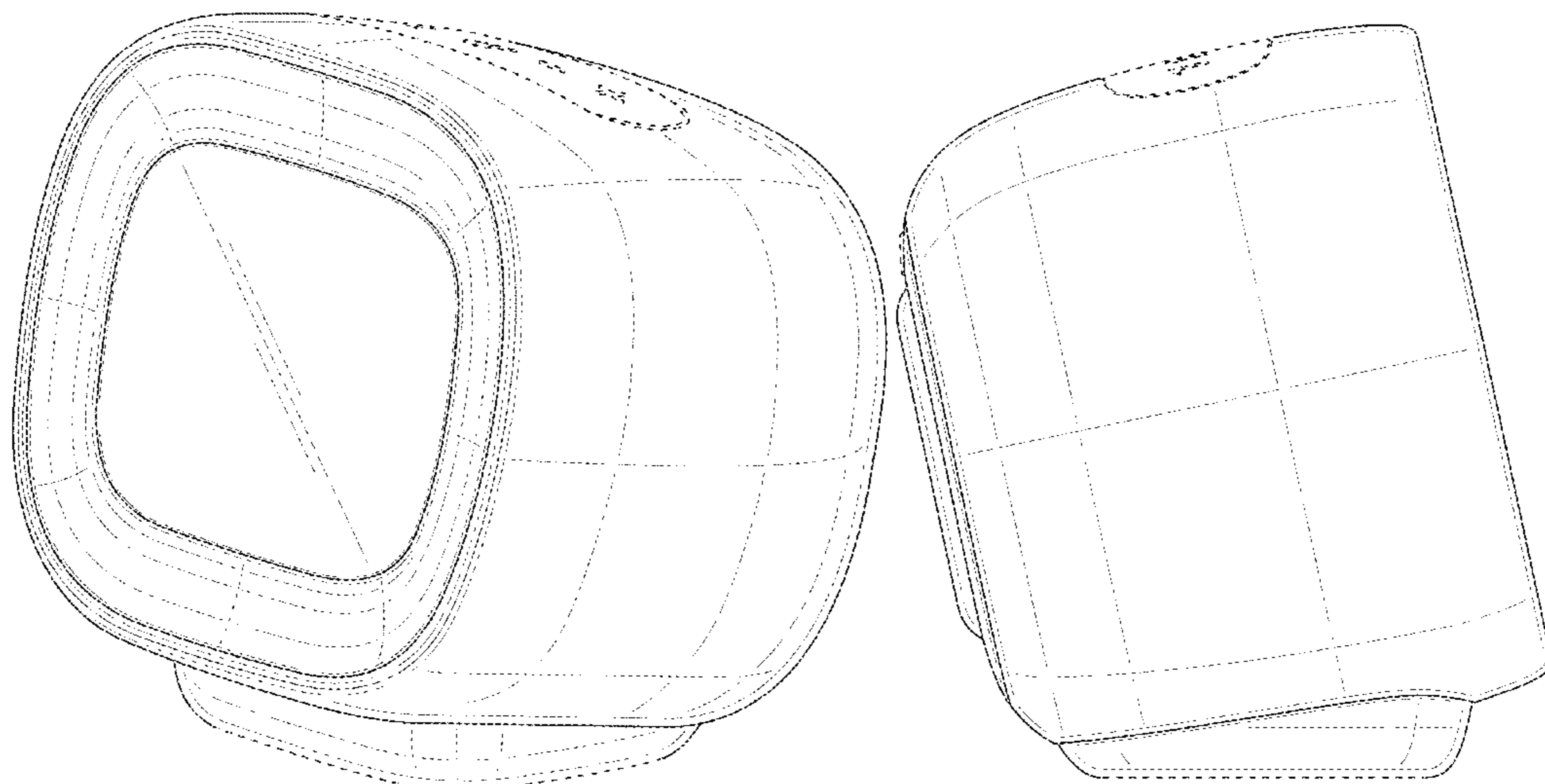
The ornamental design for a loudspeaker, as shown and described.

DESCRIPTION

FIG. 1 is a front perspective view of a loudspeaker showing the new design;
FIG. 2 is a front elevational view thereof;
FIG. 3 is a rear elevational view thereof;
FIG. 4 is a side elevational view thereof;
FIG. 5 is an opposite side elevational view thereof;
FIG. 6 is a top view thereof; and,
FIG. 7 is a bottom view thereof.

The broken lines illustrate portions of the loudspeaker that form no part of the claimed design.

1 Claim, 7 Drawing Sheets



(56)

References Cited

U.S. PATENT DOCUMENTS

D878,323 S * 3/2020 Guo D10/15
D892,789 S * 8/2020 Reichert D14/366
D911,308 S * 2/2021 Huang D14/214
D920,282 S * 5/2021 Lo D14/204
D955,229 S * 6/2022 Zhou D10/2

OTHER PUBLICATIONS

Design U.S. Appl. No. 29/675,376, filed Dec. 31, 2018.
Design U.S. Appl. No. 29/675,558, filed Jan. 3, 2019.
Design U.S. Appl. No. 29/675,569, filed Jan. 3, 2019.
Design U.S. Appl. No. 29/704,256, filed Sep. 3, 2019.
Design U.S. Appl. No. 29/718,713, filed Dec. 27, 2019.

* cited by examiner

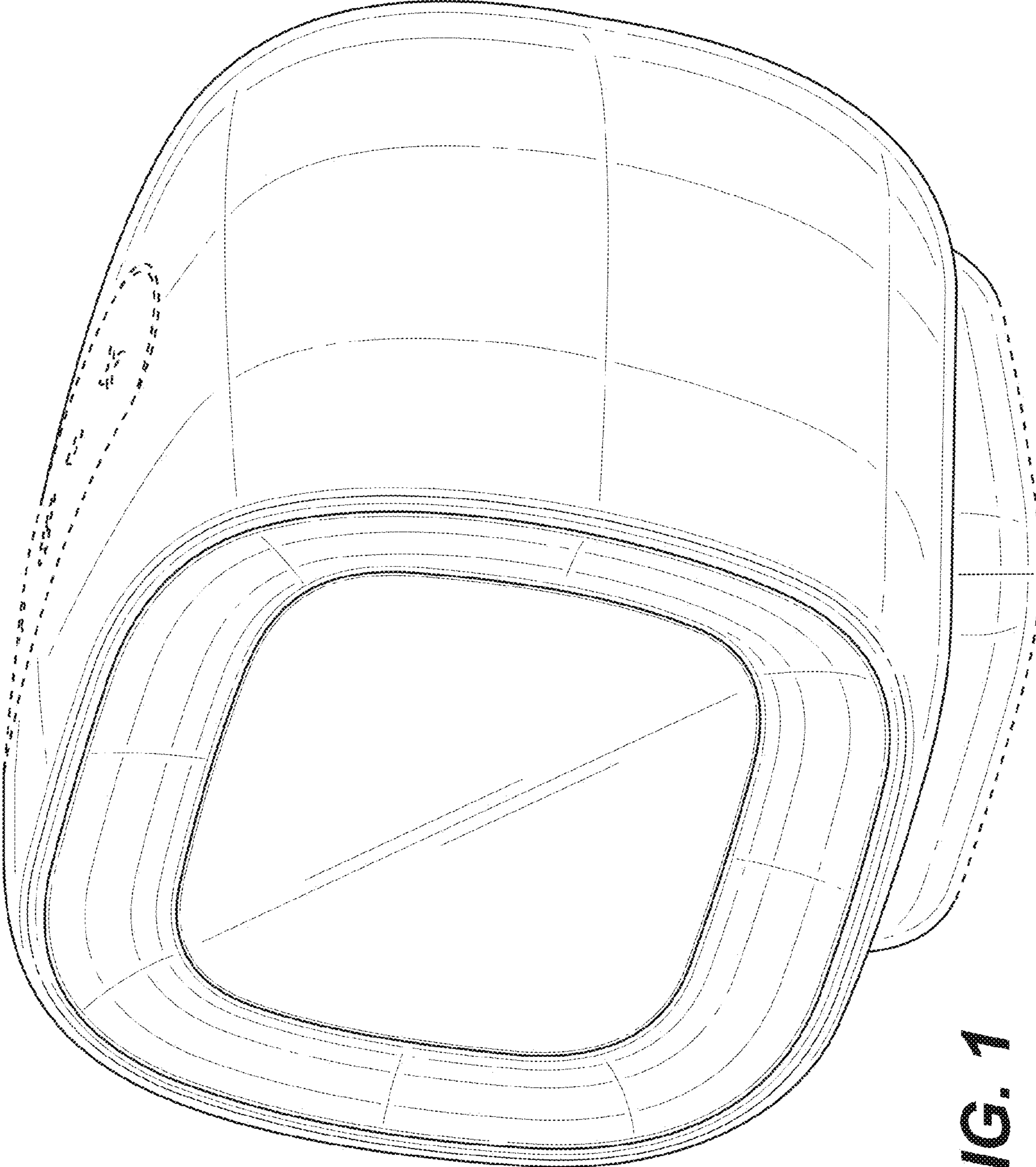


FIG. 1

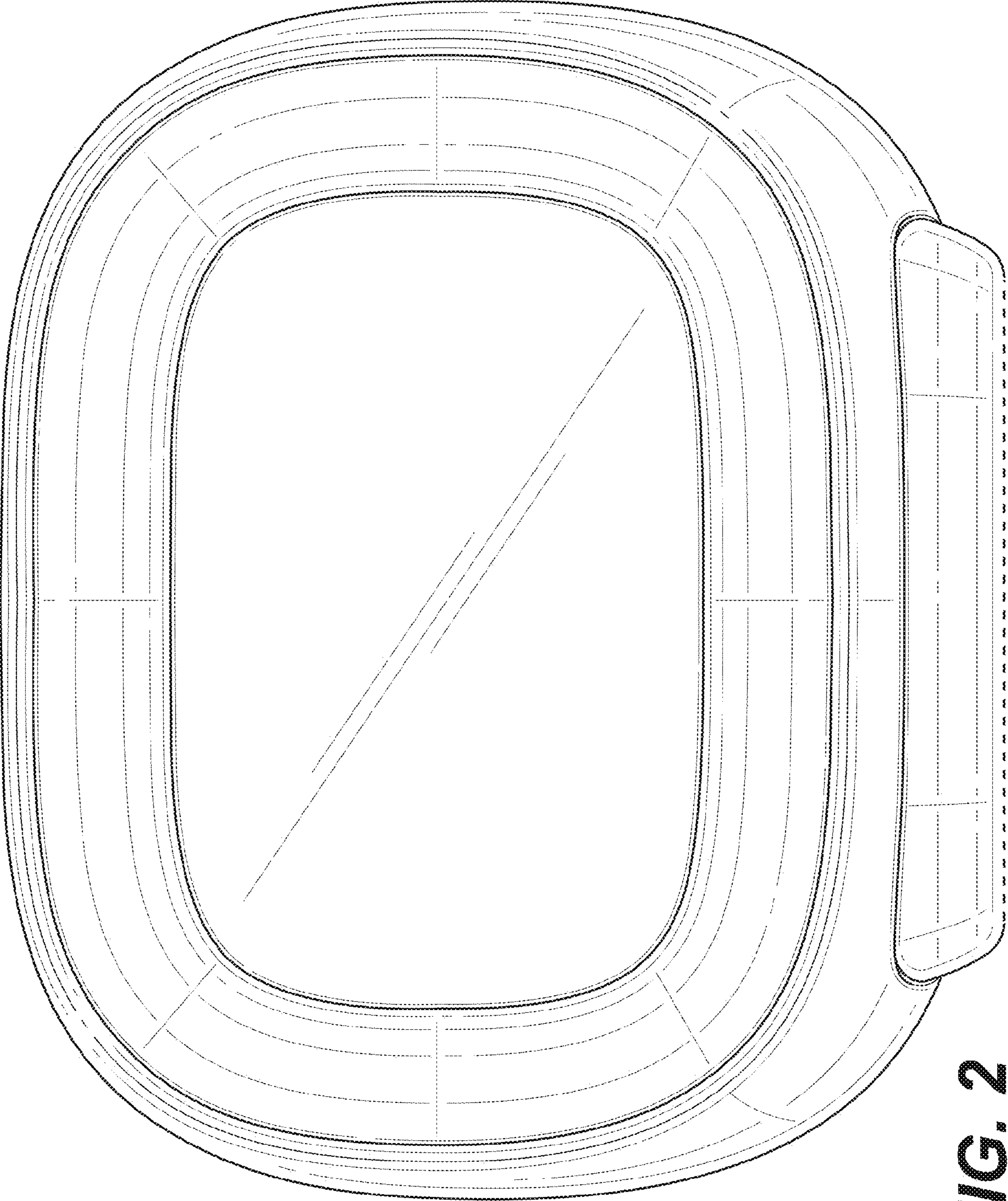


FIG. 2

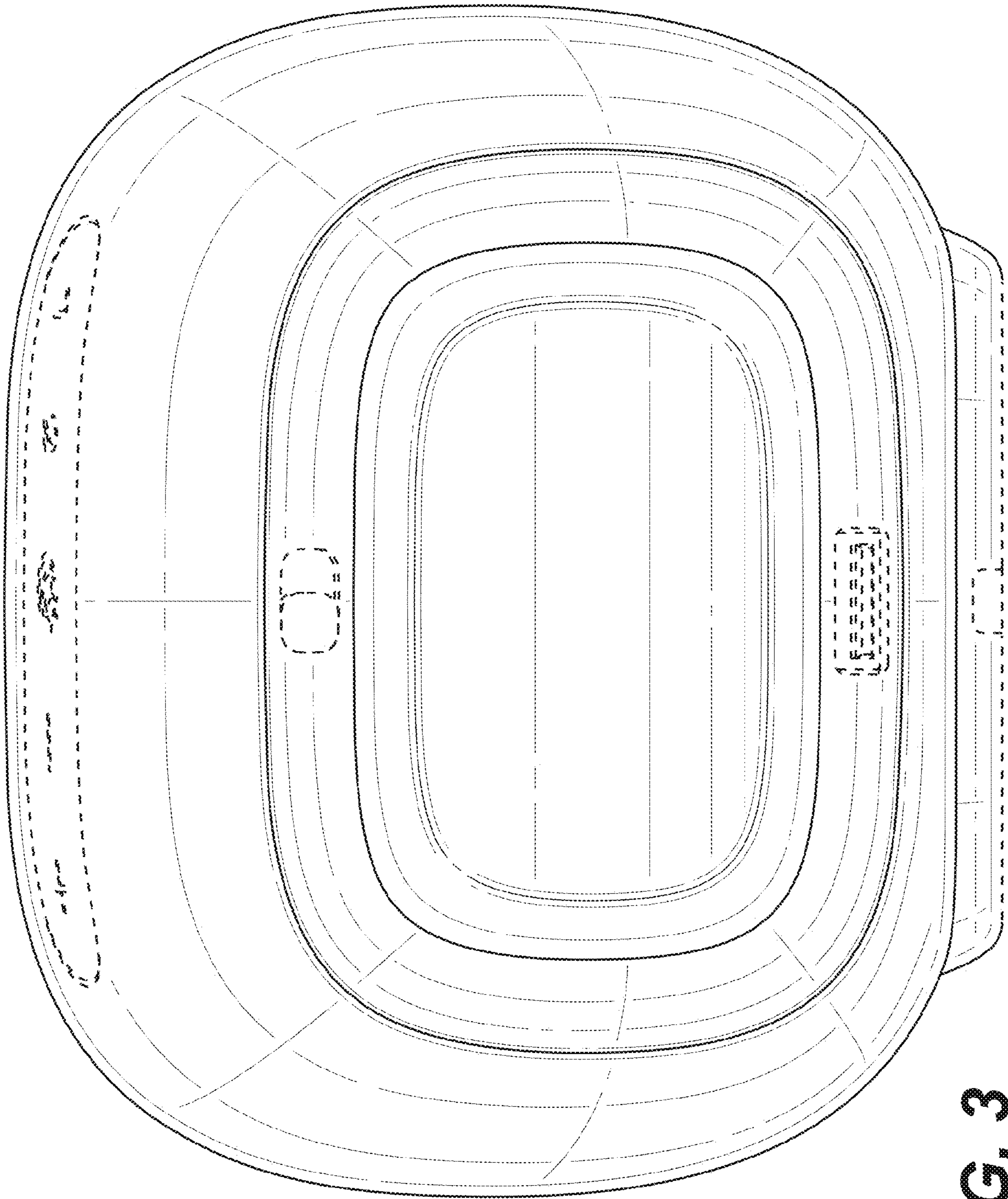


FIG. 3

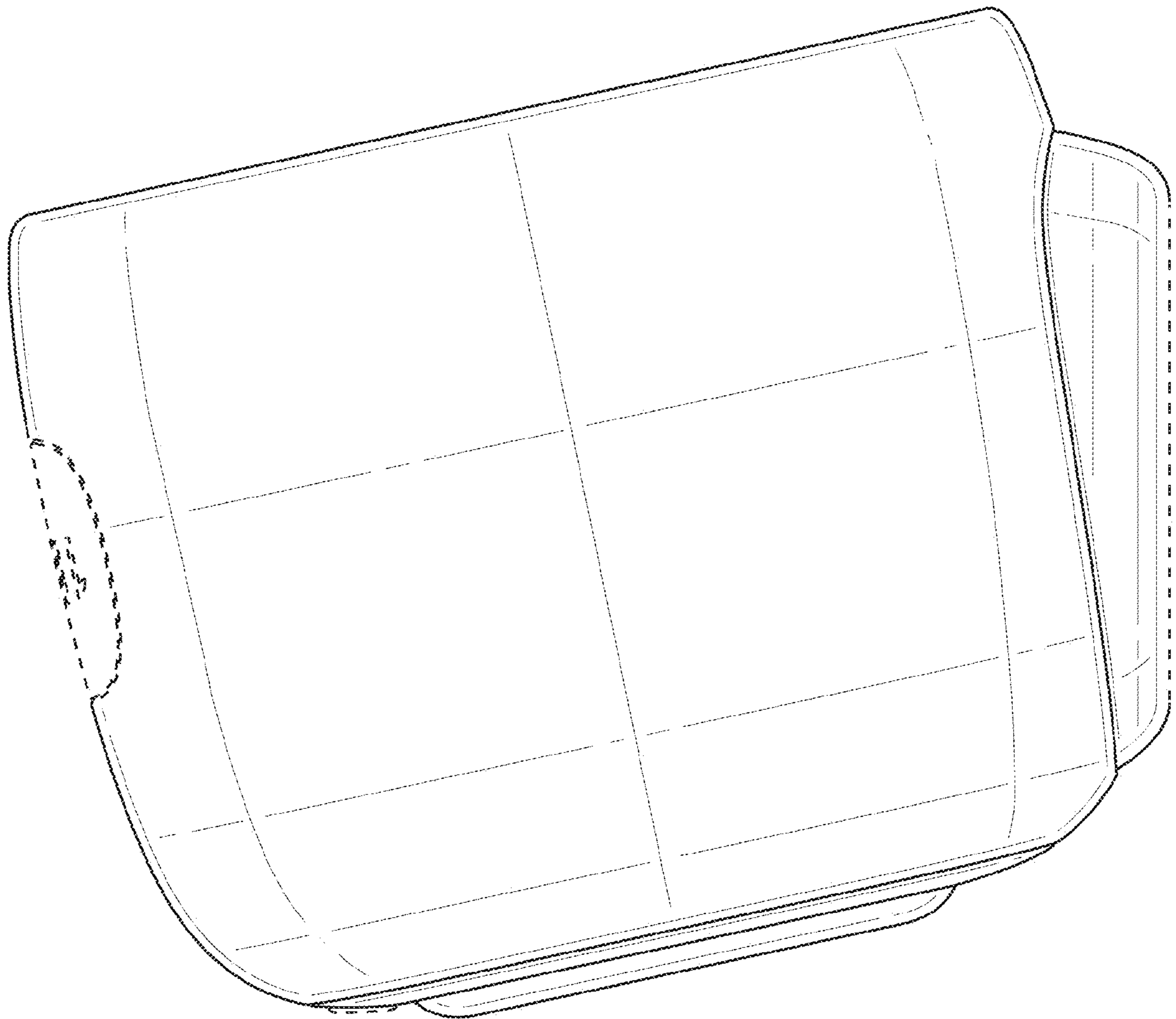


FIG. 4

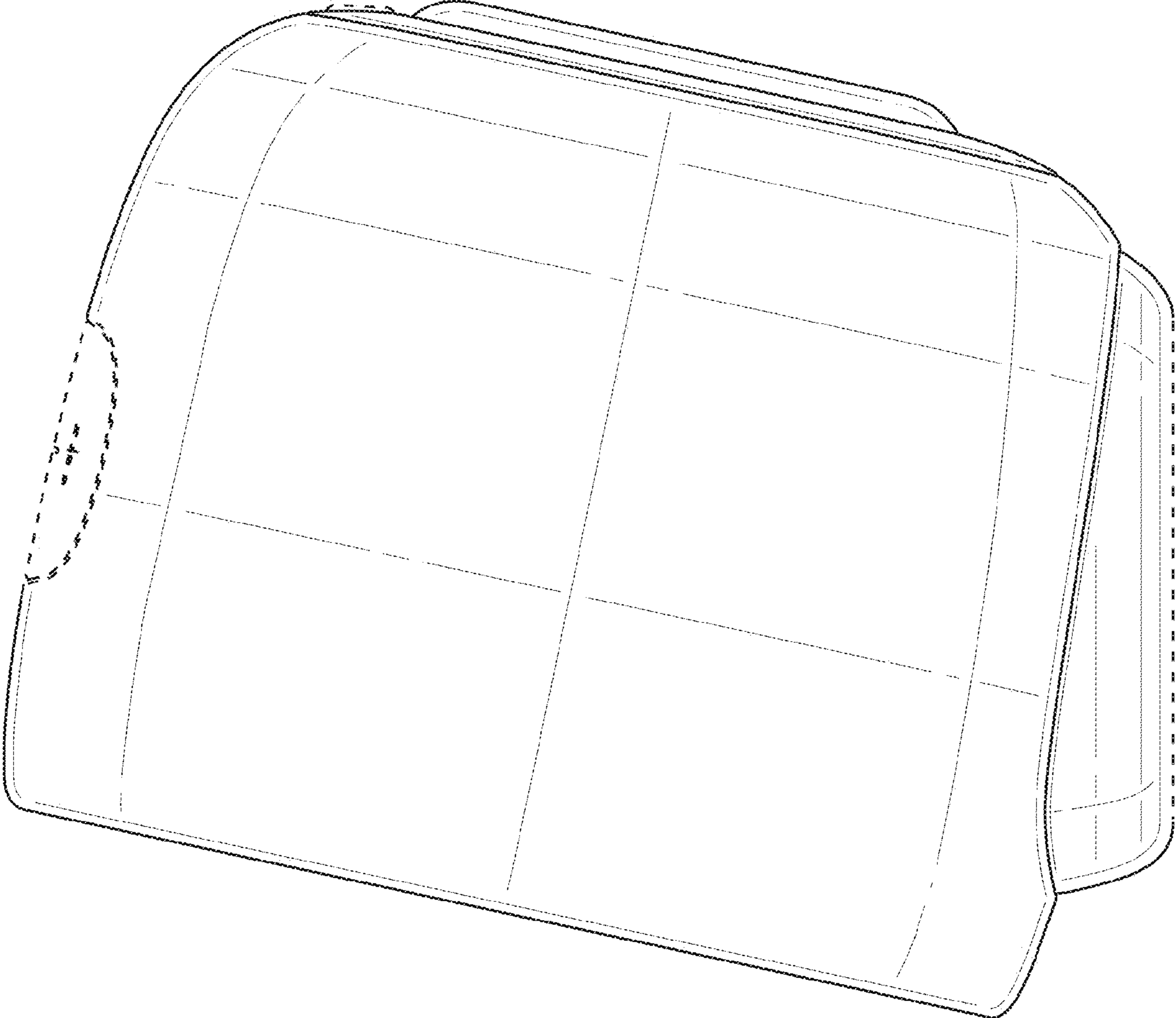


FIG. 5

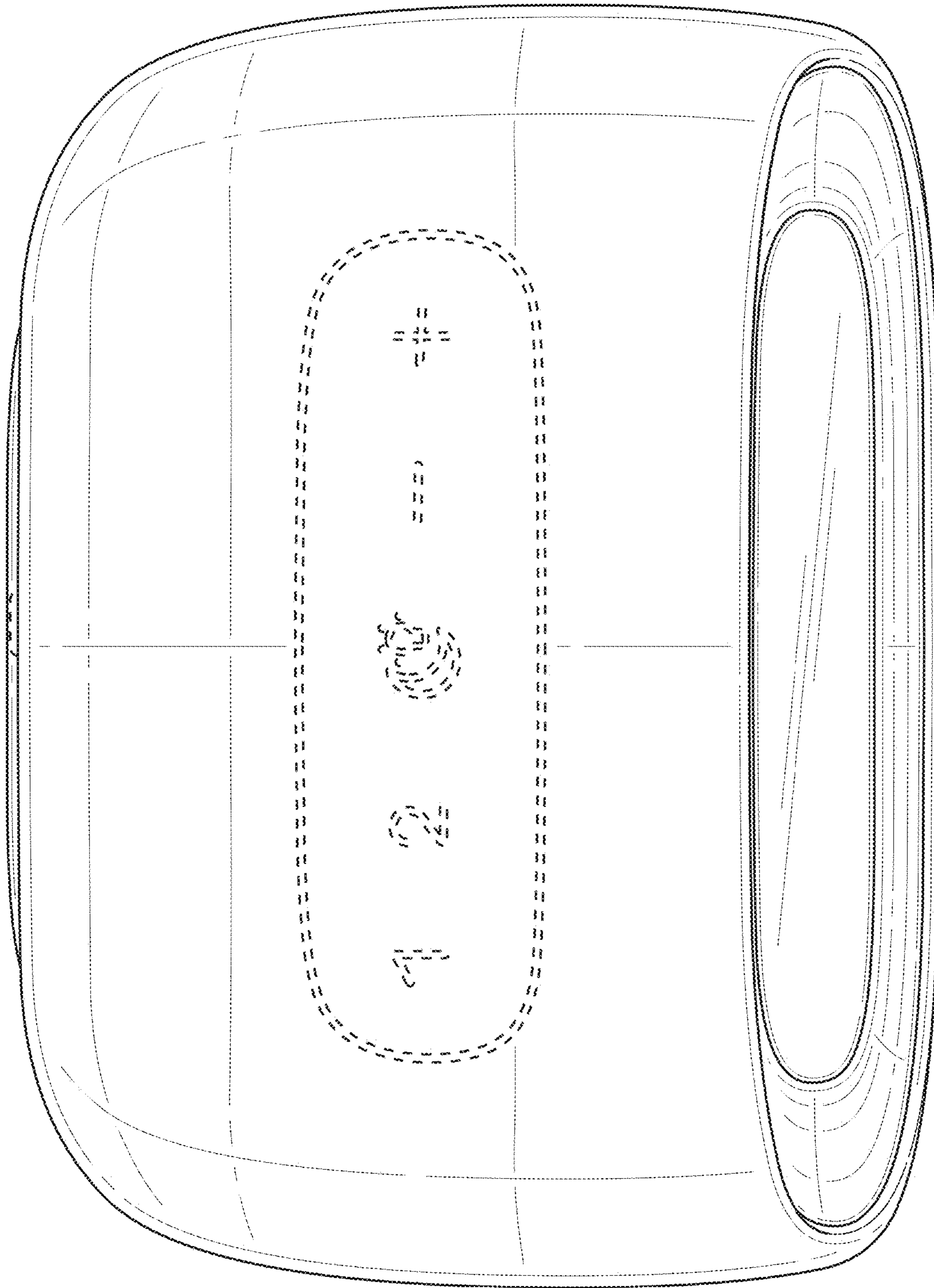


FIG. 6

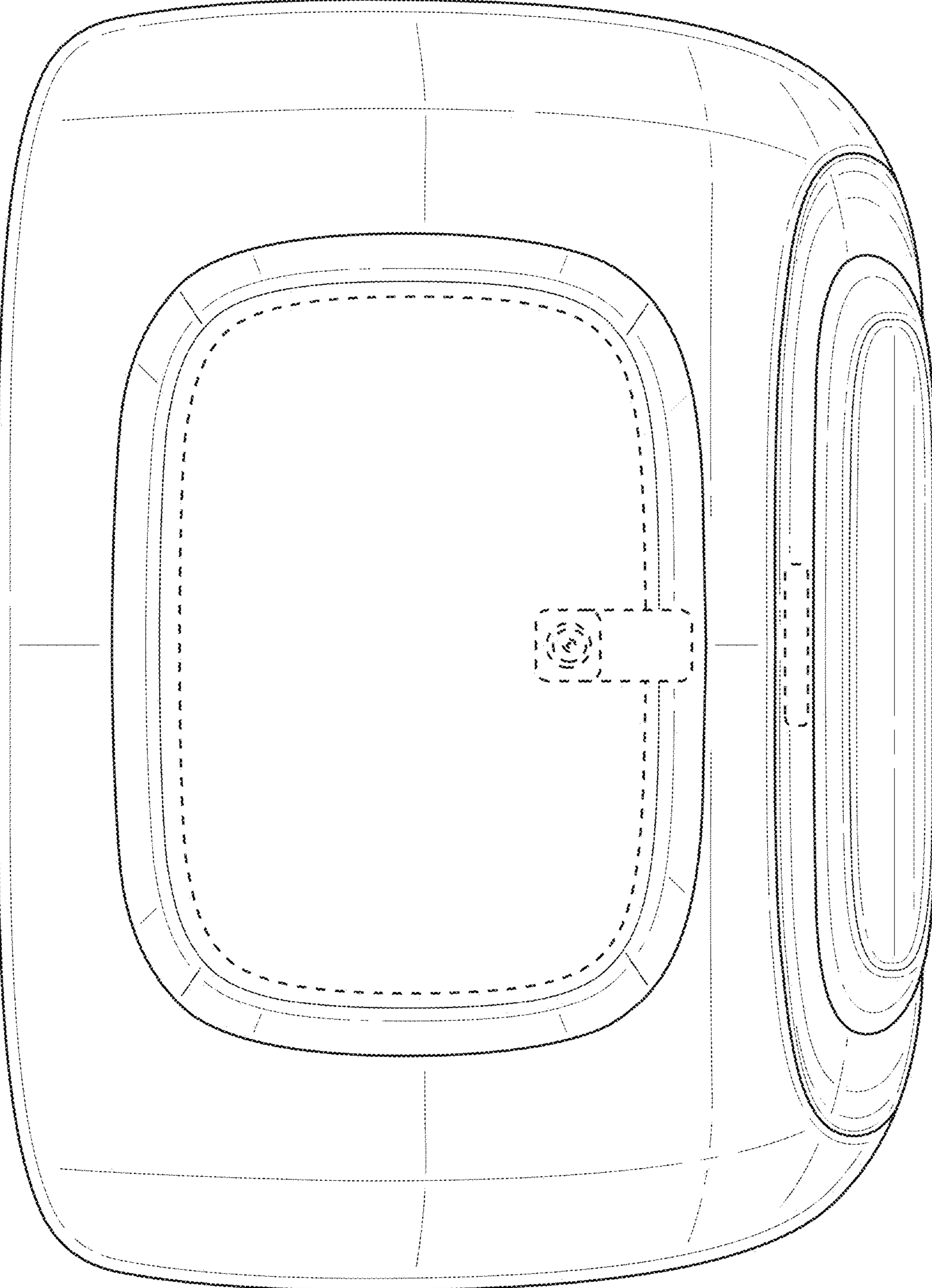


FIG. 7