



US00D978826S

(12) **United States Design Patent**  
**Fuglsang**

(10) **Patent No.:** **US D978,826 S**  
(45) **Date of Patent:** **\*\* Feb. 21, 2023**

(54) **HEADSET**

(71) Applicant: **Bang & Olufsen A/S**, Struer (DK)

(72) Inventor: **Mads Heje Fuglsang**, Copenhagen (DK)

(73) Assignee: **Bang & Olufsen A/S**, Struer (DK)

(\*\*) Term: **15 Years**

(21) Appl. No.: **29/768,821**

(22) Filed: **Feb. 1, 2021**

(30) **Foreign Application Priority Data**

Aug. 1, 2020 (EM) ..... 008062731

(51) **LOC (14) Cl.** ..... **14-01**

(52) **U.S. Cl.**  
USPC ..... **D14/205**

(58) **Field of Classification Search**  
USPC ..... D14/205, 206, 226, 225; D29/112;  
2/209; 381/380-381, 374; 379/430, 431,  
379/444  
CPC ..... H04R 25/00; H04R 25/02; H04R 1/1066;  
H04R 1/1016; H04R 5/033; H04R  
5/0335; H04R 1/105; H04R 1/10; H04R  
1/1091

See application file for complete search history.

(56) **References Cited**

**U.S. PATENT DOCUMENTS**

3,891,810 A \* 6/1975 Hayashi ..... H04R 1/1008  
381/373  
D254,183 S \* 2/1980 Doodson ..... D14/205  
4,634,816 A \* 1/1987 O'Malley ..... H04M 1/05  
381/384  
D297,324 S \* 8/1988 Kohno ..... D14/205  
4,993,074 A \* 2/1991 Carroll ..... H04R 5/033  
381/189

D377,021 S \* 12/1996 Isono ..... D14/205  
D431,550 S \* 10/2000 Yoneda ..... D14/205  
D444,140 S \* 6/2001 Ishibashi ..... D14/205  
D504,414 S \* 4/2005 Yoshida ..... D14/205  
D594,847 S \* 6/2009 Suzuki ..... D14/205  
7,580,539 B2 \* 8/2009 Tachikawa ..... H04R 1/1066  
381/374  
D639,776 S \* 6/2011 Arimoto ..... D14/205  
D675,595 S \* 2/2013 Cho ..... D14/205  
D678,860 S \* 3/2013 Hagelin ..... D14/205  
D683,329 S \* 5/2013 Hagelin ..... D14/205  
D691,109 S \* 10/2013 Hardi ..... D14/205  
D706,242 S \* 6/2014 Yang ..... H04R 1/1066  
D14/205  
D707,653 S \* 6/2014 Hardi ..... H04R 1/10  
D14/205

(Continued)

**FOREIGN PATENT DOCUMENTS**

CN 304694726 \* 6/2018  
CN 304742342 \* 7/2018

(Continued)

*Primary Examiner* — Paula Allen Greene

(74) *Attorney, Agent, or Firm* — Dykema Gossett PLLC

(57) **CLAIM**

The ornamental design for a headset, as shown and described.

**DESCRIPTION**

FIG. 1 is an isometric top, front, and left side view of the headset.

FIG. 2 is a front view of the headset of FIG. 1.

FIG. 3 is a rear view of the headset of FIG. 1.

FIG. 4 is a left side view of the headset of FIG. 1.

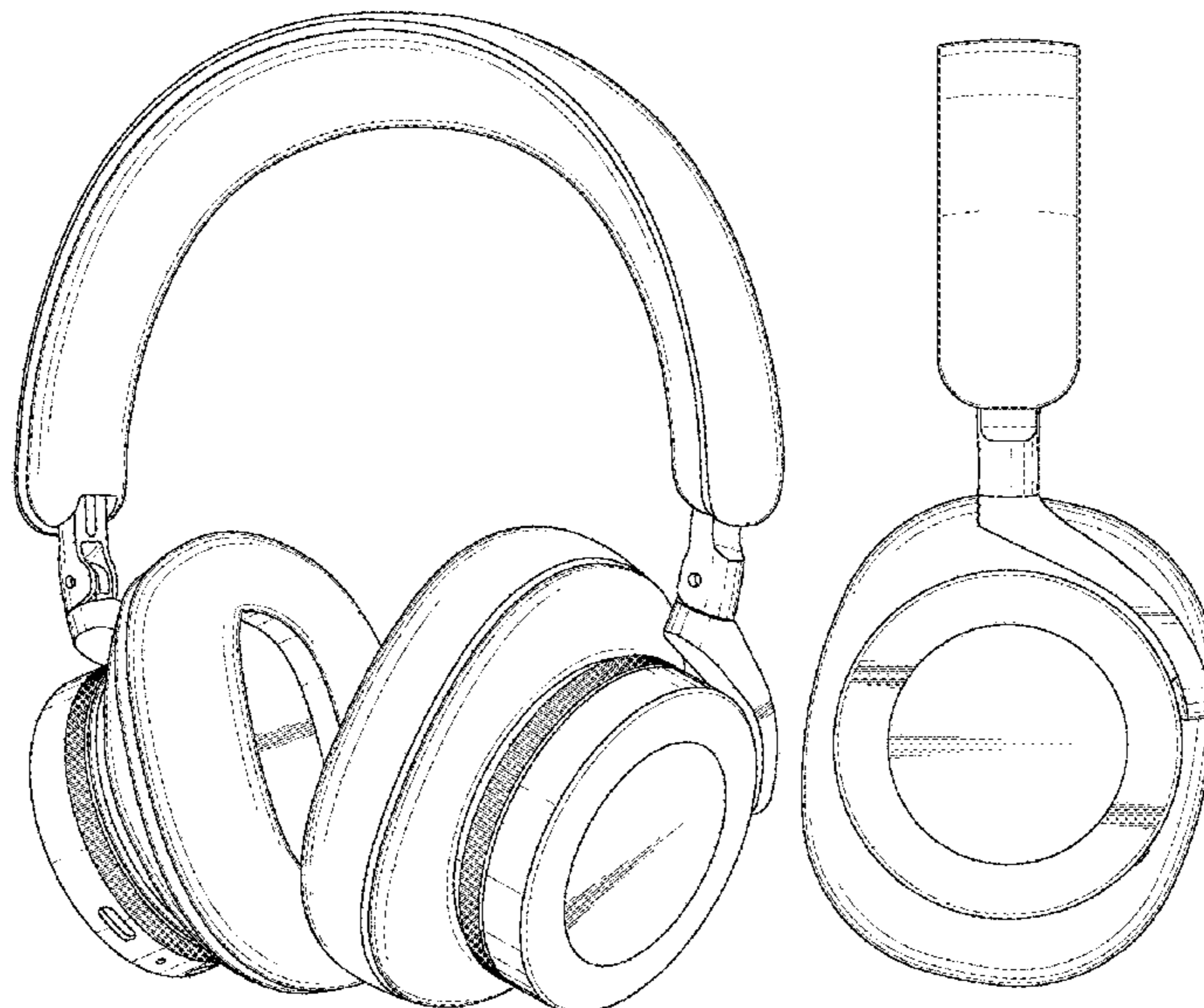
FIG. 5 is a right side view of the headset of FIG. 1.

FIG. 6 is a top view of the headset of FIG. 1.

FIG. 7 is a bottom view of the headset of FIG. 1; and,

FIG. 8 is an isometric top, rear, and right side view of the headset of FIG. 1.

**1 Claim, 8 Drawing Sheets**



(56)

References Cited

U.S. PATENT DOCUMENTS

D722,998 S \* 2/2015 Sancho ..... D14/205  
 D727,289 S \* 4/2015 Czaniecki ..... D14/205  
 D731,457 S \* 6/2015 Brunner ..... D14/205  
 D771,012 S \* 11/2016 Wagner ..... D14/205  
 D794,602 S \* 8/2017 Riggs ..... D14/205  
 D806,675 S \* 1/2018 Fuglsang ..... D14/206  
 D806,676 S \* 1/2018 Fuglsang ..... D14/206  
 D818,454 S \* 5/2018 Zhu ..... D14/205  
 D834,557 S \* 11/2018 Hardi ..... D14/205  
 D837,764 S \* 1/2019 Xiao ..... D14/205  
 D838,687 S \* 1/2019 Wu ..... D14/205  
 D841,618 S \* 2/2019 Mei ..... D14/205  
 D851,627 S \* 6/2019 ter Laag ..... D14/205  
 D852,776 S \* 7/2019 Zhu ..... D14/205  
 10,419,840 B2 \* 9/2019 Lu ..... H04R 1/1008  
 D869,430 S \* 12/2019 Rama ..... D14/206  
 10,667,029 B2 \* 5/2020 Cochran ..... H04R 1/1066  
 D886,078 S \* 6/2020 He ..... D14/206

10,757,499 B1 \* 8/2020 Vautrin ..... G10L 15/22  
 D914,637 S \* 3/2021 Shen ..... D14/206  
 D934,198 S \* 10/2021 Michaelian ..... D14/205  
 D936,035 S \* 11/2021 Tang ..... D14/205  
 D950,521 S \* 5/2022 Liu ..... D14/206  
 2003/0103637 A1 \* 6/2003 Huang ..... H04R 1/1075  
 381/74  
 2011/0103609 A1 \* 5/2011 Pelland ..... H04R 1/02  
 381/74  
 2016/0080853 A1 \* 3/2016 Chen ..... H04R 1/1083  
 381/74  
 2020/0028246 A1 \* 1/2020 Kim ..... H01Q 1/36  
 2022/0180851 A1 \* 6/2022 Reid ..... A62B 18/003

FOREIGN PATENT DOCUMENTS

EM 008062731-0003 \* 8/2021  
 HK 2118138-0005 \* 6/2021  
 JP D1699063 \* 10/2021  
 WO D220996-001 \* 5/2022

\* cited by examiner



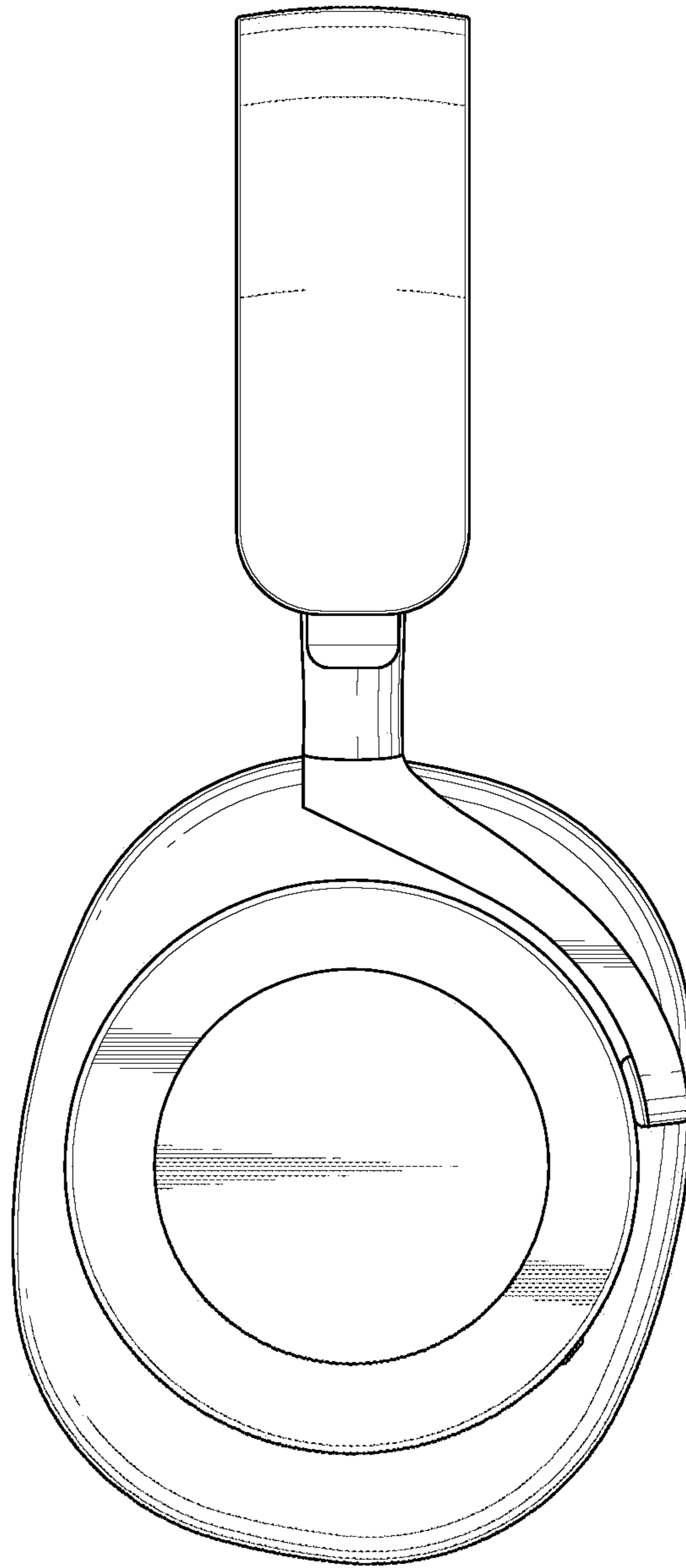
**FIG. 1**



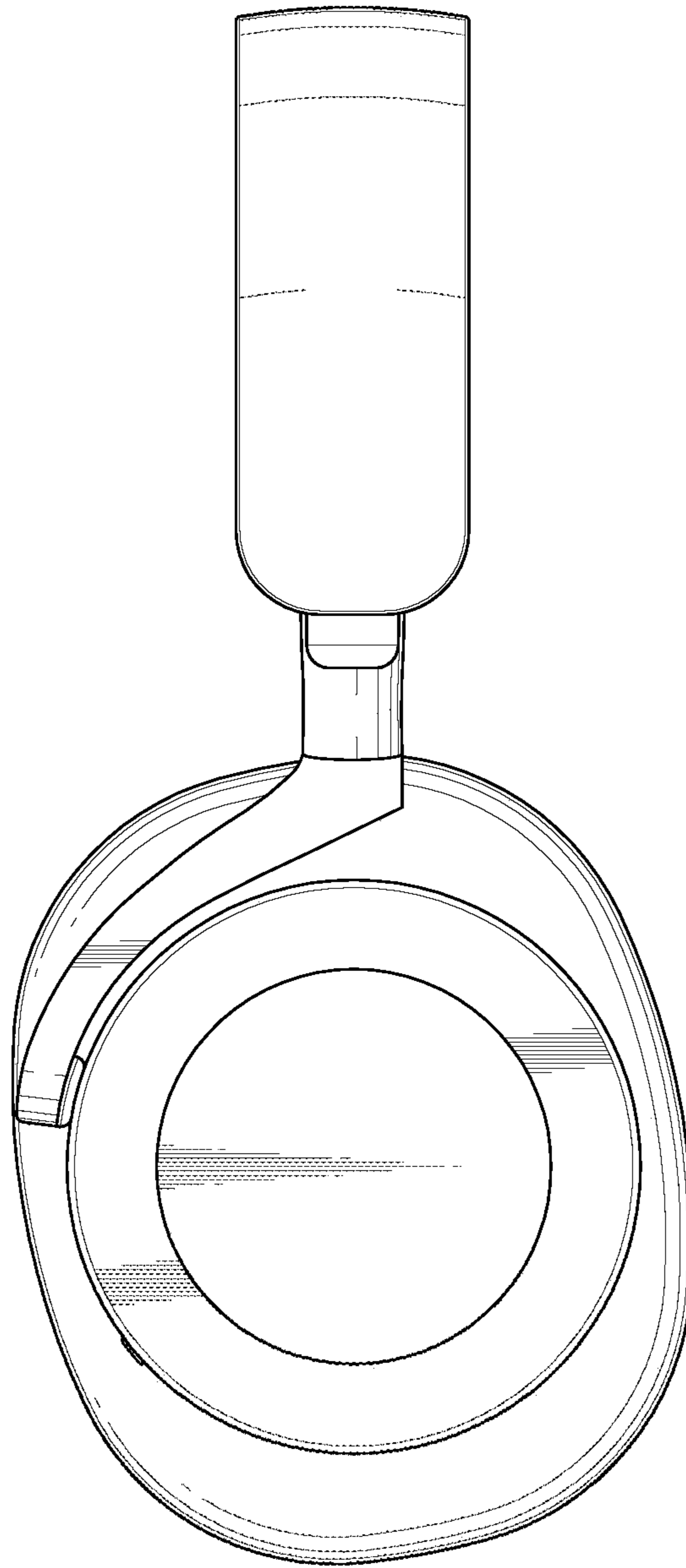
**FIG. 2**



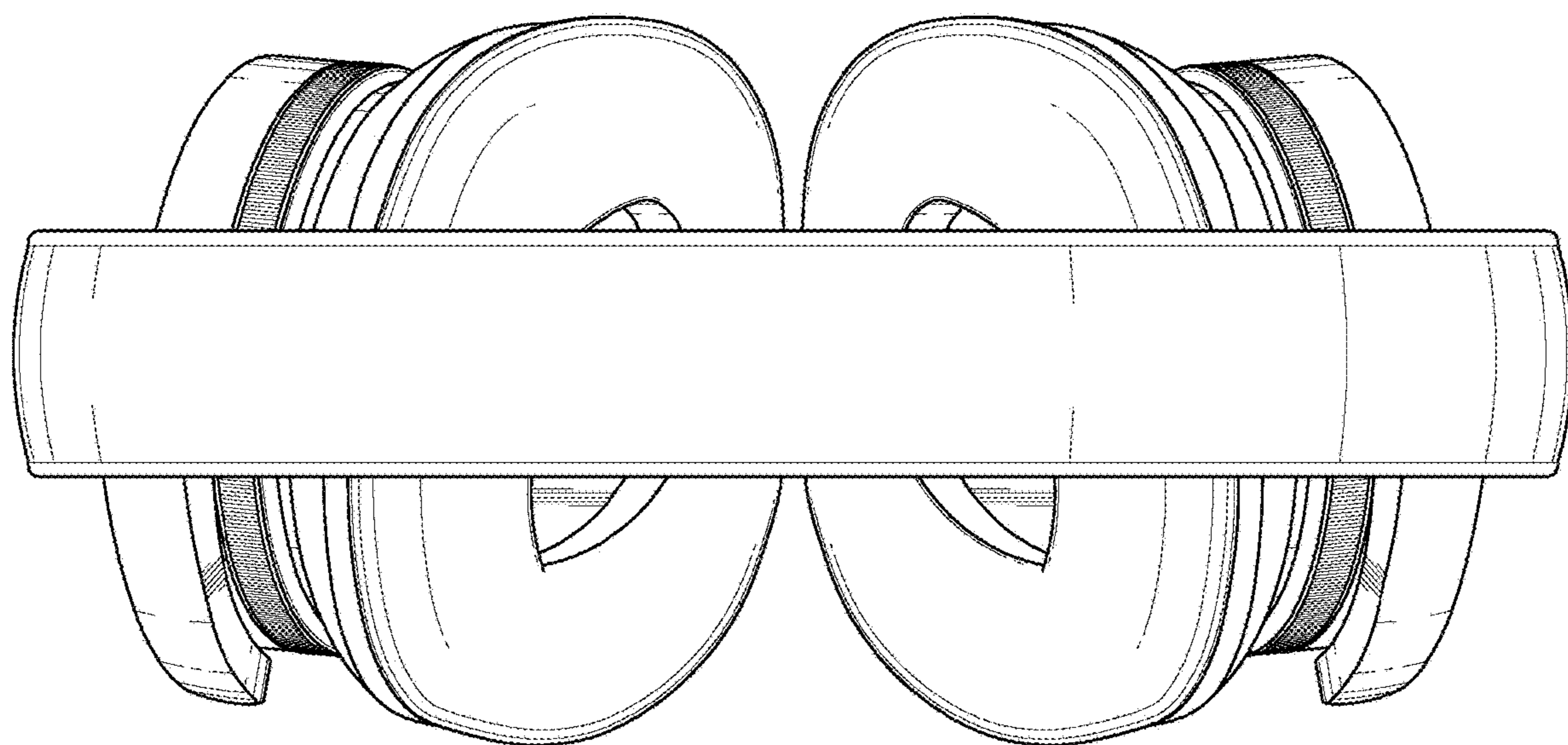
**FIG. 3**



**FIG. 4**

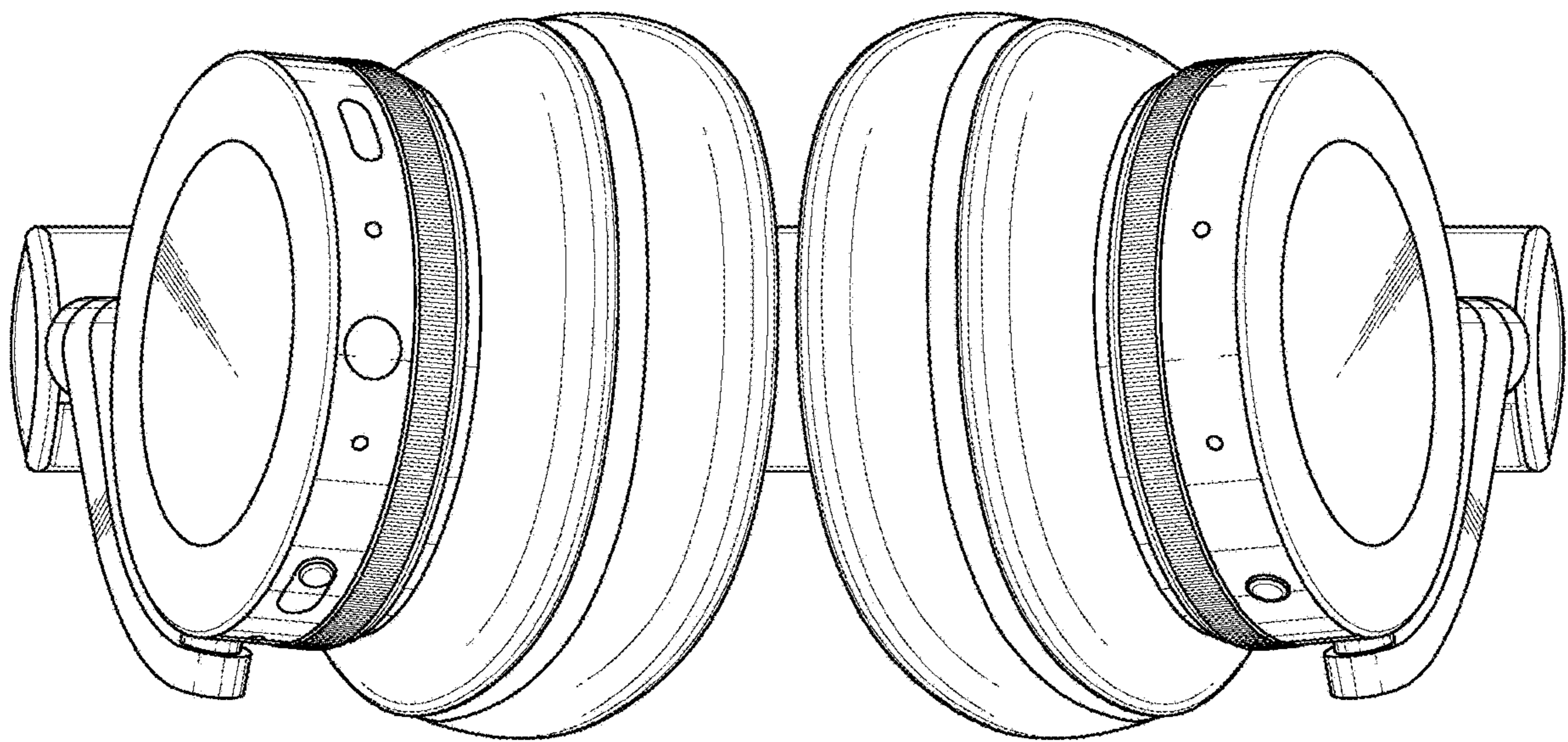


**FIG. 5**



**FIG. 6**





**FIG. 7**



**FIG. 8**