



US00D978825S

(12) **United States Design Patent**  
**Aguinaga et al.**

(10) **Patent No.:** **US D978,825 S**

(45) **Date of Patent:** **\*\* Feb. 21, 2023**

(54) **HEADPHONE**

(71) Applicant: **Harman International Industries, Incorporated**, Northridge, CA (US)

(72) Inventors: **Federico Esteban Aguinaga**, Shenzhen (CN); **Ondrej Vaclavik**, Shenzhen (CN)

(73) Assignee: **Harman International Industries, Incorporated**, Northridge, CA (US)

(\*\*) Term: **15 Years**

(21) Appl. No.: **29/764,885**

(22) Filed: **Jan. 4, 2021**

(51) **LOC (14) Cl.** ..... **14-01**

(52) **U.S. Cl.**  
USPC ..... **D14/205**

(58) **Field of Classification Search**  
USPC ..... D14/206, 205, 226, 188, 192, 219;  
D29/112; 2/209; 381/380, 381, 370, 374  
CPC ..... H04R 25/00; H04R 25/02; H04R 1/1066;  
H04R 1/1016; H04R 5/033; H04R  
5/0335; H04R 1/1008; H04R 1/1041;  
H04R 1/1091; H04R 1/10; H04R 1/105  
See application file for complete search history.

(56) **References Cited**

**U.S. PATENT DOCUMENTS**

D345,163 S *	3/1994	Yamatogi	.....	D14/205
D435,249 S *	12/2000	Yasutomi	.....	D14/205
D567,215 S *	4/2008	Lee	.....	D14/205
7,388,960 B2 *	6/2008	Kuo	.....	H04R 5/02 381/384
D673,519 S *	1/2013	Tan	.....	D14/205
D712,383 S *	9/2014	McNamara	.....	D14/223
D716,762 S *	11/2014	Greve	.....	D14/206
D723,509 S *	3/2015	Garland	.....	D14/205
D725,074 S *	3/2015	Boeckel	.....	D14/205
D725,630 S *	3/2015	Nakagawa	.....	D14/205
D727,289 S	4/2015	Czaniecki		

D728,512 S *	5/2015	Nakagawa	.....	D14/205
D736,174 S *	8/2015	Levine	.....	D14/205
D736,176 S	8/2015	Rapitsch		
D746,790 S *	1/2016	Strasberg	.....	D14/205
D750,041 S *	2/2016	Birger	.....	D14/205
D765,055 S *	8/2016	Hsieh	.....	D14/205
D769,219 S *	10/2016	Ohmachi	.....	D14/205
D769,221 S *	10/2016	Pedersen	.....	D14/206

(Continued)

**FOREIGN PATENT DOCUMENTS**

EM	008593883-0003	*	6/2021
EM	008593883-0004	*	6/2021

(Continued)

**OTHER PUBLICATIONS**

Design U.S. Appl. No. 29/703,423, filed Aug. 27, 2019.

(Continued)

*Primary Examiner* — Paula Allen Greene  
(74) *Attorney, Agent, or Firm* — Plumsea Law Group, LLC

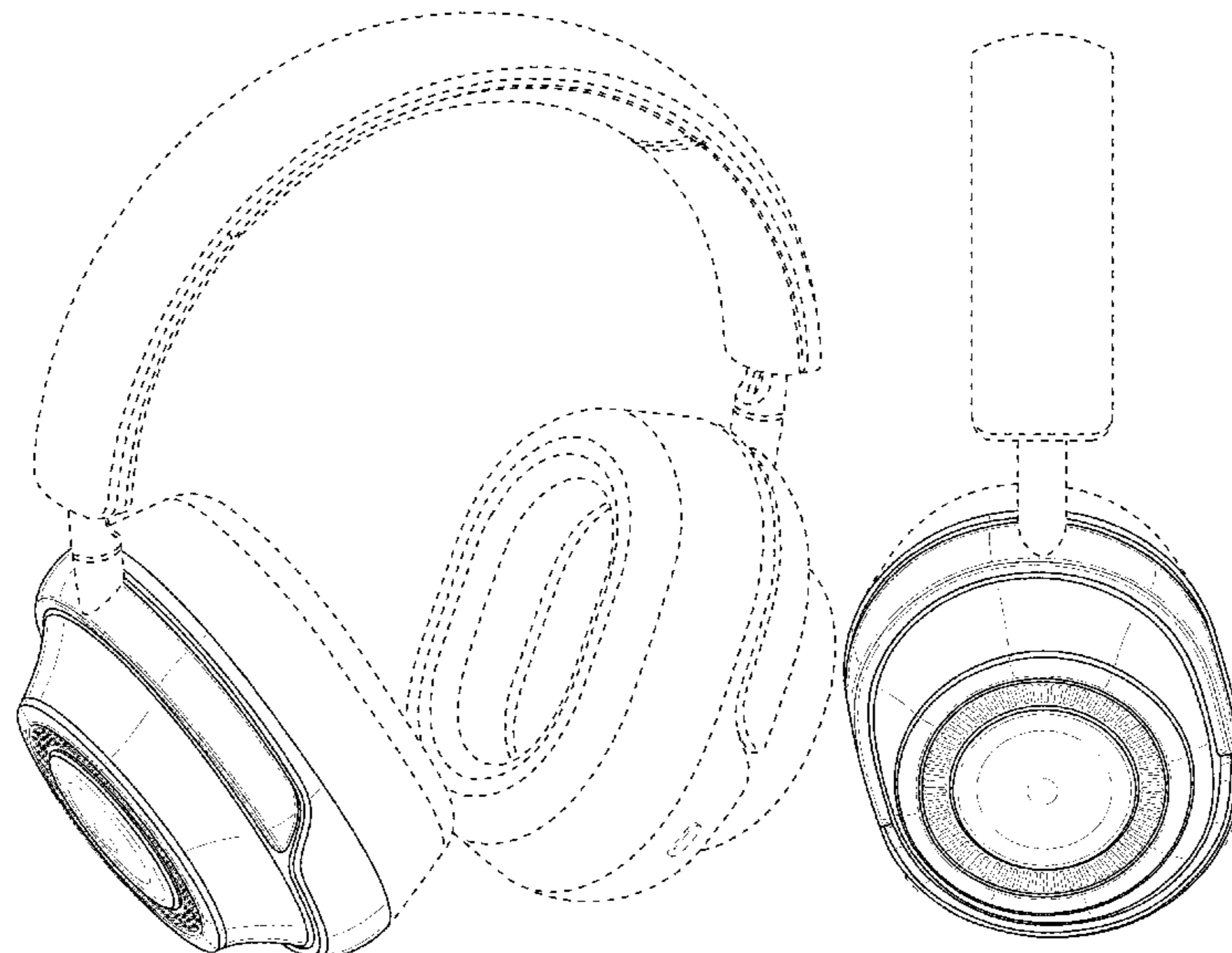
(57) **CLAIM**

The ornamental design for a headphone, as shown and described.

**DESCRIPTION**

FIG. 1 is a perspective view of a headphone showing our new design;  
FIG. 2 is a front elevational view thereof;  
FIG. 3 is a rear elevational view thereof;  
FIG. 4 is a side elevational view thereof;  
FIG. 5 is an opposite side elevational view thereof;  
FIG. 6 is a top view thereof; and,  
FIG. 7 is a bottom view thereof.  
The broken lines in the figures illustrate portions of the headphone that form no part of the claimed design.

**1 Claim, 7 Drawing Sheets**



(56)

References Cited

U.S. PATENT DOCUMENTS

D775,104 S \* 12/2016 Lee ..... D14/205  
 D777,701 S 1/2017 Czaniecki  
 D778,258 S \* 2/2017 Hsu ..... D14/205  
 D778,874 S \* 2/2017 Lin ..... D14/205  
 D784,956 S \* 4/2017 Homewood ..... D14/205  
 D806,675 S \* 1/2018 Fuglsang ..... D14/206  
 D808,359 S \* 1/2018 Meyer ..... D14/206  
 D811,364 S \* 2/2018 Park ..... D14/205  
 D811,365 S 2/2018 Czaniecki  
 D812,035 S \* 3/2018 Petersen ..... D14/205  
 D812,588 S \* 3/2018 Levine ..... D14/225  
 D826,208 S 8/2018 Czaniecki  
 D832,813 S \* 11/2018 Levine ..... D14/205  
 D834,260 S \* 11/2018 Garcia Mansilla ..... D29/112  
 D843,345 S \* 3/2019 Brunner ..... D14/205  
 D845,927 S \* 4/2019 Wang ..... D14/206  
 D848,395 S \* 5/2019 Kelley ..... D14/205  
 D849,712 S 5/2019 Billaudet et al.  
 D851,064 S \* 6/2019 Wang ..... D14/206  
 D851,622 S 6/2019 Billaudet et al.  
 D852,776 S \* 7/2019 Zhu ..... D14/205  
 D852,777 S \* 7/2019 Park ..... D14/206  
 D856,967 S \* 8/2019 Tang ..... D14/206  
 D858,483 S \* 9/2019 Hu ..... D14/205  
 D868,029 S \* 11/2019 Hänggi ..... D14/205  
 D869,430 S \* 12/2019 Rama ..... D14/206  
 D869,437 S \* 12/2019 Hu ..... D14/205  
 D870,698 S \* 12/2019 Long ..... D14/206  
 D871,367 S \* 12/2019 Zhijun ..... D14/205  
 D876,392 S \* 2/2020 Zhou ..... D14/206  
 D877,114 S 3/2020 Lindenberger  
 D877,115 S \* 3/2020 Kelley ..... D14/205  
 D878,327 S \* 3/2020 Dhondt ..... D14/205  
 D879,066 S \* 3/2020 Chen ..... D14/205  
 D879,067 S \* 3/2020 Hu ..... D14/223  
 D879,741 S \* 3/2020 Hu ..... D14/205  
 D879,742 S \* 3/2020 Hu ..... D14/205  
 D888,008 S 6/2020 Yook  
 D888,010 S 6/2020 Lindenberger  
 D892,078 S 8/2020 He  
 D893,452 S 8/2020 Yook  
 D894,867 S \* 9/2020 Choe ..... D14/205

D900,782 S 11/2020 Vaclavik et al.  
 D904,337 S \* 12/2020 Saule ..... D14/205  
 D909,987 S 2/2021 He  
 D921,607 S \* 6/2021 Saule ..... D14/205  
 D933,634 S \* 10/2021 Kim ..... D14/204  
 D934,198 S \* 10/2021 Michaelian ..... D14/205  
 D936,631 S \* 11/2021 Qin ..... D14/205  
 D944,759 S \* 3/2022 Vaclavik ..... D14/205  
 D947,153 S \* 3/2022 He ..... D14/206  
 2004/0216946 A1 \* 11/2004 Lenhard-Backhaus .....  
 H04R 1/1066  
 181/129  
 2008/0069391 A1 \* 3/2008 Steyn ..... H04R 1/1091  
 381/371  
 2010/0034414 A1 \* 2/2010 Miyata ..... H04R 5/0335  
 381/374  
 2010/0310093 A1 \* 12/2010 Semcken ..... H04R 1/1058  
 381/104  
 2014/0205129 A1 \* 7/2014 Blair ..... H04R 1/1058  
 381/378  
 2015/0139472 A1 \* 5/2015 Solomon ..... H04R 1/1091  
 381/378  
 2016/0142813 A1 \* 5/2016 Honda ..... H04R 1/1008  
 381/370  
 2017/0041697 A1 \* 2/2017 Levine ..... H04R 1/1066  
 2017/0064436 A1 \* 3/2017 Tamura ..... H04R 1/1066  
 2017/0201820 A1 \* 7/2017 Inoue ..... H04R 1/1041  
 2019/0379962 A1 \* 12/2019 Navid ..... H04R 1/38

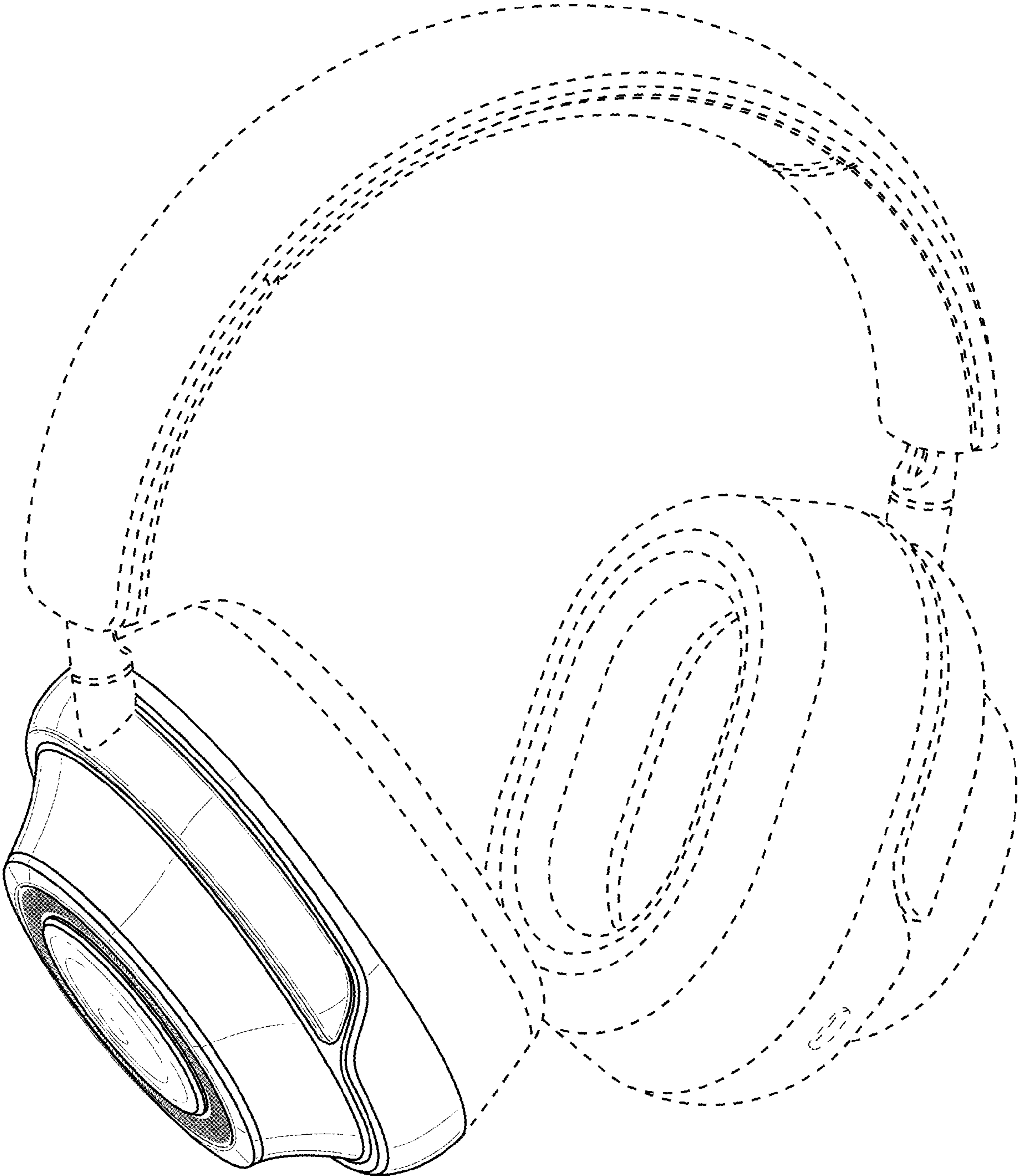
FOREIGN PATENT DOCUMENTS

EM 008862023-0001 \* 2/2022  
 GB 6191661 \* 2/2022

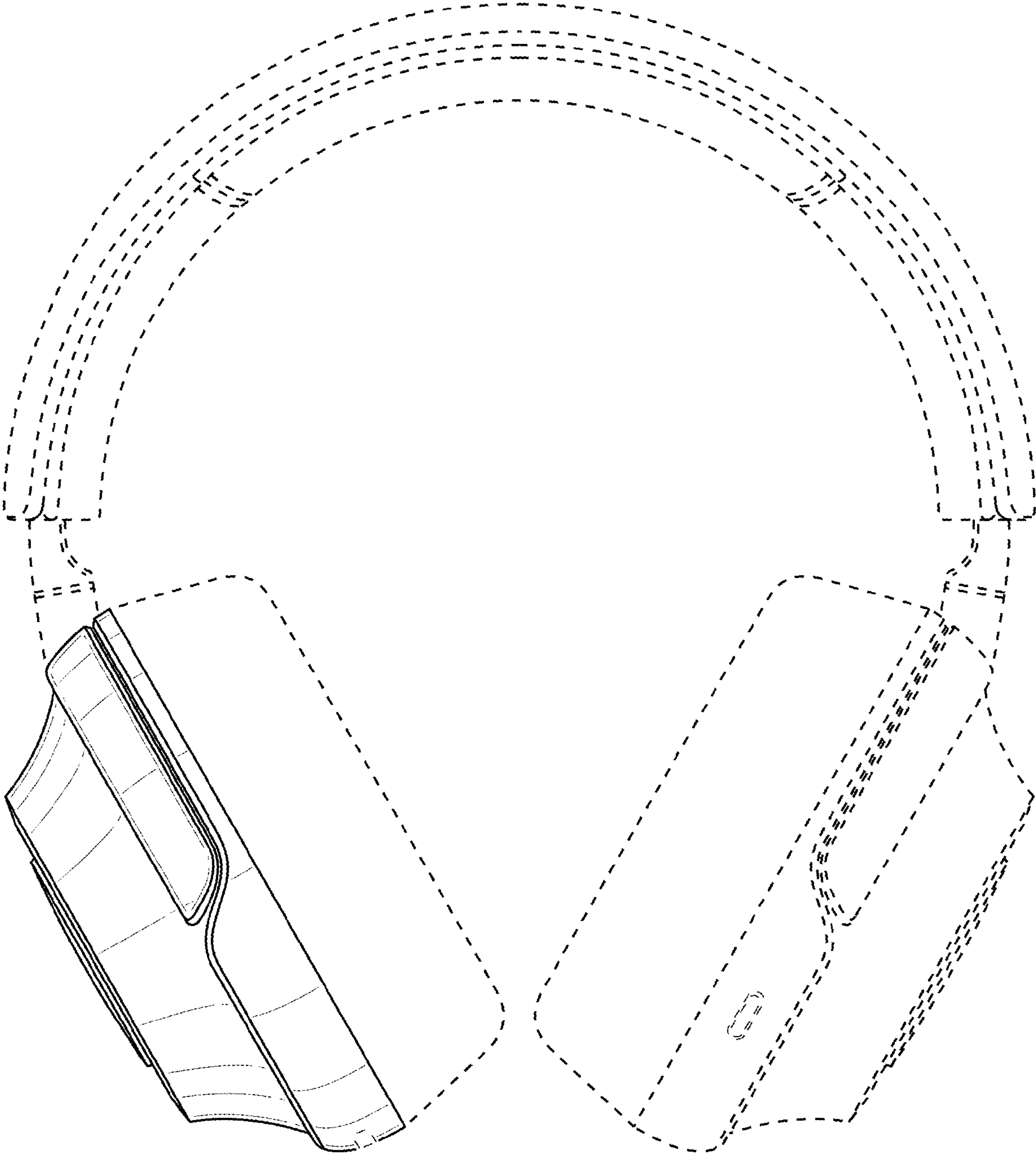
OTHER PUBLICATIONS

Design U.S. Appl. No. 29/703,425, filed Aug. 27, 2019.  
 Design U.S. Appl. No. 29/703,432, filed Aug. 27, 2019.  
 Design U.S. Appl. No. 29/703,437, filed Aug. 27, 2019.  
 Design U.S. Appl. No. 29/718,721, filed Dec. 27, 2019.  
 Design U.S. Appl. No. 29/719,306, filed Jan. 2, 2020.  
 Design U.S. Appl. No. 29/719,305, filed Jan. 2, 2020.

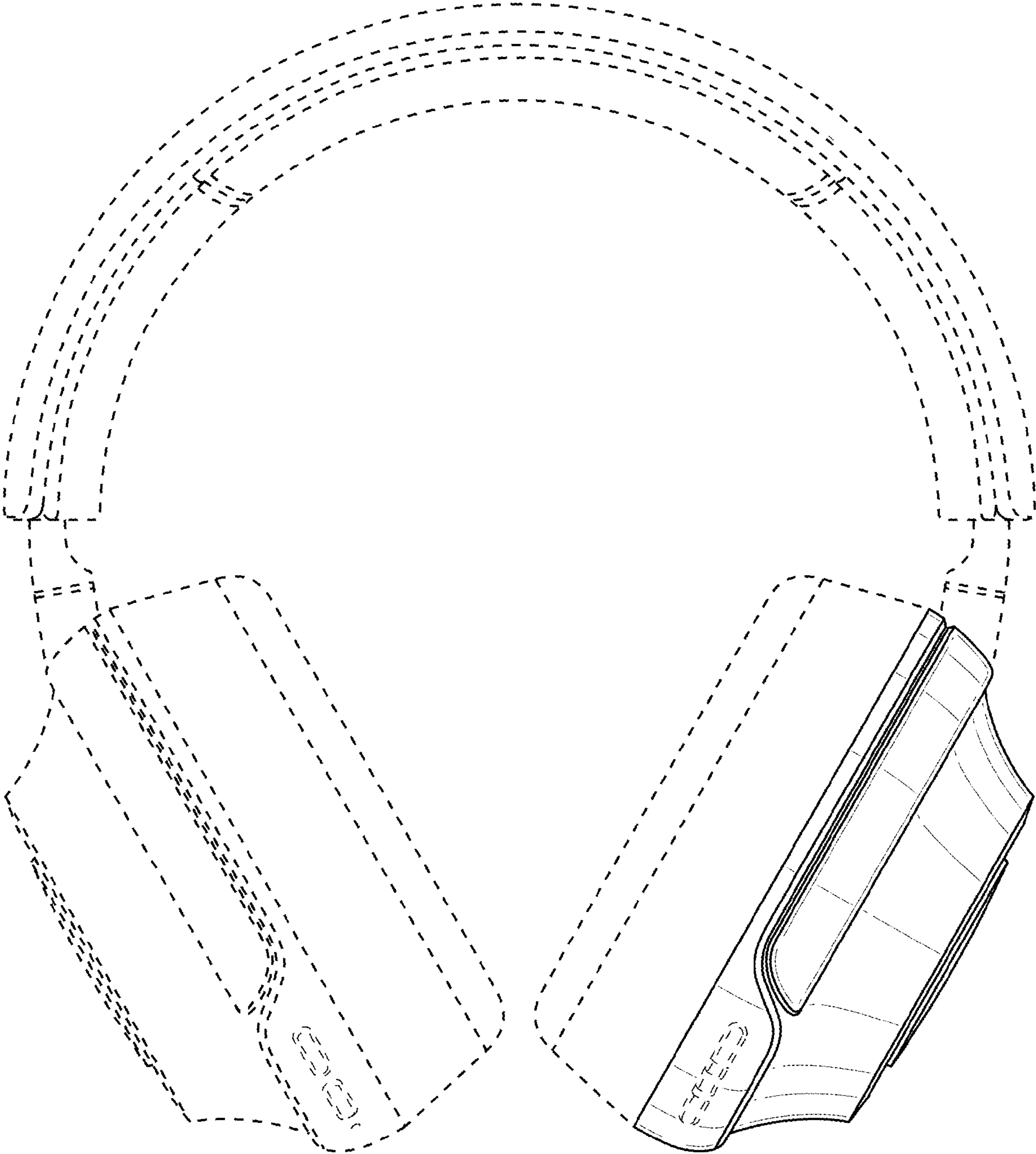
\* cited by examiner



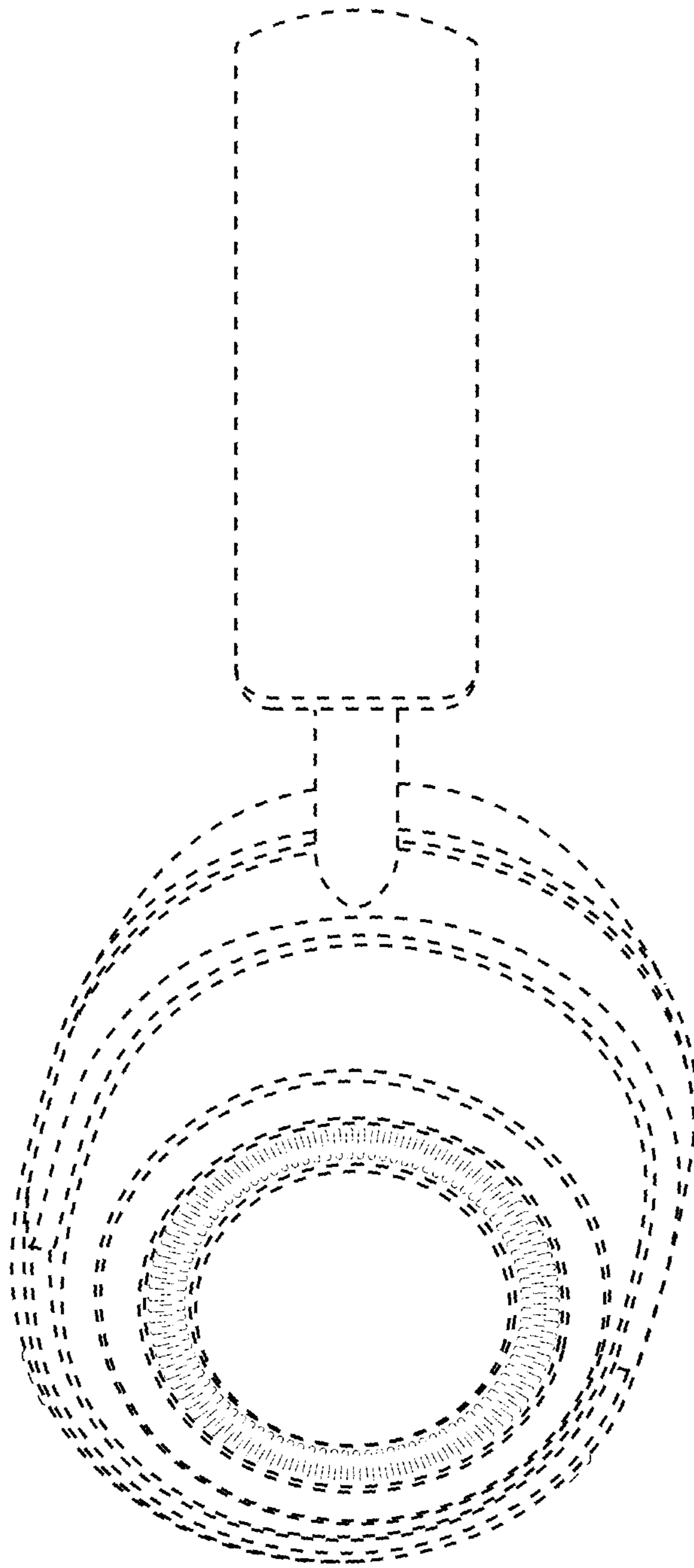
**FIG. 1**



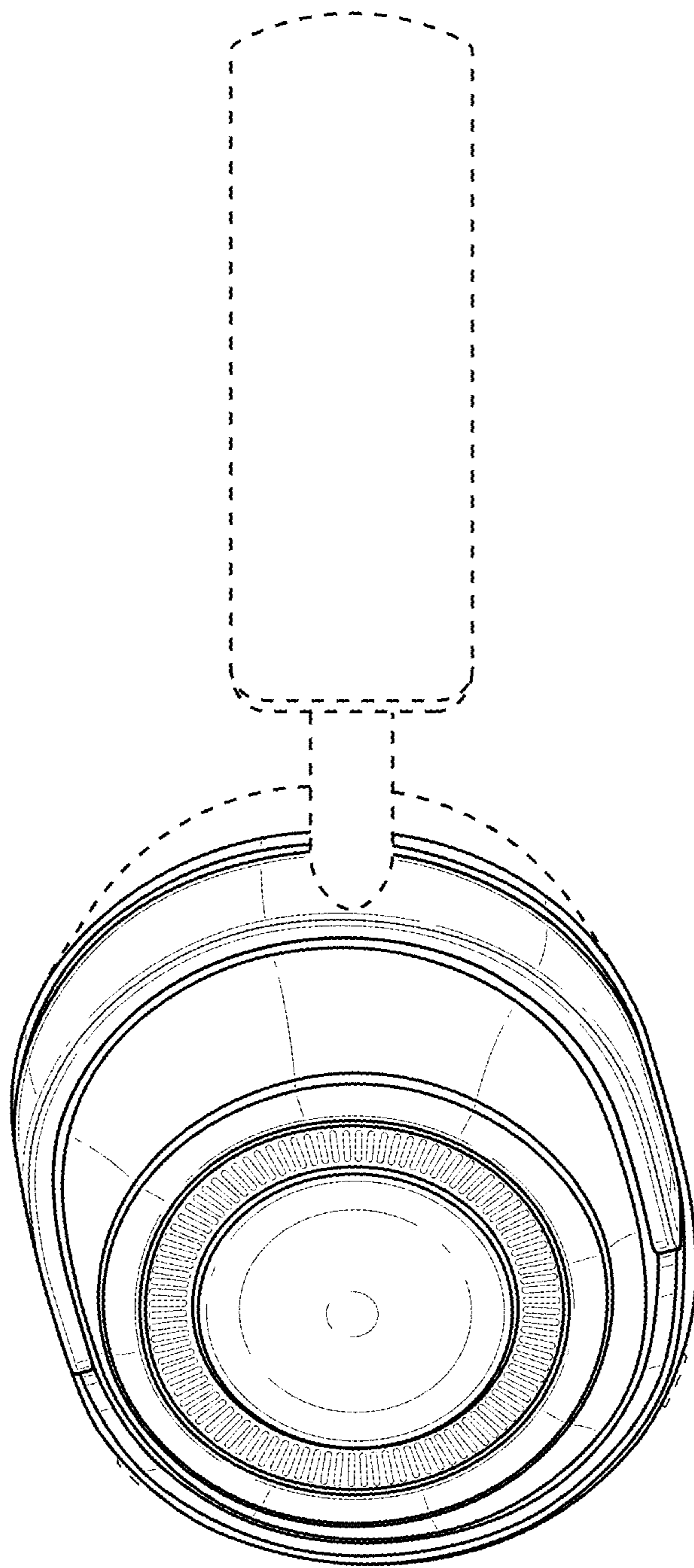
**FIG. 2**



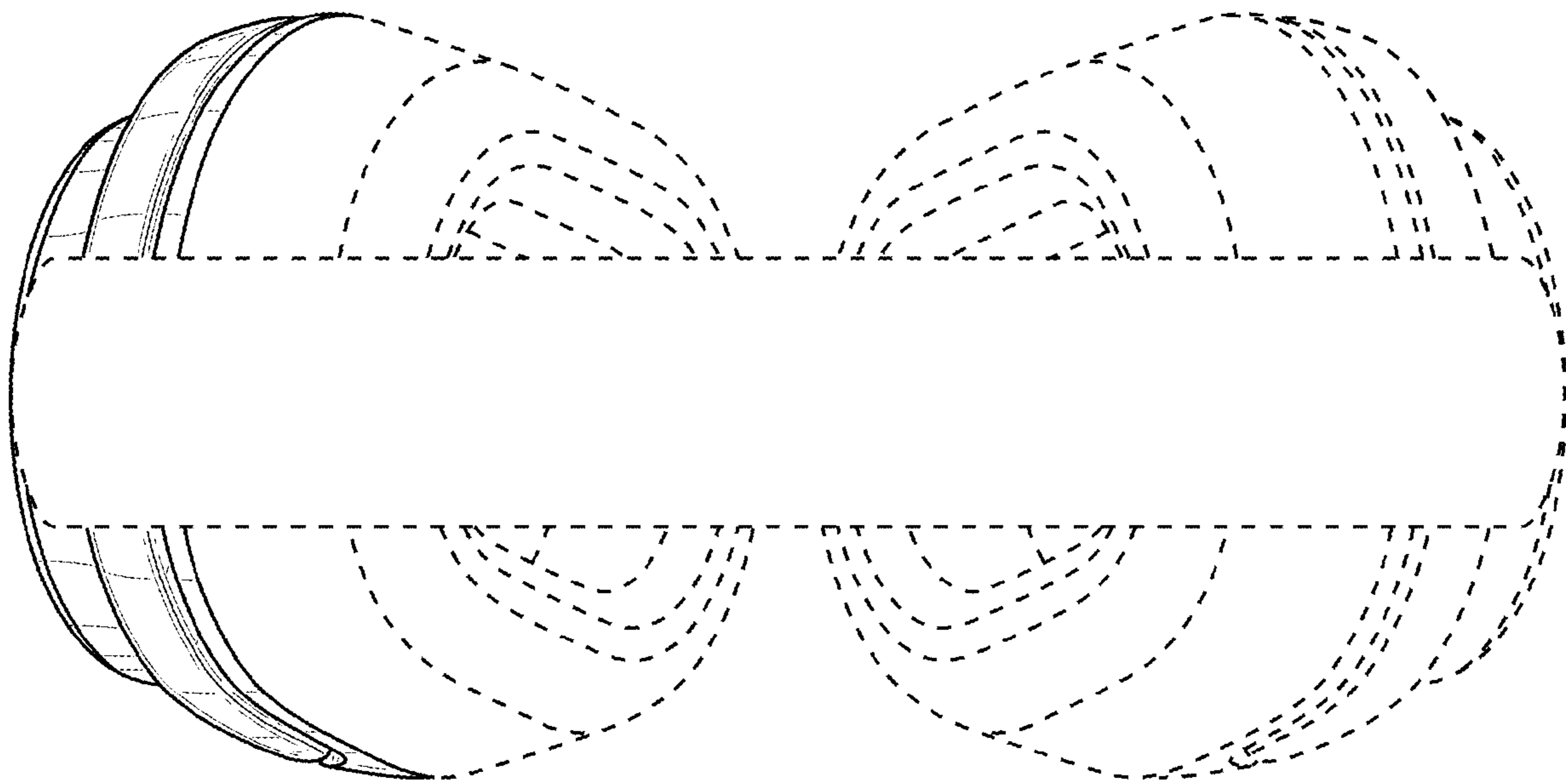
**FIG. 3**



**FIG. 4**

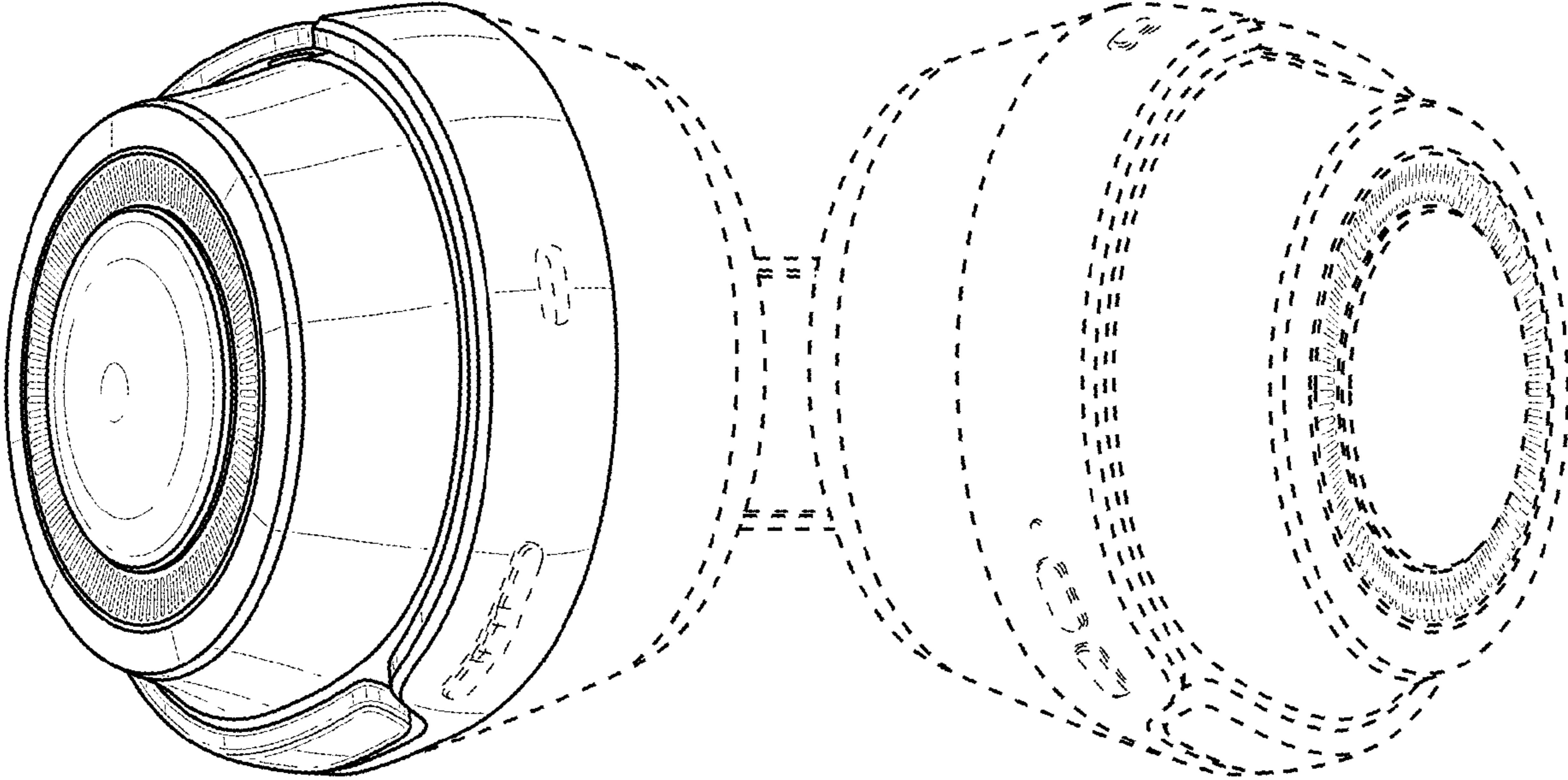


**FIG. 5**



**FIG. 6**





**FIG. 7**