



US00D978824S

(12) **United States Design Patent**
McClellan

(10) **Patent No.:** **US D978,824 S**

(45) **Date of Patent:** **** Feb. 21, 2023**

(54) **SPEAKER**

(71) Applicant: **Merchsource, LLC**, Irvine, CA (US)

(72) Inventor: **Samuel Joseph McClellan**, Venice, CA (US)

(73) Assignee: **MerchSource, LLC**, Irvine, CA (US)

(**) Term: **15 Years**

(21) Appl. No.: **29/775,005**

(22) Filed: **Mar. 19, 2021**

(51) **LOC (14) Cl.** **14-01**

(52) **U.S. Cl.**

USPC **D14/204**

(58) **Field of Classification Search**

USPC D26/51; D14/172, 204, 215, 216;
D9/451, 504, 505

CPC H04R 1/02; H04R 1/026; H04R 2201/02
See application file for complete search history.

(56) **References Cited**

U.S. PATENT DOCUMENTS

| | | | | |
|--------------|---------|---------------|-------|---------|
| D591,267 S * | 4/2009 | Files | | D12/114 |
| D690,285 S * | 9/2013 | Breines | | D14/207 |
| D692,460 S * | 10/2013 | Zunker | | D14/496 |
| D701,852 S * | 4/2014 | Park | | D14/207 |
| D709,335 S * | 7/2014 | Stamatopoulos | | D9/503 |
| D726,683 S * | 4/2015 | Breines | | D14/207 |
| D813,841 S * | 3/2018 | Robinson | | D14/215 |
| D819,450 S * | 6/2018 | Vasquez | | D9/451 |
| D855,583 S * | 8/2019 | Capecelatro | | D14/216 |
| D879,070 S * | 3/2020 | Chang | | D14/207 |

| | | | | |
|--------------|---------|--------|-------|---------|
| D881,322 S * | 4/2020 | Cugini | | D22/112 |
| D884,668 S * | 5/2020 | Kim | | D14/204 |
| D905,049 S * | 12/2020 | Lu | | D14/496 |

* cited by examiner

Primary Examiner — Khawaja Anwar

Assistant Examiner — Megan Tiana Rakos

(74) *Attorney, Agent, or Firm* — Avyno Law P.C.

(57) **CLAIM**

I claim the ornamental design for a speaker, as shown and described.

DESCRIPTION

FIG. 1 is a top front perspective view of a speaker of the present invention.

FIG. 2 is a bottom, rear perspective view of the speaker of FIG. 1.

FIG. 3 is a front elevation view of the speaker of FIG. 1.

FIG. 4 is a rear elevation view of the speaker of FIG. 1.

FIG. 5 is a side elevation view of the right side of the speaker of FIG. 1.

FIG. 6 is a side elevation view of the left side of the speaker of FIG. 1.

FIG. 7 is a top plan view of the speaker of FIG. 1.

FIG. 8 is a bottom plan view of the speaker of FIG. 1; and,

FIG. 9 is a side elevation view of the right side of an alternative arrangement of the speaker of FIG. 1 showing the ring on the top of the speaker in FIGS. 1-8 positioned on the bottom of the speaker and being used as a support for the speaker.

In the drawings, the broken lines depict portions of the speaker that form no part of the claimed design.

1 Claim, 9 Drawing Sheets

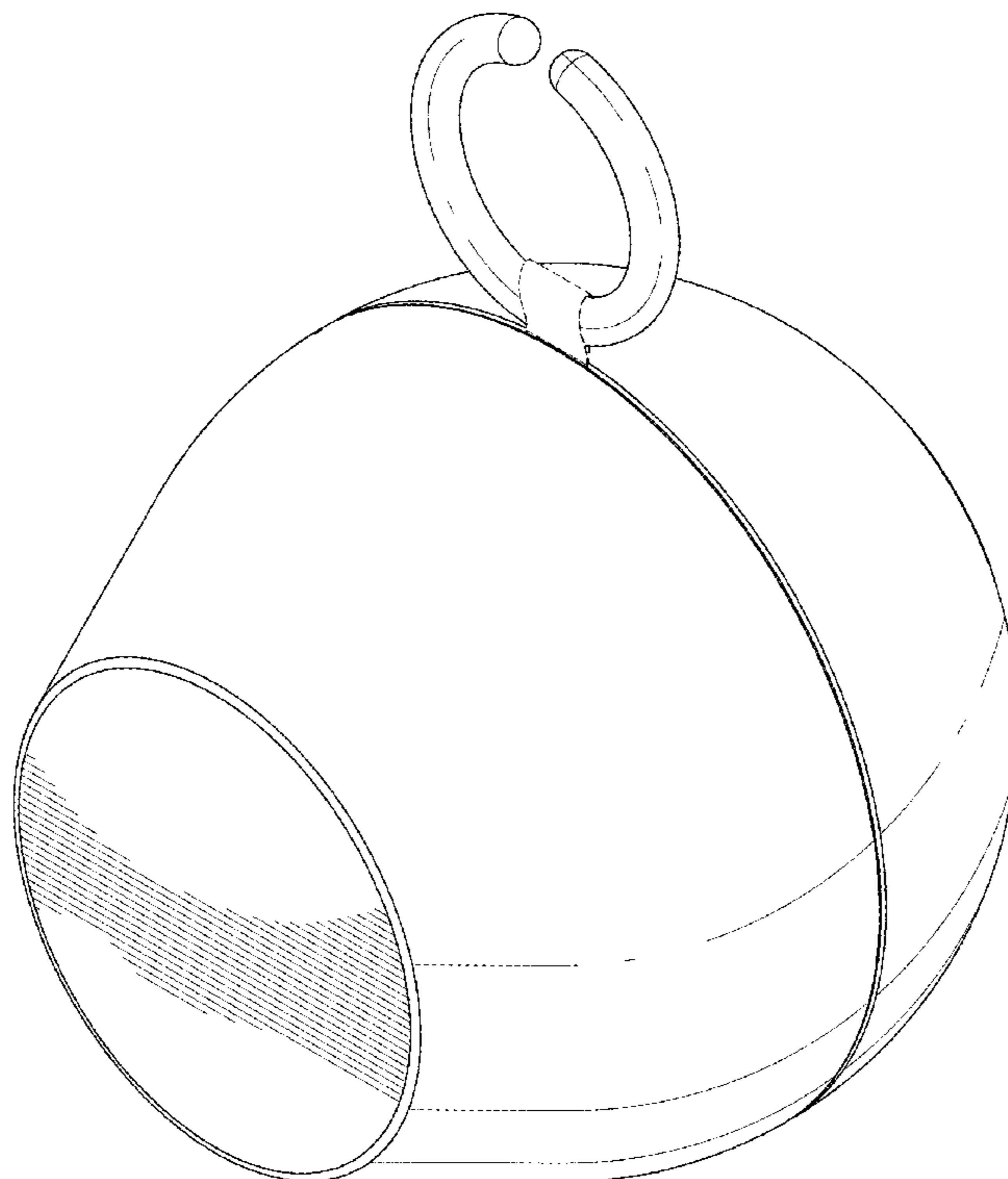
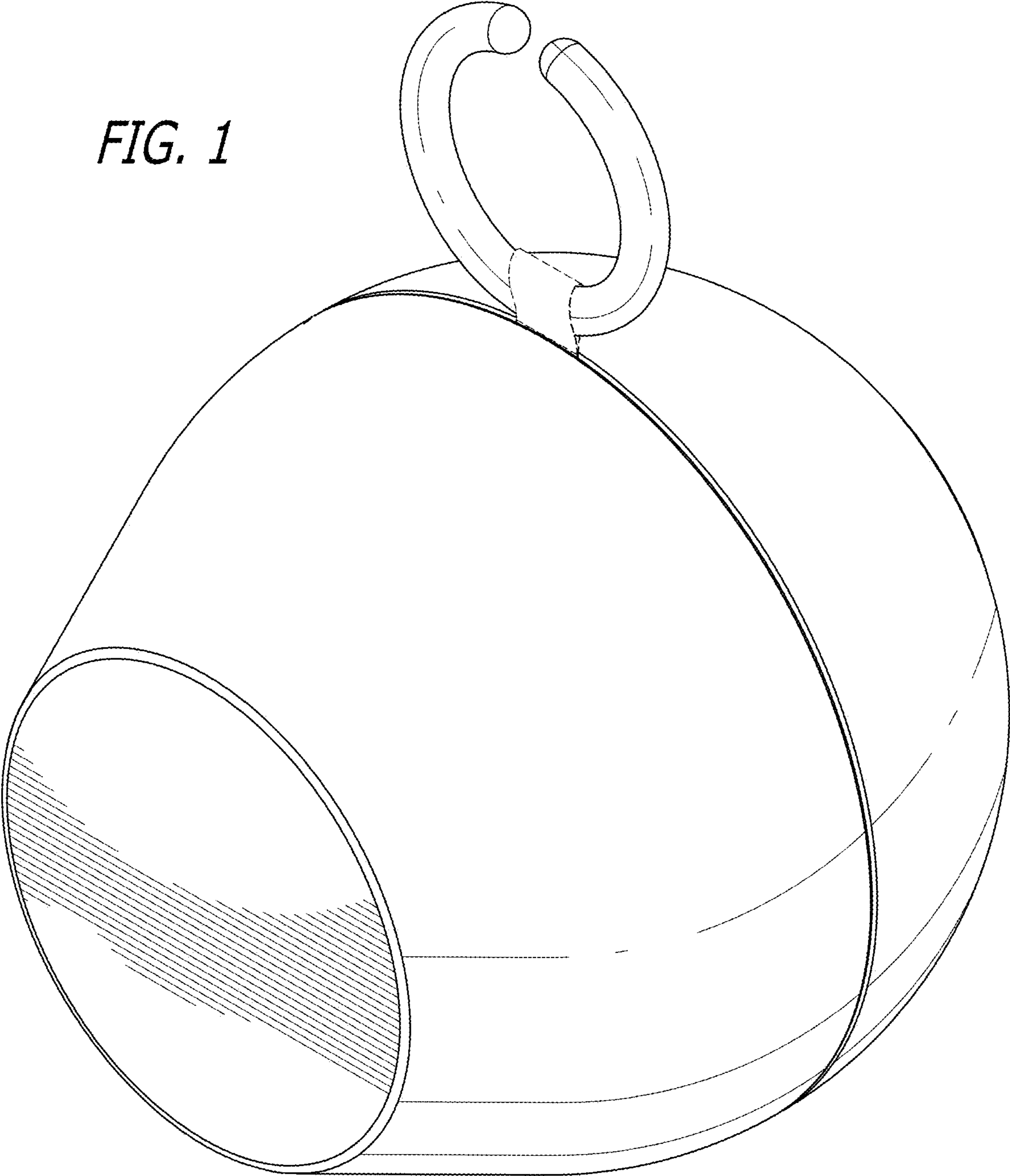


FIG. 1



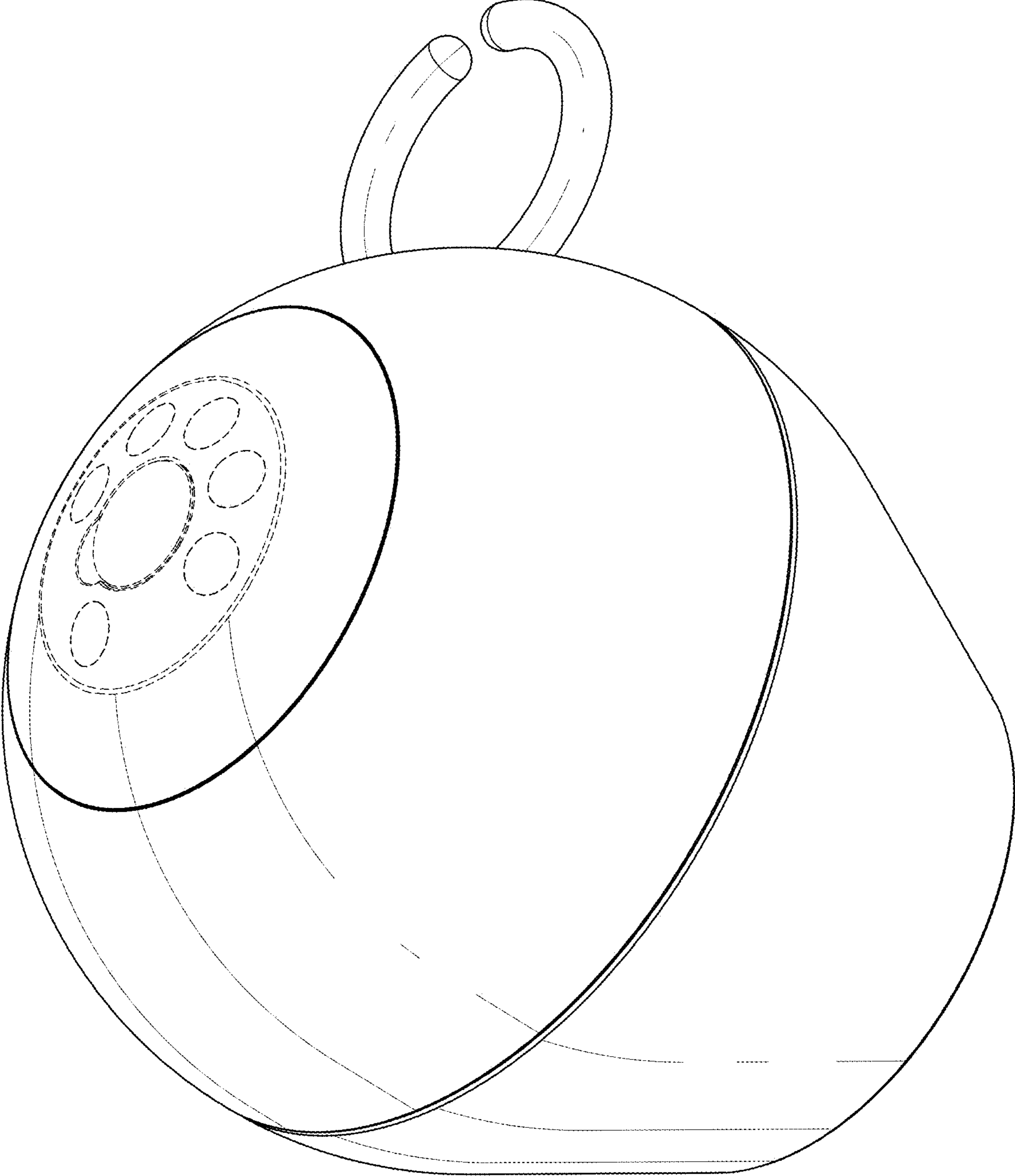


FIG. 2

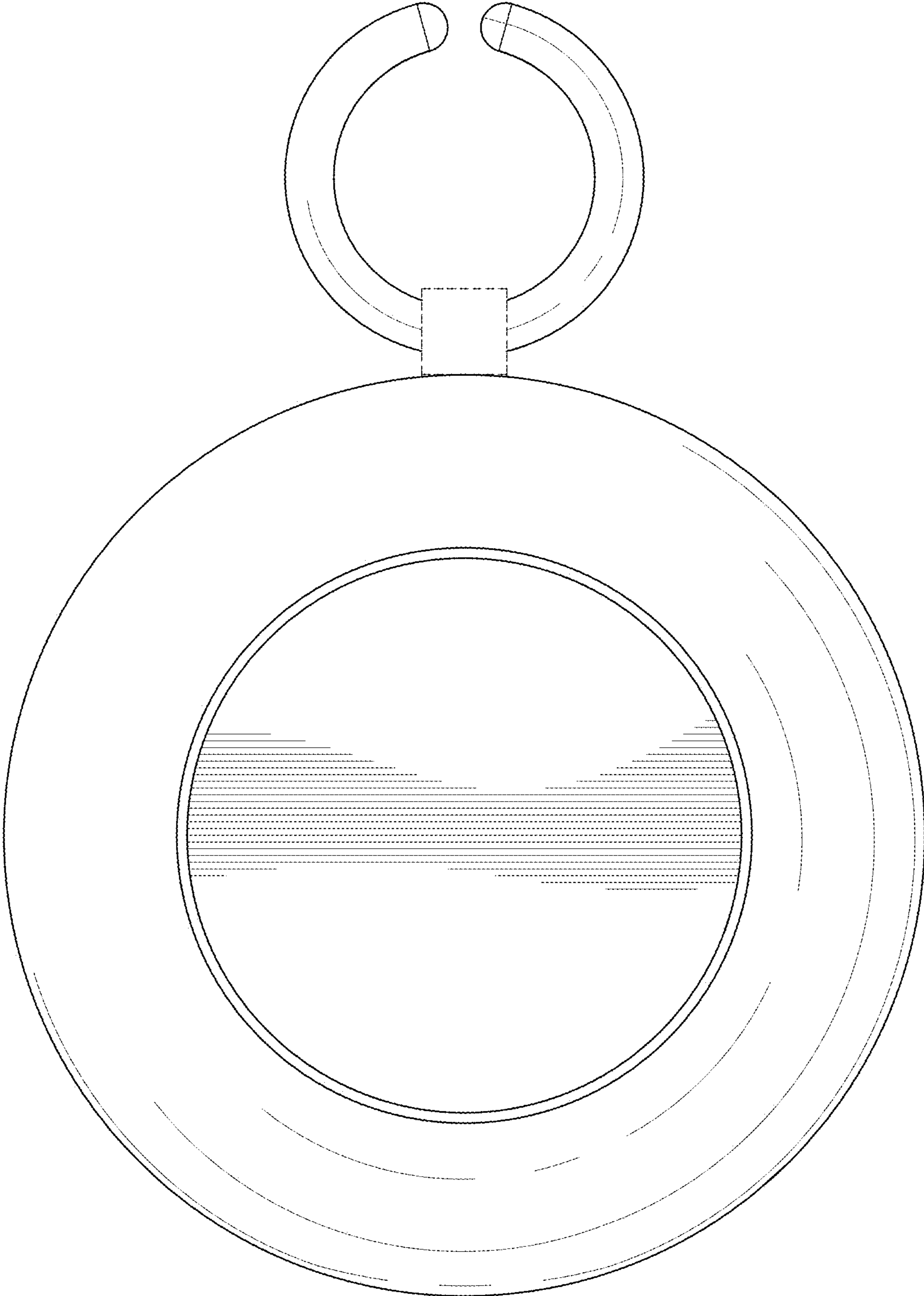


FIG. 3

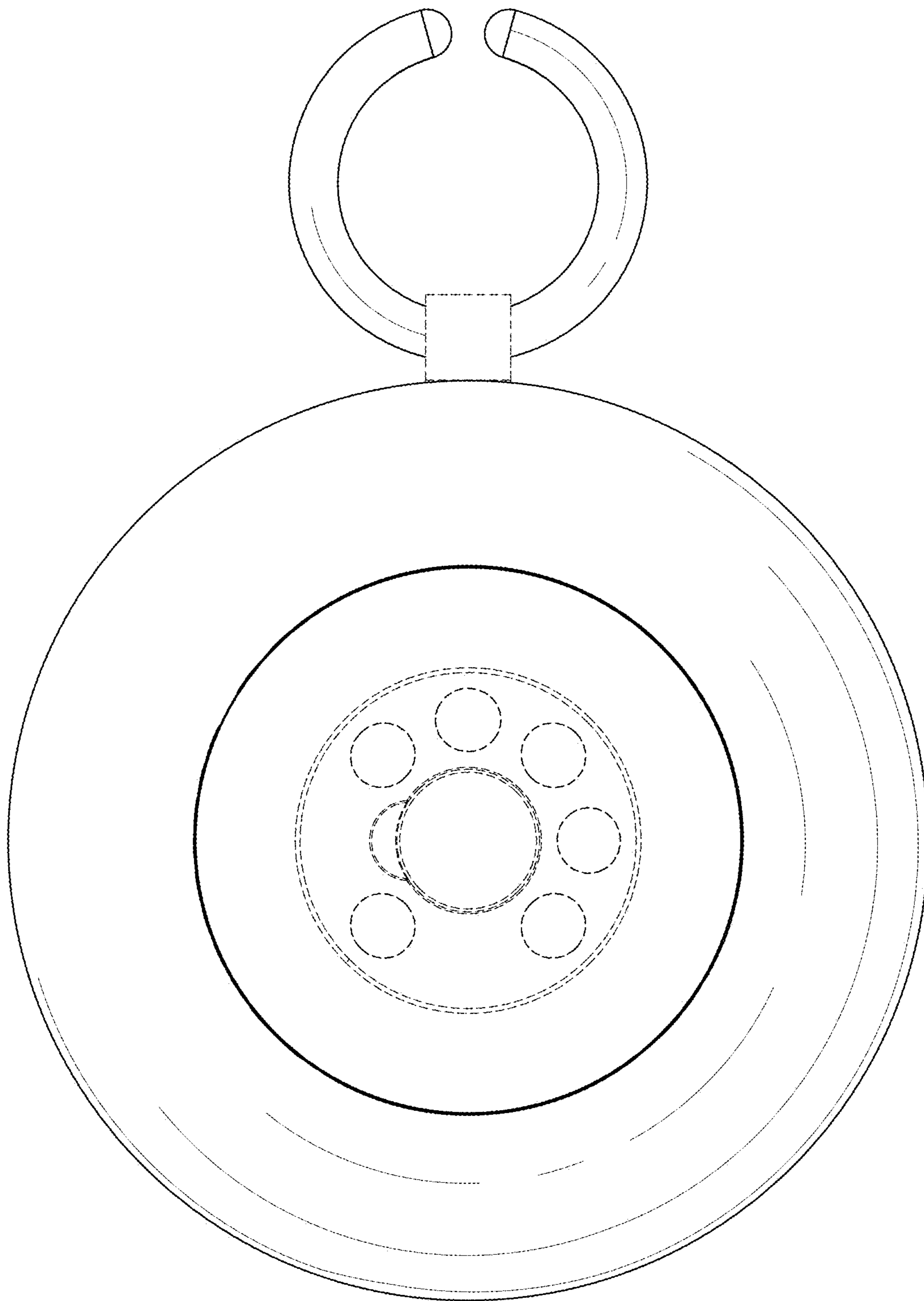


FIG. 4

FIG. 5

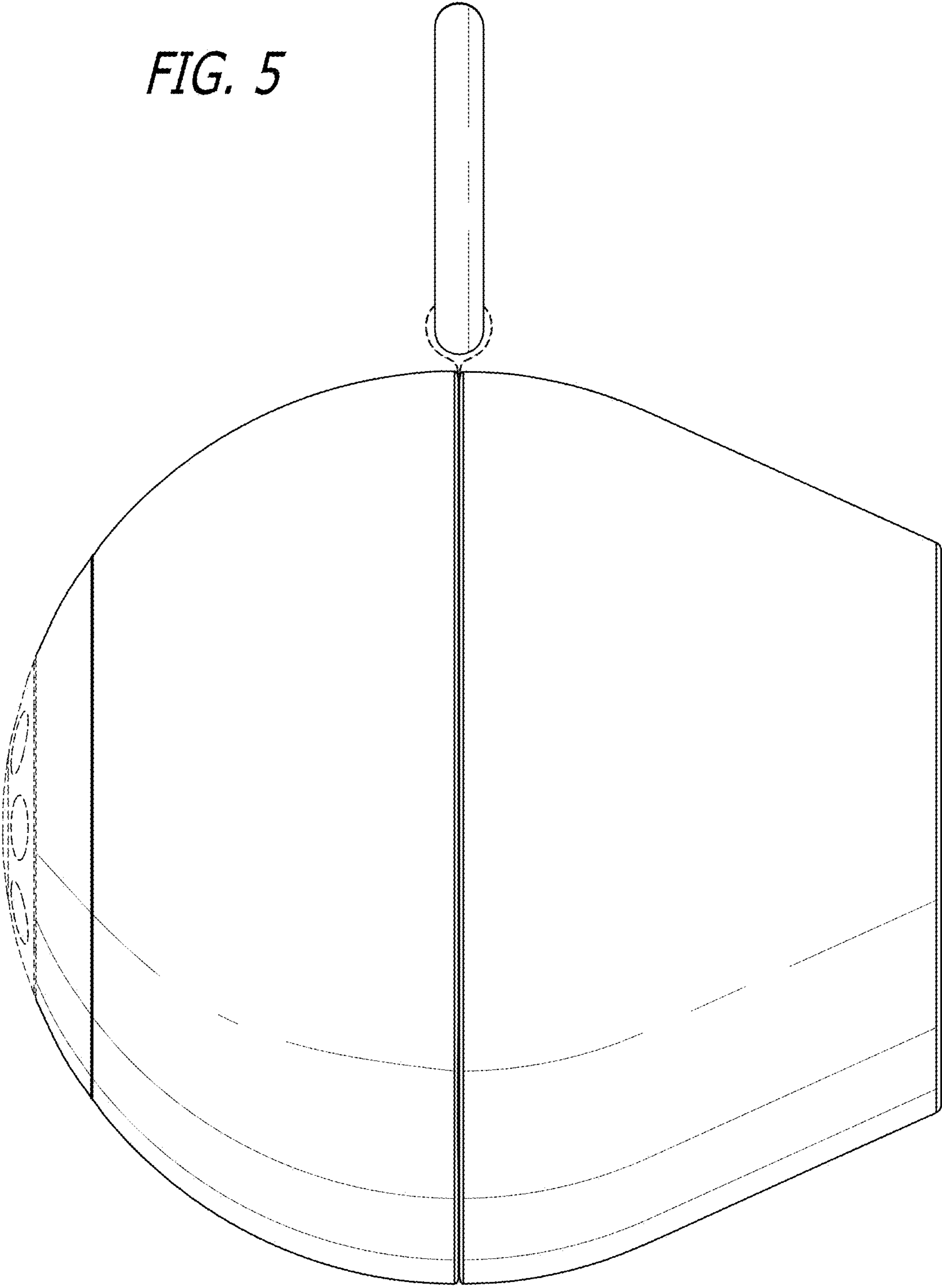
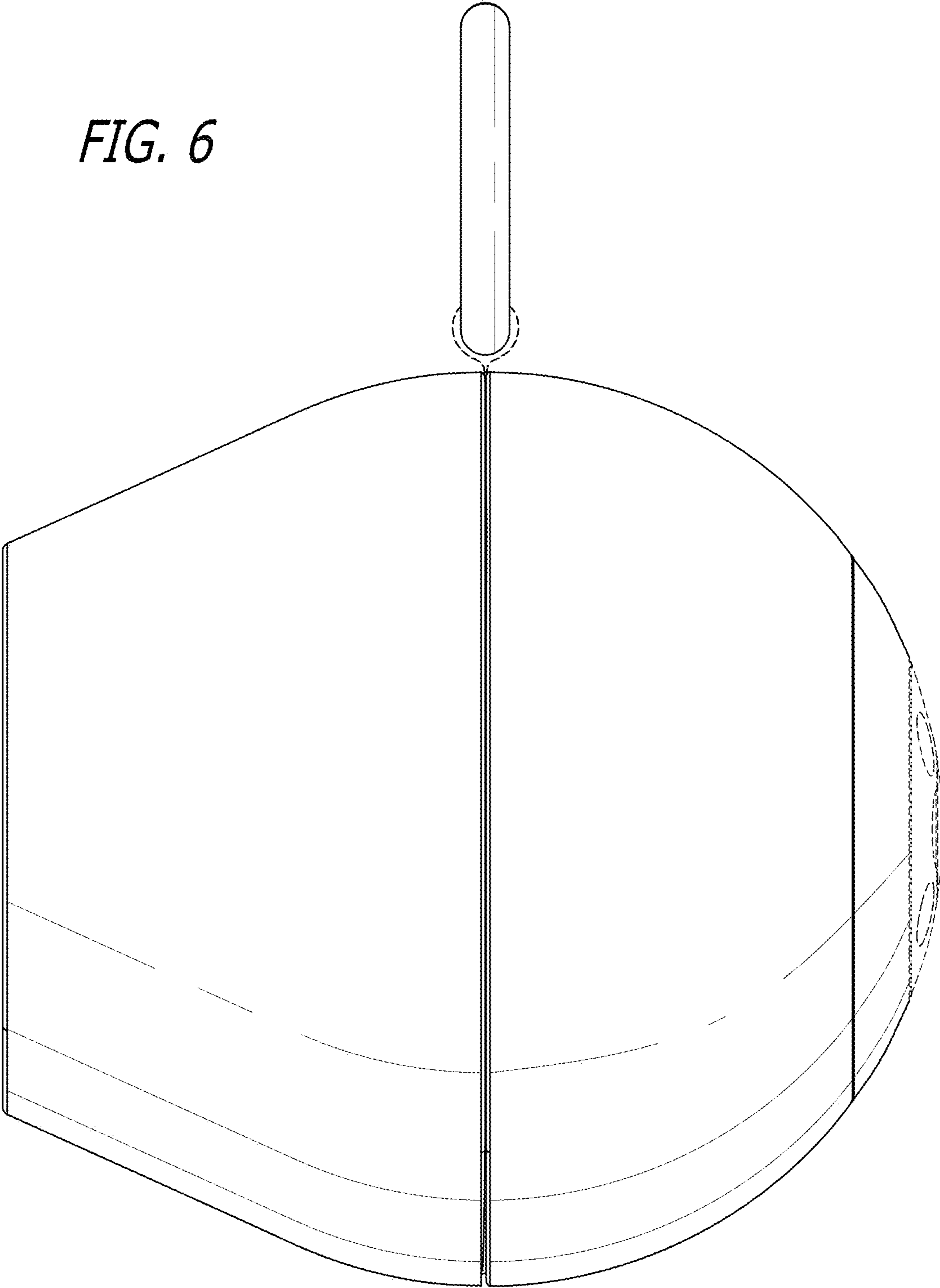


FIG. 6



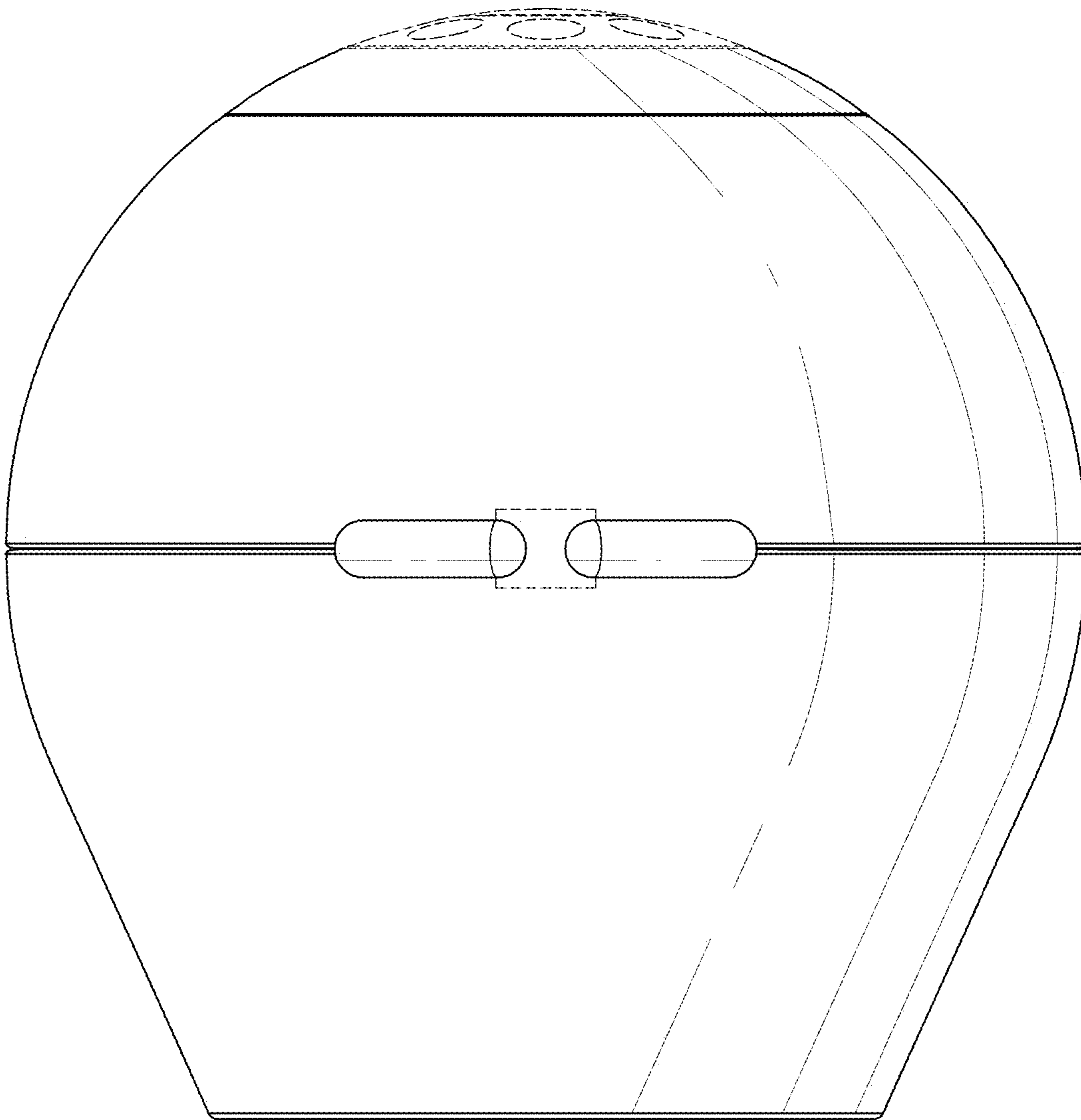


FIG. 7

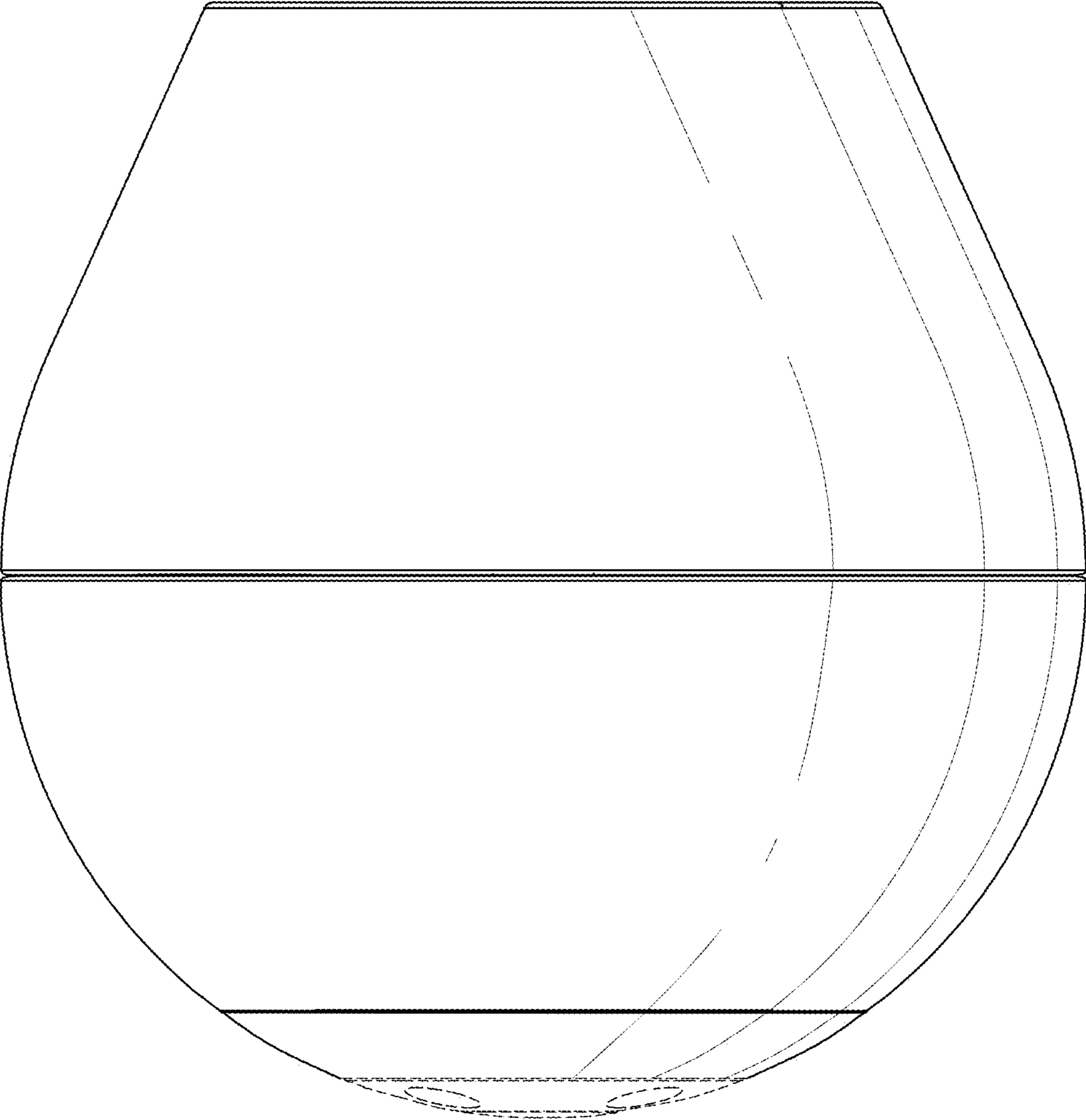


FIG. 8

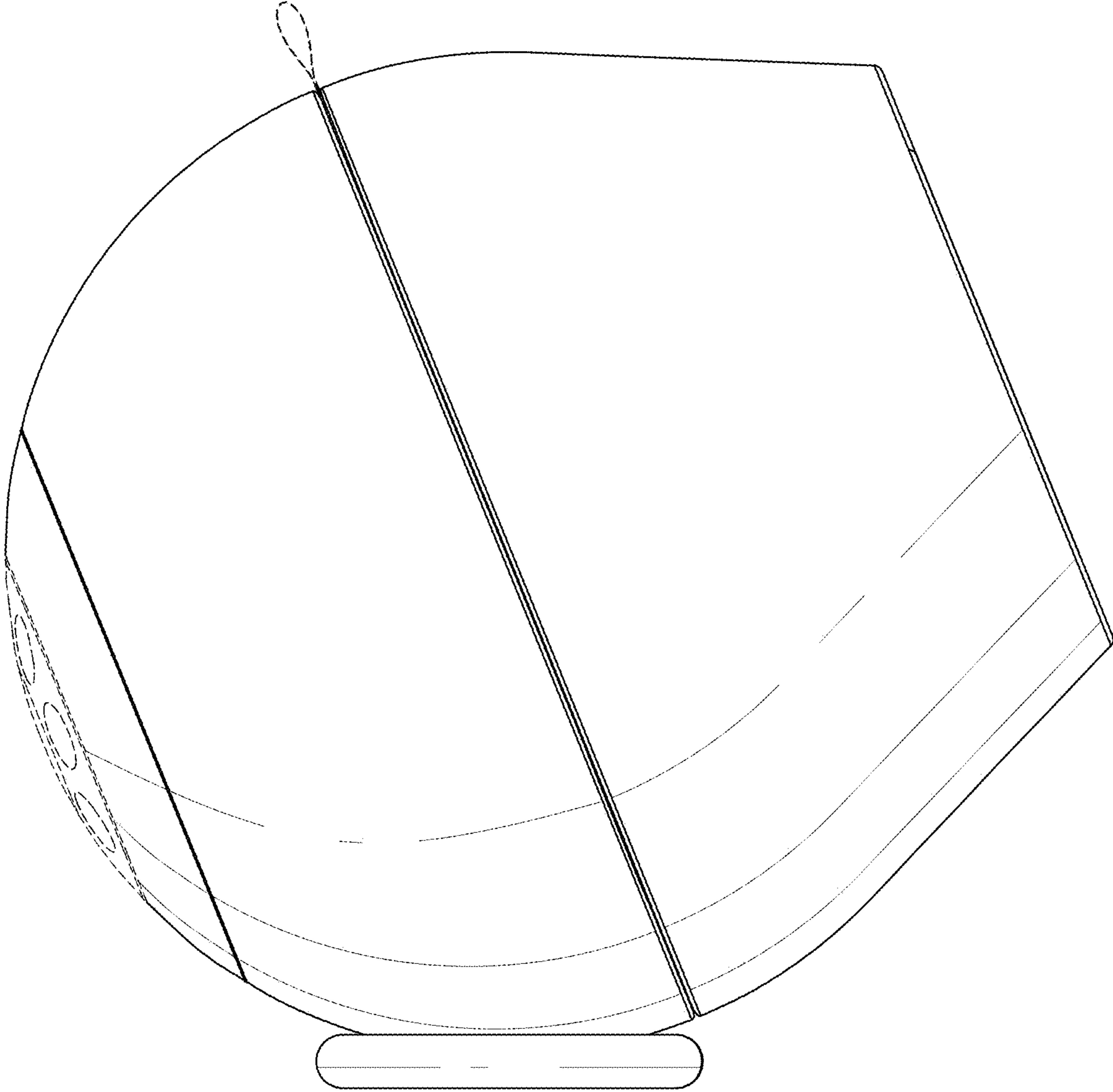


FIG. 9