



US00D978823S

(12) **United States Design Patent**
Pang

(10) **Patent No.:** **US D978,823 S**

(45) **Date of Patent:** **** Feb. 21, 2023**

(54) **RADIO**

(71) Applicant: **Liping Pang**, Guangdong (CN)

(72) Inventor: **Liping Pang**, Guangdong (CN)

(**) Term: **15 Years**

(21) Appl. No.: **29/842,833**

(22) Filed: **Jun. 16, 2022**

(51) **LOC (14) Cl.** **14-03**

(52) **U.S. Cl.**
USPC **D14/188**

(58) **Field of Classification Search**

USPC D14/155, 188, 496; 248/216; 16/250,
16/251

CPC H04R 1/021; H04R 1/02; H03F 1/0227;
F21L 4/027

See application file for complete search history.

(56) **References Cited**

U.S. PATENT DOCUMENTS

D658,628 S	*	5/2012	Hahner	D14/196
D719,130 S		12/2014	Crane et al.		
D851,056 S	*	6/2019	Zeng	D14/188
D863,251 S	*	10/2019	Crane	D14/194
D936,629 S	*	11/2021	Lu	D14/155
D950,513 S	*	5/2022	Ou	D14/155
D959,402 S	*	8/2022	Li	D14/188

* cited by examiner

Primary Examiner — Cynthia R Underwood

(57) **CLAIM**

The ornamental design for a radio, as shown and described.

DESCRIPTION

FIG. 1 is a front and top perspective view of a first embodiment of a radio, showing my new design;

FIG. 2 is a rear and bottom perspective view thereof;

FIG. 3 is a front elevation view thereof;

FIG. 4 is a rear elevation view thereof;

FIG. 5 is a left side elevation view thereof;

FIG. 6 is a right side elevation view thereof;

FIG. 7 is a top plan view thereof;

FIG. 8 is a bottom plan view thereof;

FIG. 9 is an enlarged view of a portion indicated with numeric 9 in FIG. 1;

FIG. 10 is an enlarged view of a portion indicated with numeric 10 in FIG. 1;

FIG. 11 is a front and top perspective view of a second embodiment of the radio;

FIG. 12 is a rear and bottom perspective view thereof;

FIG. 13 is a front elevation view thereof;

FIG. 14 is a rear elevation view thereof;

FIG. 15 is a left side elevation view thereof;

FIG. 16 is a right side elevation view thereof;

FIG. 17 is a top plan view thereof;

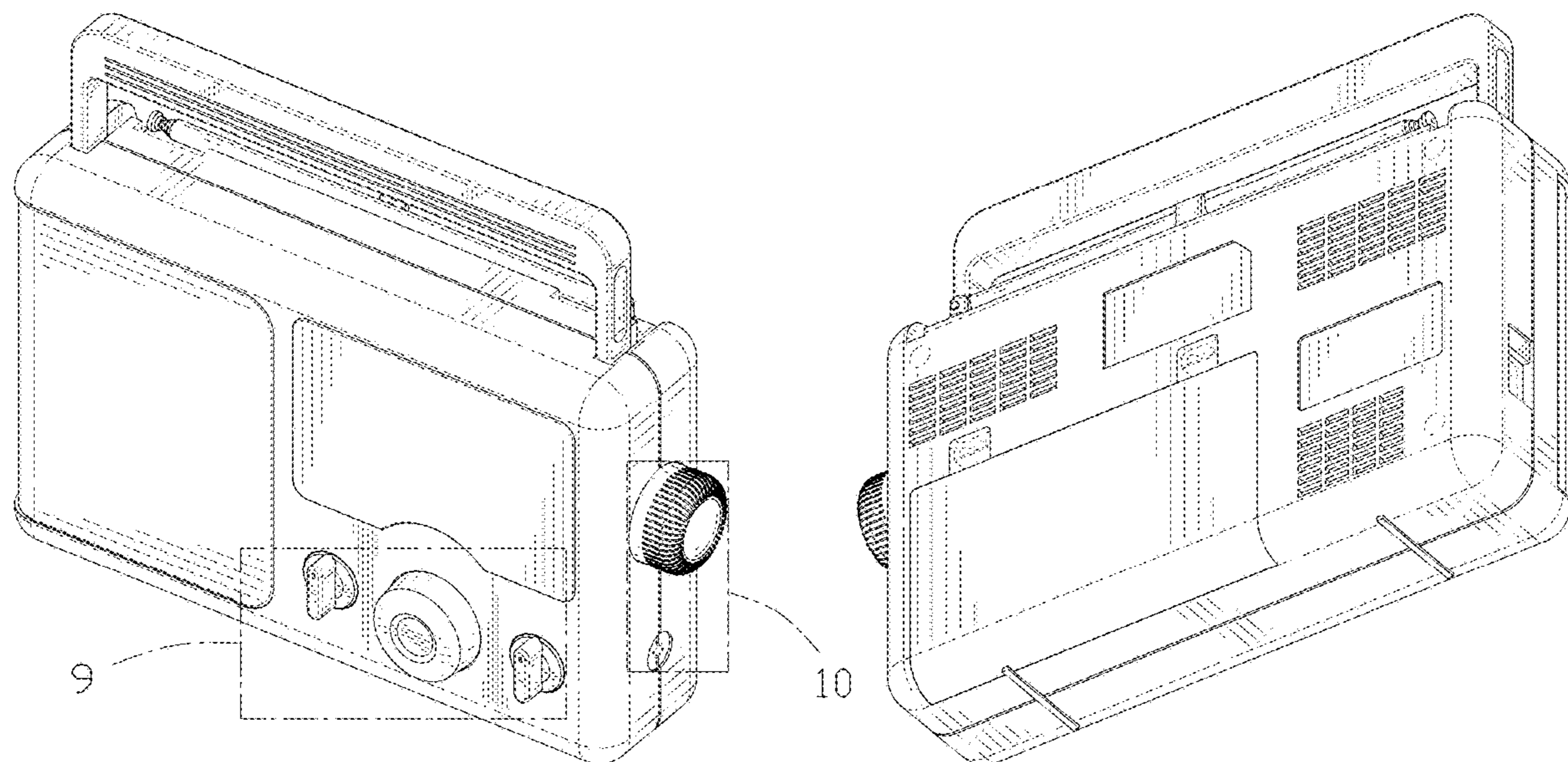
FIG. 18 is a bottom plan view thereof;

FIG. 19 is an enlarged view of a portion indicated with numeric 19 in FIG. 11; and,

FIG. 20 is an enlarged view of a portion indicated with numeric 20 in FIG. 11.

The dashed lines in the figures illustrate portions of the radio that form no part of the claimed design. The dash dot dash, lines, in FIGS. 1, 9, 10, 11, 19 and 20 are for the purpose of depicting the boundary lines of the enlarged views and form no part of the claimed design.

1 Claim, 20 Drawing Sheets



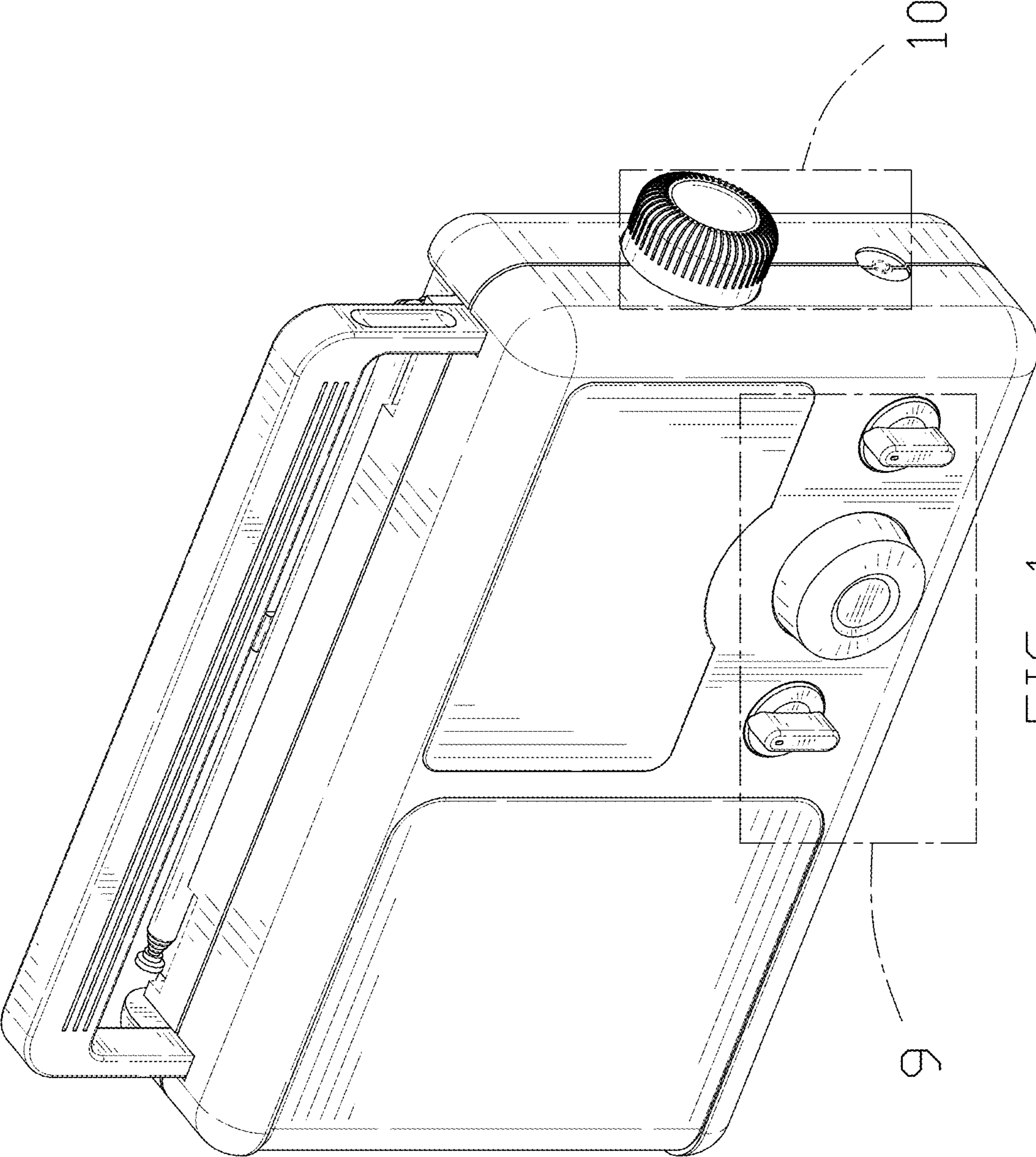


FIG. 1

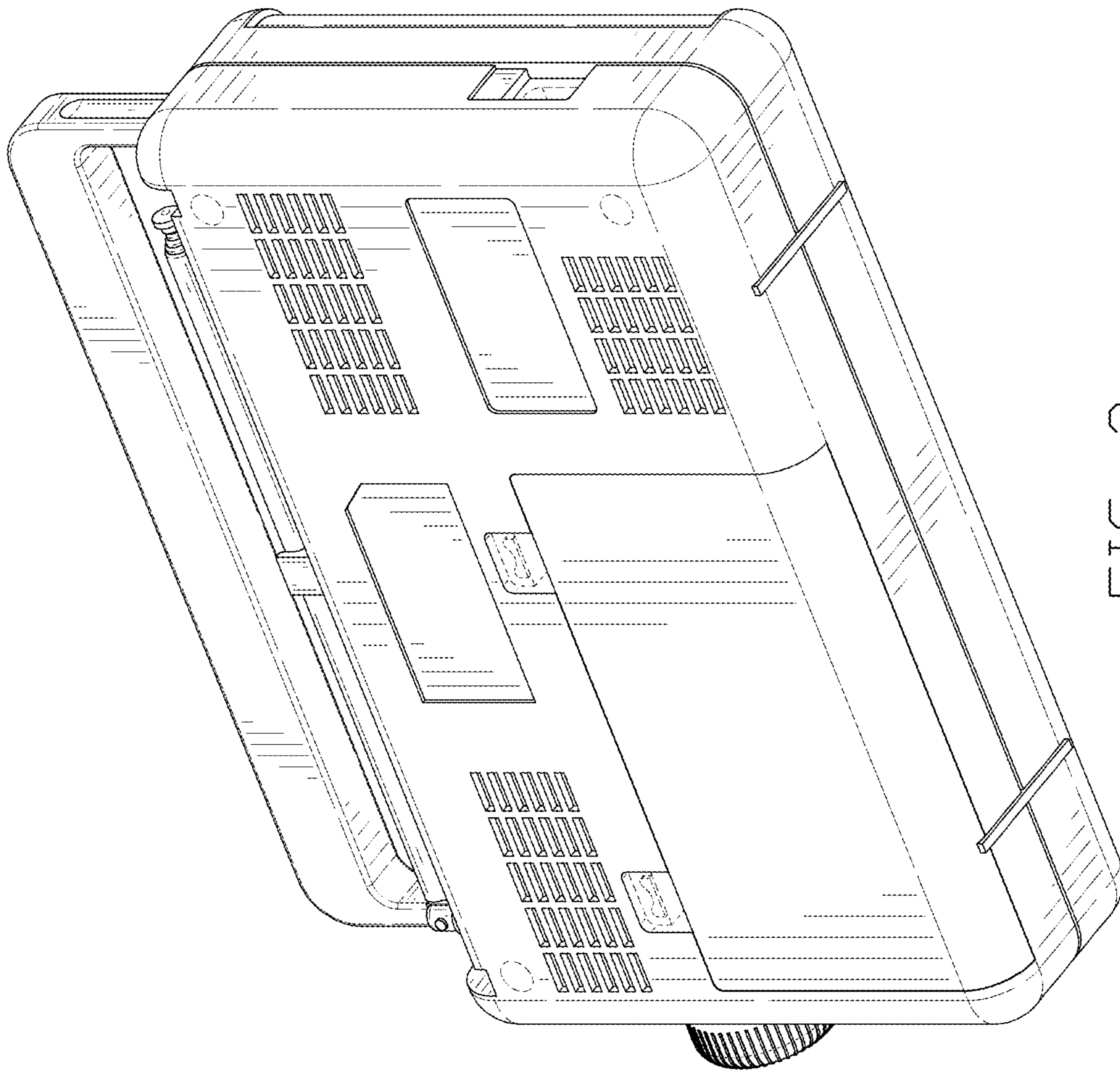


FIG. 2

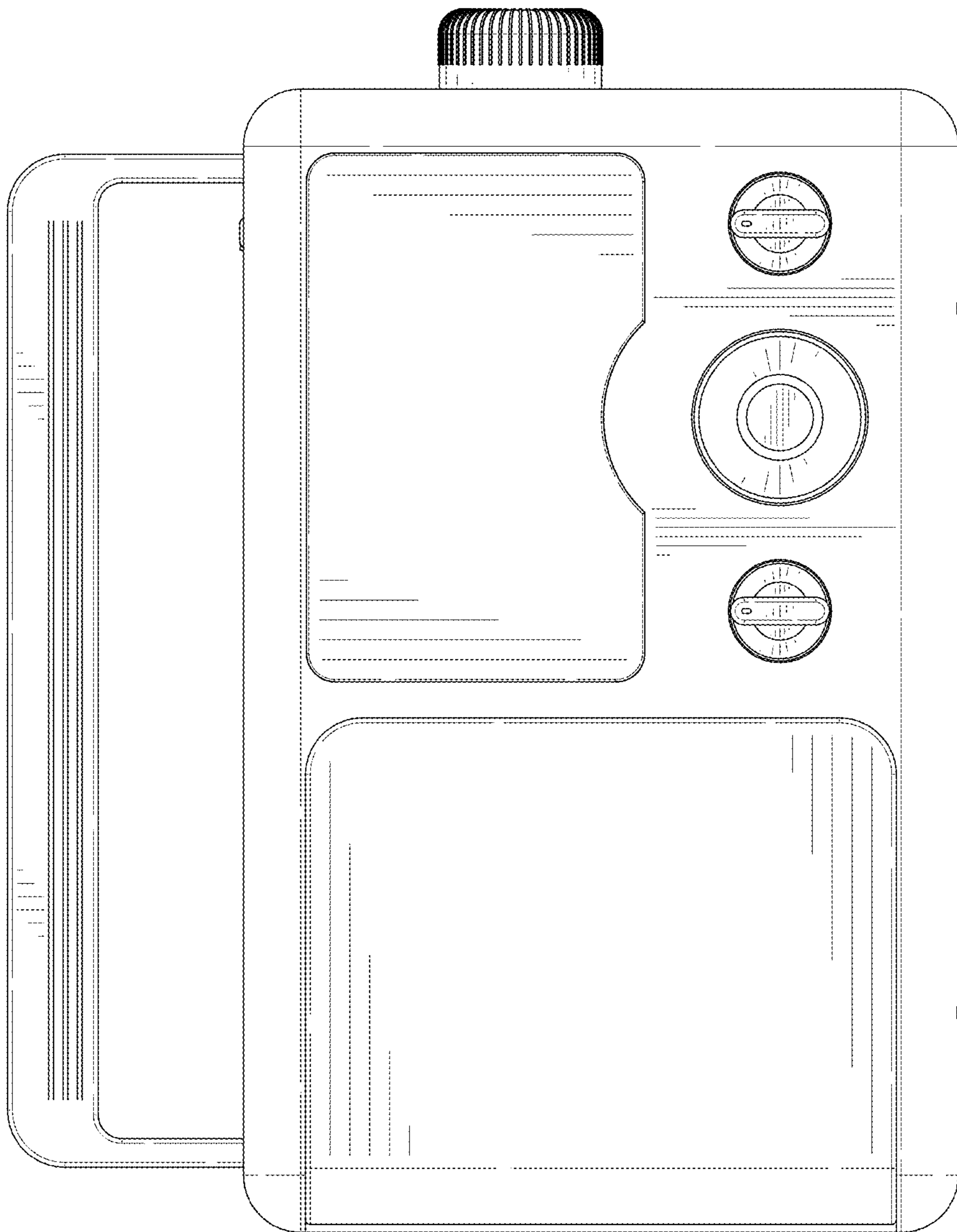


FIG. 3

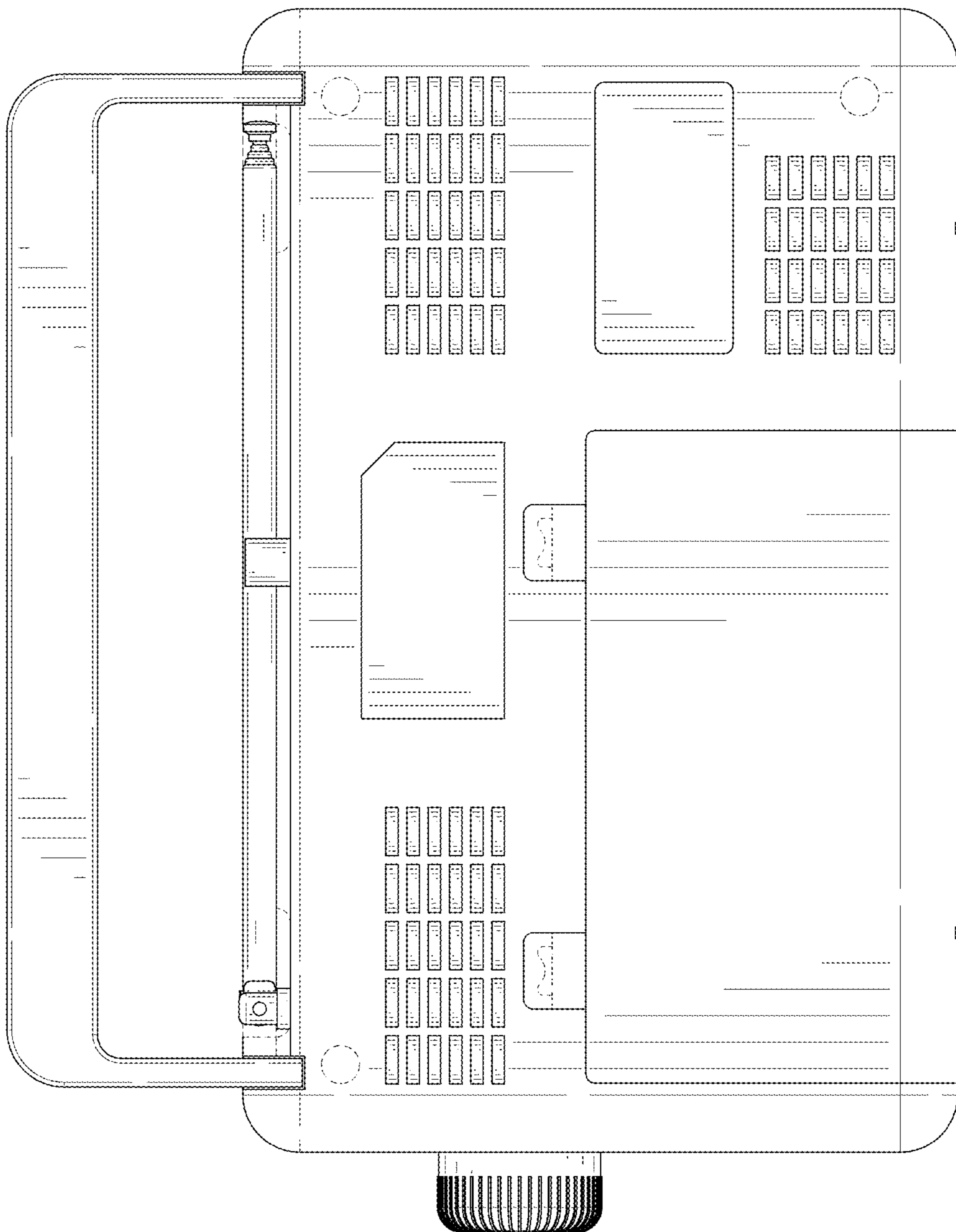


FIG. 4

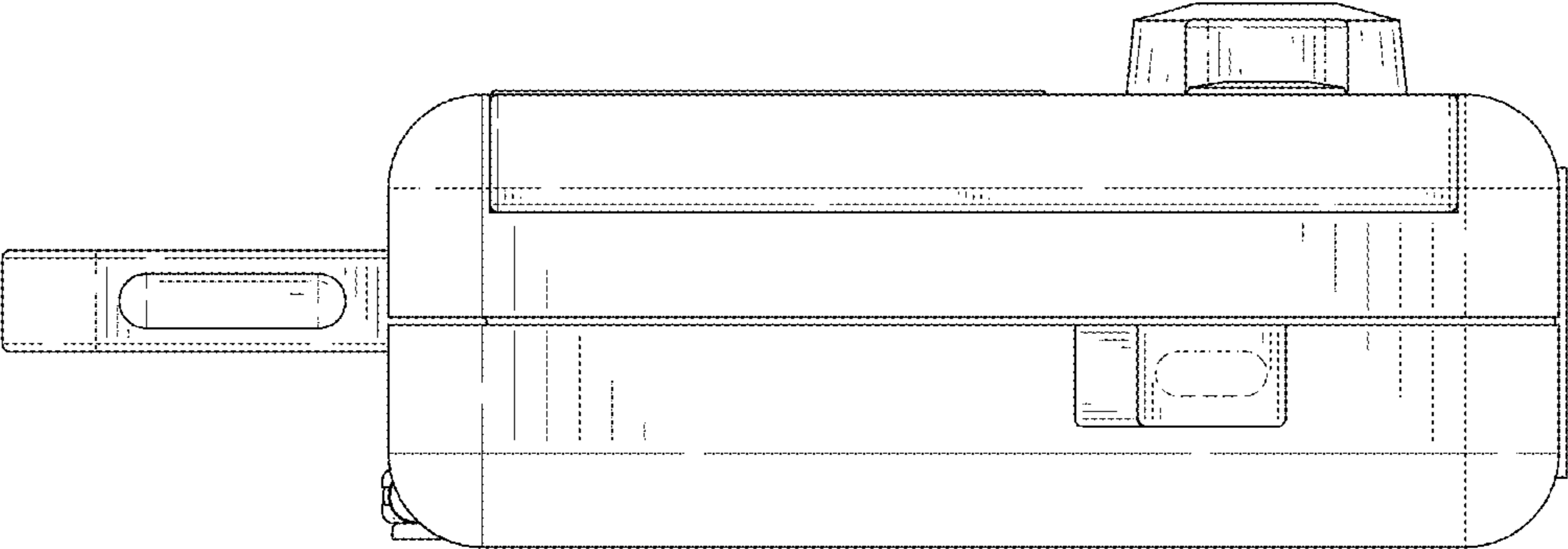


FIG. 5

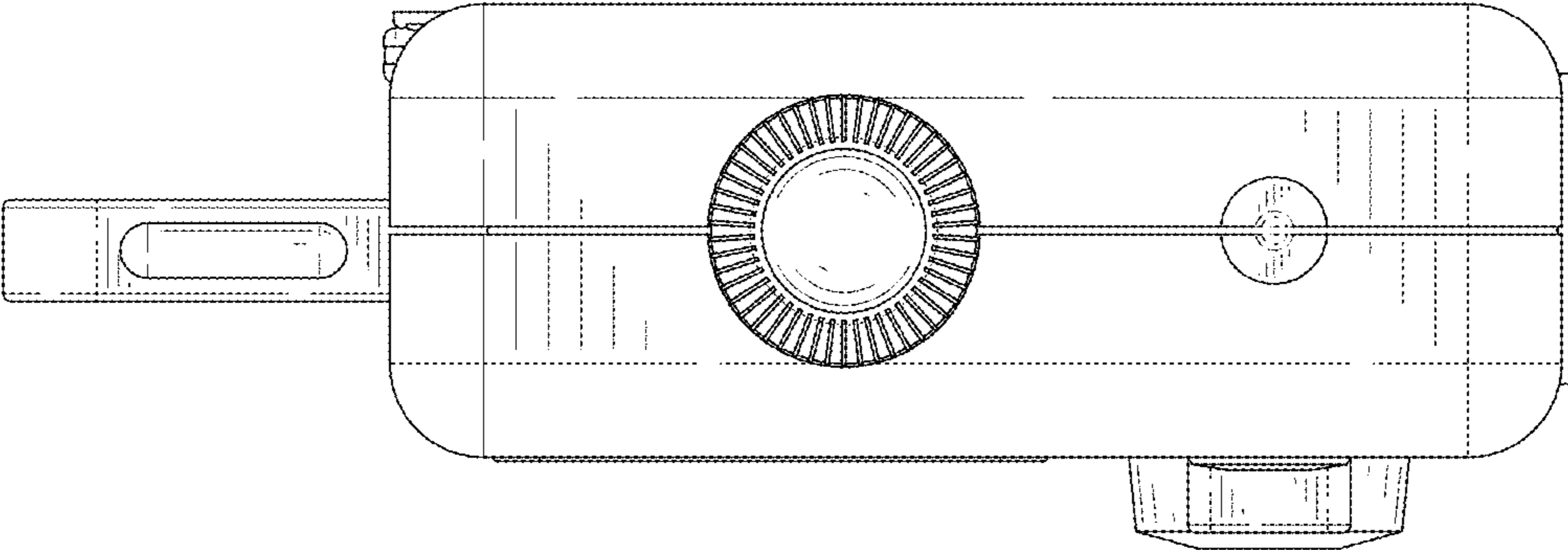


FIG. 6

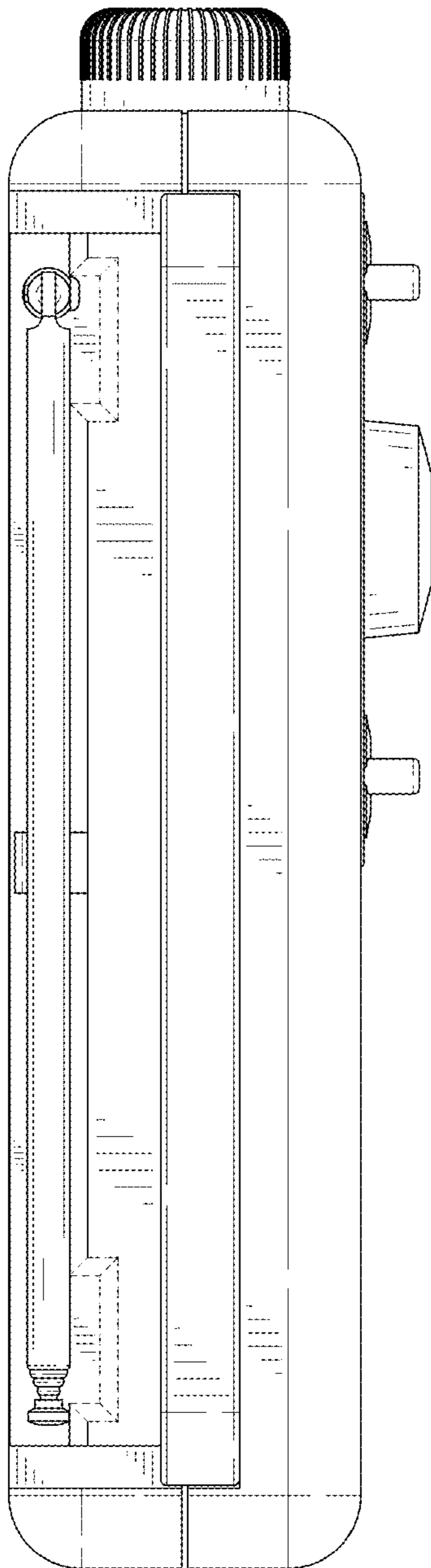


FIG. 7

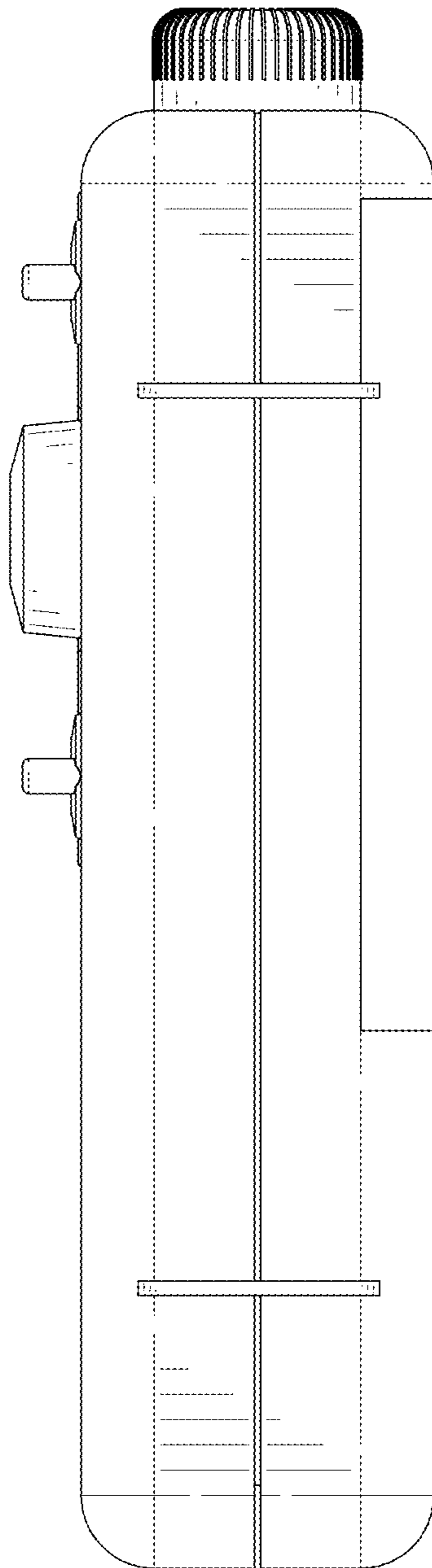


FIG. 8

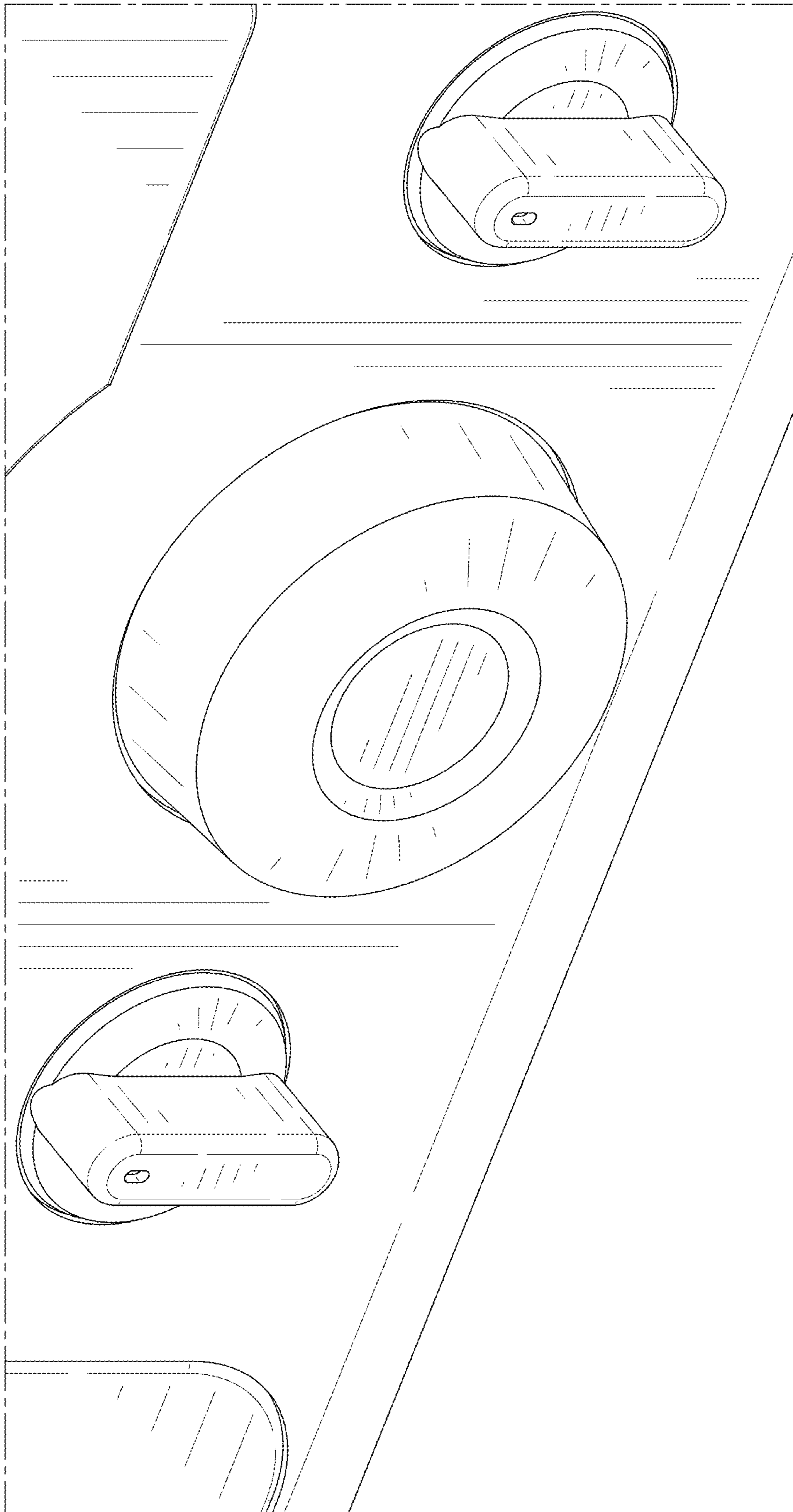


FIG. 9

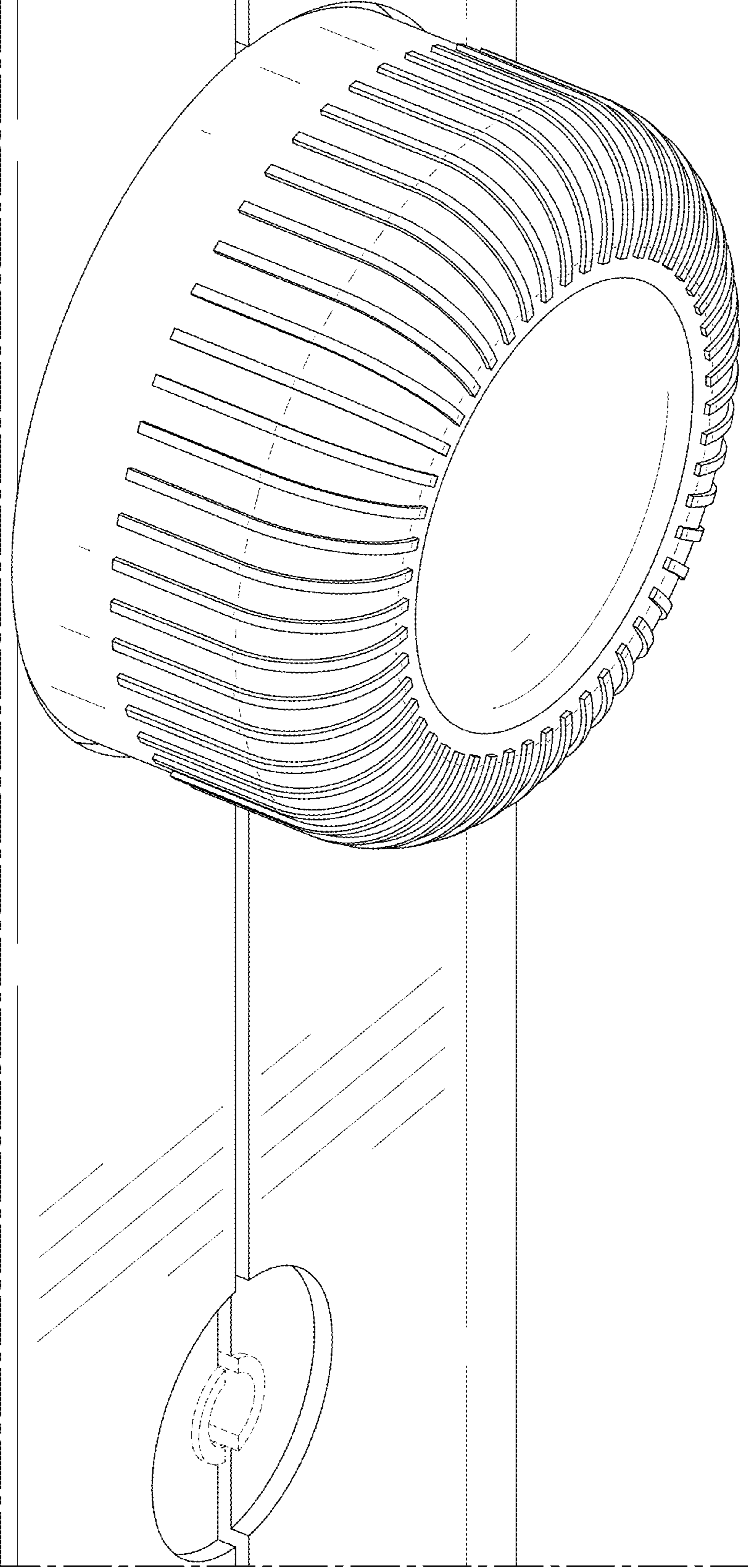


FIG. 10

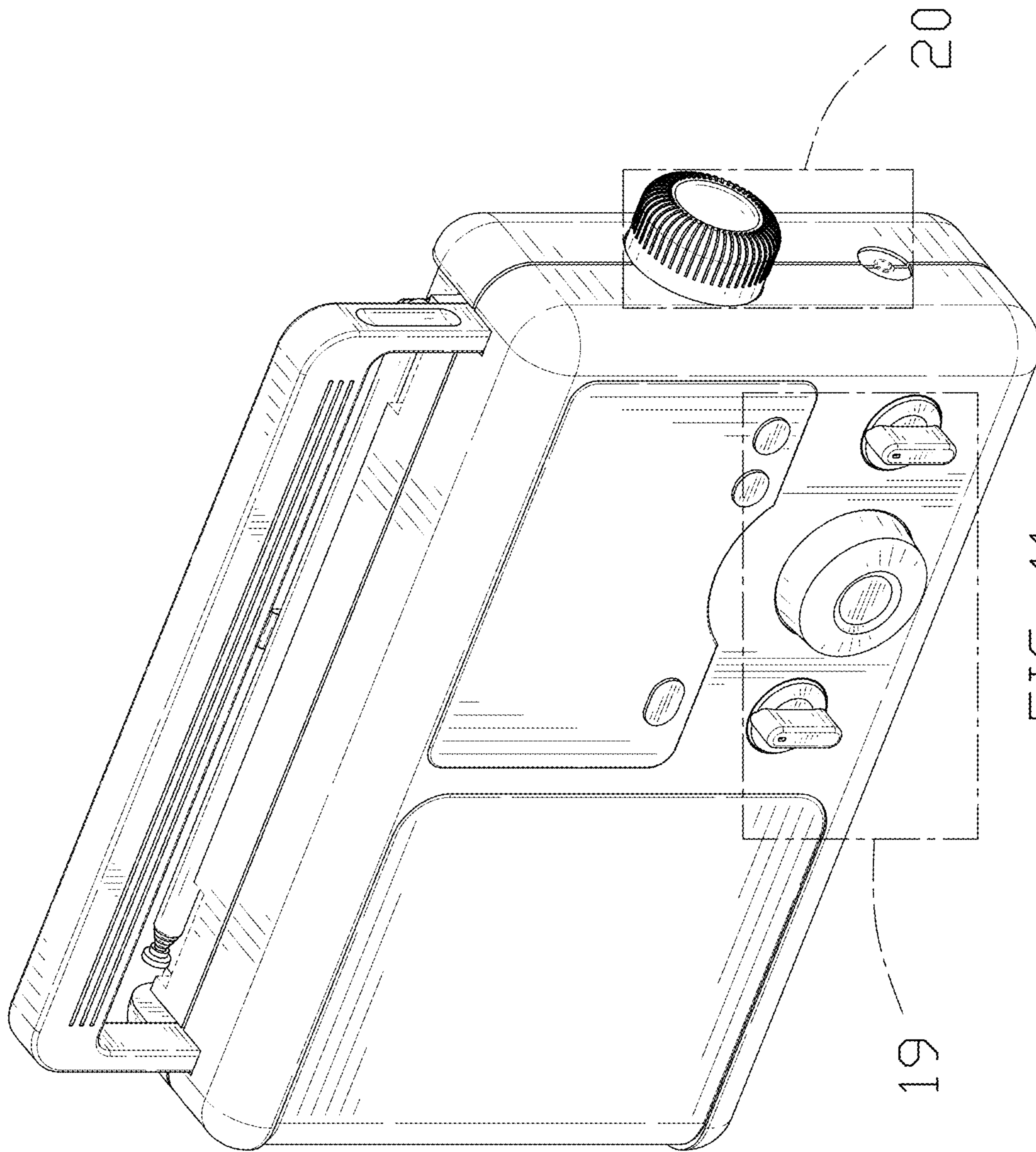


FIG. 11

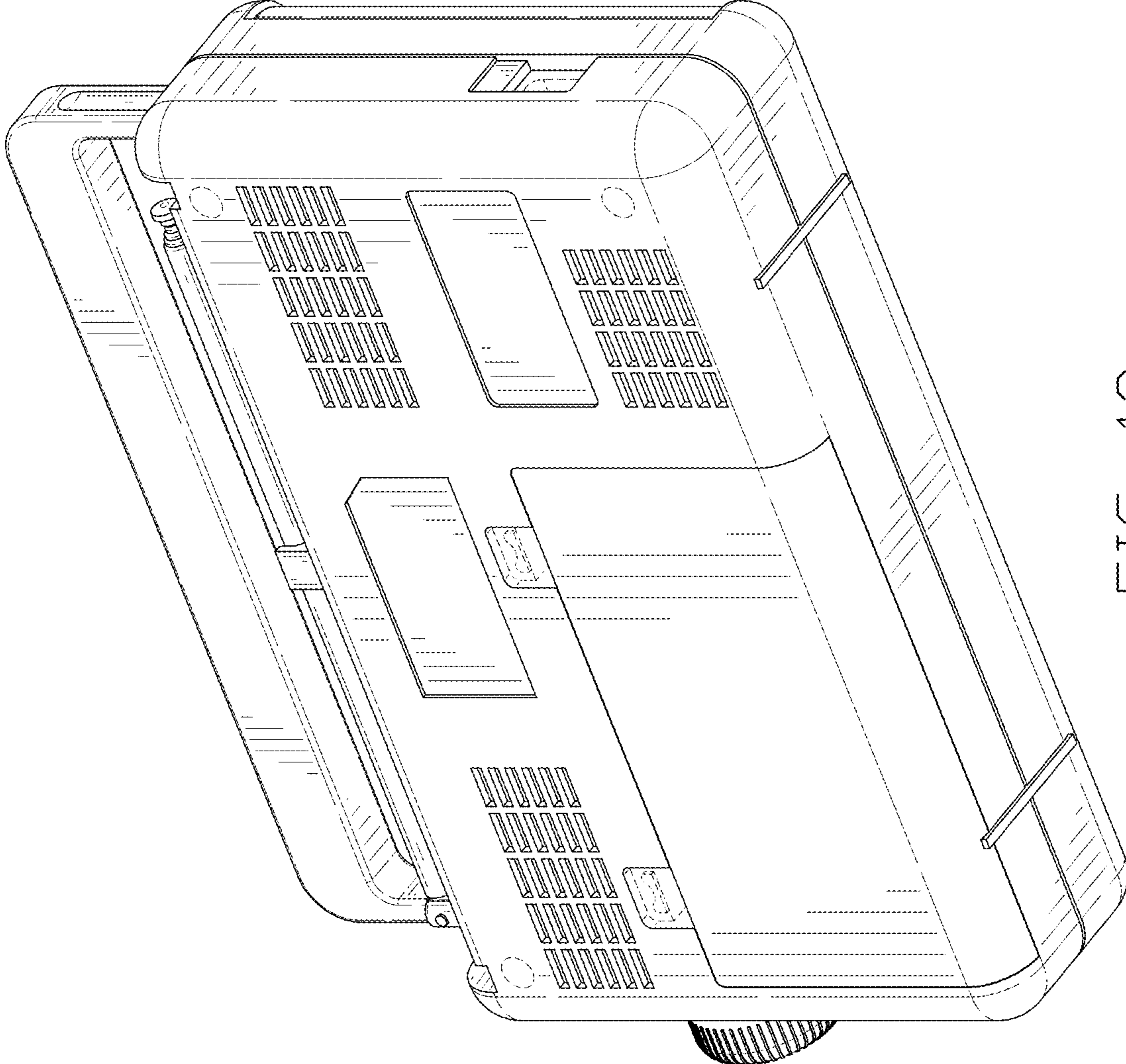


FIG. 12

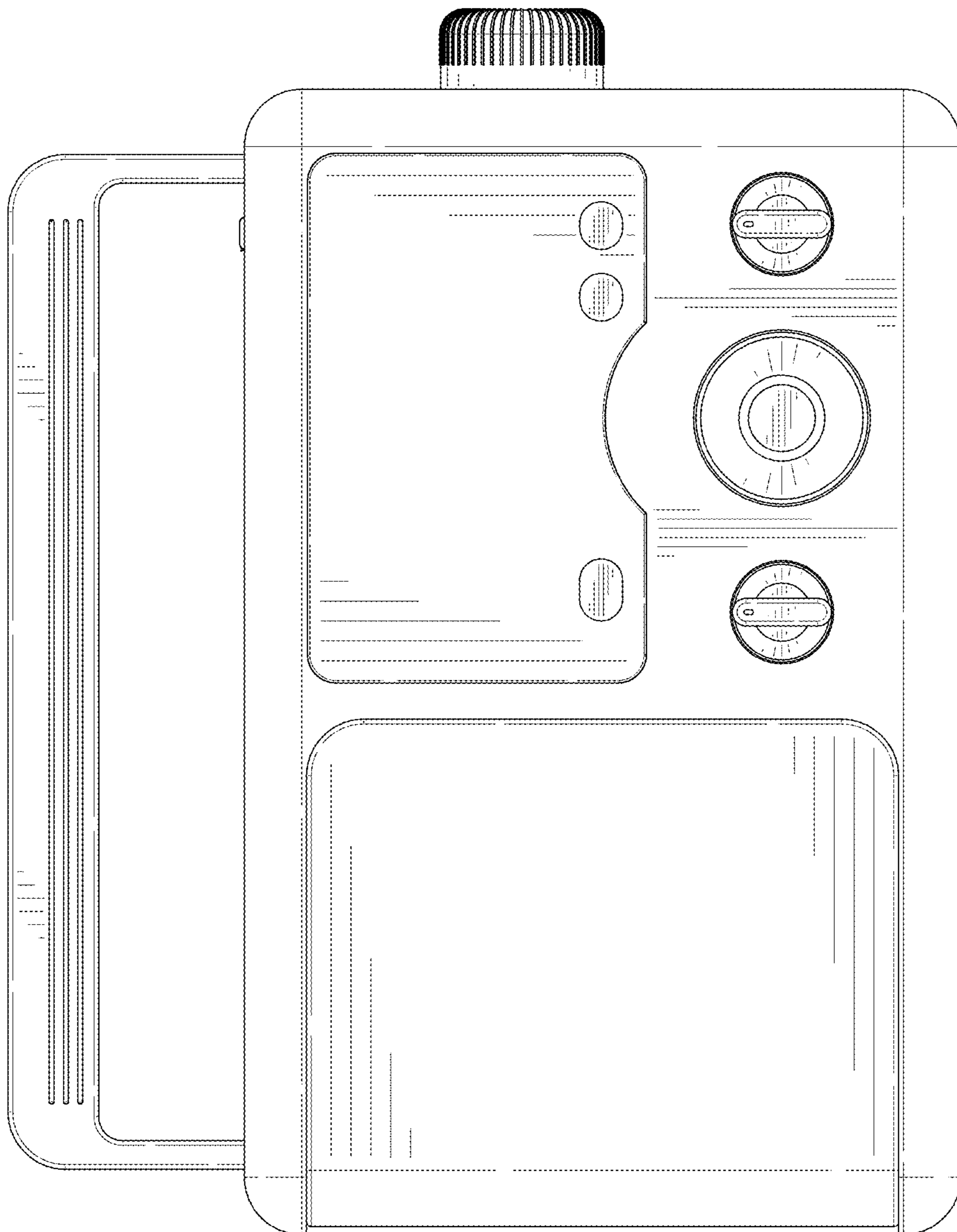


FIG. 13

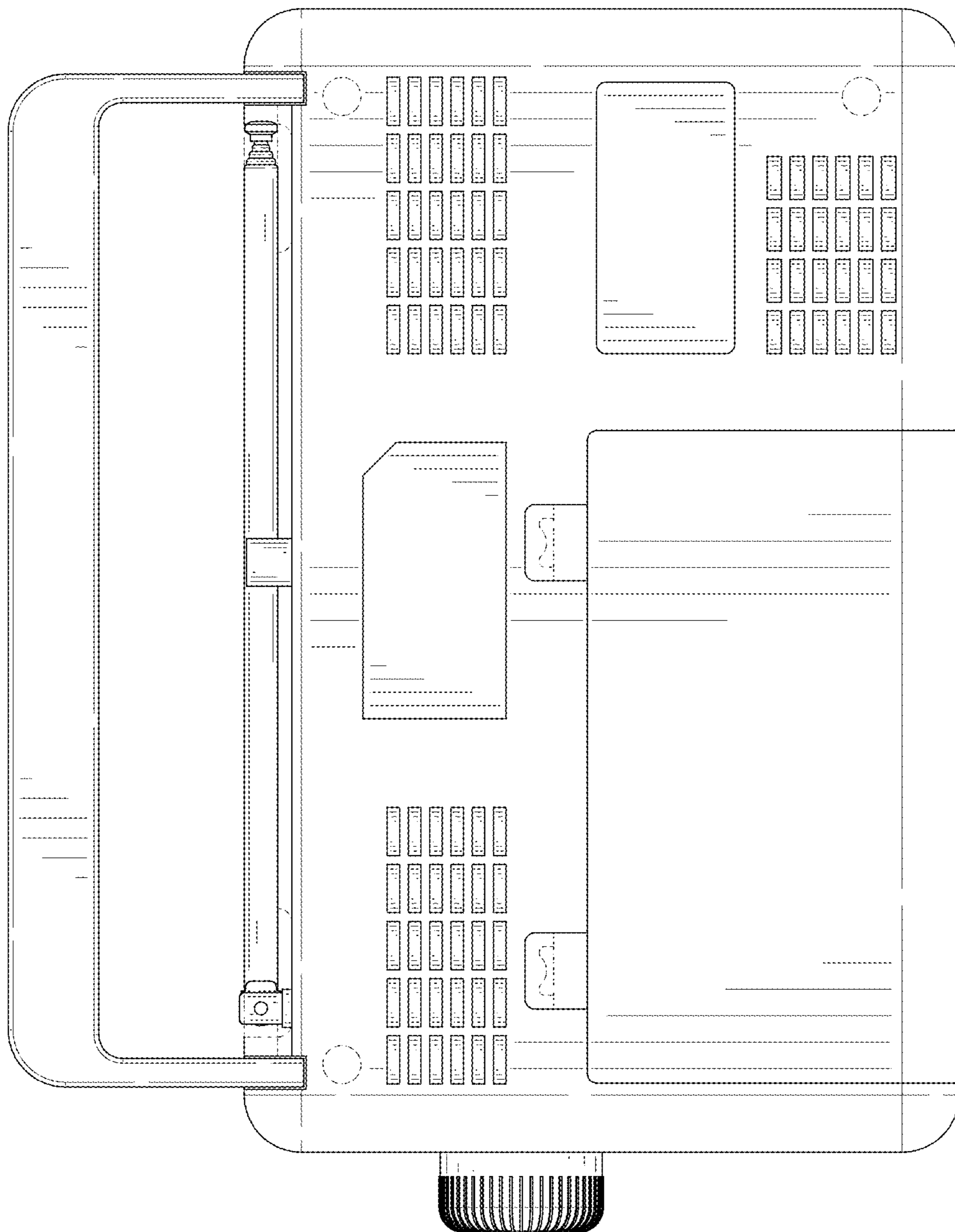


FIG. 14

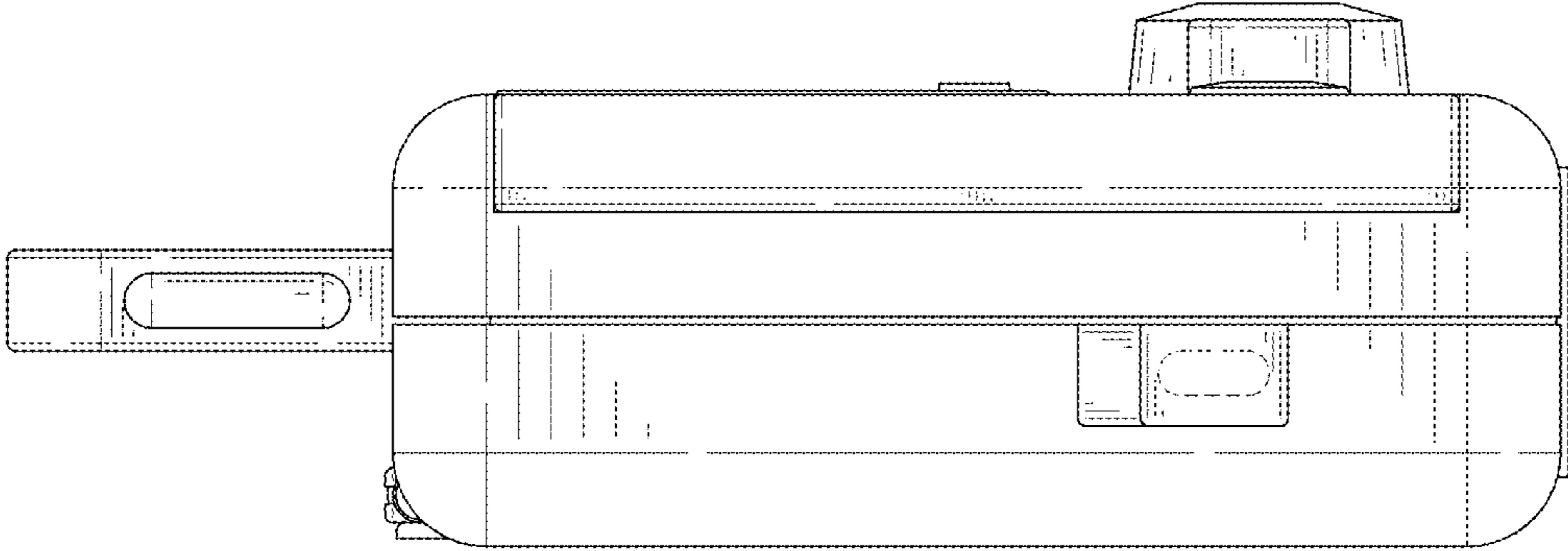


FIG. 15

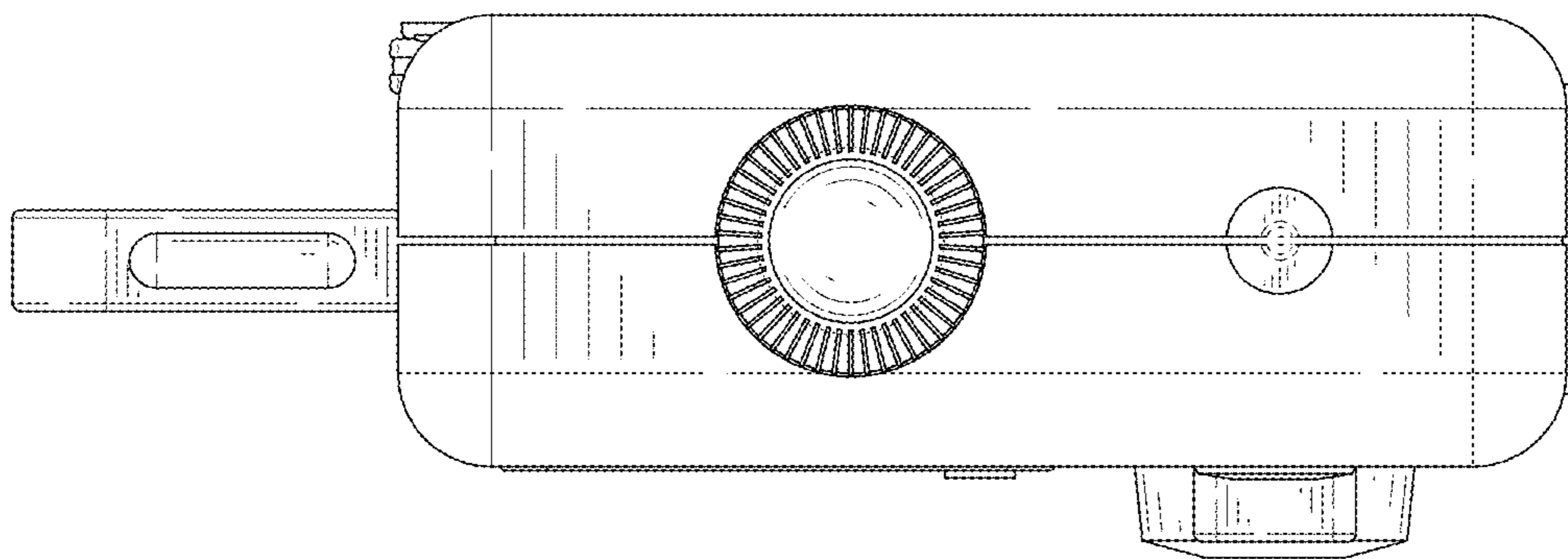


FIG. 16

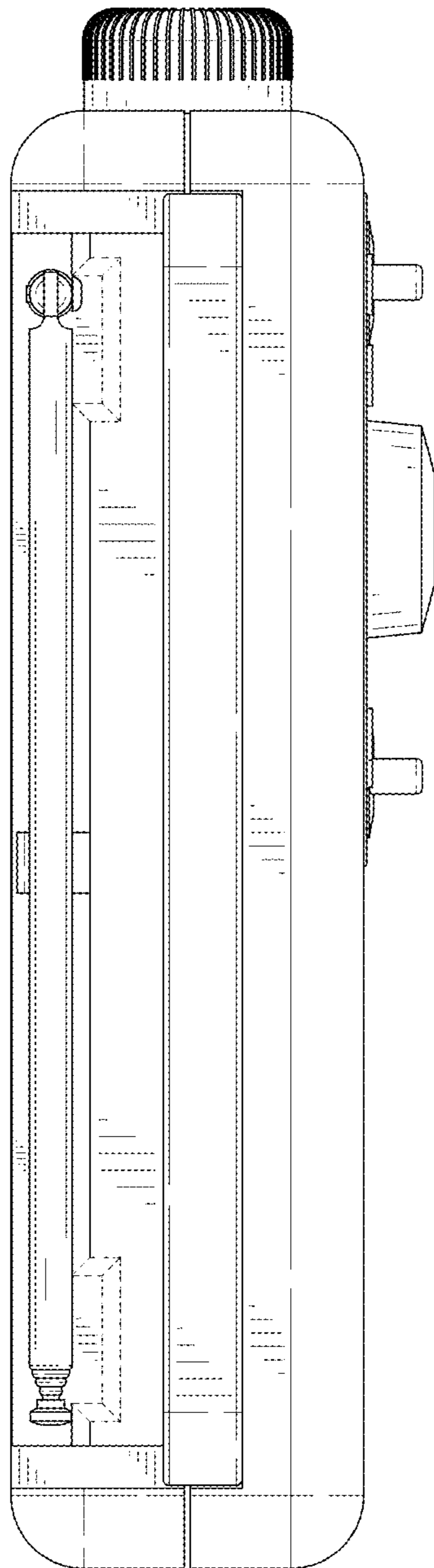


FIG. 17

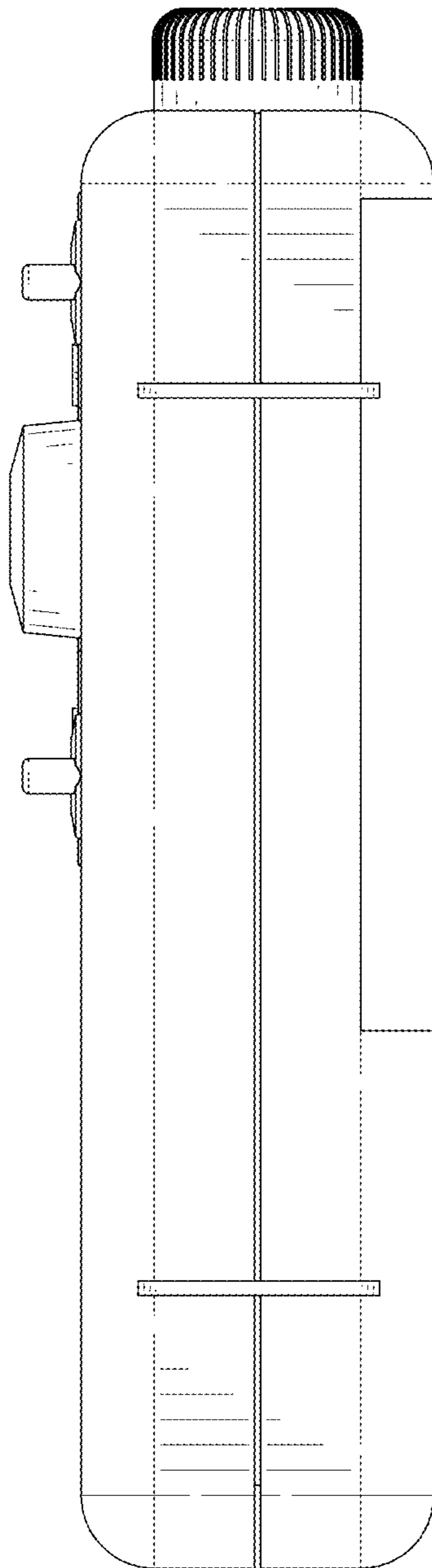


FIG. 18

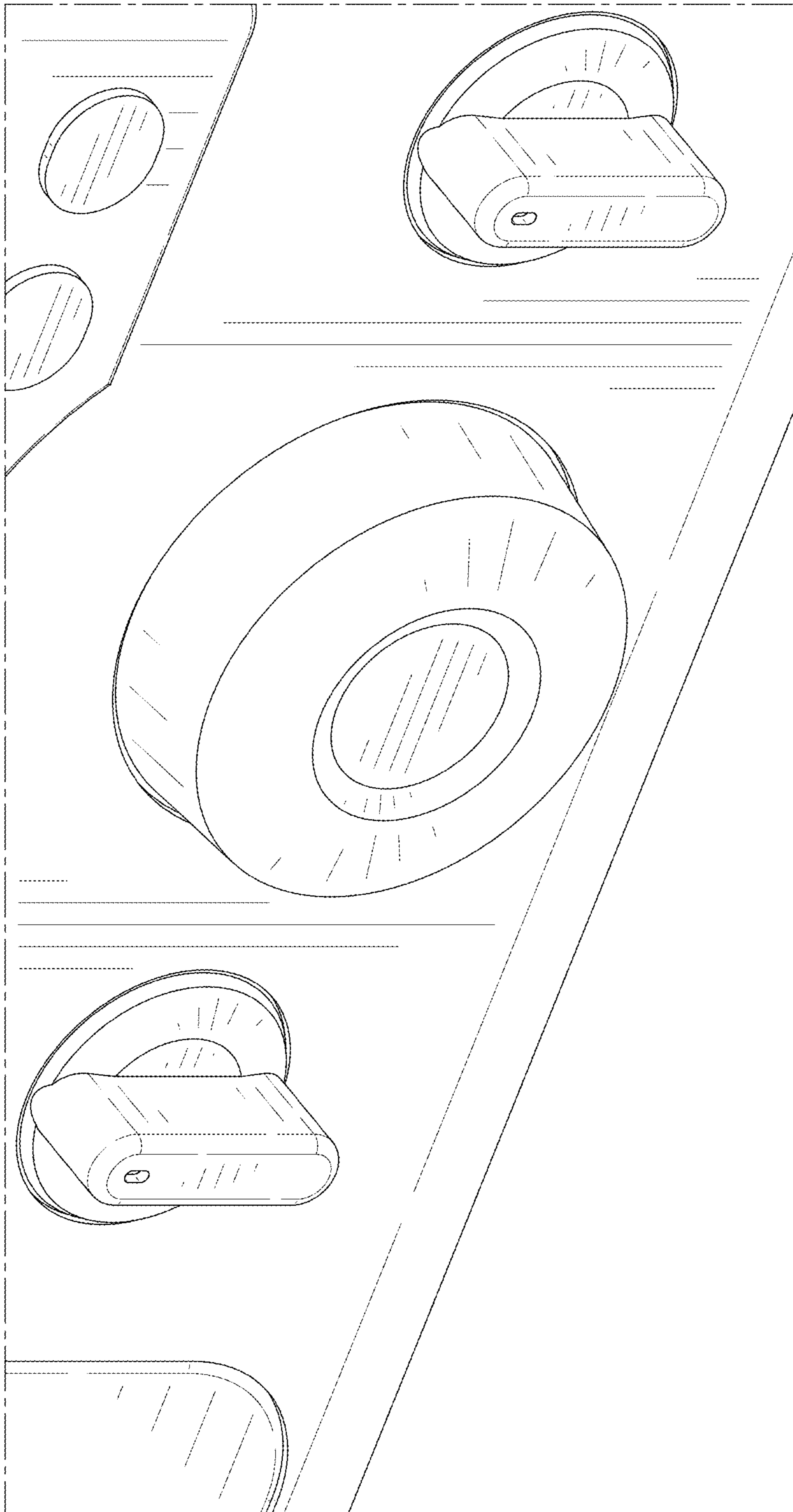


FIG. 19

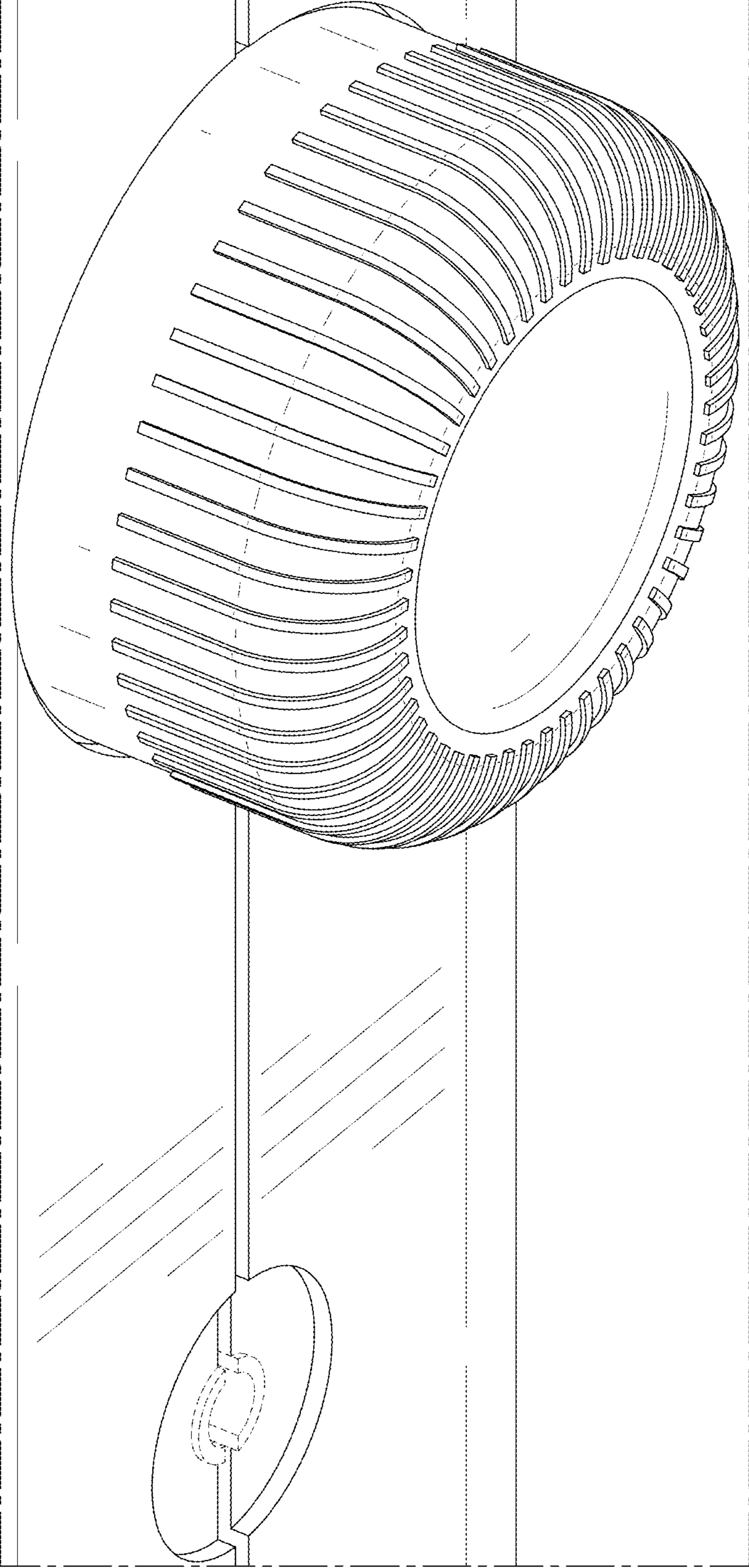


FIG. 20