



US00D978808S

(12) **United States Design Patent**  
**You et al.**

(10) **Patent No.: US D978,808 S**

(45) **Date of Patent: \*\* Feb. 21, 2023**

(54) **CONTROLLER**

(71) Applicant: **NINGBO TUOTUO RIVER DESIGN COMPANY, Zhejiang (CN)**

(72) Inventors: **Xiaodong You, Ningbo (CN); Hongjun Wang, Ningbo (CN)**

(73) Assignee: **NINGBO TUOTUO RIVER DESIGN COMPANY, Zhejiang (CN)**

(\*\*) Term: **15 Years**

(21) Appl. No.: **29/789,126**

(22) Filed: **Sep. 2, 2021**

(51) **LOC (14) Cl. .... 13-03**

(52) **U.S. Cl.**  
USPC ..... **D13/164**

(58) **Field of Classification Search**  
USPC .... D13/139.4, 158, 162, 164, 167; D14/305  
CPC .. H01H 3/00; H01H 3/02; H01H 3/04; H01H 3/06; H01H 9/02; H01H 13/02; H01H 13/04; H01H 13/10; H01H 13/86; H01H 21/22; A47C 1/0345; A47C 1/035; A47B 21/02; A47B 9/00; A61G 13/02; A61G 7/018; G05B 15/02

See application file for complete search history.

(56) **References Cited**

**U.S. PATENT DOCUMENTS**

D529,904 S *	10/2006	Yeo	.....	D14/240
7,538,284 B2 *	5/2009	Nielsen	.....	A47B 9/00
				200/61.7
D689,825 S *	9/2013	Wenji	.....	D13/162
D740,763 S *	10/2015	Wenji	.....	D13/162
D820,221 S *	6/2018	Yang	.....	D13/164
D825,493 S *	8/2018	Chen	.....	D13/164
D833,981 S *	11/2018	Seal	.....	D13/162
D846,503 S *	4/2019	Yang	.....	D13/162
D847,101 S *	4/2019	Chen	.....	D13/162

D851,603 S *	6/2019	Shen	.....	D13/162
D851,604 S *	6/2019	Zhuang	.....	D13/162
D947,138 S *	3/2022	Chen	.....	D13/162
D958,126 S *	7/2022	Barzeev	.....	D14/240
2018/0168335 A1 *	6/2018	Seal	.....	A47B 9/20
2020/0089361 A1 *	3/2020	Lu	.....	A47B 9/00

**OTHER PUBLICATIONS**

3 Gang 2 Way Electrical Switch with CE OEM ; retrieved on Dec. 2, 2022; 2 pgs.\*

Amazon.com\_ WOKA Electric Standing Desk Adjustable Height 48x24 in with Memory Controller; Apr. 26, 2022; 3 pgs.\*

(Continued)

*Primary Examiner* — Selina Sikder

(74) *Attorney, Agent, or Firm* — Knobbe Martens Olson & Bear LLP

(57) **CLAIM**

The ornamental design for a controller, as shown and described.

**DESCRIPTION**

FIG. 1 is a first perspective view of the controller embodying the new design;

FIG. 2 is a detail view of a portion thereof;

FIG. 3 is a second perspective view thereof;

FIG. 4 is a third perspective view thereof;

FIG. 5 is a fourth perspective view thereof;

FIG. 6 is a front view thereof;

FIG. 7 is a back view thereof;

FIG. 8 is a left side view thereof;

FIG. 9 is a right side view thereof;

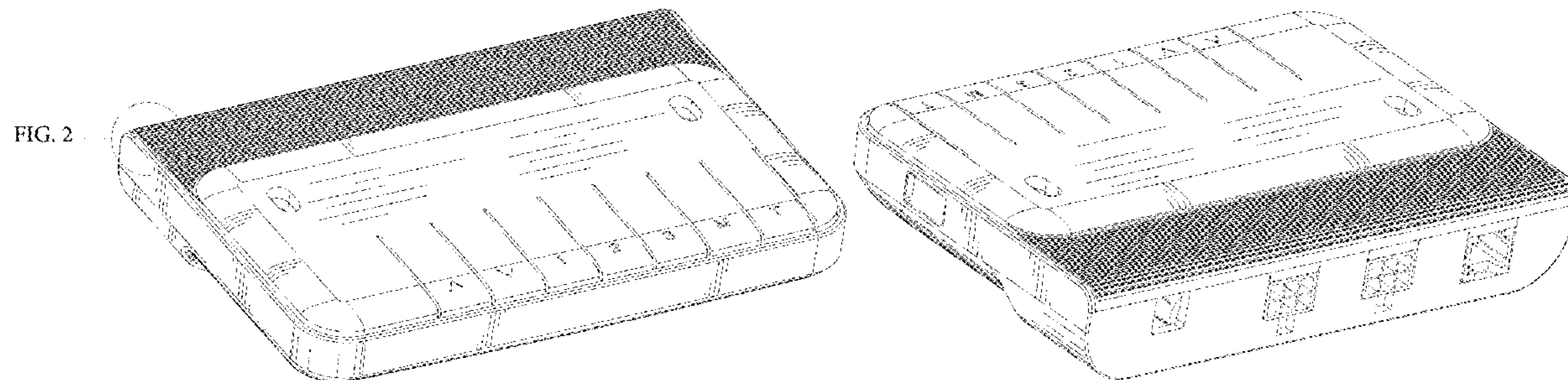
FIG. 10 is a top view thereof;

FIG. 11 is a bottom view thereof; and,

FIG. 12 is another detail view thereof.

Broken lines are used to illustrate features of the controller that form no part of the claimed design.

**1 Claim, 12 Drawing Sheets**



(56)

**References Cited**

OTHER PUBLICATIONS

Eedeskindia.com; Hand Control For Electric Height Adjustable Desk ; retrieved on Dec. 2, 2022; 1 pg.\*

Alibaba.com.Jiechang Jcht35k23 Hand Switch Control Height Adjustable Controller For Sit Stand Desk; retrieved on Dec. 2, 2022.\*

\* cited by examiner

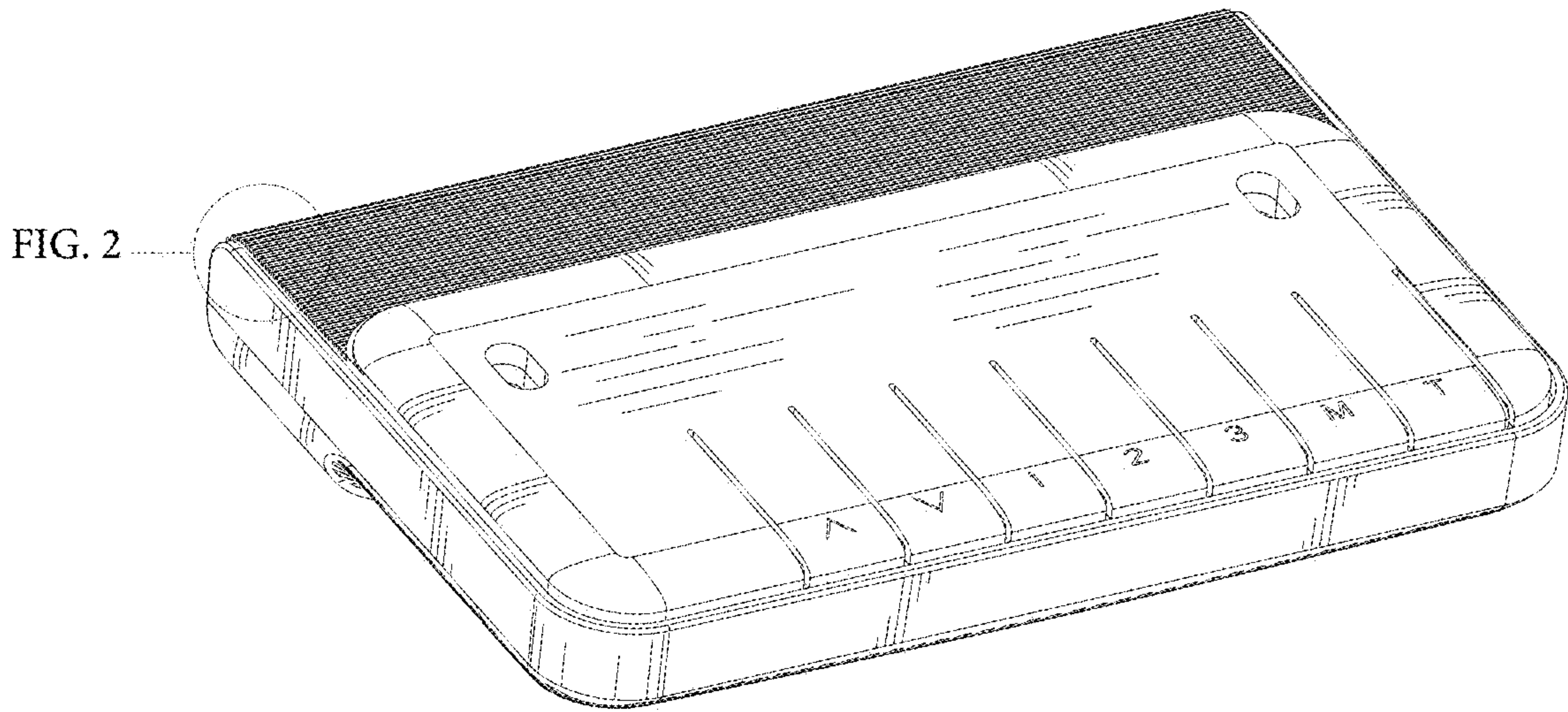


FIG. 1

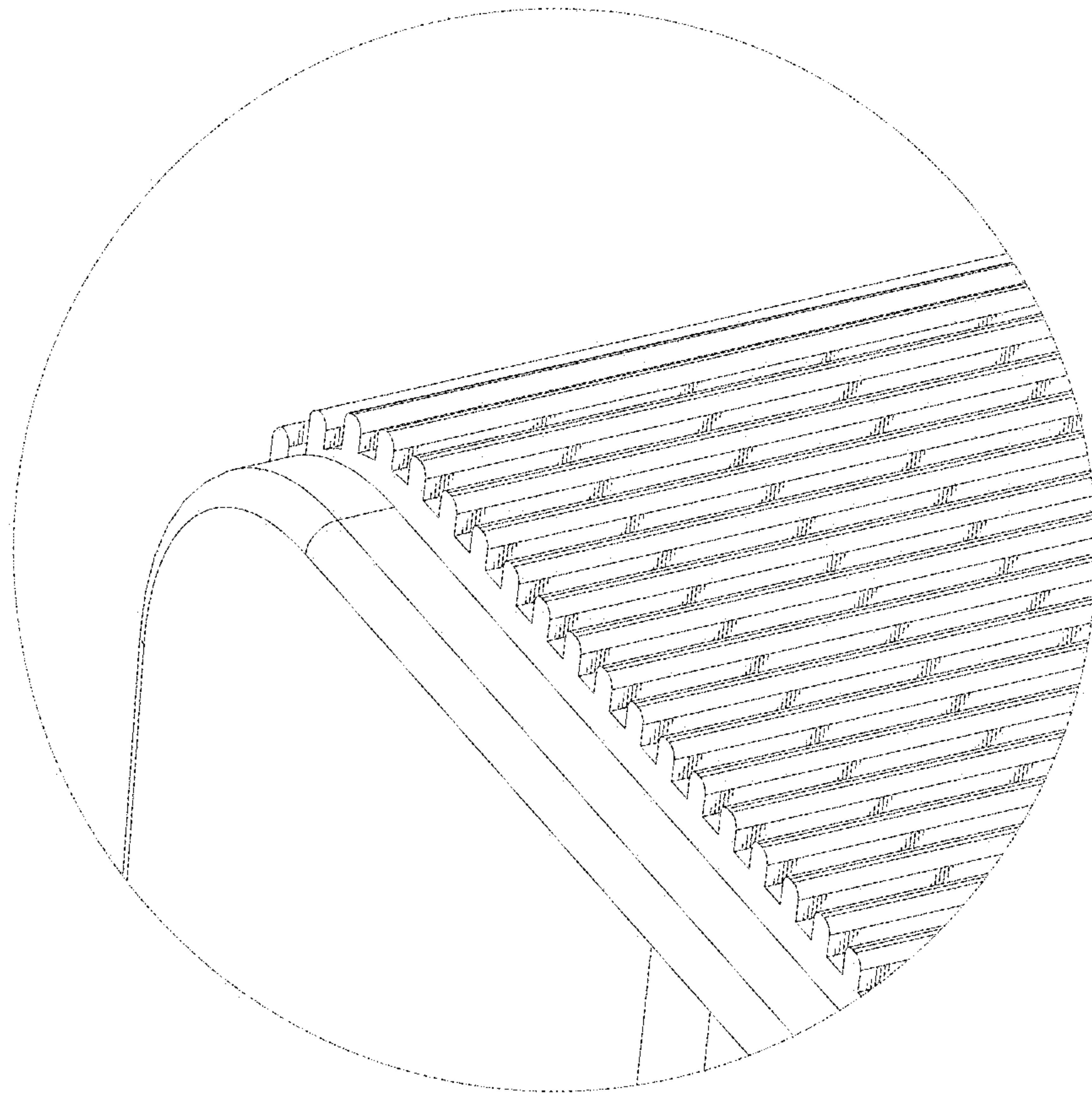


FIG. 2



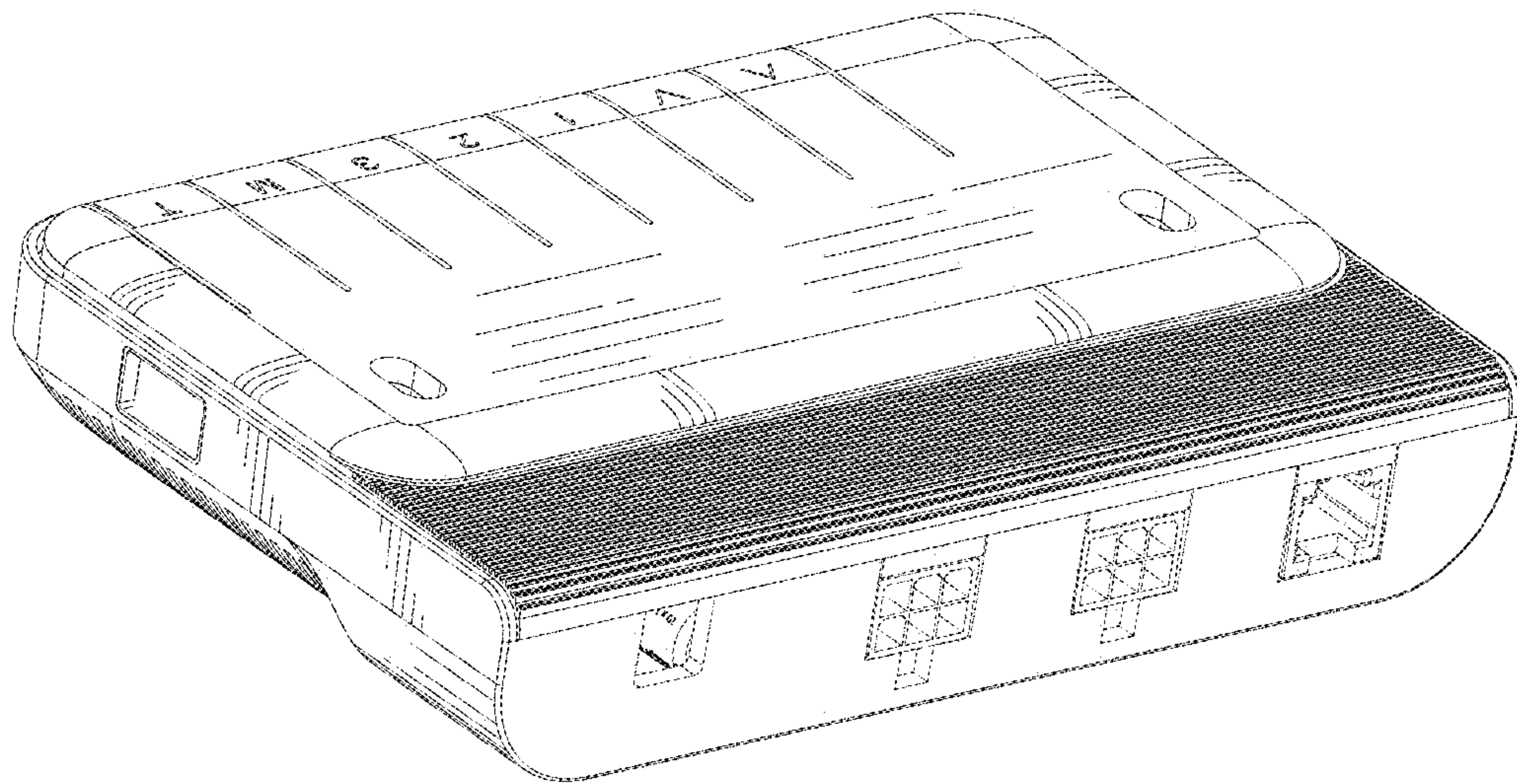


FIG. 3

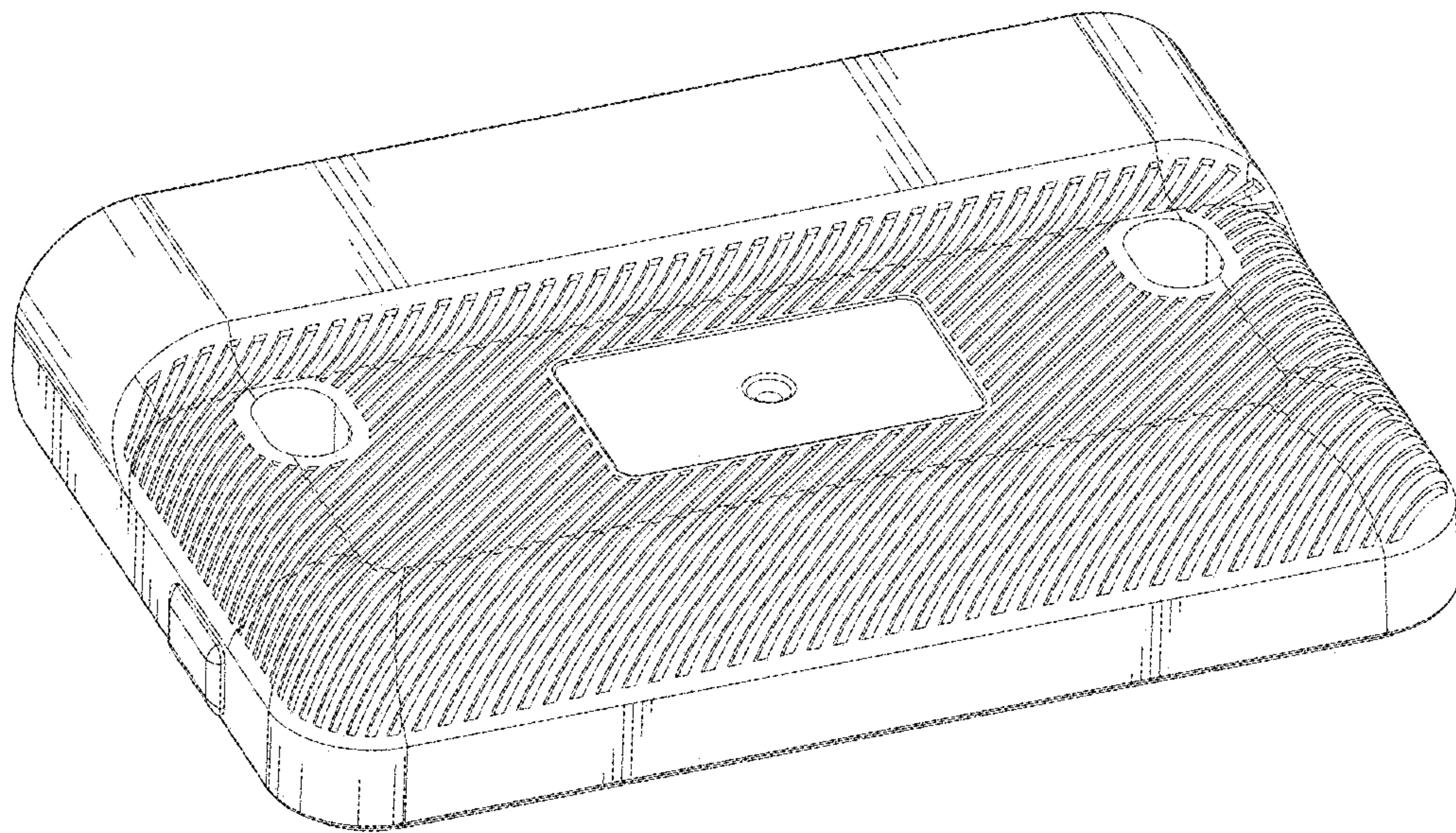


FIG. 4

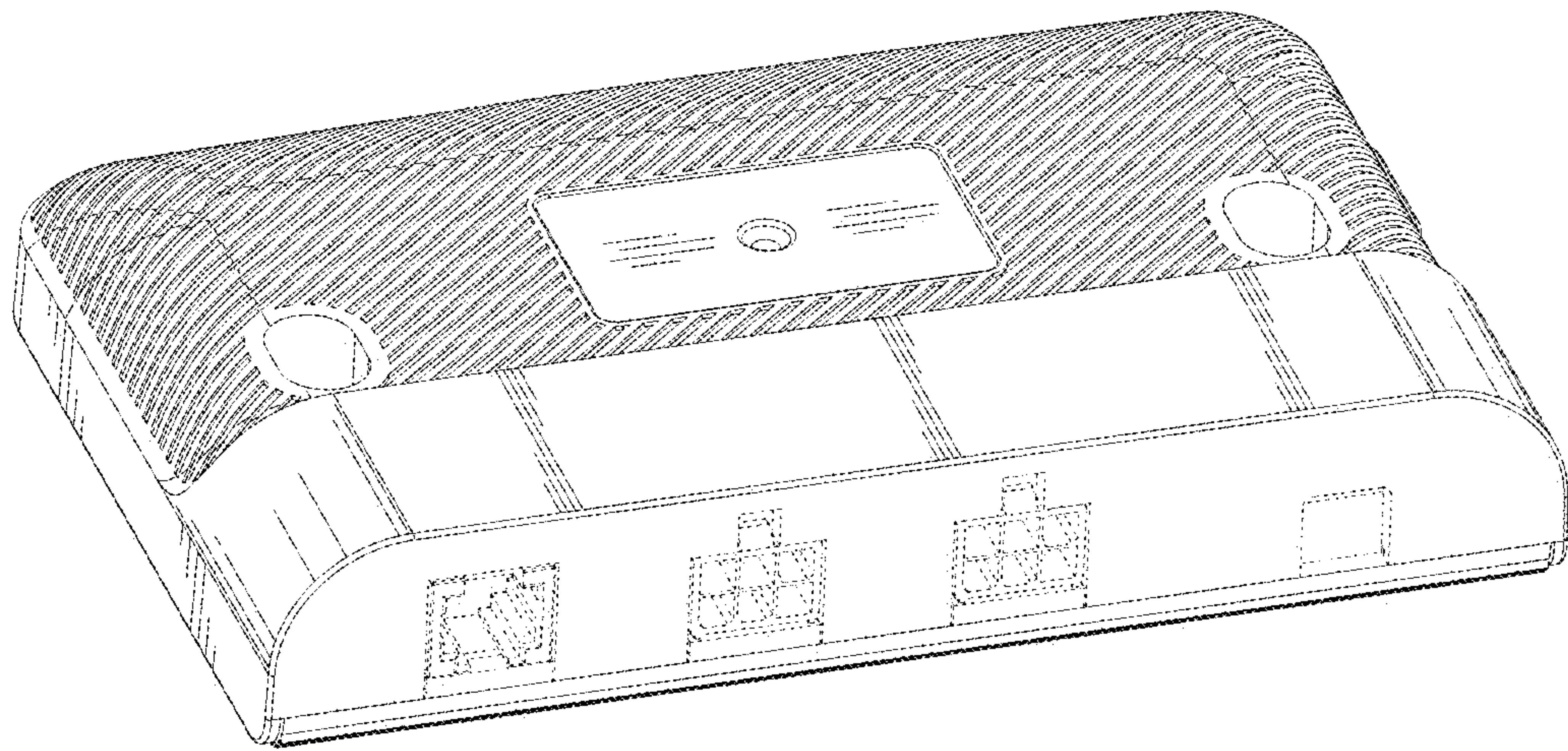


FIG. 5



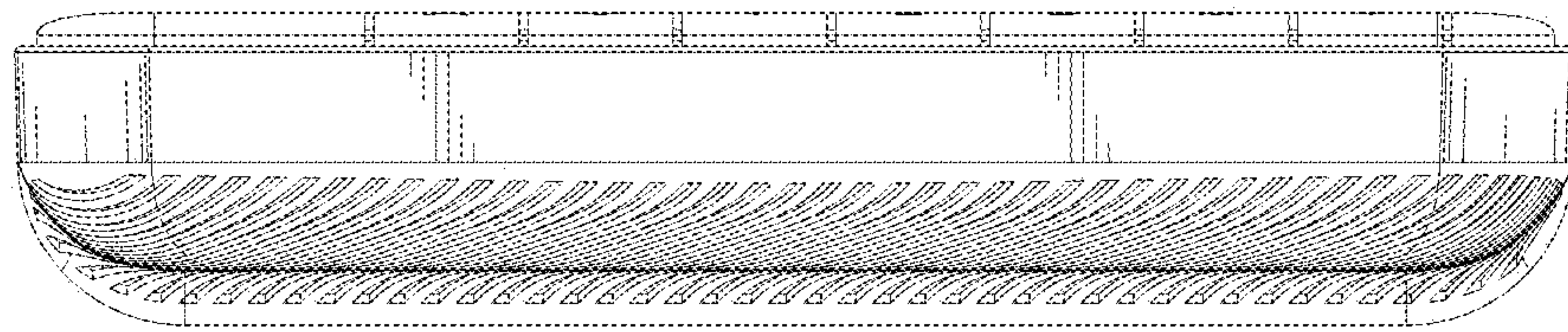


FIG. 6



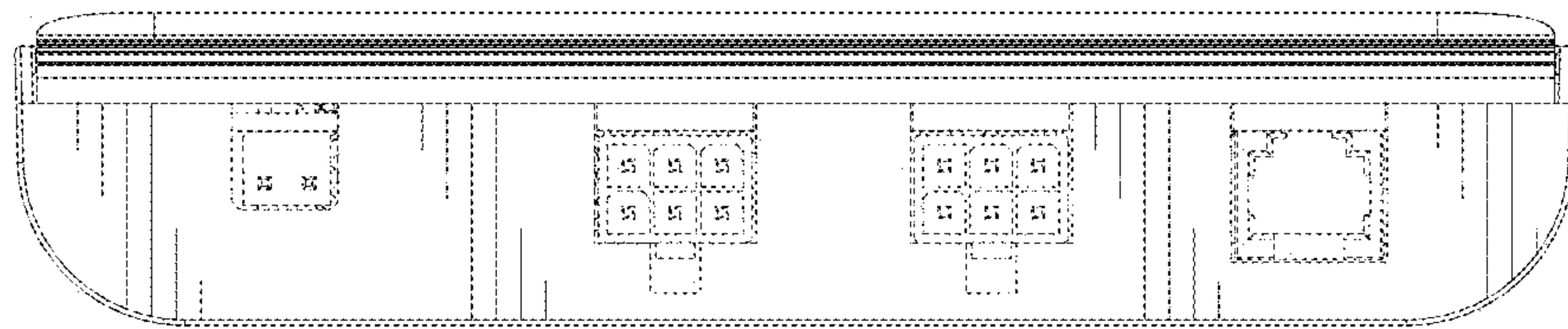


FIG. 7

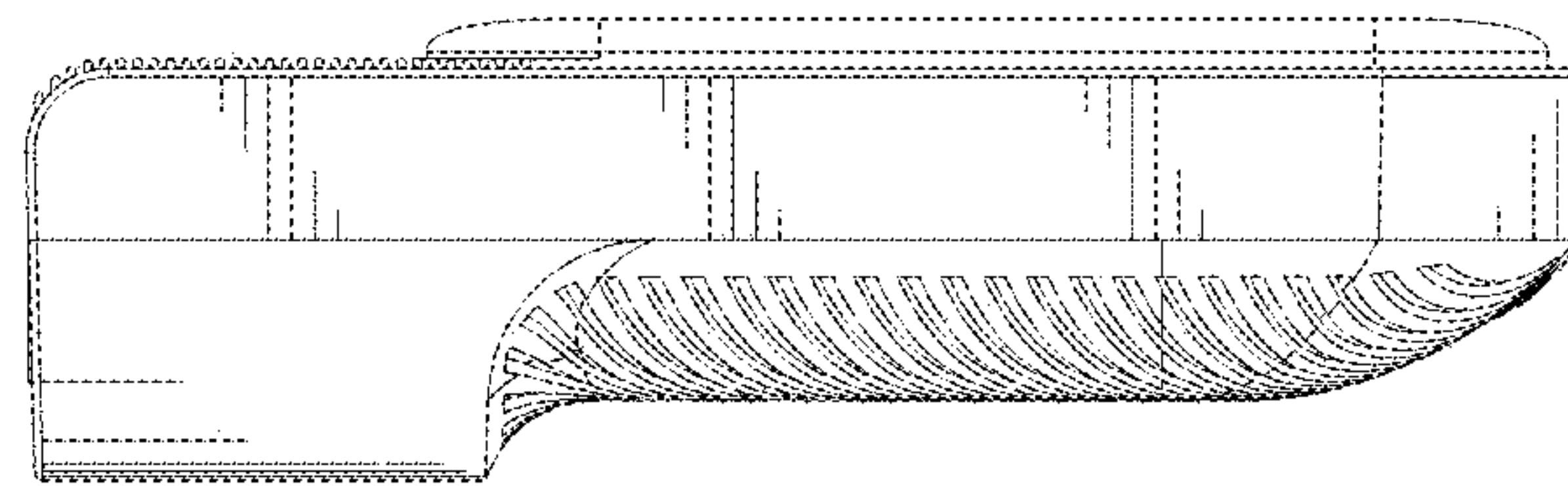


FIG. 8

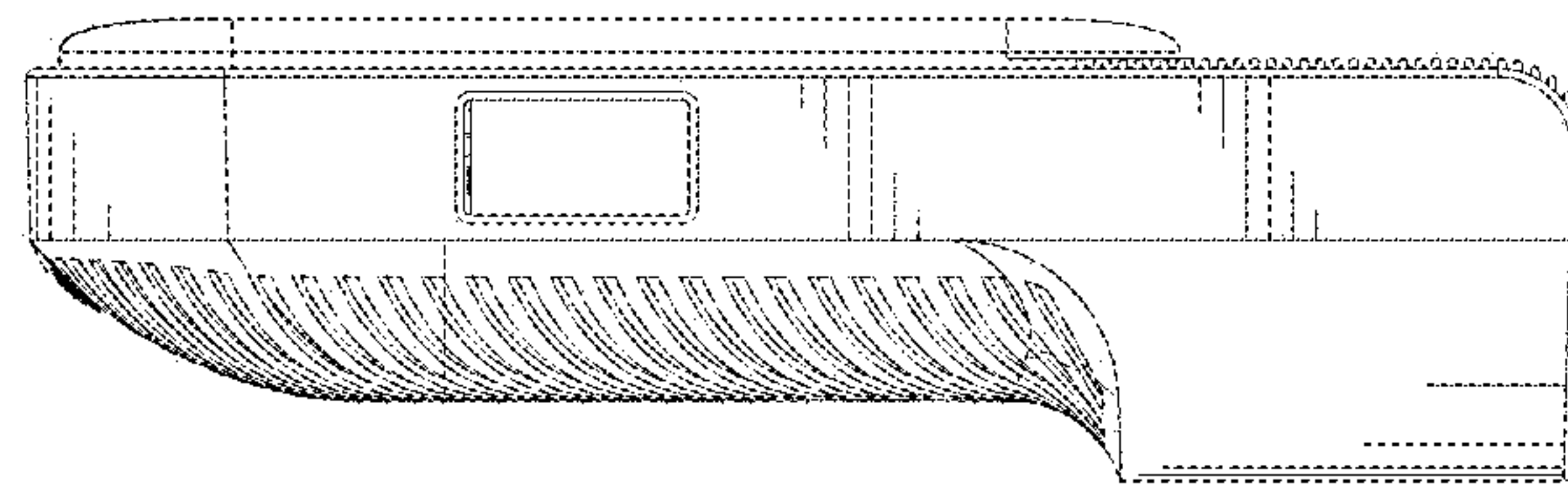


FIG. 9

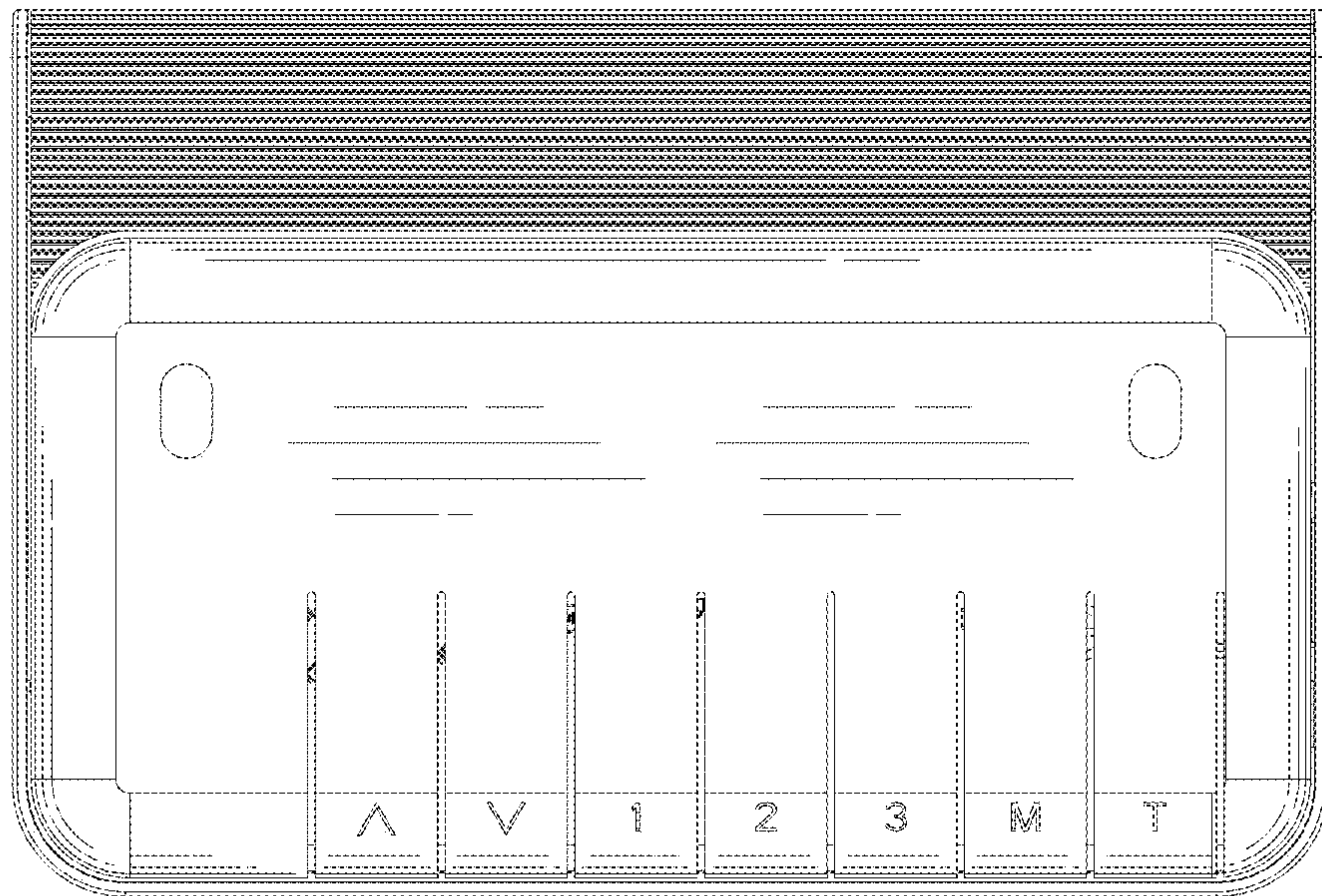


FIG. 10



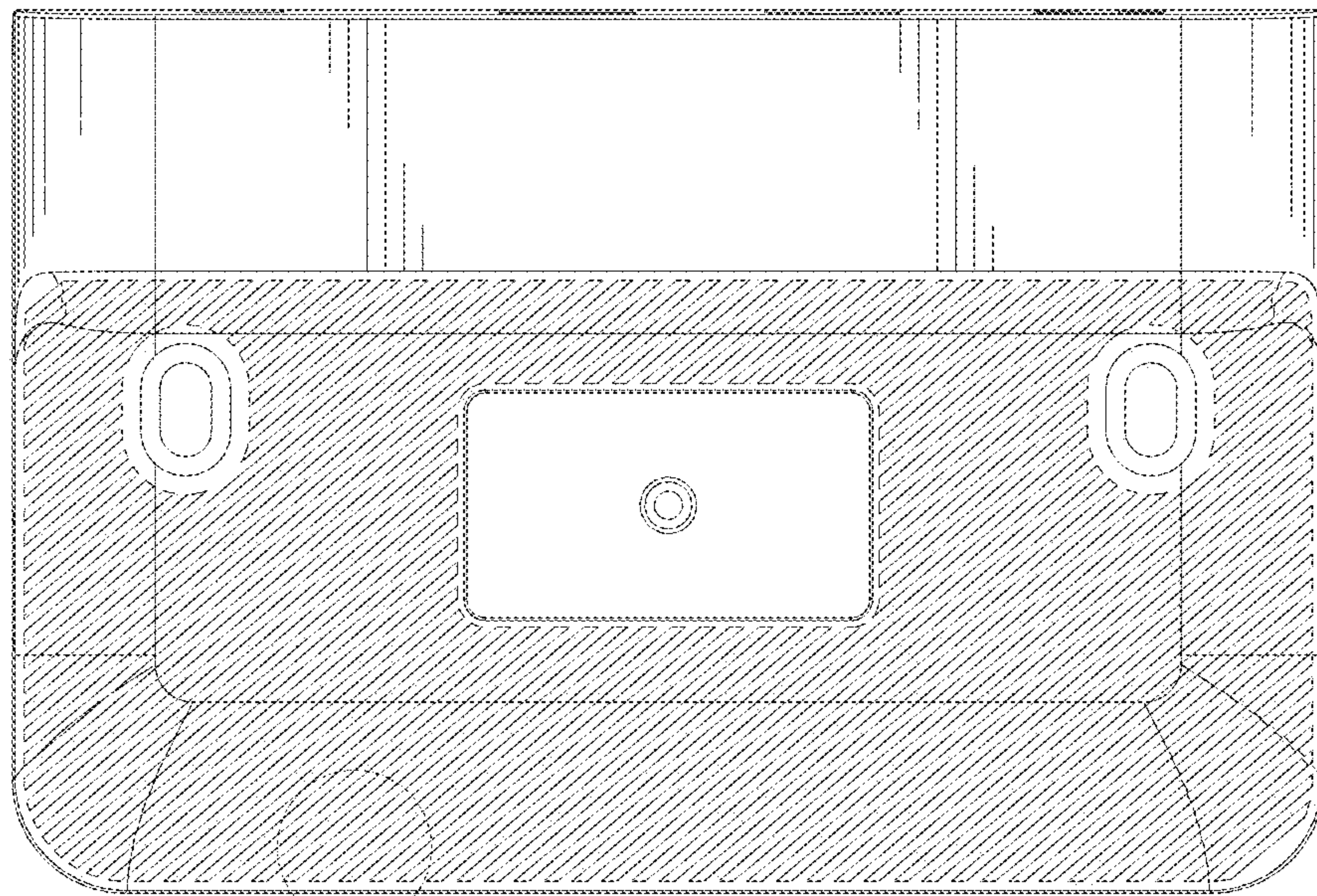


FIG. 11

FIG. 11

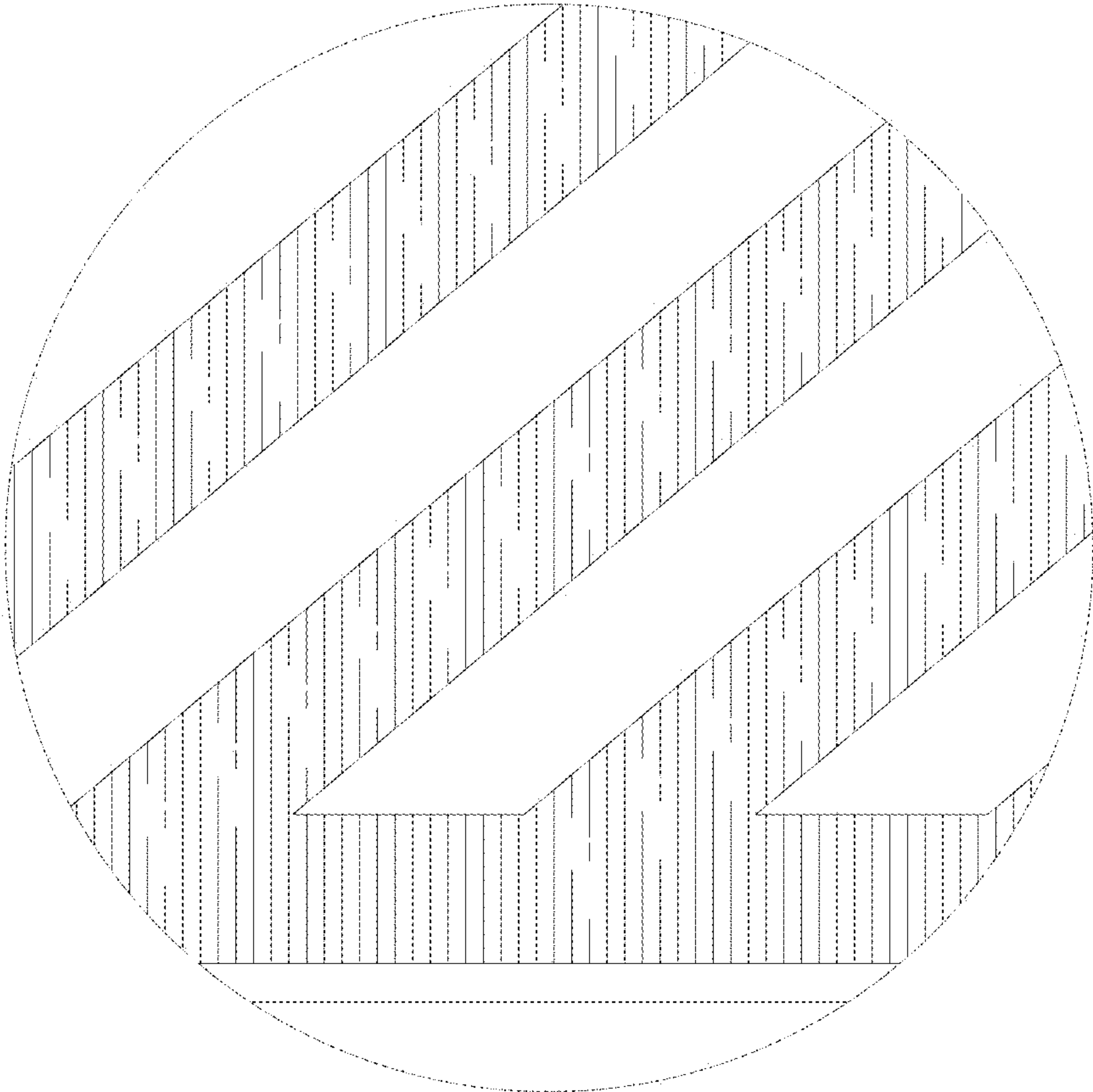


FIG. 12