



US00D978803S

(12) **United States Design Patent** (10) **Patent No.:** **US D978,803 S**
Sloat (45) **Date of Patent:** **** Feb. 21, 2023**

(54) **BUSBAR BASE**
(71) Applicant: **Pike Industries LLC**, Kamiah, ID (US)
(72) Inventor: **Craig Sloat**, Kamiah, ID (US)
(73) Assignee: **PIKE INDUSTRIES LLC**, Kamiah, ID (US)
(**) Term: **15 Years**
(21) Appl. No.: **29/732,716**
(22) Filed: **Apr. 27, 2020**
(51) **LOC (14) Cl.** **13-03**
(52) **U.S. Cl.**
USPC **D13/147**
(58) **Field of Classification Search**
USPC D13/147, 154, 184, 199, 146; D14/242,
D14/433, 434, 149
CPC H01R 12/04; H01R 12/62; H01R 12/71;
H01R 9/24; H01R 9/26; H02B 1/20;
H02B 1/21; H02B 1/22
See application file for complete search history.

(56) **References Cited**

U.S. PATENT DOCUMENTS

3,371,257 A * 2/1968 Warren B25H 1/0071
408/16
7,857,627 B2 * 12/2010 Cheng H01R 13/6658
439/59
D714,730 S * 10/2014 Osada D13/147
D729,171 S * 5/2015 Dietel D13/147
D731,980 S * 6/2015 Dietel D13/147
D735,139 S * 7/2015 Ikenaka D13/147
D735,673 S * 8/2015 Stancato D10/103
D740,758 S * 10/2015 Katagiyama D13/147
D759,600 S * 6/2016 Takemoto D13/147
D760,659 S * 7/2016 Takemoto D13/147
D782,980 S * 4/2017 Zhang D13/154
D783,540 S * 4/2017 Murphy D13/154
D928,718 S * 8/2021 Shimoji D13/147

D941,821 S * 1/2022 Bagley D14/433
D953,999 S * 6/2022 Krivonak H02B 1/21
D13/154
2013/0148340 A1 * 6/2013 Shen F21V 21/30
362/184

(Continued)

FOREIGN PATENT DOCUMENTS

KR 300405557.0000 * 2/2006
KR 300470356.0000 * 11/2007
KR 300942494.0000 * 2/2018

OTHER PUBLICATIONS

J-Quad, announced on Apr. 13, 2018 [online], retrieved on Jun. 7, 2022, retrieved from internet, [https://www.amazon.com/dp/B07C635FGR/ref=sspa_dk_detail_1?pd_rd_i=B07CCGCWKD&pd\(Year: 2018\).](https://www.amazon.com/dp/B07C635FGR/ref=sspa_dk_detail_1?pd_rd_i=B07CCGCWKD&pd(Year: 2018).)*

(Continued)

Primary Examiner — Messina L Smith
Assistant Examiner — Noah Perez
(74) *Attorney, Agent, or Firm* — Shaver & Swanson, LLP; Scott D. Swanson

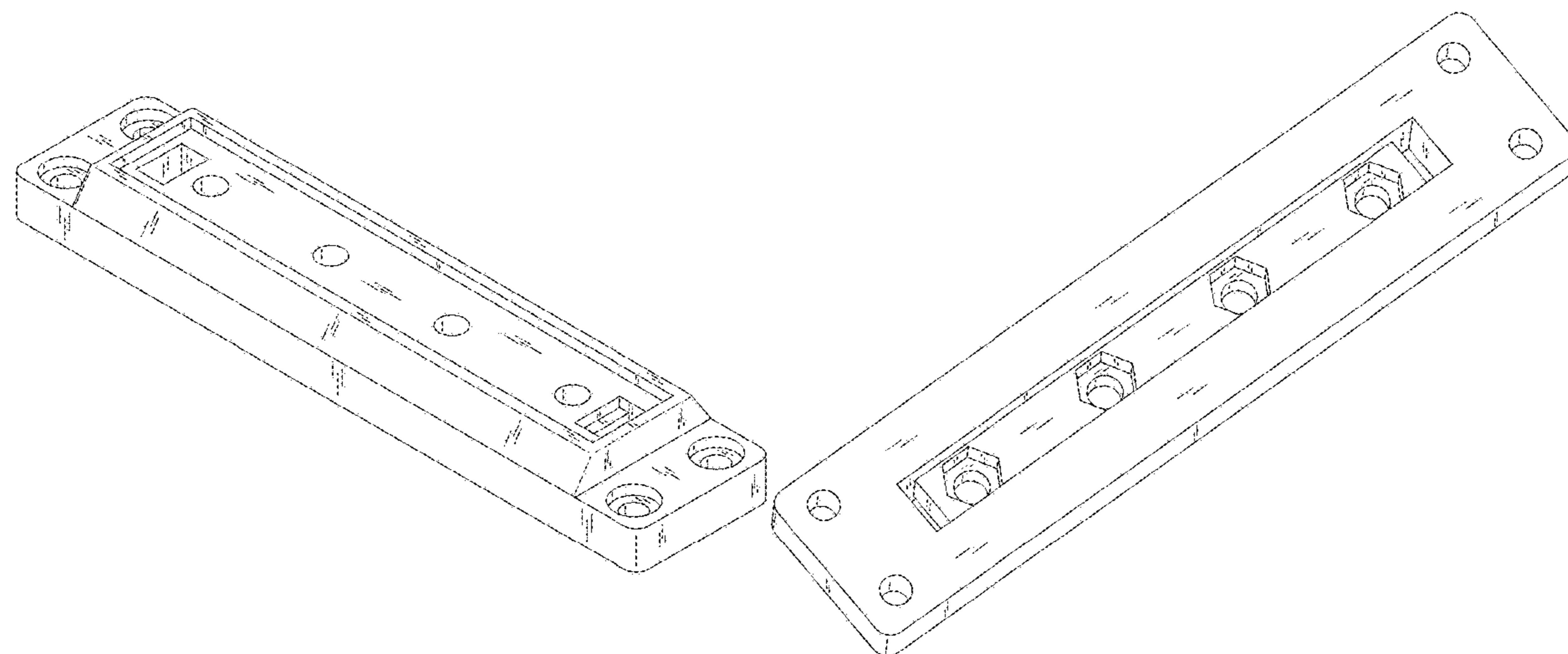
(57) **CLAIM**

The ornamental design for a busbar base, as shown and described.

DESCRIPTION

FIG. 1 is an isometric view of the busbar base showing my new design;
FIG. 2 is a bottom perspective view thereof;
FIG. 3 is a top view thereof;
FIG. 4 is a bottom view thereof;
FIG. 5 is a side view thereof, the other side a mirror image; and,
FIG. 6 is an end view thereof, the other end a mirror image.

1 Claim, 4 Drawing Sheets



(56)

References Cited

U.S. PATENT DOCUMENTS

2022/0069801 A1* 3/2022 Turner H03H 9/205

OTHER PUBLICATIONS

Ampper, announced on Dec. 18, 2016 [online], retrieved on Jun. 7, 2022, retrieved from internet, <https://www.amazon.com/Ampper-Terminals-Distribution-Junction-Amplifier/dp/B095JTZKYT> (Year: 2016).*

Wholesale Marine, Earliest Review on May 18, 2018 [online], retrieved on Jun. 7, 2022, retrieved from internet, <https://www.wholesalemarine.com/blue-sea-mini-busbar-5-terminal-100-amp/> (Year: 2018).*

Joyho, announced on Aug. 22, 2019 [online], retrieved on Jun. 7, 2022, retrieved from internet, <https://www.amazon.com/dp/B07WW54DJV/> (Year: 2019).*

* cited by examiner

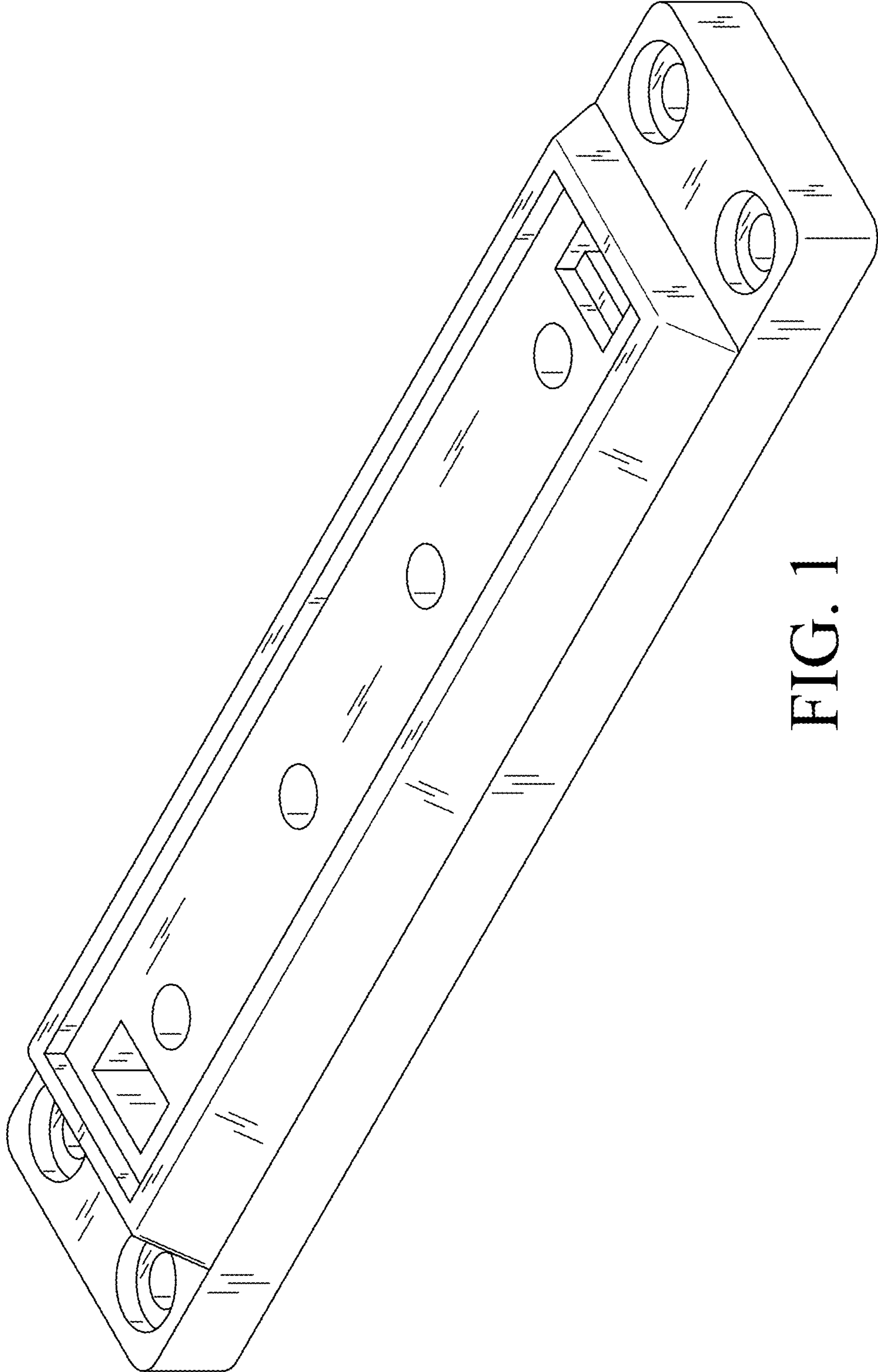


FIG. 1

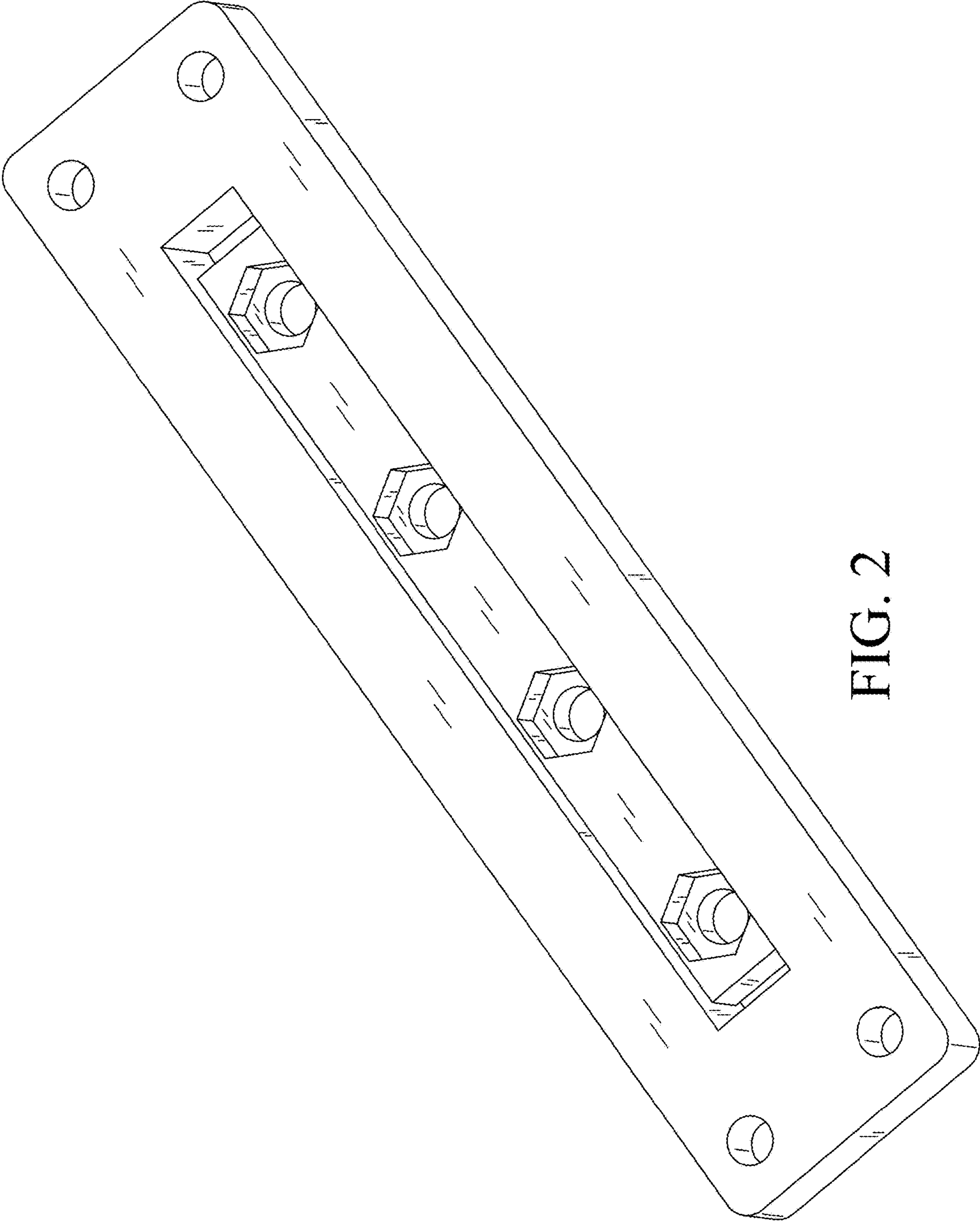


FIG. 2

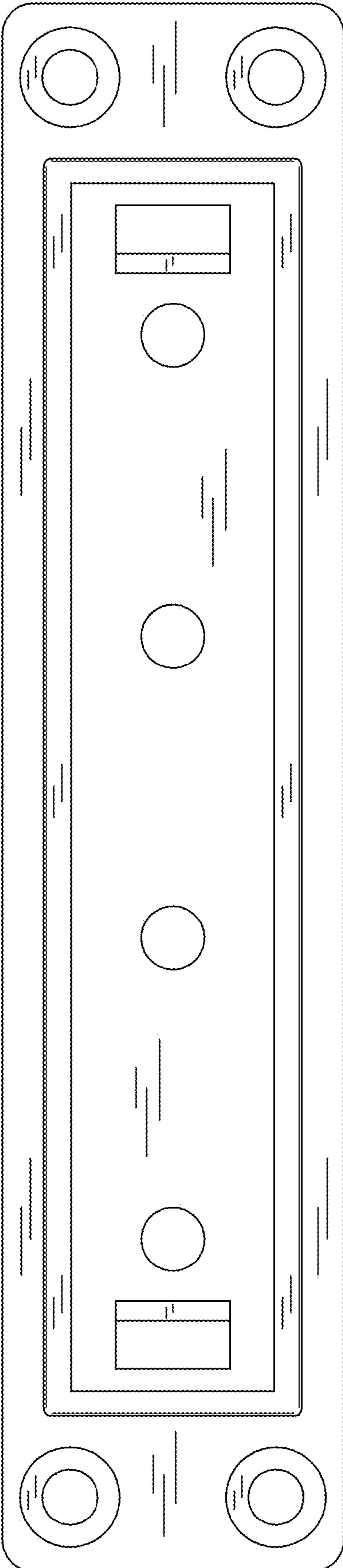


FIG. 3

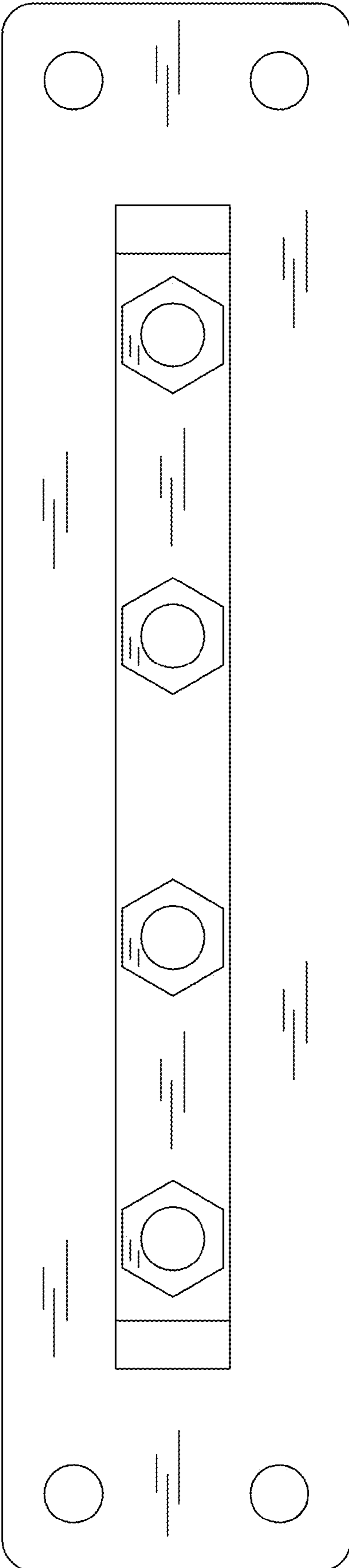


FIG. 4

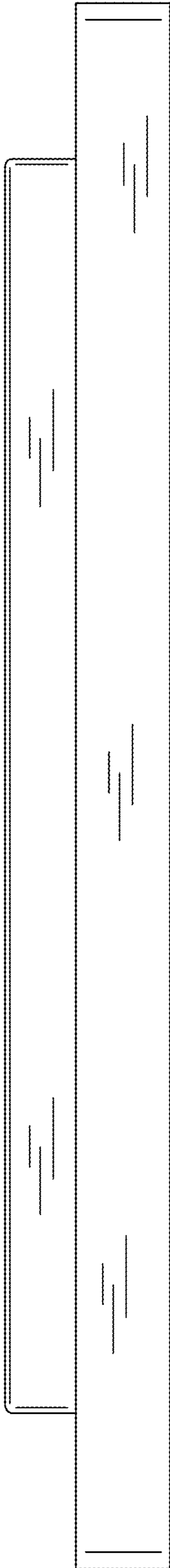


FIG. 5

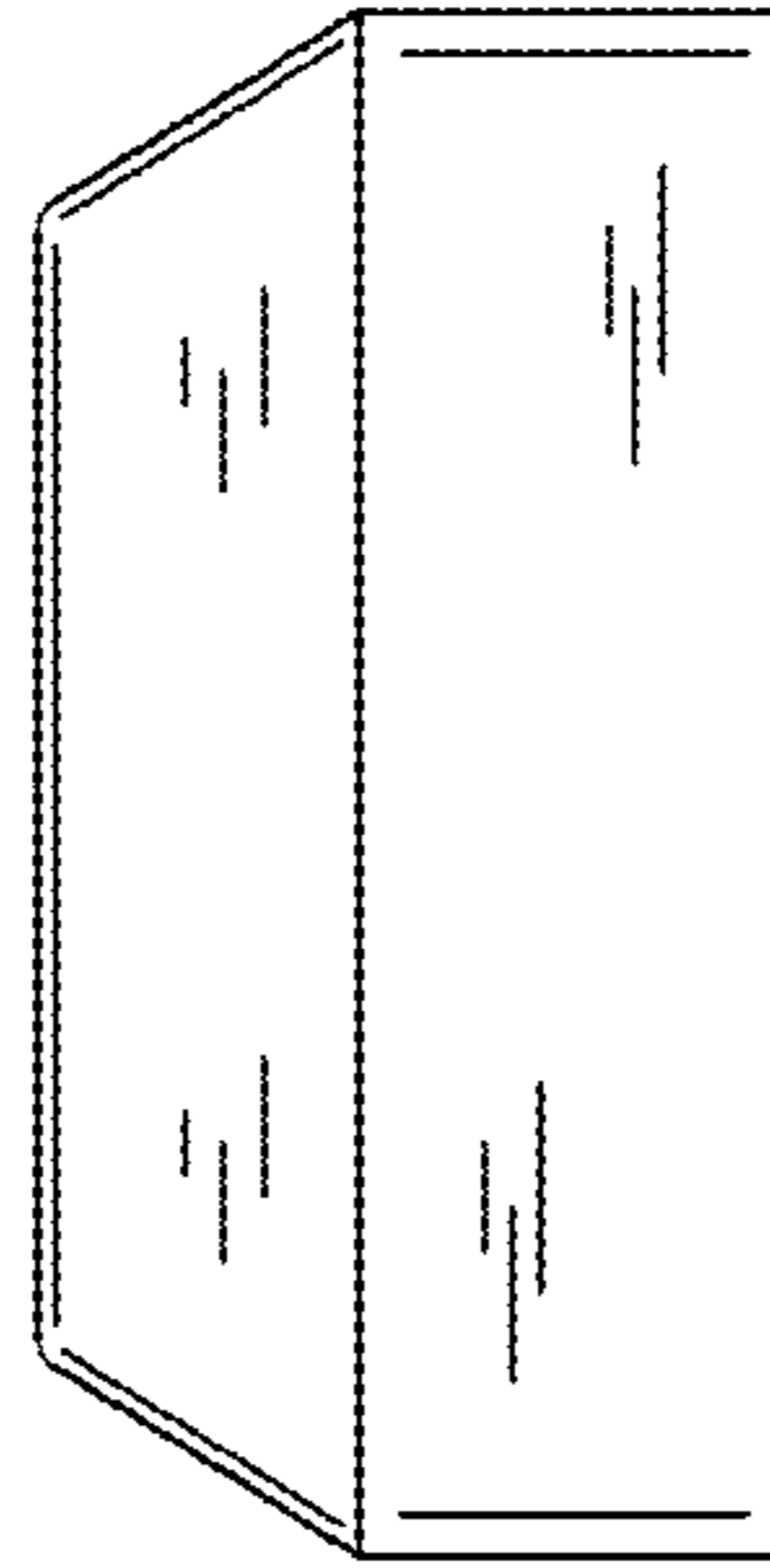


FIG. 6