



US00D978802S

(12) **United States Design Patent** (10) **Patent No.:** **US D978,802 S**
Lin (45) **Date of Patent:** **** Feb. 21, 2023**

(54) **SOCKET FOR EXTENSION CORD**

D797,676 S * 9/2017 Xu D13/139.6
D801,276 S * 10/2017 Lin D13/139.7
D837,736 S * 1/2019 Liao D13/139.7

(Continued)

(71) Applicant: **Chia-Hua Lin**, New Taipei (TW)

(72) Inventor: **Chia-Hua Lin**, New Taipei (TW)

(**) Term: **15 Years**

(21) Appl. No.: **29/764,233**

(22) Filed: **Dec. 29, 2020**

(51) **LOC (14) Cl.** **13-03**

(52) **U.S. Cl.**
USPC **D13/137.4**

(58) **Field of Classification Search**
USPC D13/137.1, 137.2, 137.3, 137.4, 138.1,
D13/138.2, 139.1, 139.2, 139.3, 139.4,
D13/139.5, 139.6, 139.7, 139.8, 103, 107,
D13/108, 110, 119, 123, 133, 145, 152,
D13/153, 154, 156, 158, 160, 162, 177,
D13/184, 199

CPC H01R 13/00; H01R 13/03; H01R 13/04;
H01R 13/10; H01R 13/35; H01R 13/44;
H01R 13/453; H01R 13/4534; H01R
13/502; H01R 13/514; H01R 13/631;
H01R 13/639; H01R 13/6633; H01R
13/6666; H01R 13/6675; H01R 13/7135;
H01R 31/02; H01R 31/06; H01R 31/065

See application file for complete search history.

(56) **References Cited**

U.S. PATENT DOCUMENTS

D391,550 S * 3/1998 Stekelenburg D13/137.4
D400,505 S * 11/1998 Yu D13/139.8
D402,963 S * 12/1998 Parshad D13/139.8
D636,345 S * 4/2011 Cullen D13/154
D682,789 S * 5/2013 Au D13/137.3
D684,119 S * 6/2013 Barzman D13/137.2
D693,770 S * 11/2013 Miller D13/139.2
D701,834 S * 4/2014 Lee D13/137.2
D786,797 S * 5/2017 Hsu D13/137.2
D796,443 S * 9/2017 Xu D13/139.6

FOREIGN PATENT DOCUMENTS

GB 6104881 * 10/2020
GB 6140071 * 4/2021
IL 59593 * 11/2018
KR 300781978.0000 * 2/2015

(Continued)

OTHER PUBLICATIONS

“Power Strip, Superdanny 5-Outlet Surge Protector, 3 USB Ports, 4.5 Ft Extension Cord, 900 Joules, Mountable, Overload Switch, Protected Indicator Light, Multiple Protections for Home Office, Black”, first available Aug. 31, 2018. Amazon.com [https://www.amazon.com/dp/B07GZNHVT4] (Year: 2018).*

(Continued)

Primary Examiner — Rosemary K Tarcza
Assistant Examiner — Seth David Kumpf
(74) *Attorney, Agent, or Firm* — Chun-Ming Shih;
Lanway IPR Services

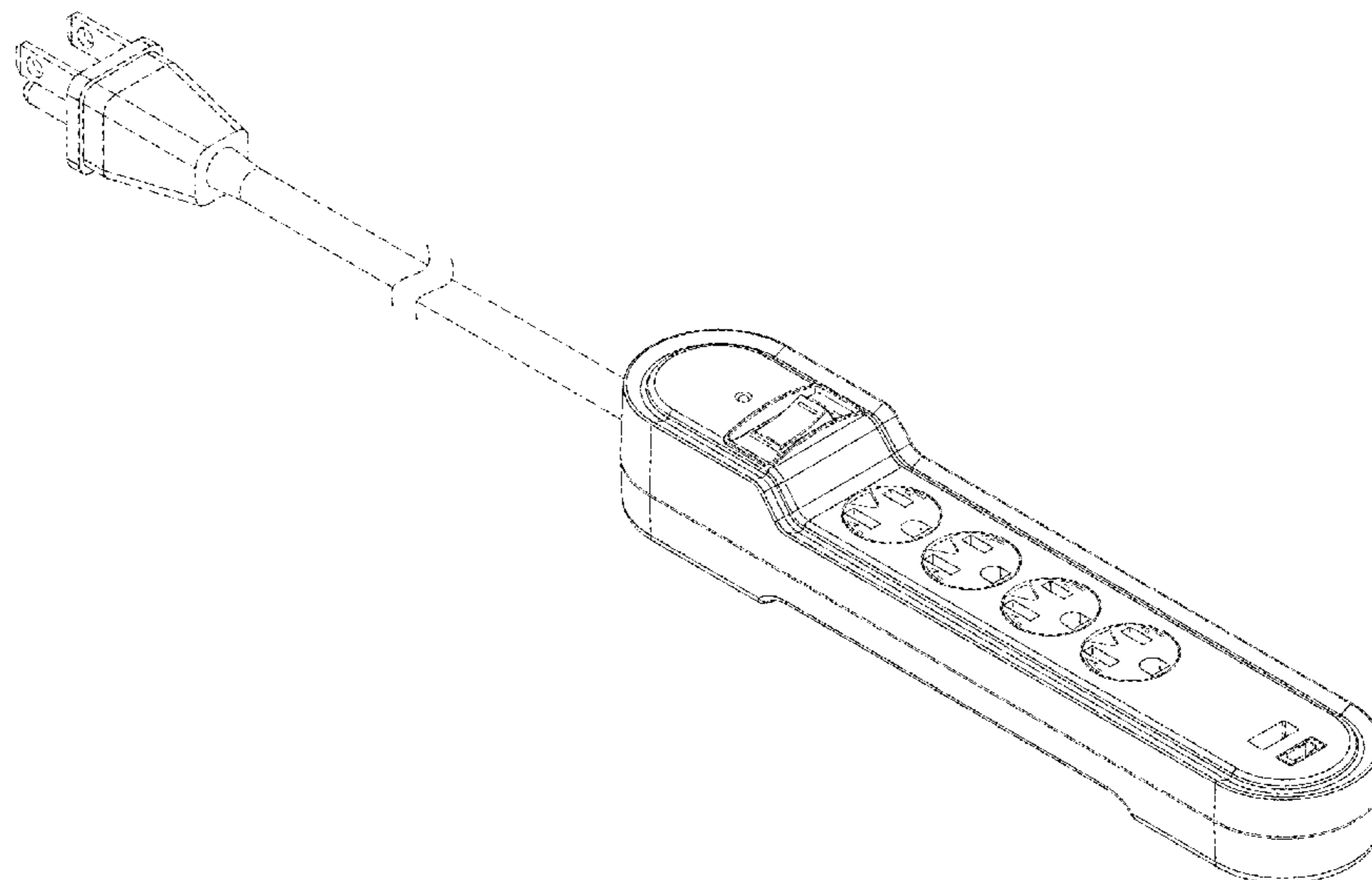
(57) **CLAIM**

The ornamental design for a socket for extension cord, as shown and described.

DESCRIPTION

FIG. 1 is a top front right side perspective view of a socket for extension cord, showing our new design;
FIG. 2 is a front view thereof;
FIG. 3 is a rear view thereof;
FIG. 4 is a left side view thereof;
FIG. 5 is a right side view thereof;
FIG. 6 is a top view thereof; and,
FIG. 7 is a bottom view thereof.
The broken lines depict portions of the socket for extension cord that form no part of the claimed design.

1 Claim, 7 Drawing Sheets



(56)

References Cited

U.S. PATENT DOCUMENTS

D914,610	S	*	3/2021	Lyu	D13/139.1
D920,253	S	*	5/2021	Tao	D13/137.2
D920,254	S	*	5/2021	Tao	D13/137.2
D922,327	S	*	6/2021	Tao	D13/137.2
D934,180	S	*	10/2021	Yan	D13/139.8
D937,216	S	*	11/2021	Tao	D13/139.1
D938,360	S	*	12/2021	Chang	D13/137.2
2002/0022406	A1	*	2/2002	Hutchison	H01R 4/4818 439/652
2007/0040448	A1	*	2/2007	Yu	H01R 13/70 307/38
2009/0091192	A1	*	4/2009	Robertson	G06F 1/266 307/125
2016/0104988	A1	*	4/2016	Lee	H01R 13/6691 439/620.21
2017/0104299	A1	*	4/2017	Vu	H01R 24/78
2021/0111524	A1	*	4/2021	Jie	H01R 25/003

FOREIGN PATENT DOCUMENTS

KR	300821222.0000	*	10/2016
KR	300896160.0000	*	3/2017
KR	301086617.0000	*	12/2020

OTHER PUBLICATIONS

“Amazon Basics 6-Outlet, 200 Joule Surge Protector Power Strip, 2 Foot, White—Pack of 2”, first available Jul. 22, 2015. Amazon.com [https://www.amazon.com/dp/B00TP1BWMK] (Year: 2015).*

“CyberPower GS60304 Power Strip 6-Outlets 3-Foot Cord White”, first available Aug. 3, 2016. Amazon.com [https://www.amazon.com/CyberPower-GS60304-Power-6-Outlets-3-Foot/dp/B01JRLT65C] (Year: 2016).*

“Amazon Basics 6-Outlet Surge Protector Power Strip, 2 USB Ports, 2 Ft Cord—500 Joule, Black, 2-Pack”, first available Sep. 25, 2019. Amazon.com [https://www.amazon.com/AmazonBasics-6-Outlet-Surge-Protector-Power/dp/B07Q54SMY8] (Year: 2019).*

“GE 6-Outlet Power Strip, 2 Pack, 2 Ft Extension Cord, Heavy Duty Plug, Grounded, Integrated Circuit Breaker, 3-Prong, Wall Mount, UL Listed, White, 14833”, first available May 6, 2012. Amazon.com [https://www.amazon.com/dp/B0080Z7974] (Year: 2012).*

“KMC 6-Outlet Surge Protector Power Strip 2-Pack, 900 Joules, 4-Foot Extension Cord, Overload Protection, Black”, first available Dec. 9, 2017. Amazon.com [https://www.amazon.com/dp/B0781SKPRZ] (Year: 2017).*

“GE 6-Outlet Surge Protector, 10 Ft Extension Cord, Power Strip, 800 Joules, Flat Plug, Twist-to-Close Safety Covers, UL Listed, White, 14092”, first available Nov. 1, 2011. Amazon.com [https://www.amazon.com/dp/B00DOMYL24] (Year: 2011).*

“2 Pack Power Strip Surge Protector—5 Widely Spaced Outlets 3 USB Charging Ports, 1875W/15A with 6Ft Braided Extension Cord, Flat Plug, Overload Surge Protection, Wall Mount for Home Office”, first available Dec. 18, 2020. Amazon.com [https://www.amazon.com/dp/B08QYJMIQ3] (Year: 2020).*

* cited by examiner

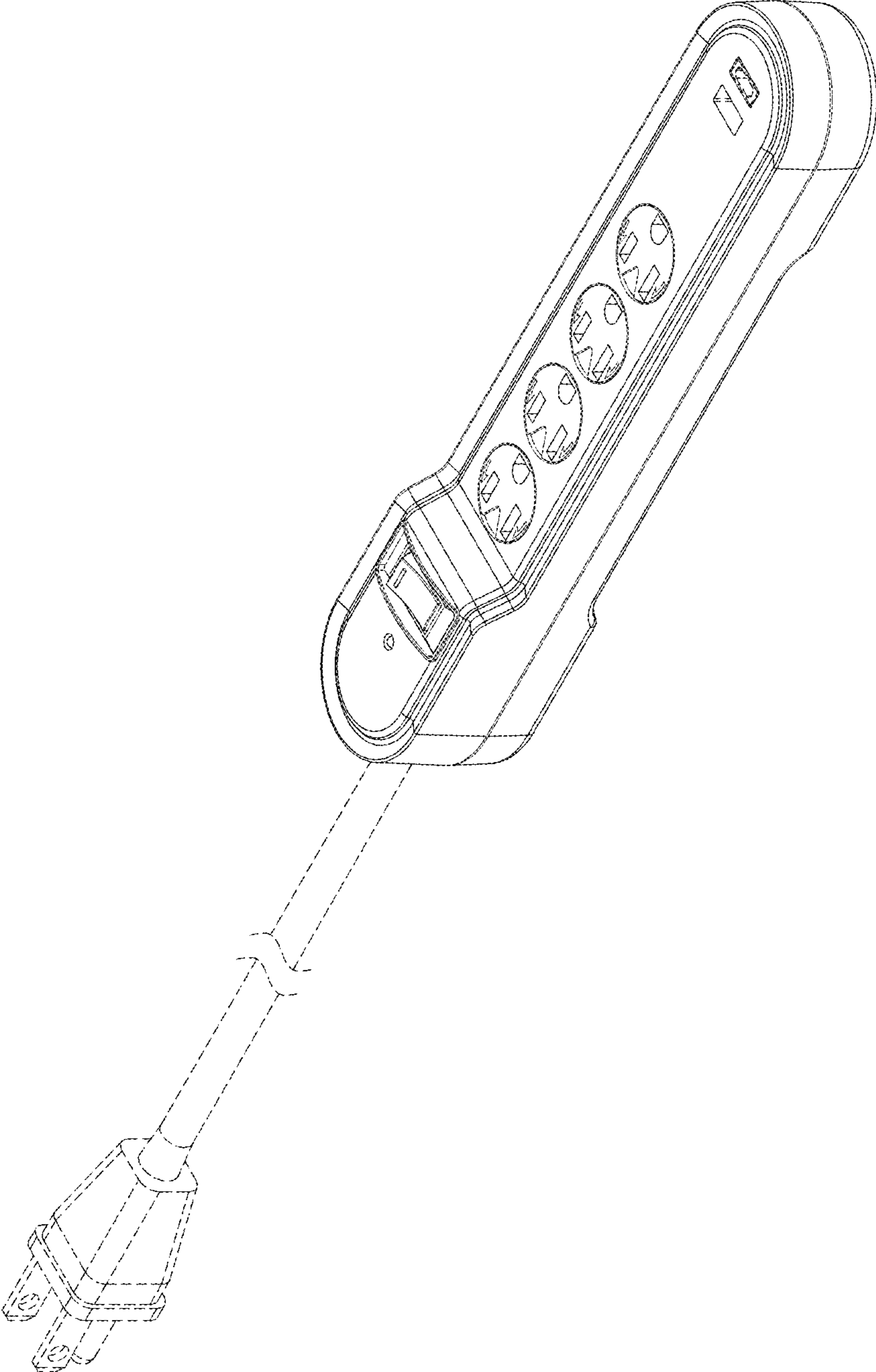


FIG. 1

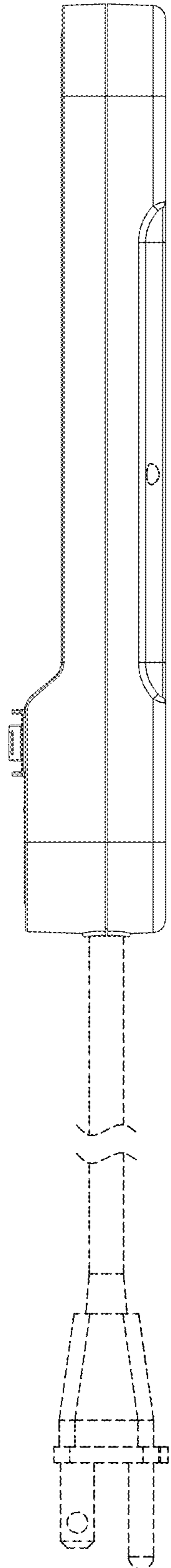


FIG. 2

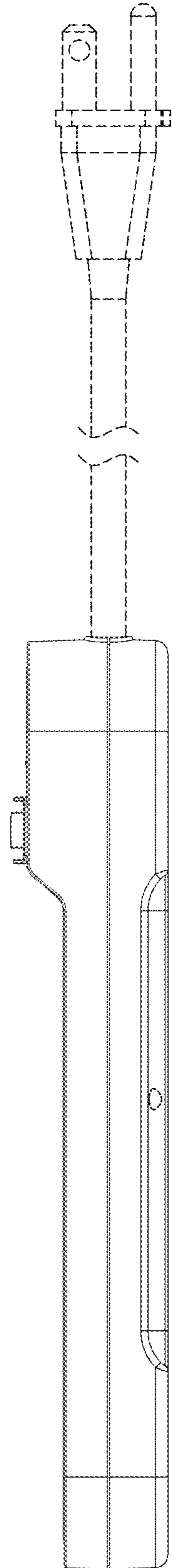


FIG. 3

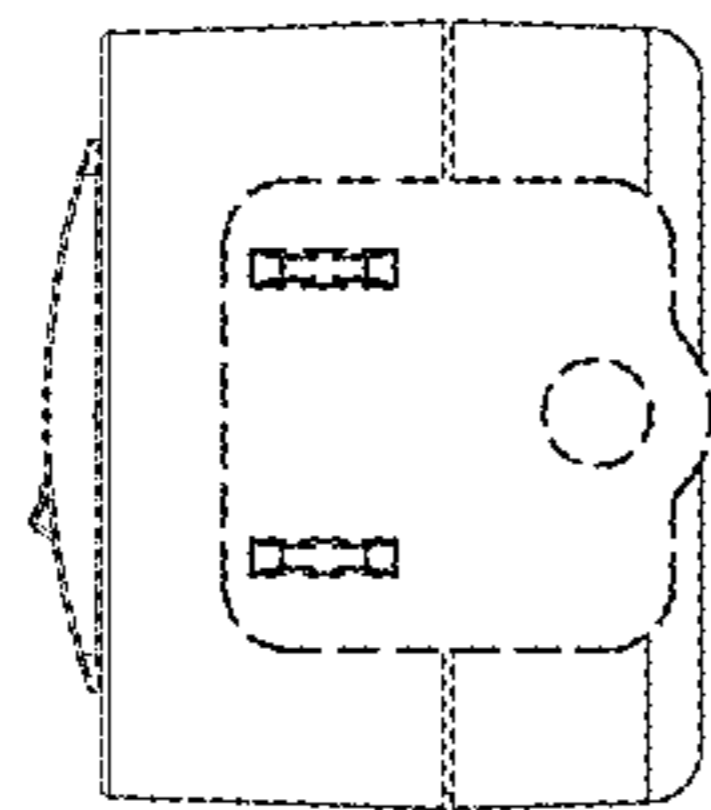


FIG. 4

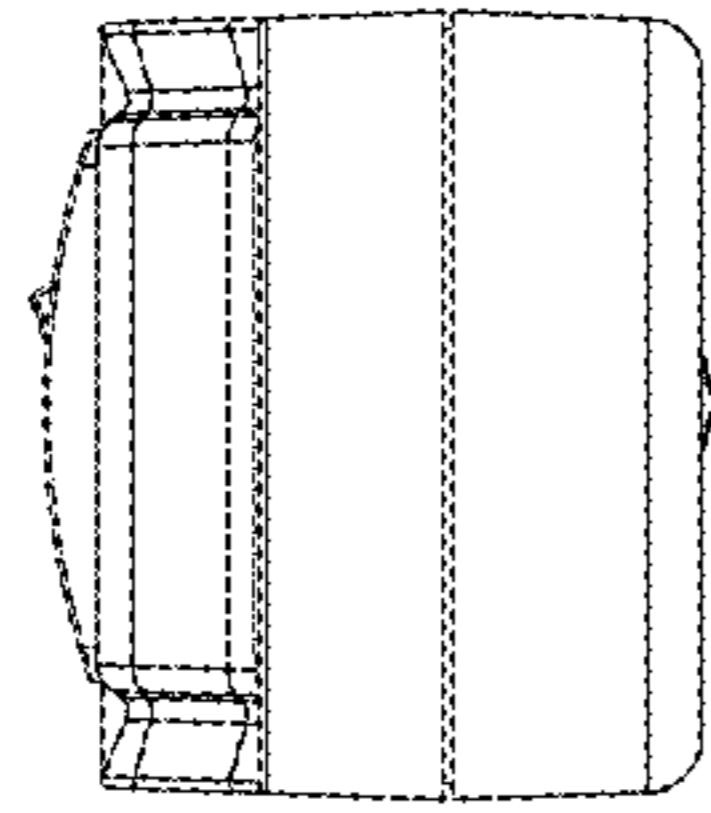


FIG. 5

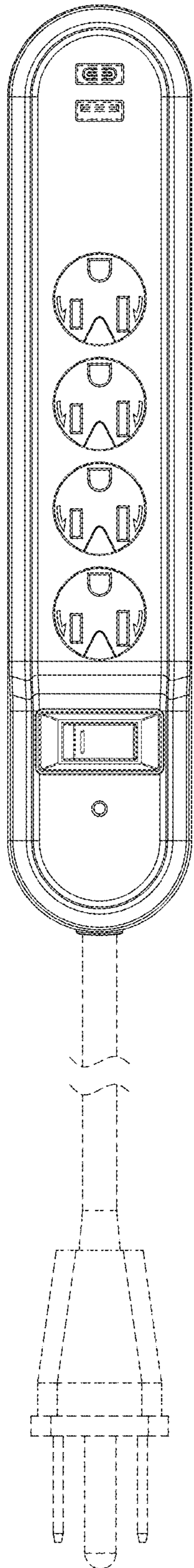


FIG. 6

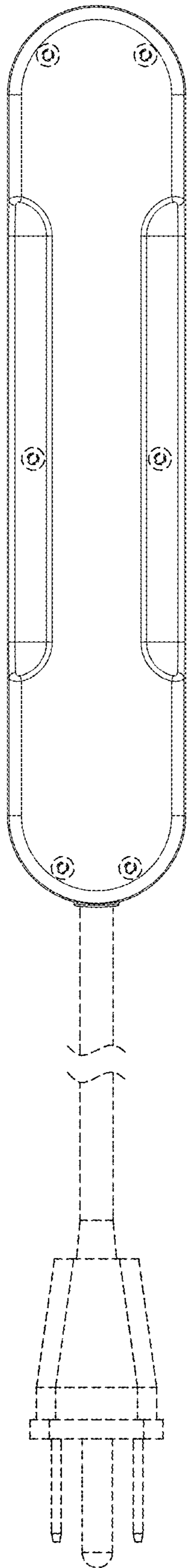


FIG. 7