



US00D978799S

(12) **United States Design Patent**
Steininger

(10) **Patent No.:** **US D978,799 S**

(45) **Date of Patent:** **** Feb. 21, 2023**

(54) **SHIM FOR A RAIL INSULATOR**

(71) Applicant: **Richard Steininger**, North Jackson, OH (US)

(72) Inventor: **Richard Steininger**, North Jackson, OH (US)

(**) Term: **15 Years**

(21) Appl. No.: **29/714,598**

(22) Filed: **Nov. 25, 2019**

(51) **LOC (14) Cl.** **13-03**

(52) **U.S. Cl.**
USPC **D13/128**; D8/349; D8/354

(58) **Field of Classification Search**
USPC D8/349, 354; D12/49, 50, 51, 180;
D13/123, 128, 129, 154, 199; D14/453;
D30/147

(Continued)

(56) **References Cited**

U.S. PATENT DOCUMENTS

1,731,796 A * 10/1929 Schmid B60M 1/307
105/60
2,502,756 A * 4/1950 Schmid B60M 1/307
191/32

(Continued)

FOREIGN PATENT DOCUMENTS

DE 4207622 A1 9/1993
GB 779450 A 7/1957

(Continued)

OTHER PUBLICATIONS

Siteright, Date: Mar. 5, 2012, [online], [site visited Oct. 21, 2021].
Available from internet, URL: <http://www.siteright.net/plastic-levelling-shims-p-178.html> (Year: 2012).*

(Continued)

Primary Examiner — Shawn T Gingrich

Assistant Examiner — Bryan N. Melvin

(74) *Attorney, Agent, or Firm* — Lippes Mathias LLP

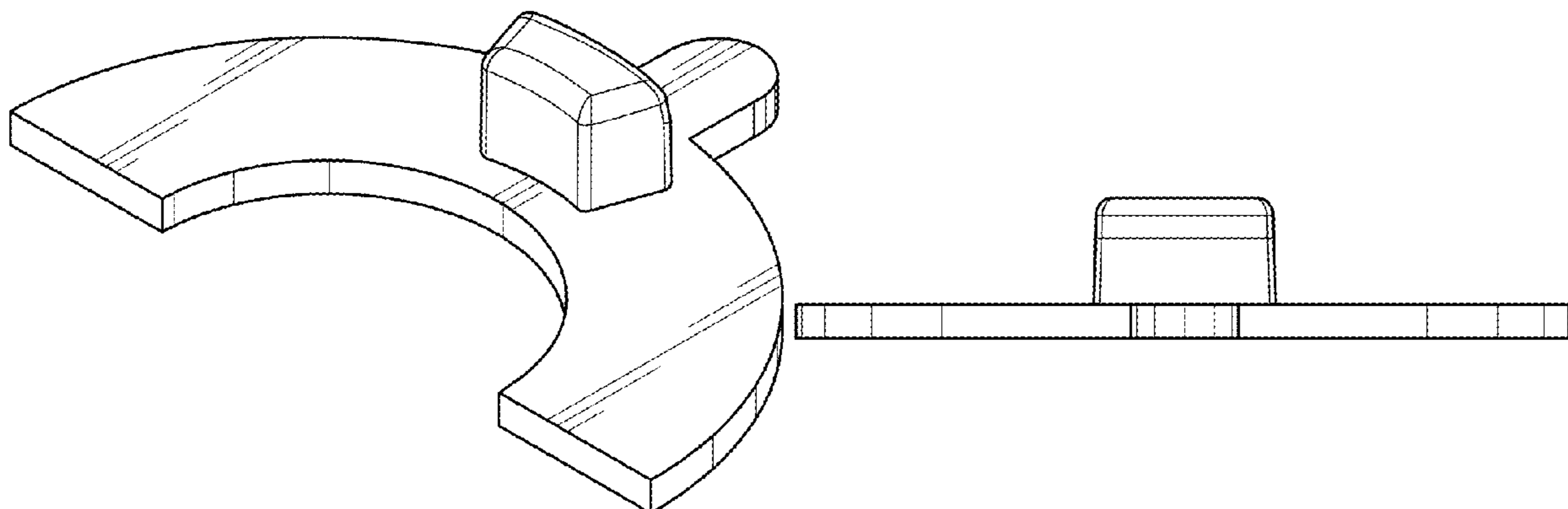
(57) **CLAIM**

The ornamental design for a shim for a rail insulator, as shown and described.

DESCRIPTION

FIG. 1 is a perspective view of a first embodiment of a shim for a rail insulator showing my new design;
FIG. 2 is a top plan view thereof;
FIG. 3 is a bottom plan view thereof;
FIG. 4 is a front elevational view thereof;
FIG. 5 is a right side elevational view thereof, with the left side elevational view being a mirror image thereof;
FIG. 6 is a rear elevational view thereof;
FIG. 7 is a perspective view of a second embodiment of a shim for a rail insulator showing my new design;
FIG. 8 is a top plan view thereof;
FIG. 9 is a bottom plan view thereof;
FIG. 10 is a front elevational view thereof;
FIG. 11 is a right side elevational view thereof, with the left side elevational view being a mirror image thereof;
FIG. 12 is a rear elevational view thereof;
FIG. 13 is a perspective view of a third embodiment of a shim for a rail insulator showing my new design;
FIG. 14 is a top plan view thereof;
FIG. 15 is a bottom plan view thereof;
FIG. 16 is a front elevational view thereof;
FIG. 17 is a right side elevational view thereof, with the left side elevational view being a mirror image thereof;
FIG. 18 is a rear elevational view thereof;
FIG. 19 is a perspective view of a fourth embodiment of a shim for a rail insulator showing my new design;
FIG. 20 is a top plan view thereof;
FIG. 21 is a bottom plan view thereof;
FIG. 22 is a front elevational view thereof;
FIG. 23 is a right side elevational view thereof, with the left side elevational view being a mirror image thereof; and,
FIG. 24 is a rear elevational view thereof.

(Continued)



The broken lines in the drawings illustrate portions of a shim for a rail insulator that form no part of the claimed design.

1 Claim, 4 Drawing Sheets

(58) Field of Classification Search

CPC B60M 1/00; B60M 1/30; B60M 1/307;
E06B 1/6069

See application file for complete search history.

(56) References Cited

U.S. PATENT DOCUMENTS

D246,346	S	*	11/1977	Strunk	D8/354
4,559,413	A	*	12/1985	Logstrup	B60M 1/307 174/149 B
4,809,421	A	*	3/1989	Justice	E06B 1/6069 248/188.2
D320,200	S	*	9/1991	Kirwan	D14/453
D357,452	S	*	4/1995	Steinke	D12/180
D423,909	S	*	5/2000	Hartin	D8/349

D507,475	S	*	7/2005	Phillips	D8/349
7,703,589	B2		4/2010	Kalitzki		
D679,173	S	*	4/2013	Parady	D8/354
D702,529	S	*	4/2014	Diez Herrera	D8/349
D812,014	S	*	3/2018	Katagiyama	D13/154
D835,856	S	*	12/2018	Ford	D30/147

FOREIGN PATENT DOCUMENTS

GB		1003637	A	9/1965
GB		2276498	A	9/1994
GB		2276499	A	9/1994
GB		2412018	A	9/2005

OTHER PUBLICATIONS

Disco Automotive, Date: Dec. 13, 2012, [online], [site visited Oct. 21, 2021]. Available from internet, URL: <http://www.siteright.net/plastic-levelling-shims-p-178.html> (Year: 2012).*

[www.alliedinsulators.com/products/railways/conductor-rail-in . . .](http://www.alliedinsulators.com/products/railways/conductor-rail-in...), "Conductor Rail Insulators", Allied Insulators, Sep. 16, 2019, 3 pages.

* cited by examiner

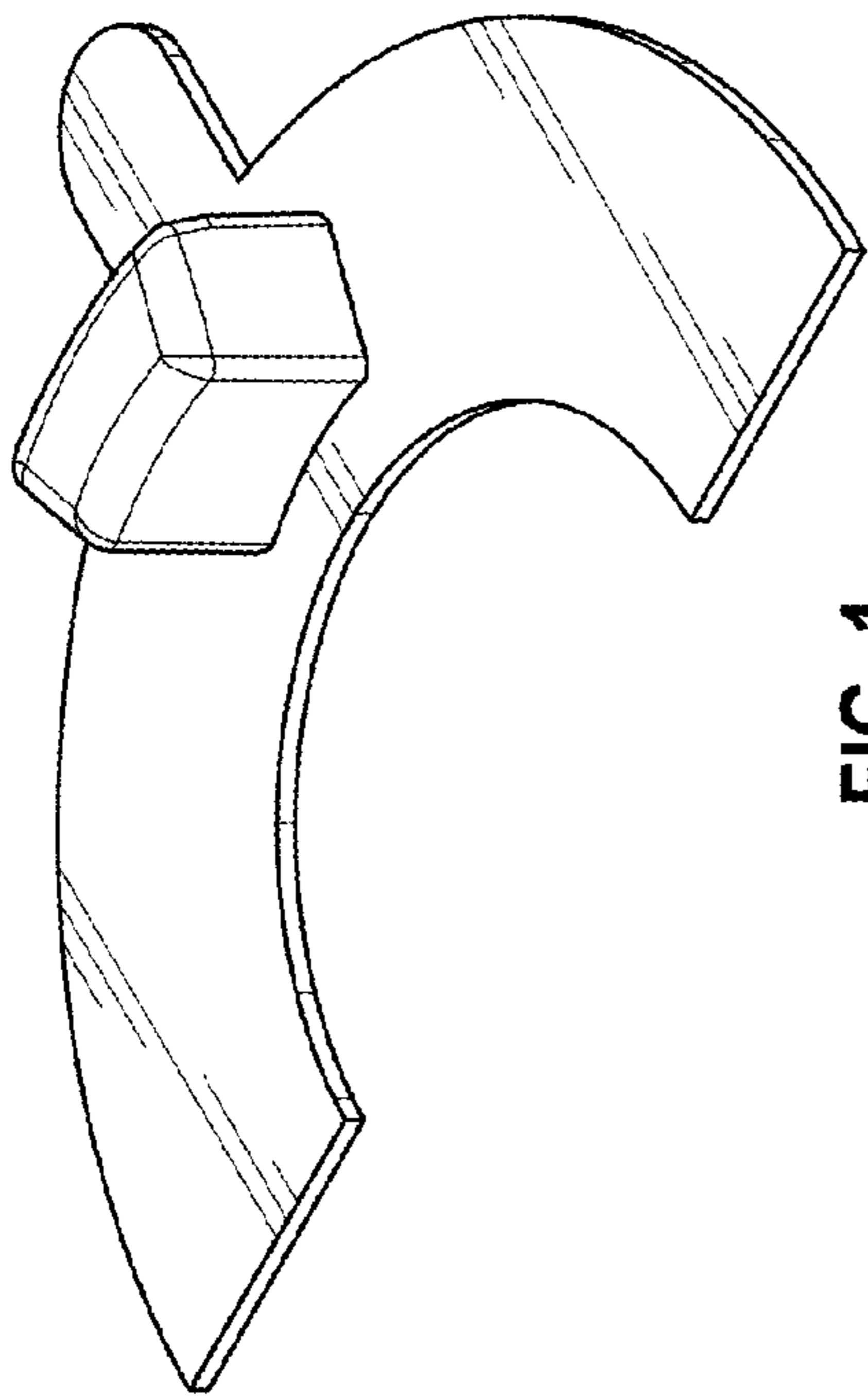


FIG. 1

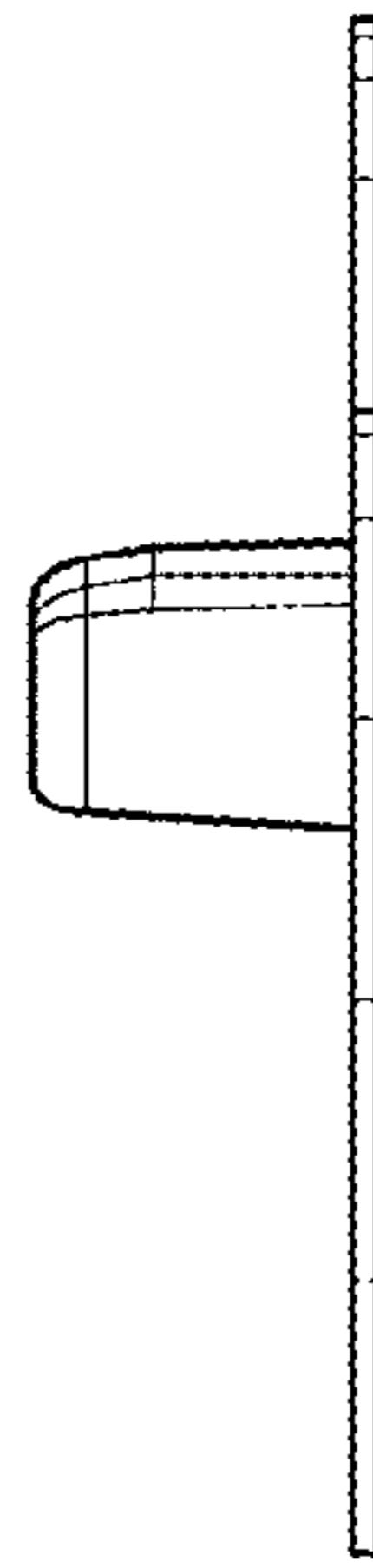


FIG. 5

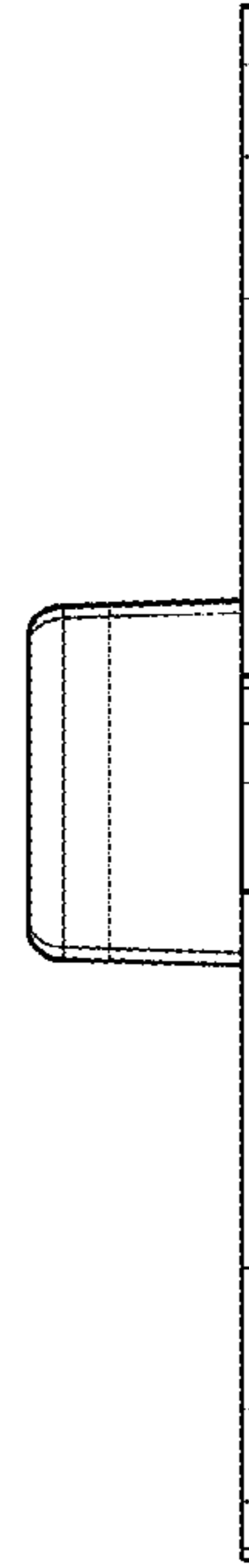


FIG. 6

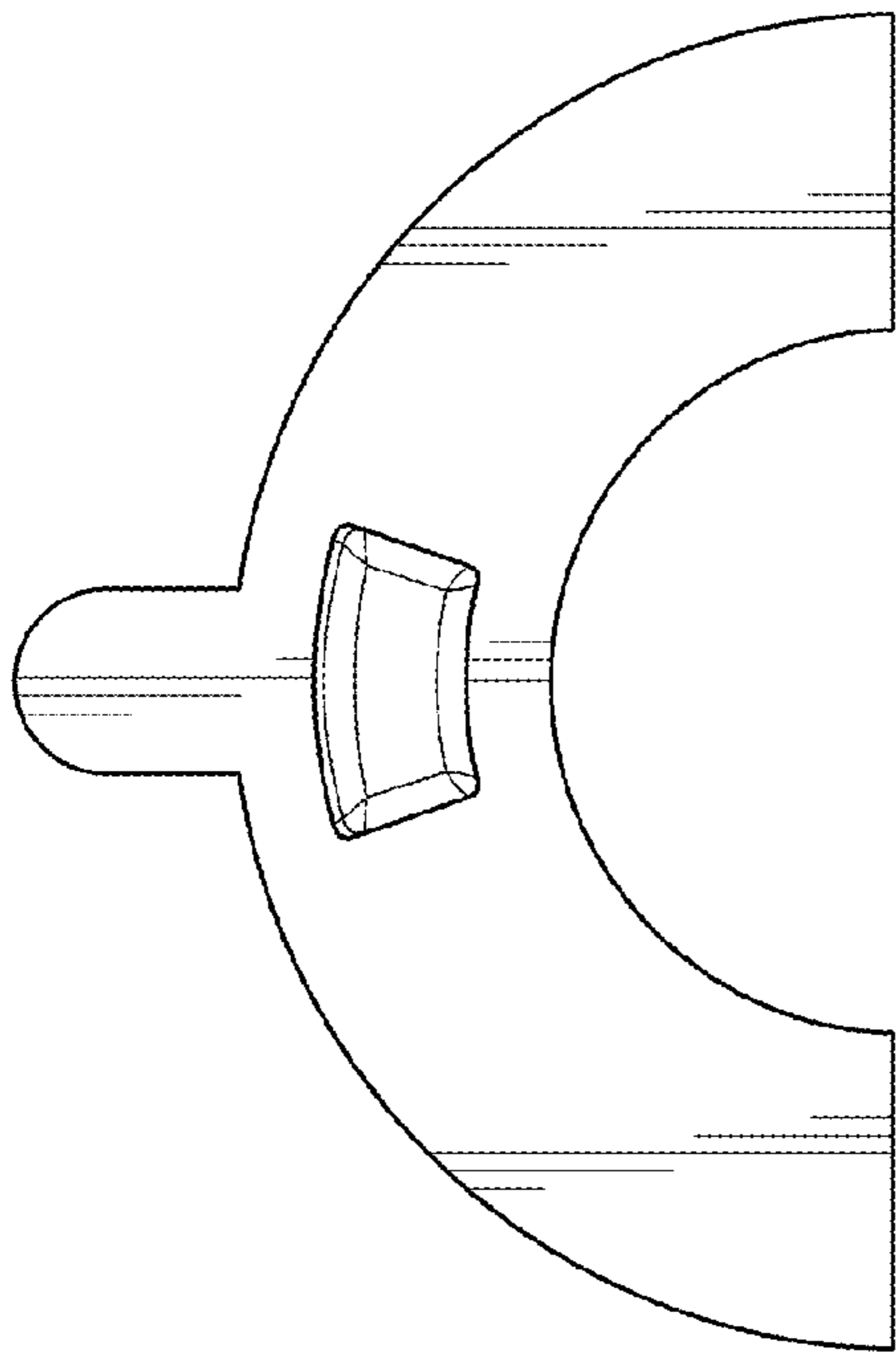


FIG. 2

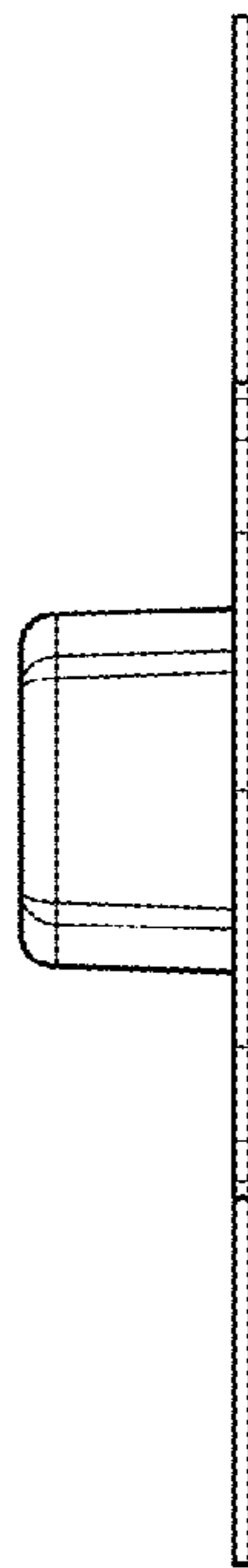


FIG. 4

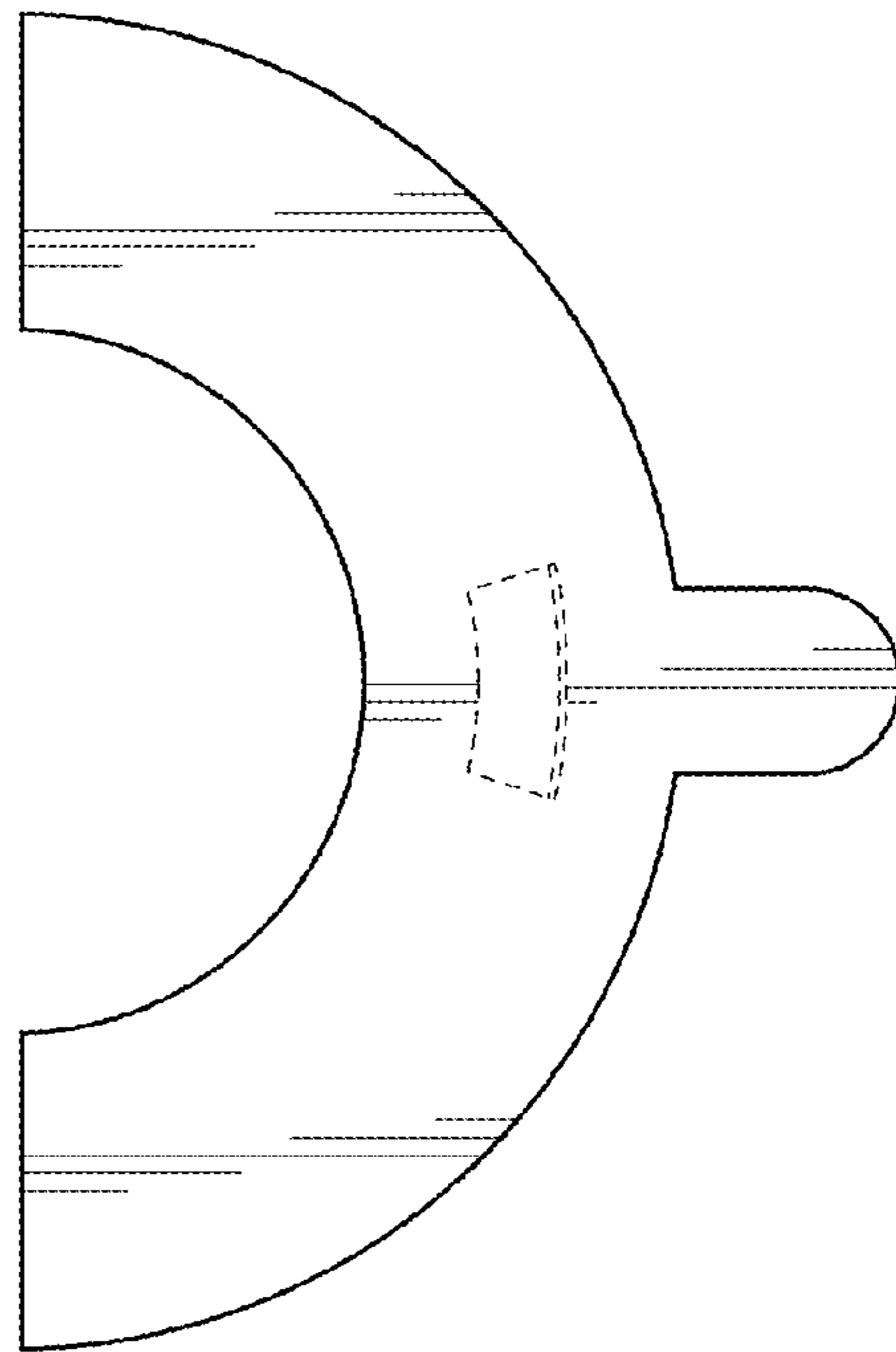


FIG. 3

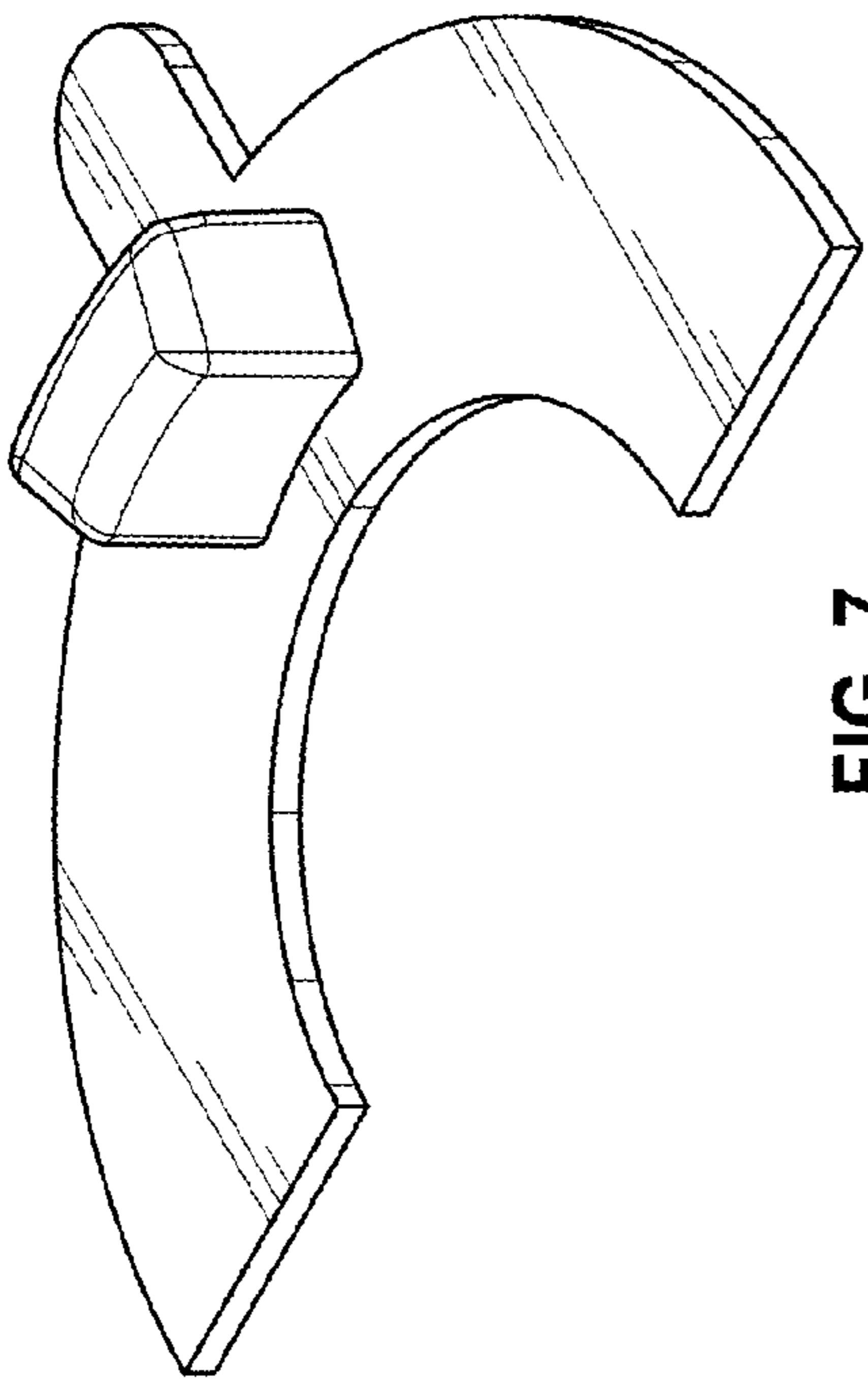


FIG. 7

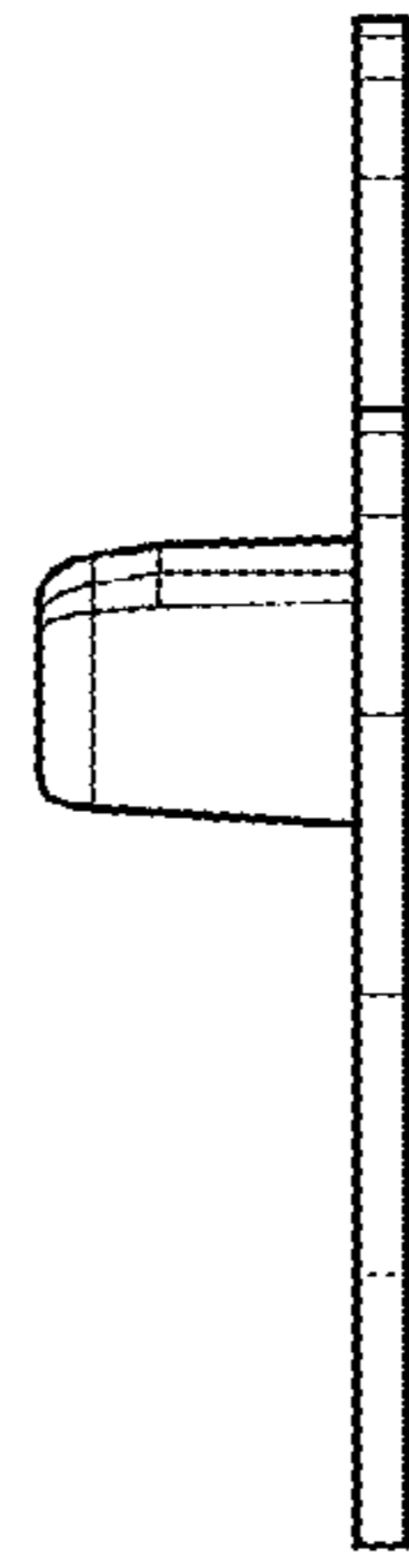


FIG. 11

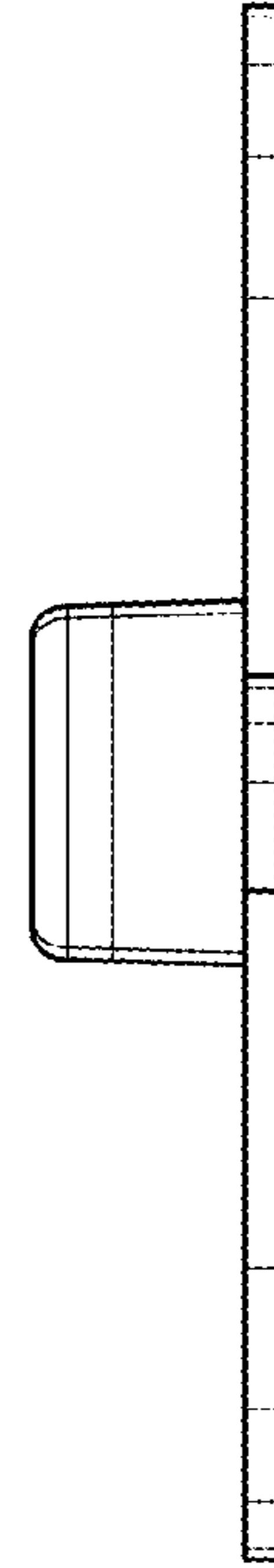


FIG. 12

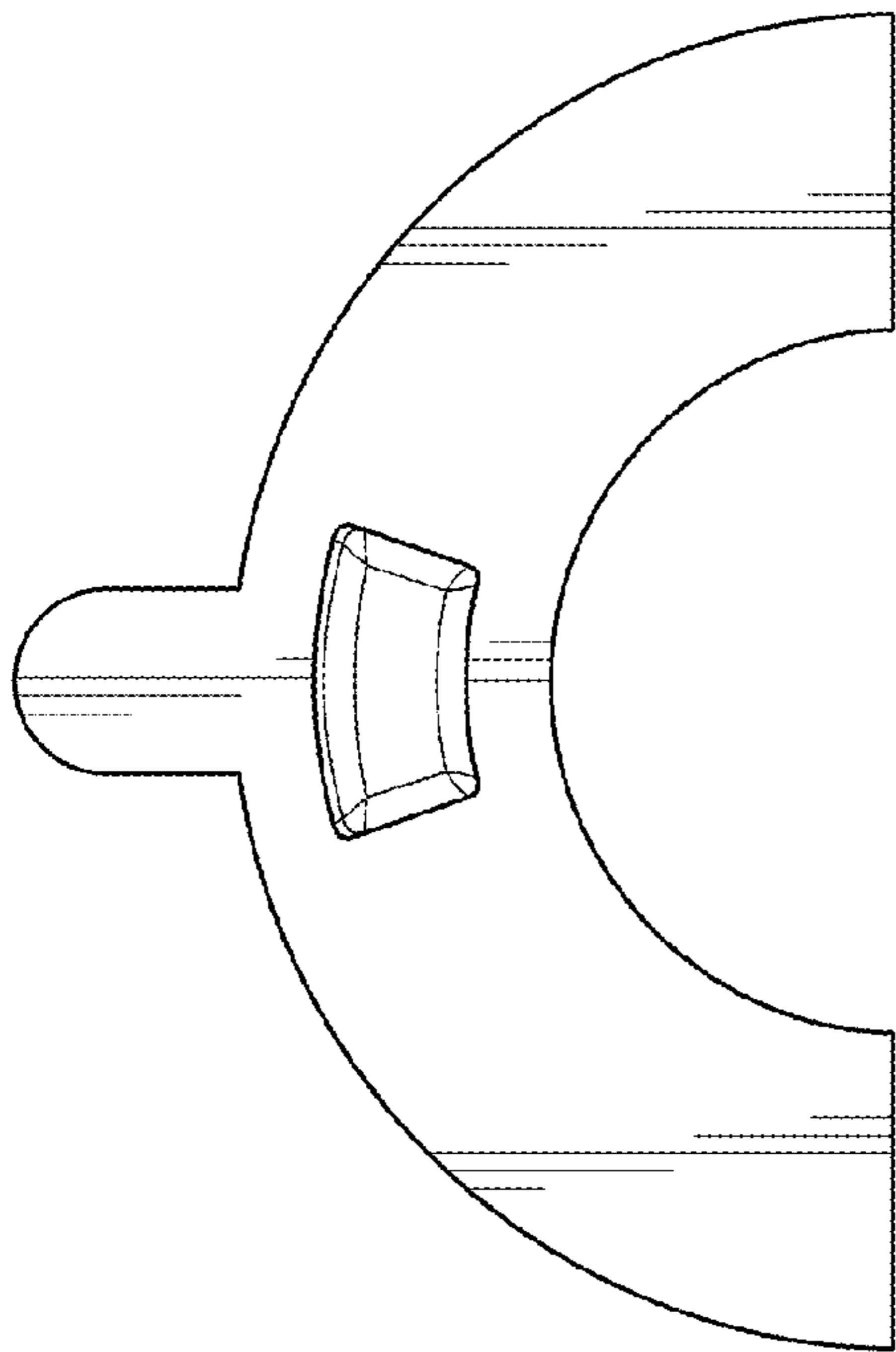


FIG. 8

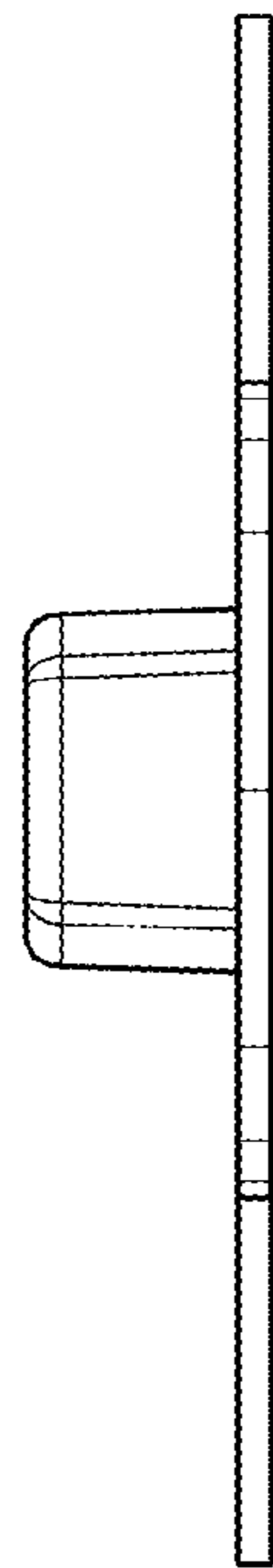


FIG. 10

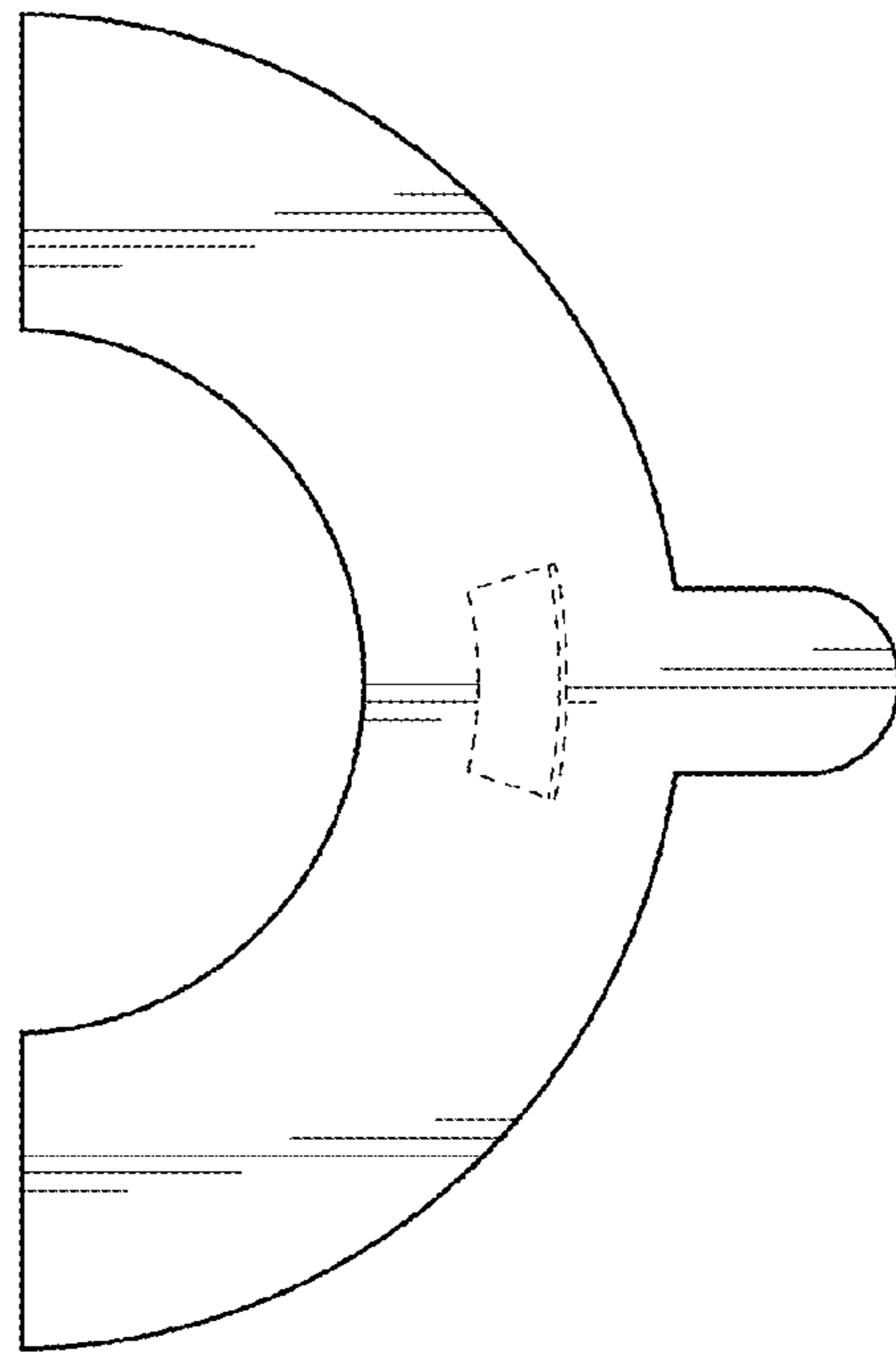


FIG. 9

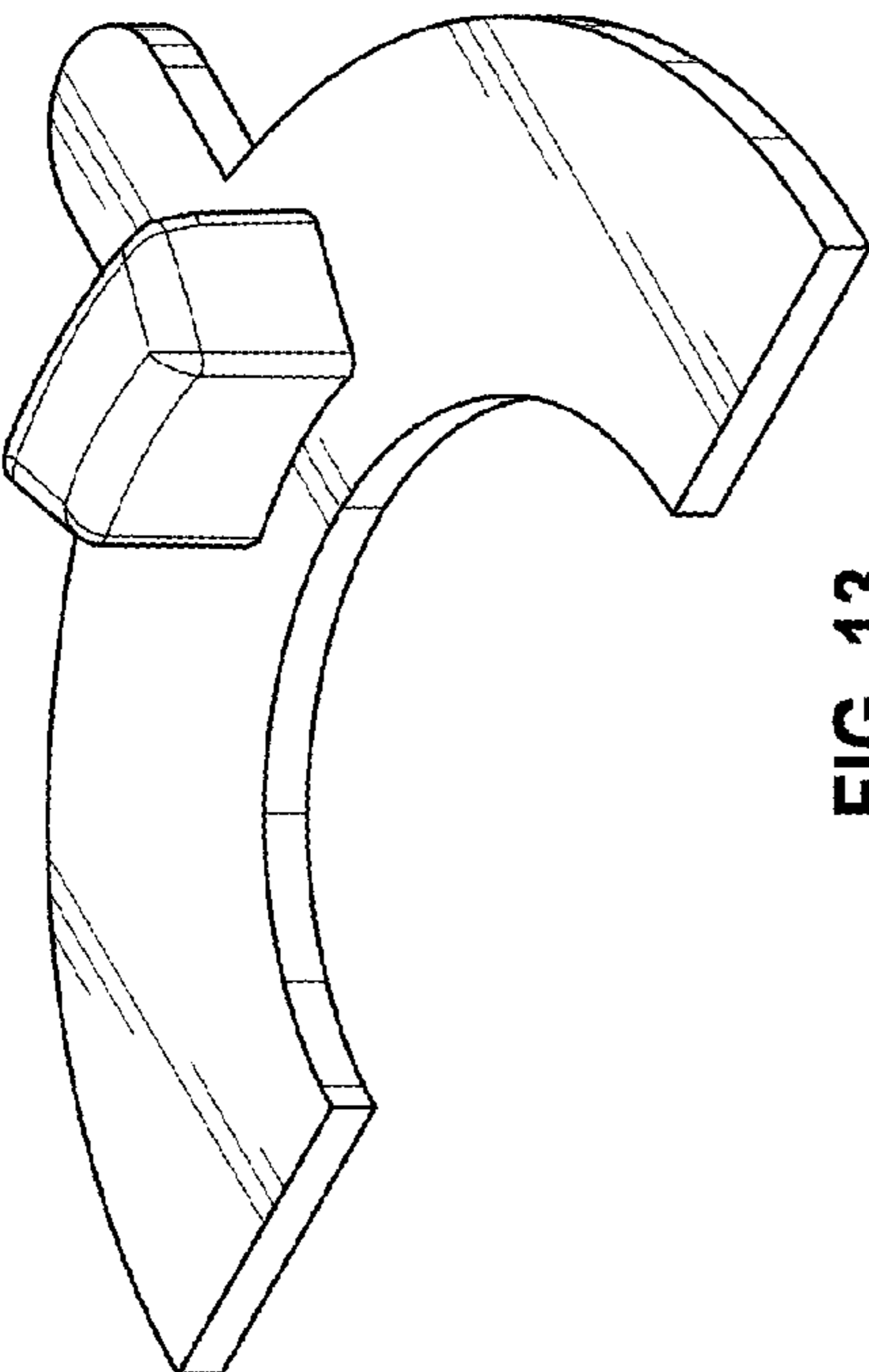


FIG. 13

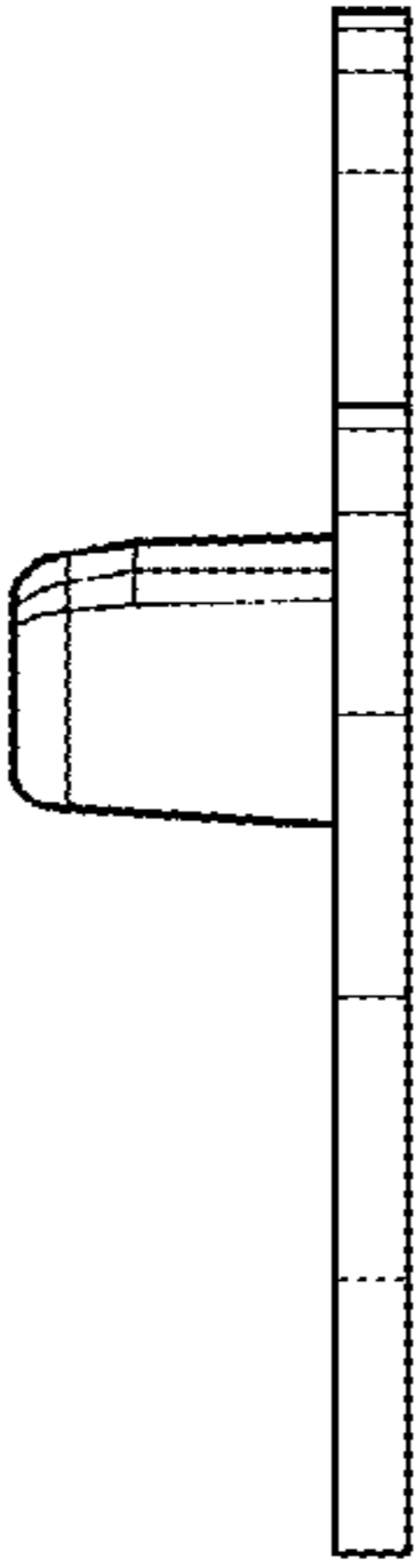


FIG. 17

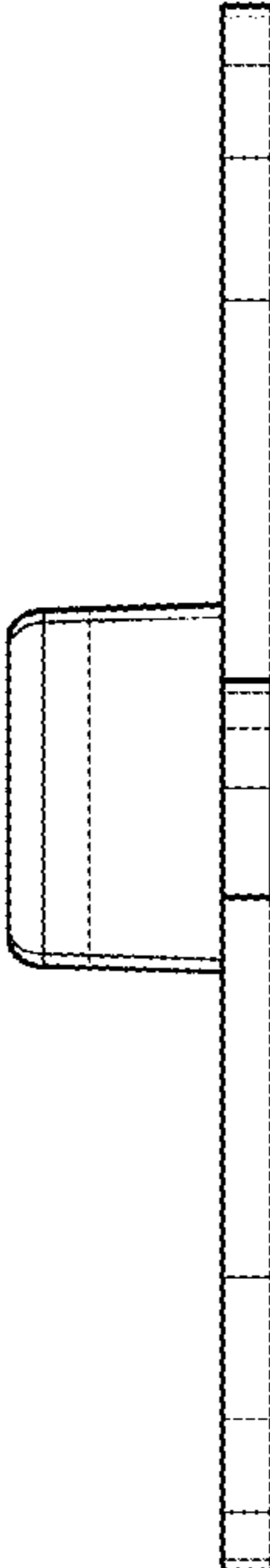


FIG. 18

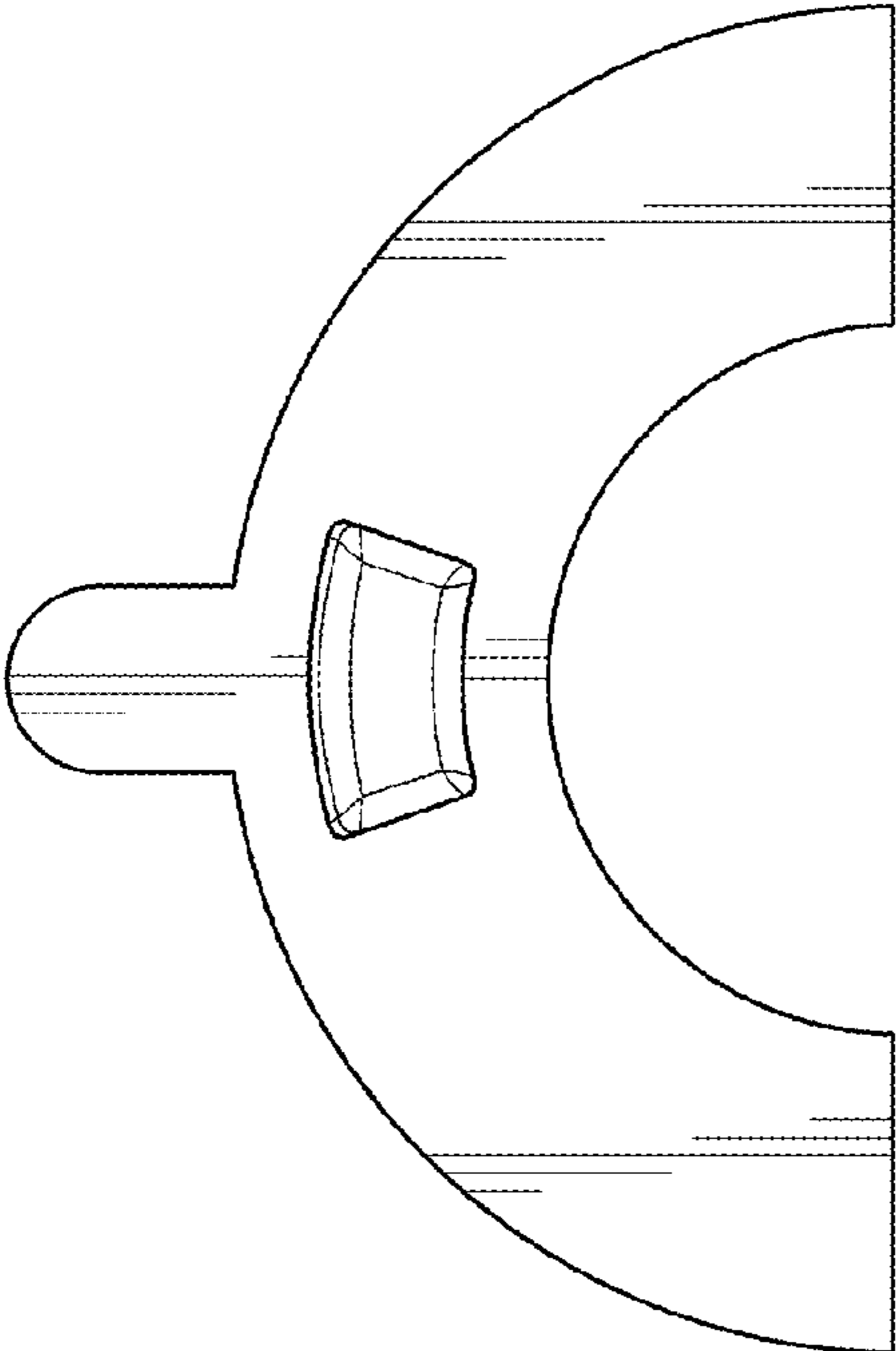


FIG. 14

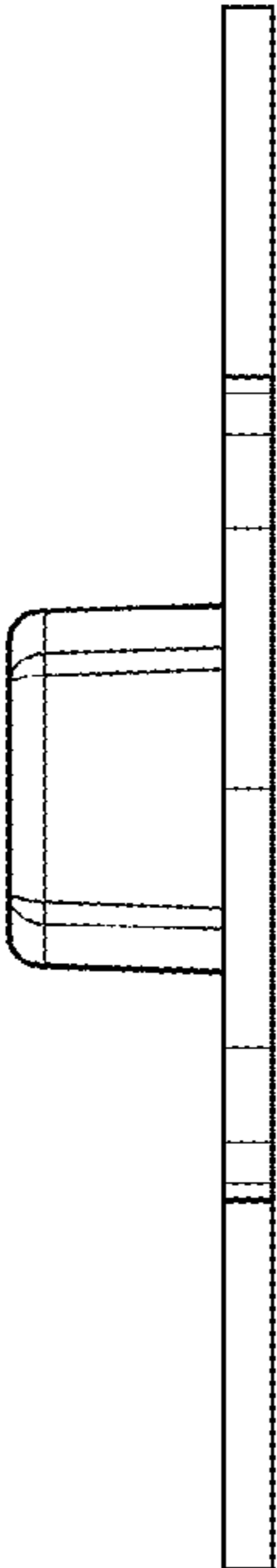


FIG. 16

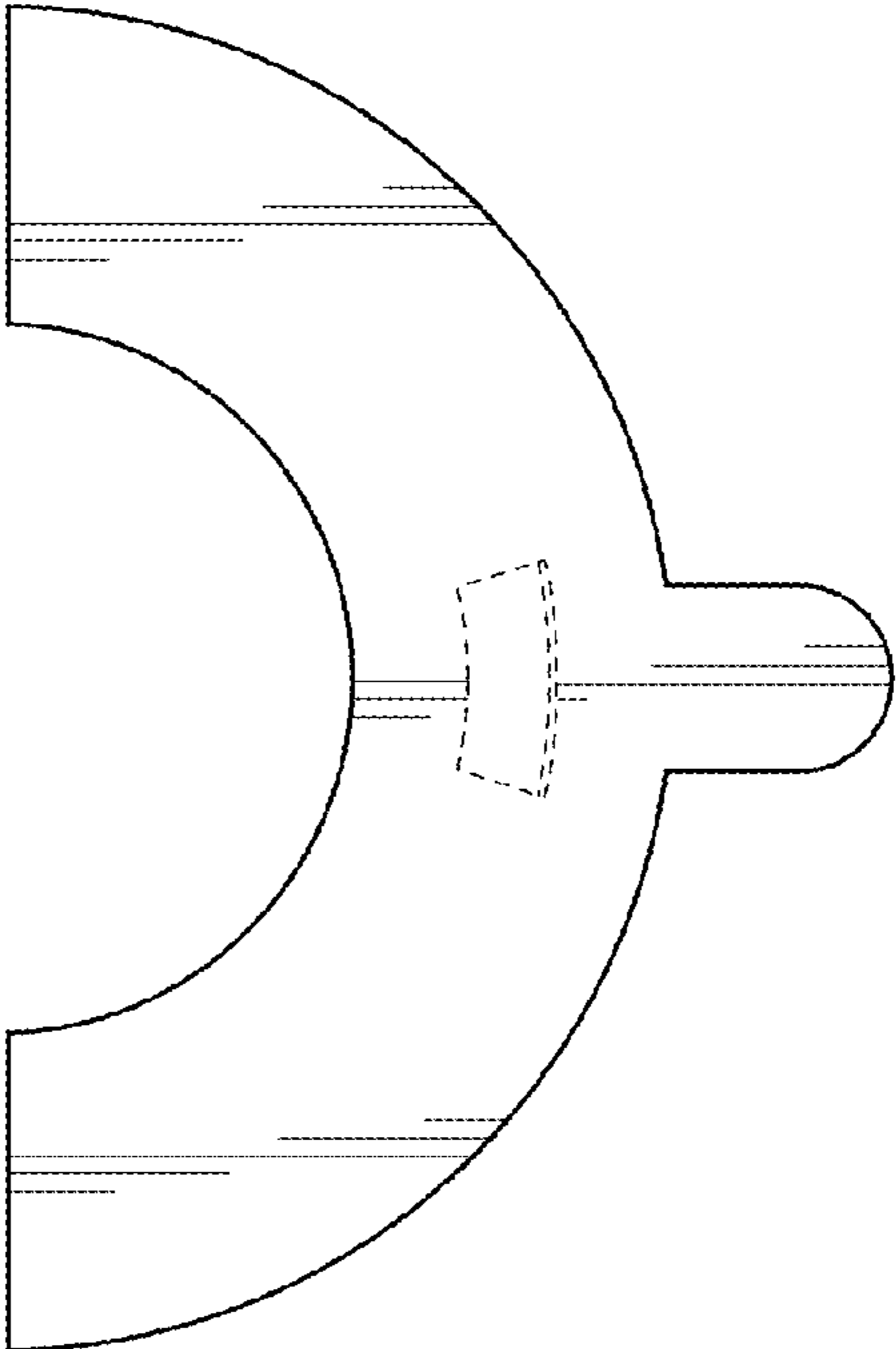


FIG. 15

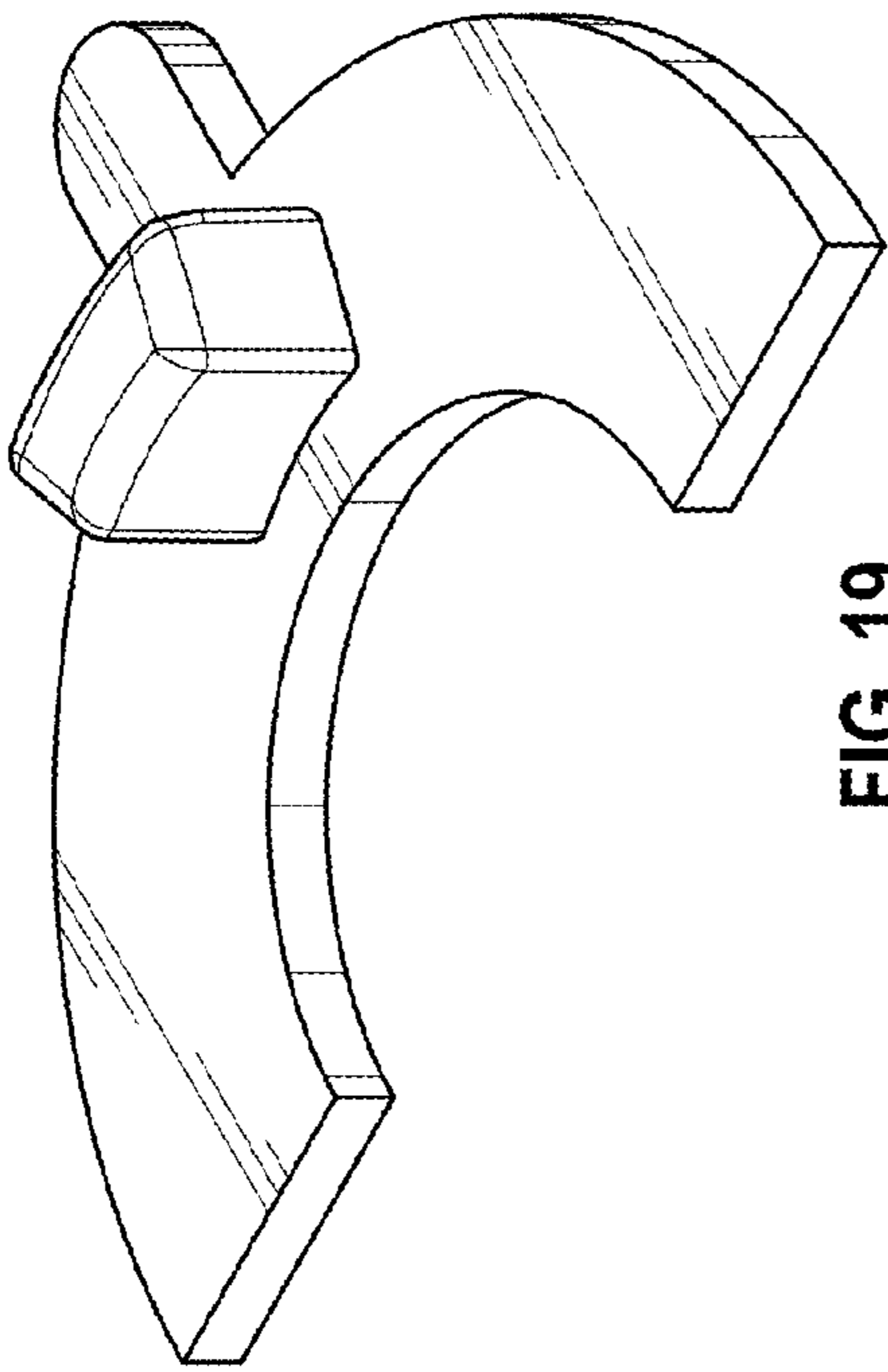


FIG. 19

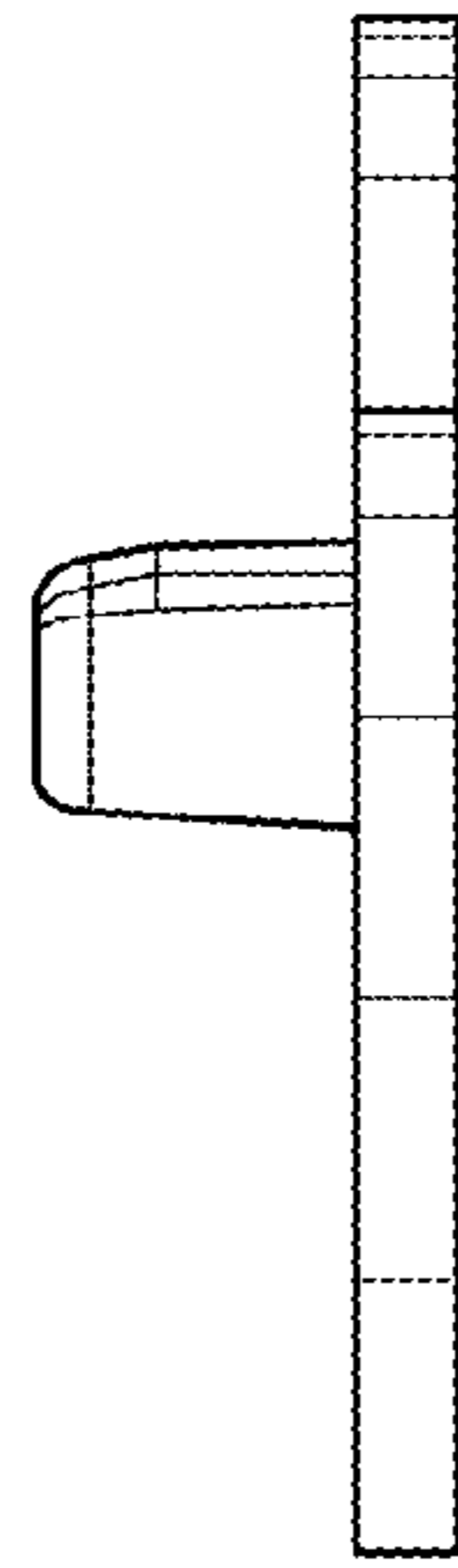


FIG. 23

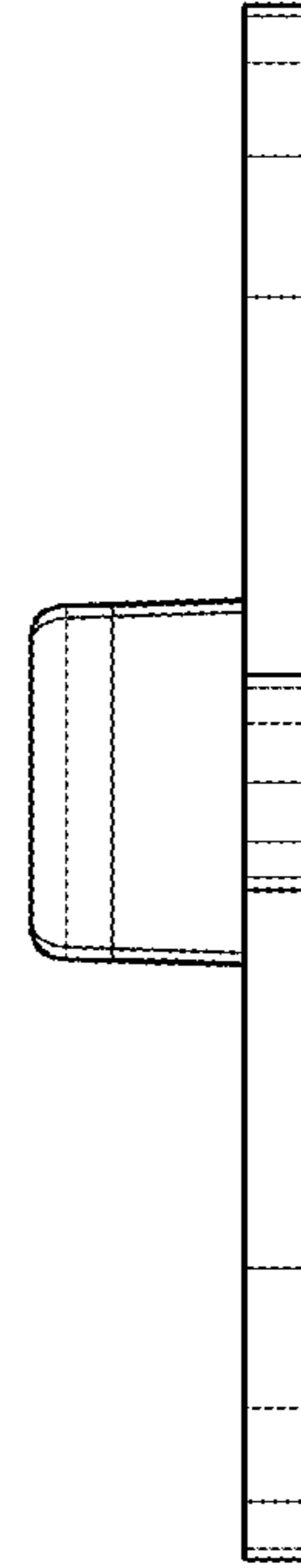


FIG. 24

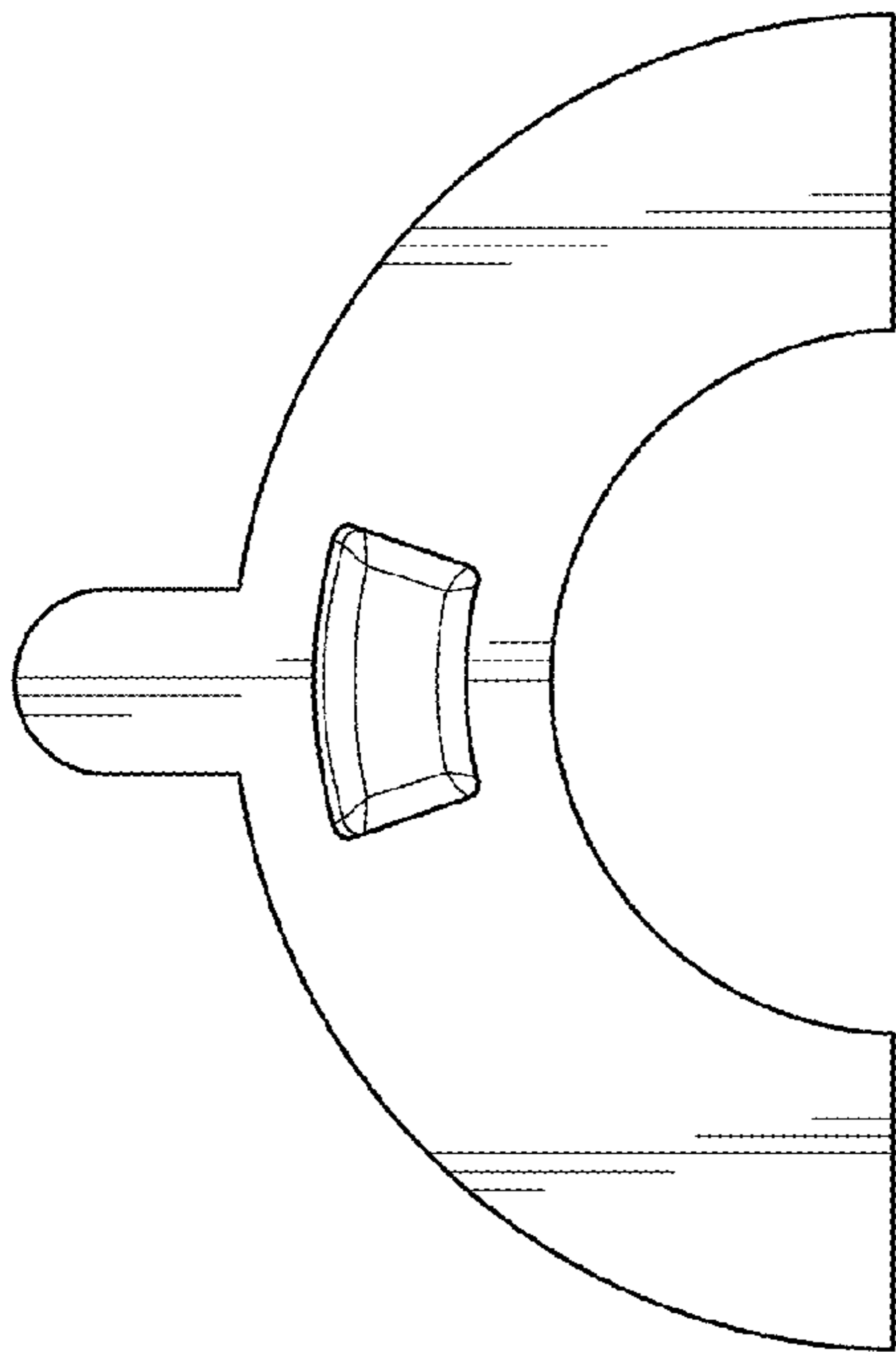


FIG. 20

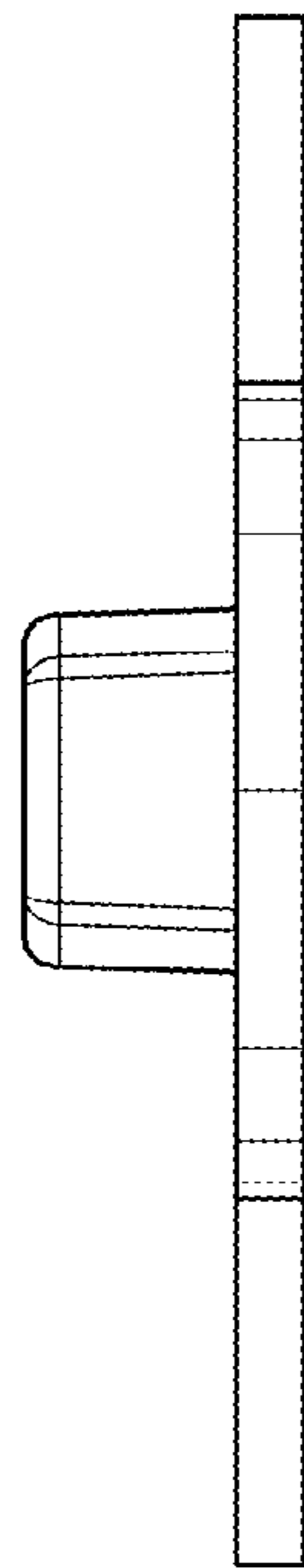


FIG. 22

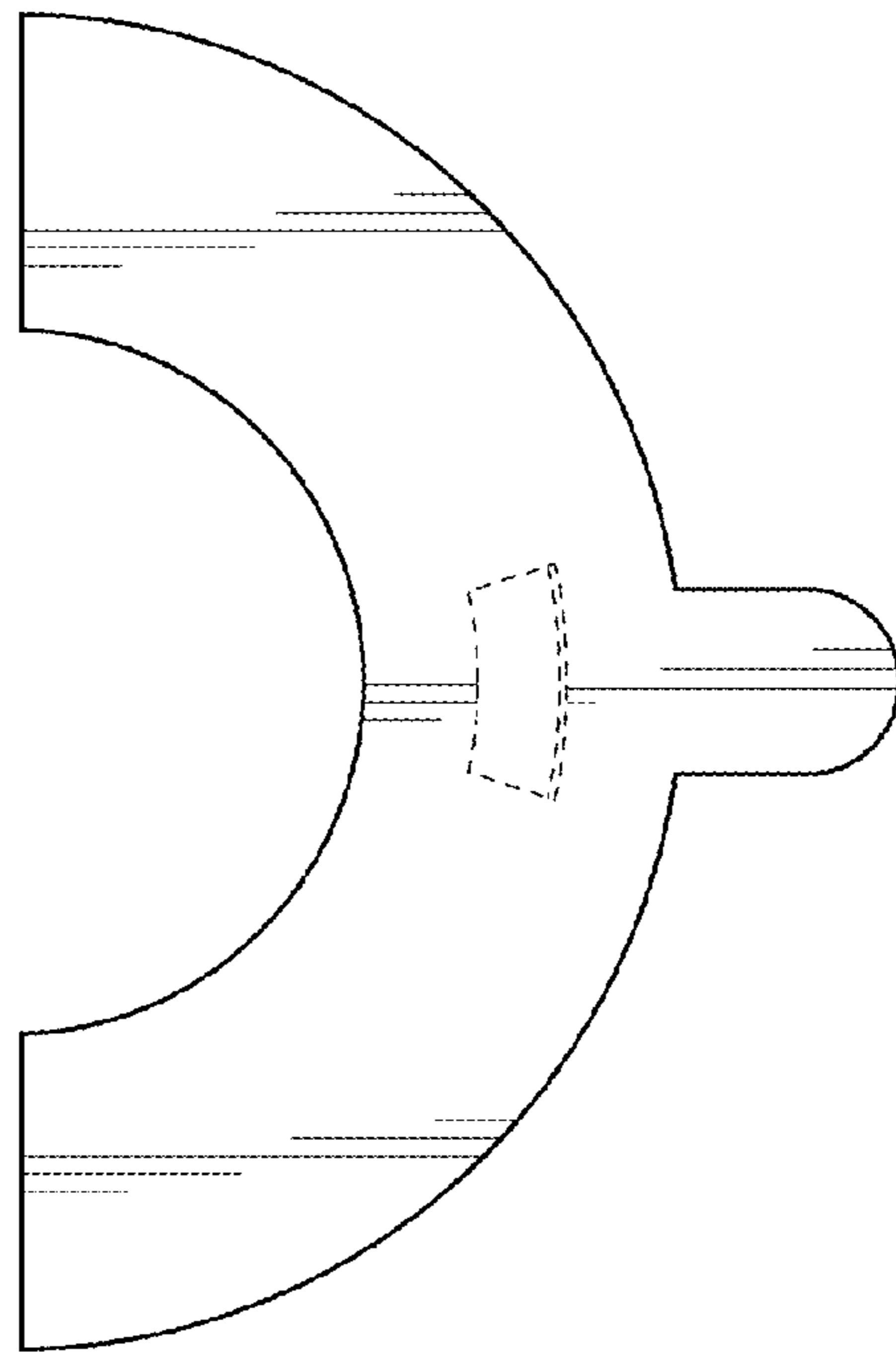


FIG. 21