



US00D978797S

(12) **United States Design Patent**
Wang

(10) **Patent No.:** **US D978,797 S**

(45) **Date of Patent:** **** Feb. 21, 2023**

(54) **POWER ADAPTER**

(71) Applicant: **Shenzhen XinTaide Technology Co., Ltd**, Shenzhen (CN)

(72) Inventor: **Qiang Wang**, Shenzhen (CN)

(73) Assignee: **Shenzhen XinTaide Technology Co., Ltd**, Shenzhen (CN)

(**) Term: **15 Years**

(21) Appl. No.: **29/786,059**

(22) Filed: **May 28, 2021**

(51) **LOC (14) Cl.** **13-02**

(52) **U.S. Cl.**
USPC **D13/110**

(58) **Field of Classification Search**
USPC D13/110, 101, 107, 108, 118, 133,
D13/137.1-137.4, 138.1, 138.2, 139.1,
D13/146, 184, 199; D14/433
CPC H01R 4/66; H01R 13/44; H01R 13/4534;
H01R 13/639; H01R 13/6633; H01R
27/00; H01R 27/02; H01R 29/00; H01R
31/06; H02M 1/10; Y10S 439/911
See application file for complete search history.

(56) **References Cited**

U.S. PATENT DOCUMENTS

6,086,395 A * 7/2000 Lloyd H01R 13/6675
439/518
D434,370 S * 11/2000 Sun D13/107

D543,144 S * 5/2007 Hussaini D13/110
D555,590 S * 11/2007 Dong D13/110
D714,720 S * 10/2014 Liu D13/110
D885,342 S * 5/2020 Wang D13/110
2003/0080630 A1* 5/2003 Liu H02J 7/00047
307/150

* cited by examiner

Primary Examiner — Derrick E Holland

(74) *Attorney, Agent, or Firm* — Xuan Zhang

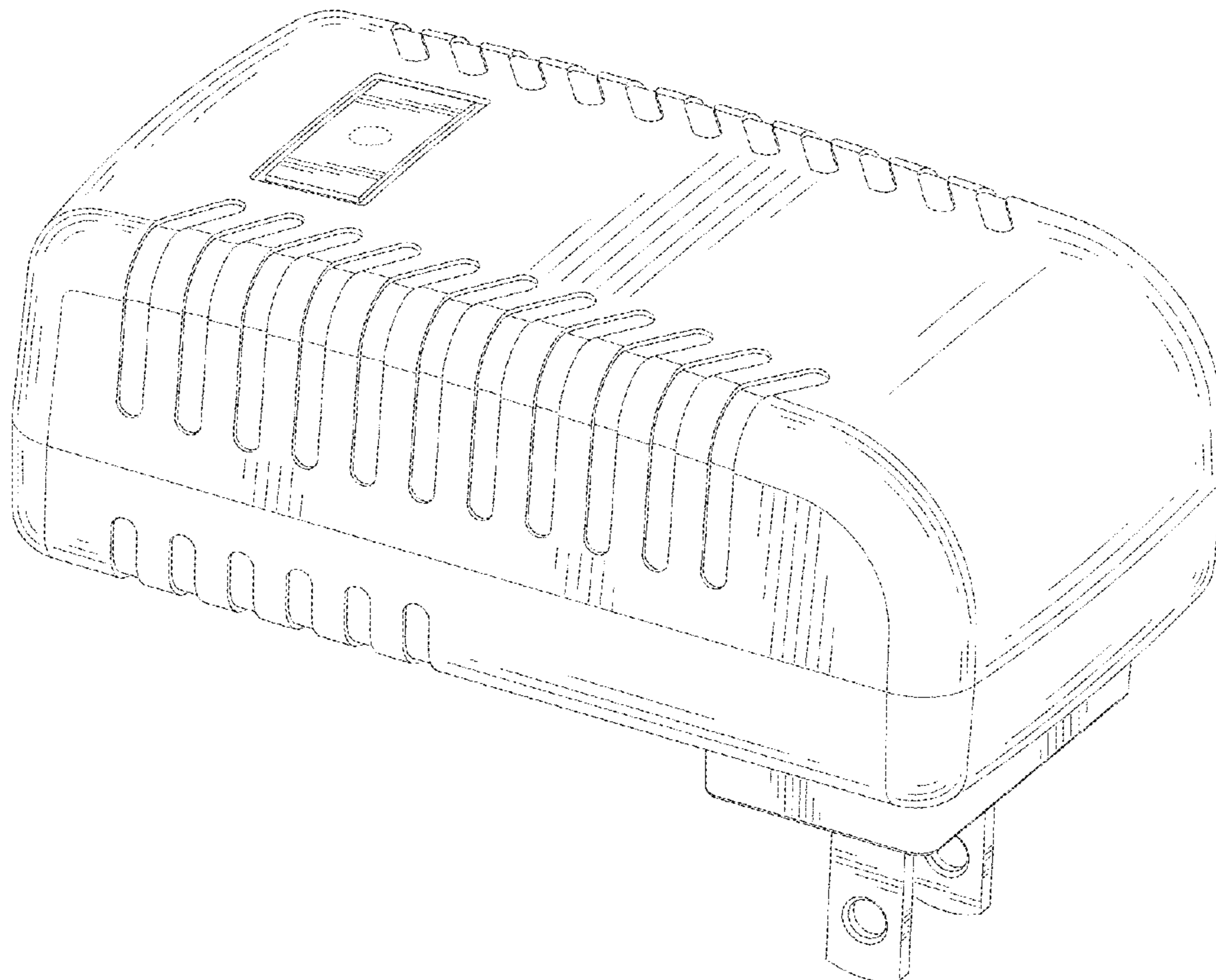
(57) **CLAIM**

The ornamental design for a power adapter, as shown and described.

DESCRIPTION

FIG. 1 is a front perspective view of a power adapter showing my new design;
FIG. 2 is a top view thereof;
FIG. 3 is a bottom view thereof;
FIG. 4 is a rear view thereof;
FIG. 5 is a front view thereof;
FIG. 6 is a right view thereof;
FIG. 7 is a left view thereof; and,
FIG. 8 is a rear perspective view thereof.
The broken lines in the drawings are included for the purpose of illustrating environmental structure and forms no part of the claimed design.

1 Claim, 8 Drawing Sheets



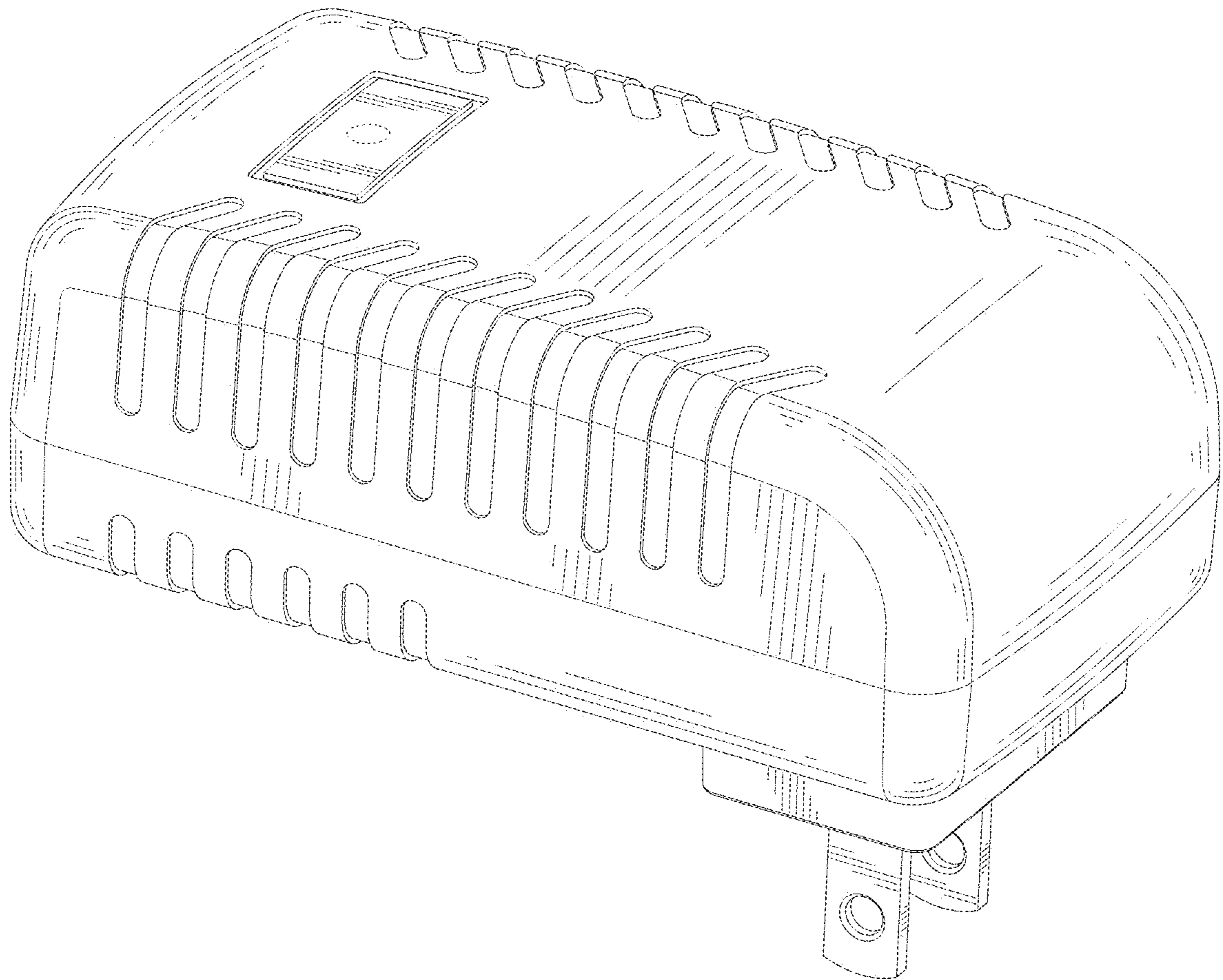


FIG.1

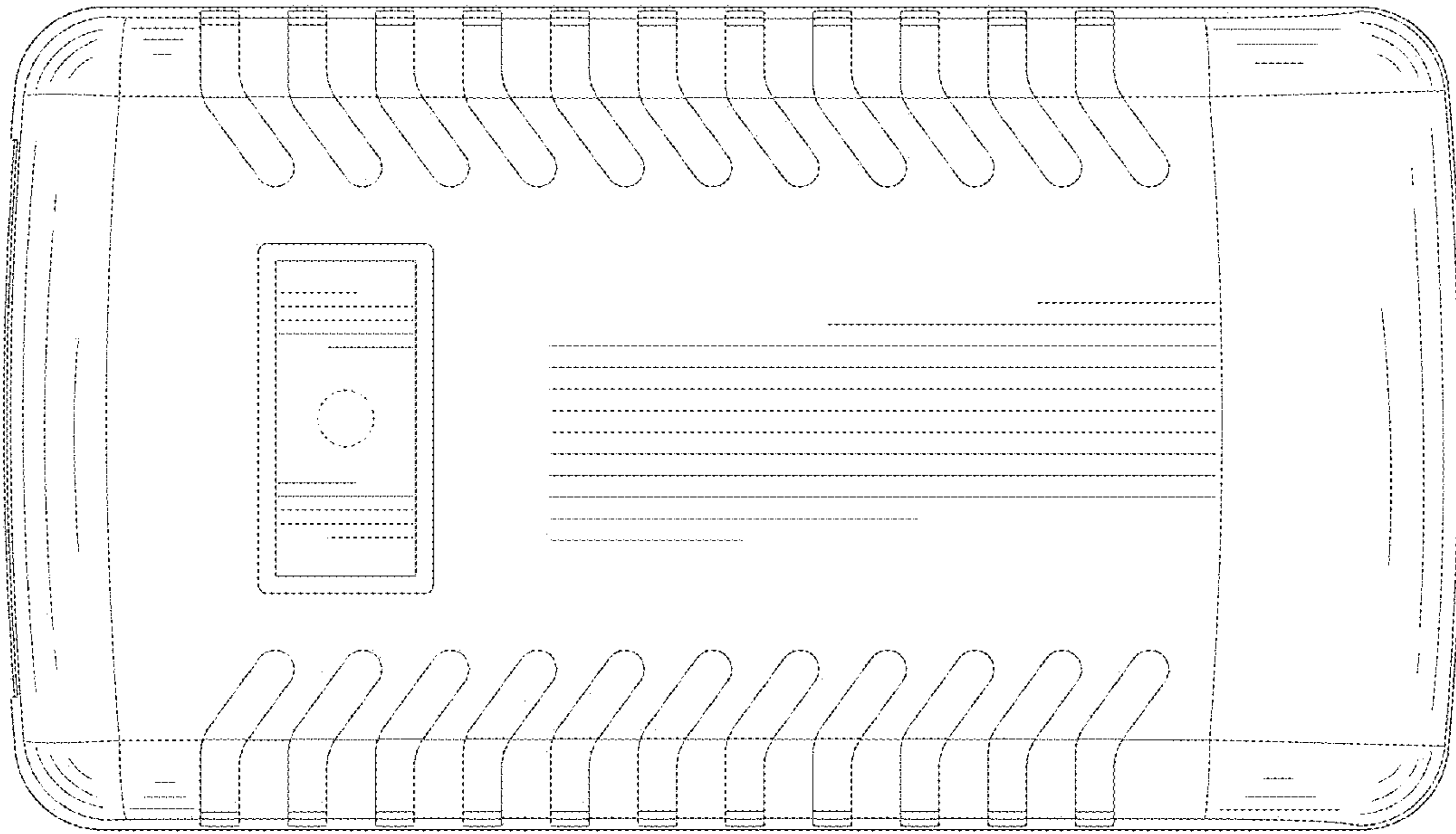


FIG.2

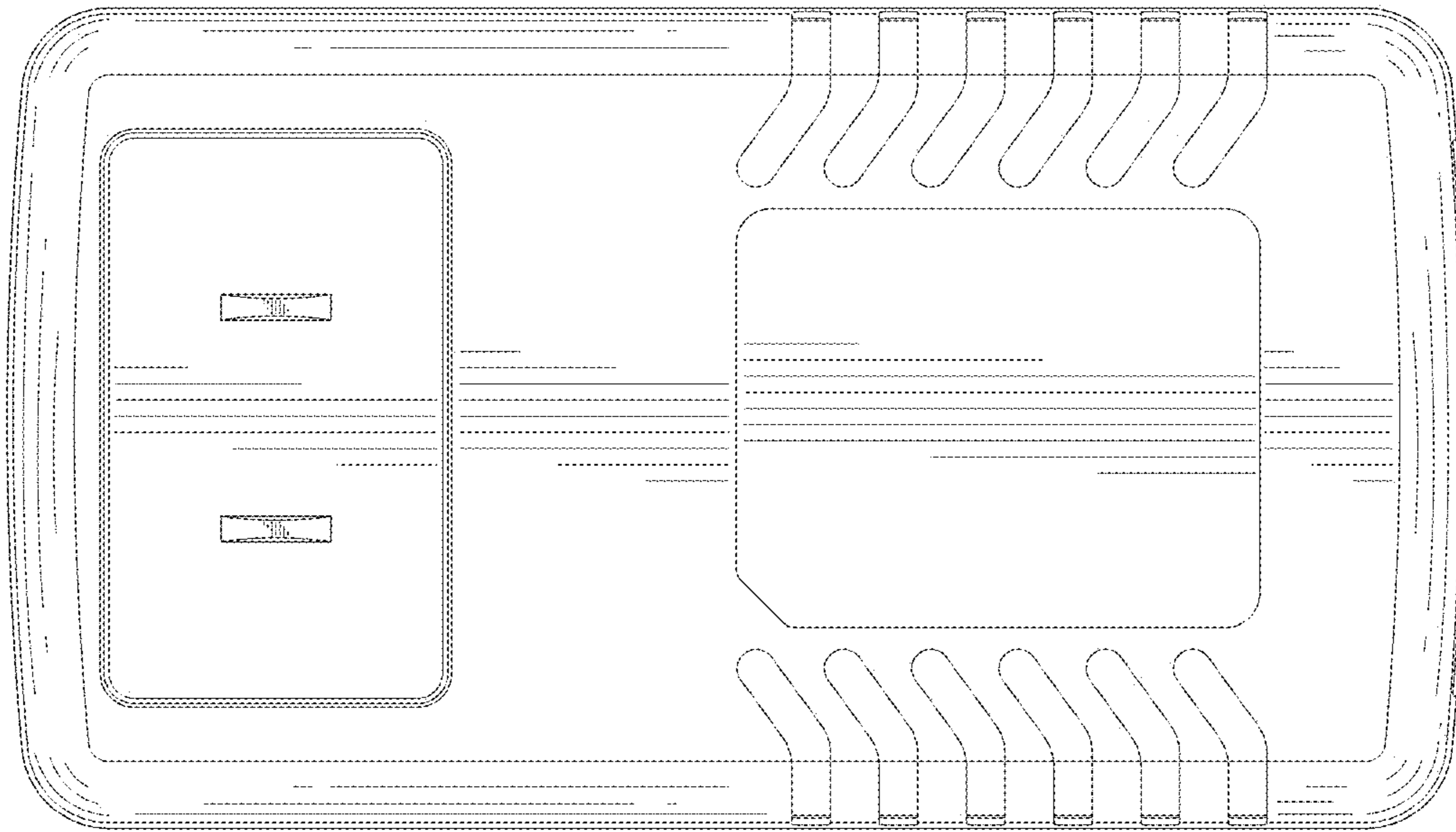


FIG.3

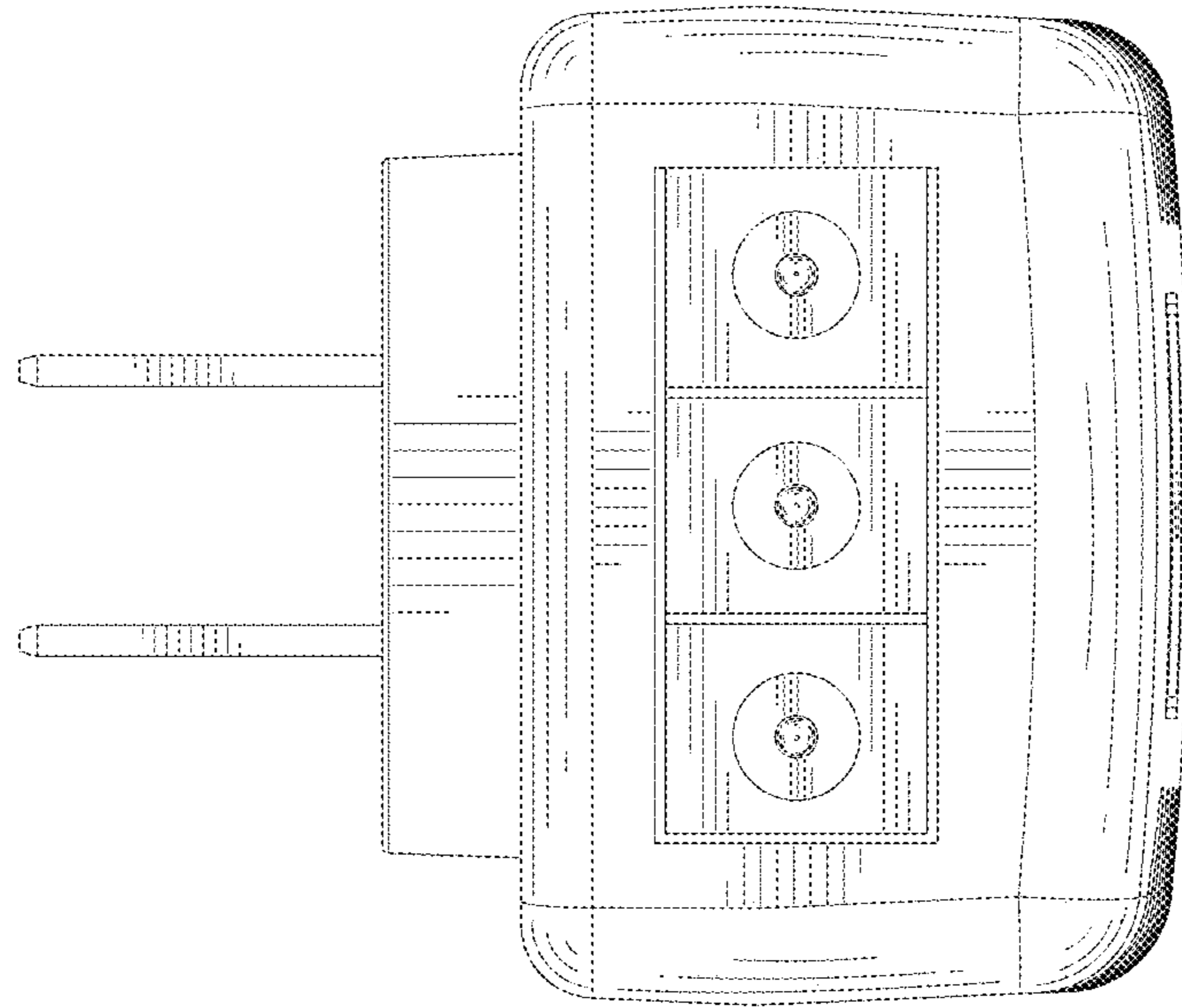


FIG.4

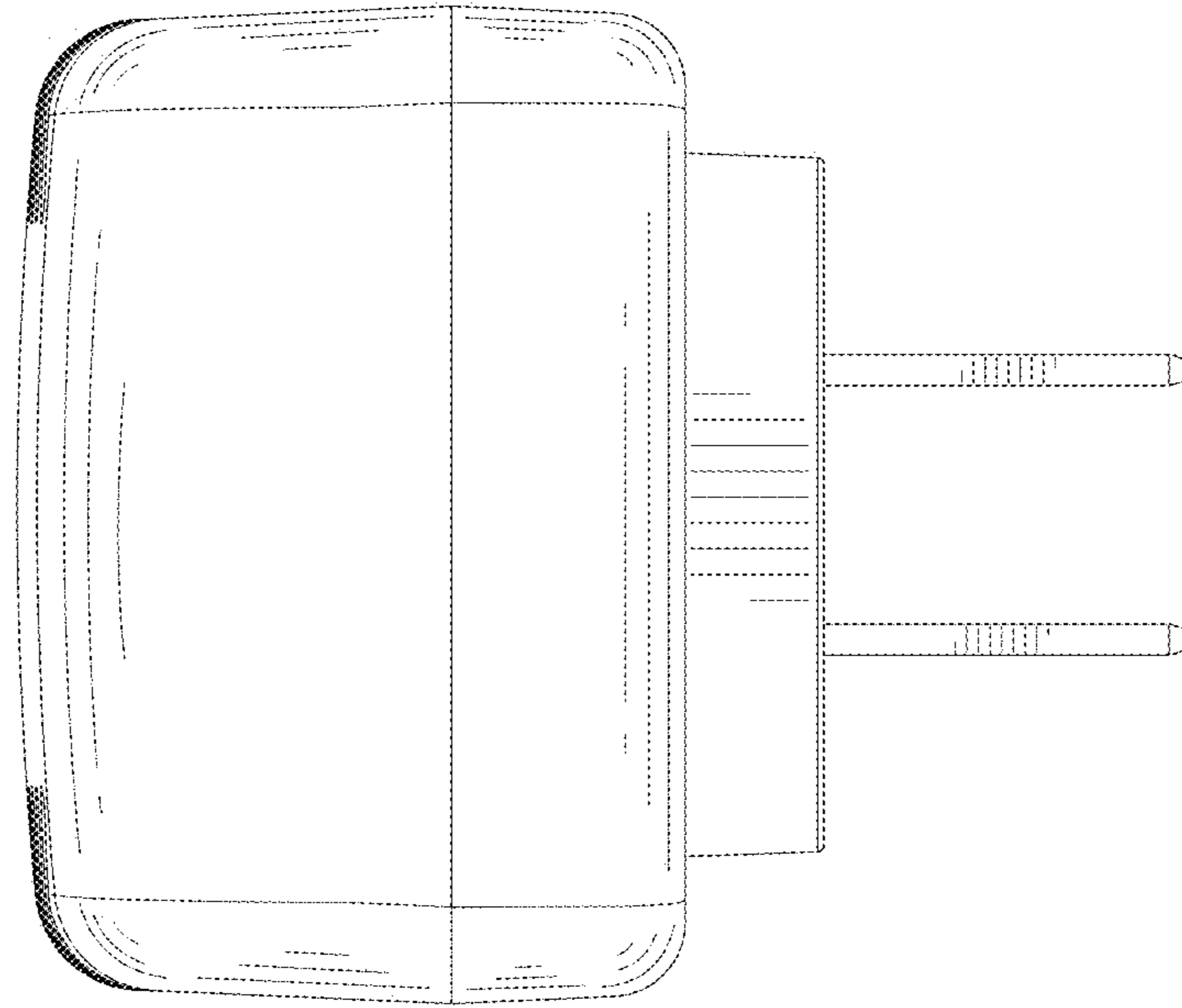


FIG.5

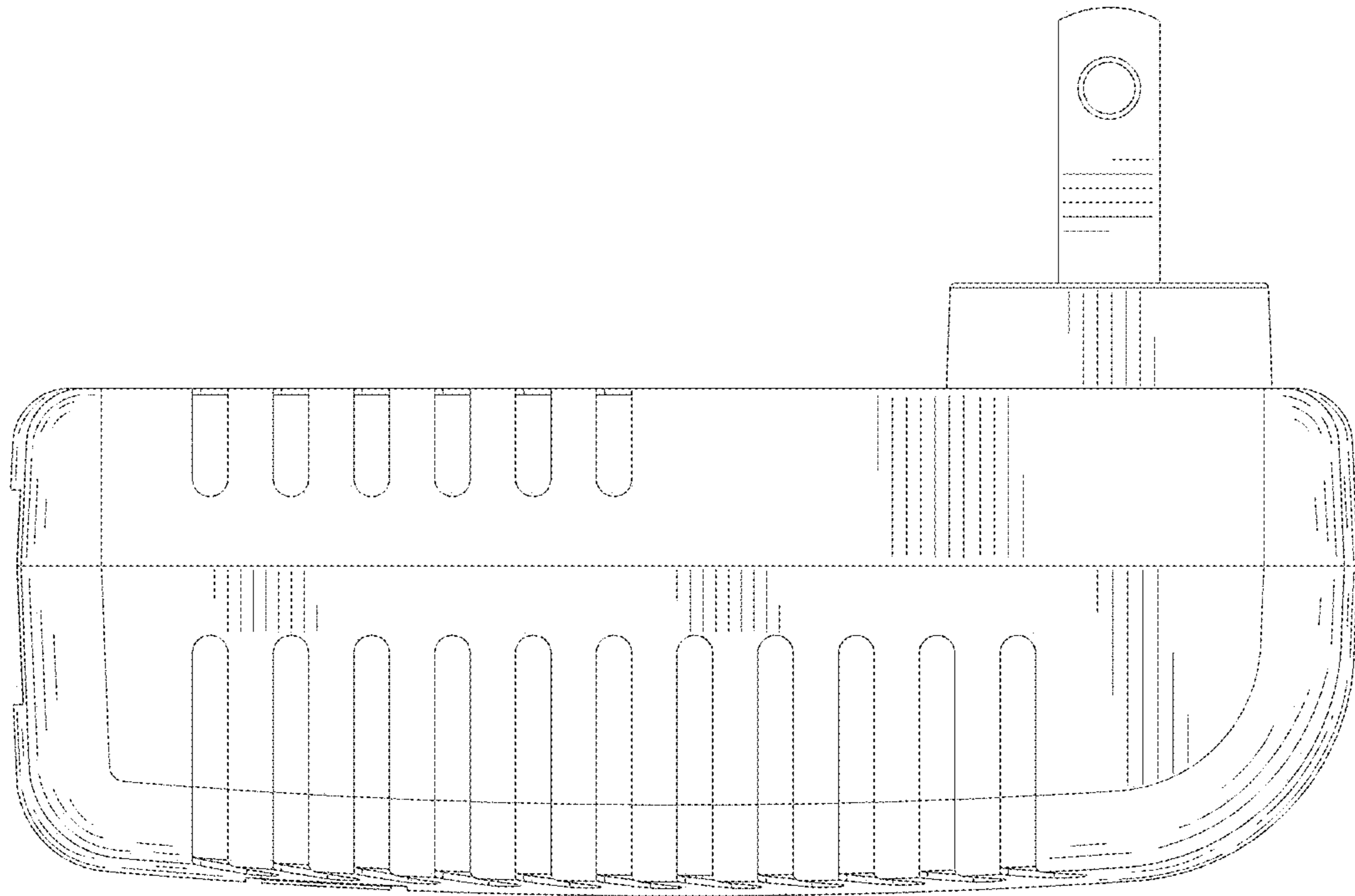


FIG.6

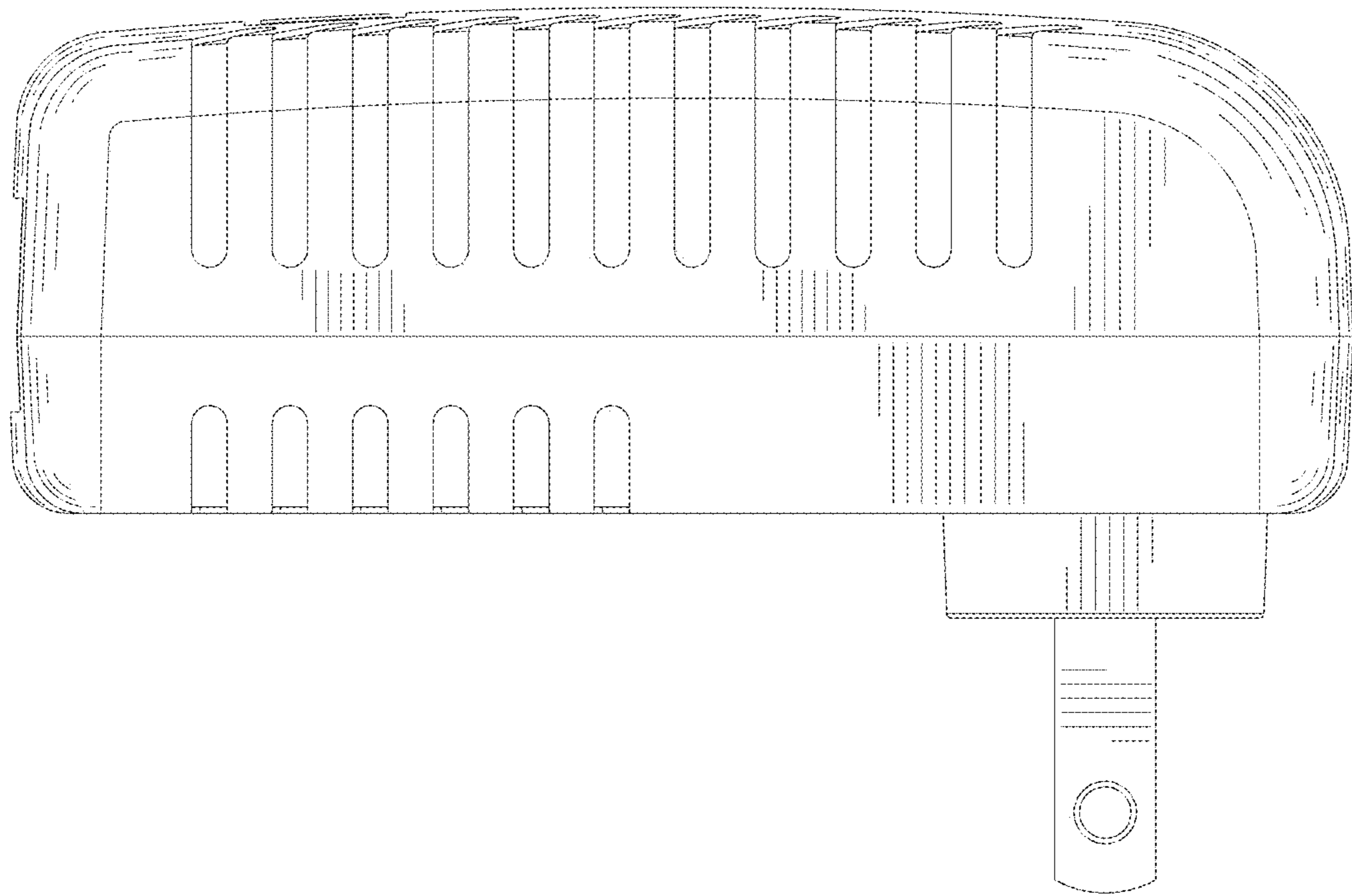


FIG.7

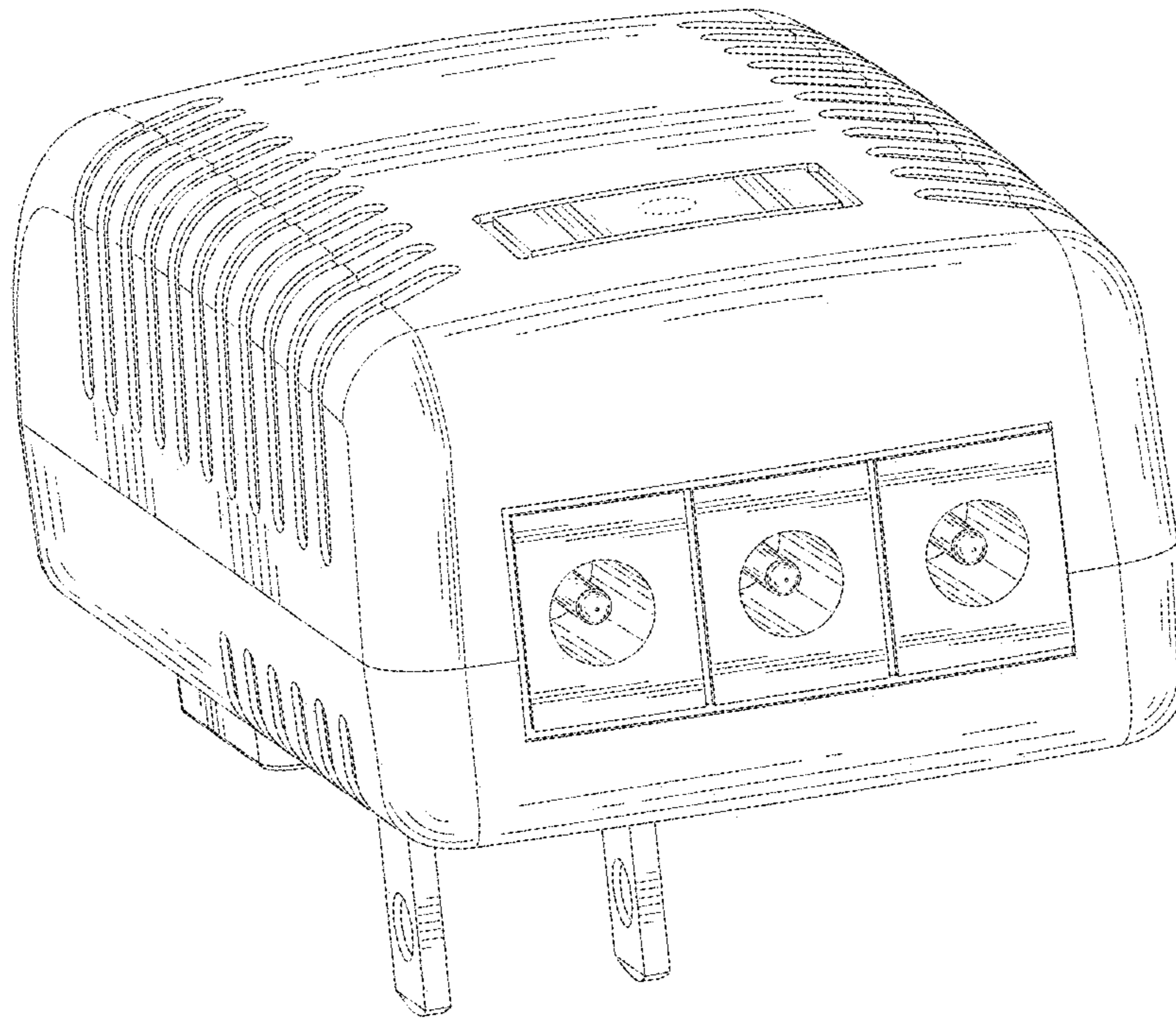


FIG.8