



US00D978796S

(12) **United States Design Patent** (10) **Patent No.:** **US D978,796 S**
Wang (45) **Date of Patent:** **** Feb. 21, 2023**

(54) **POWER ADAPTER**

(71) Applicant: **Shenzhen XinTaide Technology Co., Ltd**, Shenzhen (CN)

(72) Inventor: **Qiang Wang**, Shenzhen (CN)

(73) Assignee: **Shenzhen XinTaide Technology Co., Ltd**, Shenzhen (CN)

(**) Term: **15 Years**

(21) Appl. No.: **29/784,149**

(22) Filed: **May 18, 2021**

(51) **LOC (14) Cl.** **13-02**

(52) **U.S. Cl.**
USPC **D13/110**

(58) **Field of Classification Search**
USPC D13/110, 101, 107, 108, 118, 133,
D13/137.1-137.4, 138.1, 138.2, 139.1,
D13/146, 184, 199; D14/433
CPC H01R 4/66; H01R 13/44; H01R 13/4534;
H01R 13/639; H01R 13/6633; H01R
27/00; H01R 27/02; H01R 29/00; H01R
31/06; H02M 1/10; Y10S 439/911
See application file for complete search history.

(56) **References Cited**

U.S. PATENT DOCUMENTS

- 8,113,855 B2 * 2/2012 Green H01R 13/6675
439/131
- 8,215,974 B2 * 7/2012 Lau H01R 31/06
439/528
- 8,226,424 B1 * 7/2012 Wang H01R 31/06
439/172
- D709,032 S * 7/2014 Akana D13/147
- D719,092 S * 12/2014 Huang D13/110
- D731,969 S * 6/2015 Ackloo D13/110
- D790,465 S * 6/2017 Zhao D13/110

- D808,337 S * 1/2018 Roberts D13/110
- D819,566 S * 6/2018 Hung D13/110
- 2011/0210699 A1 * 9/2011 Wu H02J 7/0042
320/111

* cited by examiner

Primary Examiner — Derrick E Holland
(74) *Attorney, Agent, or Firm* — Xuan Zhang

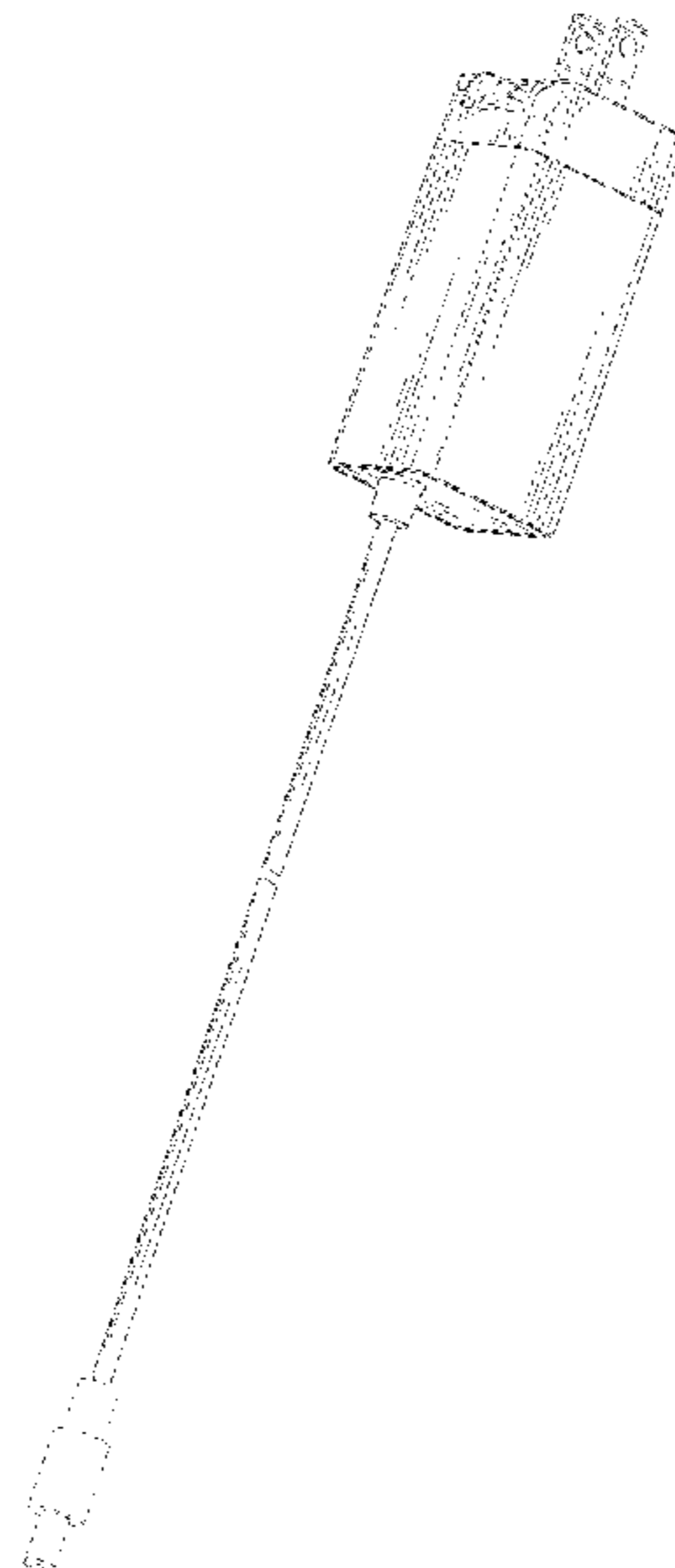
(57) **CLAIM**

The ornamental design for a power adapter, as shown and described.

DESCRIPTION

FIG. 1 is a bottom perspective view of a power adapter showing my new design, showing AC prongs of the power adapter being unfolded in a usage position;
 FIG. 2 is a front view thereof;
 FIG. 3 is a rear view thereof;
 FIG. 4 is a left view thereof;
 FIG. 5 is a right view thereof;
 FIG. 6 is a top view thereof;
 FIG. 7 is a bottom view thereof;
 FIG. 8 is a top perspective view thereof;
 FIG. 9 is a perspective view thereof, shown in a first environmental use;
 FIG. 10 is a perspective view thereof, shown in a second environmental use;
 FIG. 11 is a perspective view thereof, shown in a third environmental use; and,
 FIG. 12 is a top perspective view thereof, showing the AC prongs of the power adapter being folded in a storage position.
 The power adapter is shown with a symbolic break in its length. The appearance of any portion of the article between the break lines forms no part of the claimed design.
 The broken lines in the drawings are included for the purpose of illustrating environmental structure and forms no part of the claimed design.

1 Claim, 12 Drawing Sheets



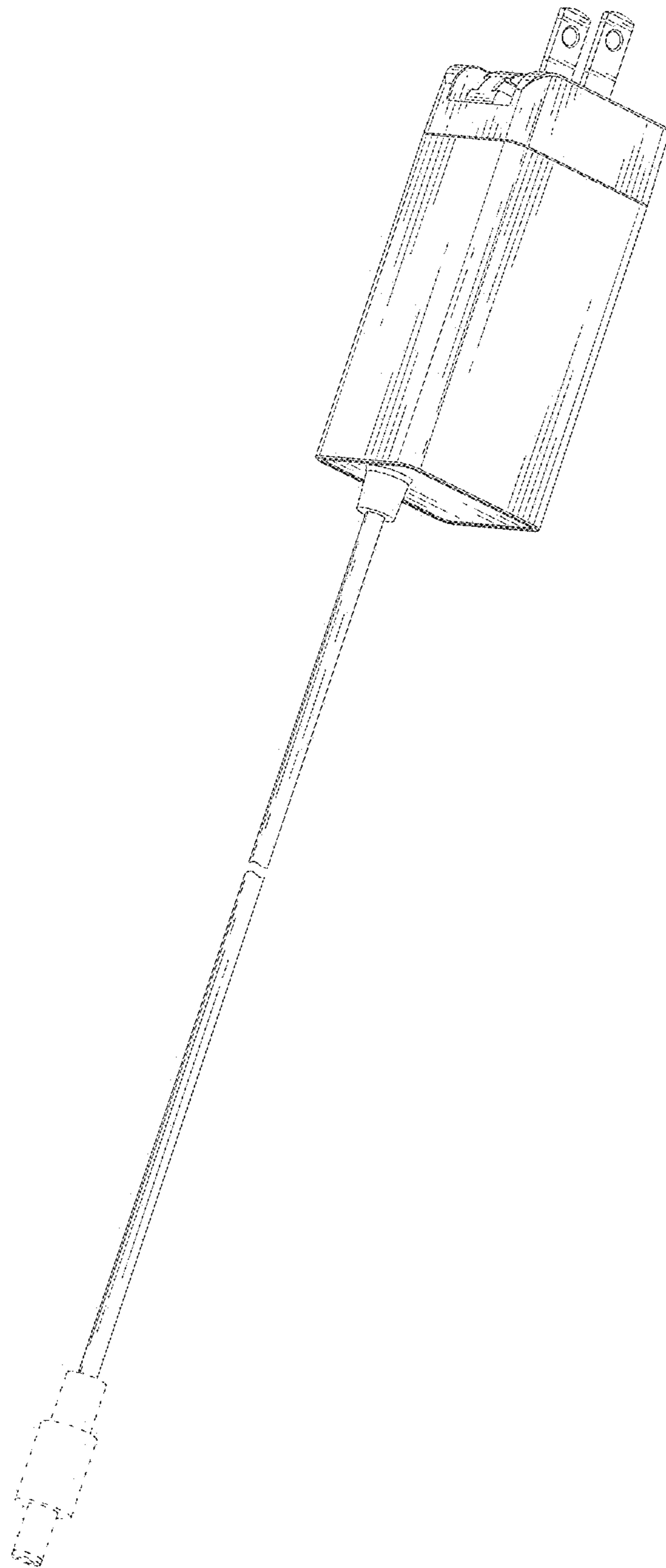


FIG. 1

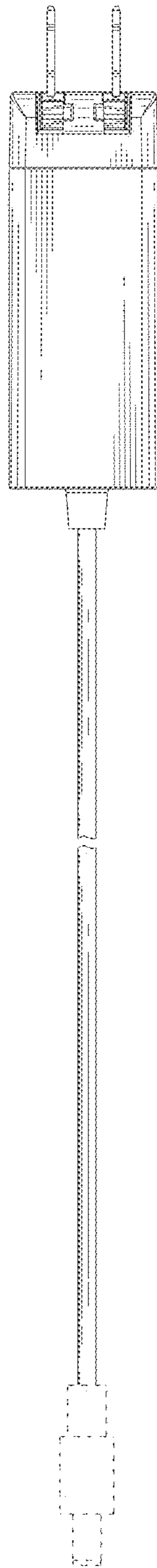


FIG. 2

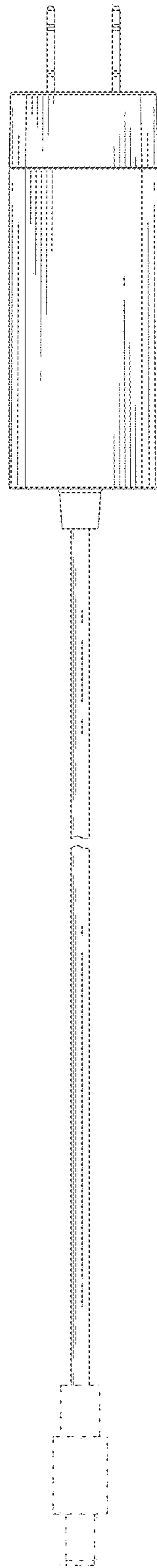


FIG. 3

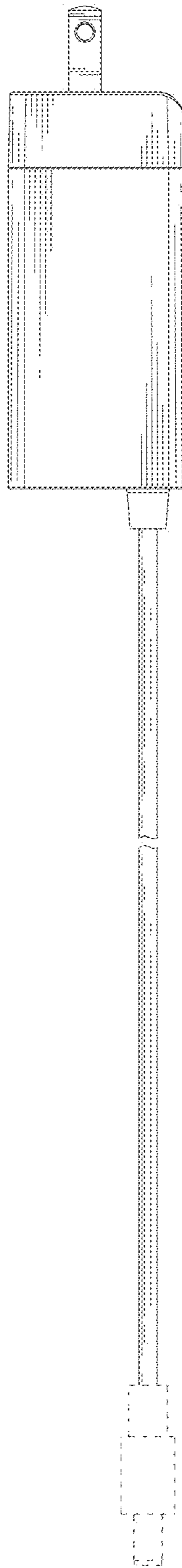


FIG. 4

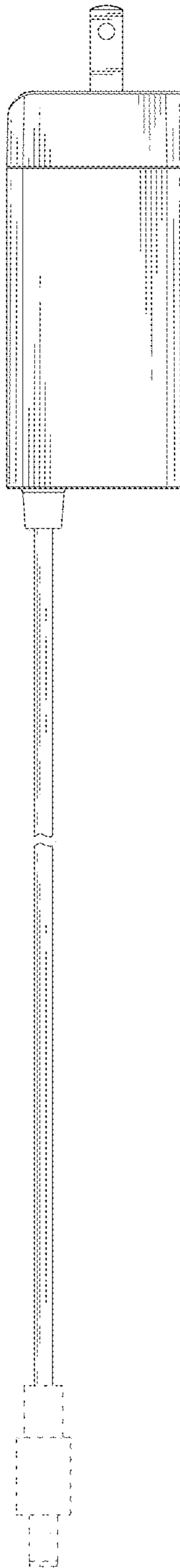


FIG. 5

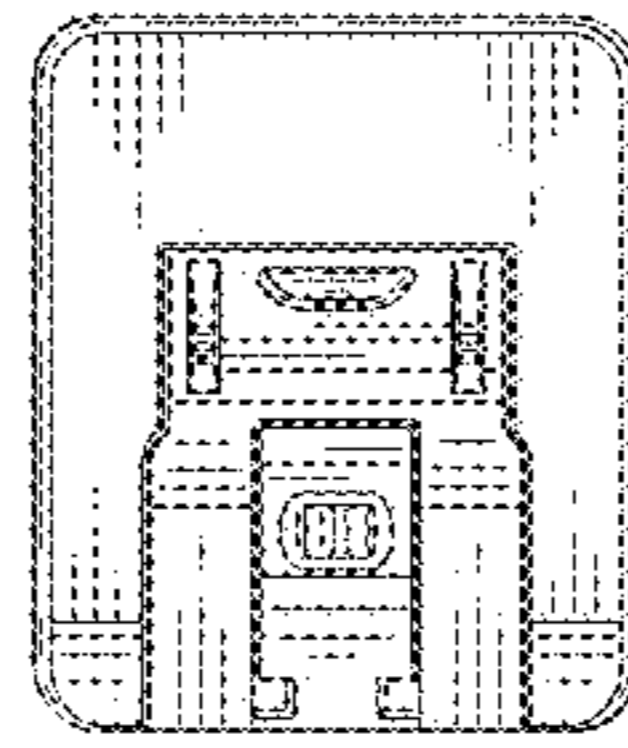


FIG. 6

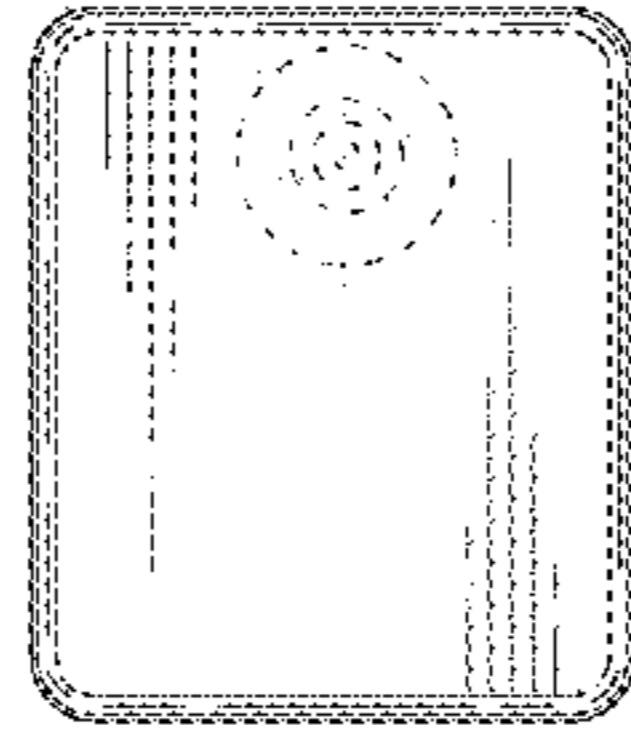


FIG. 7

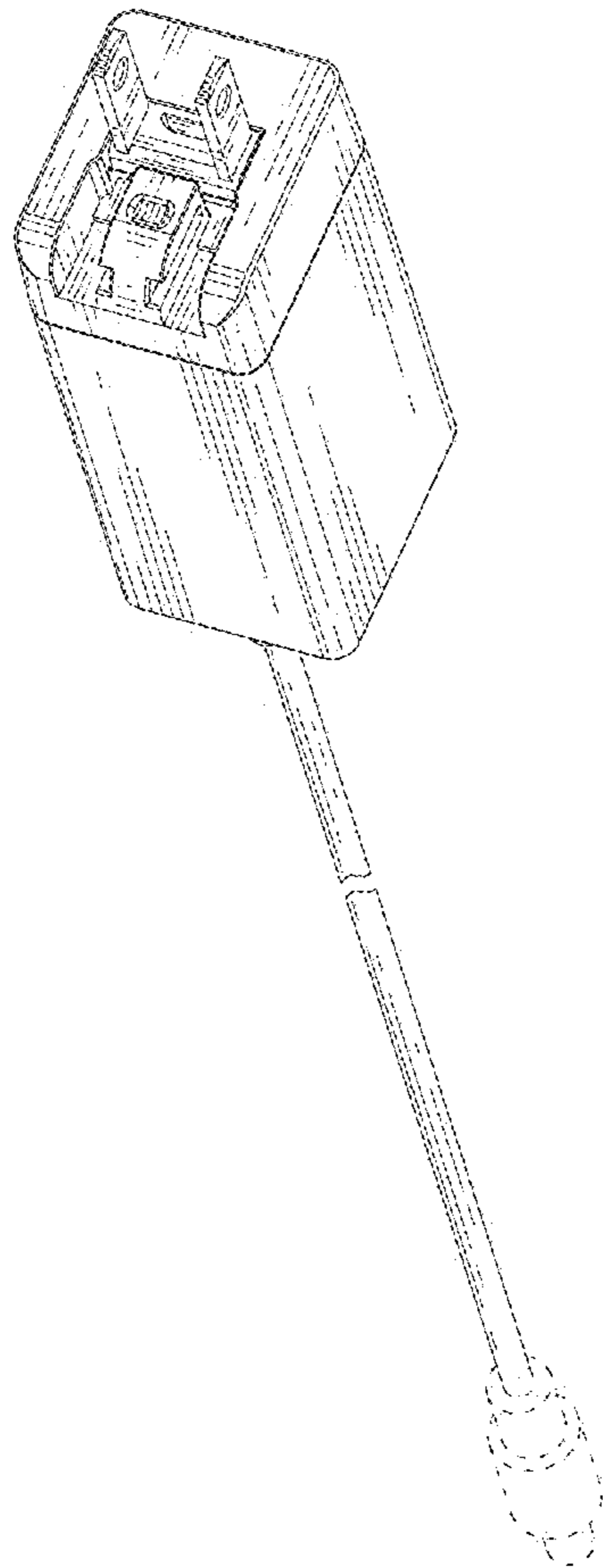


FIG. 8

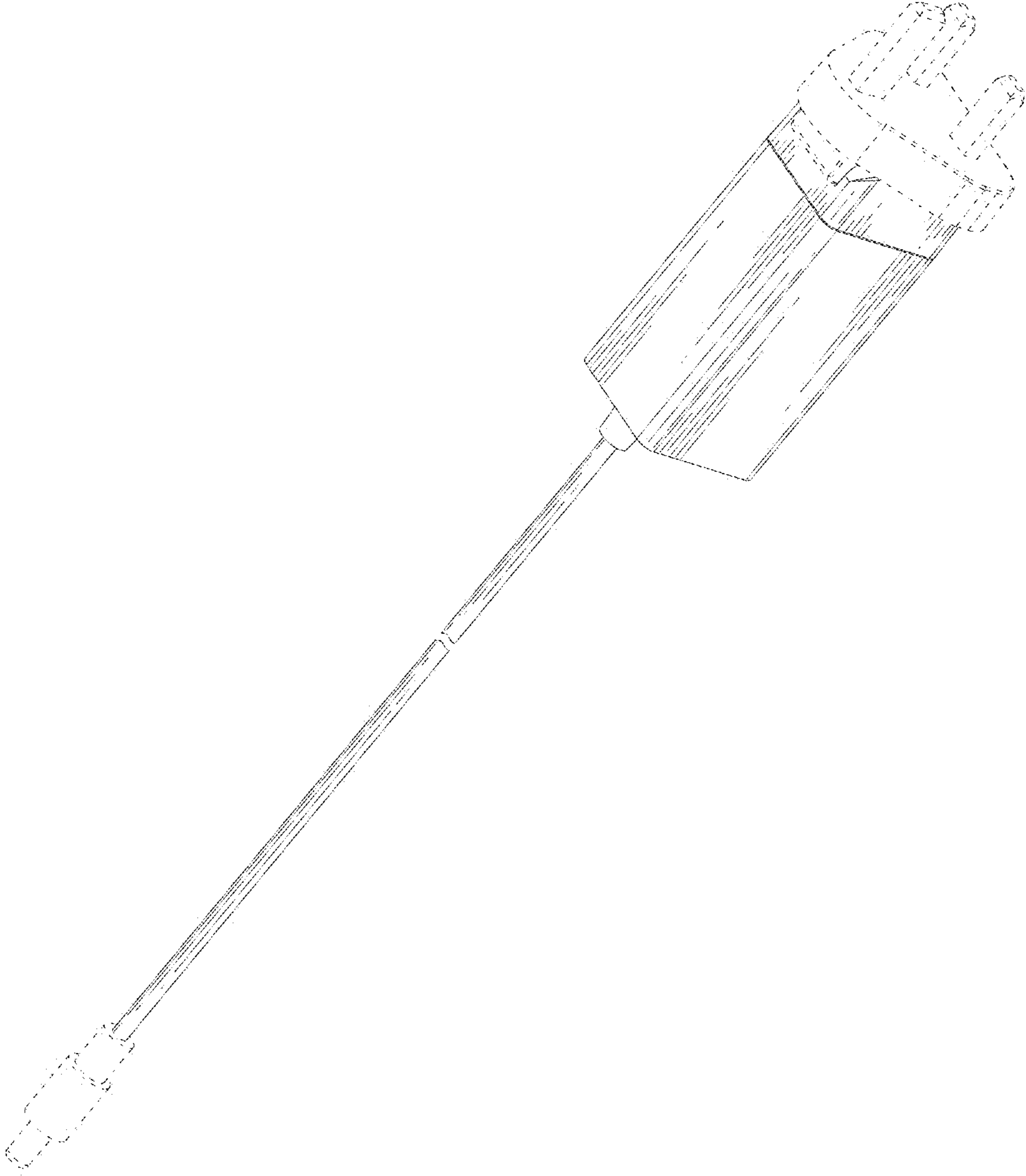


FIG. 9

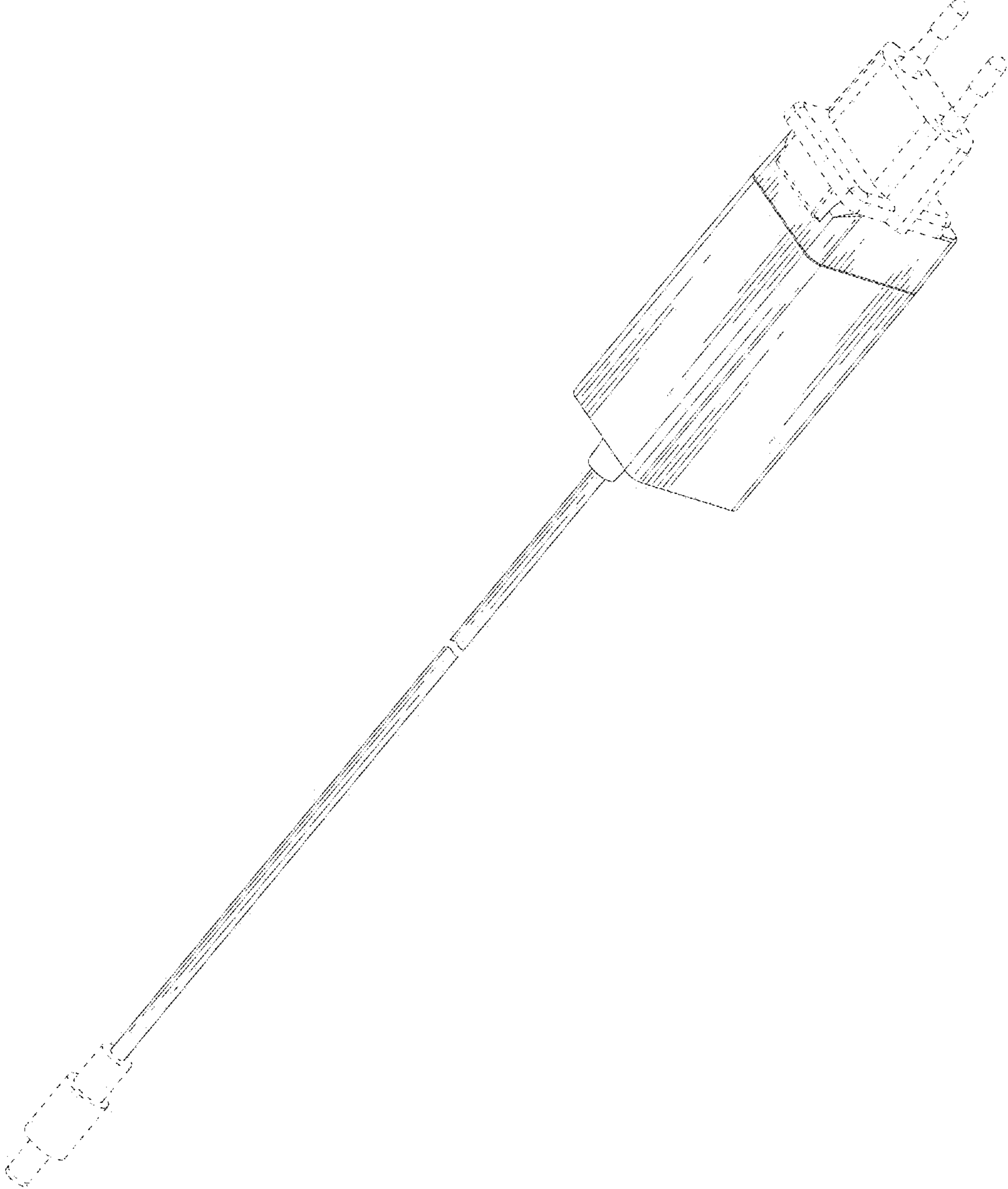


FIG. 10

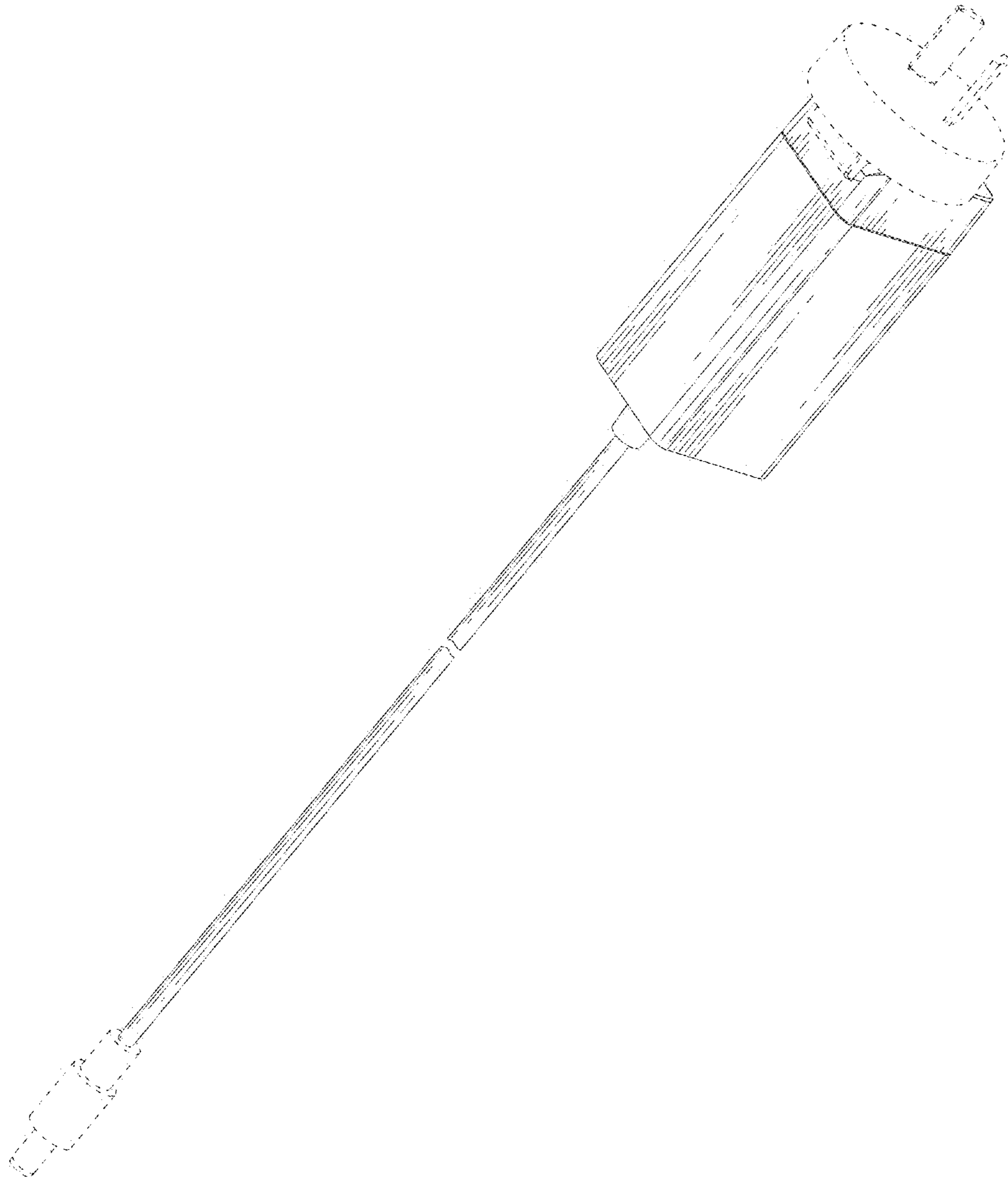


FIG. 11

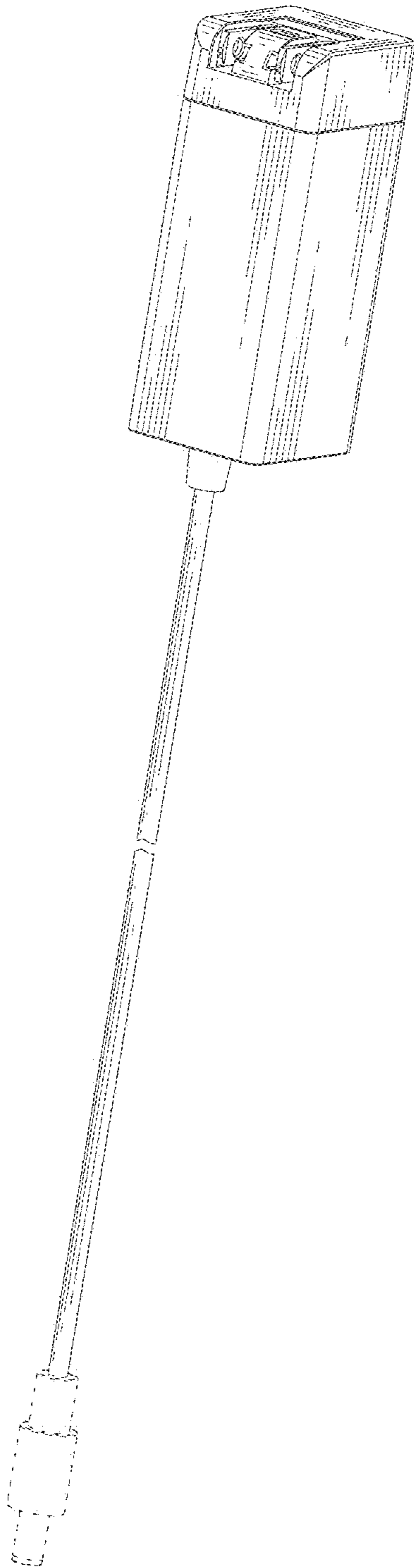


FIG. 12