



US00D978795S

(12) **United States Design Patent** (10) **Patent No.:** **US D978,795 S**
Lin (45) **Date of Patent:** **** Feb. 21, 2023**

(54) **CHARGER HOLDER**

(71) Applicant: **Shenzhen FuXin Industrial Co., Ltd,**
Guangdong (CN)

(72) Inventor: **Shubin Lin,** Guangdong (CN)

(**) Term: **15 Years**

(21) Appl. No.: **29/794,043**

(22) Filed: **Jun. 10, 2021**

(51) **LOC (14) Cl.** **13-02**

(52) **U.S. Cl.**
USPC **D13/108**

(58) **Field of Classification Search**
USPC D13/107–108, 110, 118–119, 184, 199;
D14/251, 253, 432, 434, 447
CPC .. H02J 7/025; H02J 7/005; H02J 50/00; H02J
50/10; H02J 50/12; H02J 50/80; H02J
7/02; H02J 7/0026; H02J 7/0042; H02J
7/0044; H02J 7/0045; H02J 7/0013; H02J
7/0003

See application file for complete search history.

(56) **References Cited**

U.S. PATENT DOCUMENTS

D813,805 S *	3/2018	Zhong	D13/108
D814,413 S *	4/2018	Zhong	D13/108
D845,308 S *	4/2019	Ma	D14/447
D852,135 S *	6/2019	Mei	D13/108
D857,626 S *	8/2019	Zhang	D13/108
D875,043 S *	2/2020	Yi	D13/108
D875,679 S *	2/2020	Yi	D13/108
D879,035 S *	3/2020	Li	D13/108
D881,123 S *	4/2020	Zhang	D13/108
D886,059 S *	6/2020	Hu	D13/108
D889,403 S *	7/2020	Li	D13/108
D892,046 S *	8/2020	Peng	D13/108
D904,978 S *	12/2020	Liao	D13/108
D905,042 S *	12/2020	Lim	D14/434
D911,278 S *	2/2021	Shang	D13/108
D915,277 S *	4/2021	Peng	D13/108

D926,683 S *	8/2021	Liao	D14/252
D926,685 S *	8/2021	Fan	D13/108
D927,233 S *	8/2021	Lee	D6/682
D928,702 S *	8/2021	Liao	D13/108
D931,208 S *	9/2021	Liao	D14/252
D933,005 S *	10/2021	Yarbough	D13/108
D933,594 S *	10/2021	Zhang	D13/108
D934,794 S *	11/2021	Brisebras	D13/108
D937,280 S *	11/2021	Lee	D14/447

(Continued)

OTHER PUBLICATIONS

“WAITIEE Wireless Charger—3 in 1 15W Fast Charging Station for iPhone 13/12 /11 Series/XS/Max/XR/XS/X/8 Plus/Samsung Galaxy and iWatch SE/6/5/4/3/2 & AirPods 2 / Pro(No Watch Charging Cable)”, Amazon.com, first available on Jul. 16, 2020. Retrieved from the internet: <<https://www.amazon.com/dp/B08D34L2F8/?th=1>>(Year: 2020).*

Primary Examiner — Rosemary K Tarcza
(74) *Attorney, Agent, or Firm* — Prakash Nama; Global IP Services, PLLC

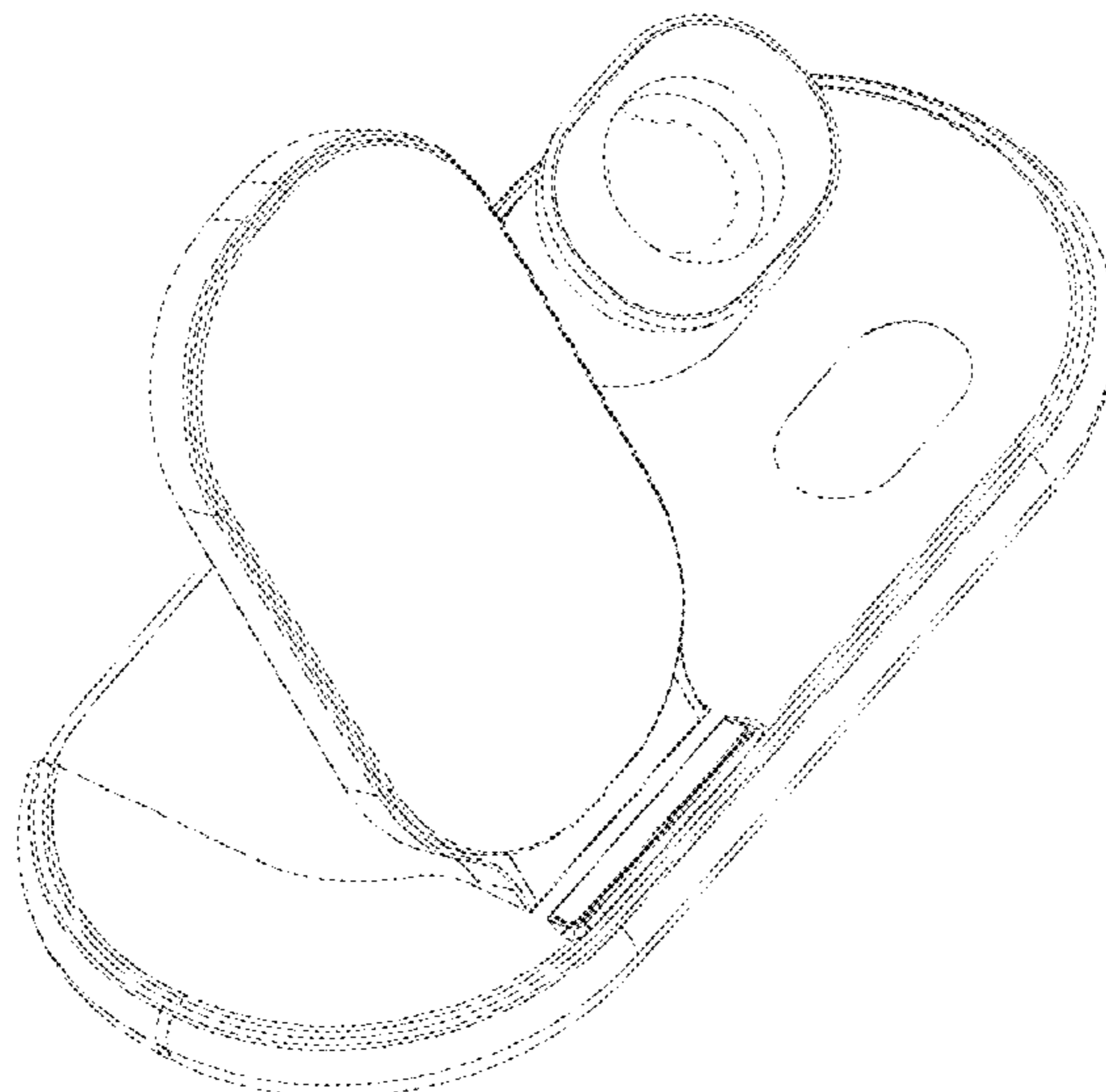
(57) **CLAIM**

The ornamental design for a charger holder, as shown and described.

DESCRIPTION

FIG. 1 is a front elevational view of a charger holder showing my new design;
FIG. 2 is a rear elevational view thereof;
FIG. 3 is a left side view thereof;
FIG. 4 is a right side view thereof;
FIG. 5 is a top plan view thereof;
FIG. 6 is a bottom plan view thereof;
FIG. 7 is a perspective view thereof;
FIG. 8 is a second perspective view thereof; and,
FIG. 9 is a third perspective view thereof.
The broken lines shown in the drawings illustrate portions of charger holder that form no part of the claimed design.

1 Claim, 9 Drawing Sheets



(56)

References Cited

U.S. PATENT DOCUMENTS

D938,434 S	*	12/2021	Lee	D14/447
D948,426 S	*	4/2022	Liao	D14/252
D952,559 S	*	5/2022	Chen	D13/108
D953,259 S	*	5/2022	Choi	D13/108
D955,332 S	*	6/2022	Wang	D13/108

* cited by examiner

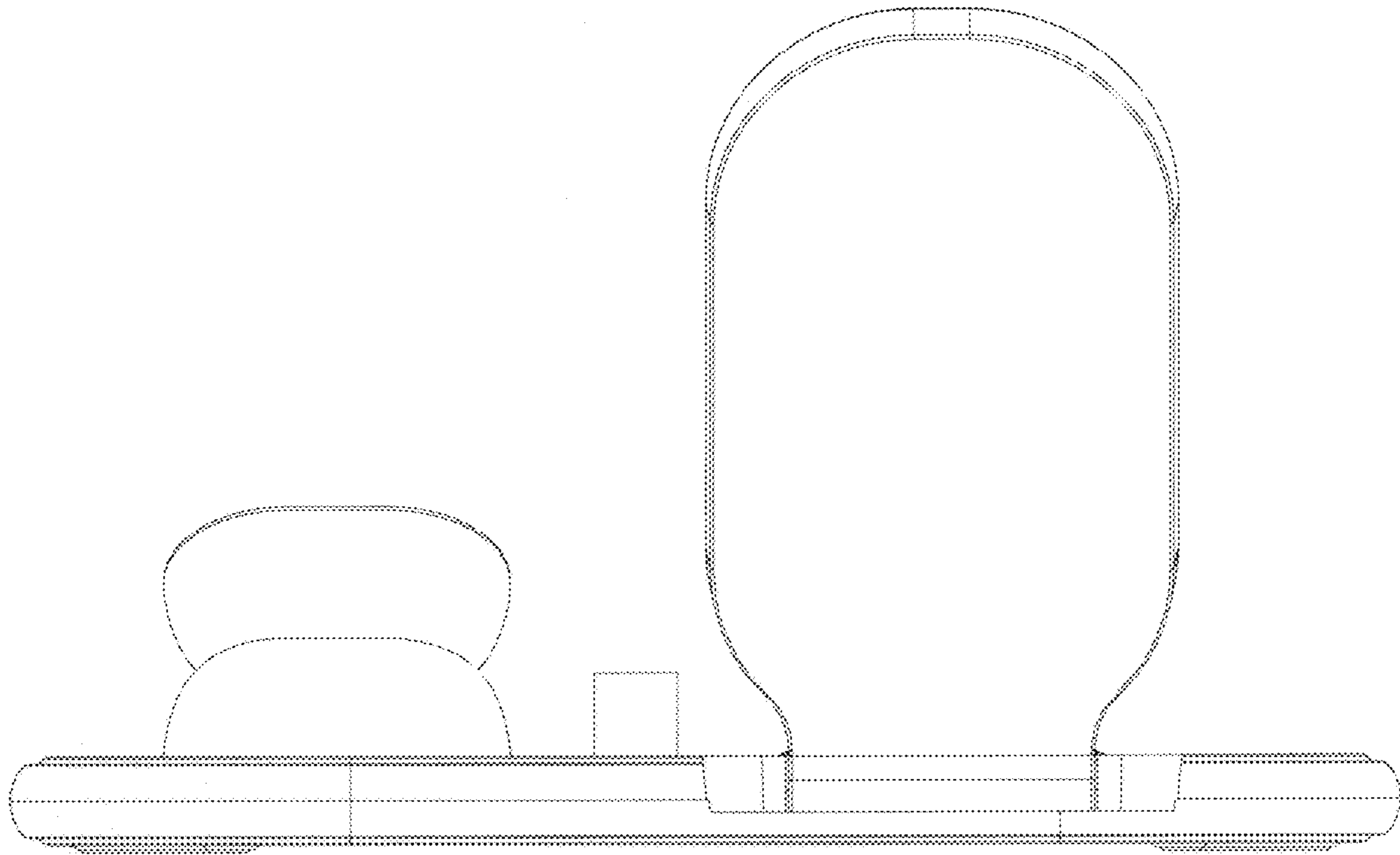


FIG.1

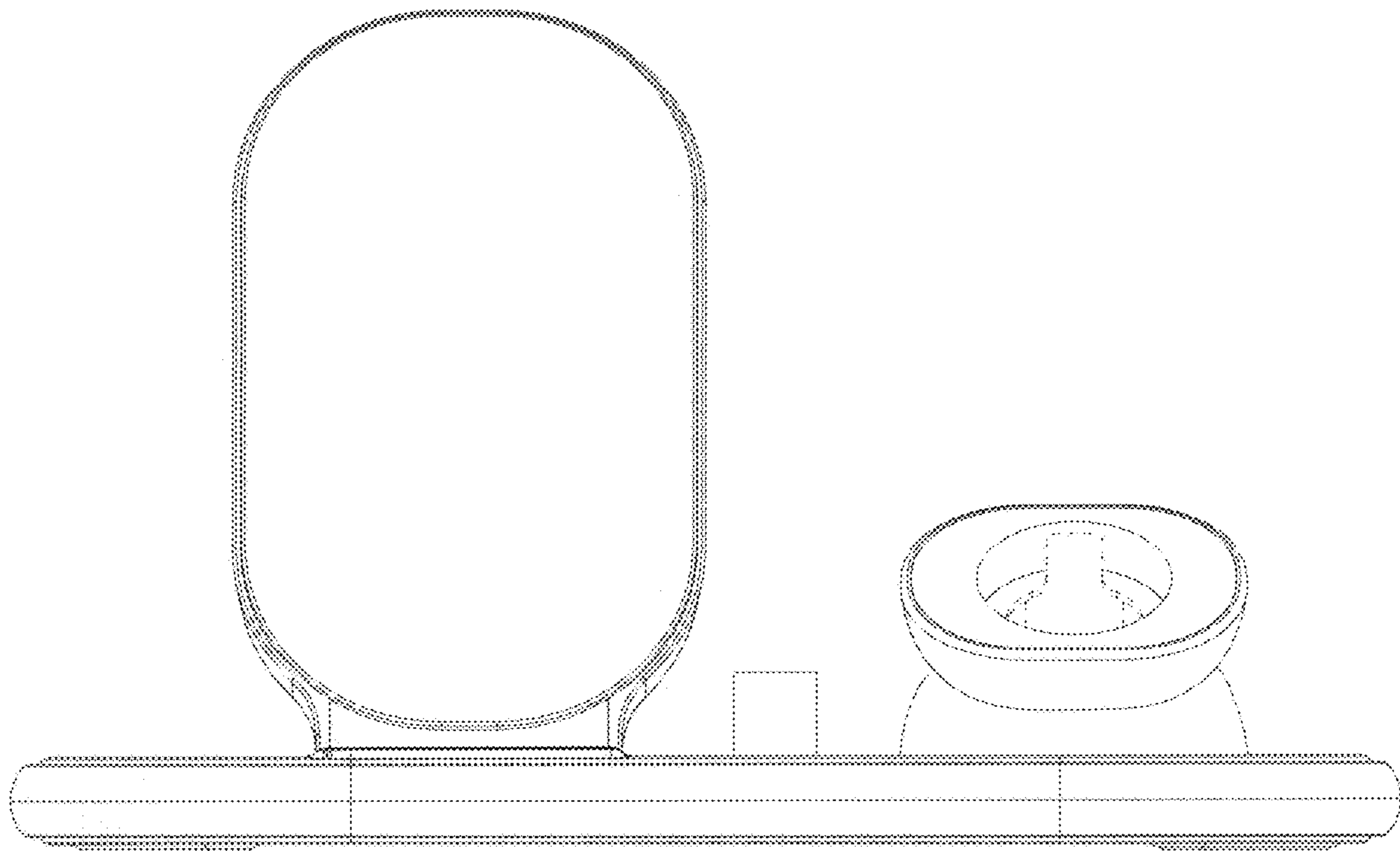


FIG.2

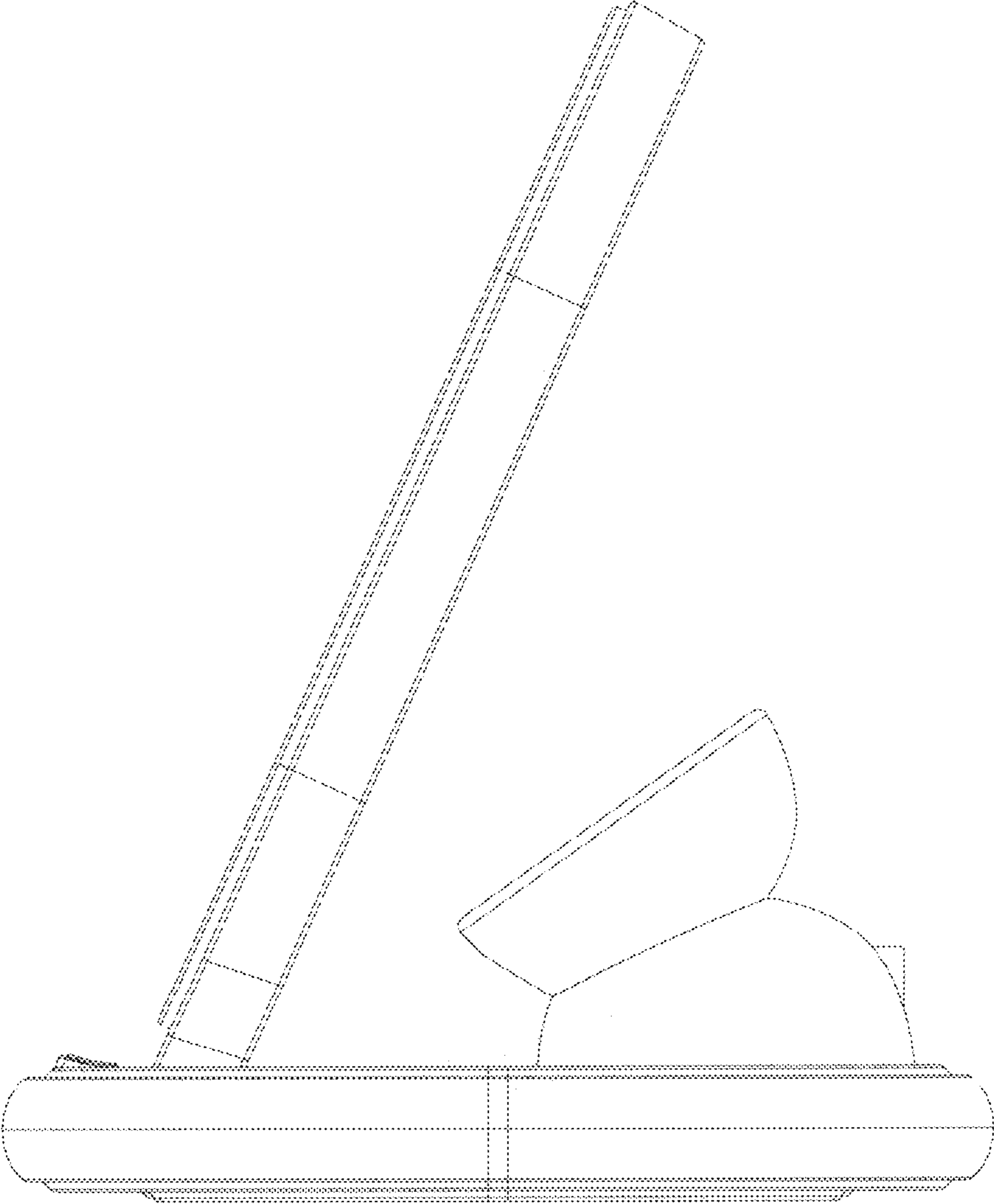


FIG.3

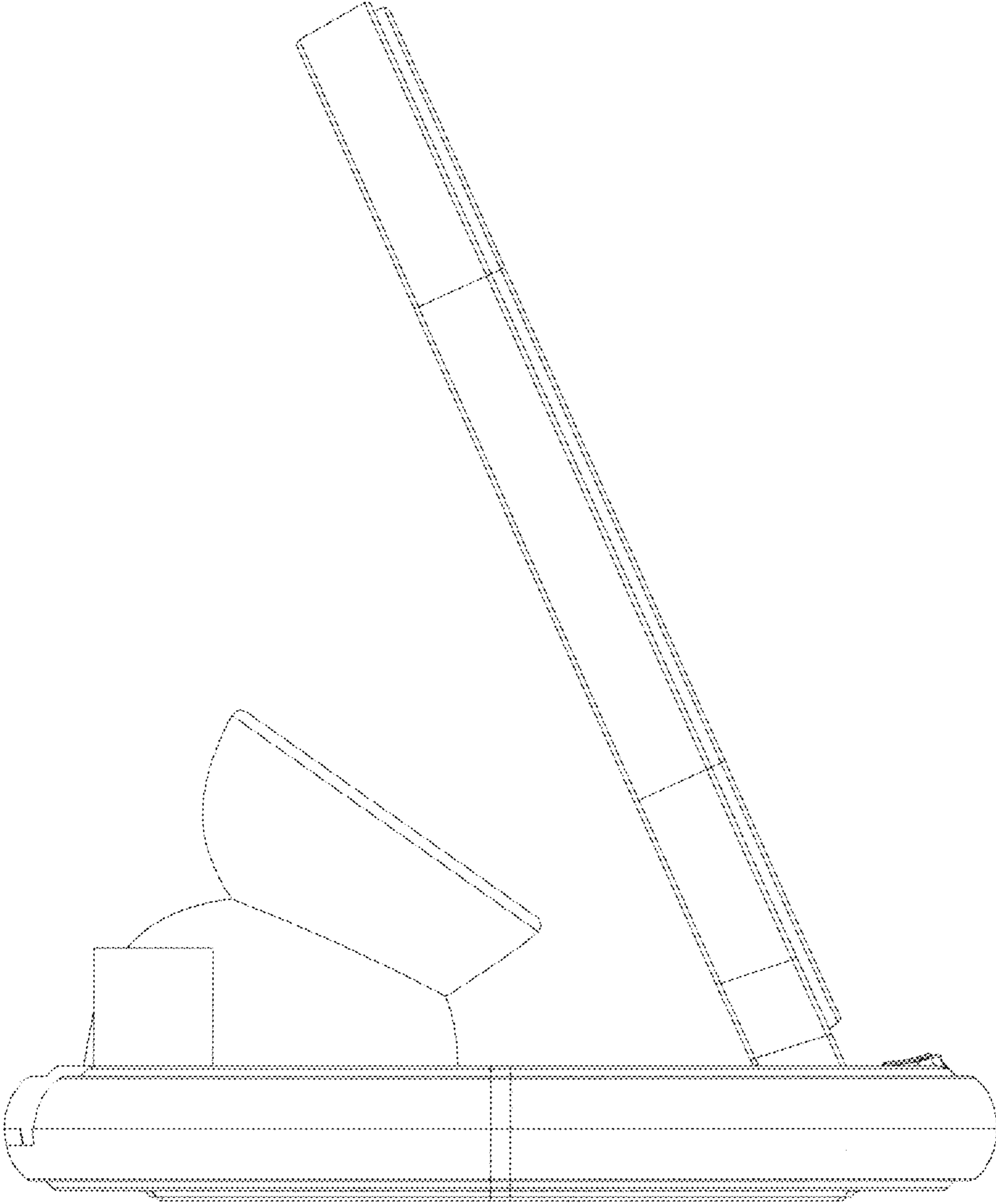


FIG. 4

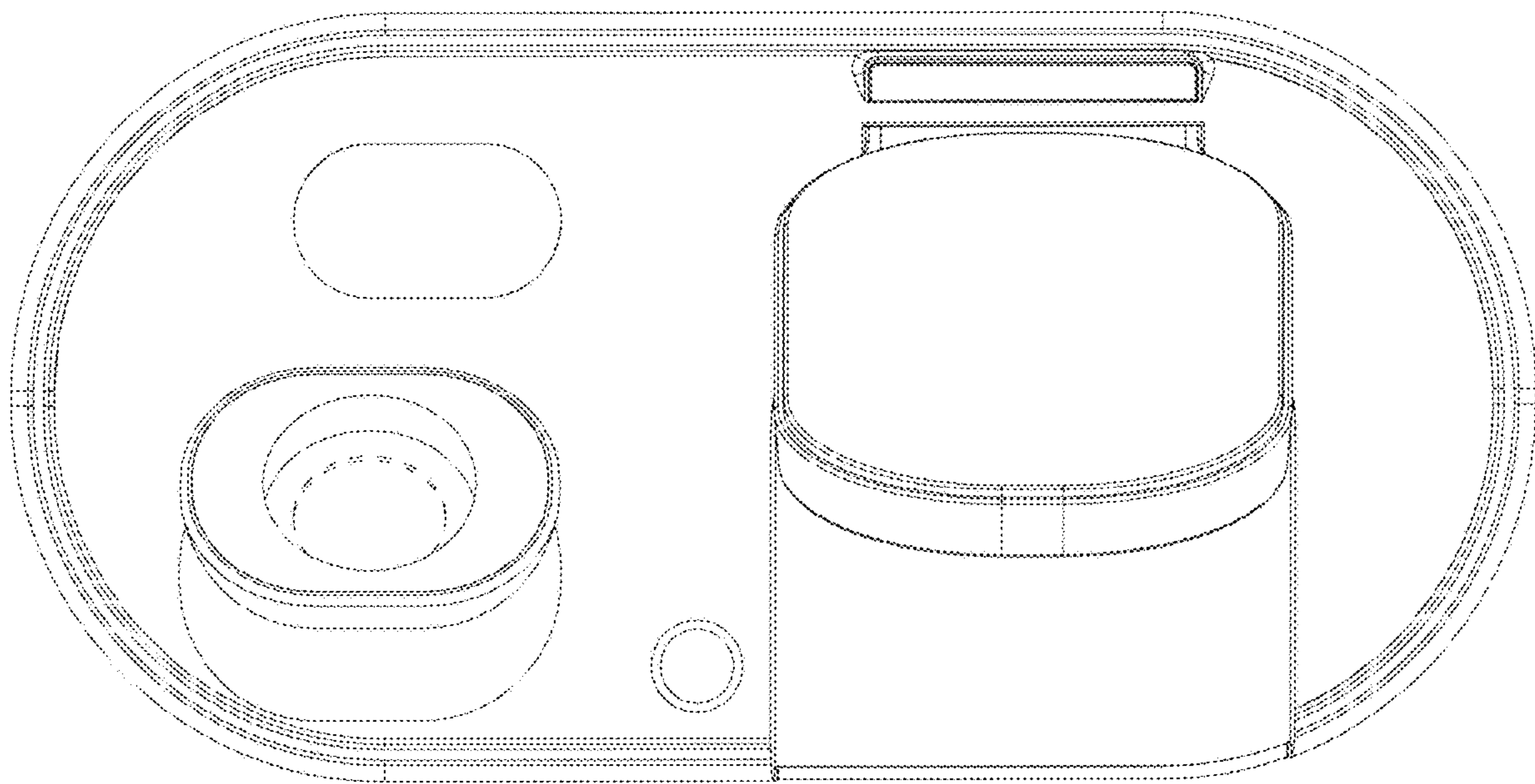


FIG. 5

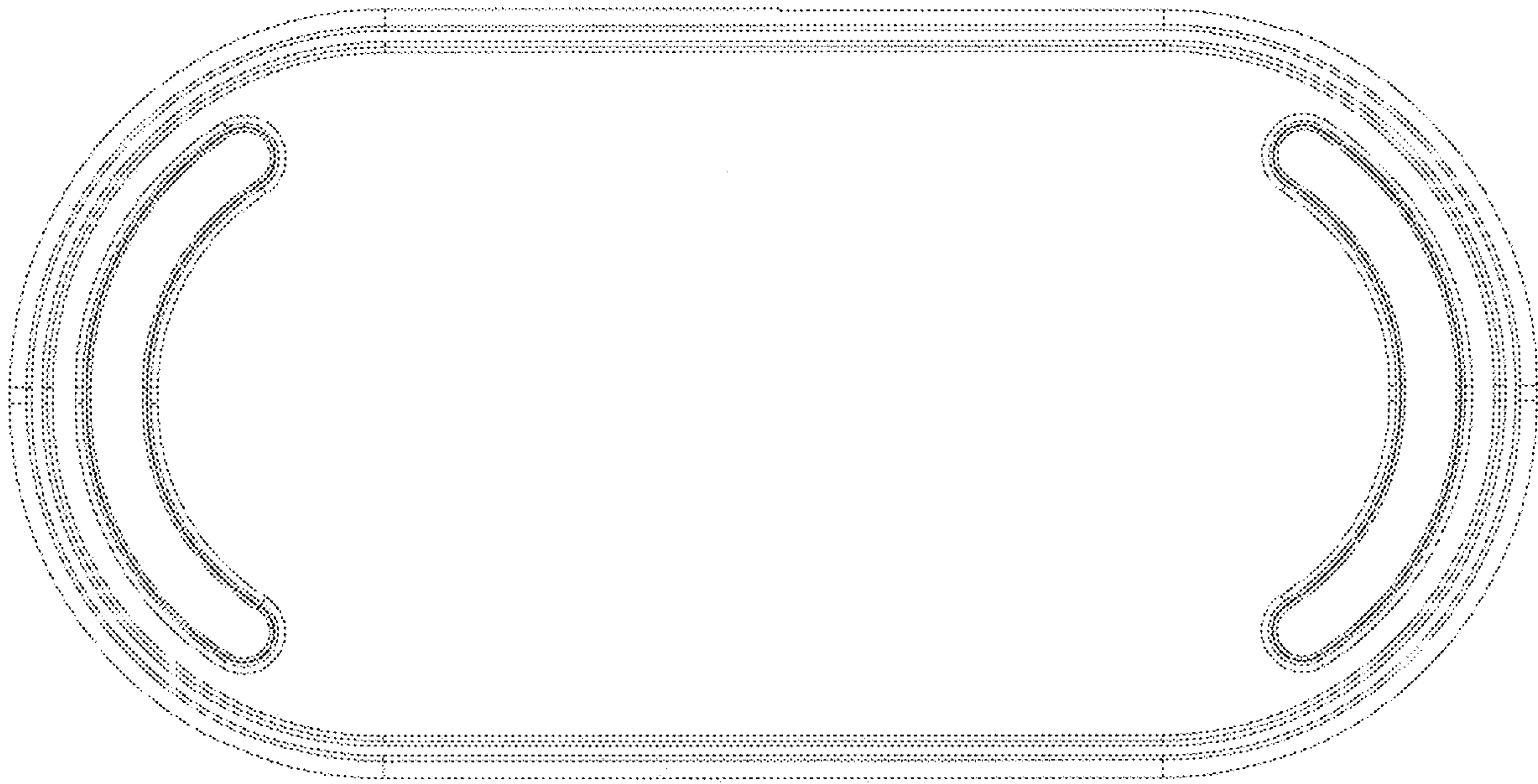


FIG.6

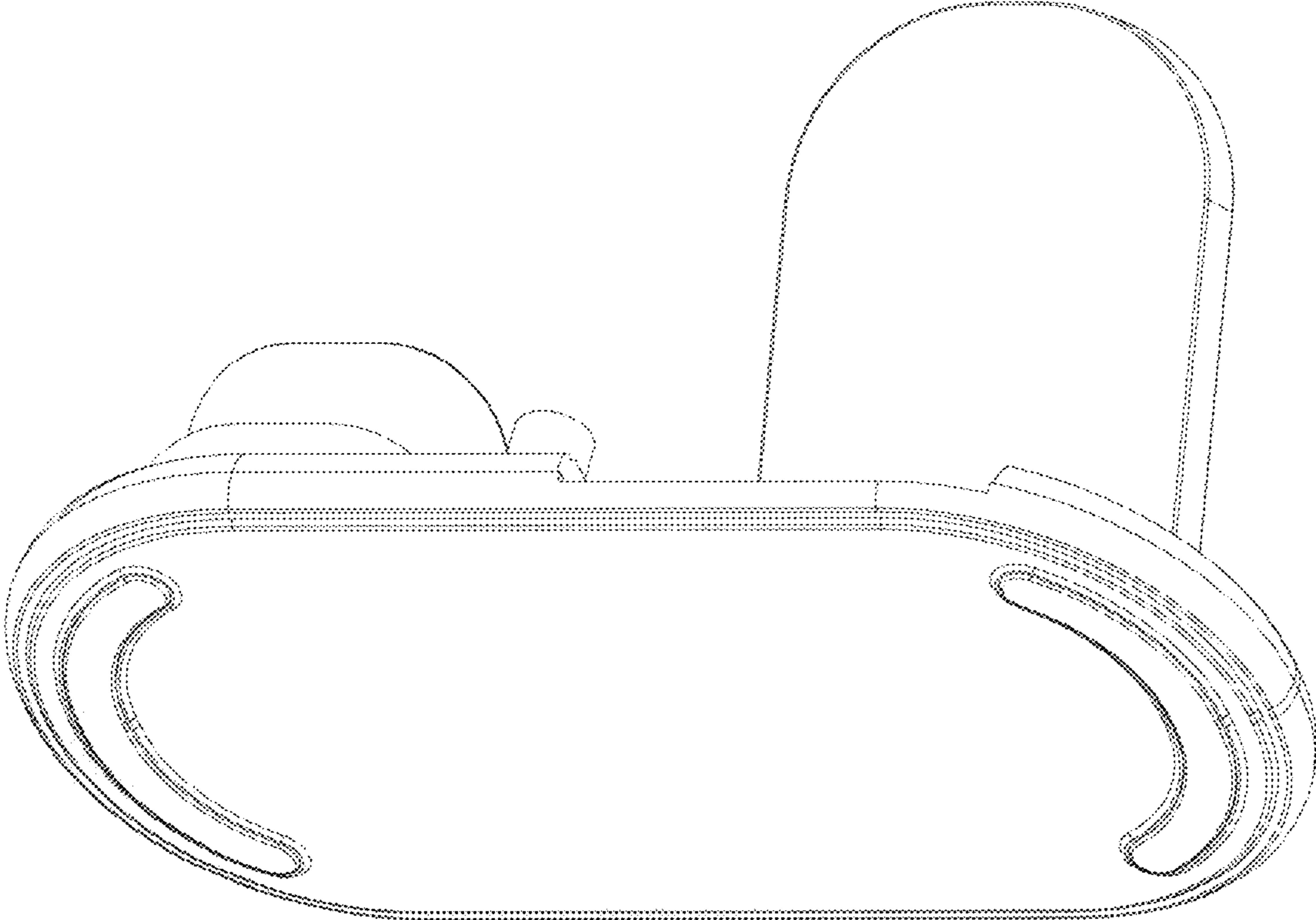


FIG.7

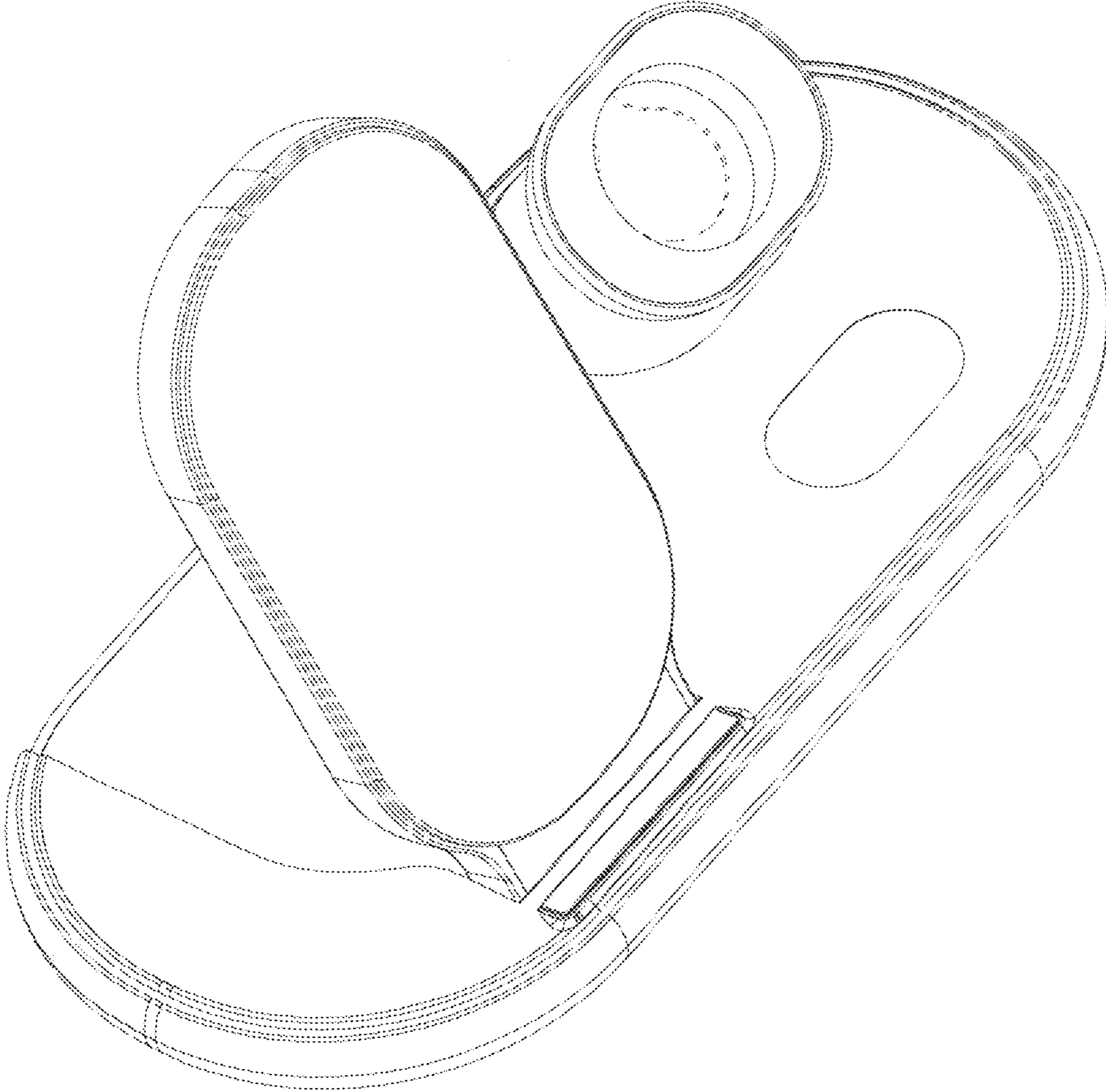


FIG.8

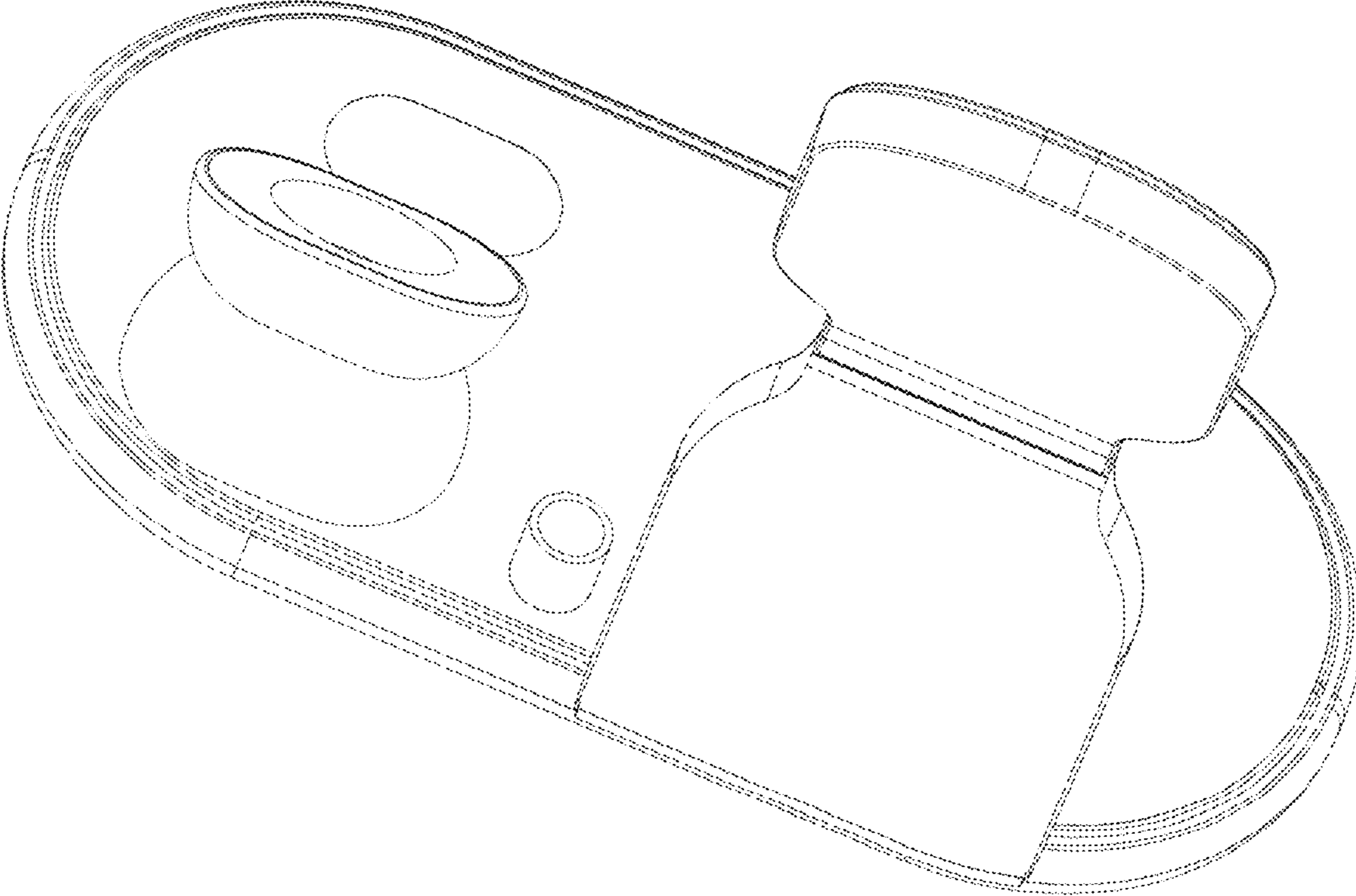


FIG.9