



US00D978794S

(12) **United States Design Patent**  
**He et al.**

(10) **Patent No.:** **US D978,794 S**

(45) **Date of Patent:** **\*\* Feb. 21, 2023**

(54) **EARPHONE CHARGER BOX**

(71) Applicant: **Shenzhen Thousandshores Technology Co., Ltd.**, Shenzhen (CN)

(72) Inventors: **Ding He**, Shenzhen (CN); **Zhi Liu**, Shenzhen (CN); **Zhenxing Pi**, Shenzhen (CN)

(73) Assignee: **Shenzhen Thousandshores Technology Co., Ltd.**, Shenzhen (CN)

(\*\*) Term: **15 Years**

(21) Appl. No.: **29/783,247**

(22) Filed: **May 12, 2021**

(51) **LOC (14) Cl.** ..... **13-02**

(52) **U.S. Cl.**  
USPC ..... **D13/108; D3/294**

(58) **Field of Classification Search**  
USPC ..... D13/103, 107, 108, 118, 119, 199;  
D3/201, 218, 273, 276, 294, 295, 299;  
D14/205, 223, 240, 432, 434, 439  
CPC . A45C 2011/001; B65D 43/16; H04R 1/1025  
See application file for complete search history.

(56) **References Cited**

U.S. PATENT DOCUMENTS

D846,264 S *	4/2019	Wu	.....	D3/201
D881,810 S *	4/2020	Zhang	.....	D13/108
D886,455 S *	6/2020	Williamson	.....	D3/294
D891,434 S *	7/2020	Lee	.....	D14/440
D891,773 S *	8/2020	Meyer	.....	D3/294
D936,040 S *	11/2021	Zhao	.....	D13/108
D941,580 S *	1/2022	Liu	.....	D3/274
D942,943 S *	2/2022	Huang	.....	D3/294
D946,513 S *	3/2022	Lin	.....	D13/108
D948,211 S *	4/2022	Wu	.....	D3/294

2019/0069066 A1 *	2/2019	Song	.....	E05C 19/16
2022/0192335 A1 *	6/2022	Maguire	.....	A45C 13/1069
2022/0224167 A1 *	7/2022	Jang	.....	H02J 50/10

OTHER PUBLICATIONS

“Tribit FlyBuds”. Found online Sep. 27, 2022 at youtube.com. Reference dated Oct. 6, 2021. Retrieved from <https://www.youtube.com/watch?v=fRixooOylHw>. (Year: 2021).\*

“Tribit 100H Earbuds”. Found online Sep. 27, 2022 at amazon.com. Reference dated Jun. 21, 2020. Retrieved from <https://www.amazon.com/Tribit-FlyBuds-Wireless-Earbuds-Waterproof/dp/B088LW4JKR?th=1>. (Year: 2020).\*

“Shaba TWS Wireless Earbuds with Charging Box”. Found online Dec. 8, 2020 at amazon.com. Reference dated Jan. 12, 2018. Retrieved from <https://www.amazon.com/SHABA-Wireless-Invisible-Wearable-Charging/dp/B078Z7G7F1?th=1>. (Year: 2018).\*

\* cited by examiner

*Primary Examiner* — Kendra Leslie Hamilton

*Assistant Examiner* — Amanda Christensen

(57) **CLAIM**

The ornamental design for an earphone charger box, as shown and described.

**DESCRIPTION**

FIG. 1 is a perspective view of an earphone charger box, showing our new design;

FIG. 2 is another perspective view thereof;

FIG. 3 is a front view thereof;

FIG. 4 is a rear view thereof;

FIG. 5 is a left side view thereof;

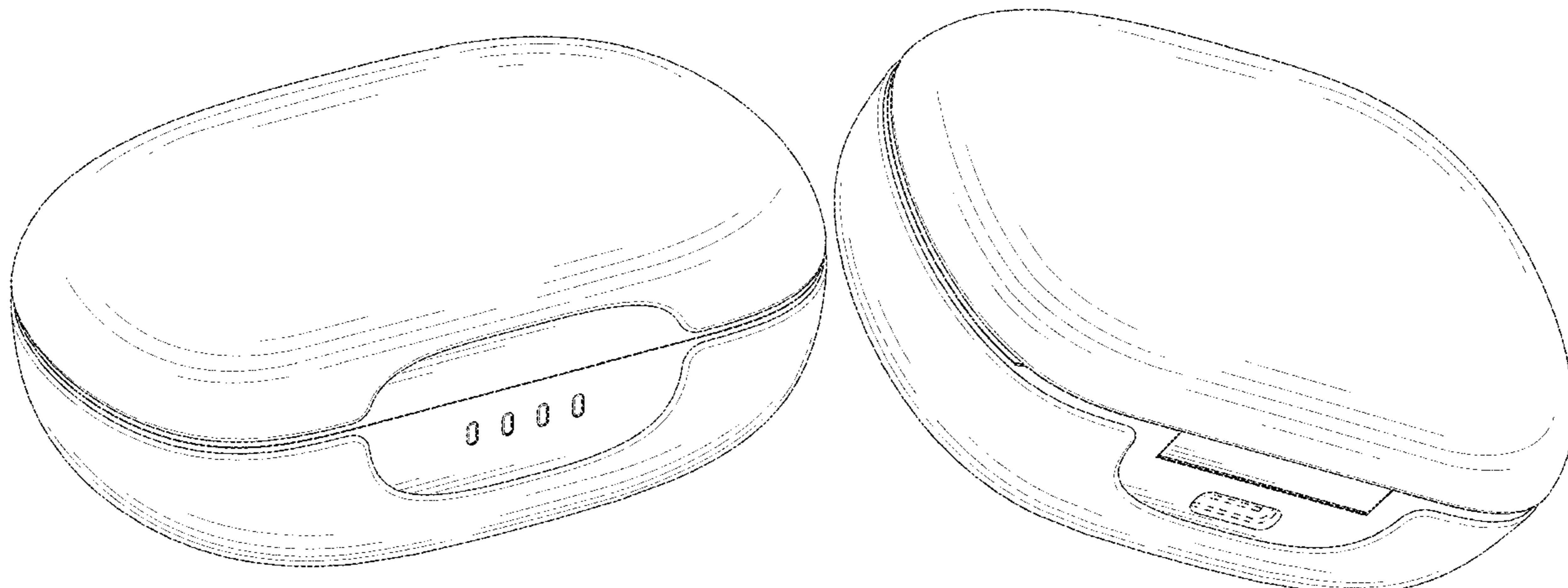
FIG. 6 is a right side view thereof;

FIG. 7 is a top plan view thereof; and,

FIG. 8 is a bottom plan view thereof.

The broken lines in the figures illustrate portions of the earphone charger box that form no part of the claimed design.

**1 Claim, 8 Drawing Sheets**



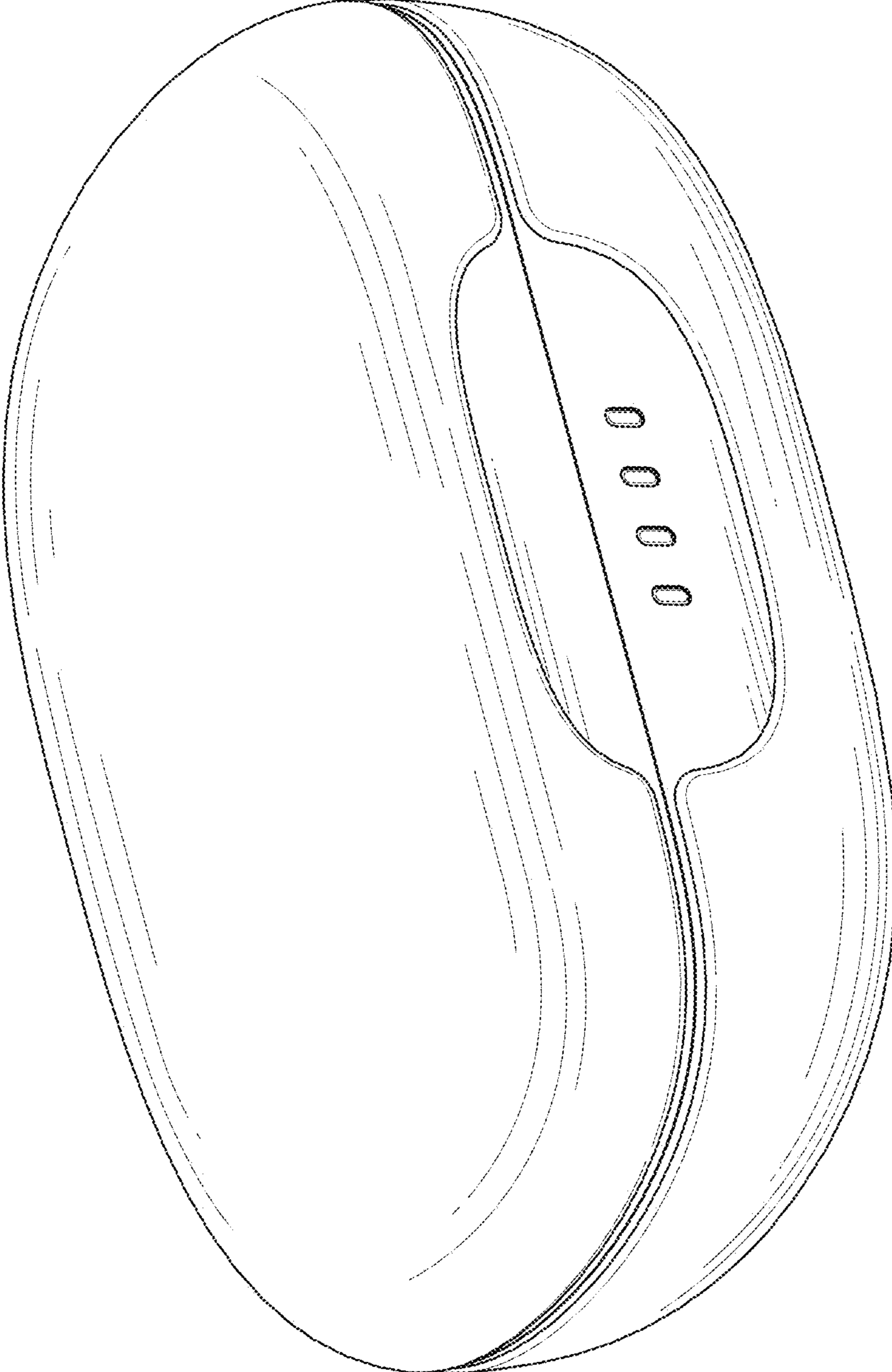


FIG. 1

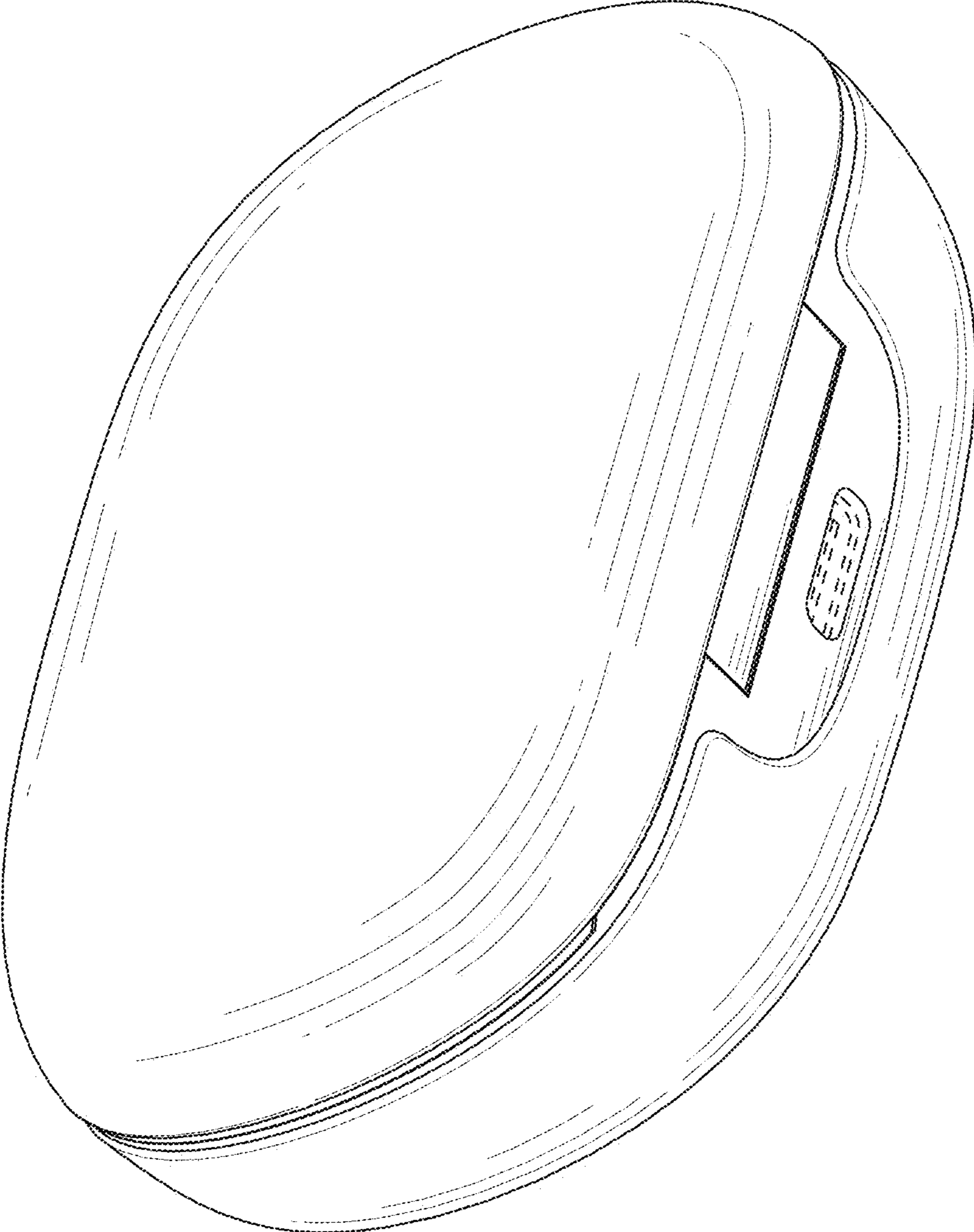


FIG. 2

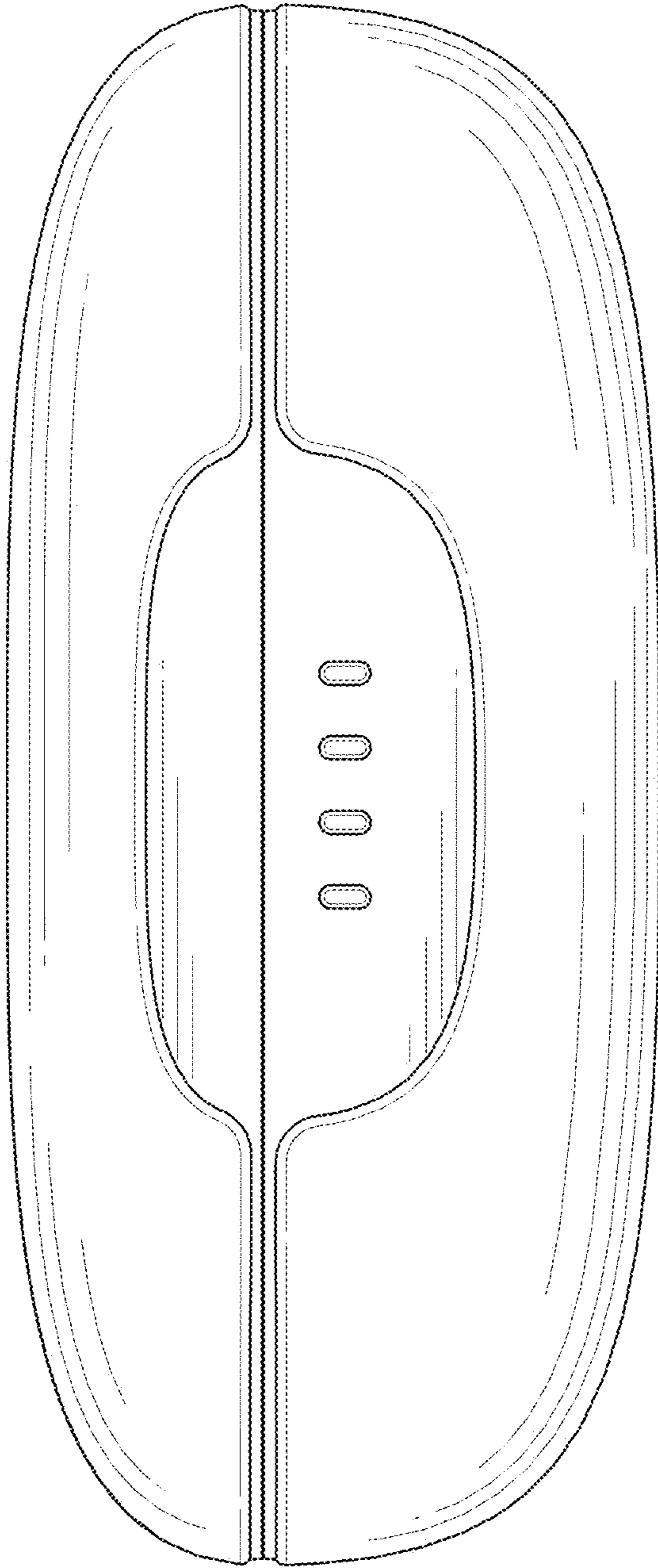


FIG. 3



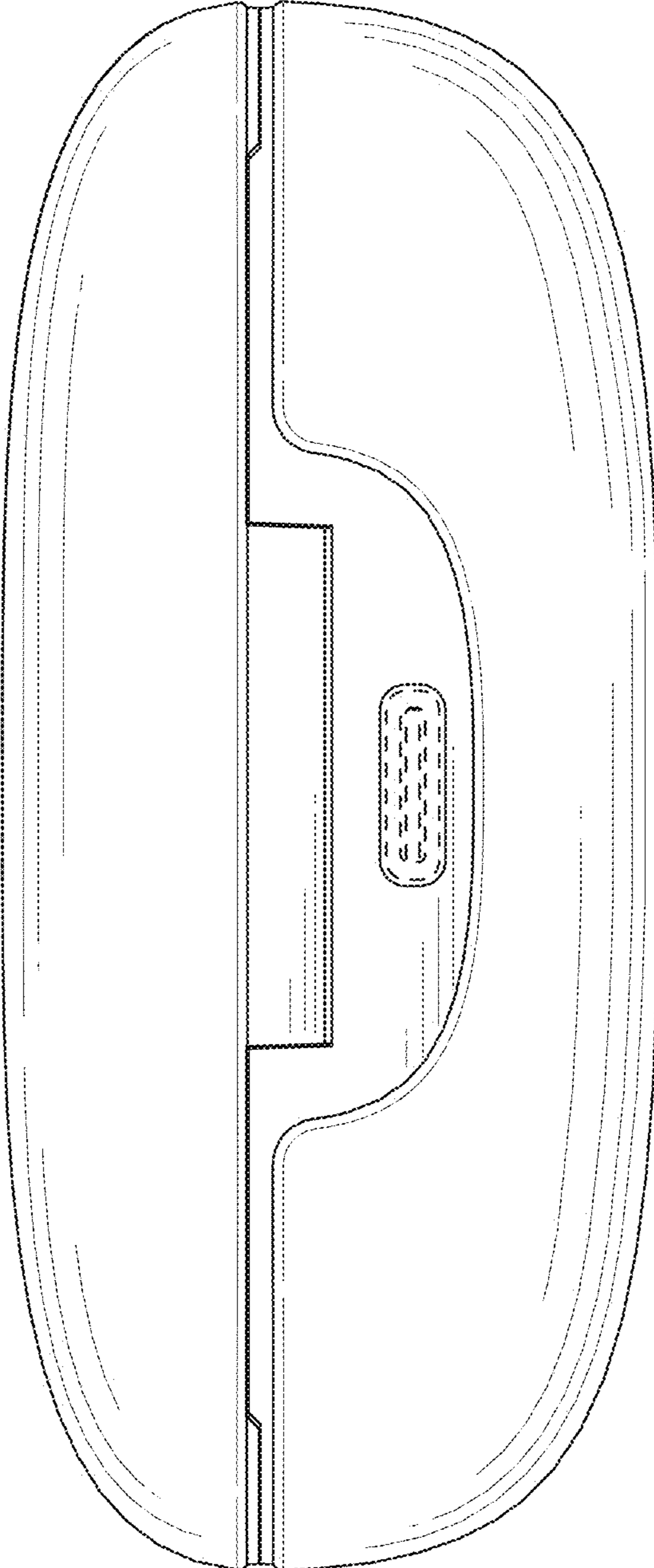


FIG. 4

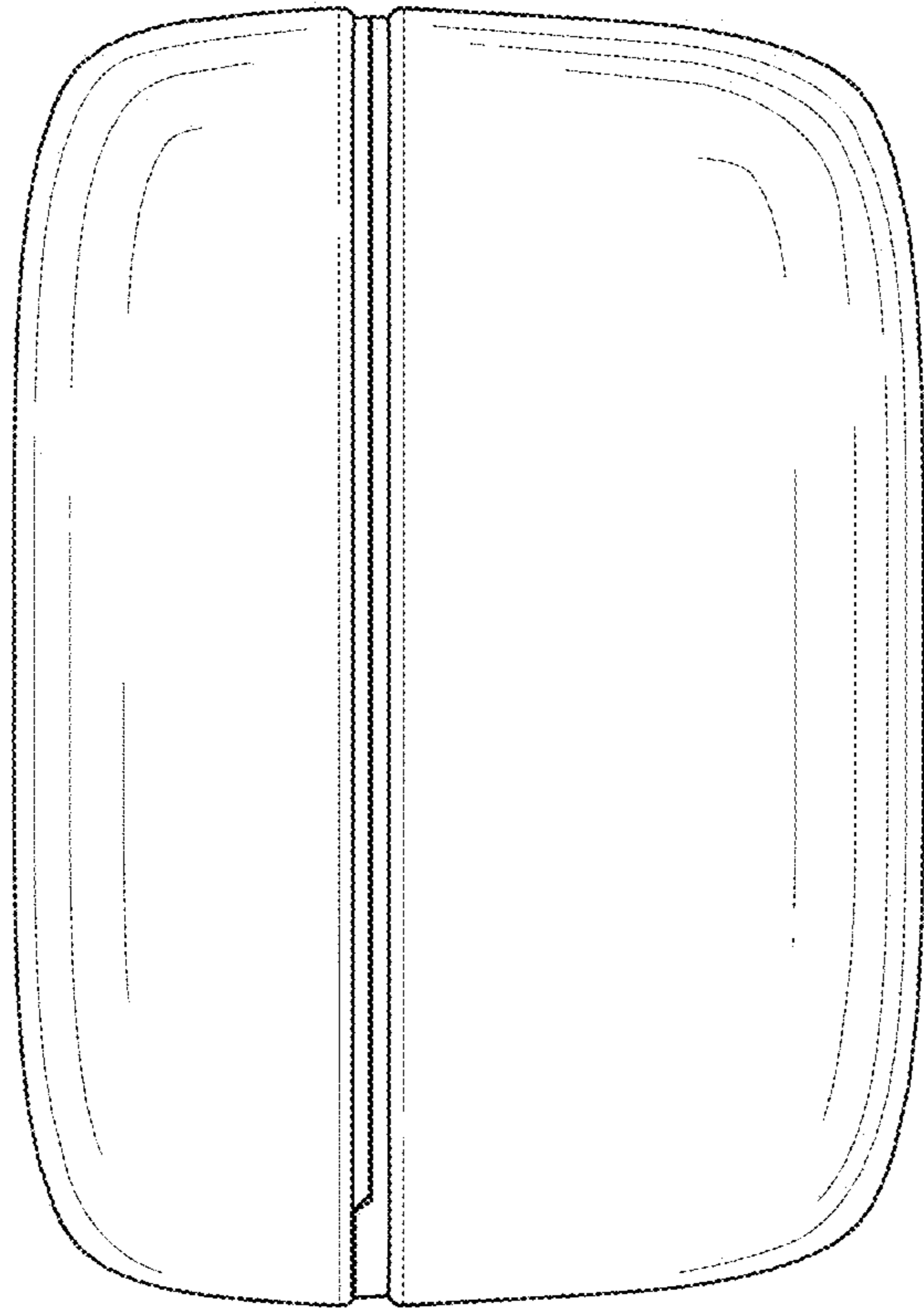


FIG. 5

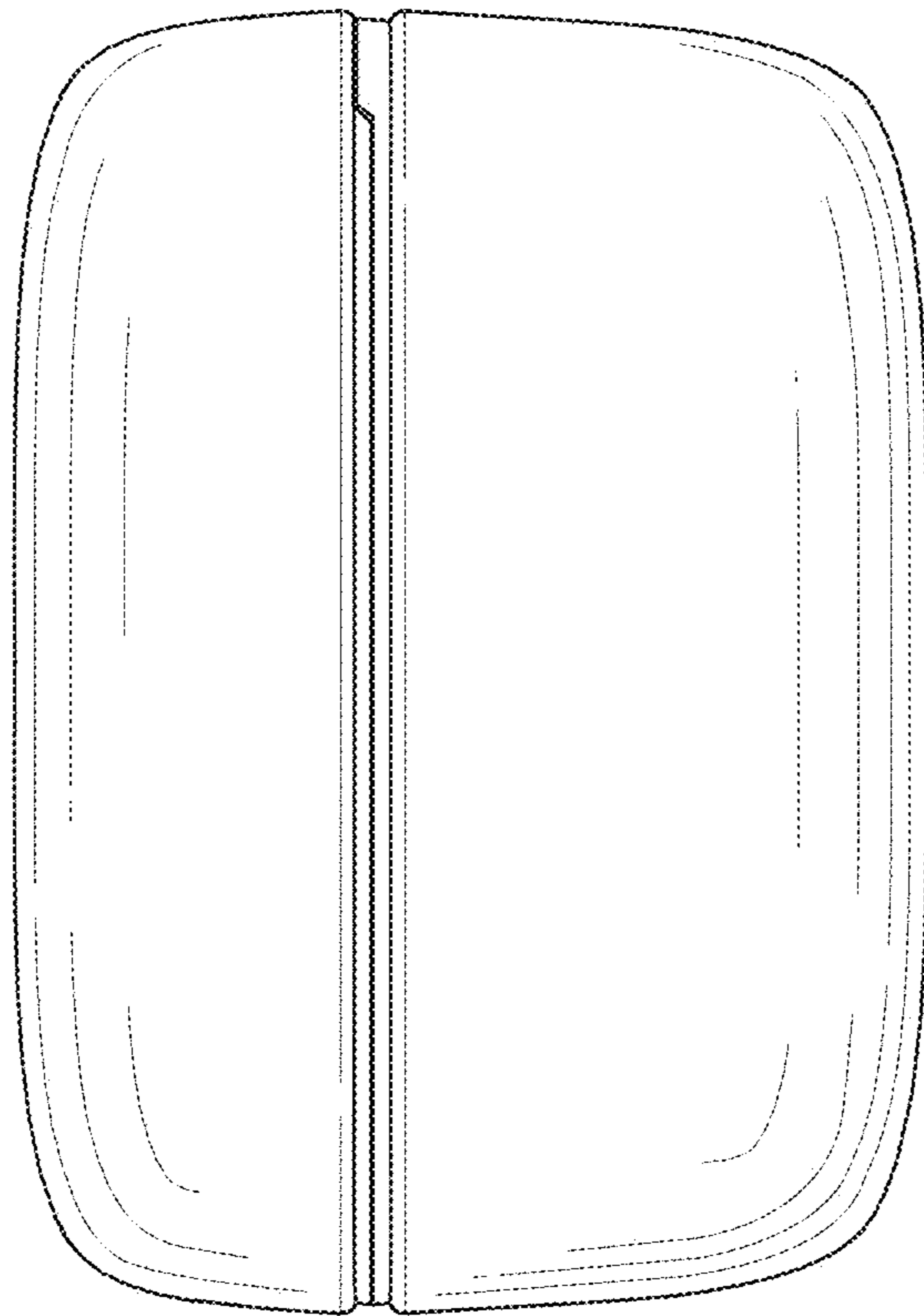


FIG. 6

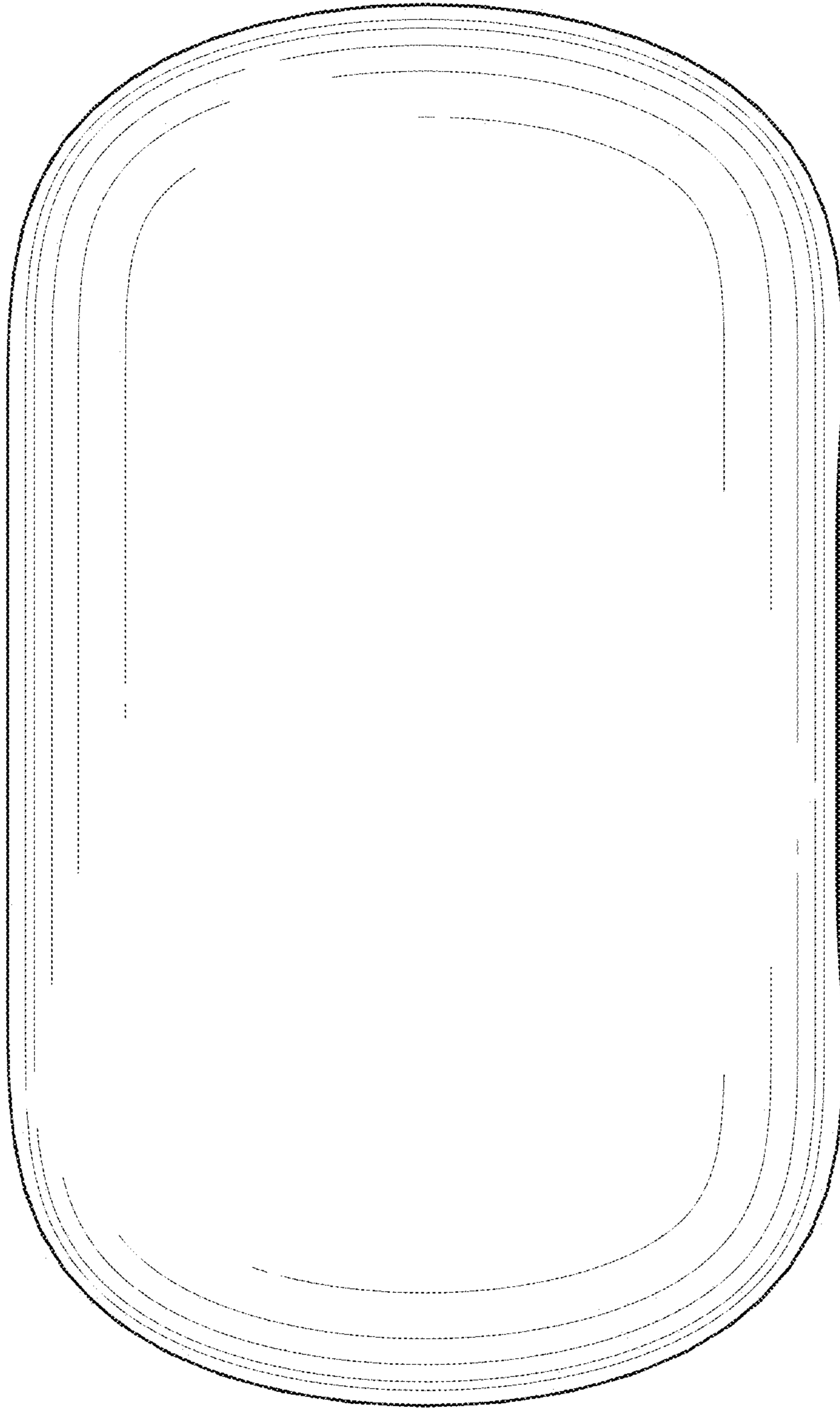


FIG. 7



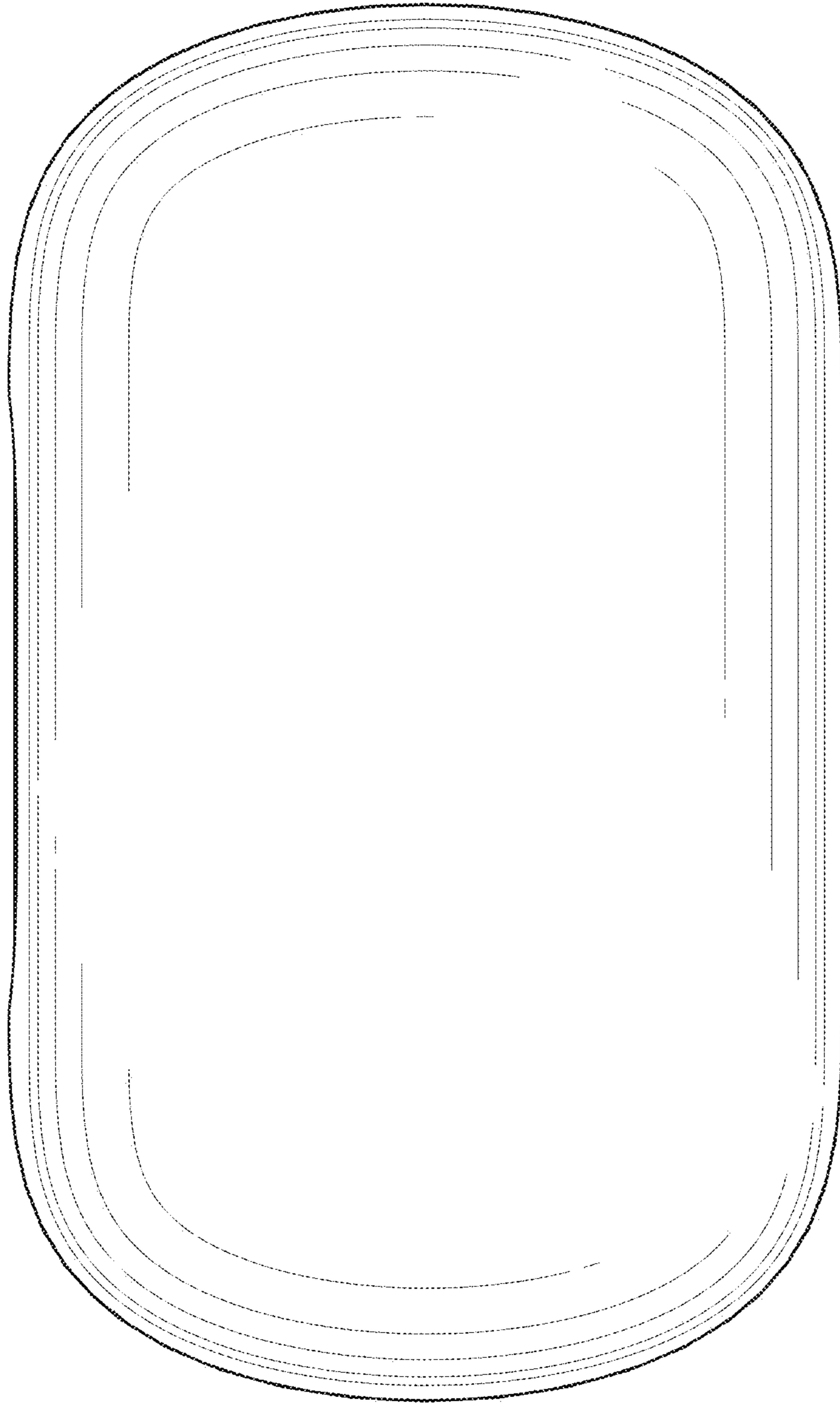


FIG. 8