



US00D978792S

(12) **United States Design Patent**
Liao

(10) **Patent No.:** **US D978,792 S**

(45) **Date of Patent:** **** Feb. 21, 2023**

(54) **WIRELESS PORTABLE POWER SOURCE**

(71) Applicant: **Xiuqiang Huang**, Meizhou (CN)

(72) Inventor: **Zhuowen Liao**, Shenzhen (CN)

(**) Term: **15 Years**

(21) Appl. No.: **29/764,491**

(22) Filed: **Dec. 30, 2020**

(30) **Foreign Application Priority Data**

Oct. 27, 2020 (CN) 202030643320.5

(51) **LOC (14) Cl.** **13-02**

(52) **U.S. Cl.**
USPC **D13/108**

(58) **Field of Classification Search**

USPC D13/103, 107, 108, 118, 119, 183, 184,
D13/199; D14/251, 253, 432, 433, 434,
D14/439, 447

CPC H04B 1/3877; H02J 7/0027; H04M 1/026
See application file for complete search history.

(56) **References Cited**

U.S. PATENT DOCUMENTS

D679,271 S * 4/2013 Liu D13/103
D749,069 S * 2/2016 Senoff D14/251
9,917,937 B1 * 3/2018 Fathollahi H04B 1/3888
D815,593 S * 4/2018 Alves D13/103
D816,029 S * 4/2018 Dai D13/103
D881,122 S * 4/2020 Yao D13/103
D908,610 S * 1/2021 Woo D13/103

(Continued)

OTHER PUBLICATIONS

“Kenu Bingebank Power Bank”. Found online Jun. 14, 2022 at amazon.com. Reference dated Jul. 5, 2019. Retrieved from https://www.amazon.com/dp/B07TZRC4F5. (Year: 2019).*

(Continued)

Primary Examiner — Kendra Leslie Hamilton

Assistant Examiner — Amanda Christensen

(74) *Attorney, Agent, or Firm* — Wolf, Greenfield & Sacks, P.C.

(57) **CLAIM**

The ornamental design for a wireless portable power source, as shown and described.

DESCRIPTION

FIG. 1 is a top, front, right side perspective view of a wireless portable power source, shown in a first configuration;

FIG. 2 is a bottom, rear, left side perspective view thereof;

FIG. 3 is a front view thereof;

FIG. 4 is a rear view thereof;

FIG. 5 is a left side view thereof;

FIG. 6 is a right side view thereof;

FIG. 7 is a bottom view thereof;

FIG. 8 is a top view thereof;

FIG. 9 is a top, front, right side perspective view of the wireless portable power source, shown in a second configuration;

FIG. 10 is a bottom, rear, left side view thereof;

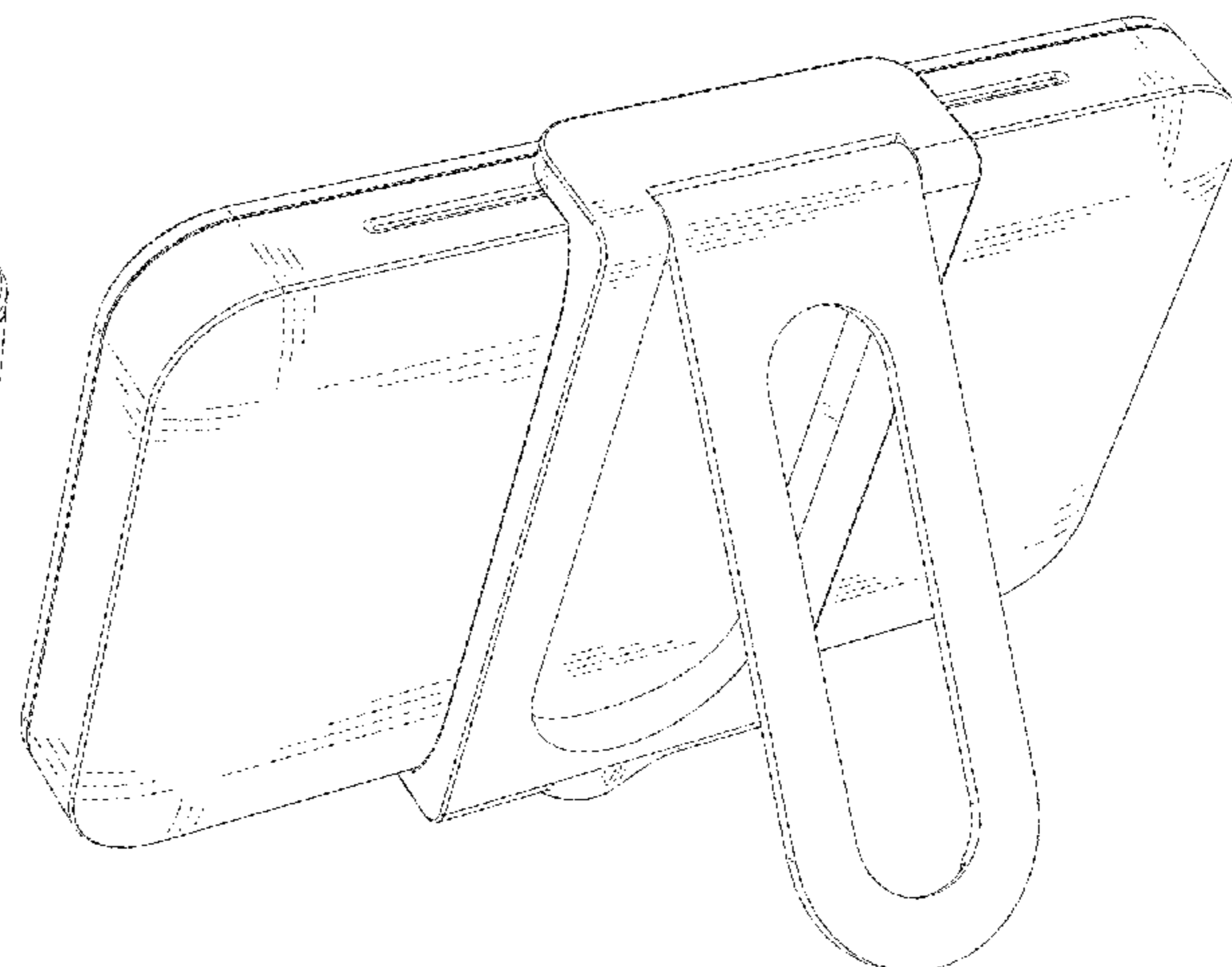
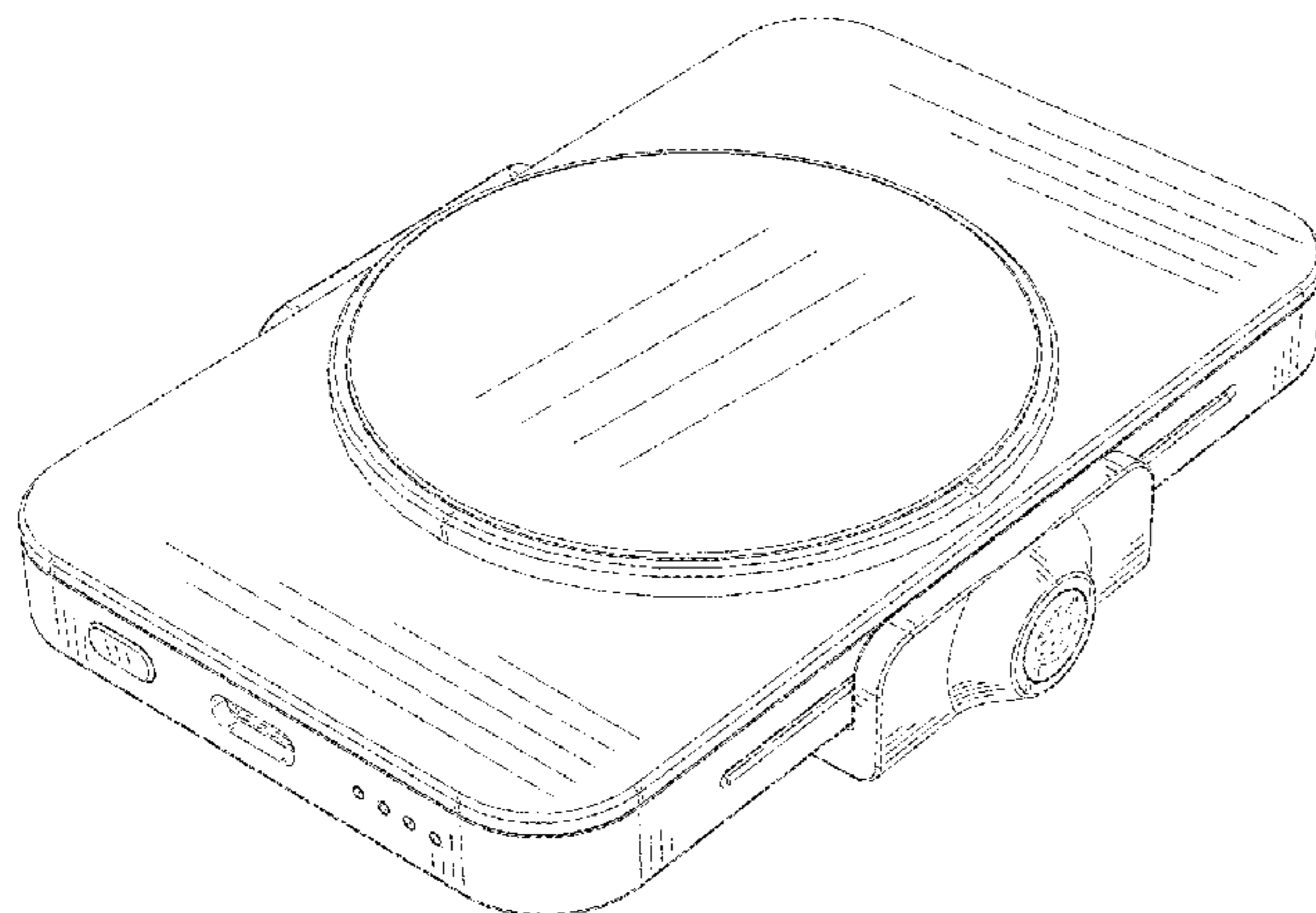
FIG. 11 is a bottom, rear, left side perspective view of the wireless portable power source, shown in a third configuration;

FIG. 12 is a top, rear, left side perspective view thereof; and,

FIG. 13 is a bottom, front, left side perspective view of the wireless portable power source, shown in the first configuration and in a condition of use.

The broken lines on the wireless portable power source depict portions of the wireless portable power source that form no part of the claimed design. The broken lines showing a tripod stand in FIG. 13 depict environmental subject matter only, and form no part of the claimed design.

1 Claim, 13 Drawing Sheets



(56)

References Cited

U.S. PATENT DOCUMENTS

D909,968 S * 2/2021 Chen D13/108
D940,654 S * 1/2022 Lin D13/108
D947,766 S * 4/2022 Lu D13/108
2018/0041237 A1 * 2/2018 Mody H04B 1/3888
2018/0248580 A1 * 8/2018 Edman H04B 1/3877
2020/0322468 A1 * 10/2020 Hogue H04B 1/3888

OTHER PUBLICATIONS

“Mr Ylls Cell Phone Ring Holder Stand”. Found online Sep. 8, 2021 at amazon.com. Reference dated Oct. 16, 2019. Retrieved from https://www.amazon.com/MR-YLLS-Universal-Kickstand-360%C2%B0Rotation/dp/B07Z63MQF1/ref=asc_df_B07Z63MQF1/. (Year: 2019).*

“MyCharge Wireless Charger”. Found online Dec. 15, 2021 at amazon.com. Reference dated Apr. 26, 2018. Retrieved from <https://www.amazon.com/myCharge-Wireless-Portable-10000mAh-Certified/dp/B07CP3JSKL>. (Year: 2018).*

* cited by examiner

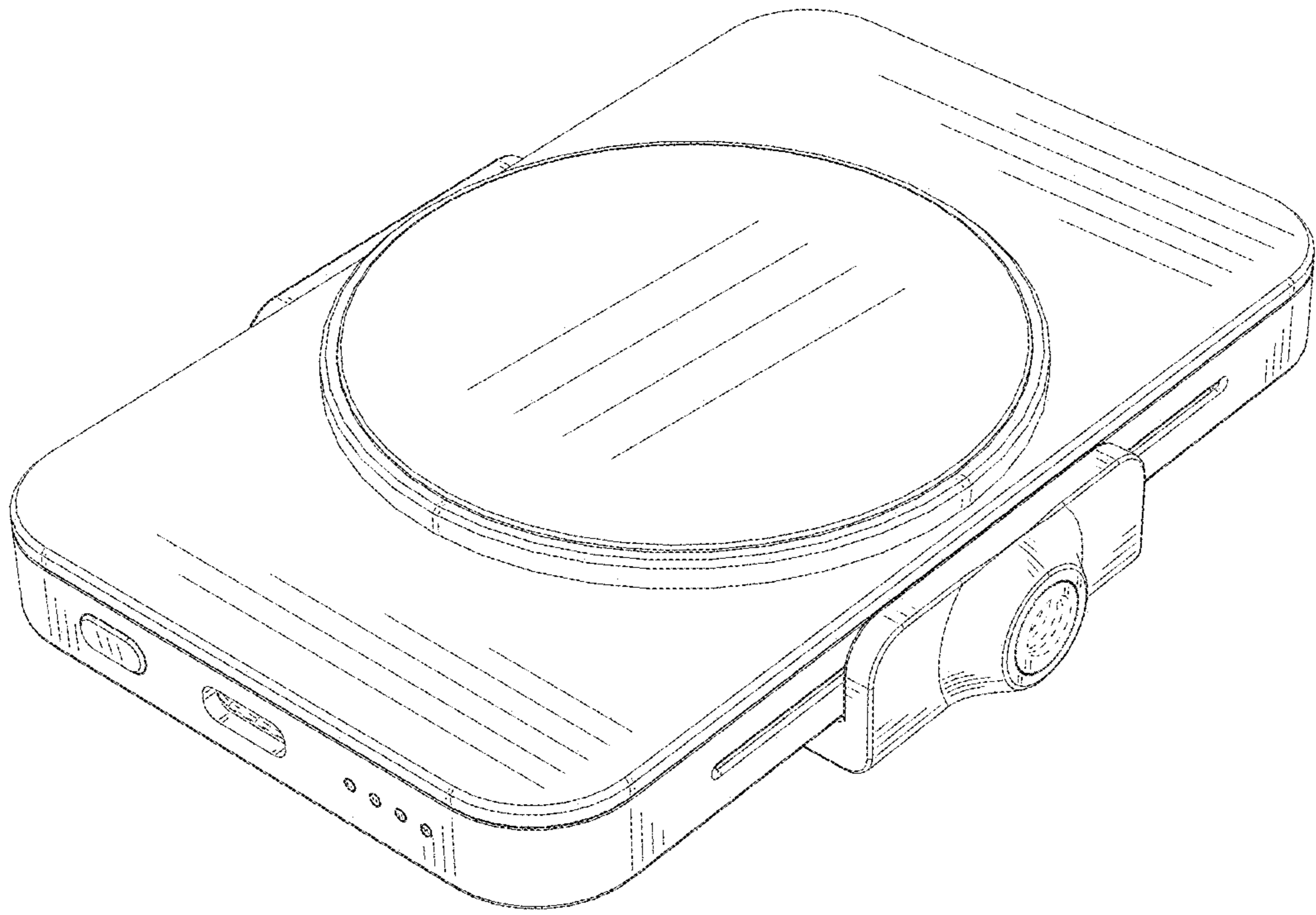


FIG.1

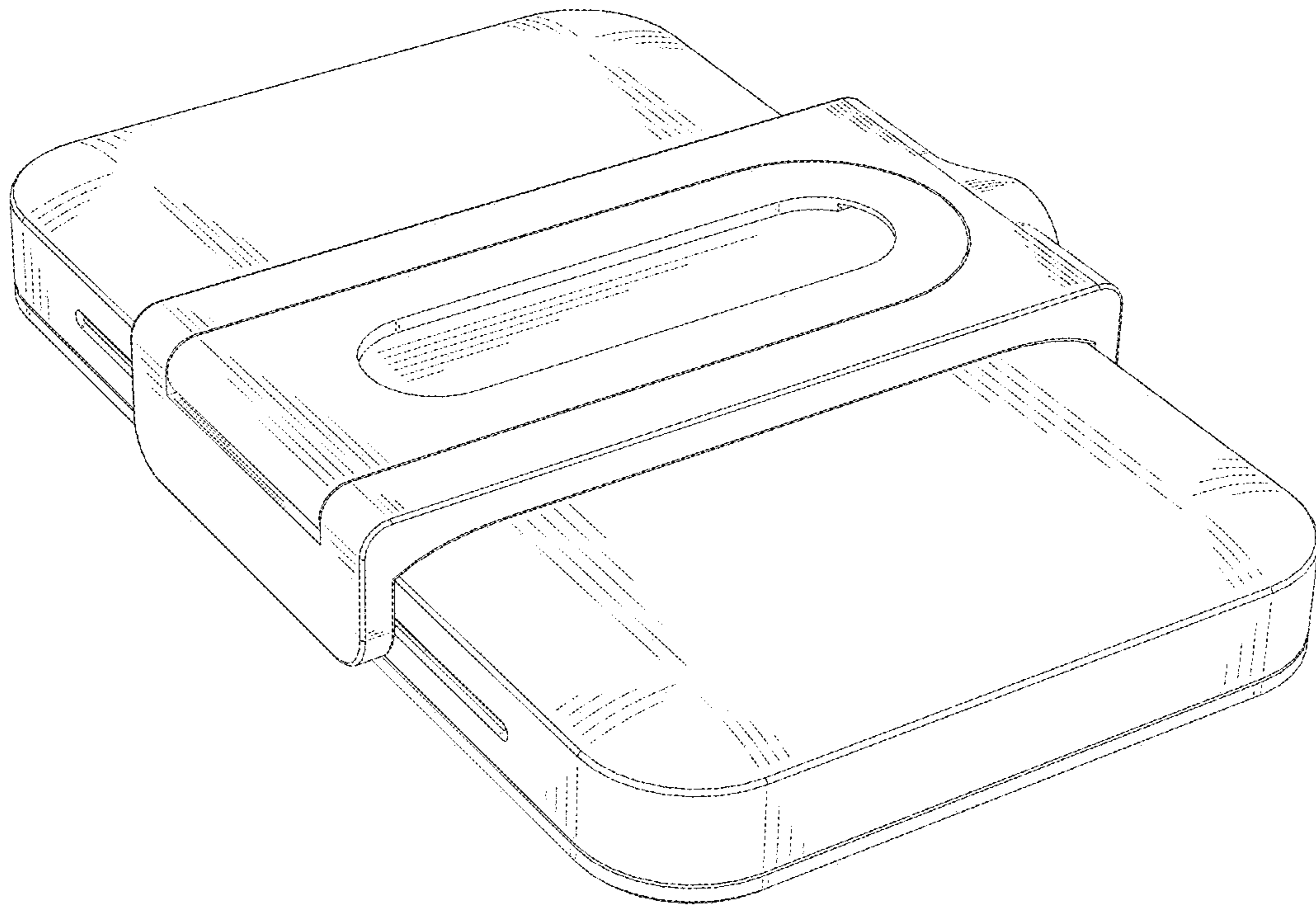


FIG.2

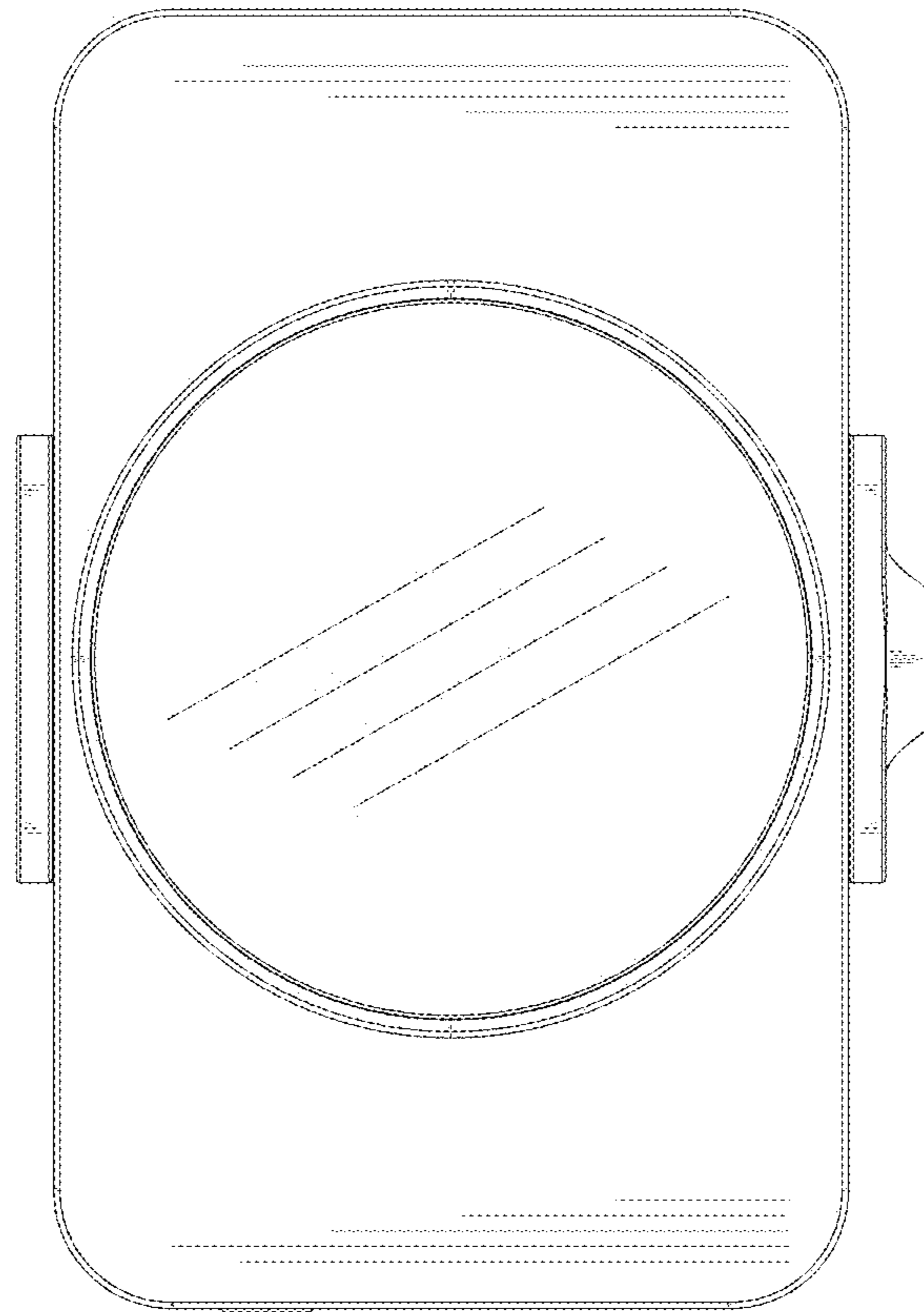


FIG. 3

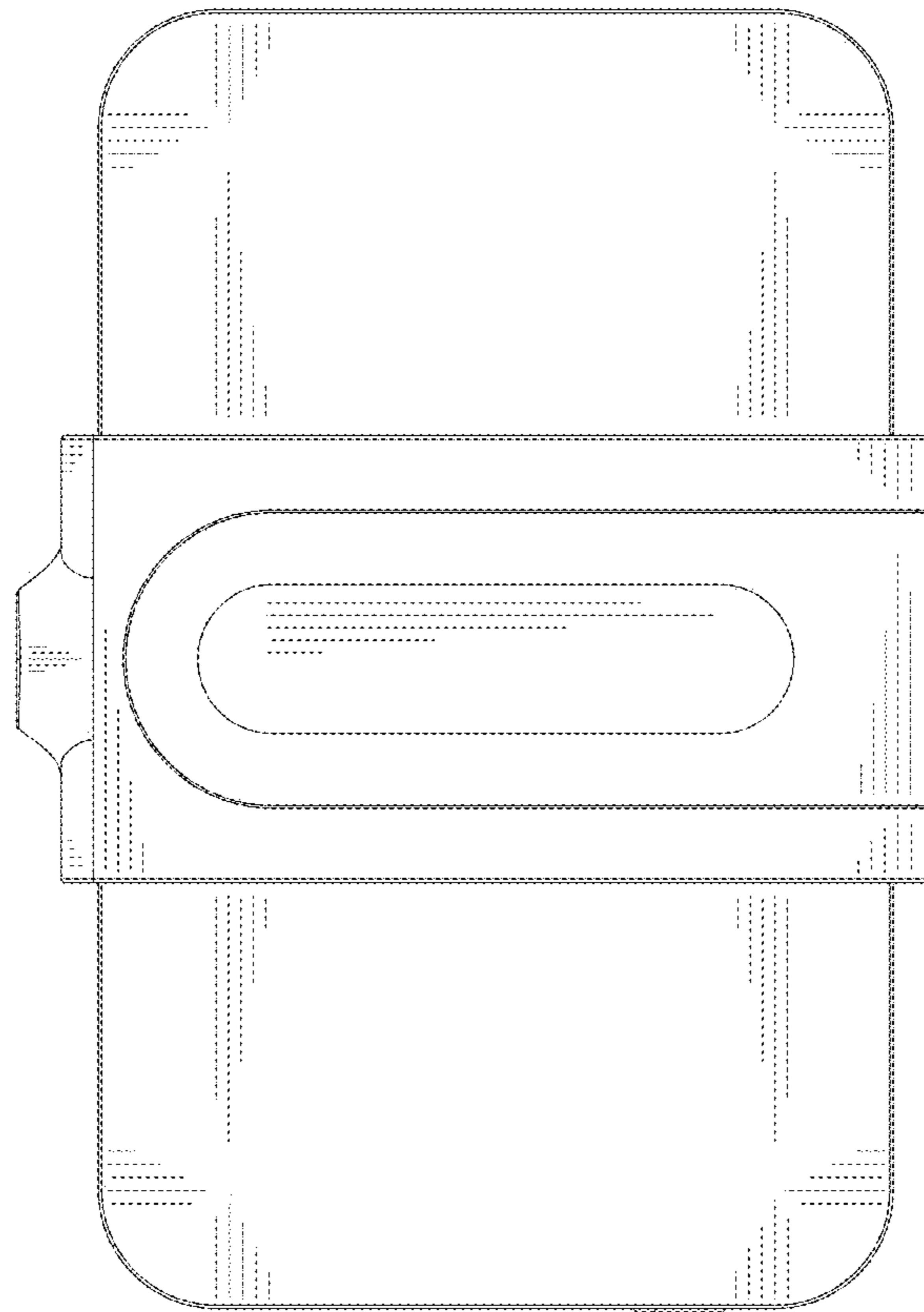


FIG. 4

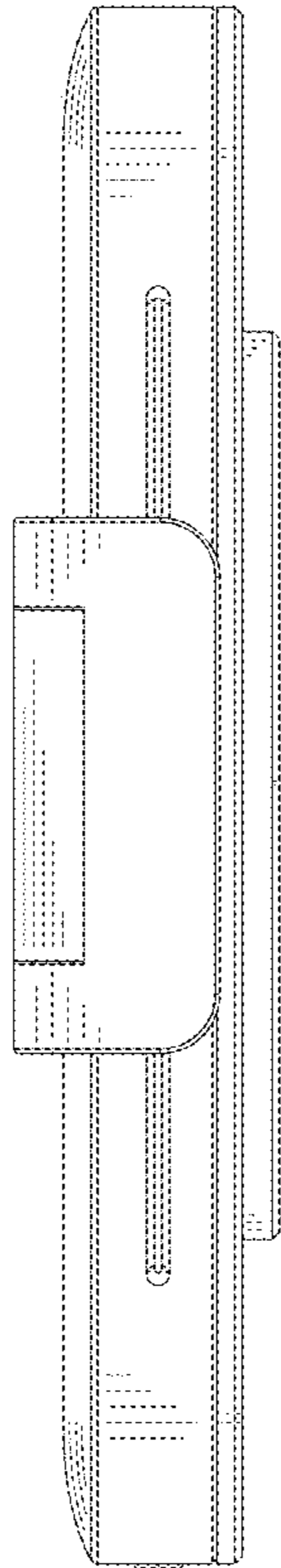


FIG. 5

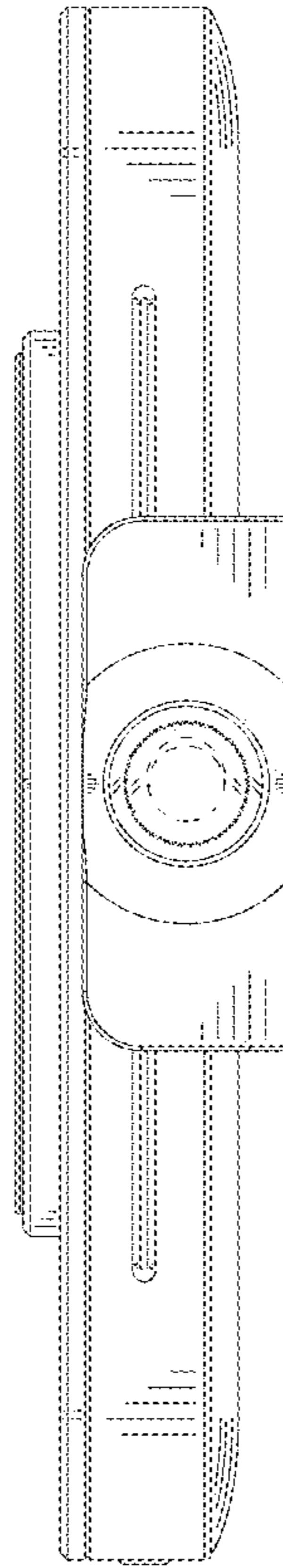


FIG.6

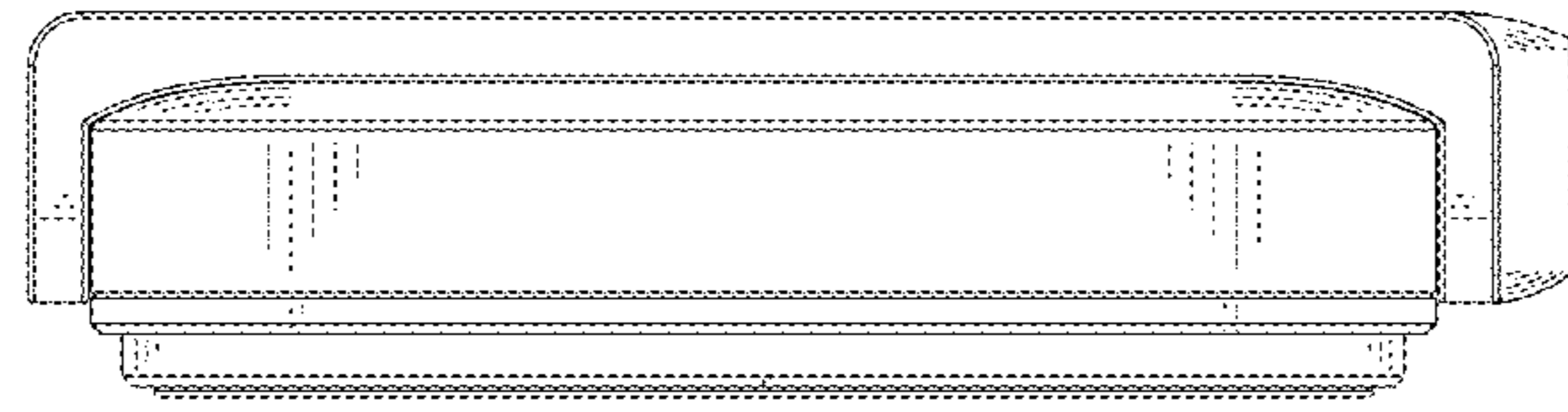


FIG. 7

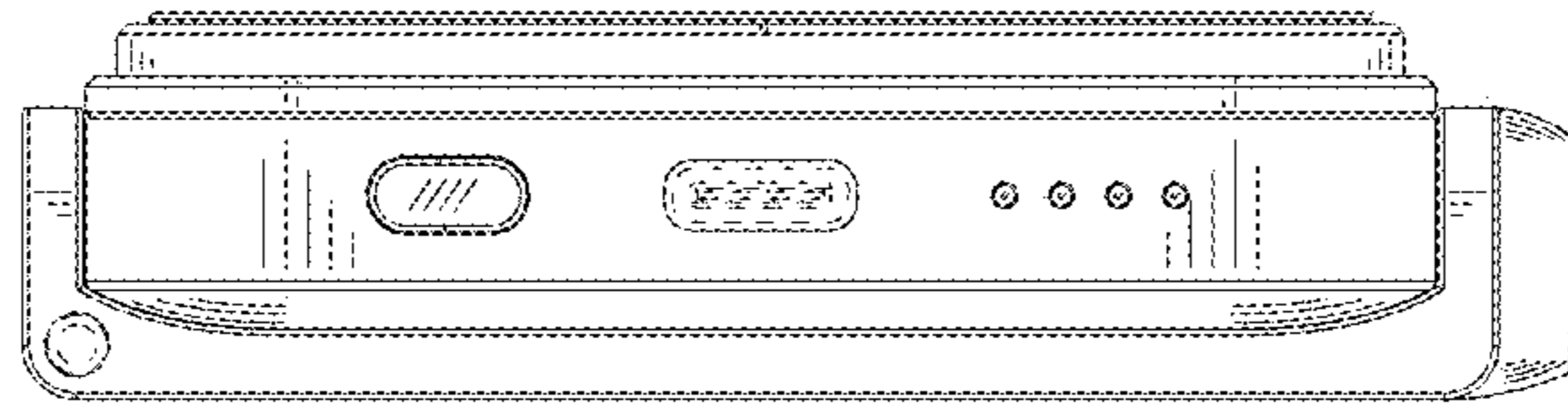


FIG.8

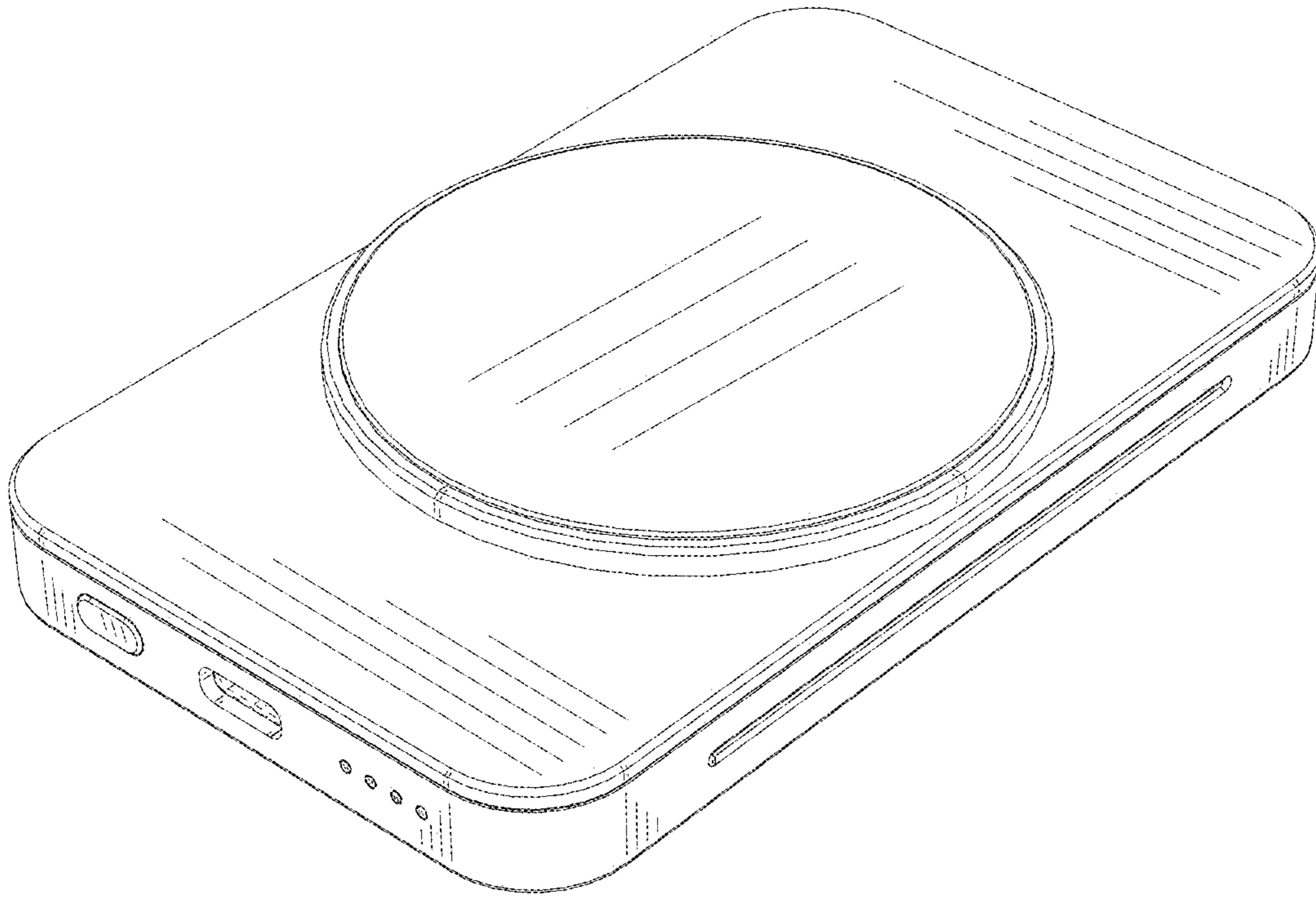


FIG.9

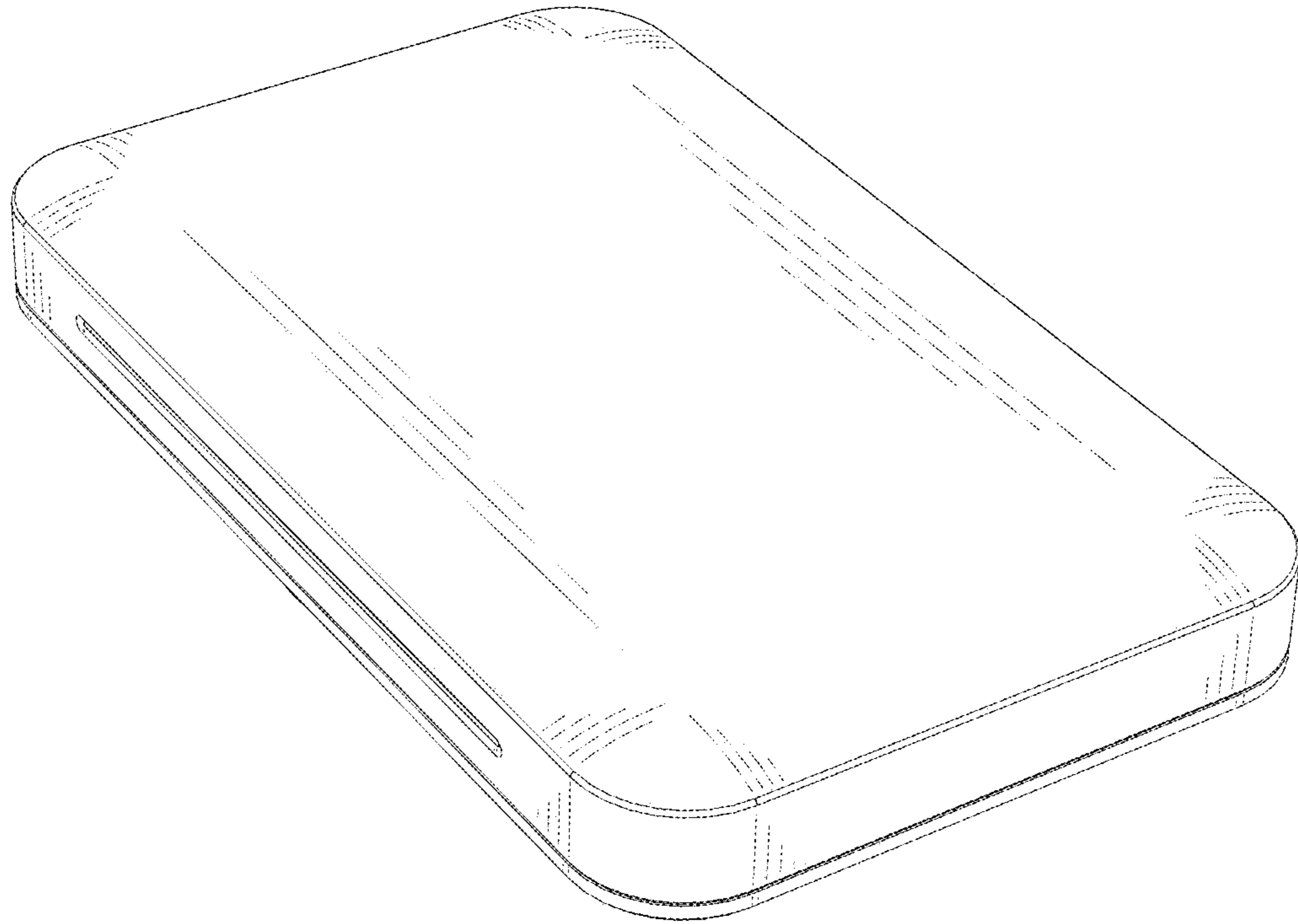


FIG. 10

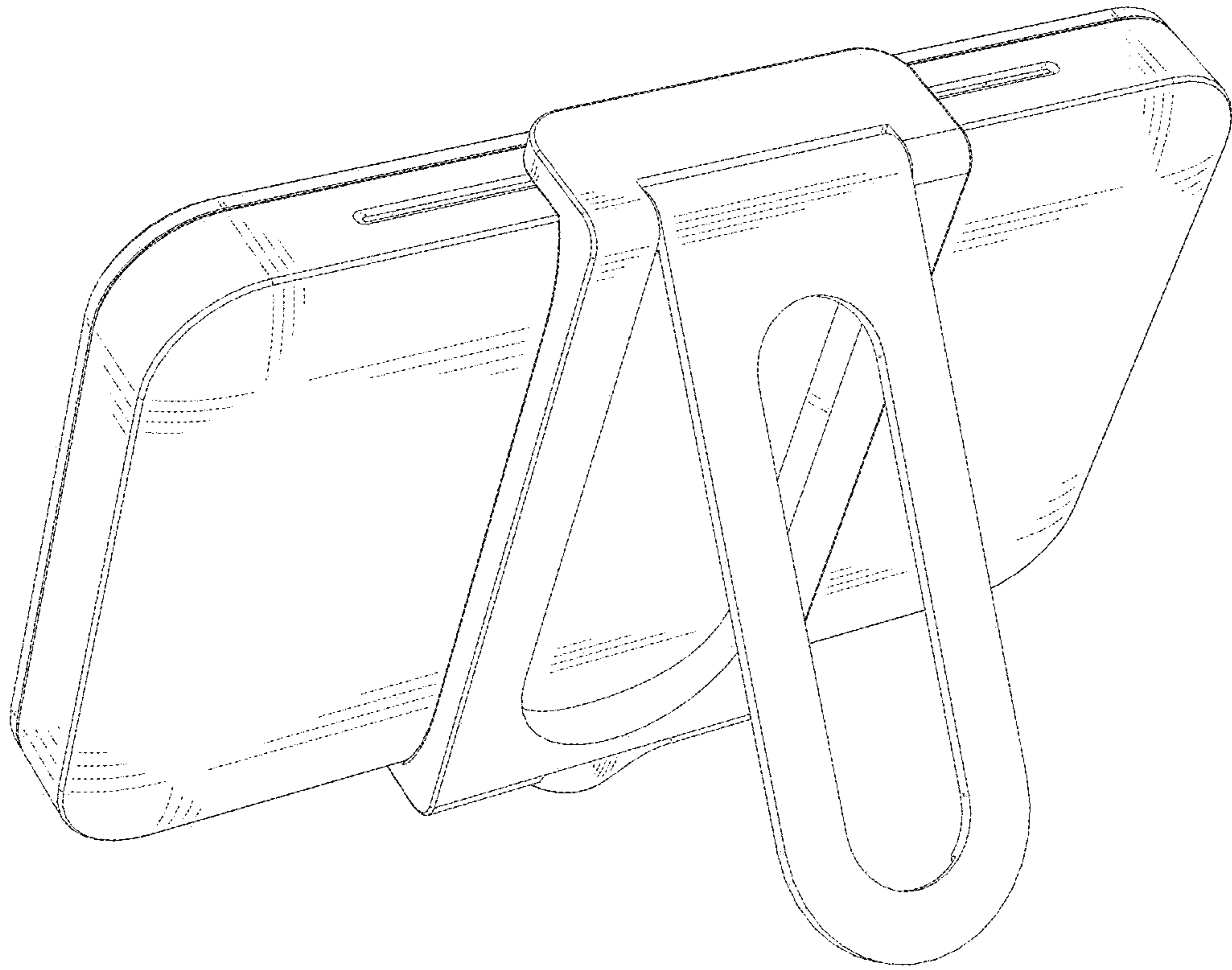


FIG.11

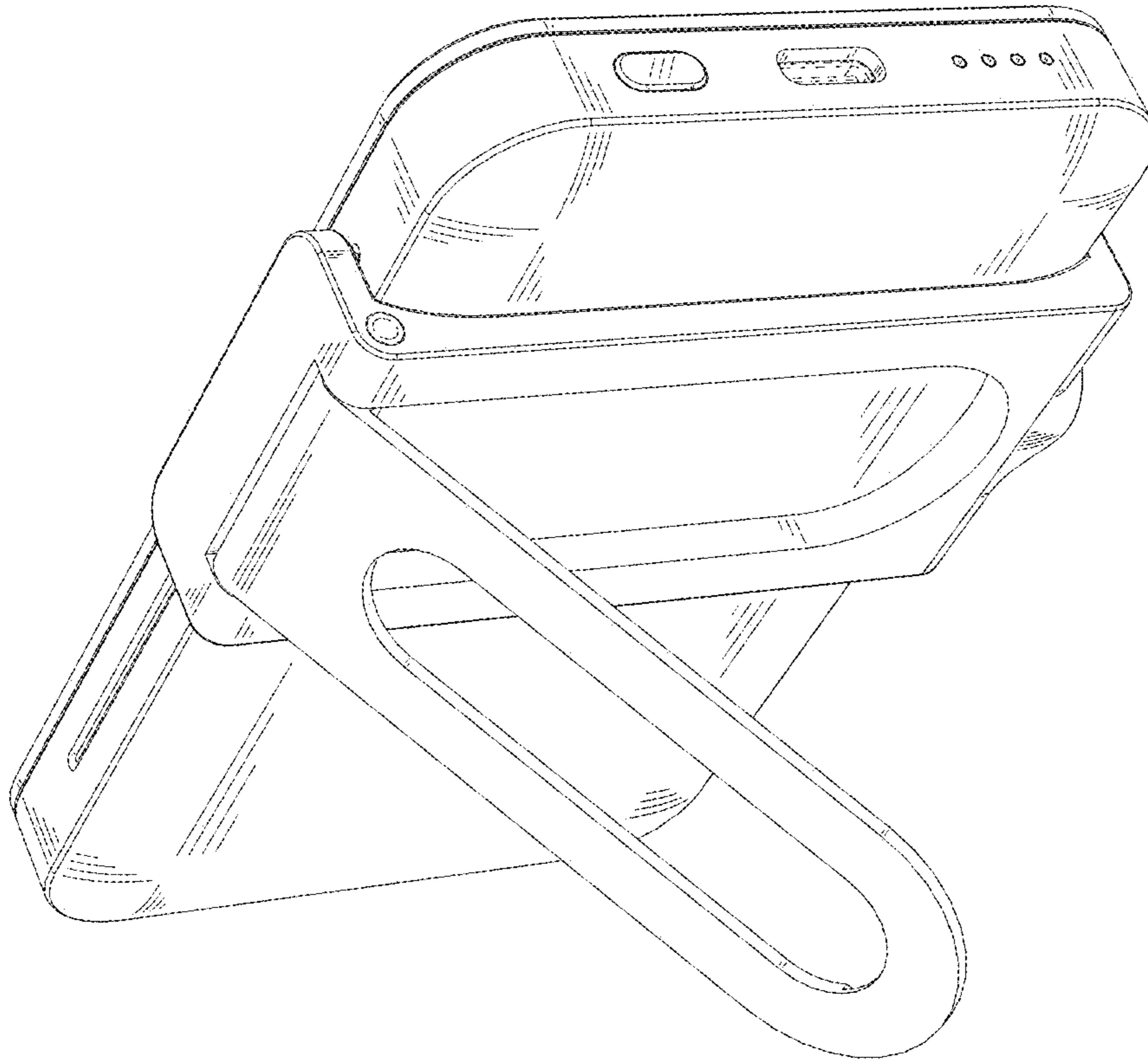


FIG.12

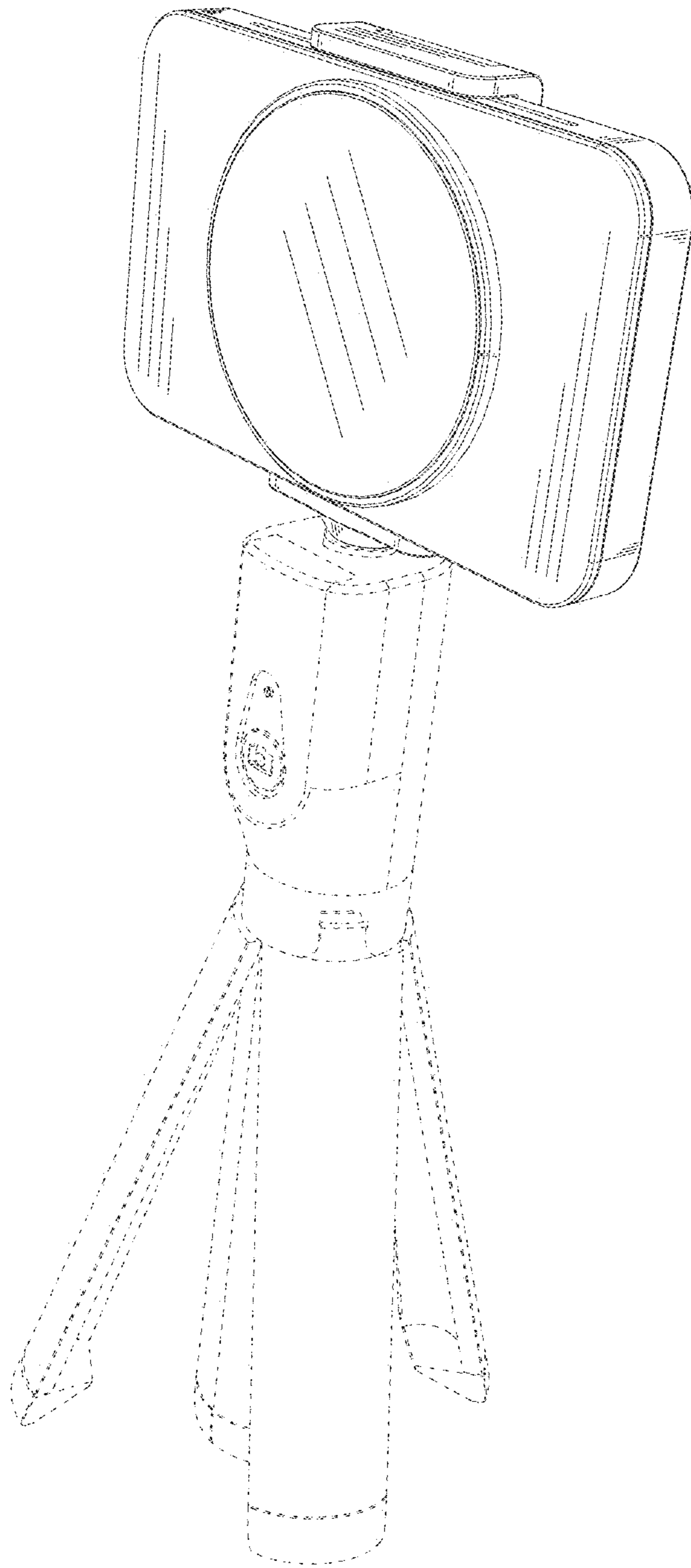


FIG. 13